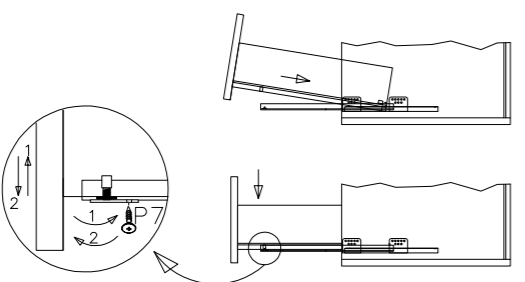
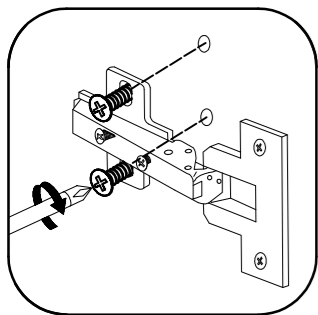
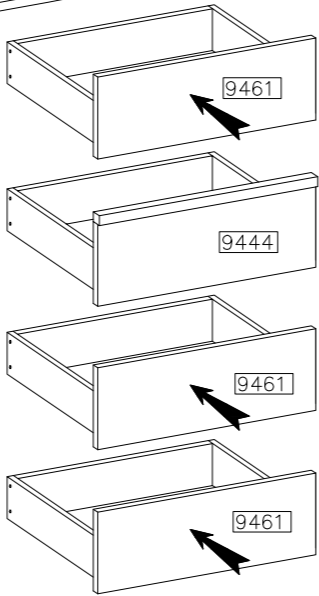
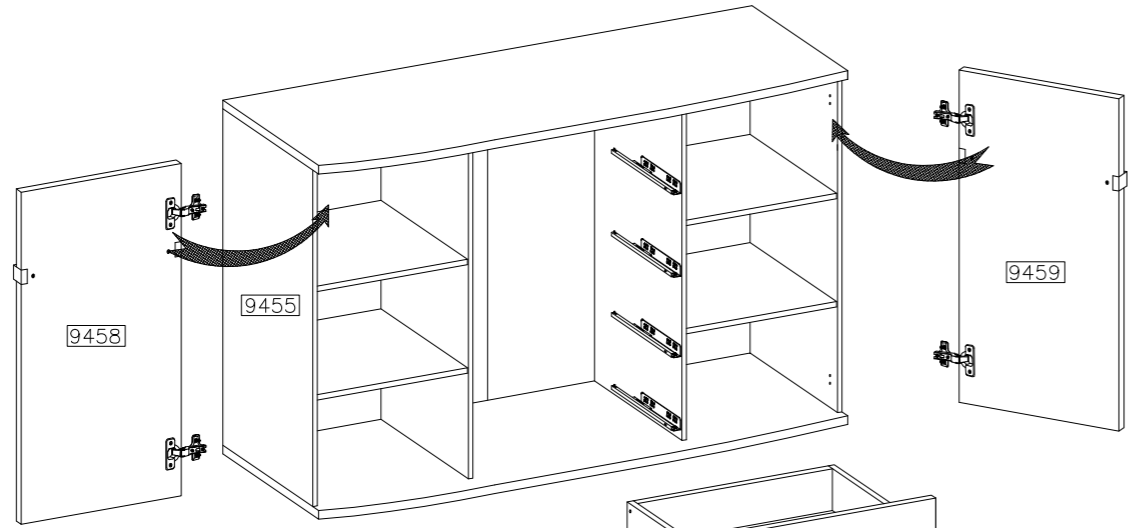
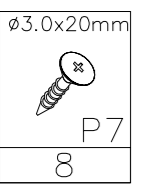
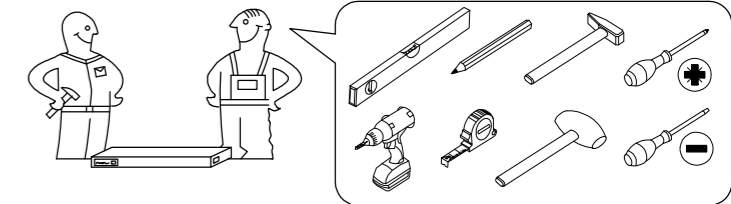


21

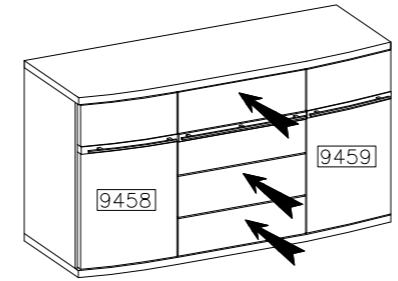


PUSH TO OPEN

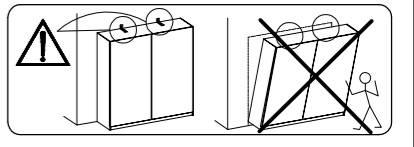
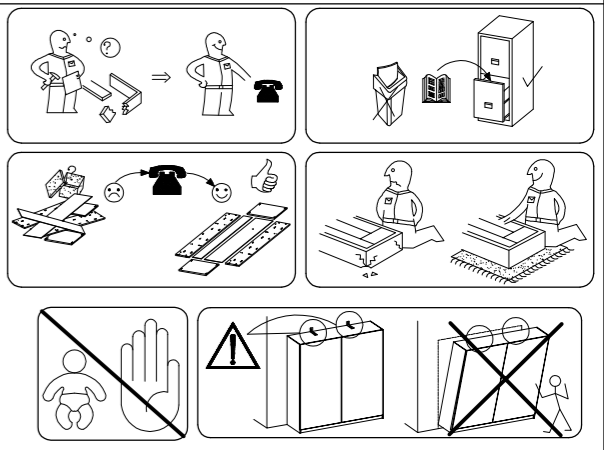
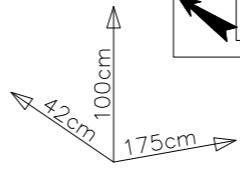
CANDY C12



#	ART. NR		L	W	T	Q	Col.No
	artisan	carpenter					
1	9454a	9454c	930	360	16	1	1
2	9455a	9455c	930	360	16	1	1
3	9456a	9456c	930	380	16	1	1
4	9457a	9457c	930	380	16	1	1
5	9436a	9436c	350	140	16	4	1
6	9435a	9435c	350	140	16	4	1
7	9431a	9448c	1750	420	22	1	2
8	9432a	9449c	1750	420	22	1	2
9	9450a	9450c	467	370	16	4	2
10	9437a	9437c	710	123	16	4	2
11	9447a	9447c	725	358	2,5	4	2
12	9458a	9458c	922	500	32	1	3
13	9459a	9459c	922	500	32	1	3
14	9444a	9444c	177	746	16	1	3
15	9461a	9461c	227	746	16	3	3
16	9406a	9406c	32	500	32	2	3
17	9446a	9446c	32	746	32	1	3
18	9465a	9465c	372	945	2,5	2	3
19	9466a	9466c	491	945	2,5	2	3

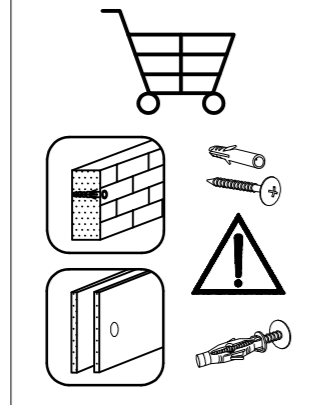


PUSH TO OPEN



WALL DRILL

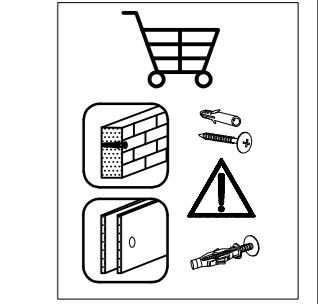
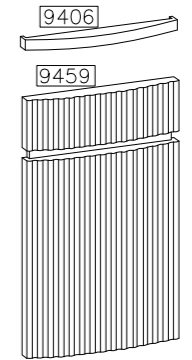
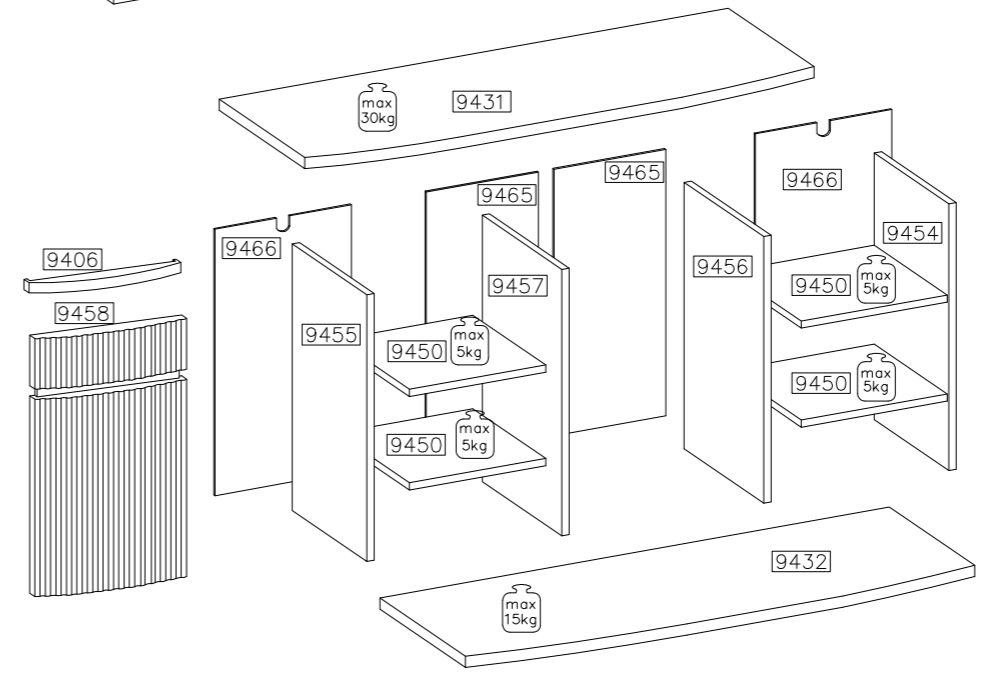
22



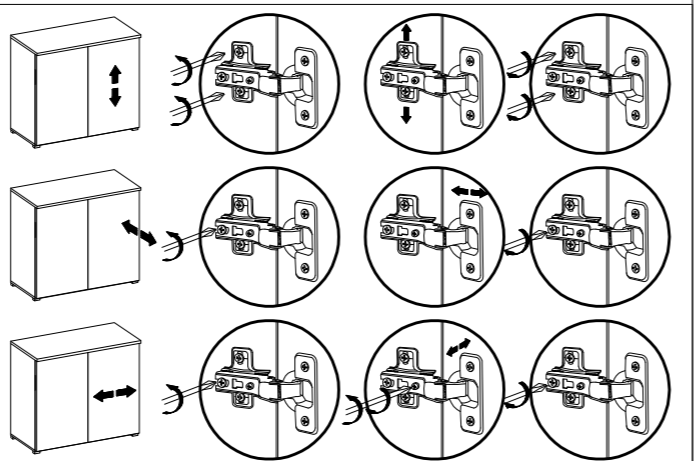
WALL DRILL

Ø3.5x16mm

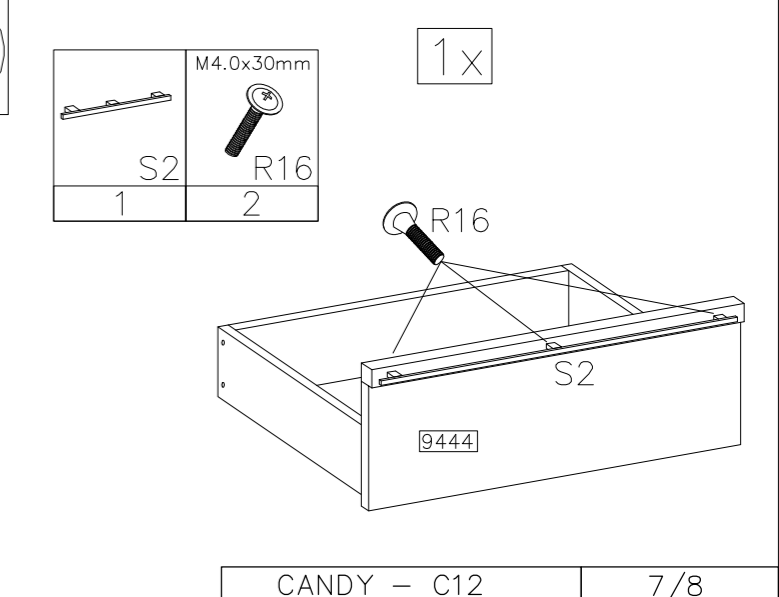
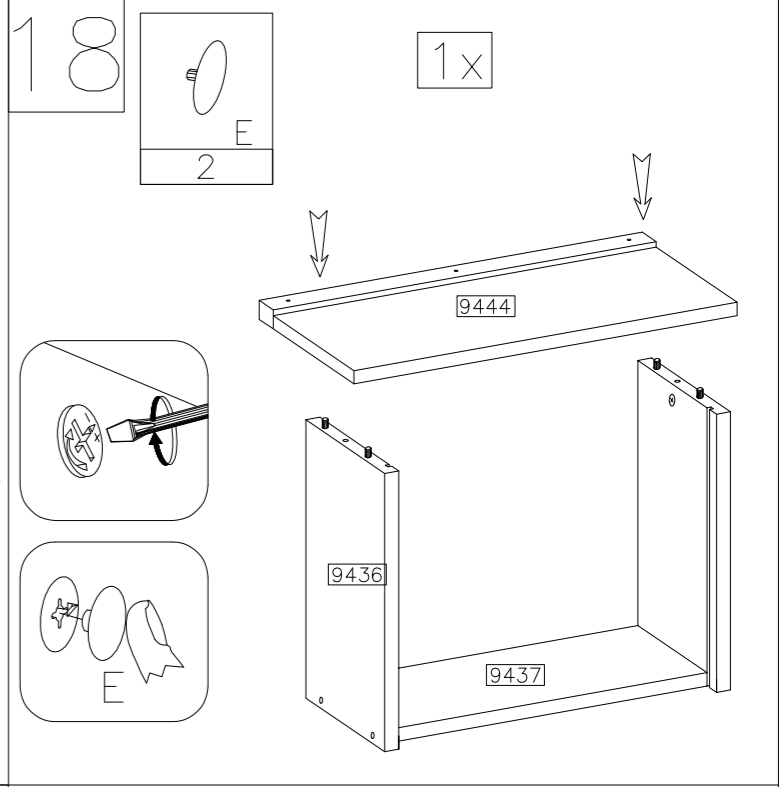
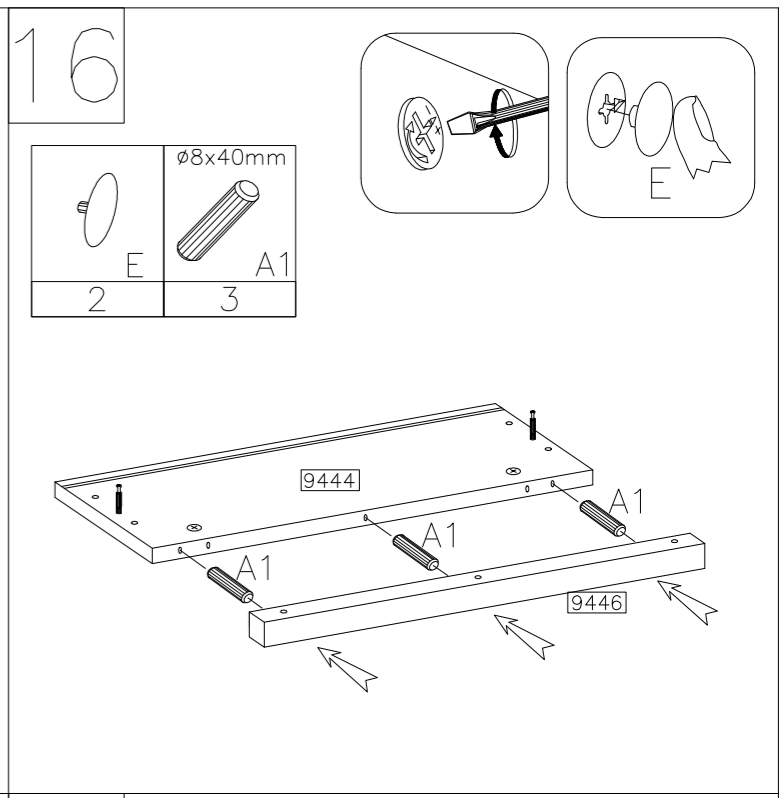
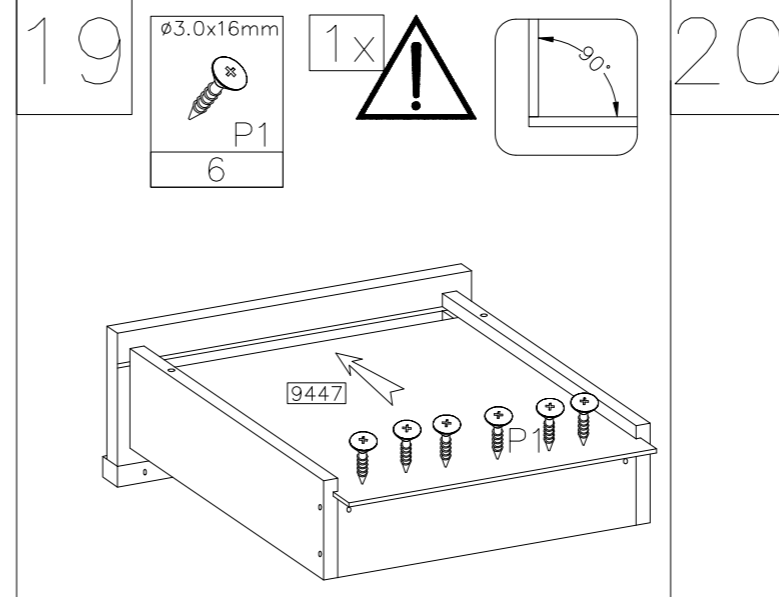
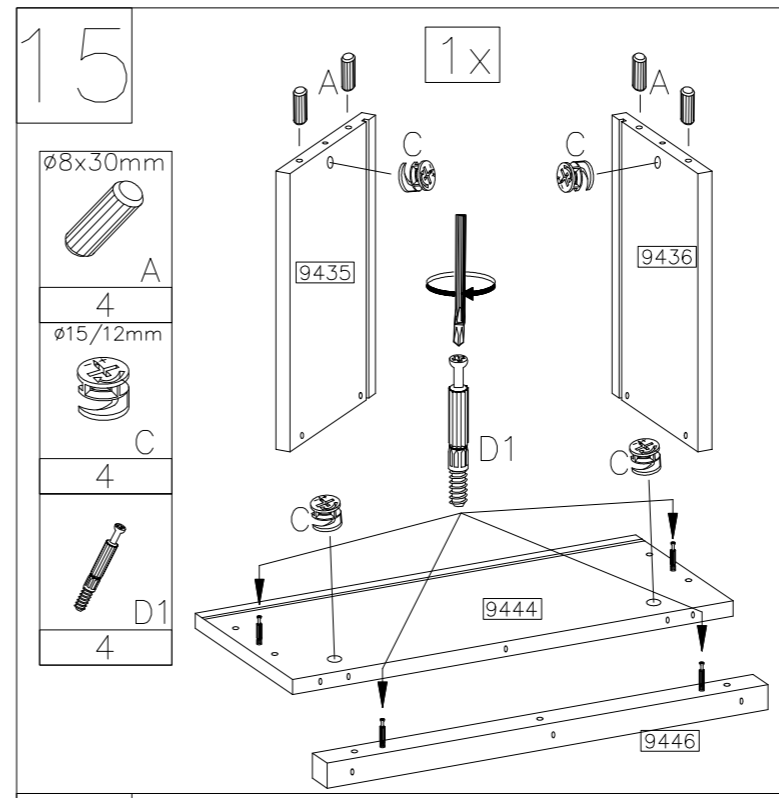
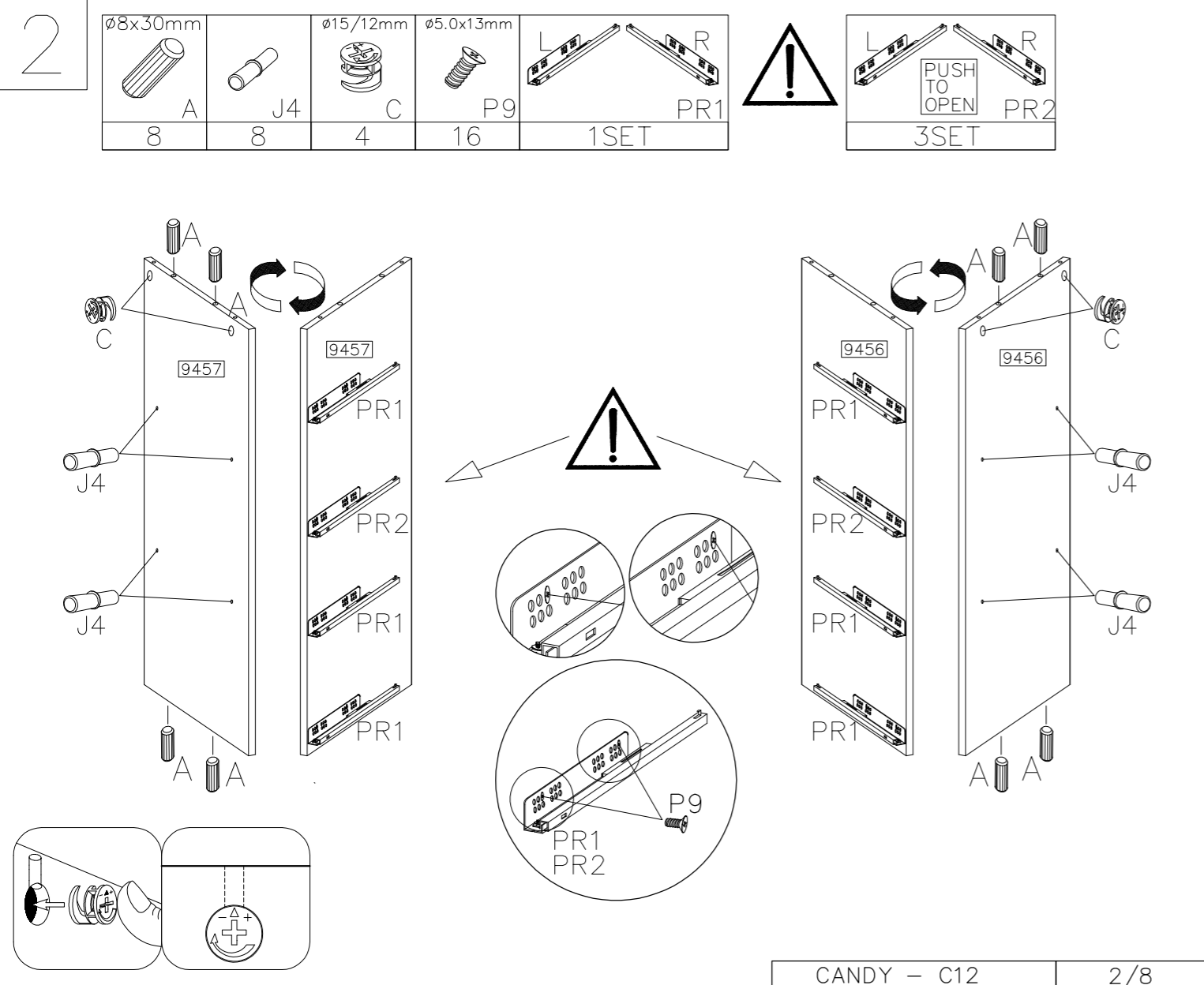
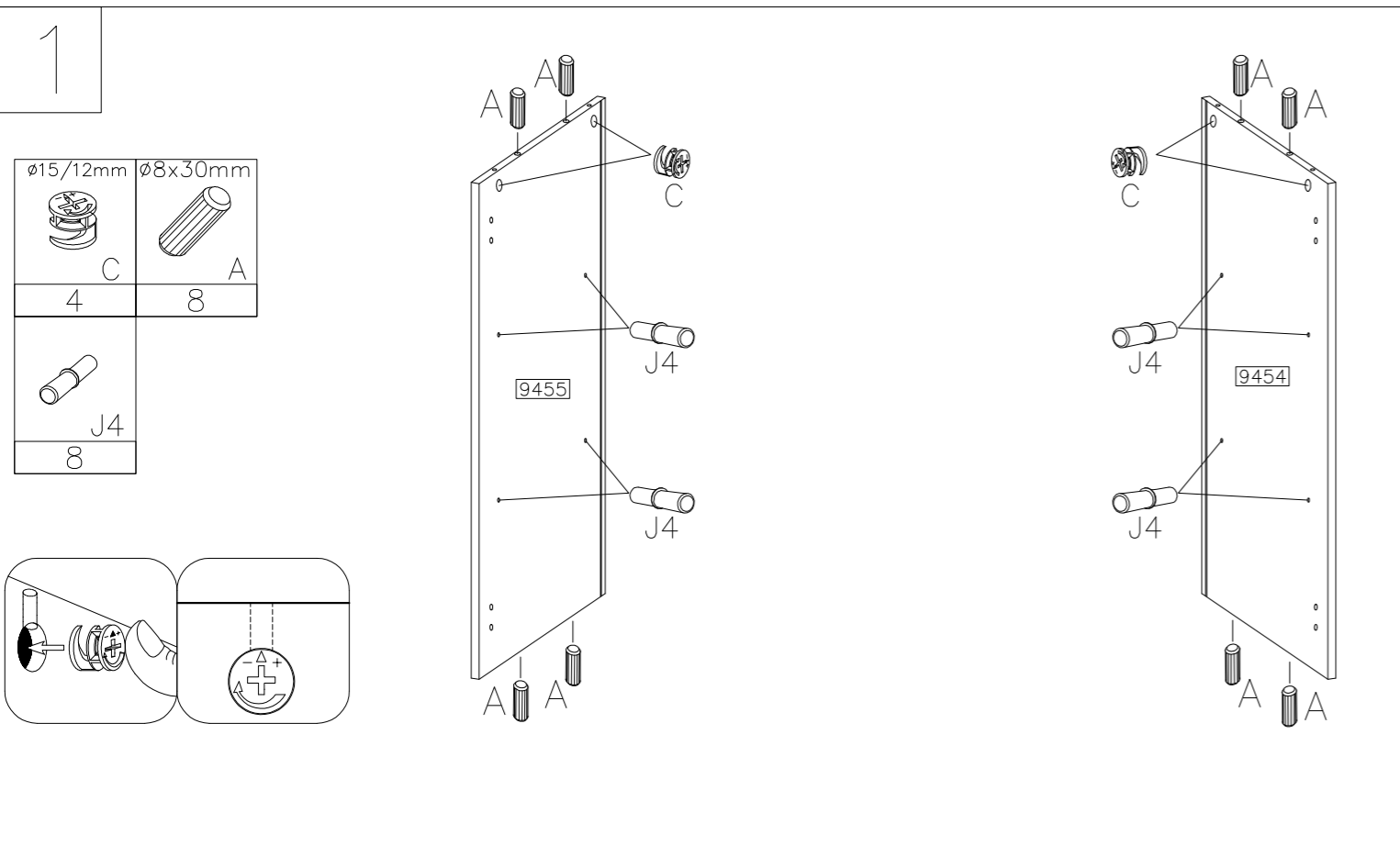
P4	N
4	2



- 1x 9446
- 9444
- 3x 9461
- 4x 9437, 9435, 9447

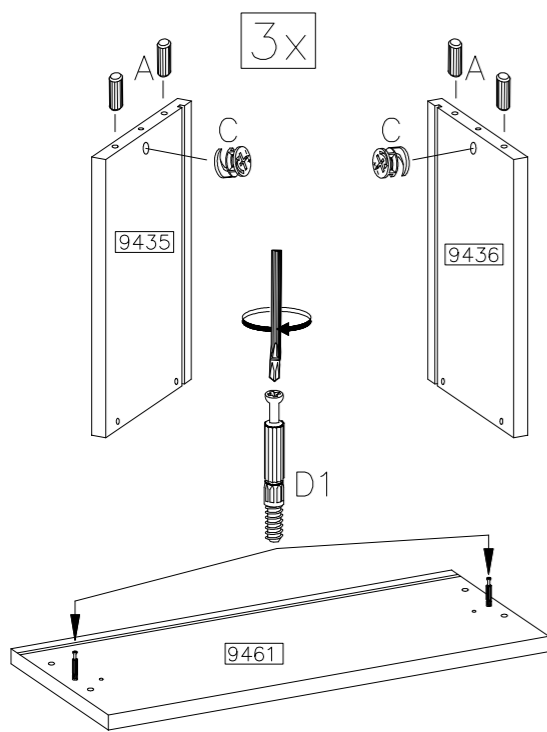


Ø8x30mm A	6,4x60mm B1	Ø15/12mm C	D1	E	E1	Ø3.0x16mm P1	L PR1	R PR2		
32	8	18	18	18	8	50	1SET	3SET		
Ø8x40mm A1	O	Ø5.0x13mm P9	L	Ø35/KR-0 G6	F8	S1	S2	M4.0x30mm R16	N	Ø3.5x16mm P4
3	1	28	12	6	18	2	1	7	2	4
F4	Ø4.0x30mm P3	U	Ø3.0x20mm P7	J4	Z1					
8	32	16	8	16	1					



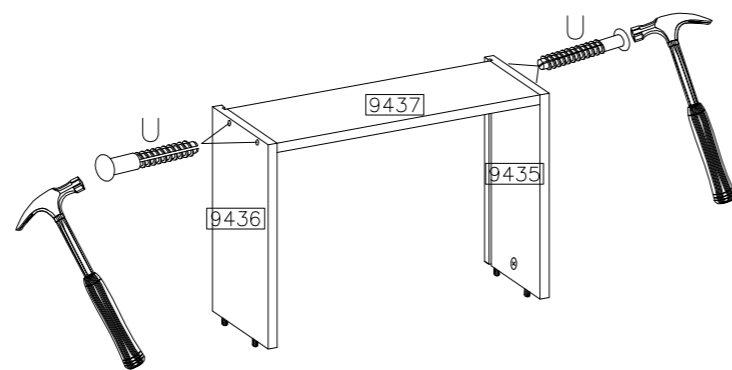
11

- ∅8x30mm
A
- 12
∅15/12mm
C
- 6
D1



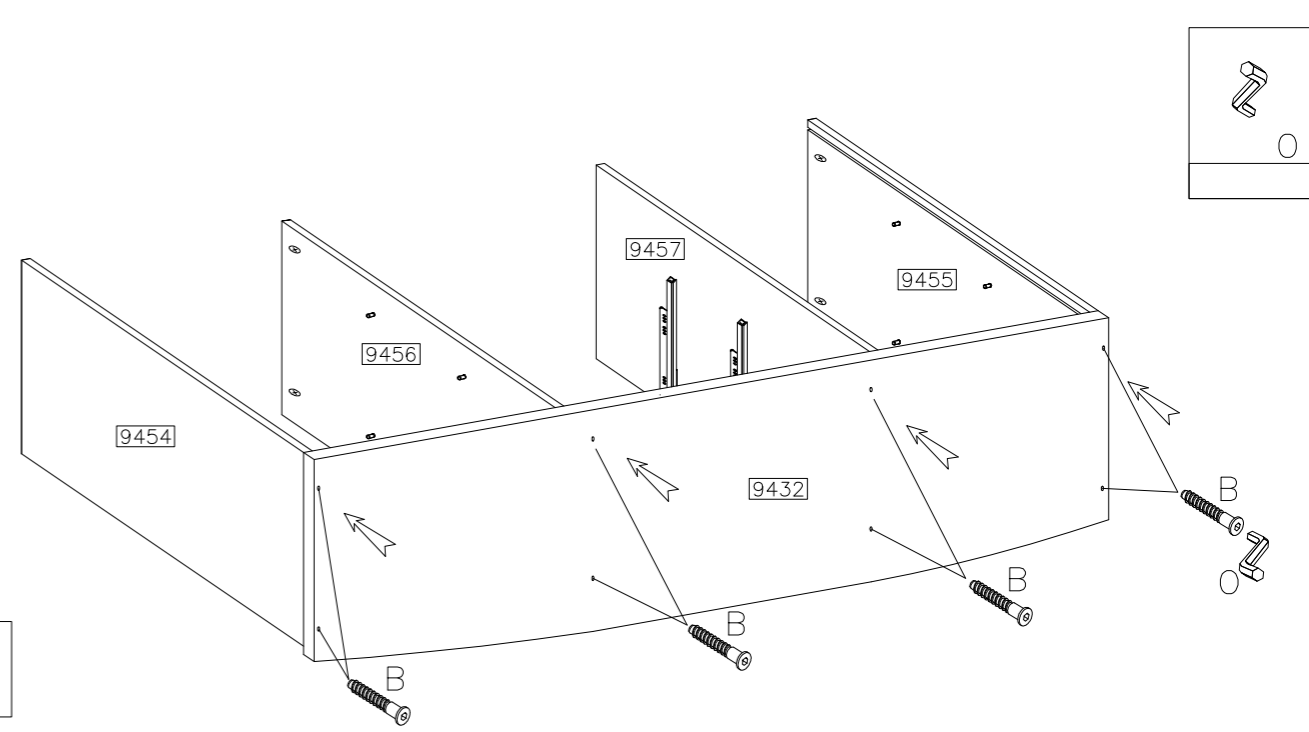
12

- U
- 12
- 3x

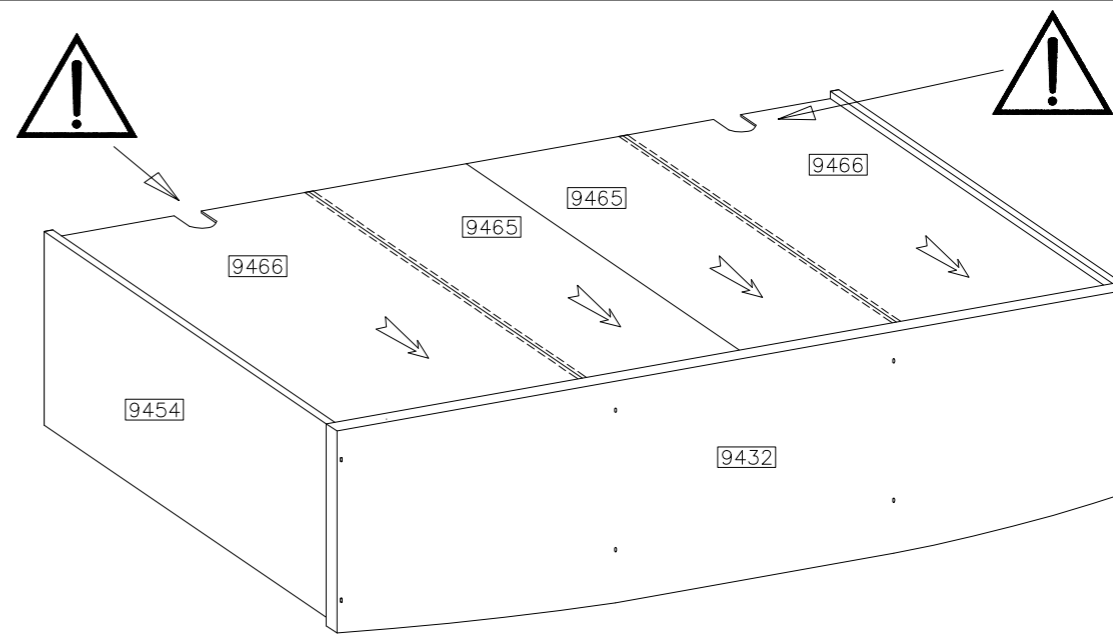


3

- B
- 8
- E1
- 8
- B
- E1

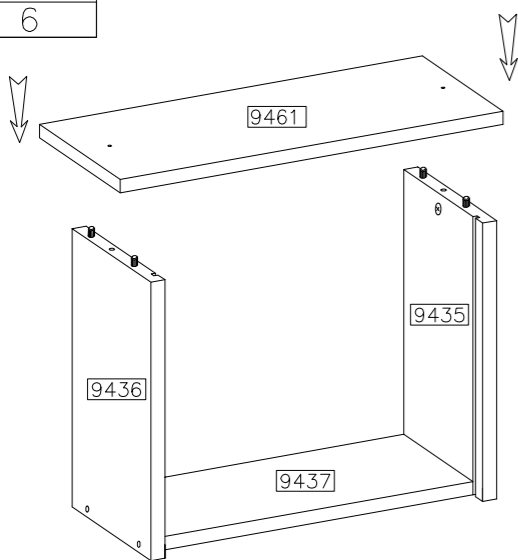


4



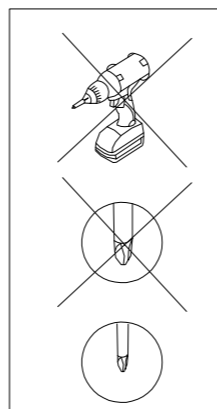
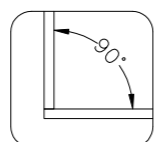
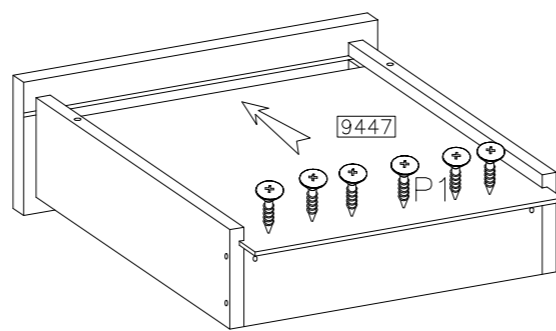
13

- E
- 6
- 3x



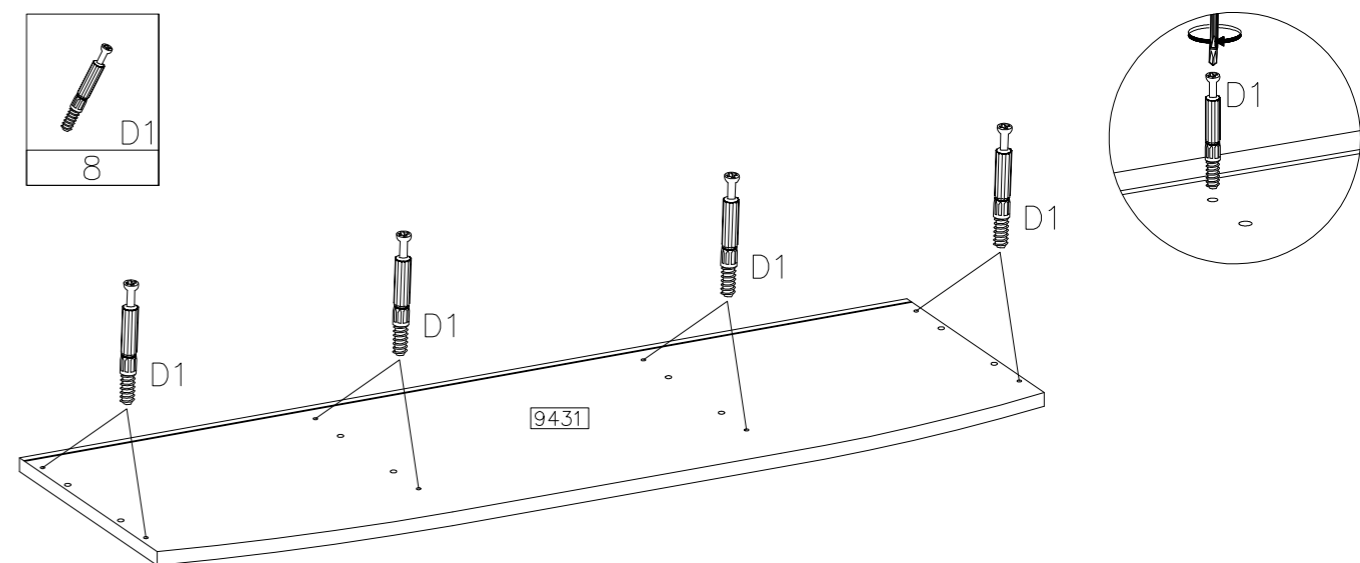
14

- ∅3.0x16mm
P1
- 18
- 3x

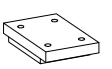



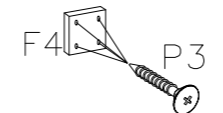
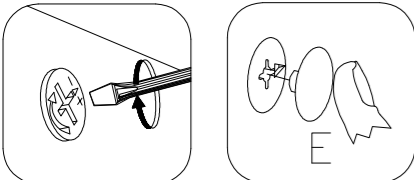
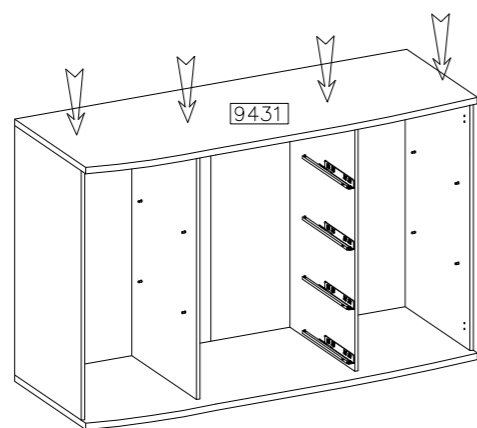
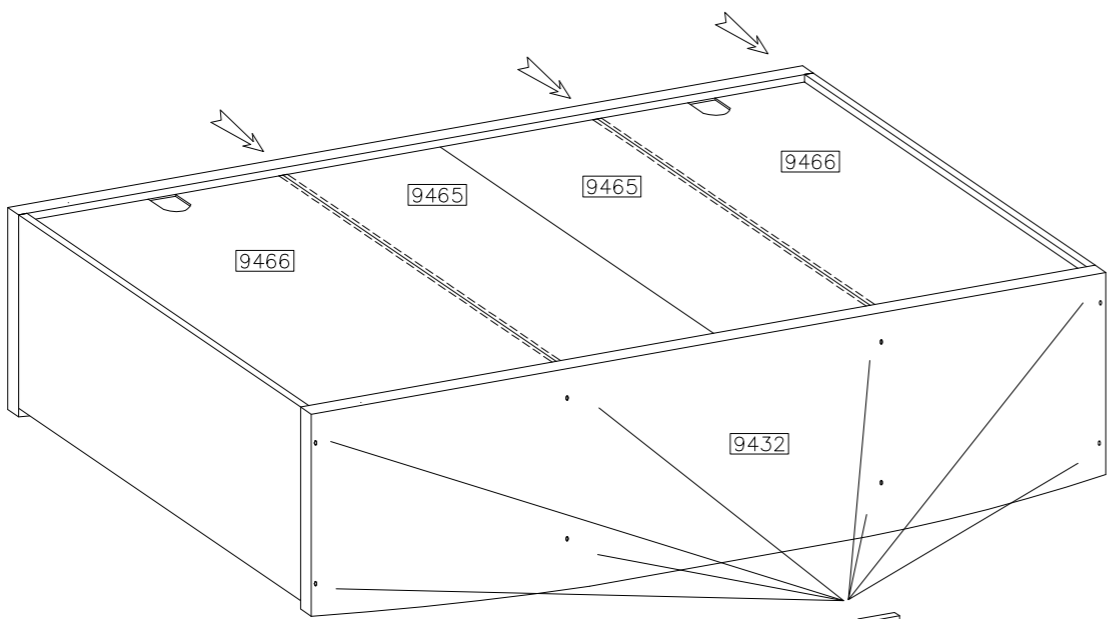
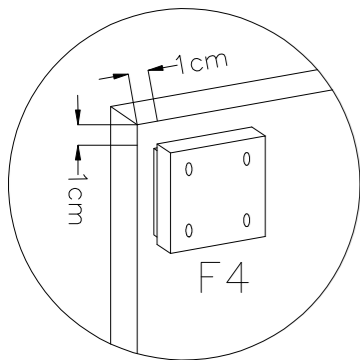
5

- D1
- 8


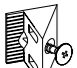
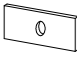


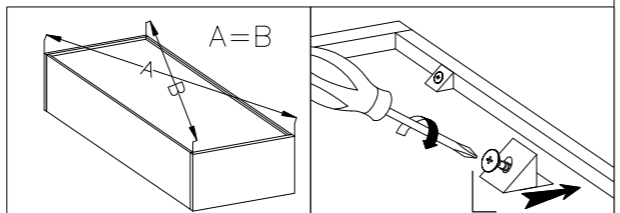
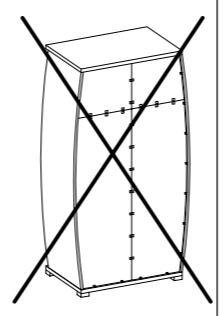
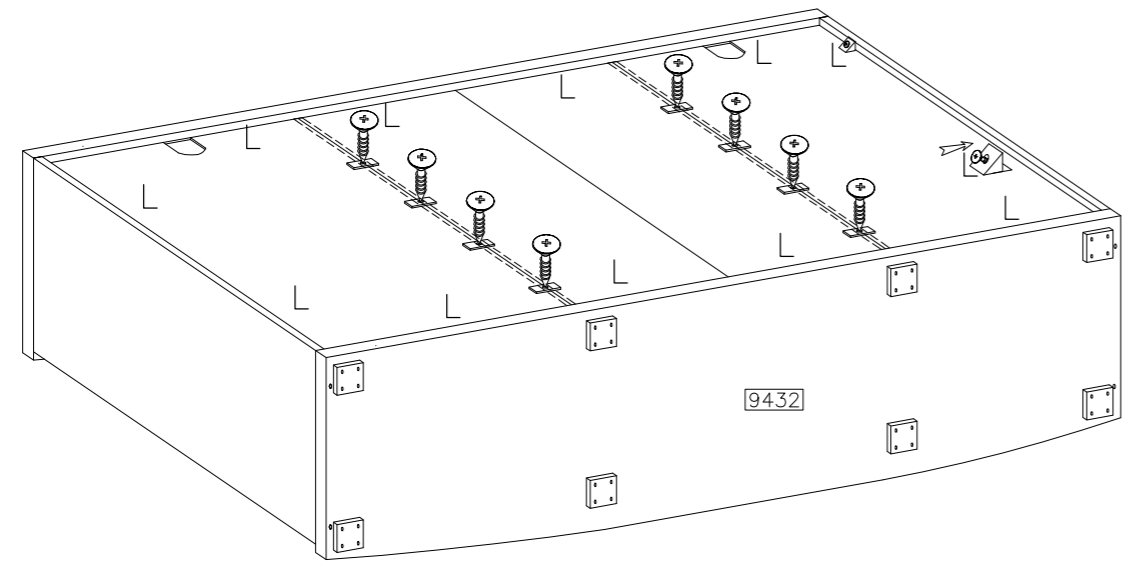
6

	
F4	P3
8	32



7

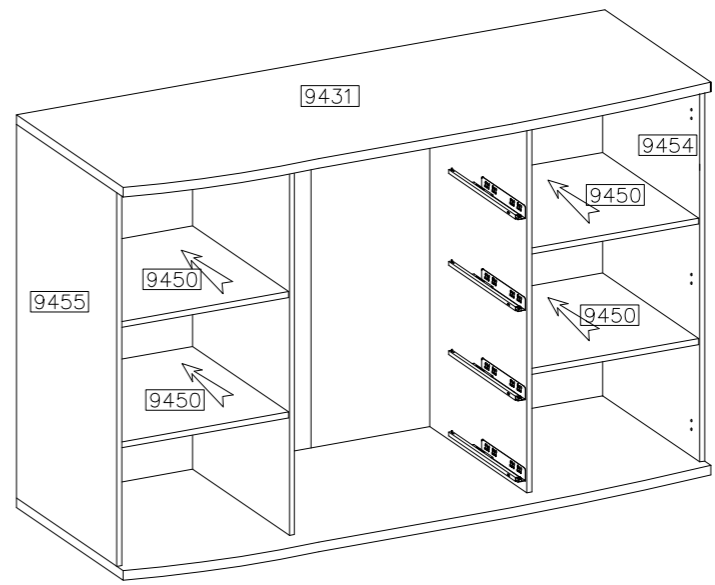
	
P1	L
12	12
	
F8	
12	





CANDY - C12

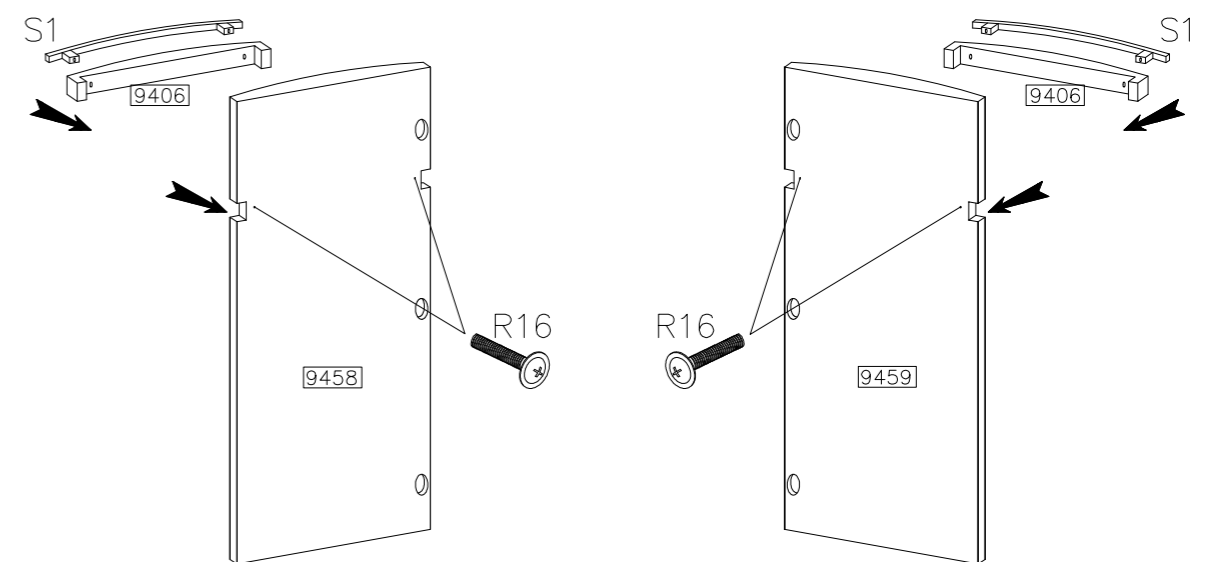
4/8

8

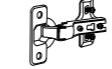



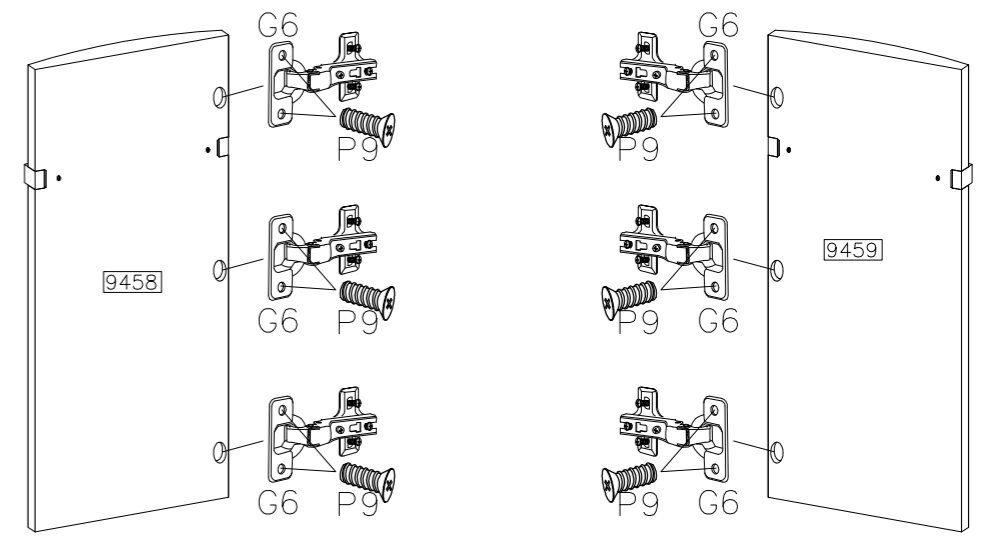
9

	
S1	R16
2	4
M4.0x30mm	



10

	
G6	P9
6	12
∅35/KR-0	5.0x13mm



CANDY - C12

5/8