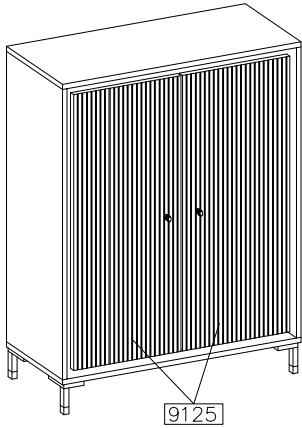
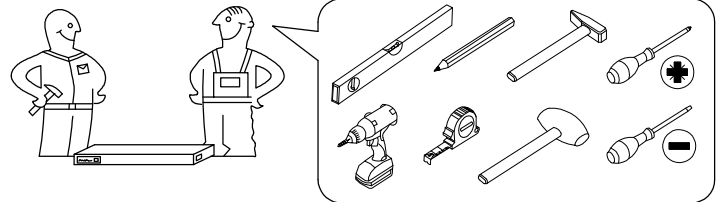


PARI

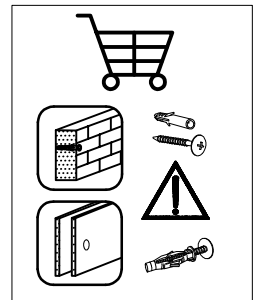
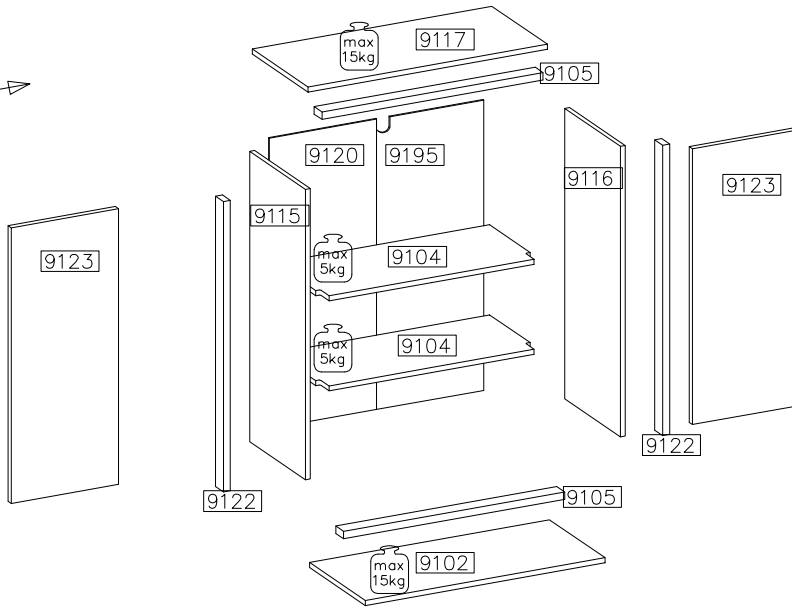
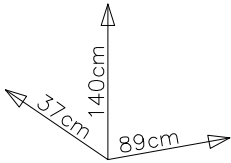
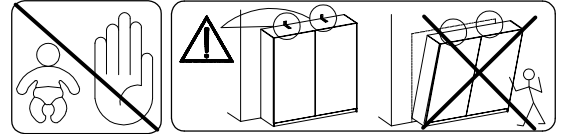
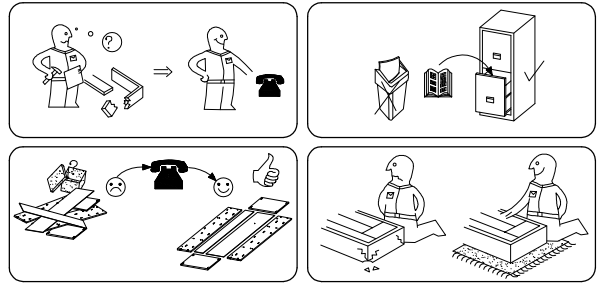
- 15



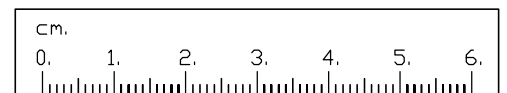
#	ART. NR	L	W	T	Q	Col.No
1	9115	1248	370	16	1	1
2	9116	1248	370	16	1	1
3	9117	890	371	16	1	1
4	9102	890	371	16	1	1
5	9104	858	320	16	2	1
6	9120	435	1263	2,5	1	1
7	9195	436	1263	2,5	1	1
8	9105	807	80	25	2	1
9	9122	1248	80	25	2	1

9	9125...	1208	407	16	2	2
10	9112...	120	58	16	2	2


XXXXC - CZARNY
 XXXXZ - ZIELONY
 XXXXA - ARTISAN
 XXXXR - RÓŻOWY
 XXXXC - SZARY-CONGO

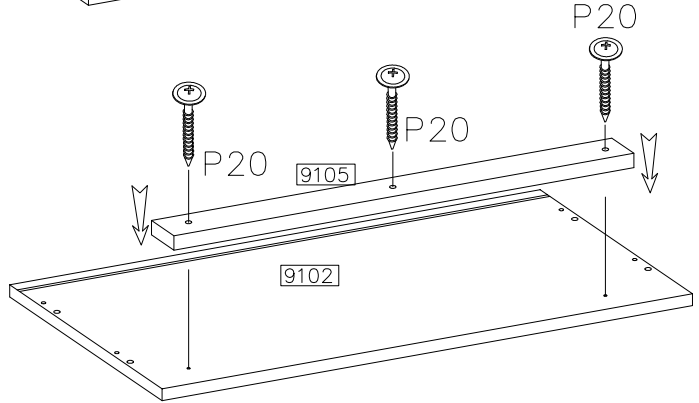
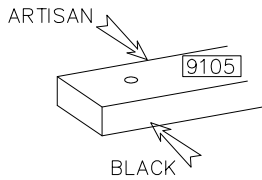
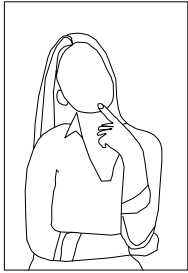
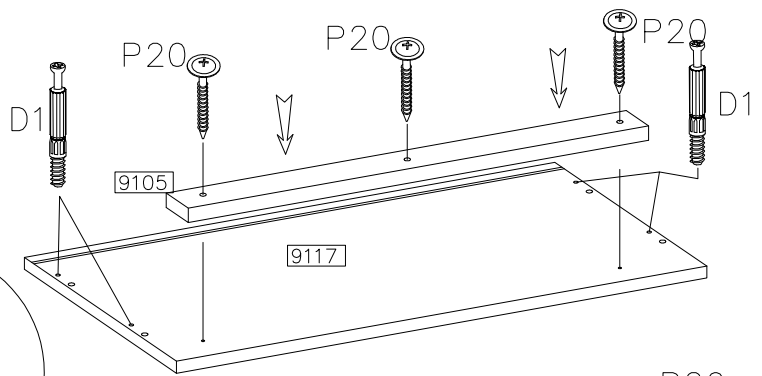
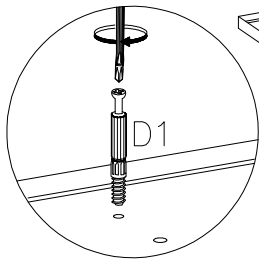


Ø8x30mm A	Ø8x20mm A7	6,4x50mm B	Ø15/12mm C	D1	E	E1
8	4	4	4	4	4	4
O	Ø5.0x13mm P9		Ø3.5x16mm N	L	F4	4.0x25mm P12
1	12	1	12	4	16	
J4	Ø35/KR-8 G8	Ø4.0x35mm P20	M4.0x20mm R13	S1	Z1	
8	6	14	2	2	1	




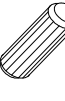


1

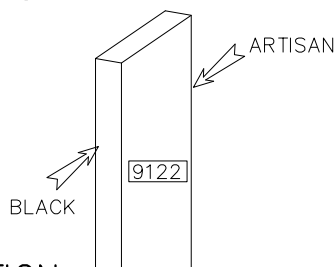
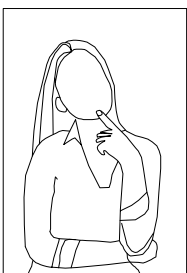
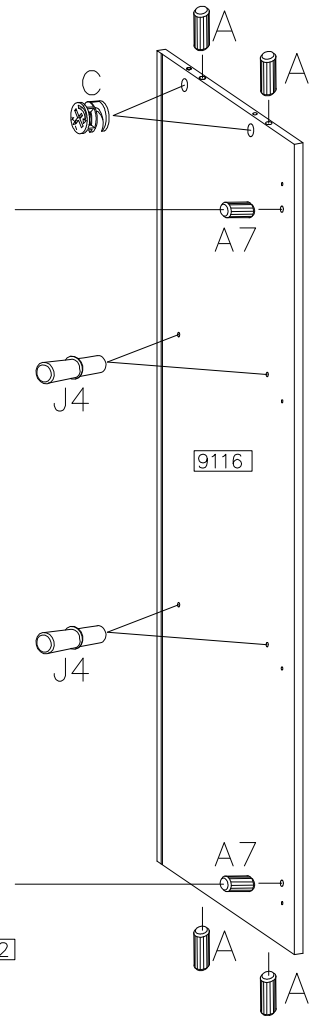
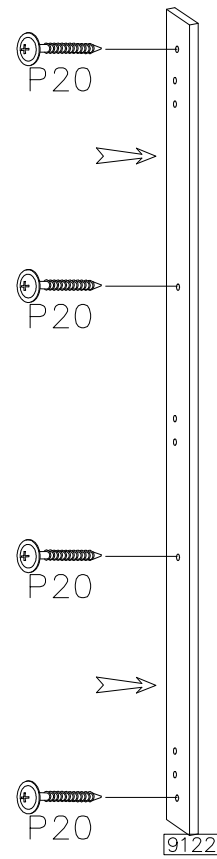
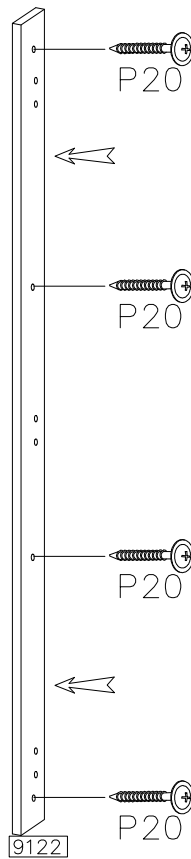
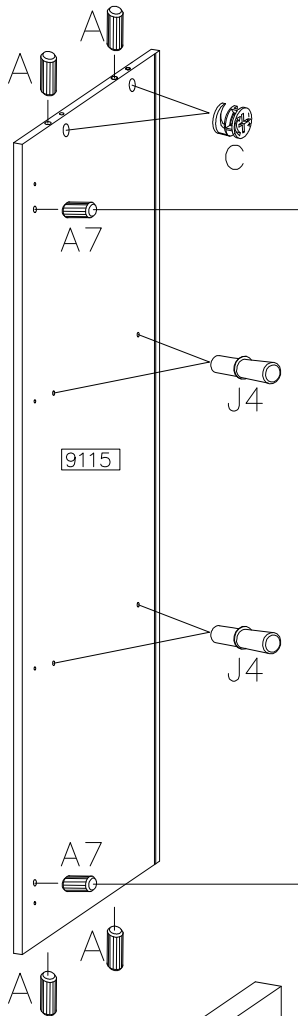
	$\phi 4.0 \times 35 \text{mm}$
D1	P20
4	6



OPTION
COLOUR BLACK v COLOUR ARTISAN

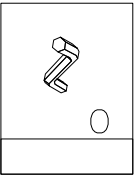
2



$\phi 15/12 \text{mm}$	$\phi 8 \times 30 \text{mm}$
	
C	A
4	8
	$\phi 8 \times 20 \text{mm}$
J4	A7
8	4
$\phi 4.0 \times 35 \text{mm}$	
	
P20	
8	

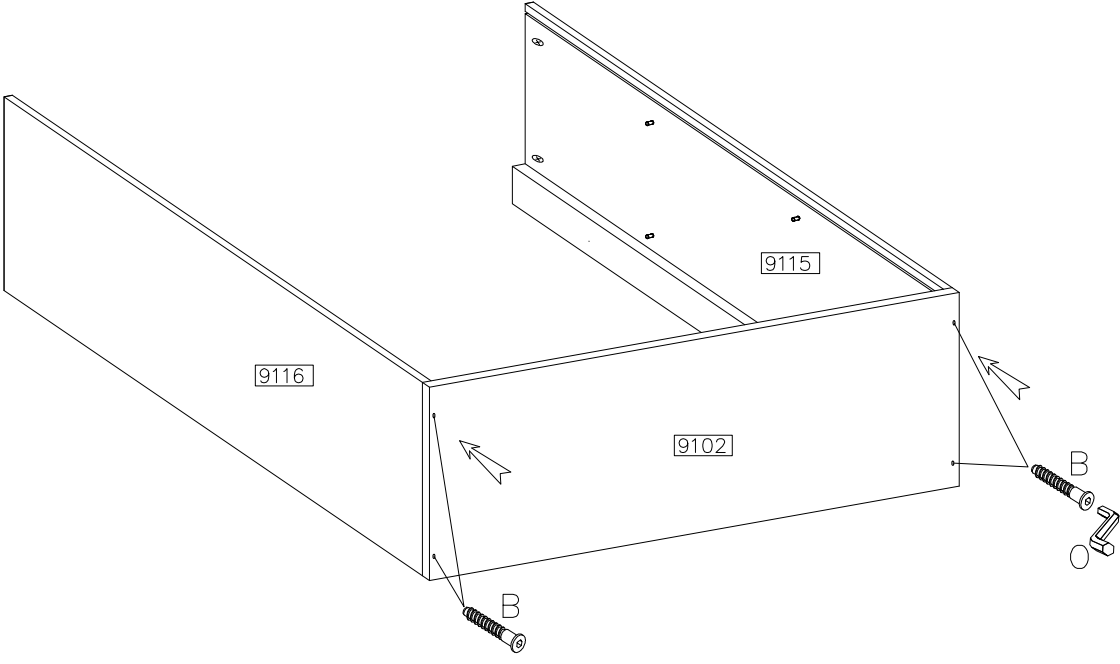


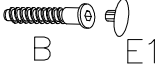
OPTION
COLOUR BLACK v COLOUR ARTISAN

3

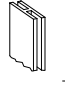


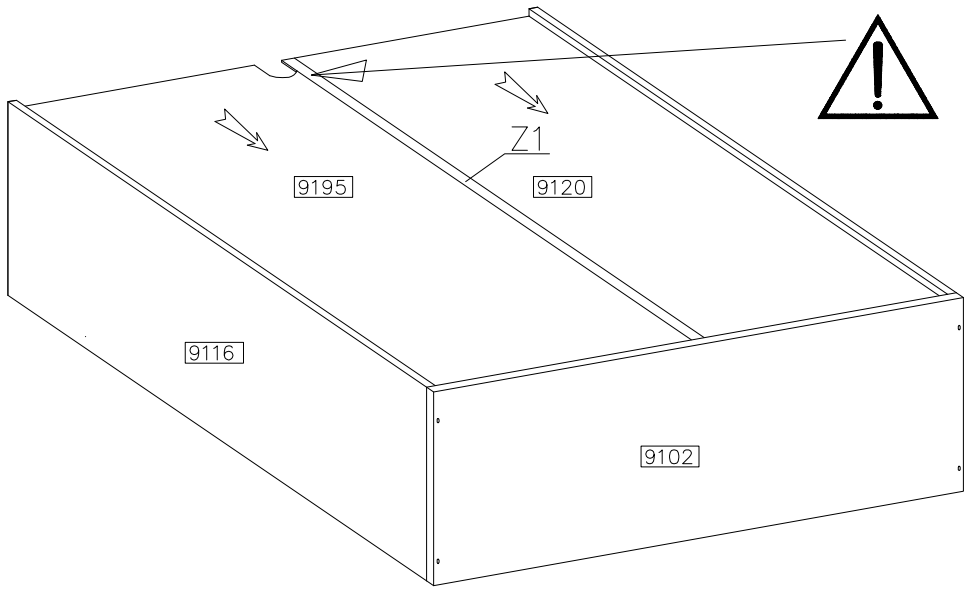
-  B
- 4
-  E1
- 4



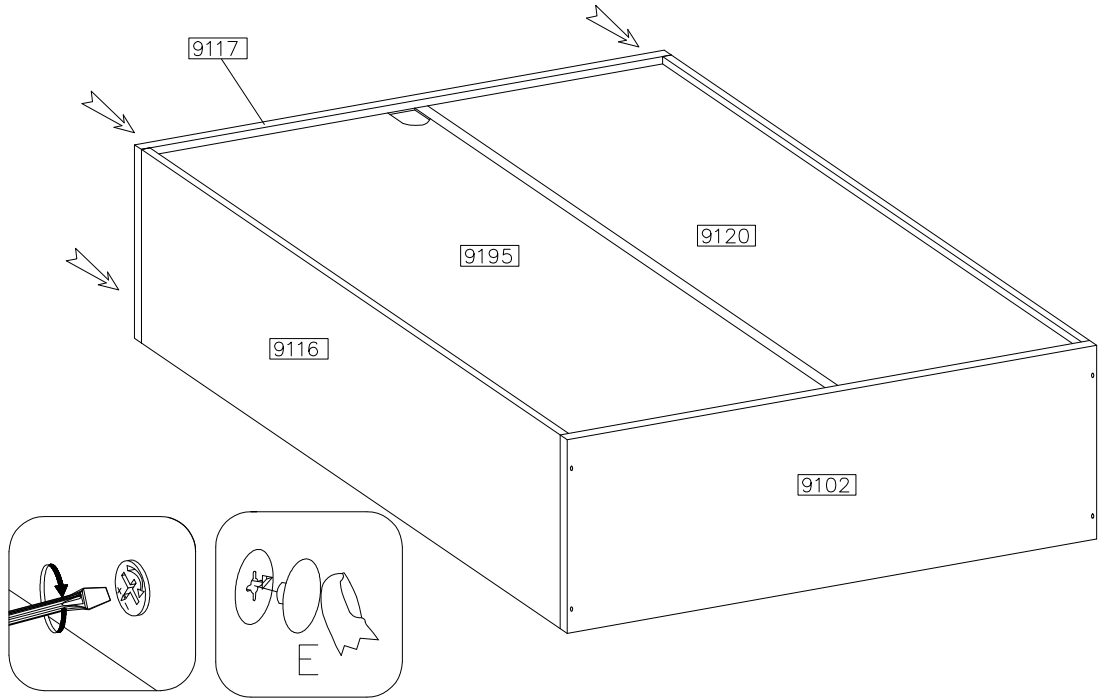
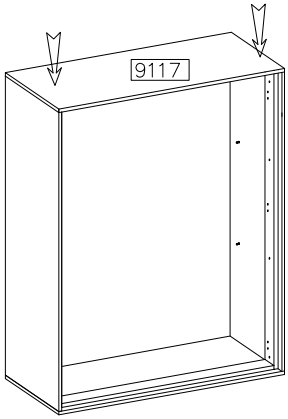
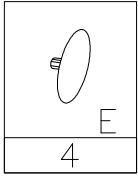
-  B E1

4

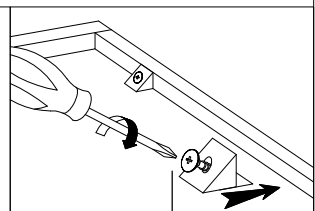
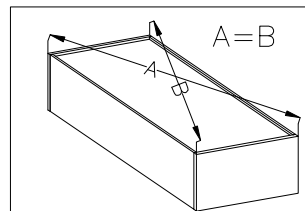
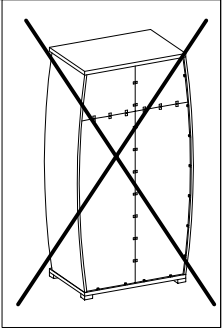
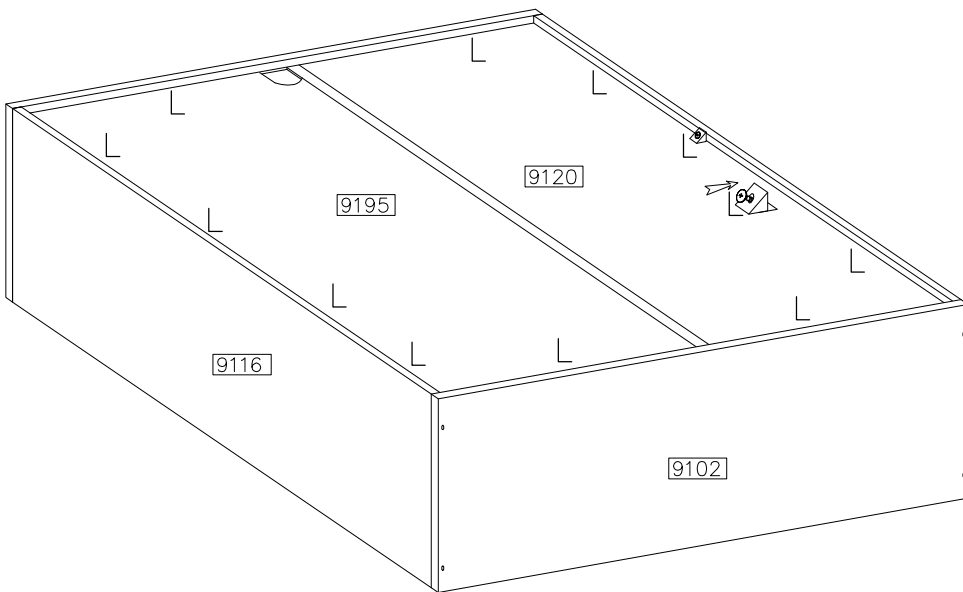
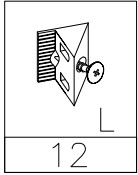
-  Z1
- 1



5



6



7



F4

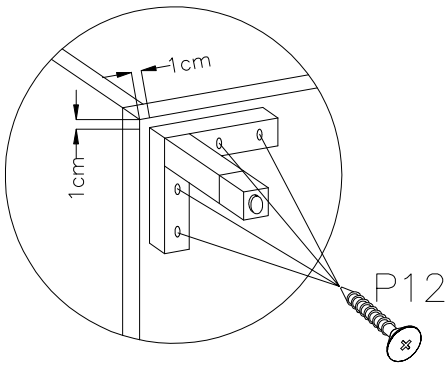
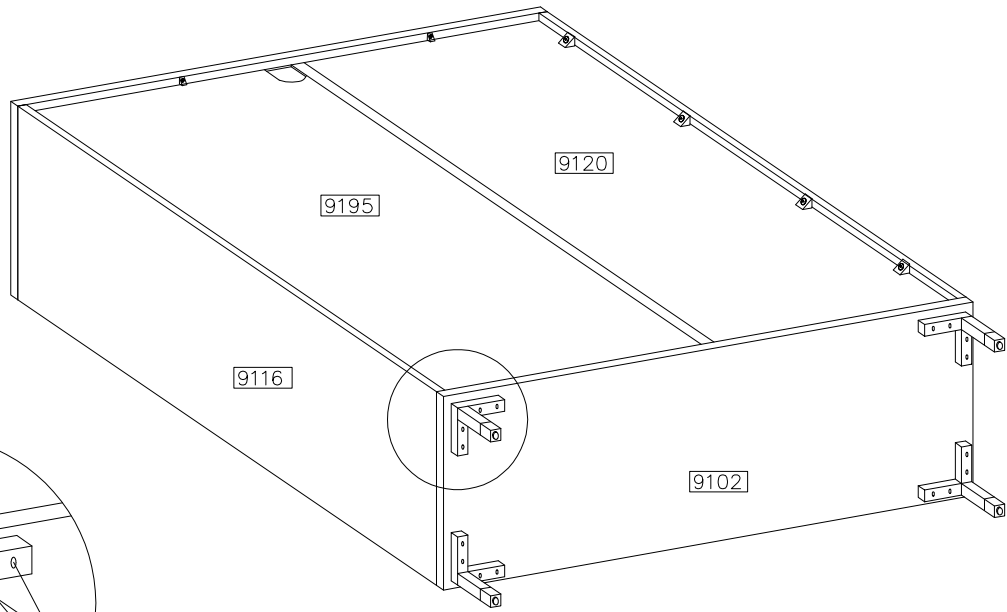
4

4.0x25mm



P12

16



8

∅35/KR-8

5.0x13mm



G8



P9

6

12

M4.0x20mm



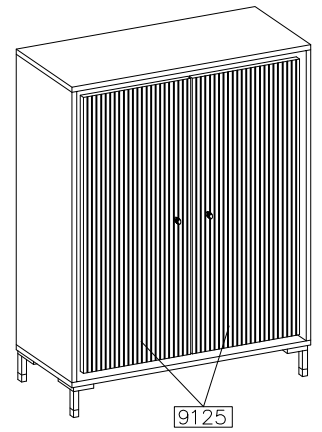
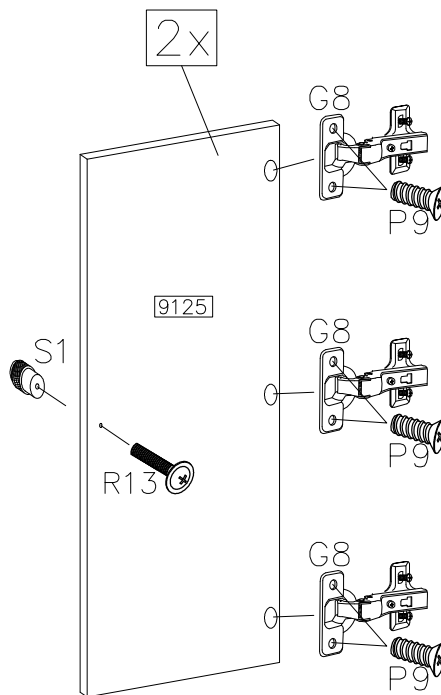
R13



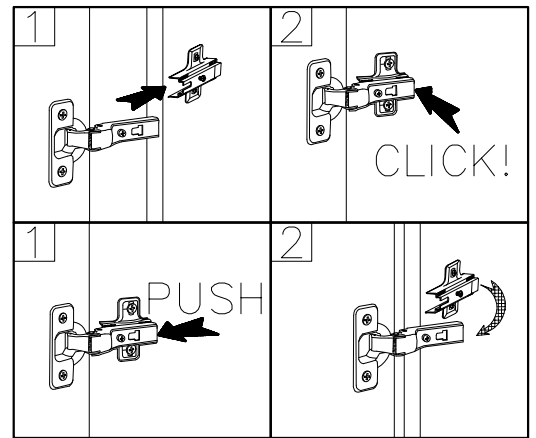
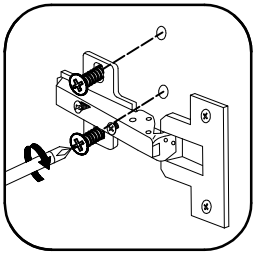
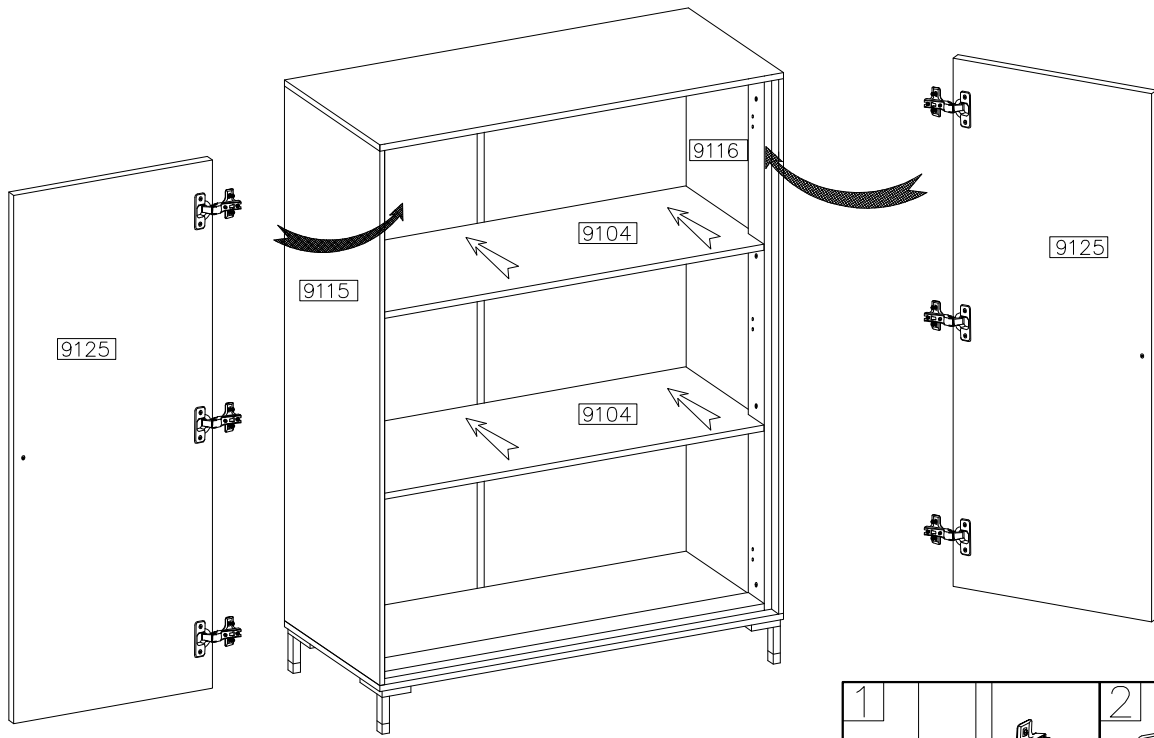
S1

2

2



9



10

