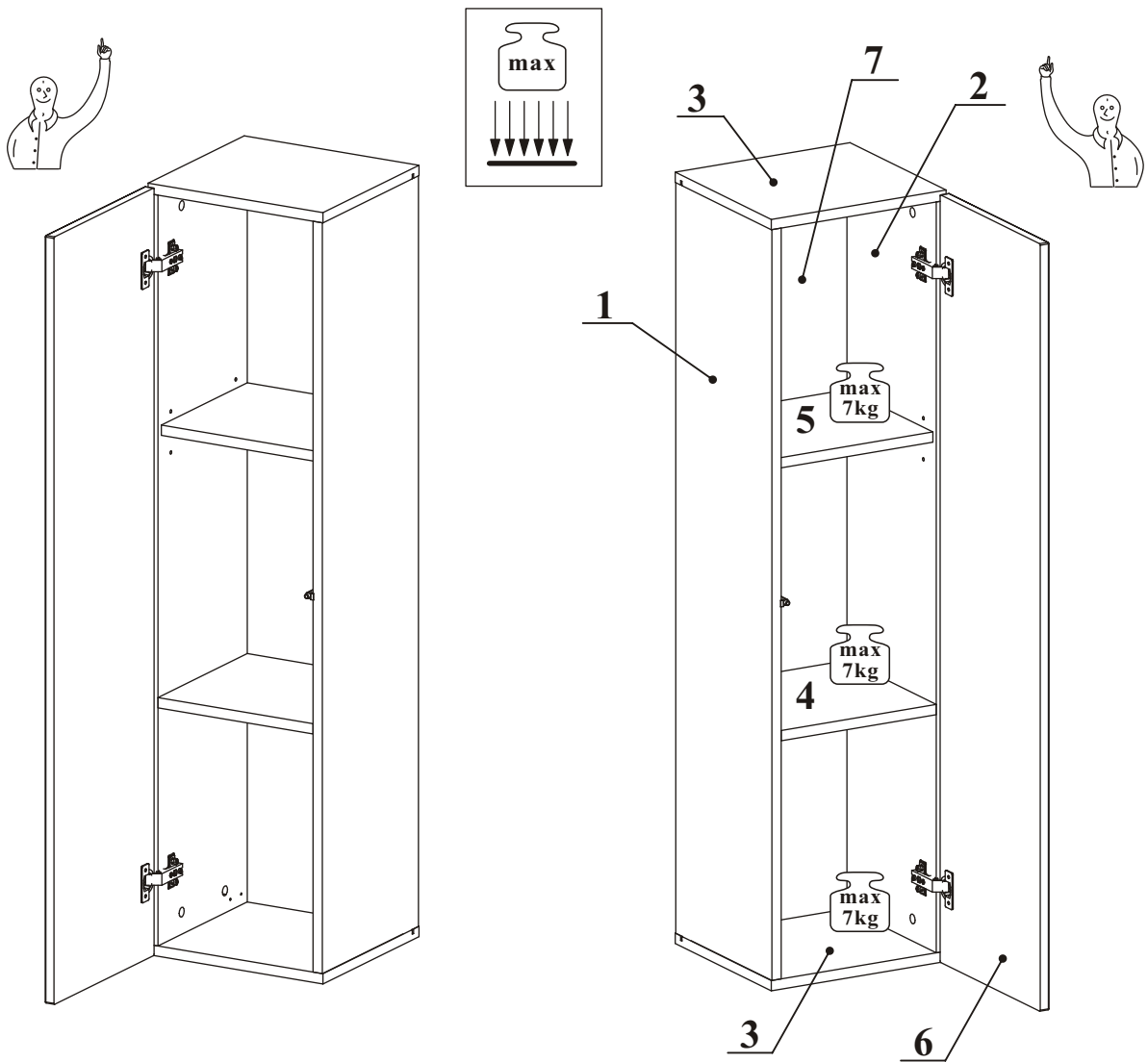
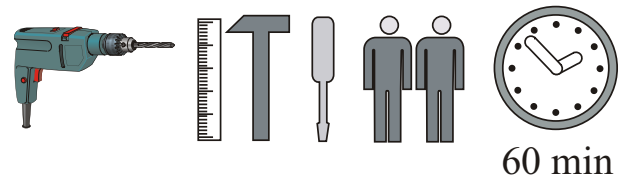


# SWITCH SW2



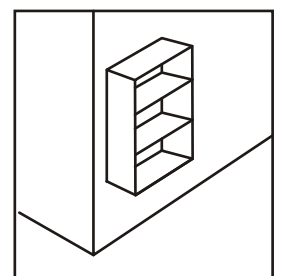
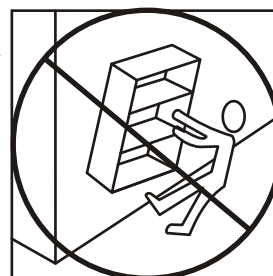
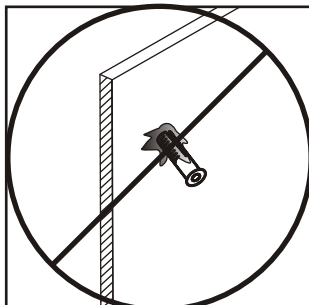
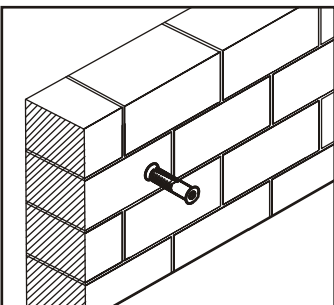
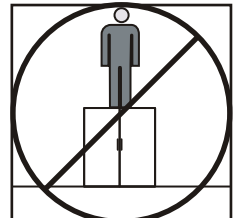
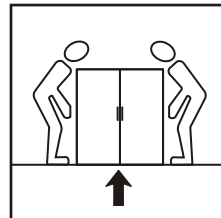
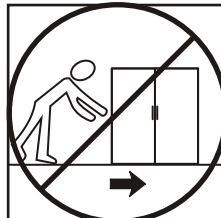
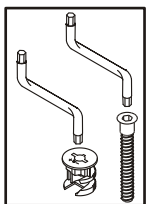
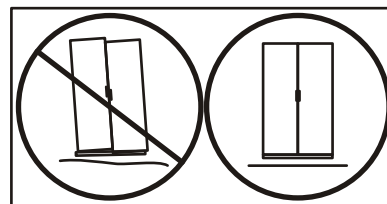
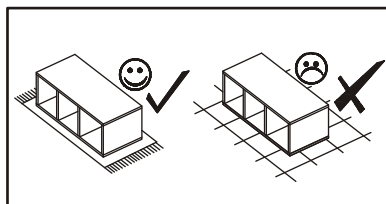
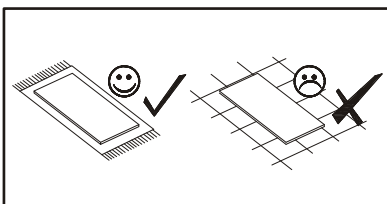
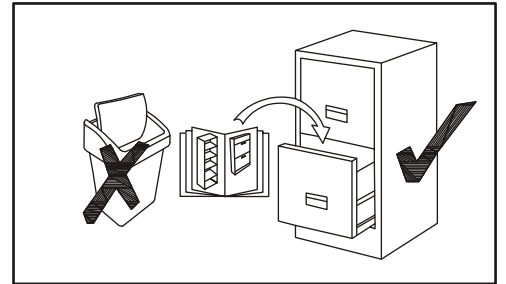
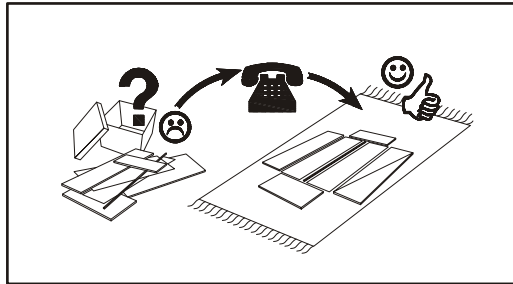
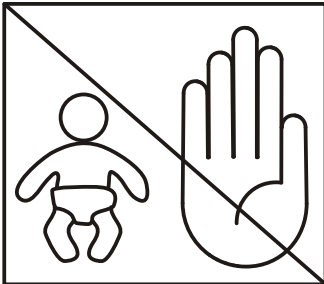
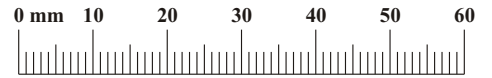
NO	Dim.		Col.-No	Qty
1	1170	284	1	1
2	1170	284	1	1
3	302	284	1	2
5	268	254	1	1
4	268	264	1	1
7	1182	280	1	1
6	296	1196	1	1



60 min

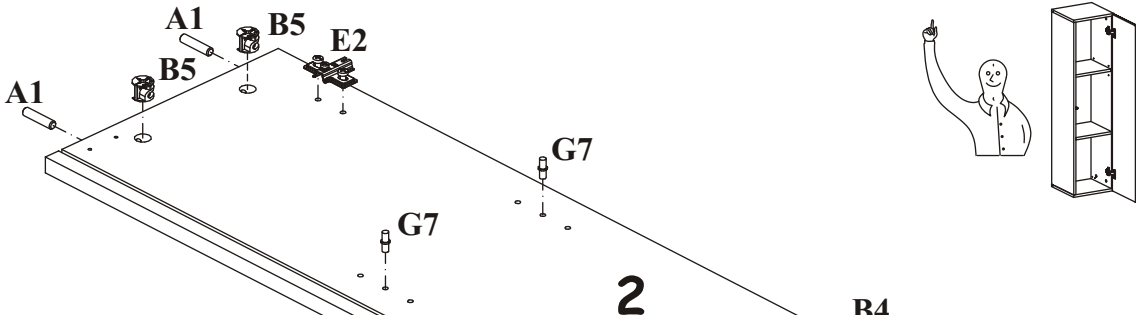
# SWITCH - SW2

A1 X12 ø8x36	B4 X12	G5 X12	B5 X12 ø15x12	G7 X4	S1 X10
Z2 X4 ø5	D10 X6 USØ3,5x13	G2 X1	E1 X2 Ø26 H=0	E2 X2 H=0	ZR1 X2
D6 X4 USØ3,5x30	OD1 X1	KR2 X2			

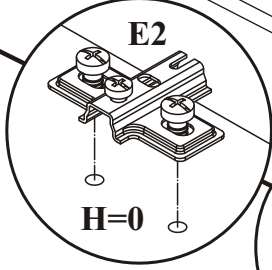
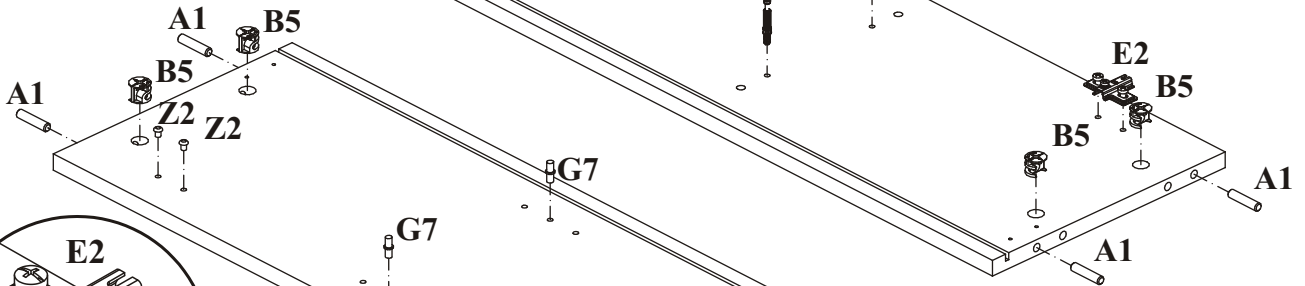


# SWITCH - SW2

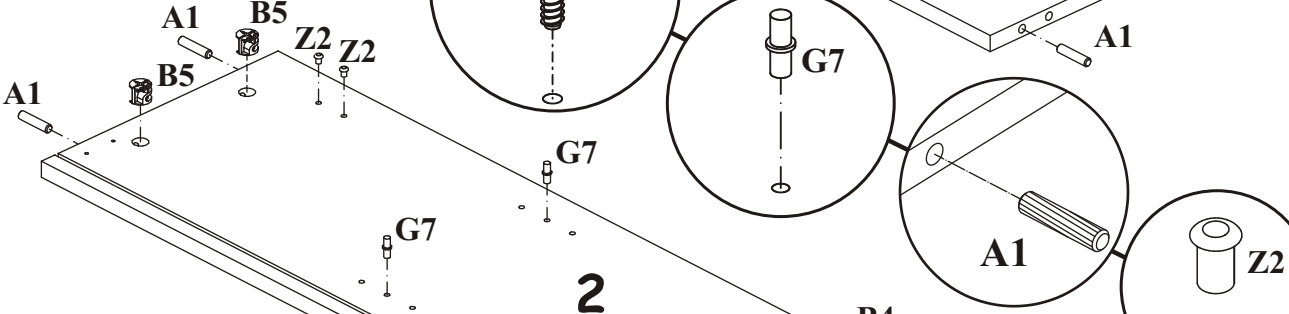
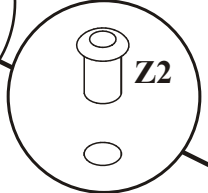
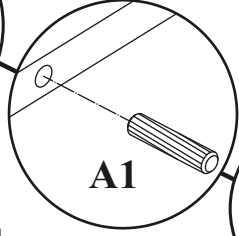
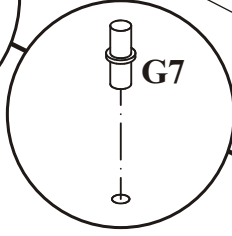
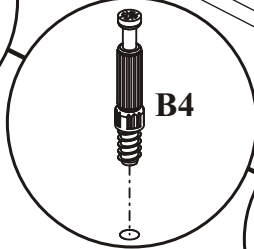
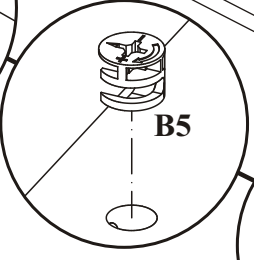
1



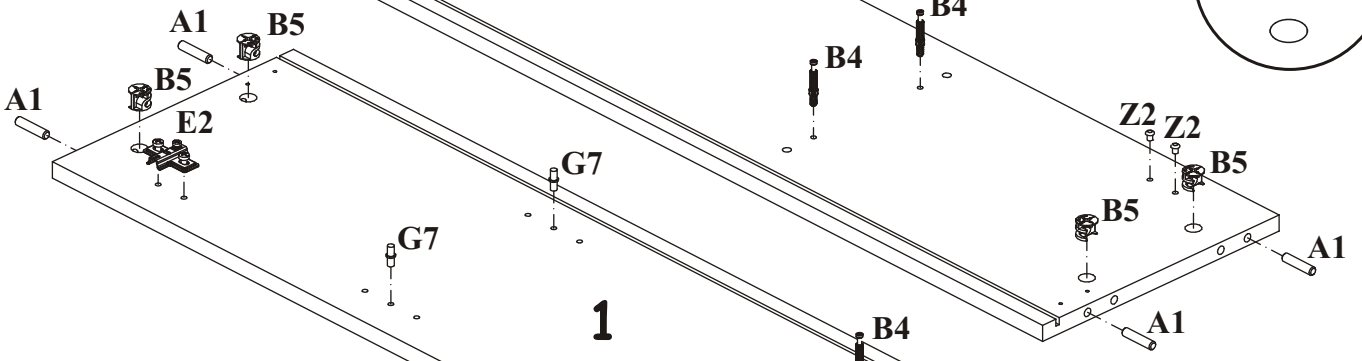
2



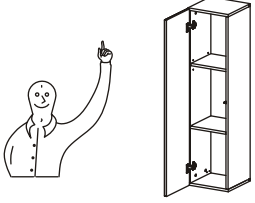
H=0



2



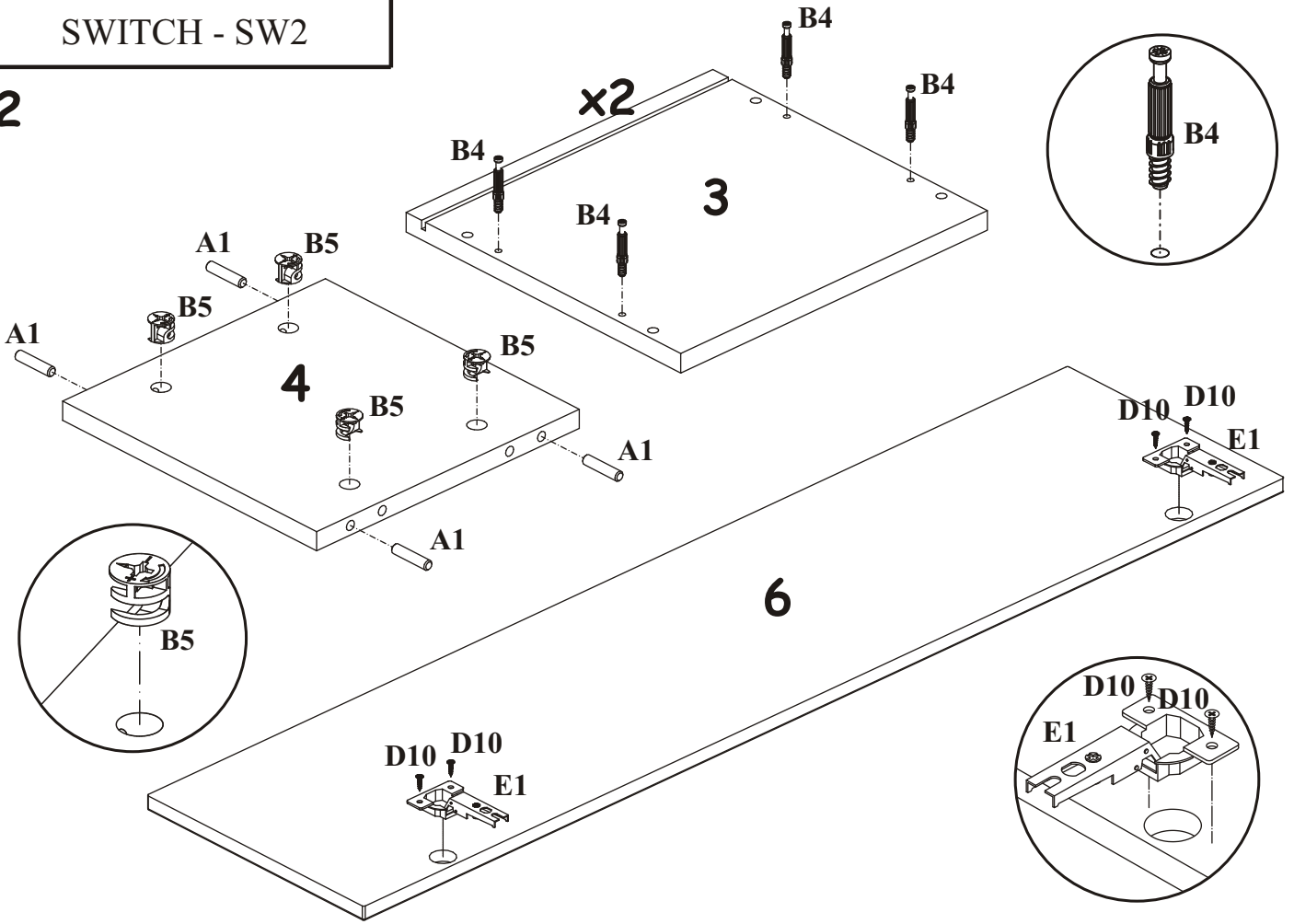
1



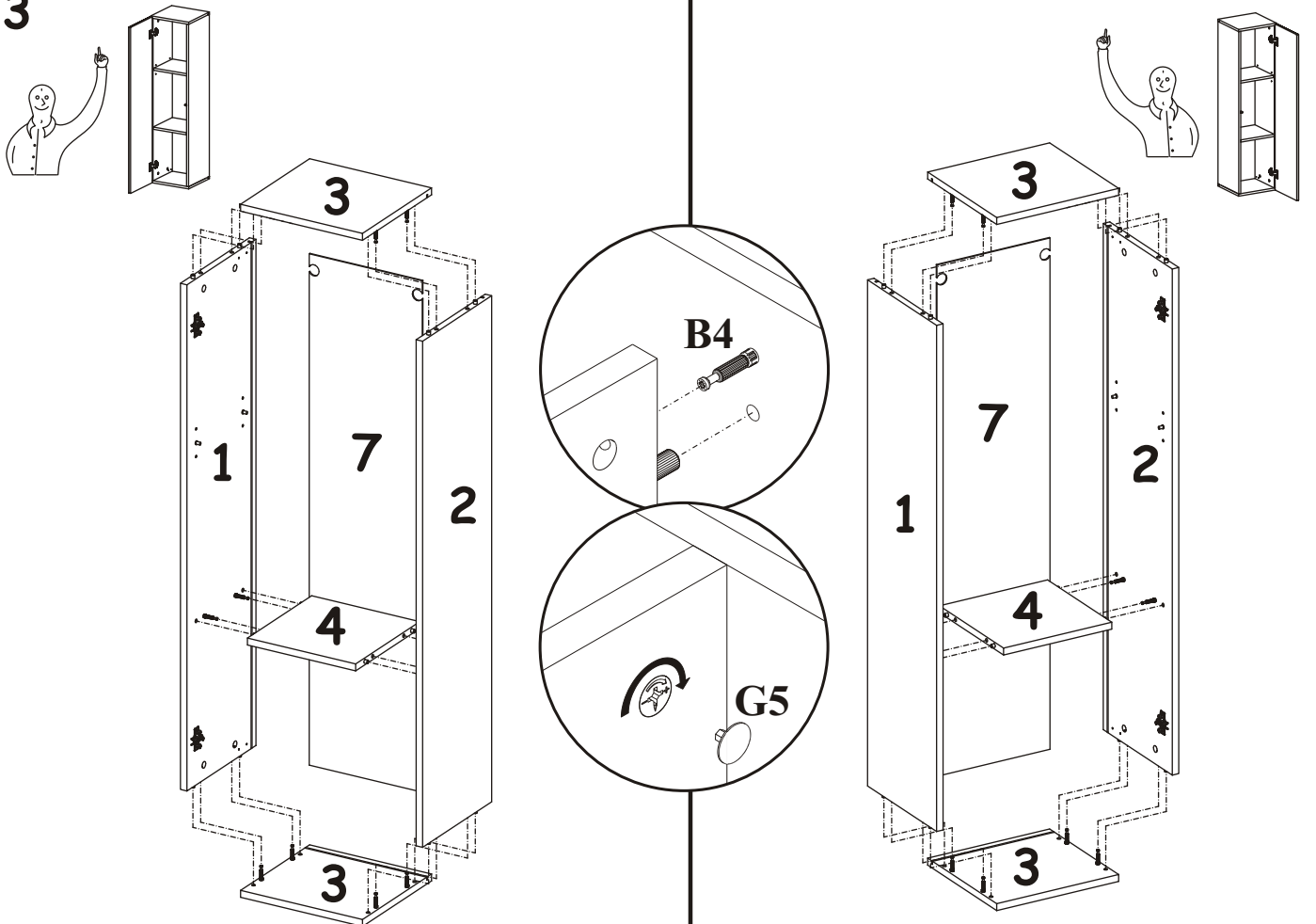
1

SWITCH - SW2

2

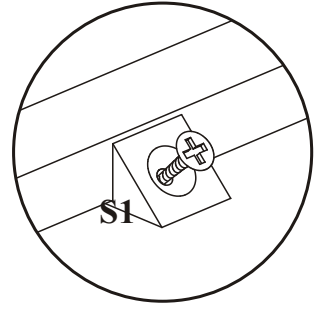
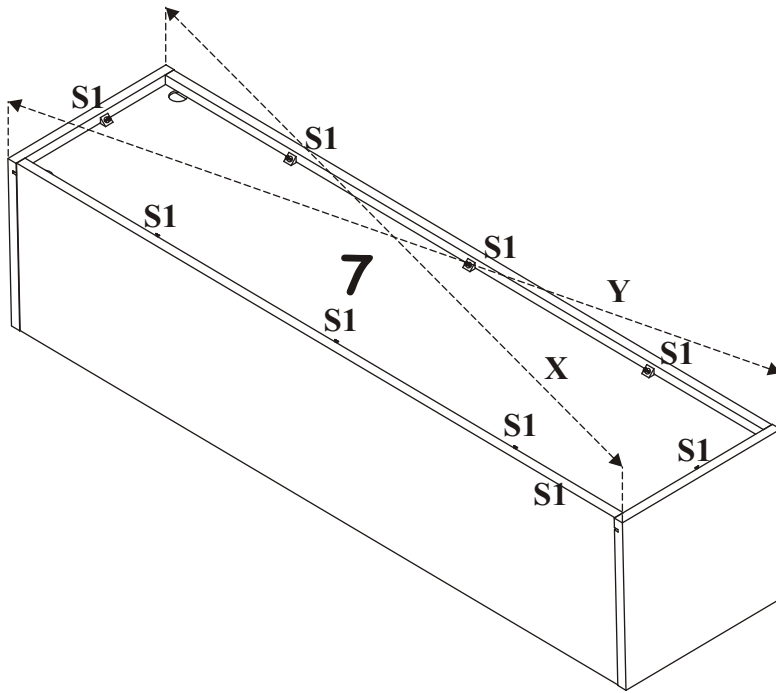


3



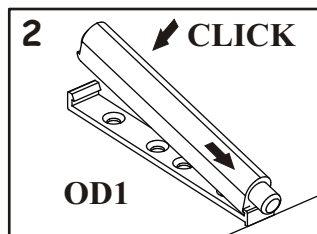
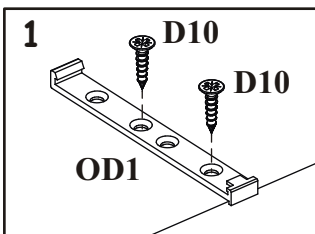
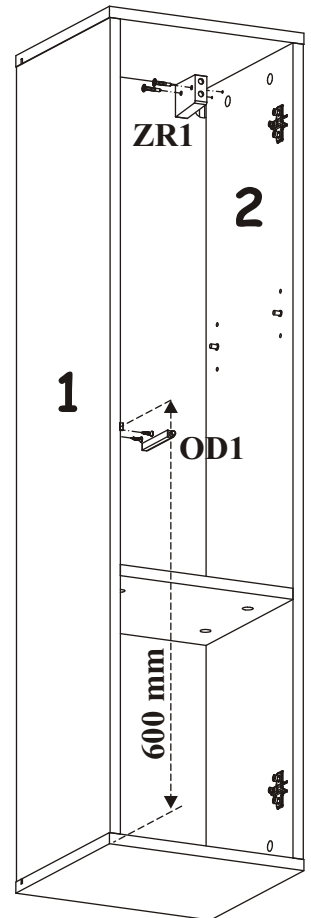
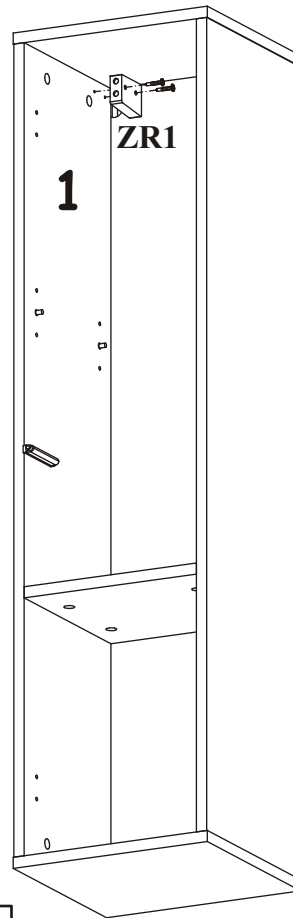
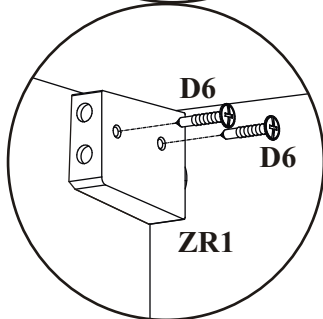
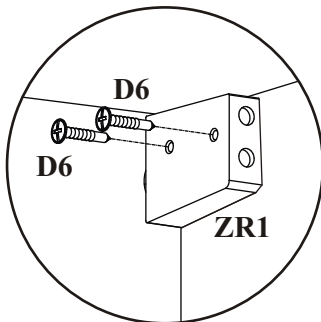
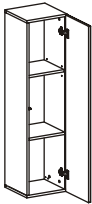
SWITCH - SW2

4



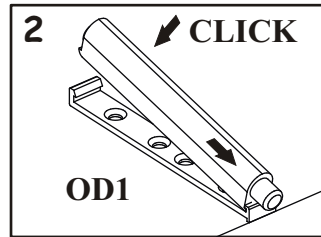
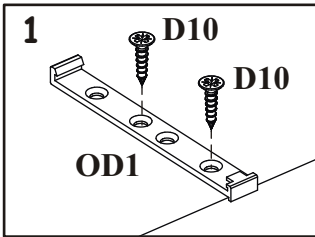
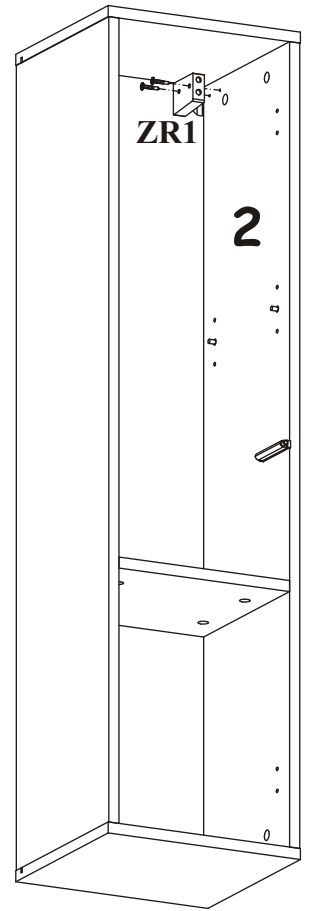
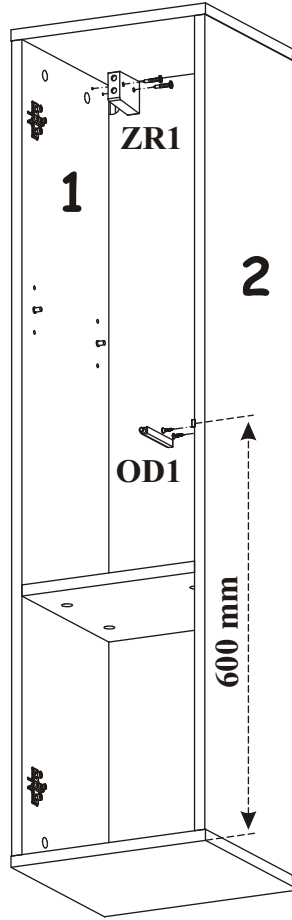
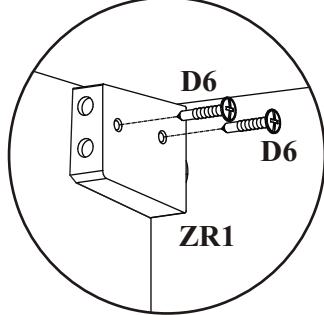
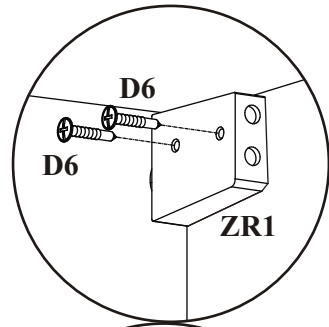
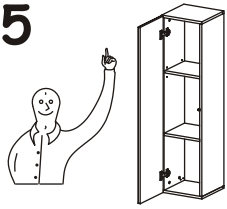
$X=Y$   $\begin{matrix} \uparrow \\ 90^\circ \end{matrix}$

5

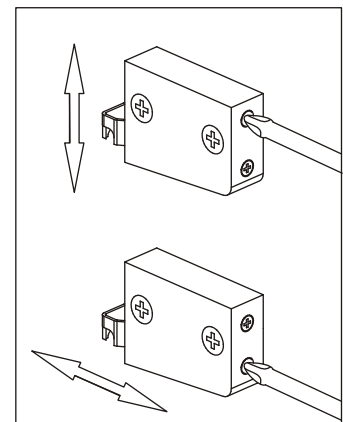
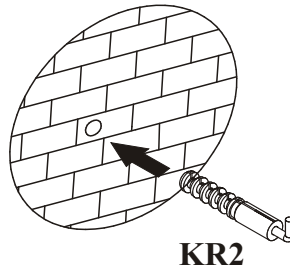
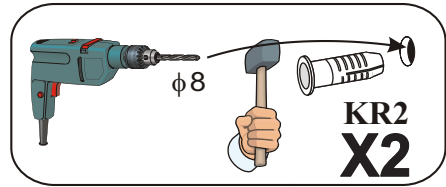
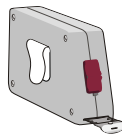
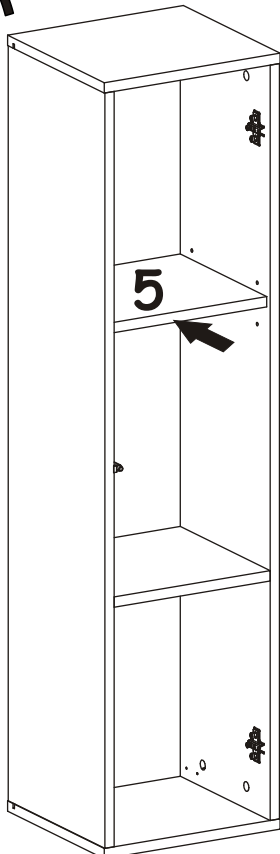
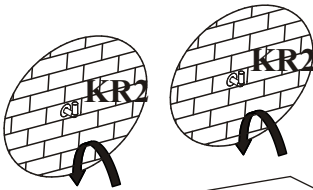


# SWITCH - SW2

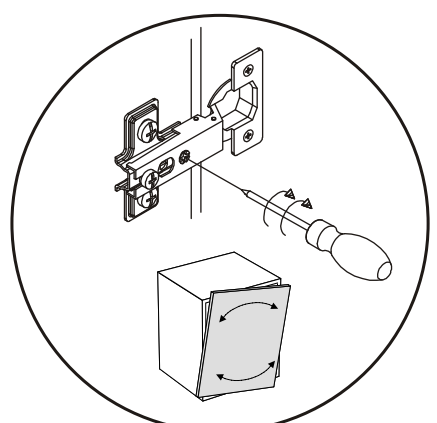
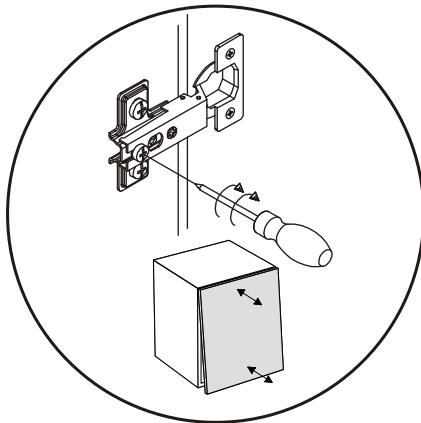
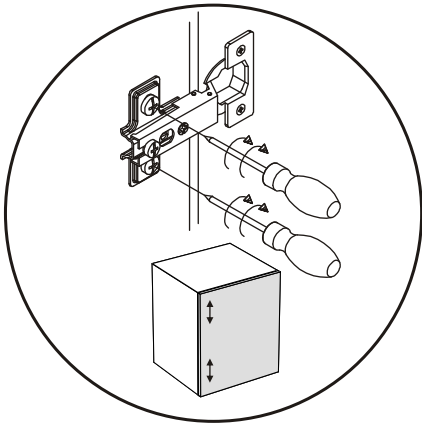
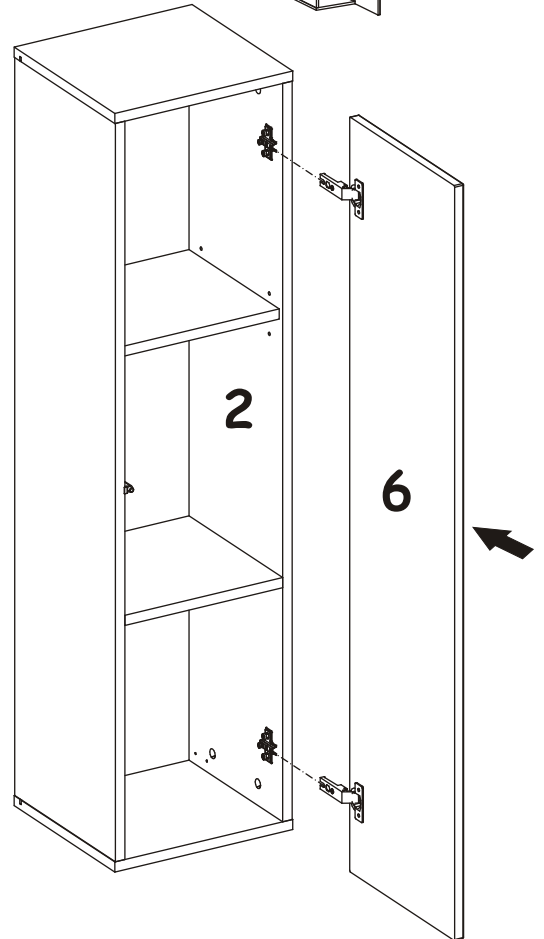
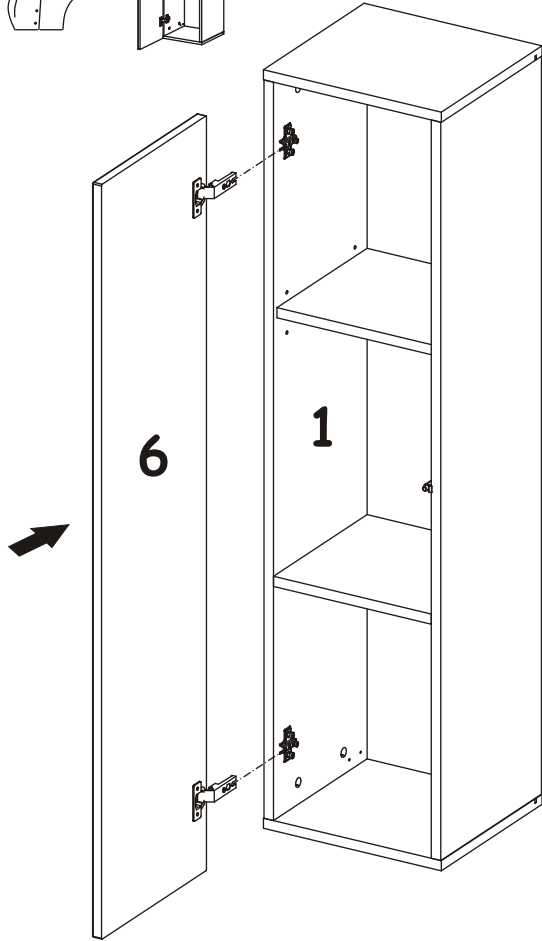
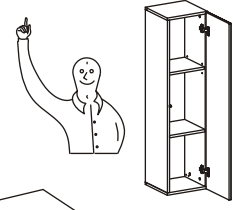
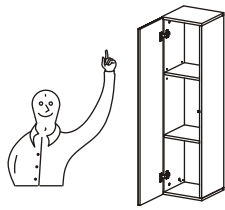
5




6



7



# SWITCH WTL SW2

G1	
x2	Ø26

