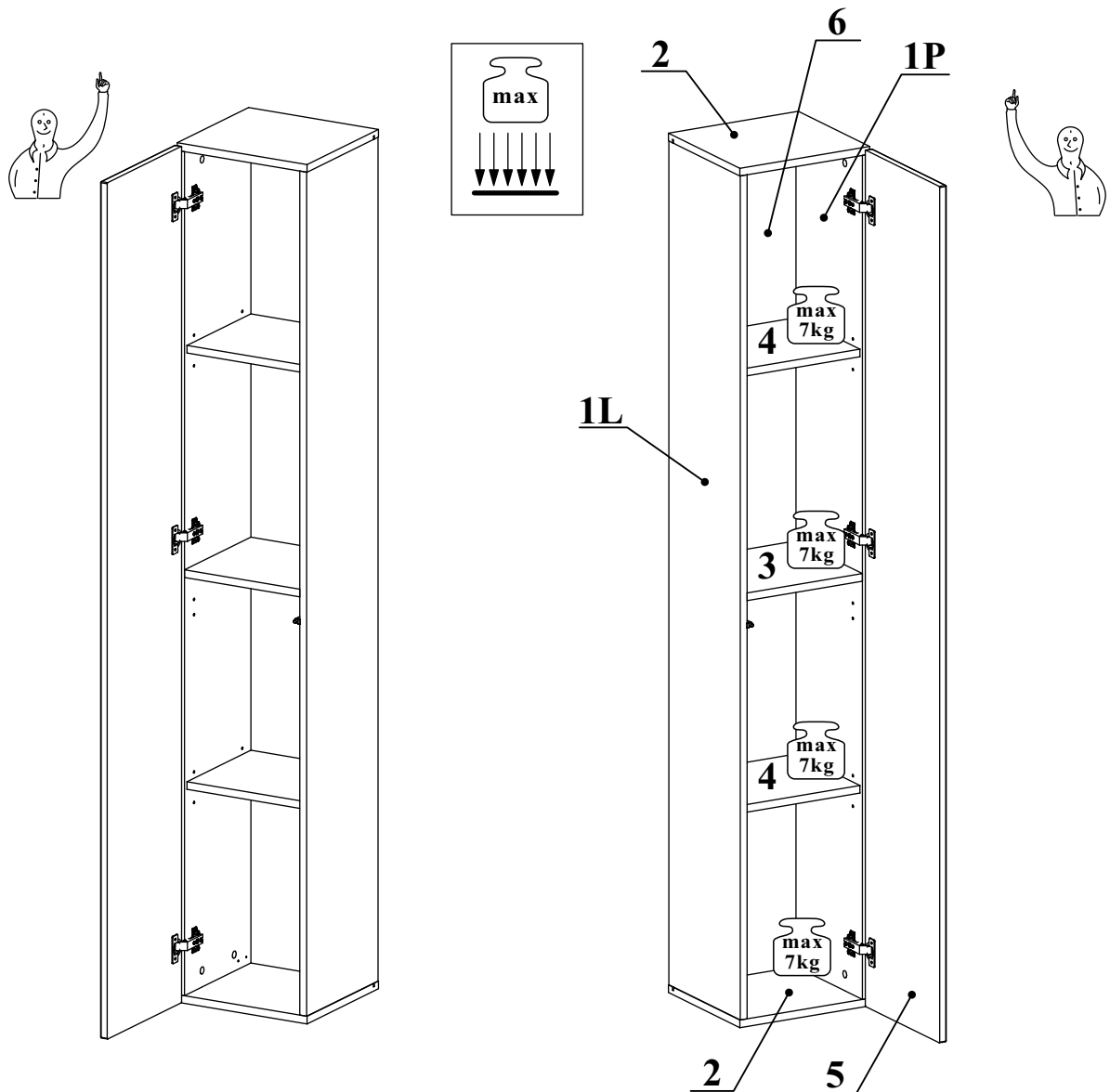
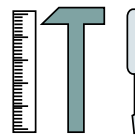


# SWITCH SW1



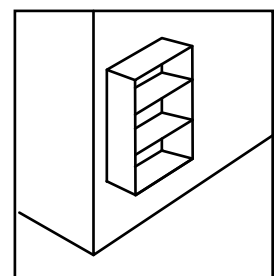
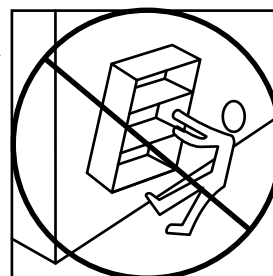
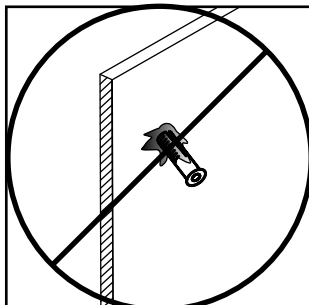
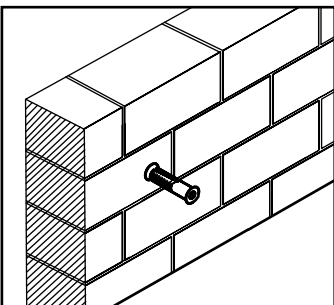
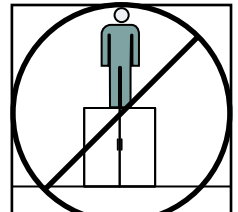
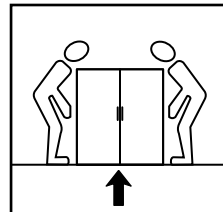
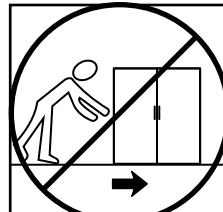
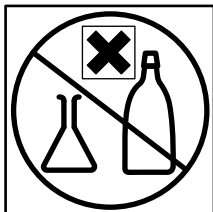
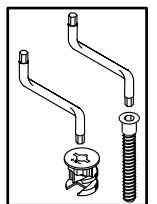
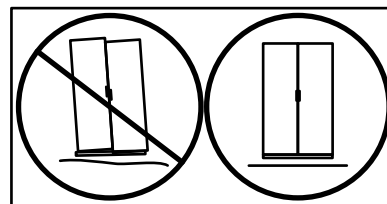
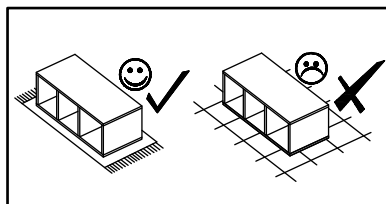
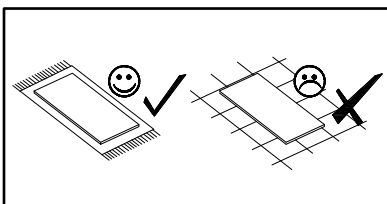
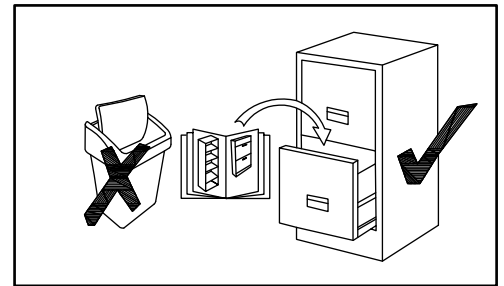
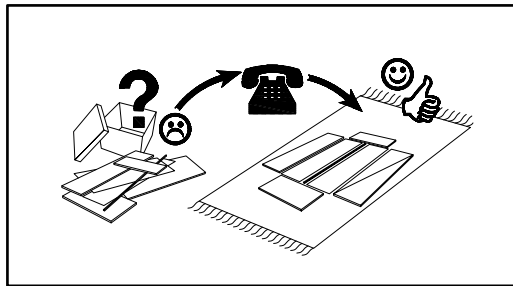
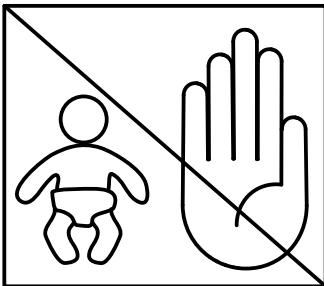
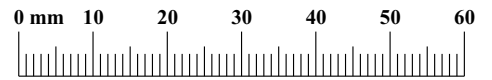
NO	Dim.		Col.-No	Qty
1	1170	284	1	1
2	1170	284	1	1
3	302	284	1	2
5	268	254	1	1
4	268	264	1	1
7	1182	280	1	1
6	296	1196	1	1



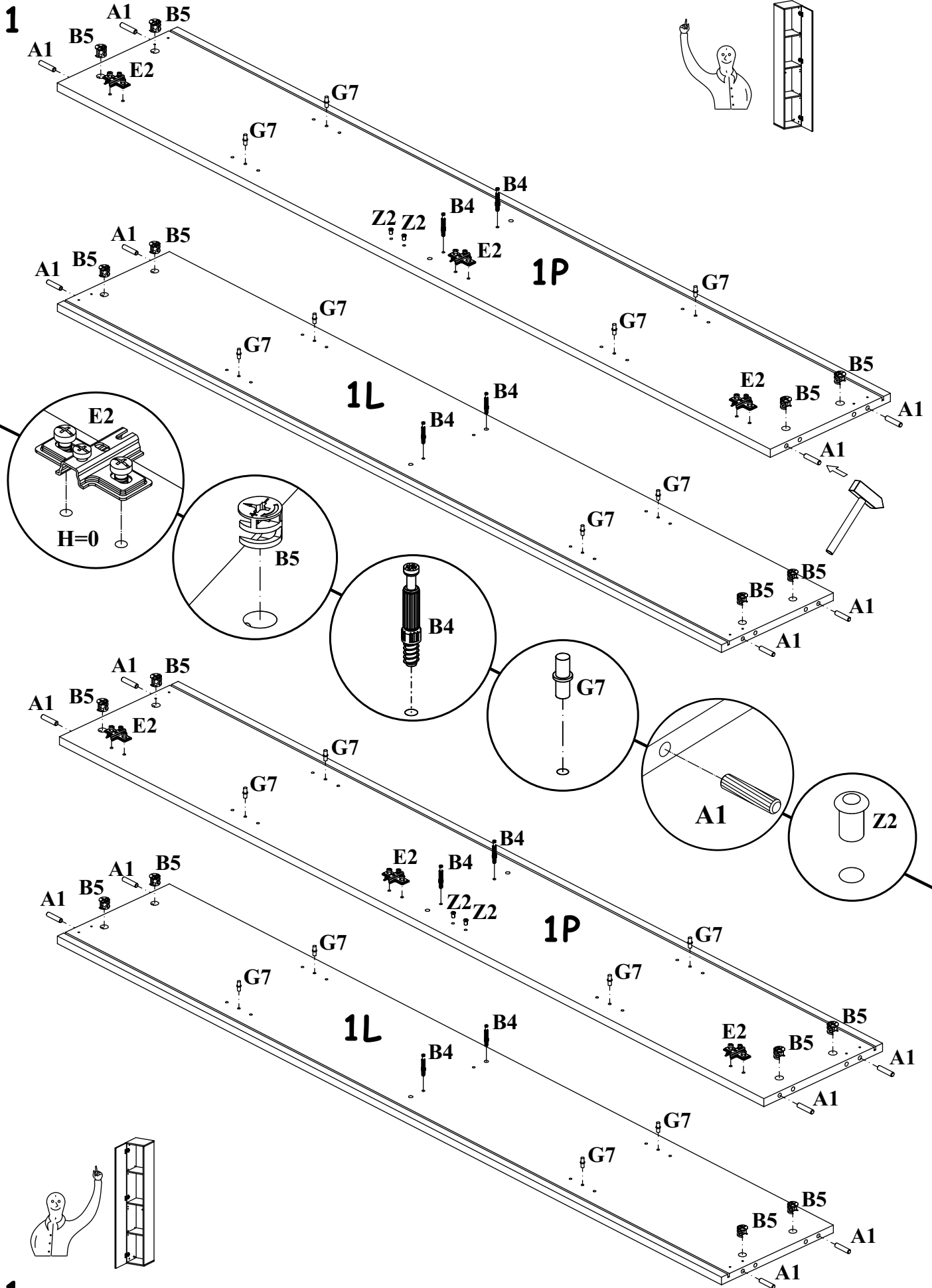
60 min

# SWITCH - SW1

A1 X12 ø8x36	B4 X12	G5 X12	B5 X12 ø15x12	G7 X8	S1 X10
Z2 X2 ø5	D10 X8 USØ3,5x13	G2 X1	E1 X3 Ø26 H=0	E2 X3 H=0	ZR1 X2
D6 X4 USØ3,5x30	OD1 X1	KR2 X2			



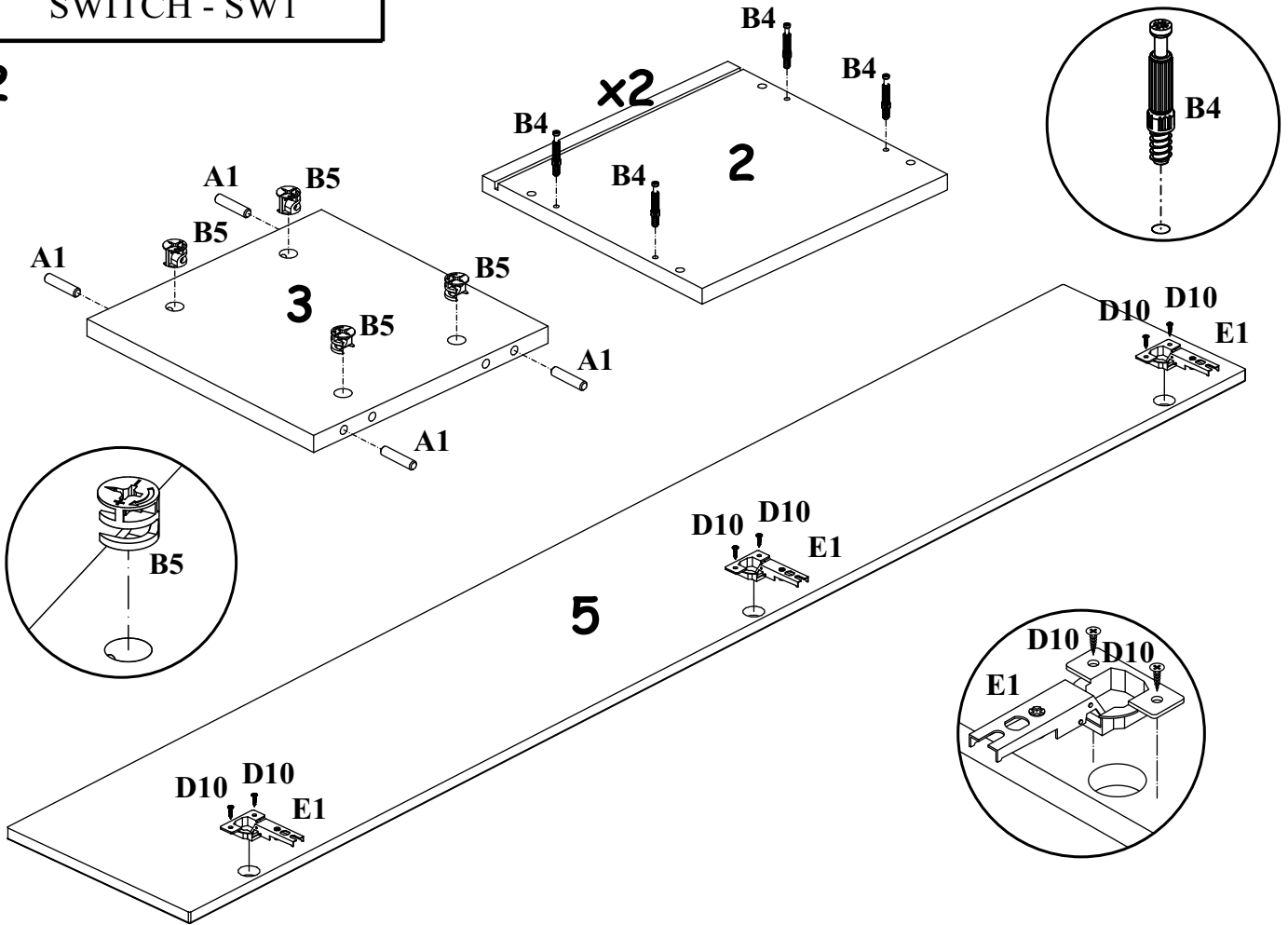
# SWITCH - SW1



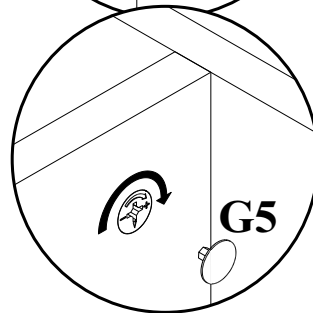
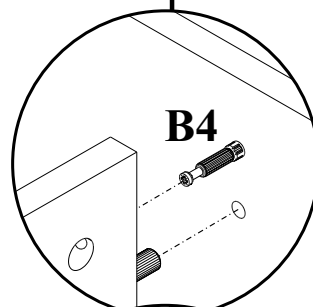
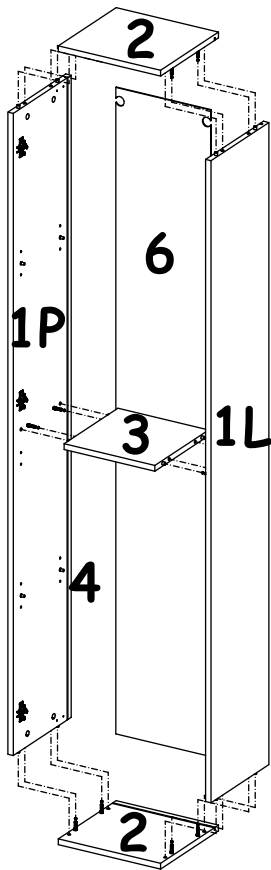
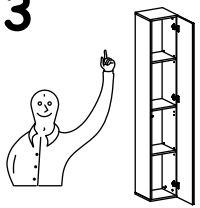
1

# SWITCH - SW1

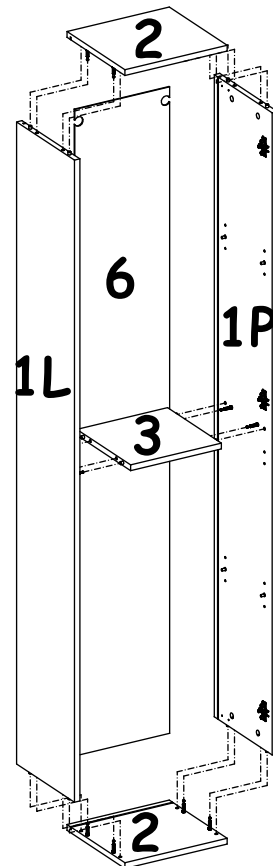
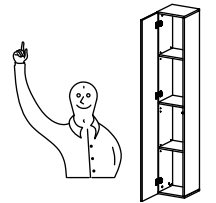
2



3

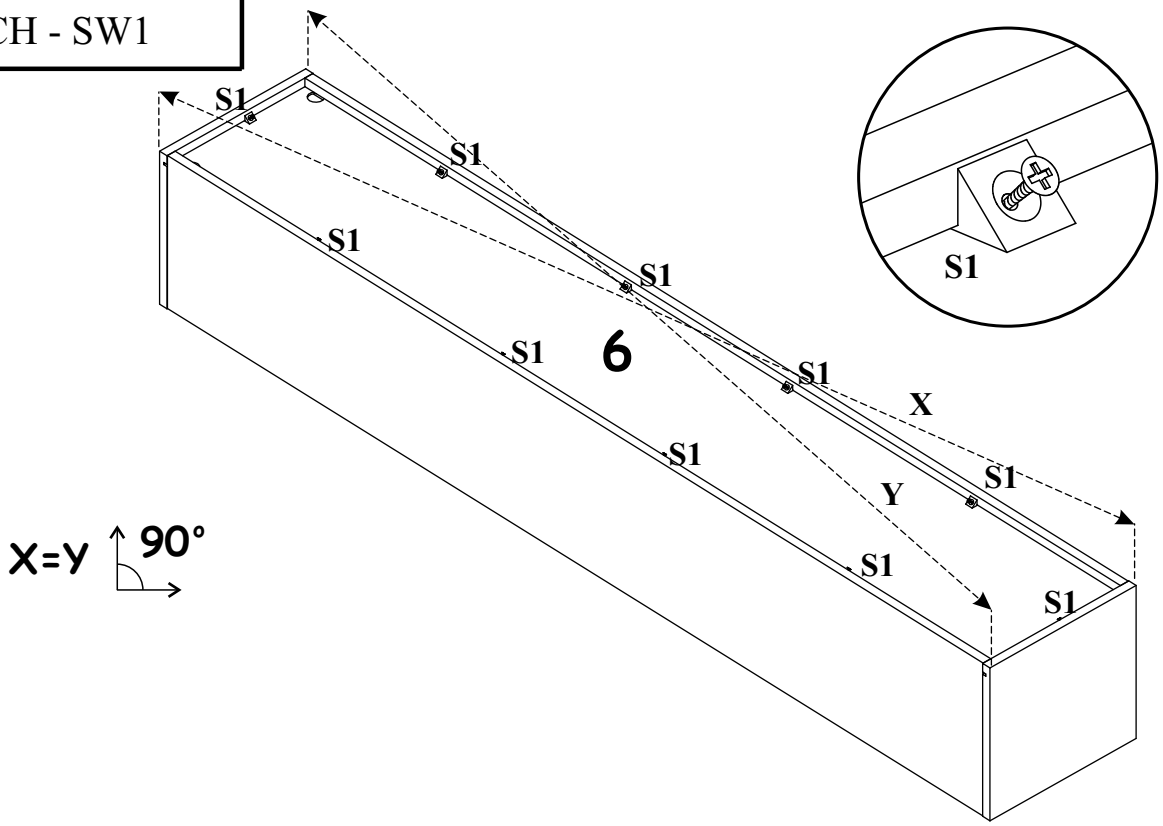


3

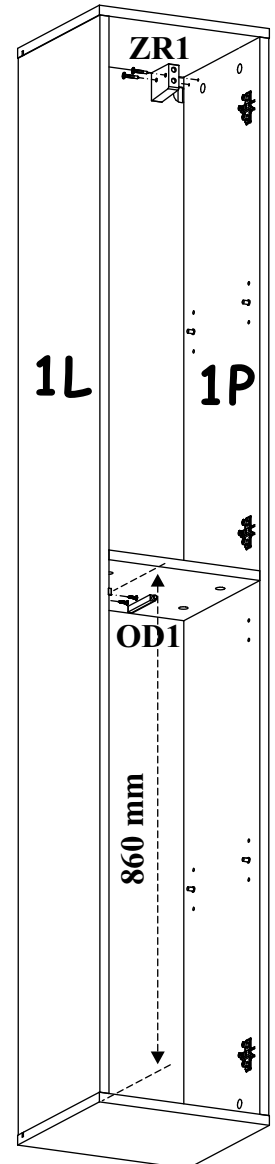
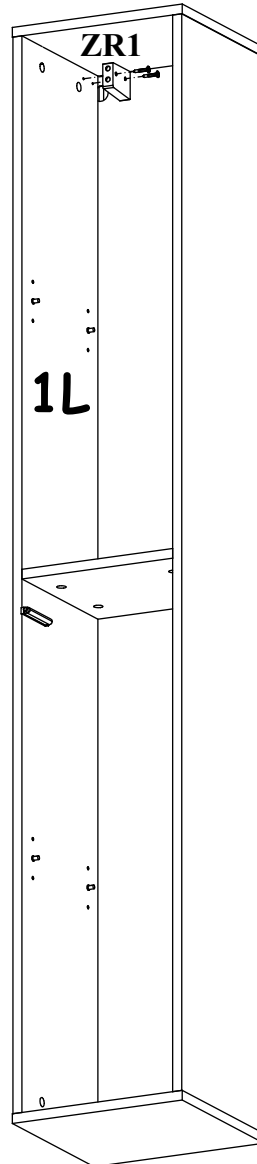
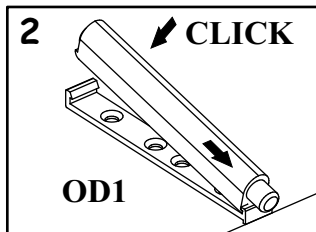
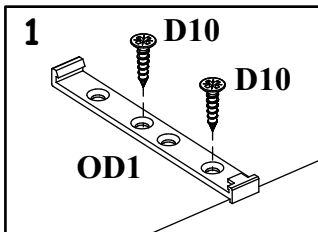
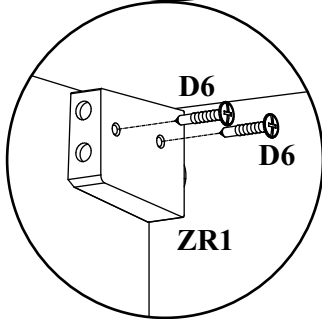
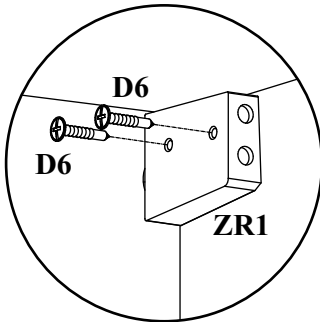
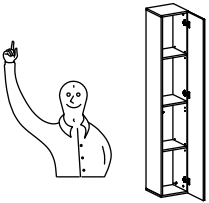


SWITCH - SW1

4

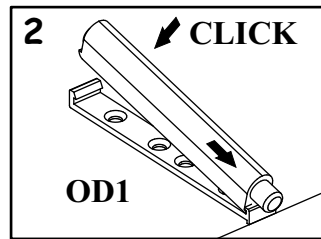
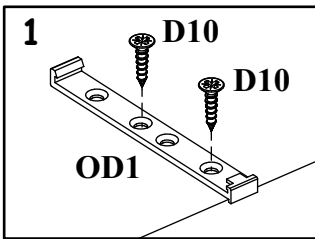
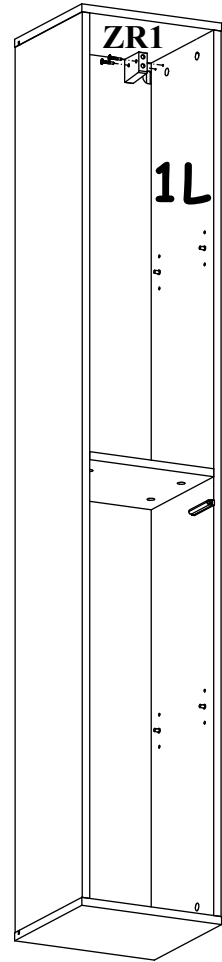
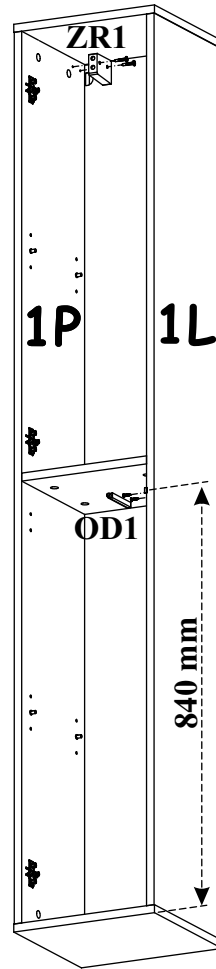
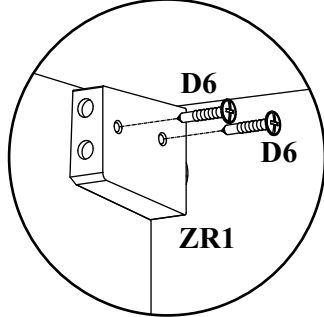
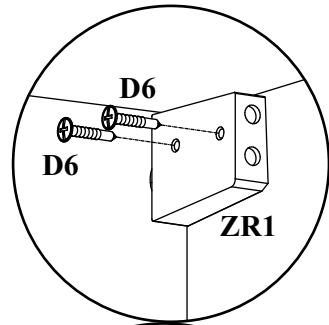
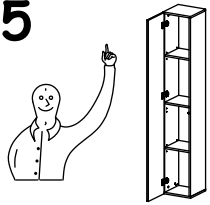


5

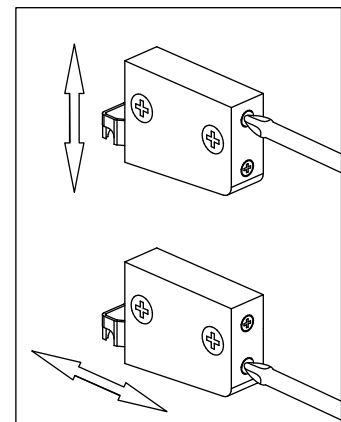
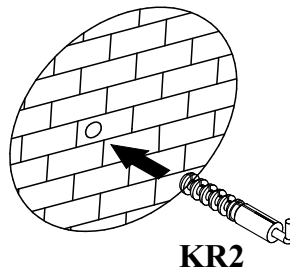
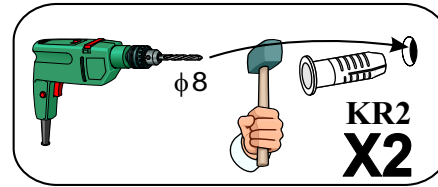
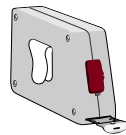
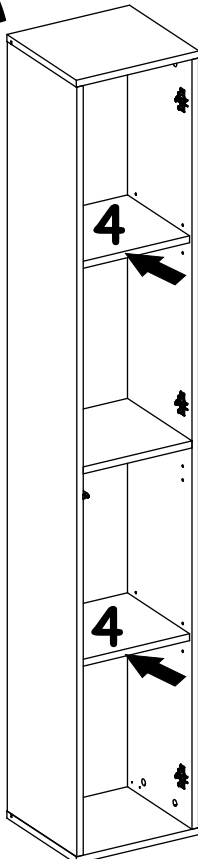
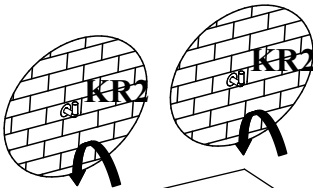


# SWITCH - SW1

5

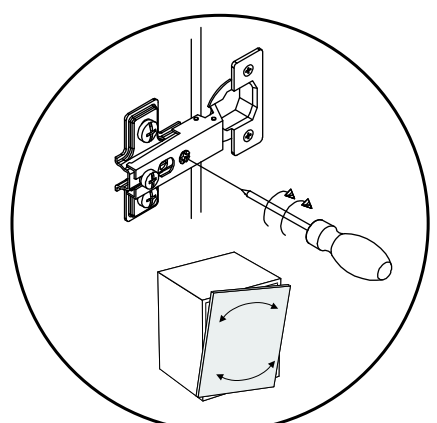
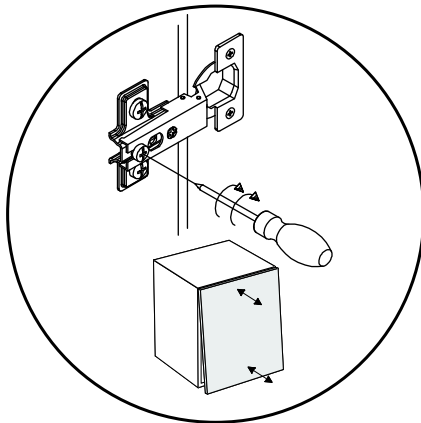
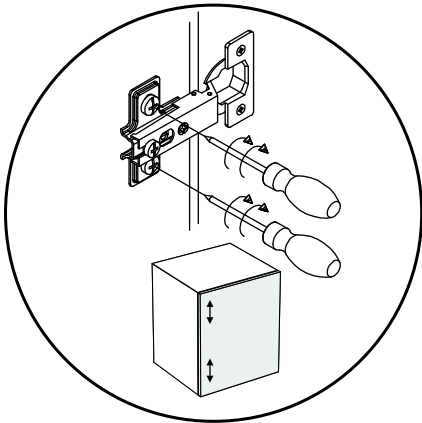
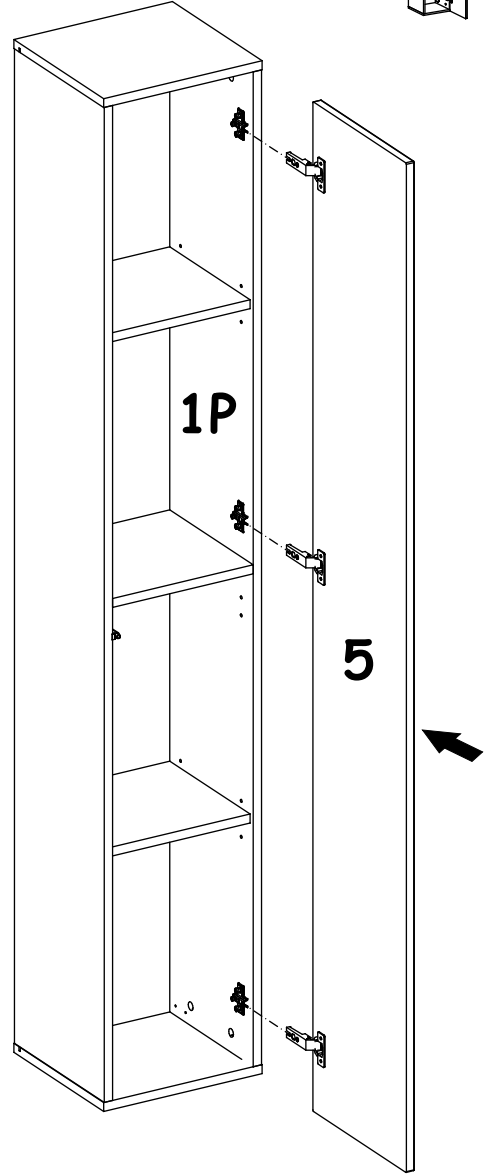
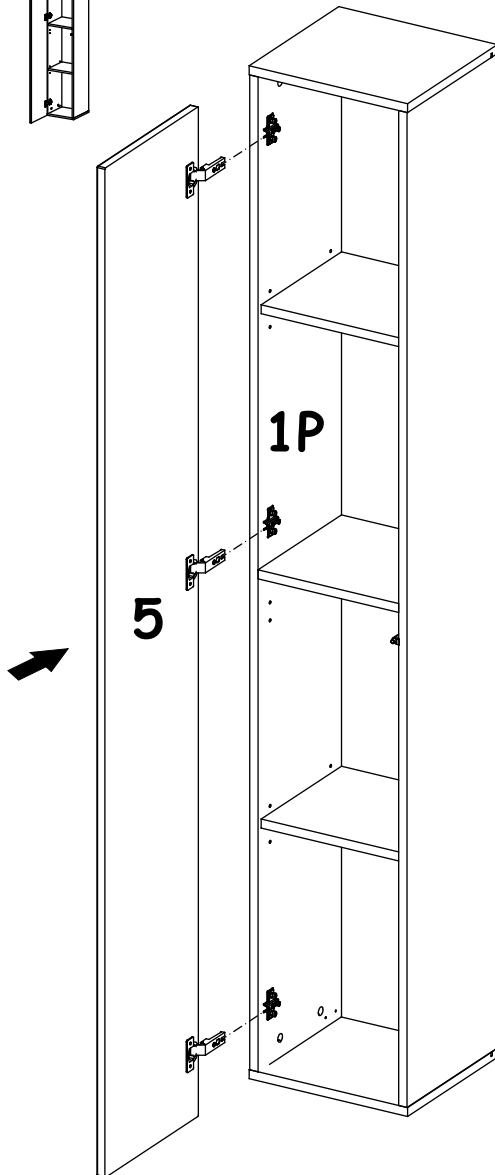
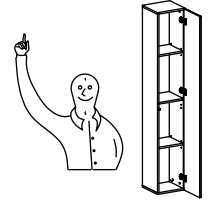
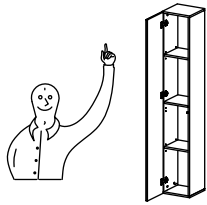


6




SWITCH - SW1

7



# SWITCH WTL SW1

G1	
x3	Ø26

