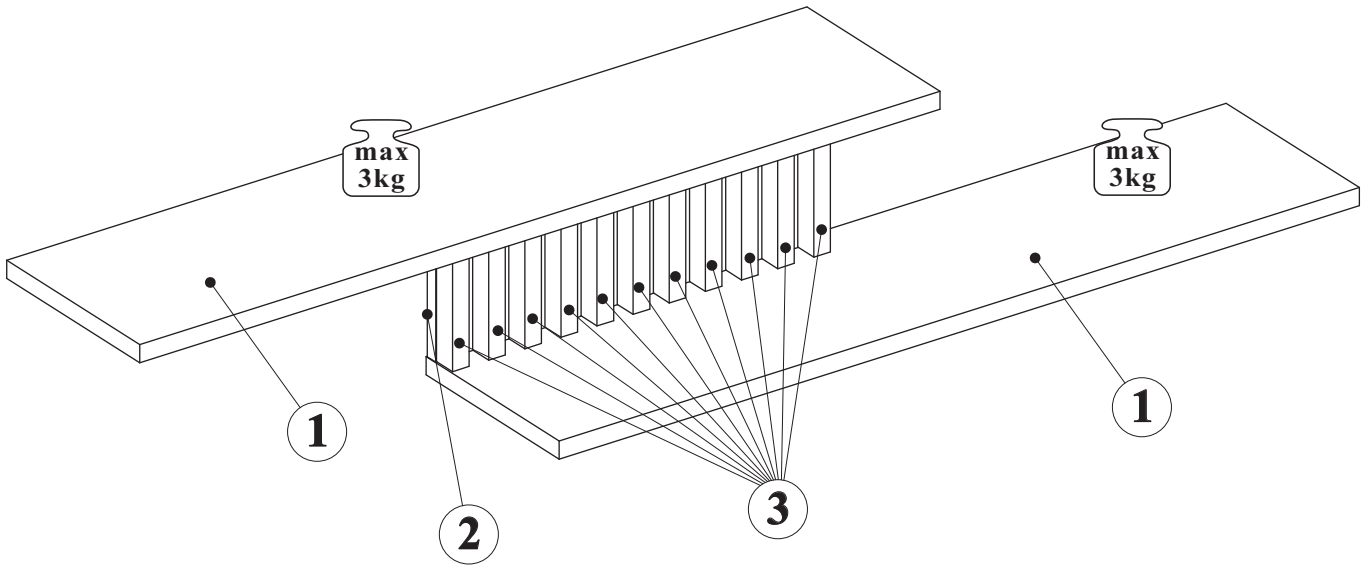
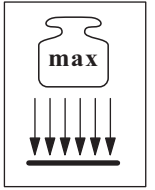
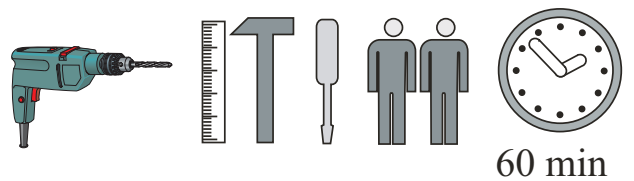


# CAMERON PANEL PW

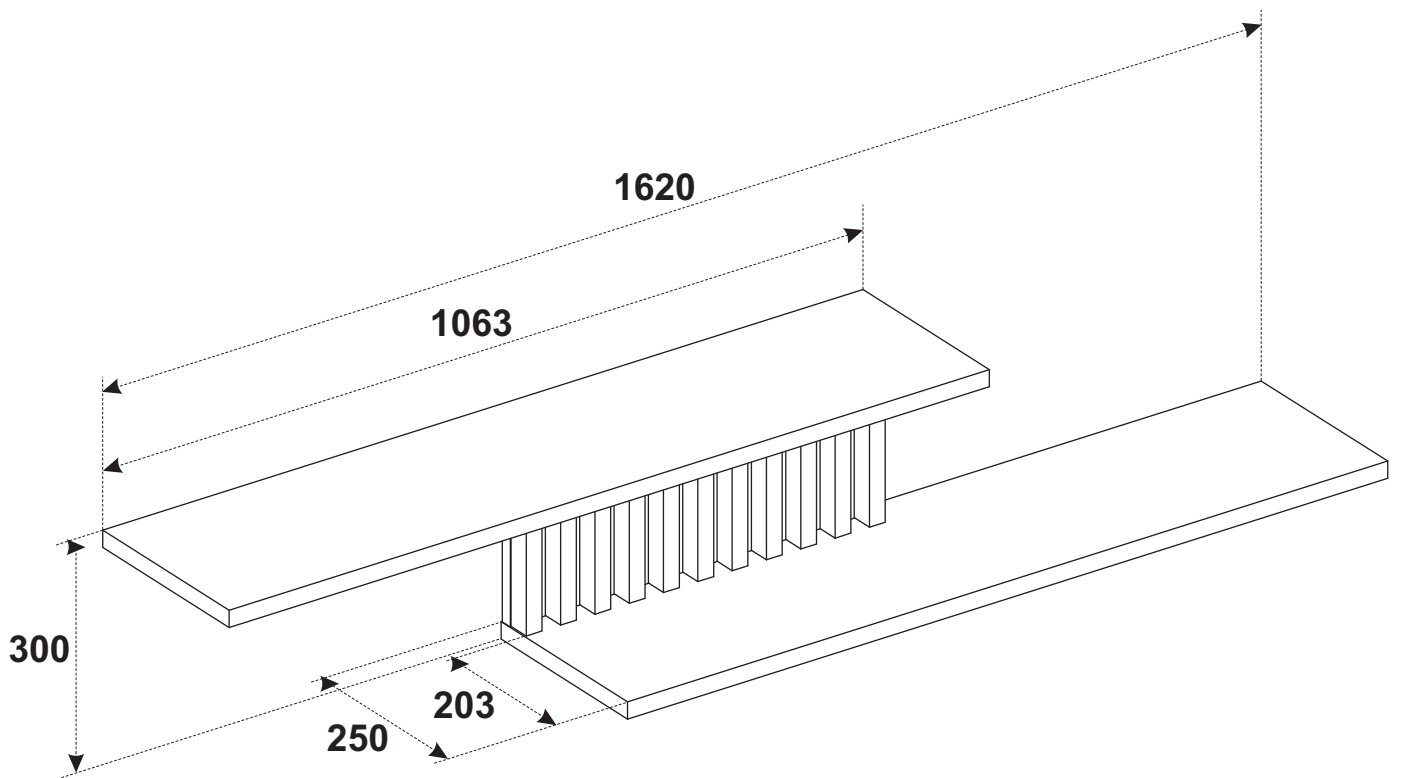


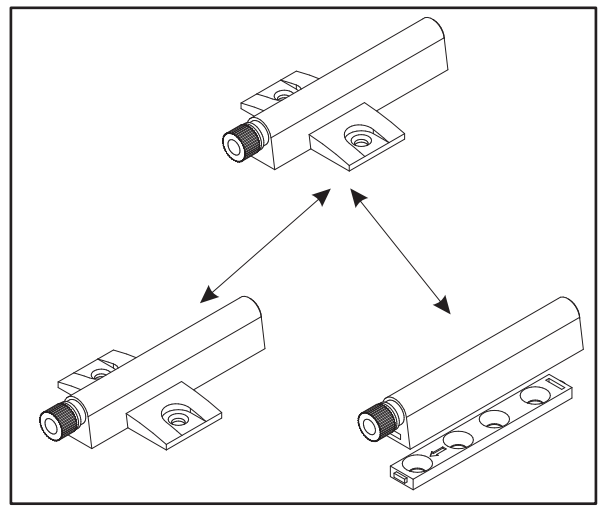
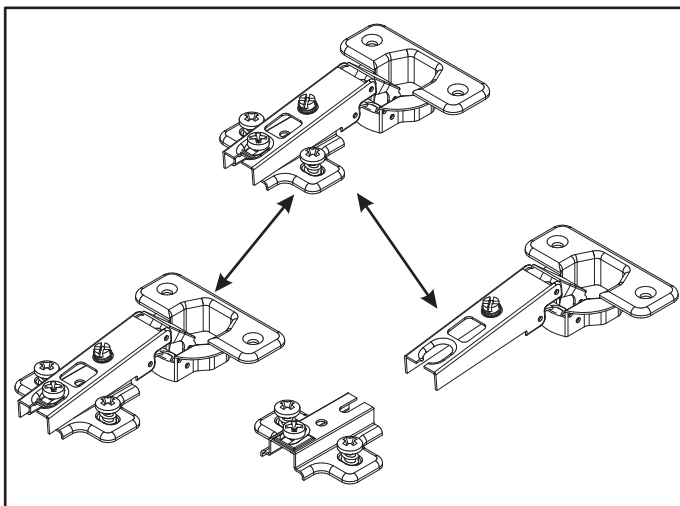
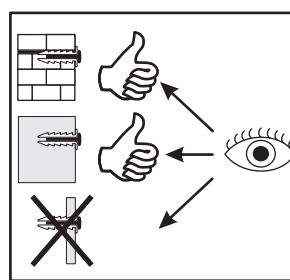
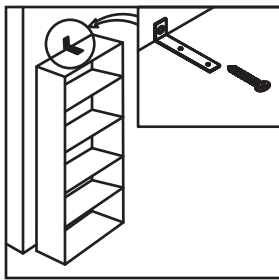
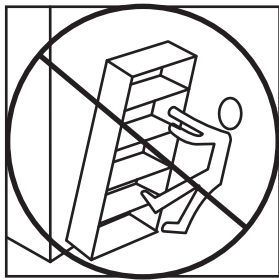
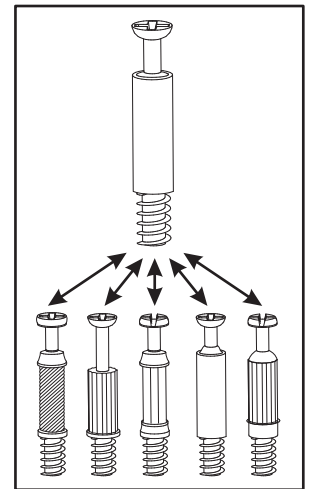
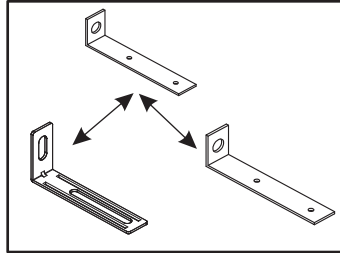
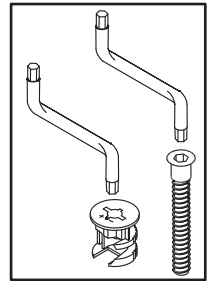
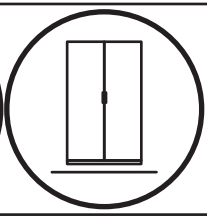
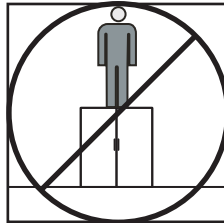
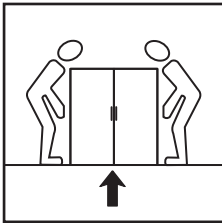
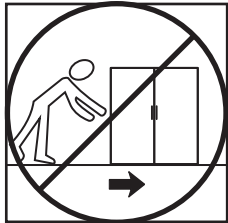
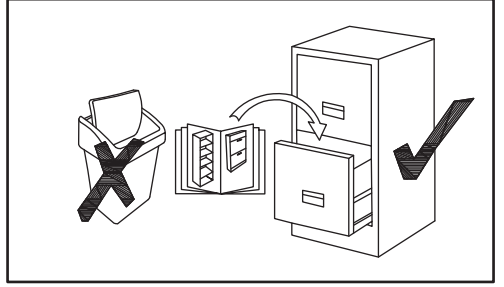
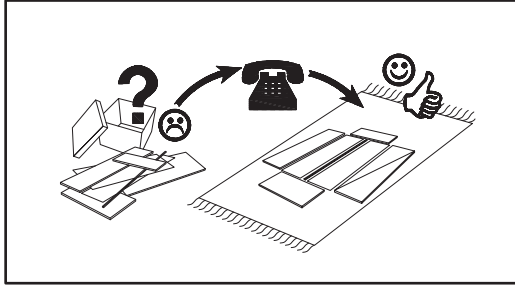
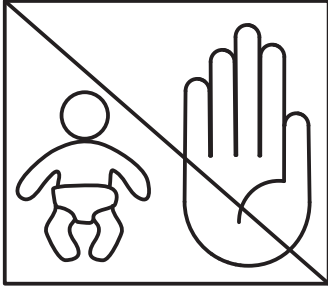
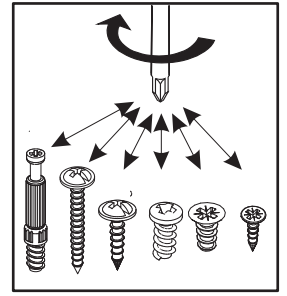
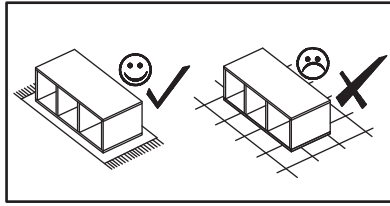
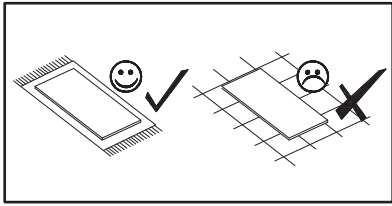
1	1063	250	22	1/1	2
2	504	256	16	1/1	1
3	255	30	22	1/1	11



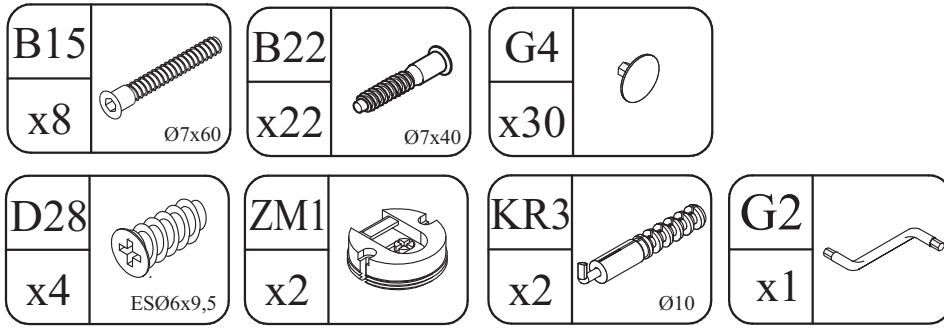
60 min

# CAMERON PANEL PW





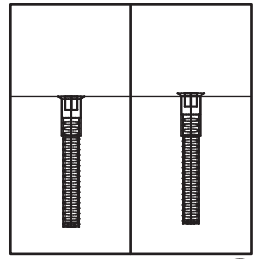
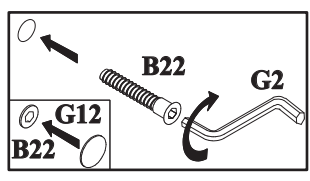
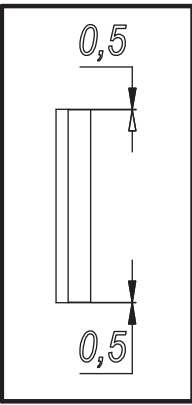
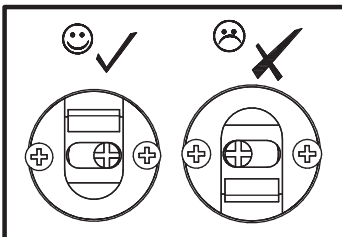
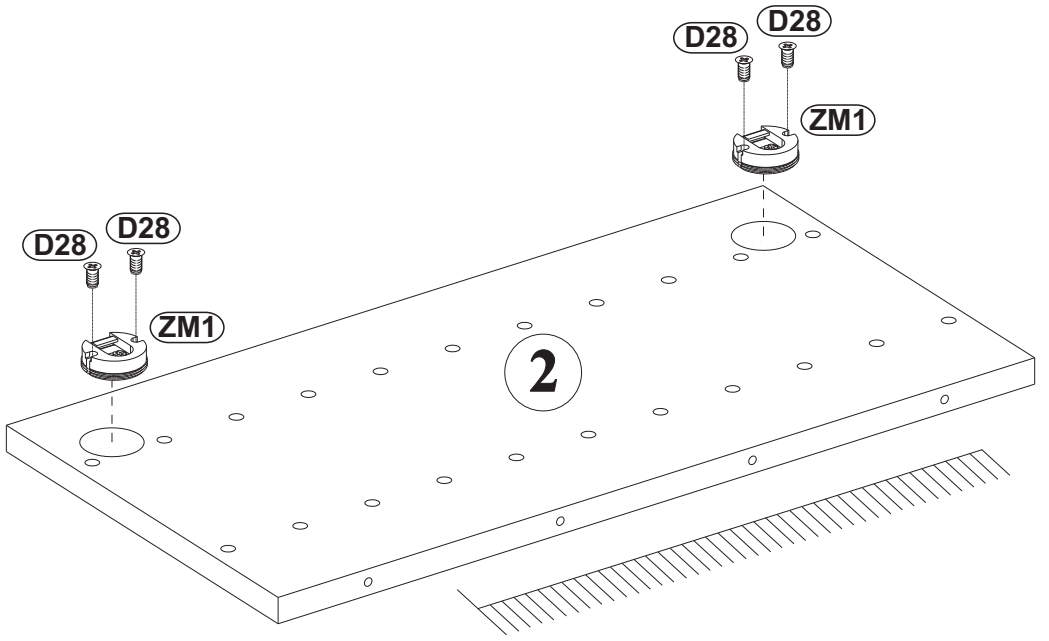
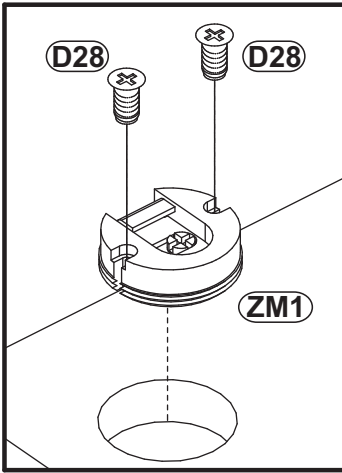
# CAMERON PW



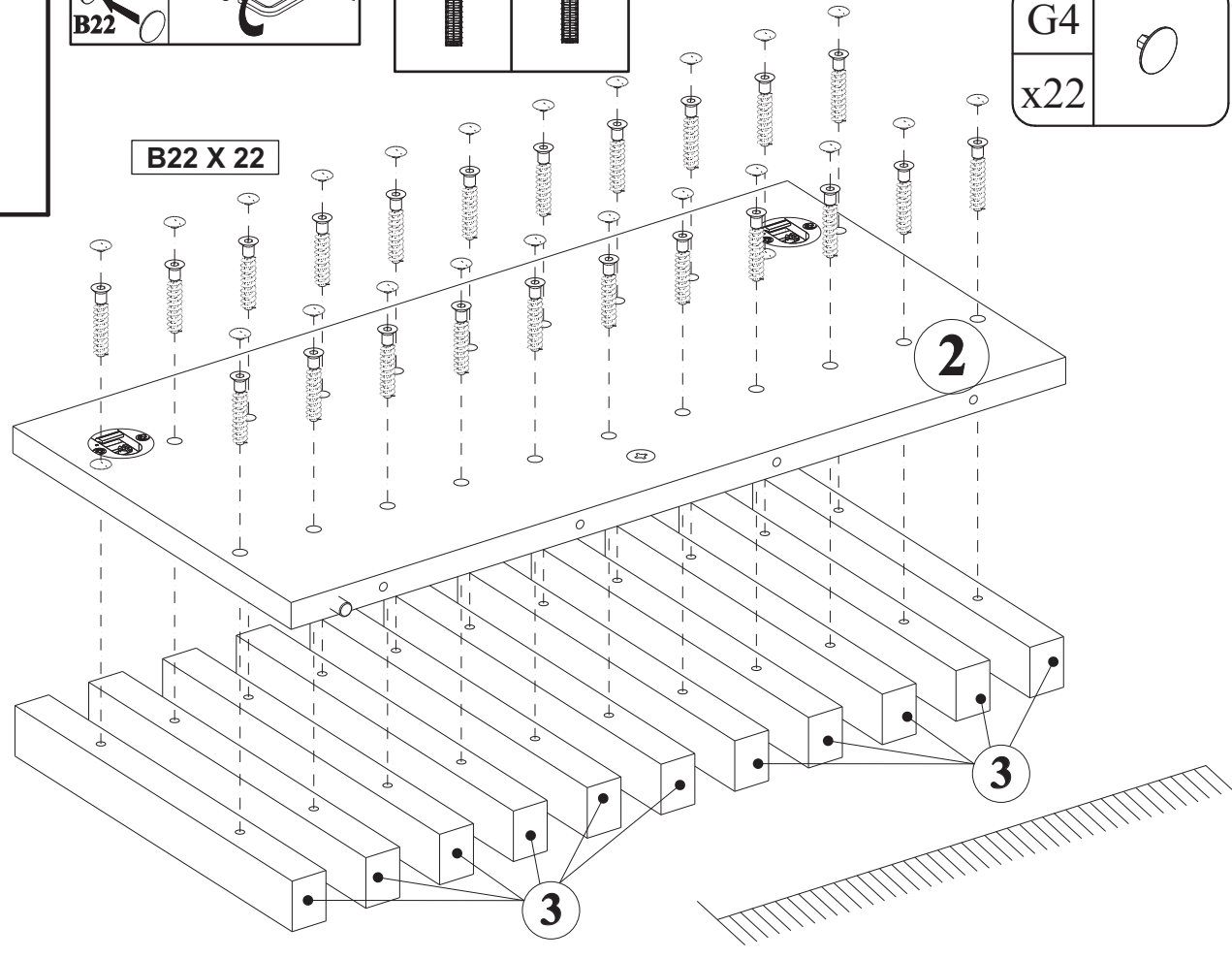
CAMERON PW

1

D28		ZM1	
x4	ES06x9,5	x2	

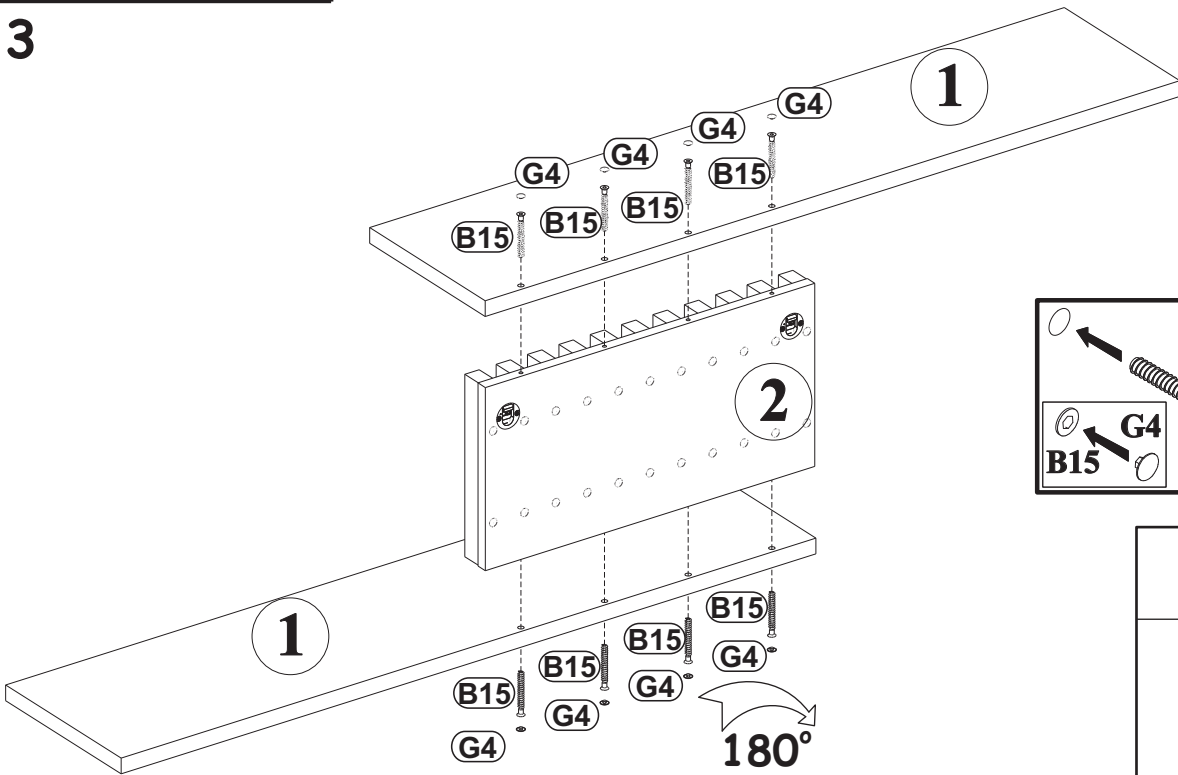


G2		B22	
x1		x22	Ø7x40
		G4	
		x22	



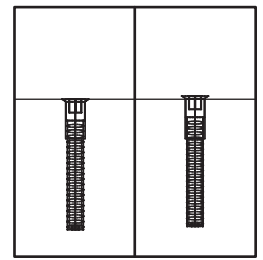
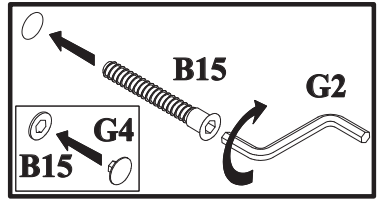
CAMERON PW

3

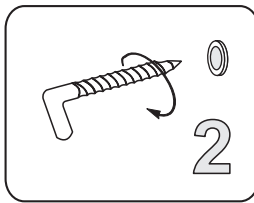
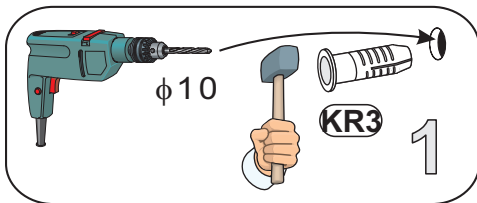
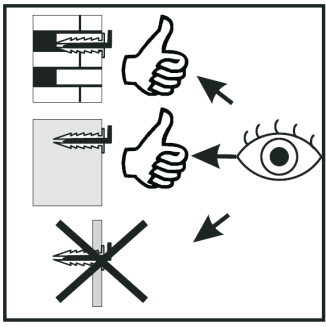


B15	
x8	Ø7x60

G4	
x8	



4



KR3	
x2	Ø10

