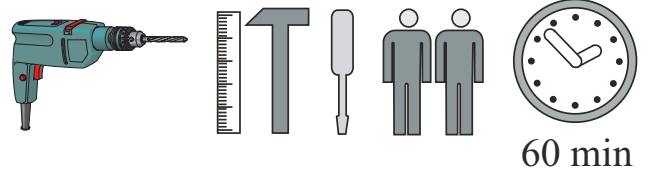
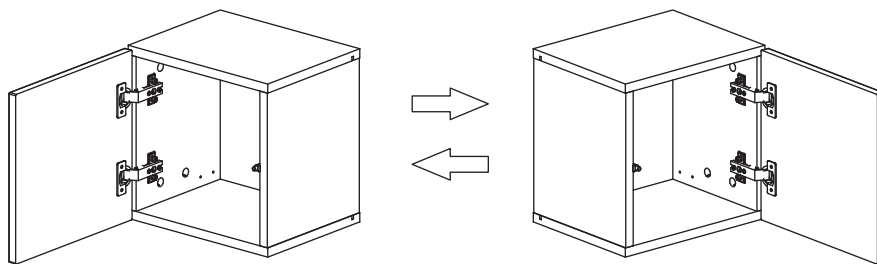
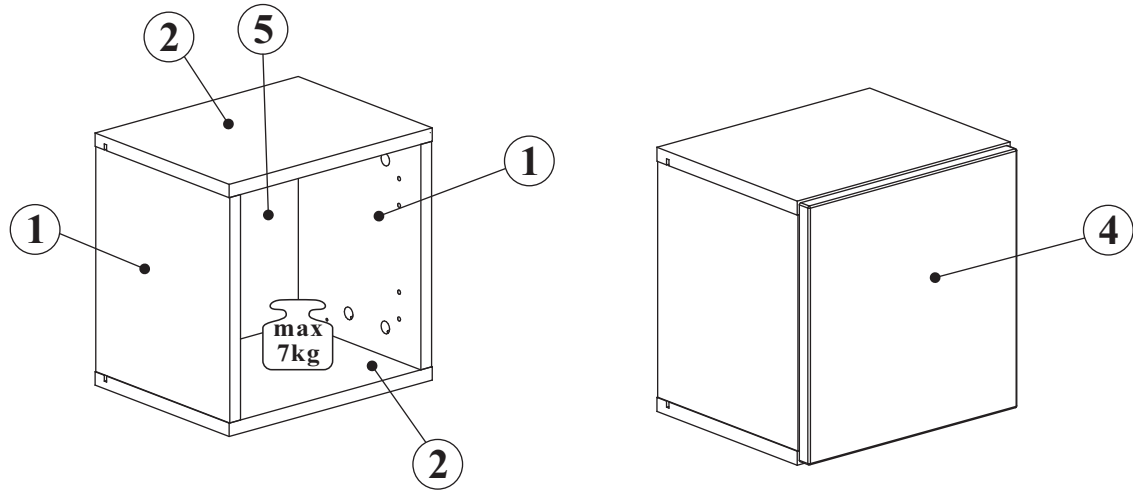
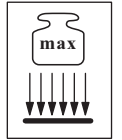


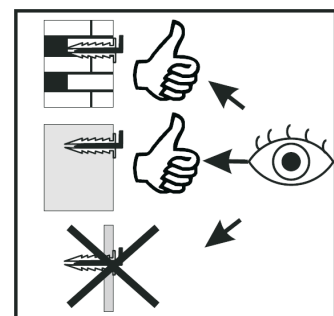
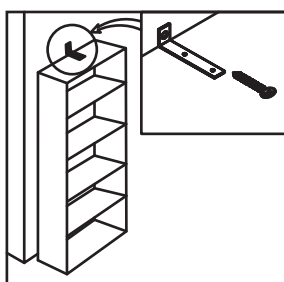
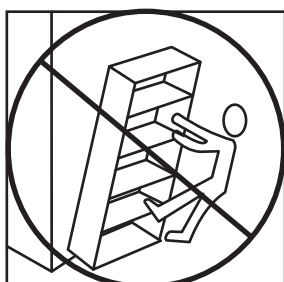
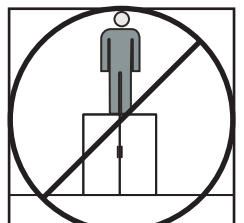
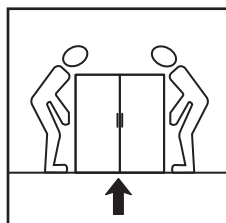
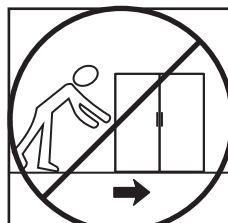
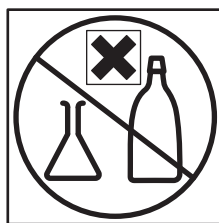
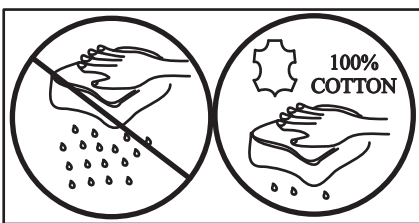
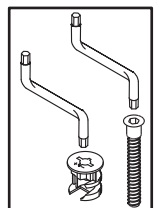
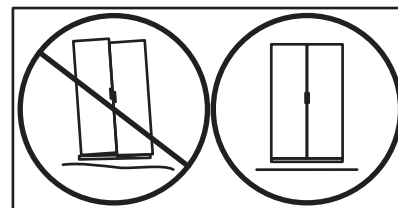
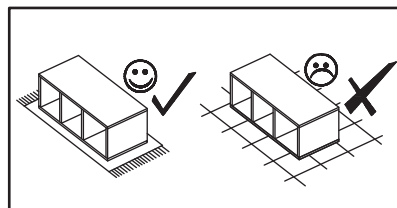
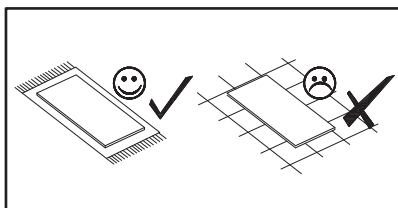
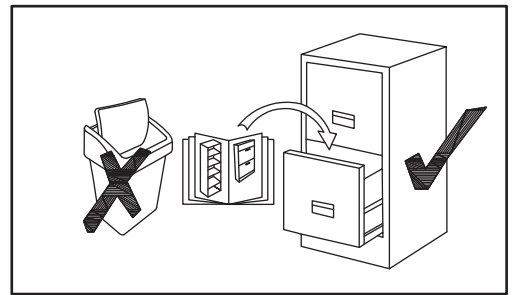
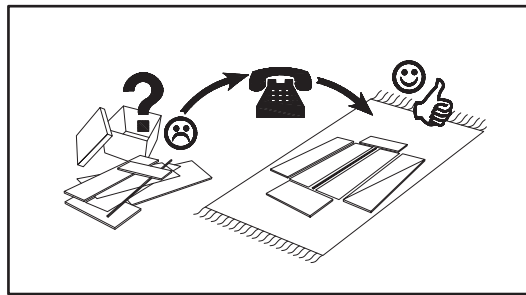
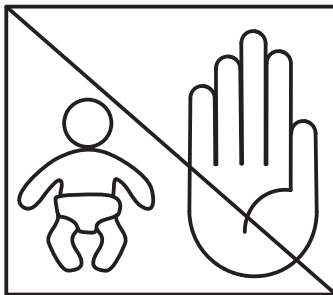
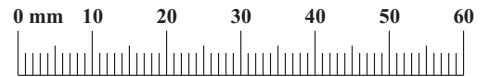
SWITCH 27 -- SW SW 5



NO	Dim.			Col-No	Qty
1	270	234	16	1	2
2	302	234	16	1	2
5	282	280	3	1	1
4	296	296	16	1	1

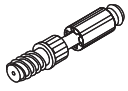
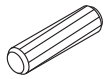
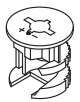
SWITCH SW 5

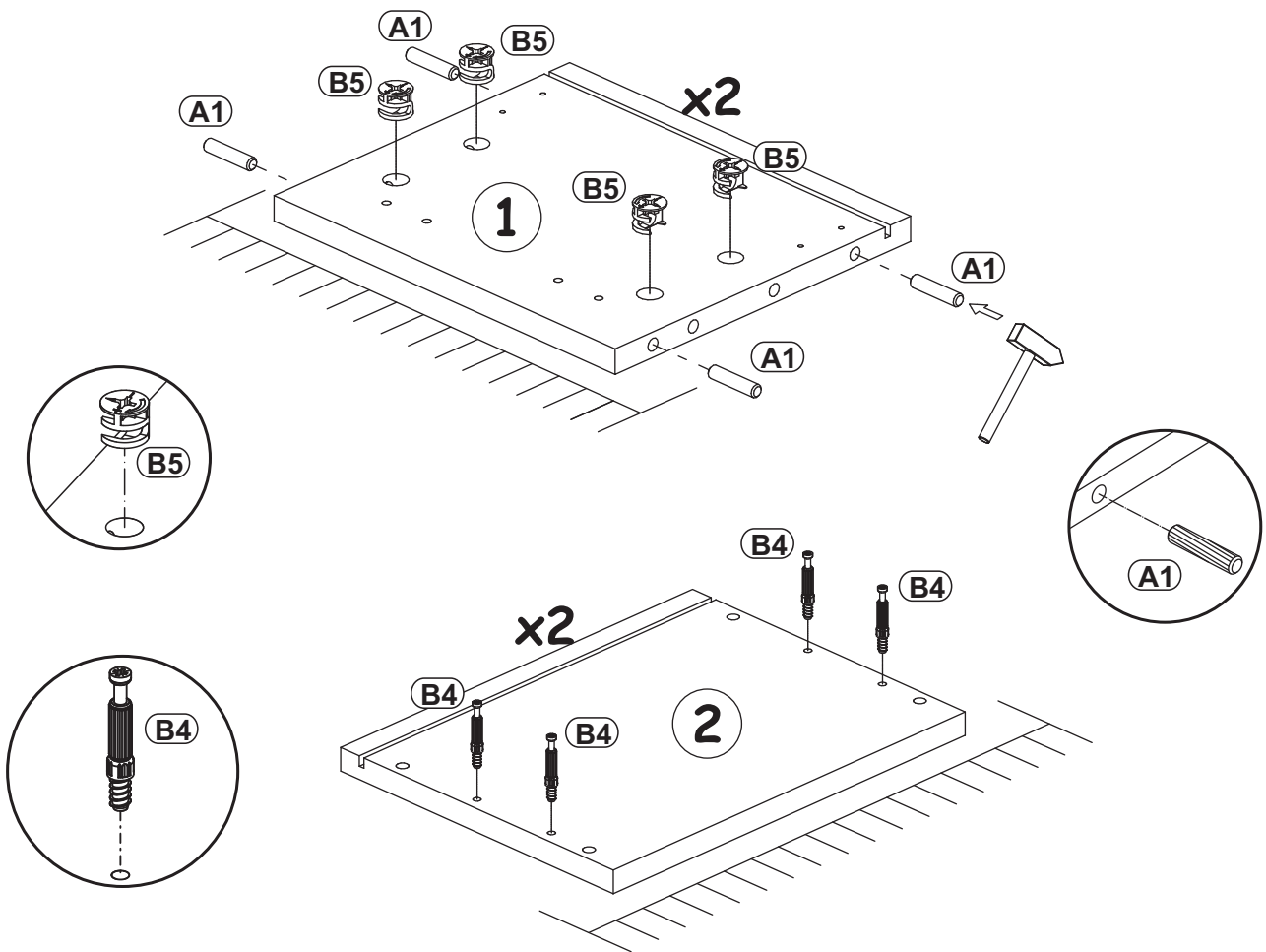
A1 x8 ø8x36	B4 x8	G5 x8	B5 x8 ø15x12	ZR1 x2	D6 x4 USØ3,5x30
E1 x2 Ø26 H=0	E2 x2 H=0	D10 x6 USØ3,5x13	T1 x1	S1 x4	KR2 x2 Ø8
G2 x1	Z2 x4 Ø5				



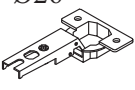

SWITCH SW 5

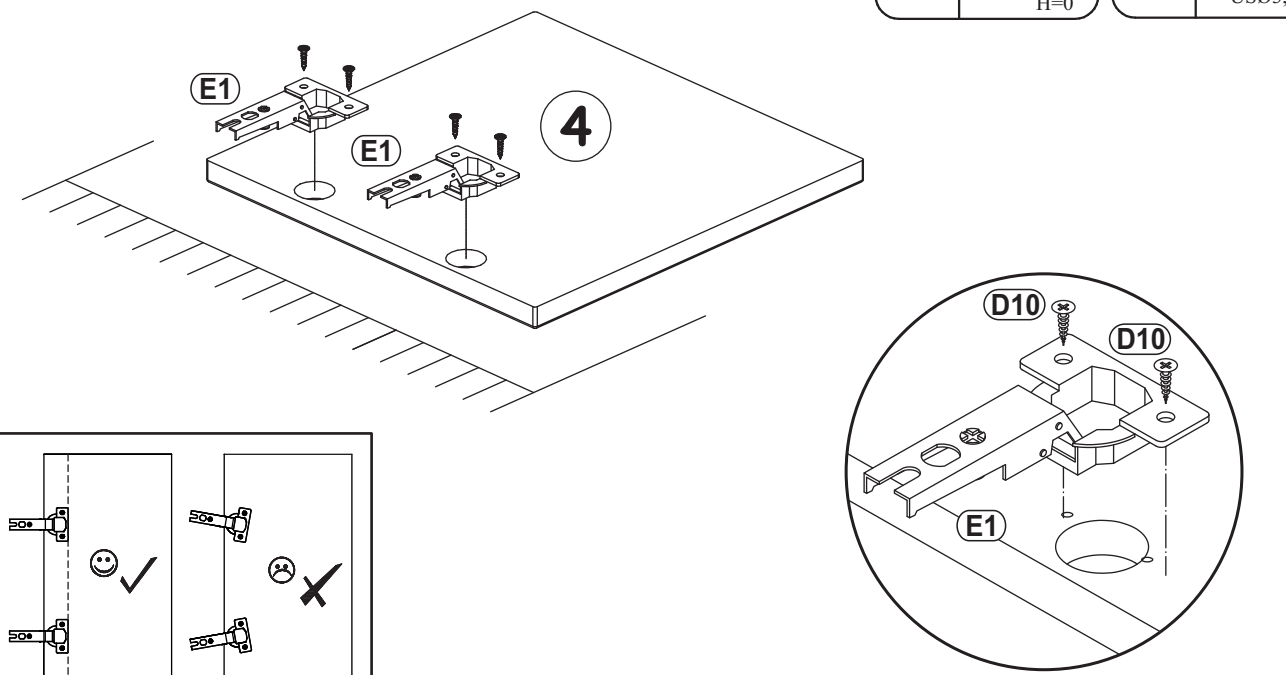
1

B4		A1		B5	
x8		x8	ø8x36	x8	ø15x12




2

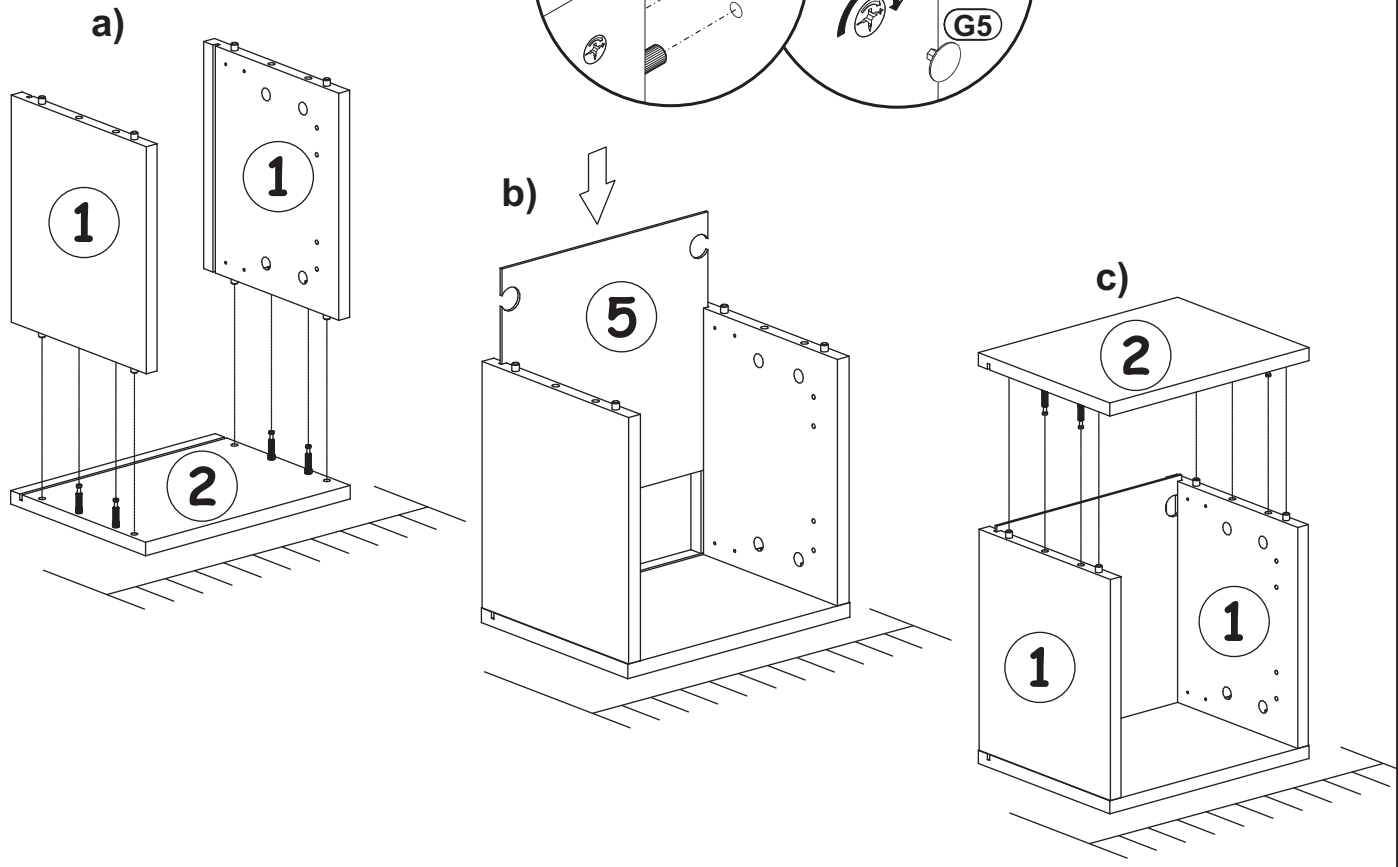
E1		D10	
x2	Ø26 H=0	x4	USØ3,5x13



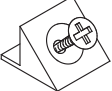
SWITCH SW 5

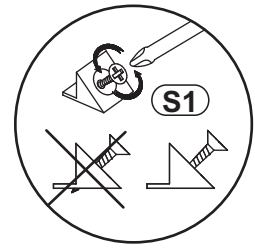
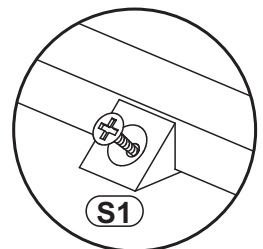
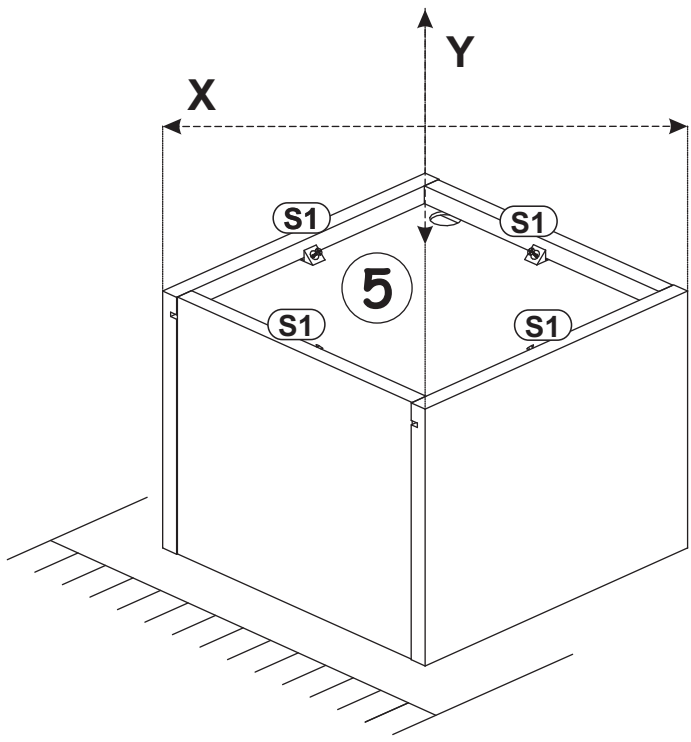
3

G5	
x8	

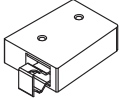



4

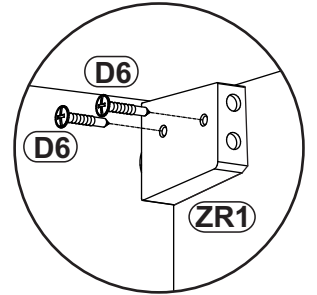
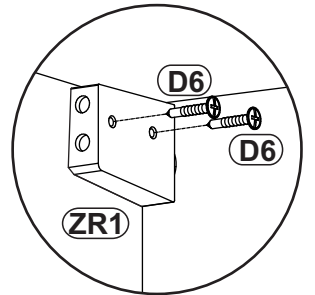
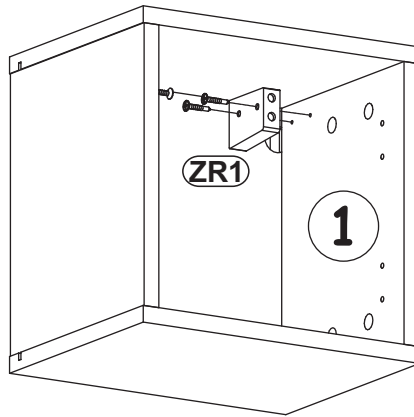
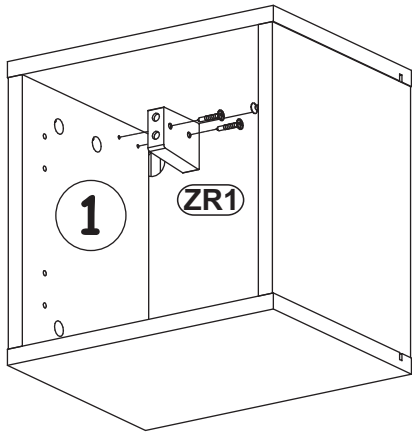
S1	
x4	



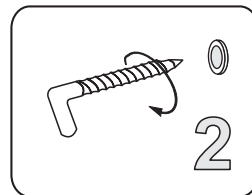
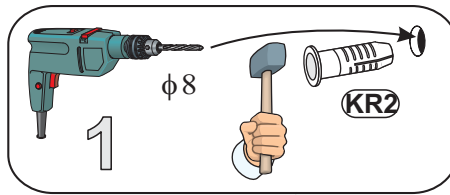
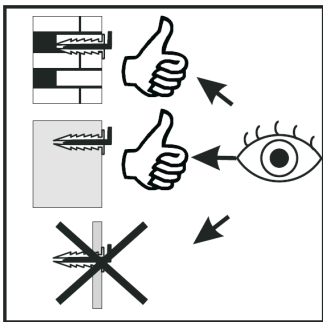
SWITCH SW 5

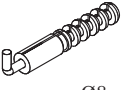
ZR1		D6	
x2		x4	USØ3,5x30

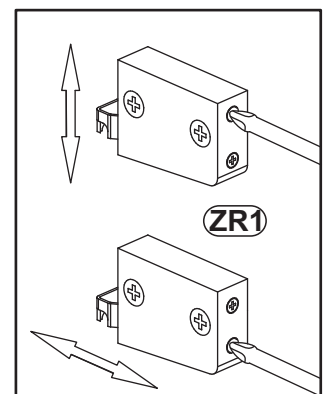
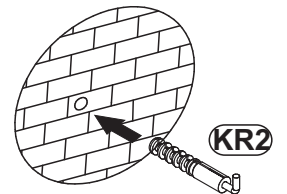
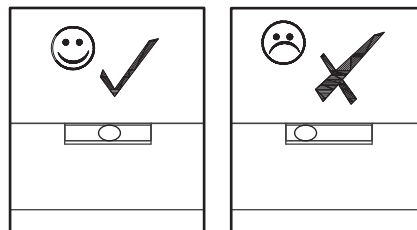
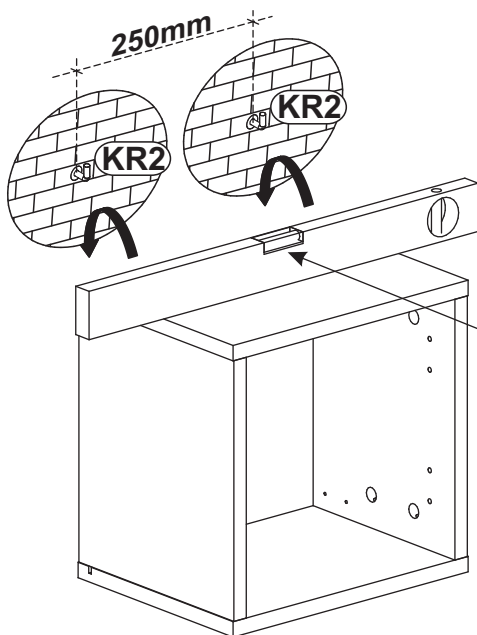
5



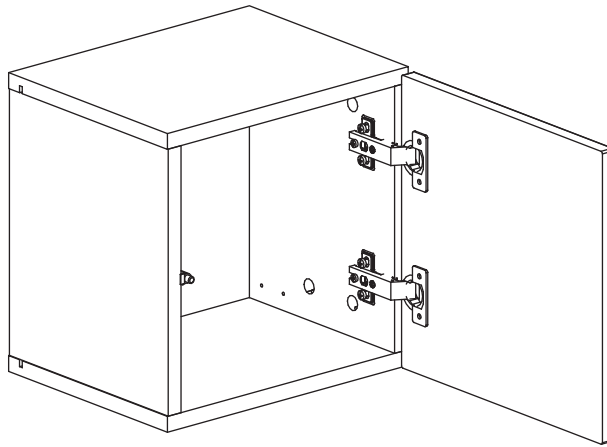
6



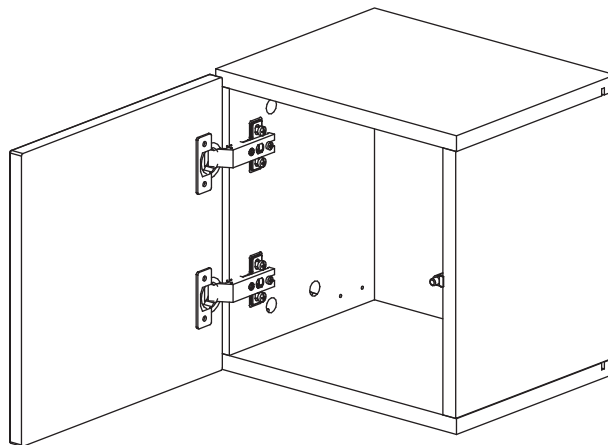
KR2	
x2	Ø8



7 - 8

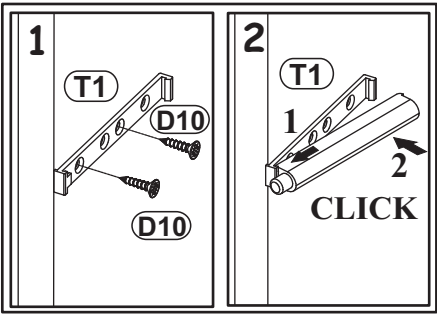
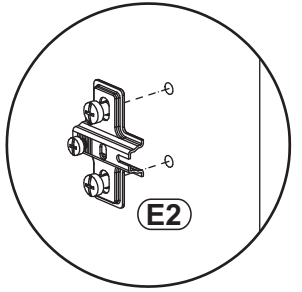
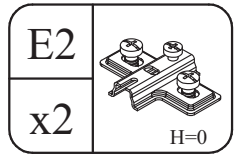
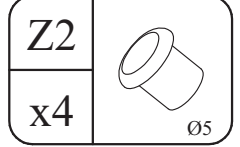
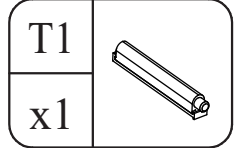
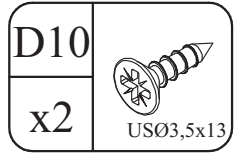
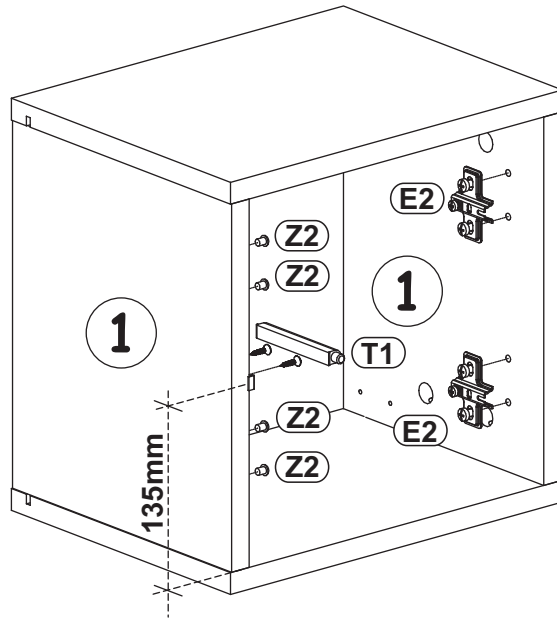
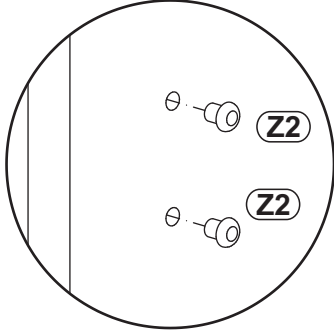
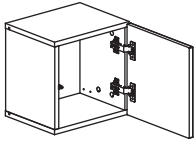


9 - 10

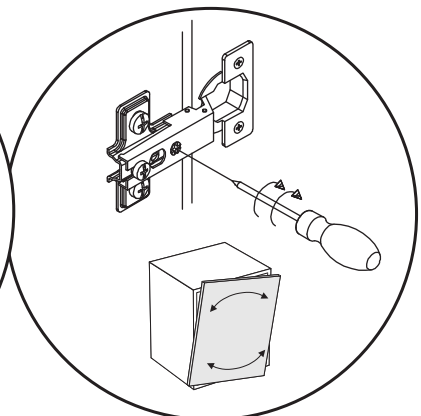
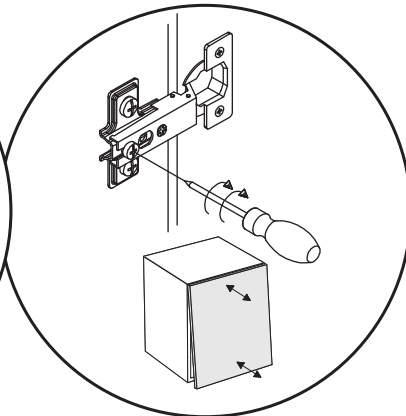
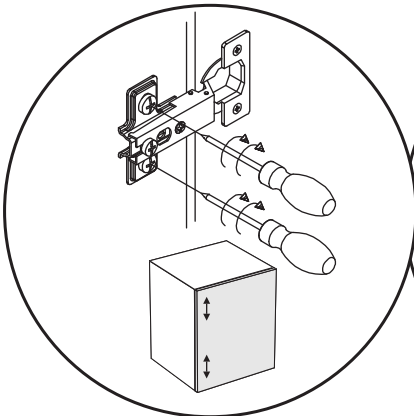
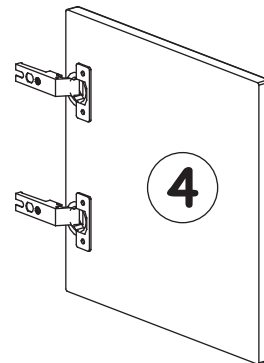
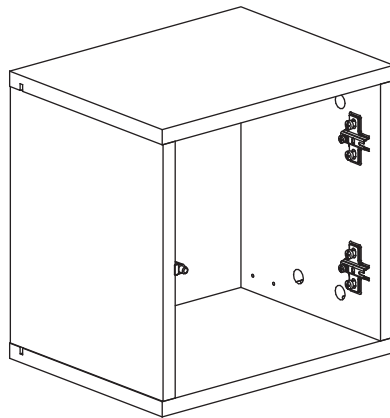
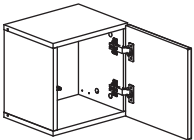


SWITCH SW 5

7

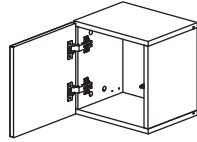


8



SWITCH SW 5

9

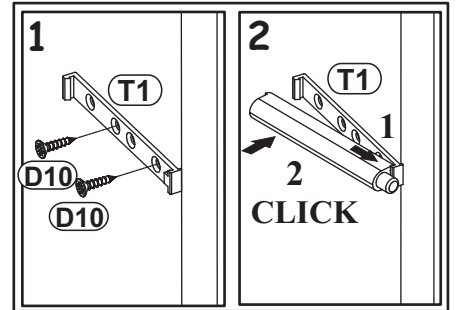
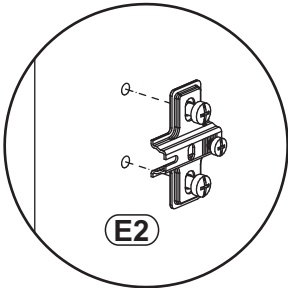
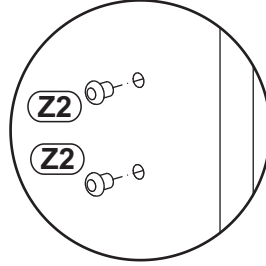
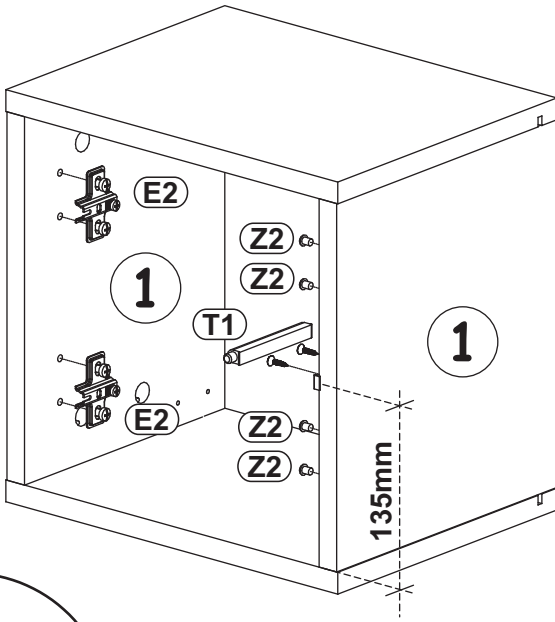


E2	
x2	H=0

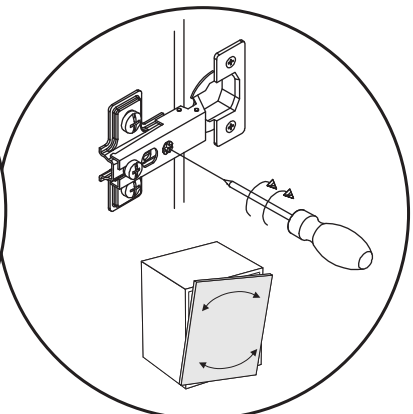
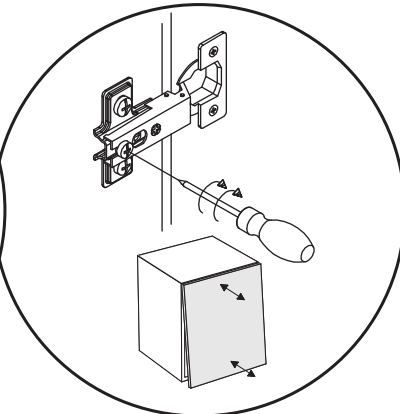
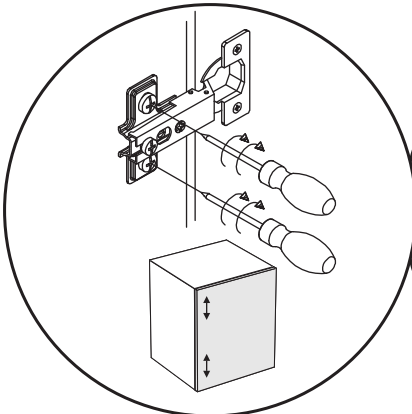
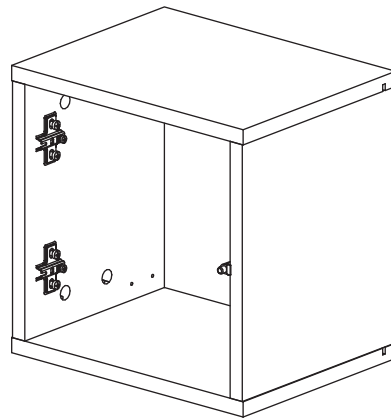
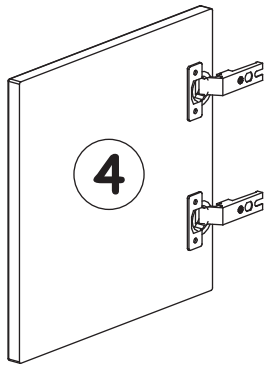
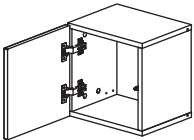
D10	
x2	USØ3,5x13

T1	
x1	

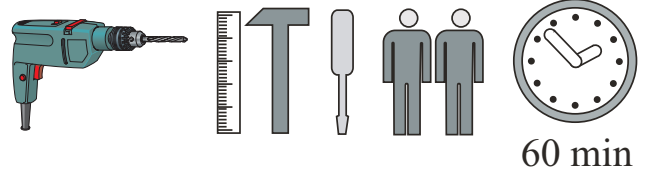
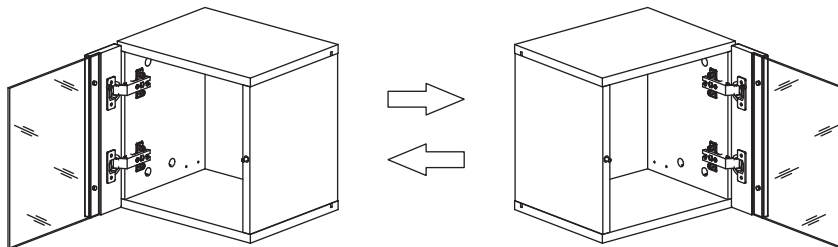
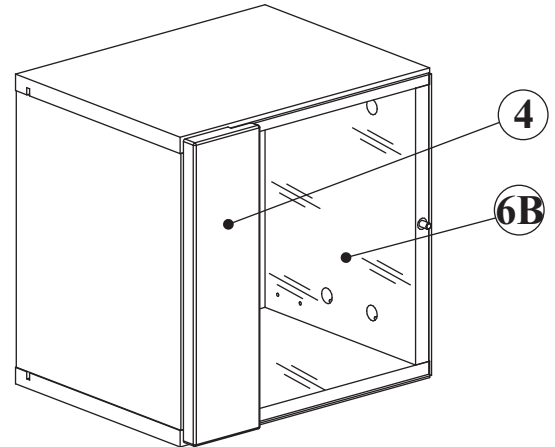
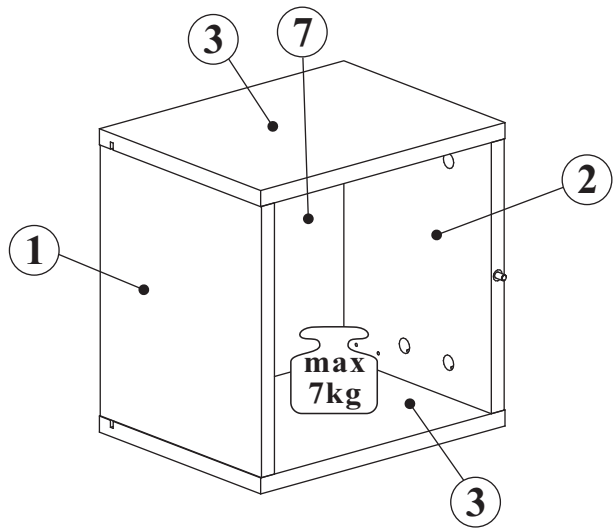
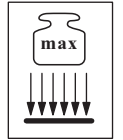
Z2	
x4	Ø5



10



SWITCH 27 -- SW WW 5

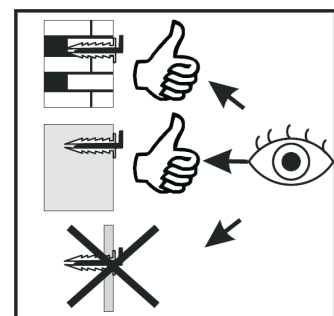
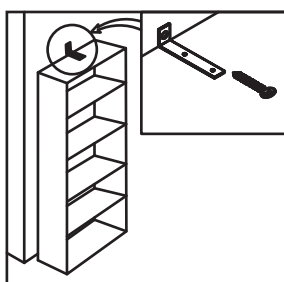
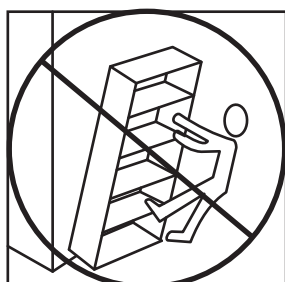
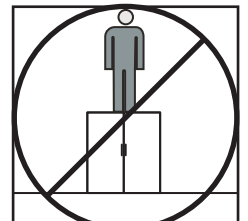
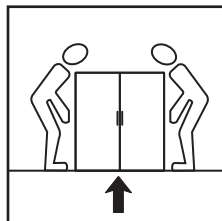
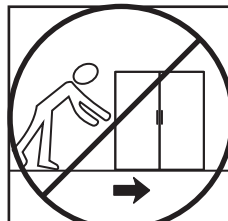
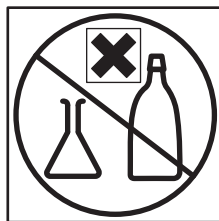
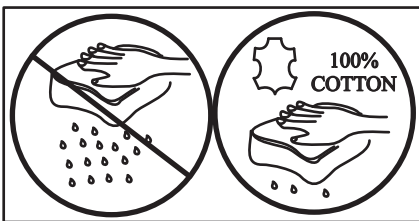
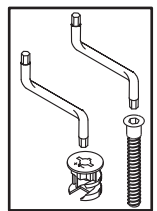
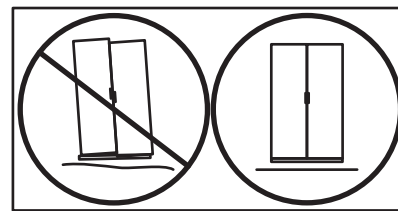
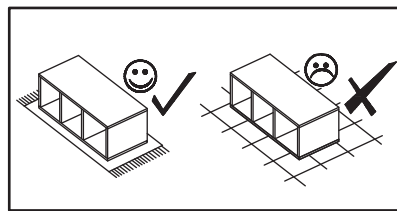
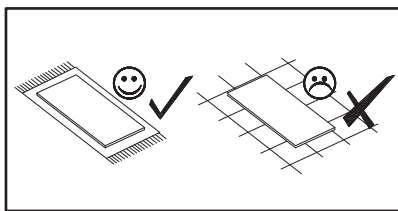
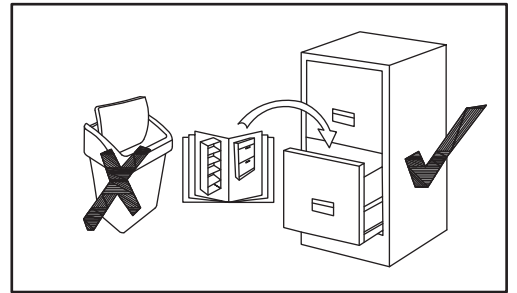
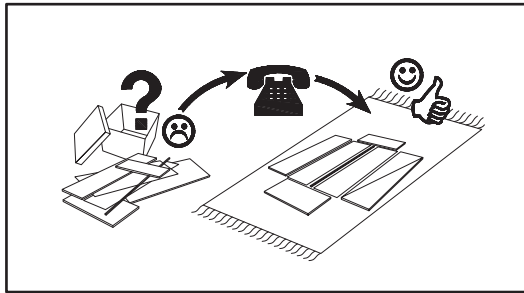
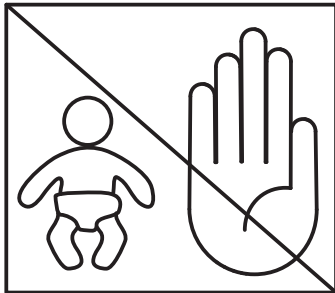
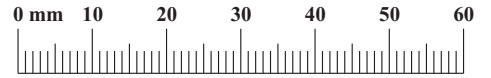


60 min

NO	Dim.			Col-No	Qty
1	270	234	16	1	1
2	270	234	16	1	1
3	302	234	16	1	2
7	282	280	3	1	1
4	80	296	16	1	1
6B	294	241	4	1	1

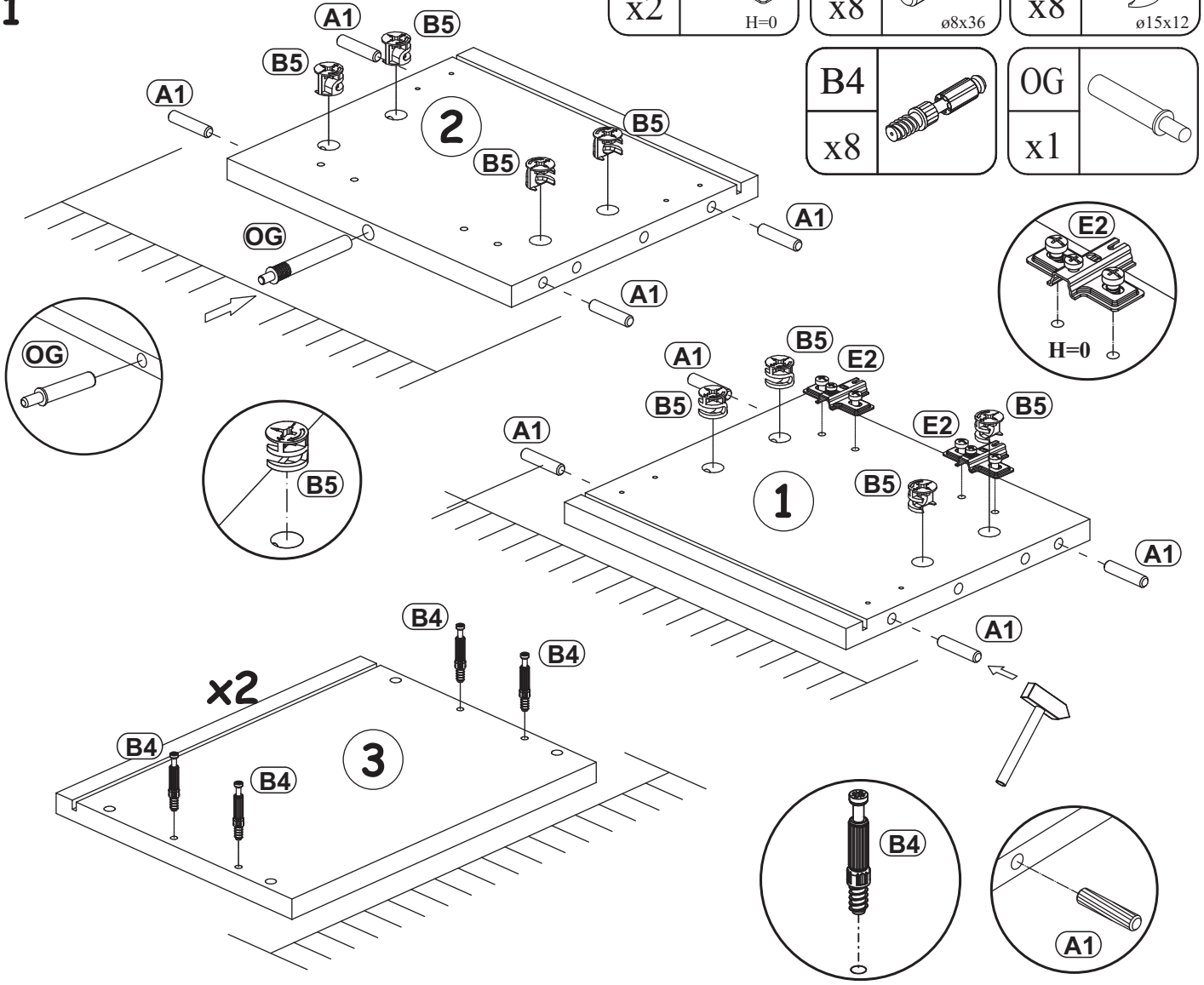
SWITCH WW 5

A1 x8 ø8x36	B4 x8	G5 x8	B5 x8 ø15x12	ZR1 x2	D6 x4 USØ3,5x30
E1 x2 Ø26 H=0	E2 x2 H=0	D10 x4 USØ3,5x13	OG x1	S1 x4	KR2 x2 Ø8
G2 x1	P2 x2	UP13 x2 UPØ3x16			



SWITCH WW 5

1



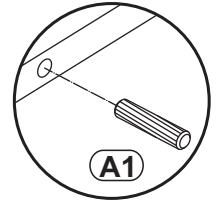
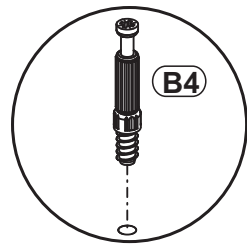
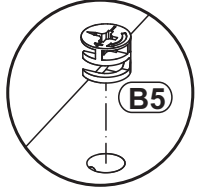
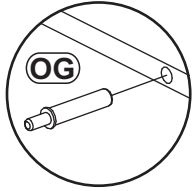
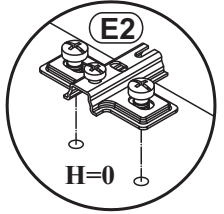
E2	
x2	H=0

A1	
x8	ø8x36

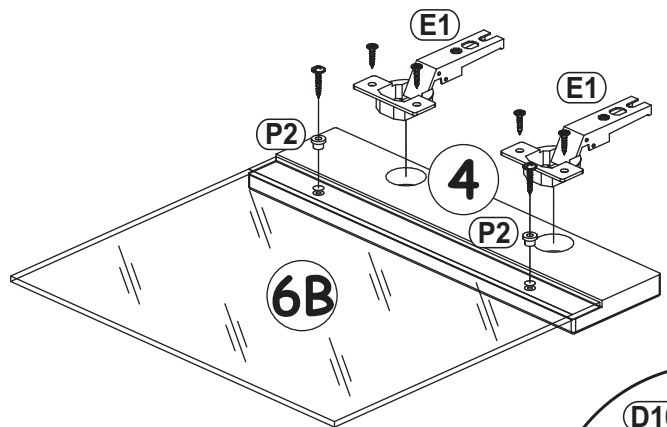
B5	
x8	ø15x12

B4	
x8	

OG	
x1	



2

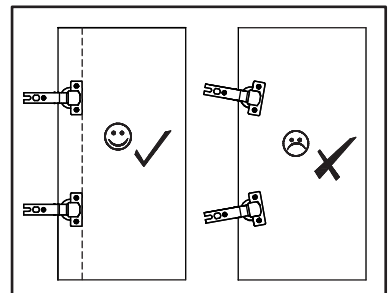
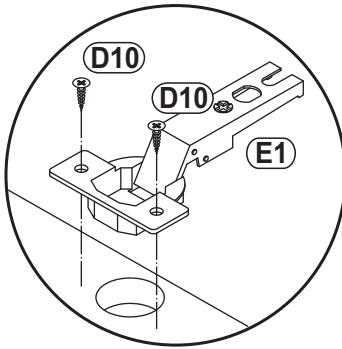
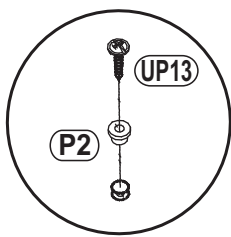


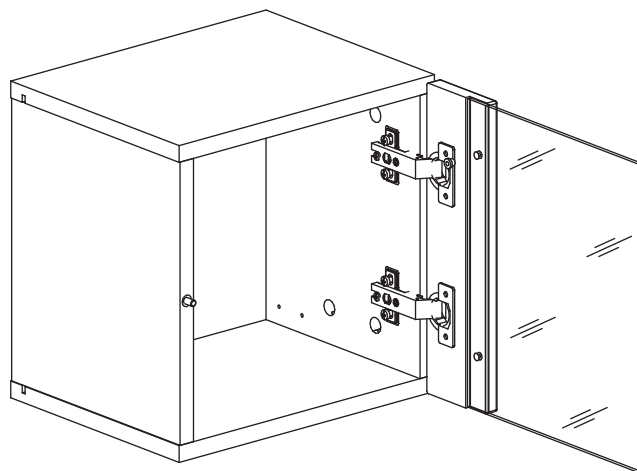
E1	Ø26
x2	H=0

D10	
x4	USØ3,5x13

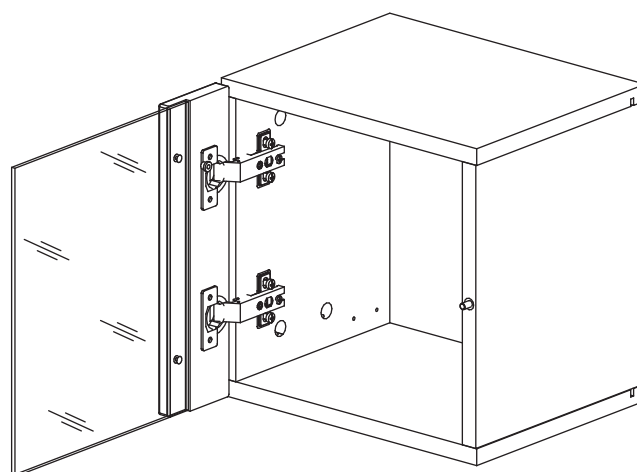
P2	
x2	

UP13	
x2	UPØ3x16





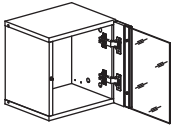
3 - 7




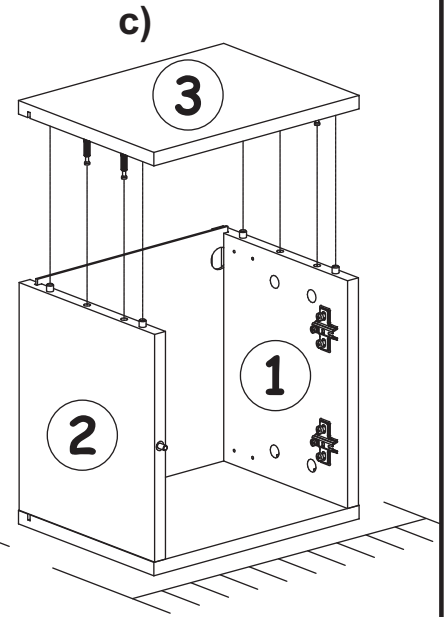
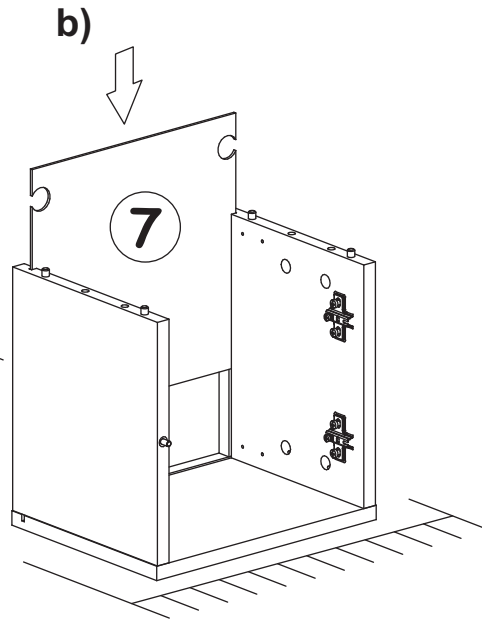
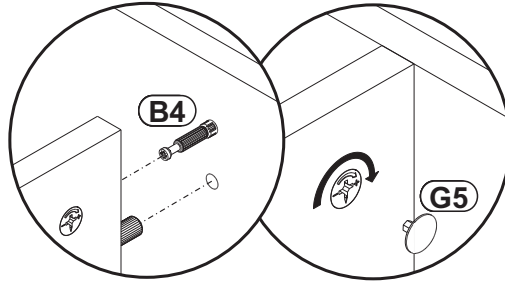
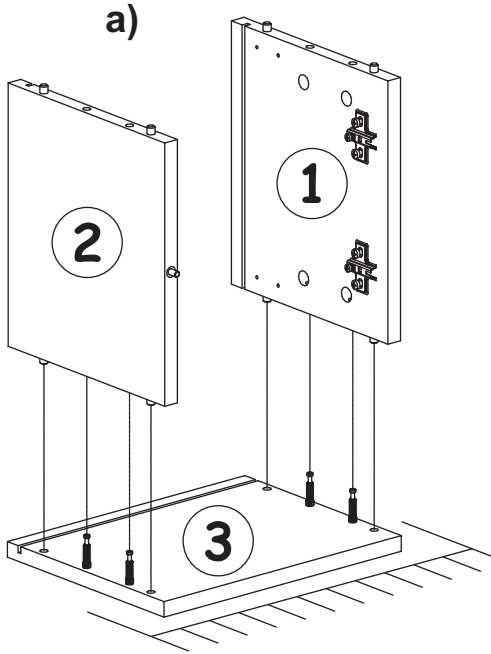
8 - 12

SWITCH WW 5

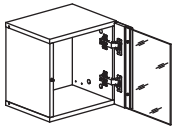
3

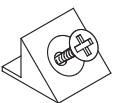


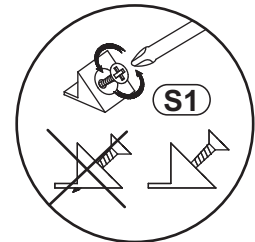
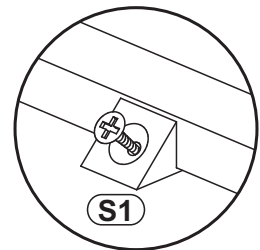
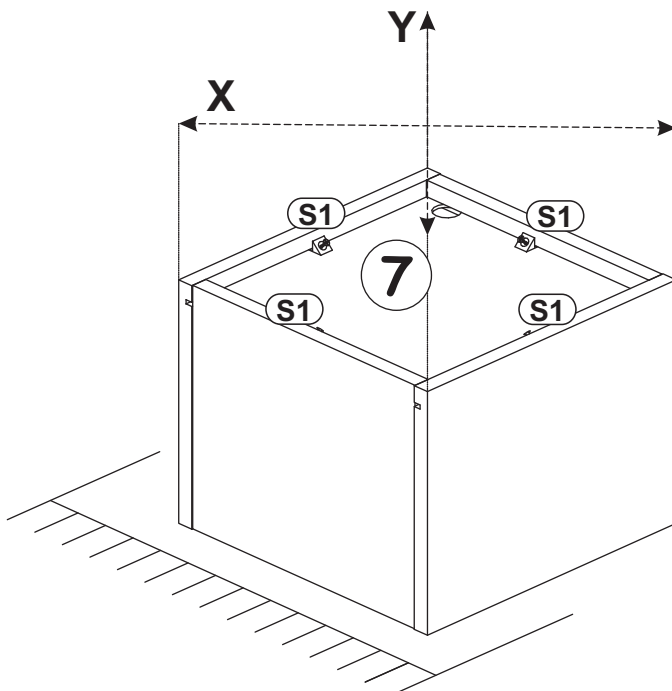
G5	
x8	



4

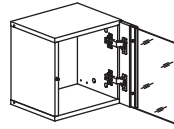


S1	
x4	

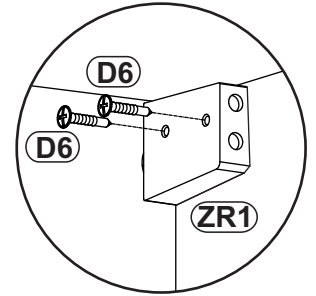
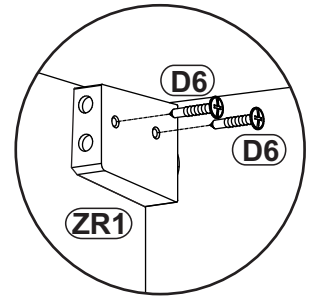
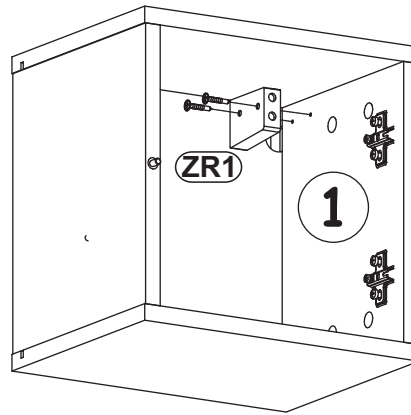
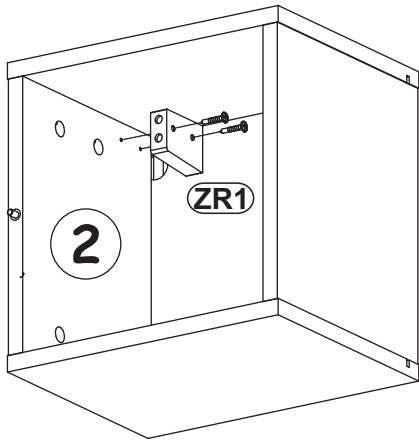


SWITCH WW 5

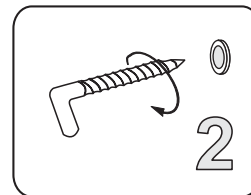
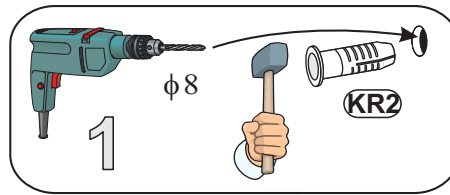
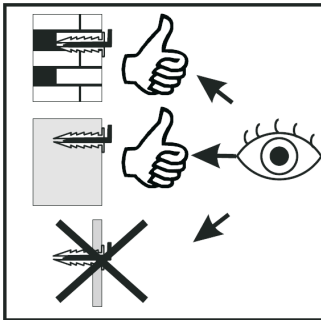
5



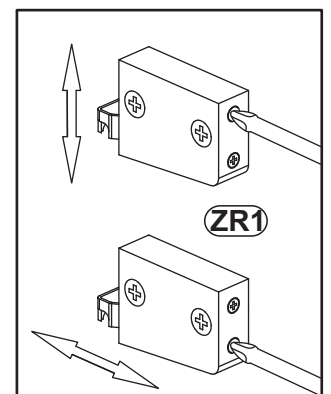
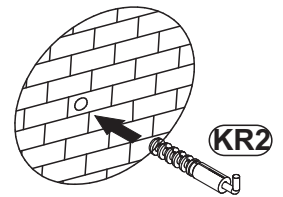
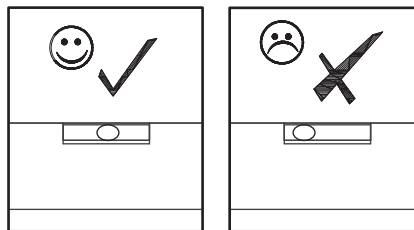
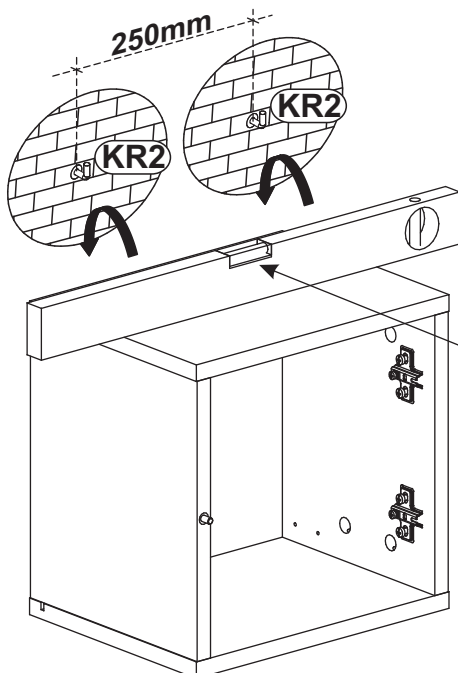
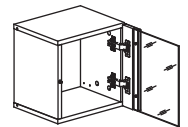
ZR1		D6	
x2		x4	USØ3,5x30



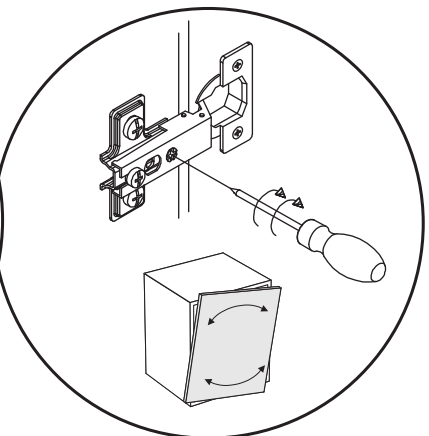
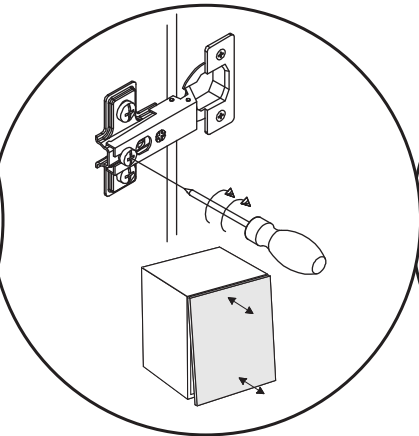
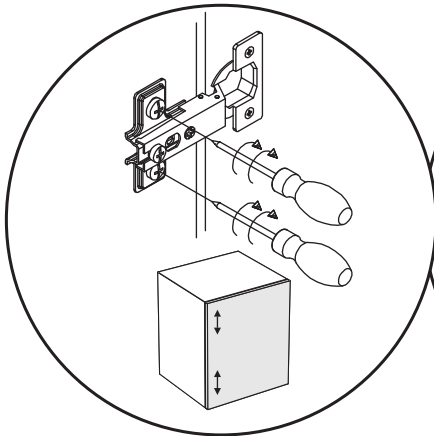
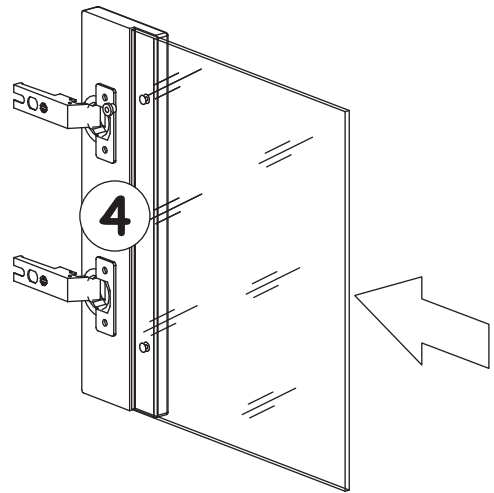
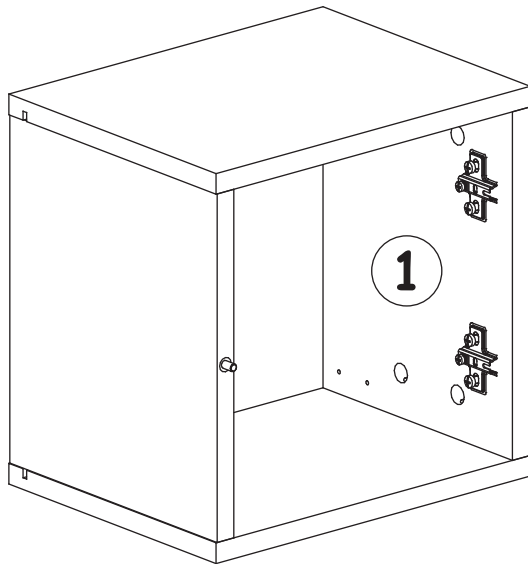
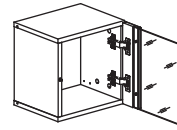
6



KR2	
x2	Ø8

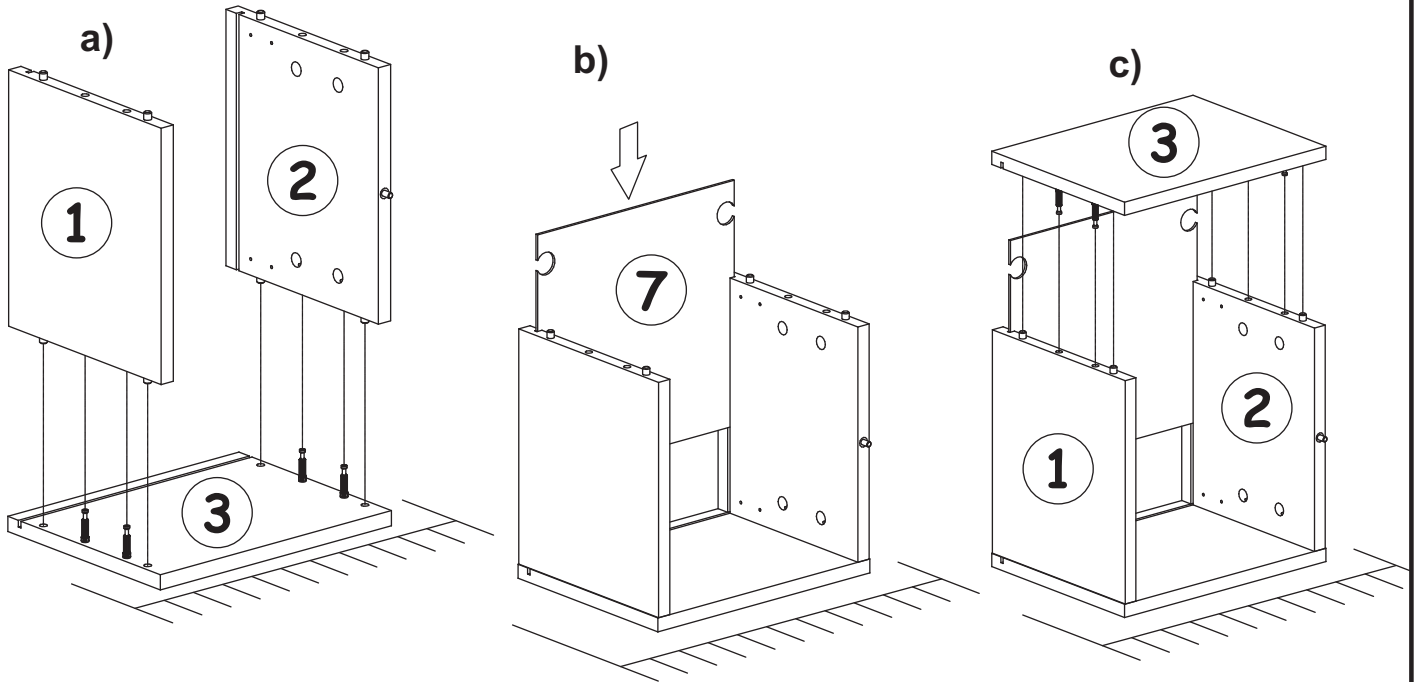
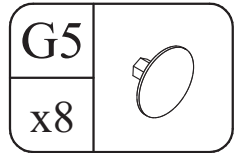
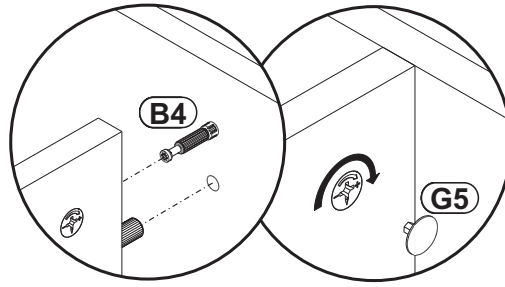
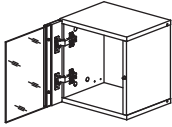


7

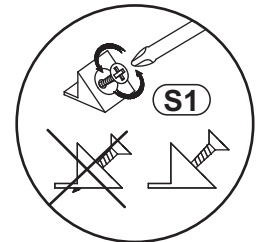
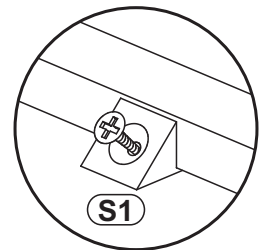
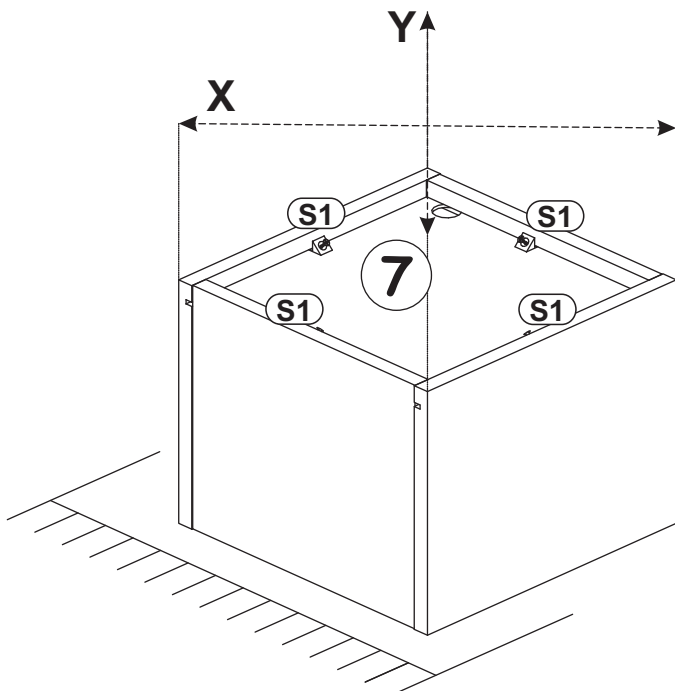
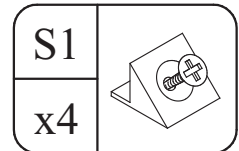
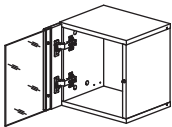


SWITCH WW 5

8

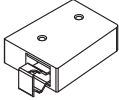



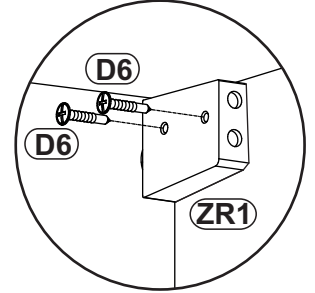
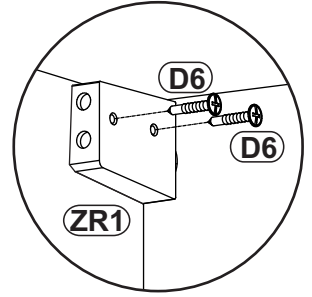
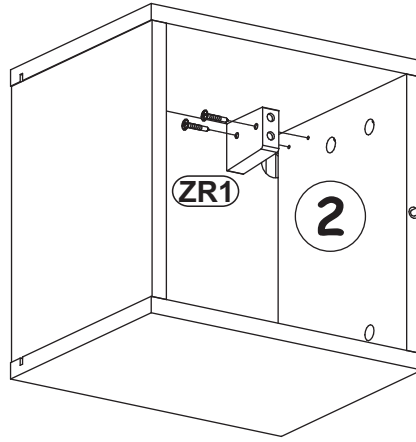
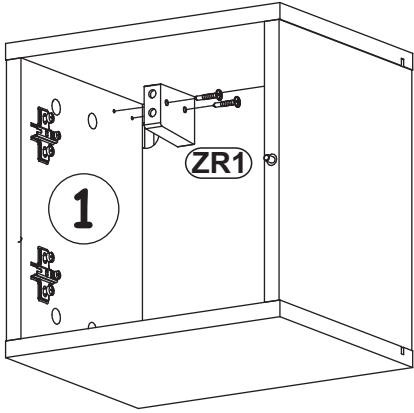
9



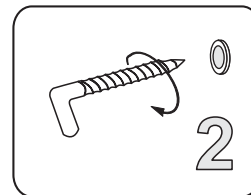
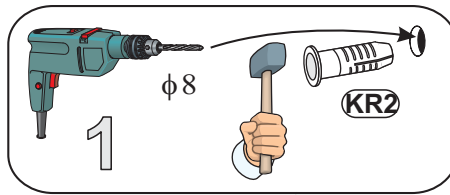
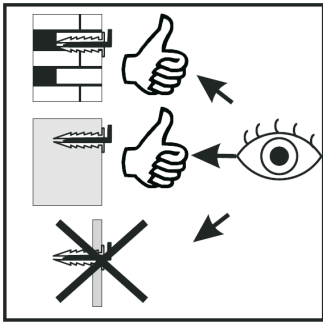
SWITCH WW 5

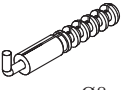
10

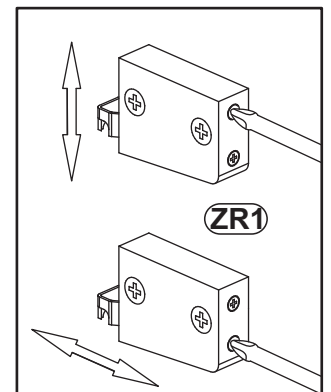
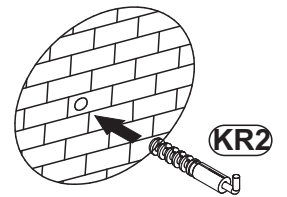
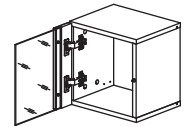
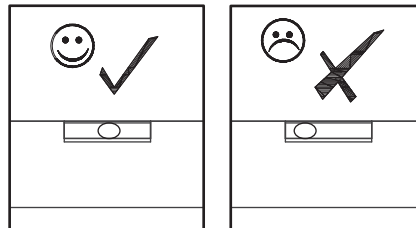
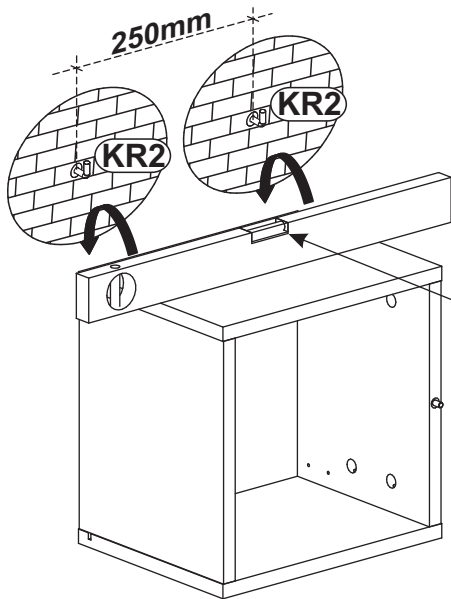
ZR1		D6	
x2		x4	US03,5x30



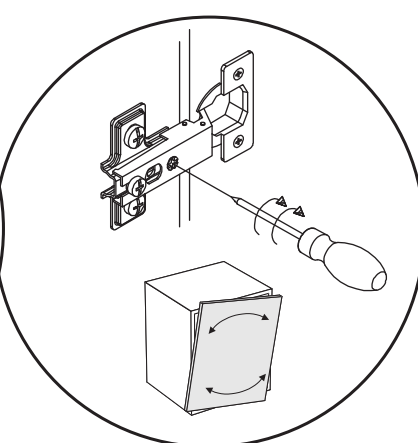
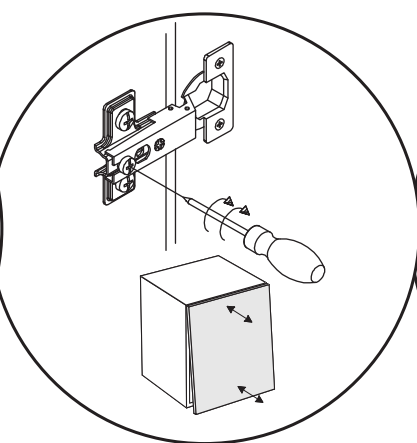
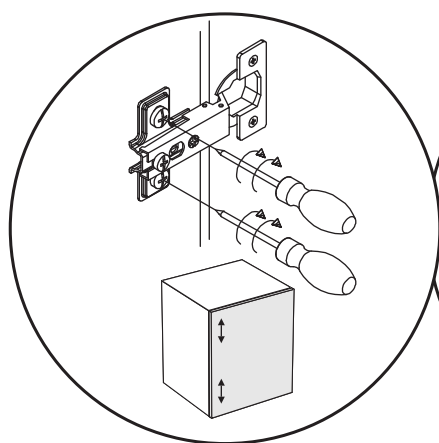
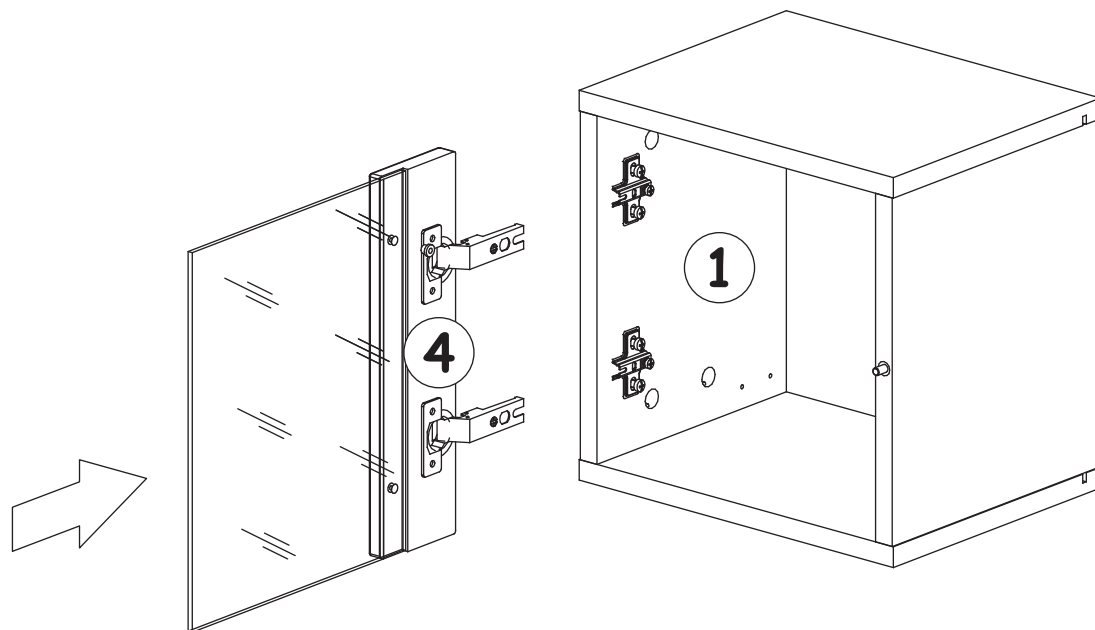
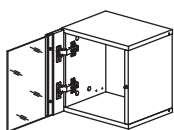
11



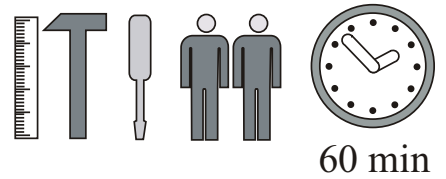
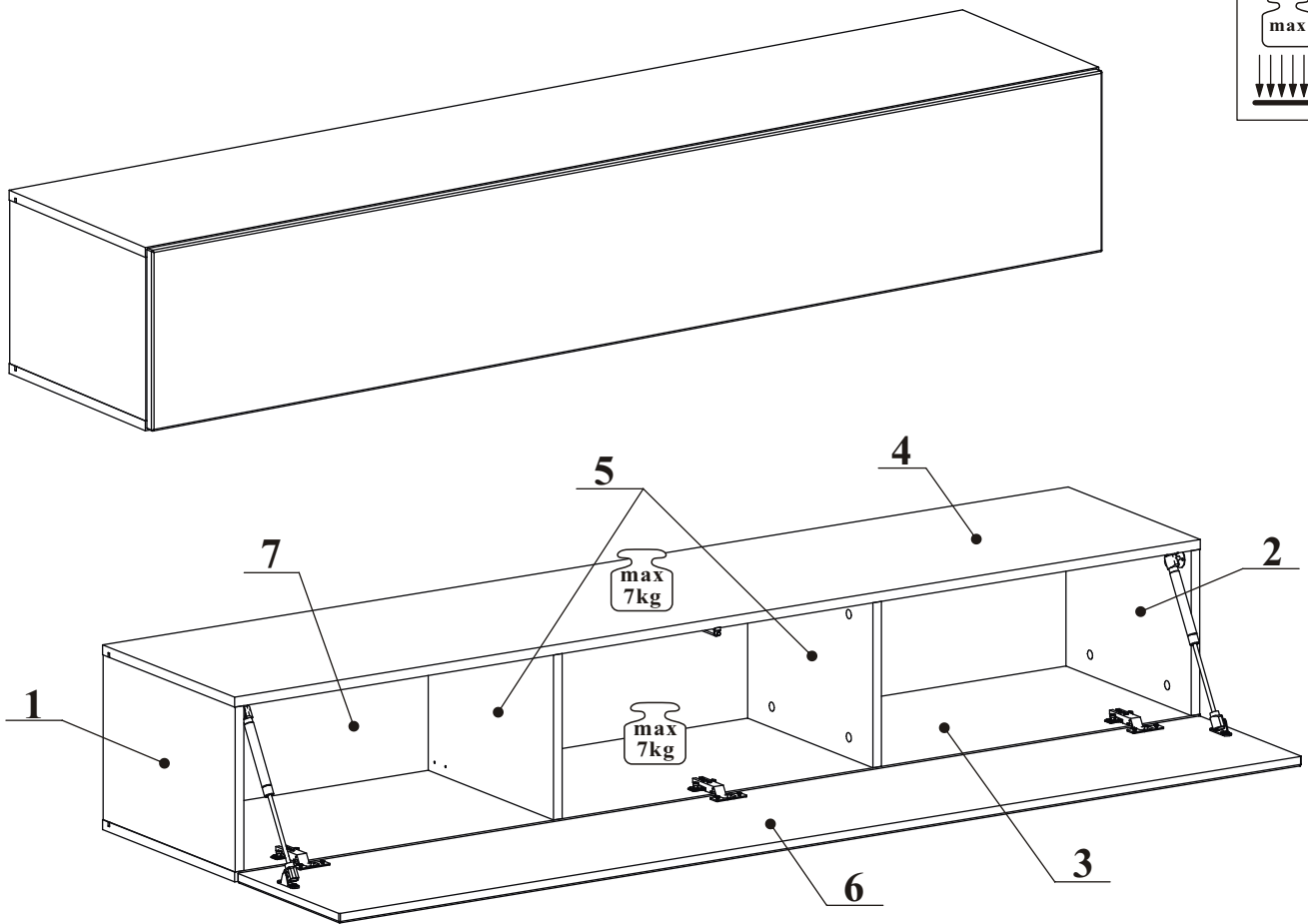
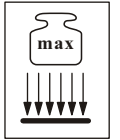
KR2	
x2	Ø8



12



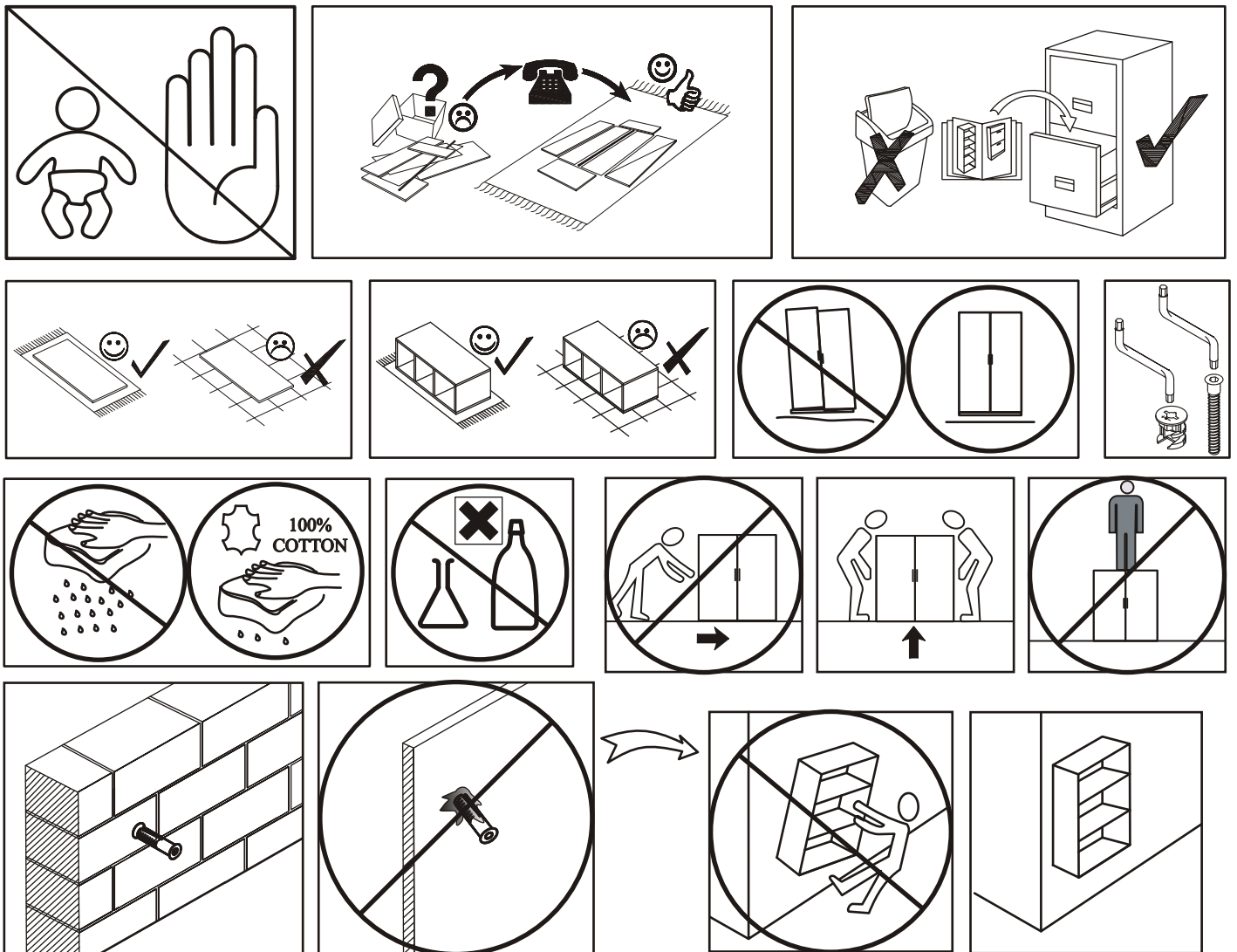
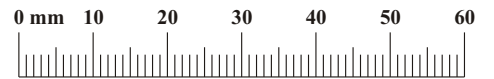
SWITCH RTV 1



NO	Dim.		Col.-No	Qty
1	268	384	1	1
2	268	384	1	1
3	1802	384	1	1
4	1802	384	1	1
5	268	364	1	2
7	1780	280	1	1
6	1796	296	1	1

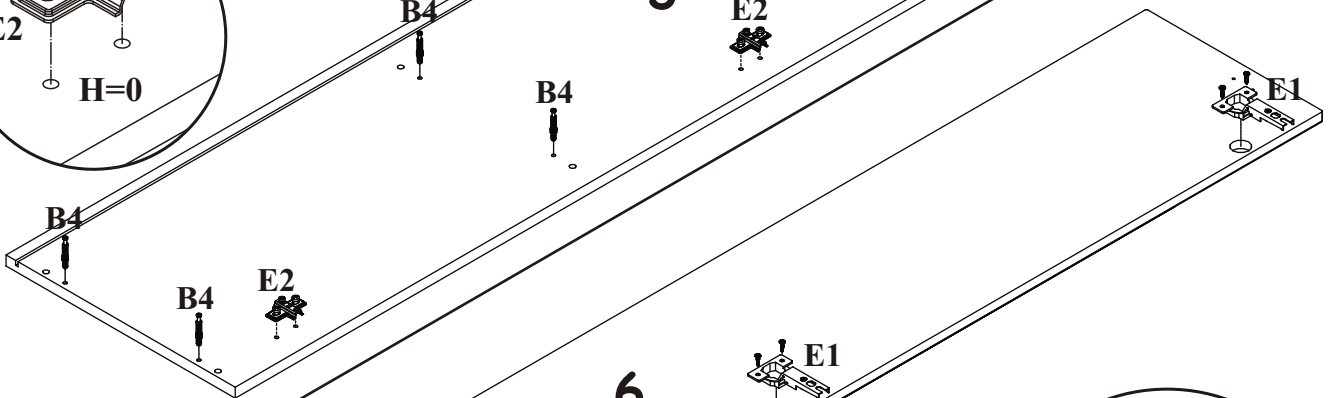
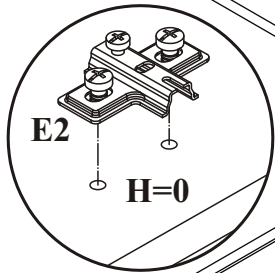
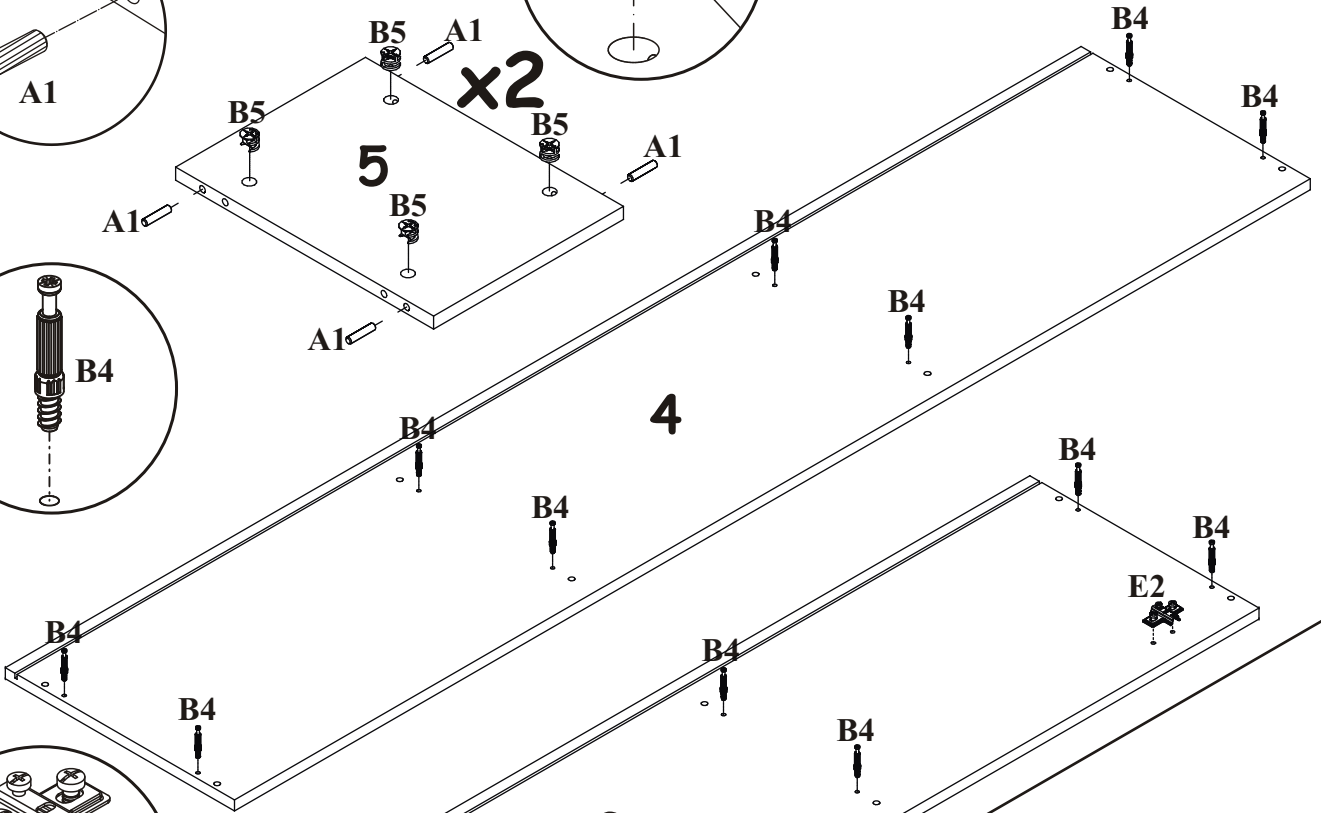
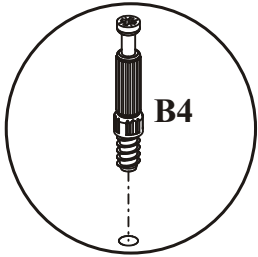
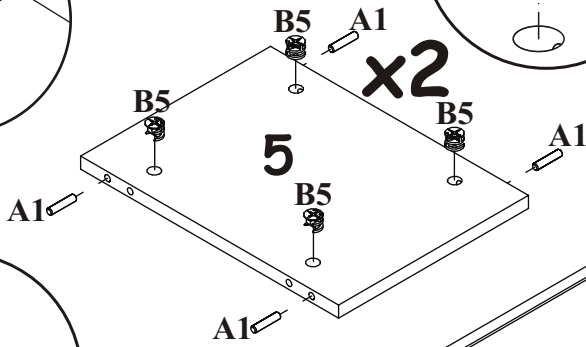
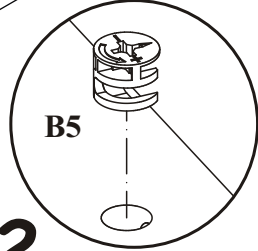
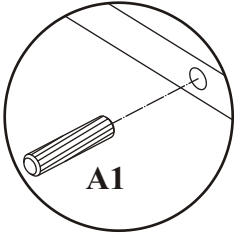
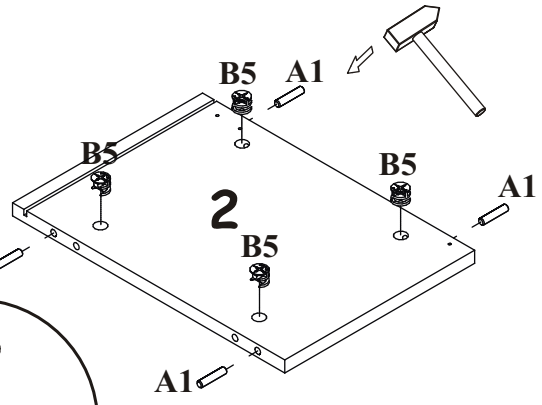
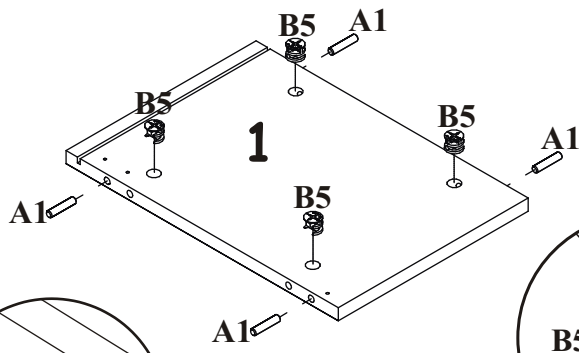
SWITCH RTV 1

A1 X16 ø8x36	B4 X16	G5 X16	B5 X16 ø15x12	ZR1 X4	D6 X8 USØ3,5x30
E1 X3 Ø26 H=0	E2 X3 H=0	D10 X12 USØ3,5x13	OD1 X1	S1 X12	BP1 X2
KR2 X4	G2 X1				

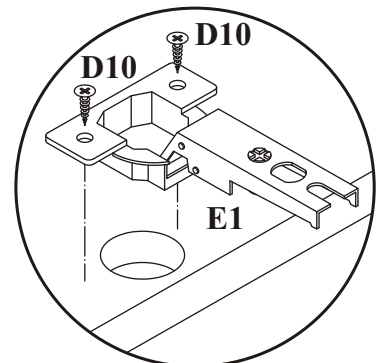
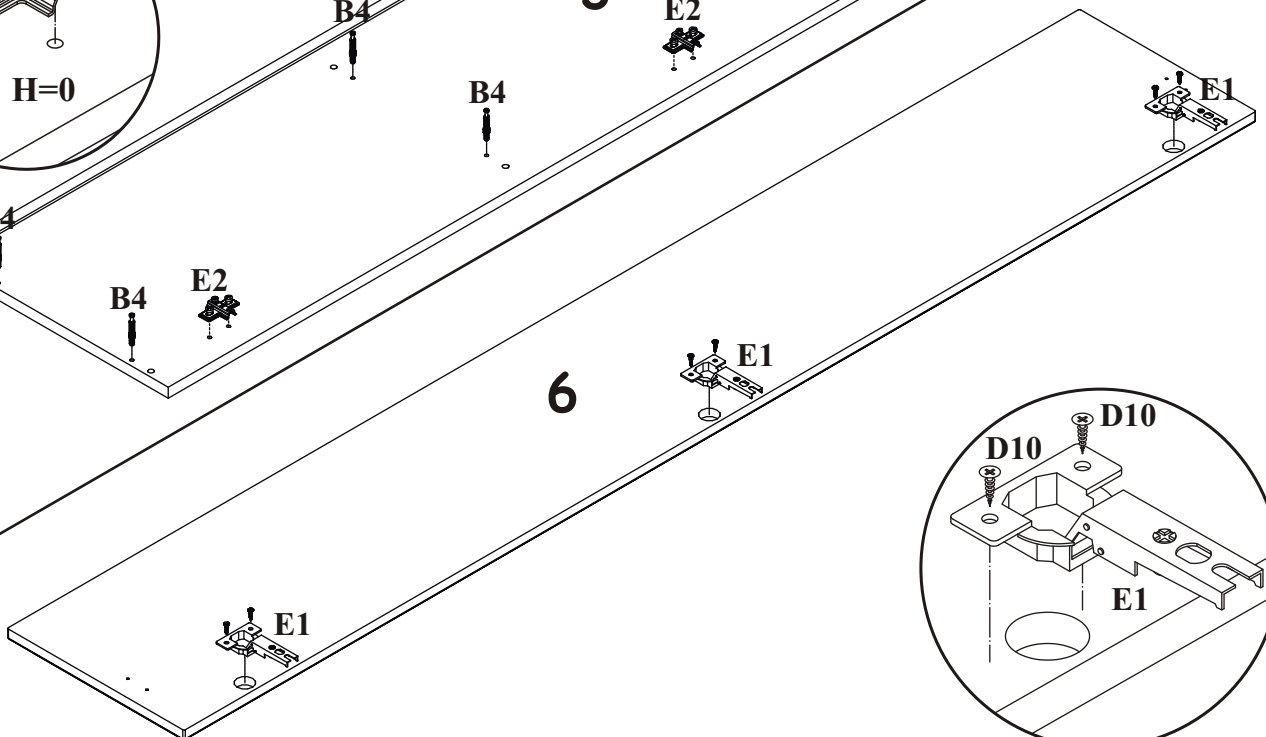


SWITCH RTV 1

1

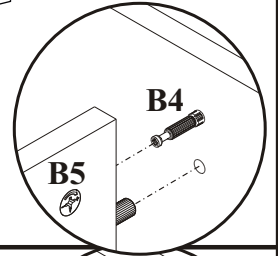
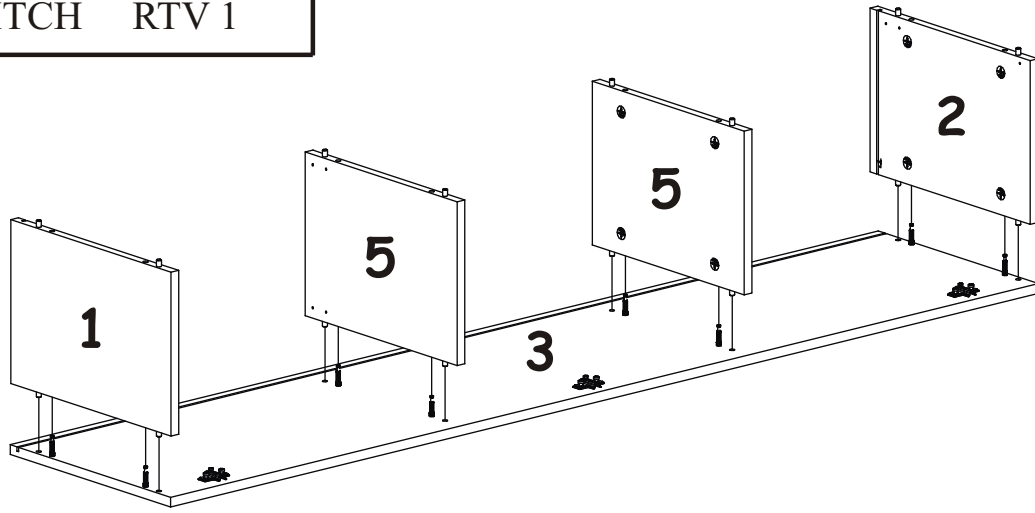


2

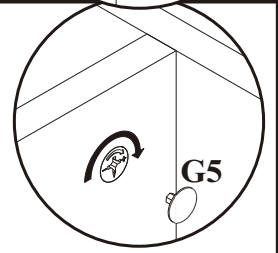
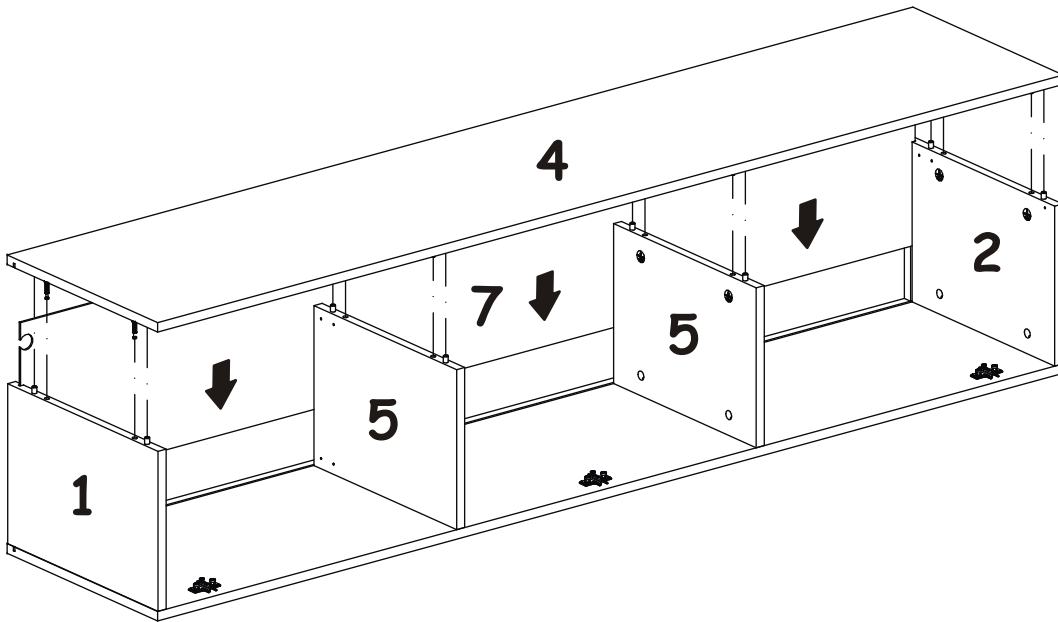


SWITCH RTV 1

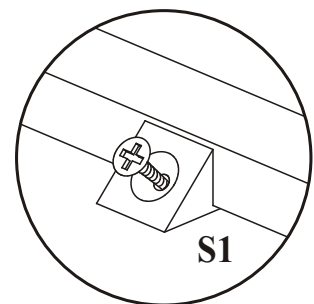
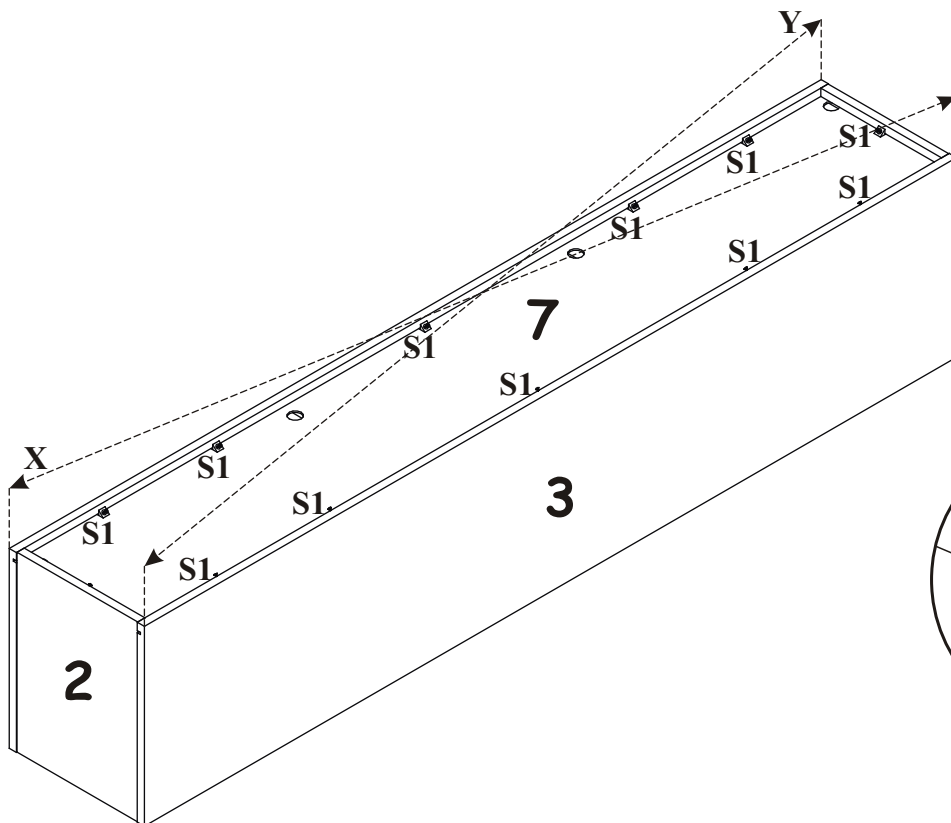
3



4

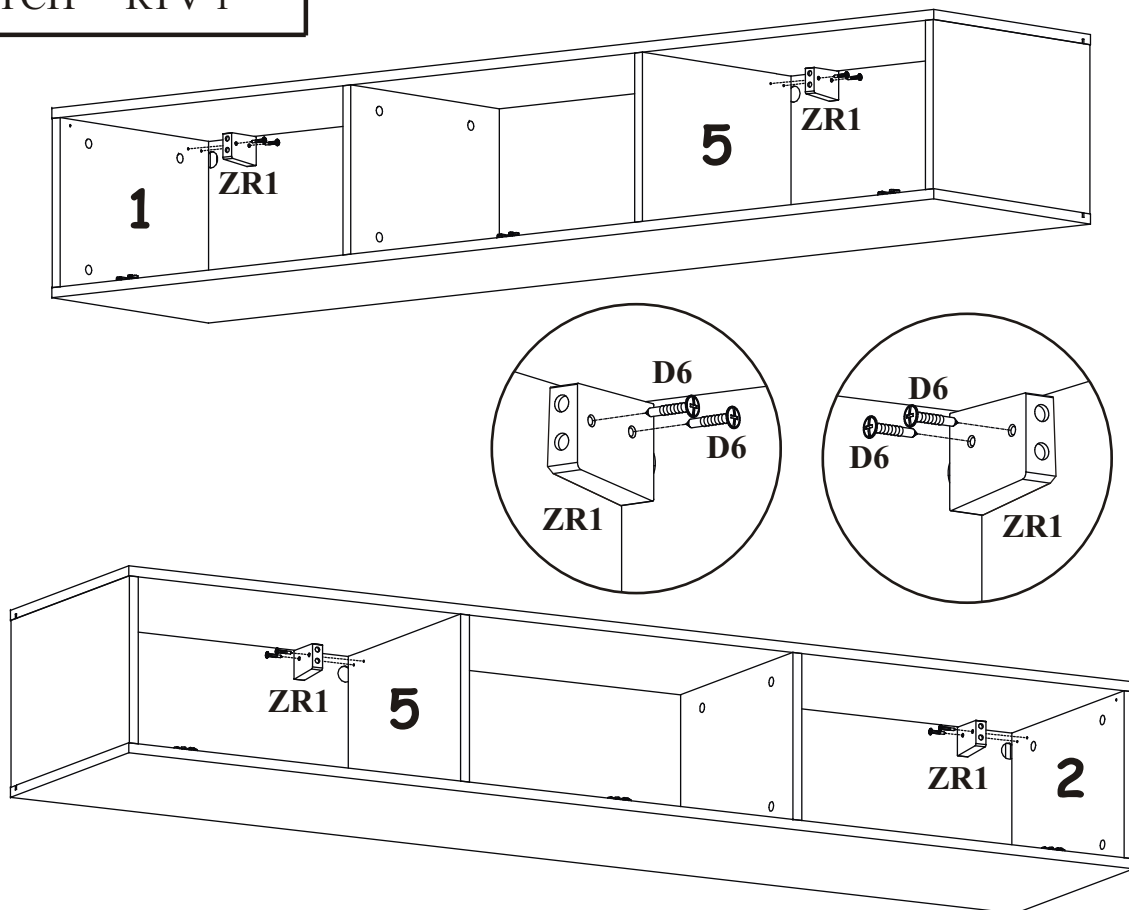


5

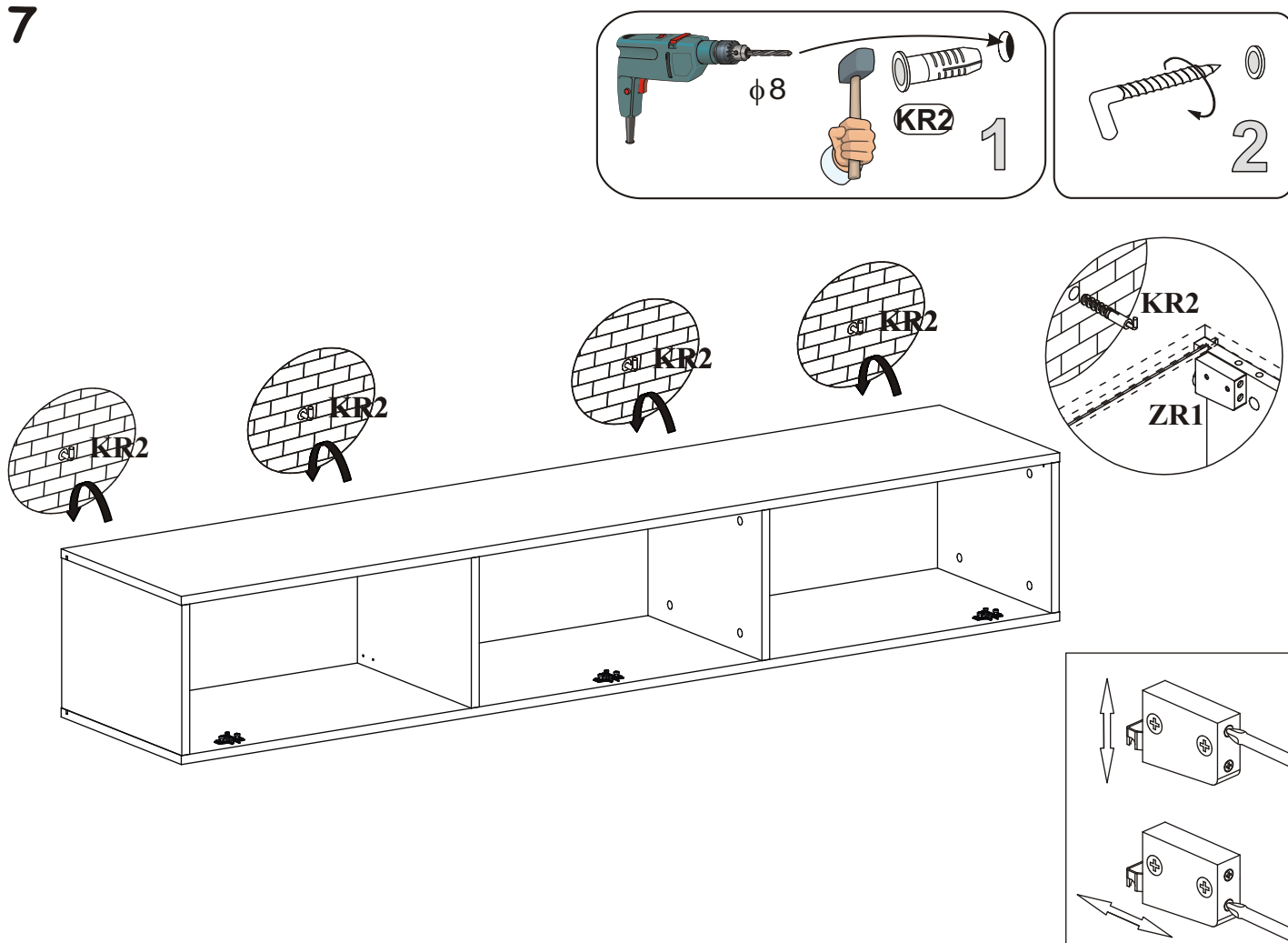


SWITCH RTV 1

6

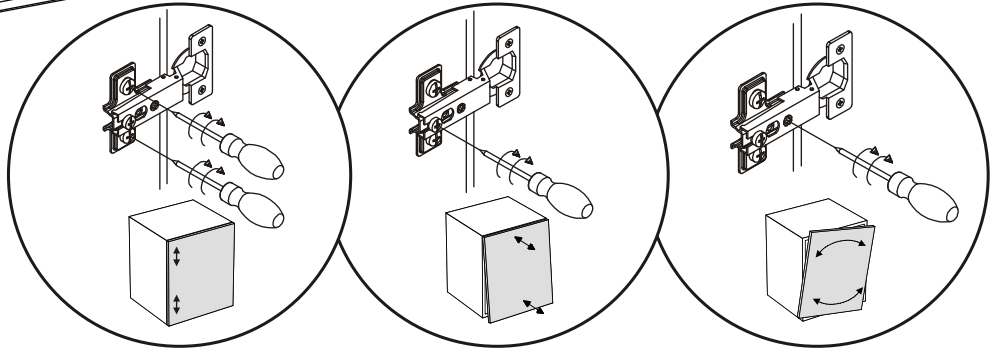
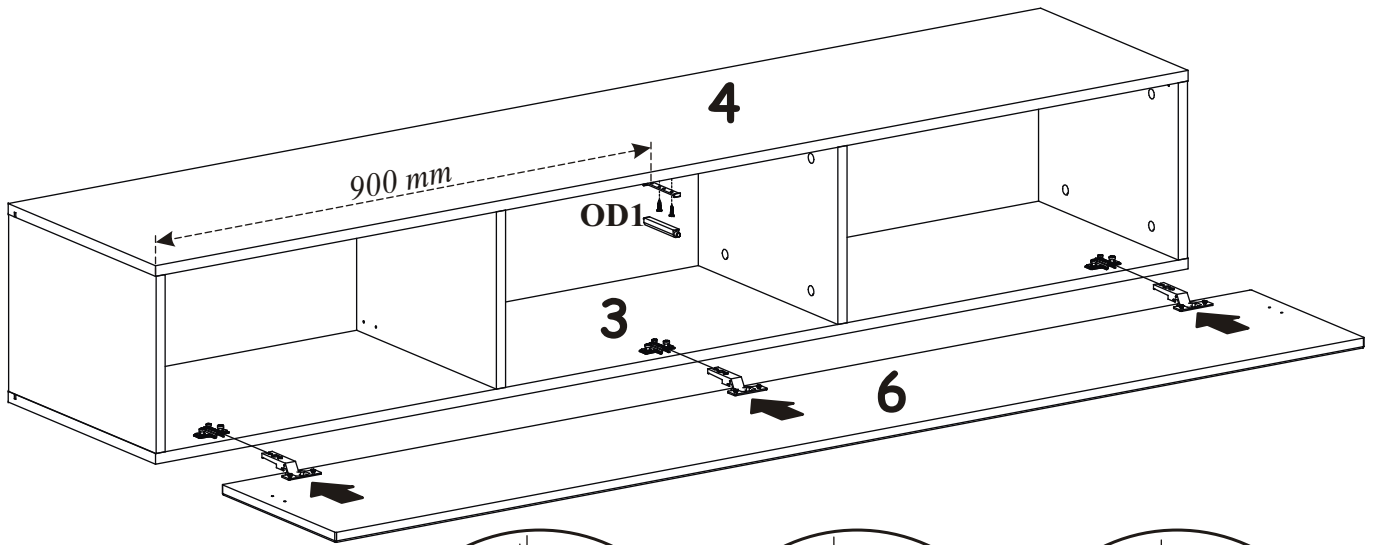
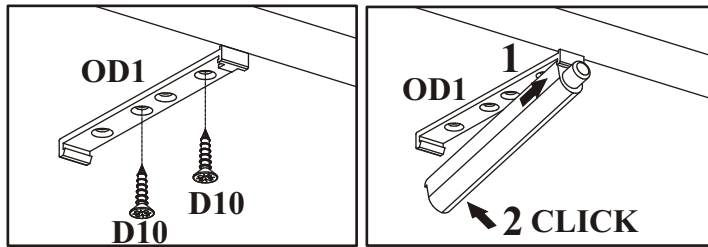


7

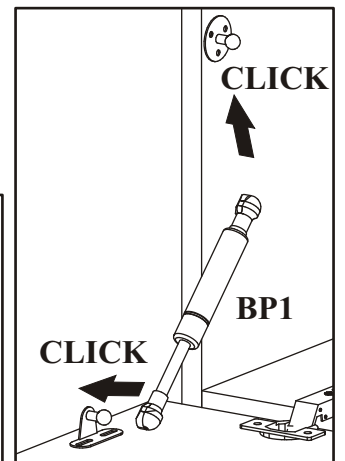
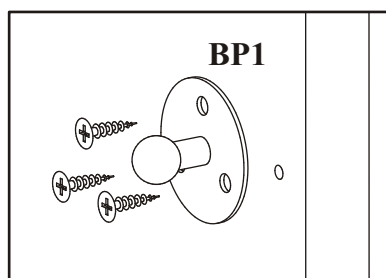
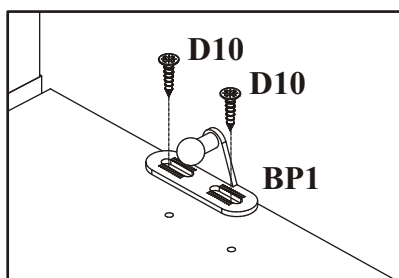
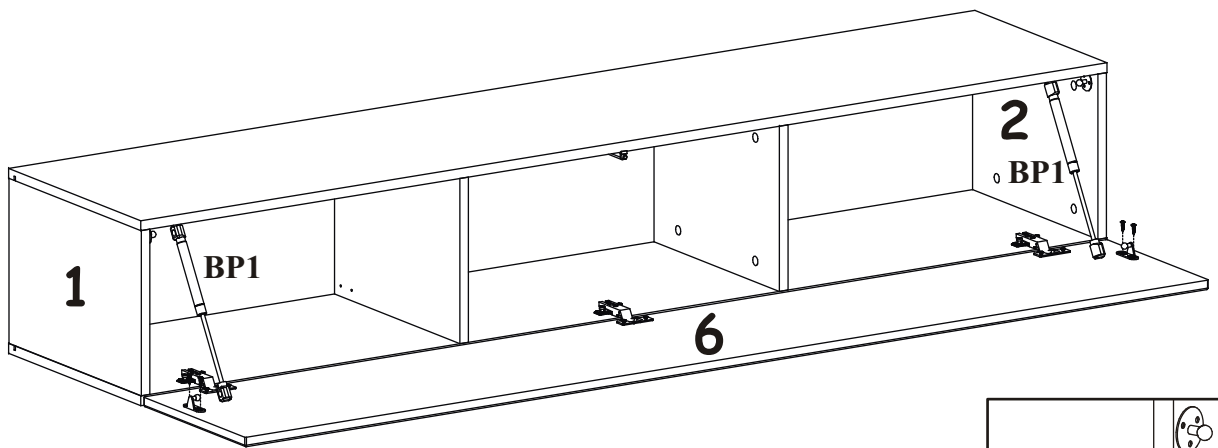


SWITCH RTV 1

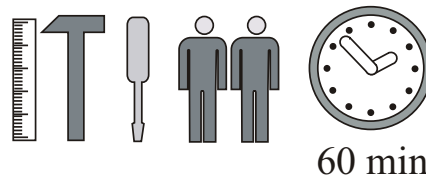
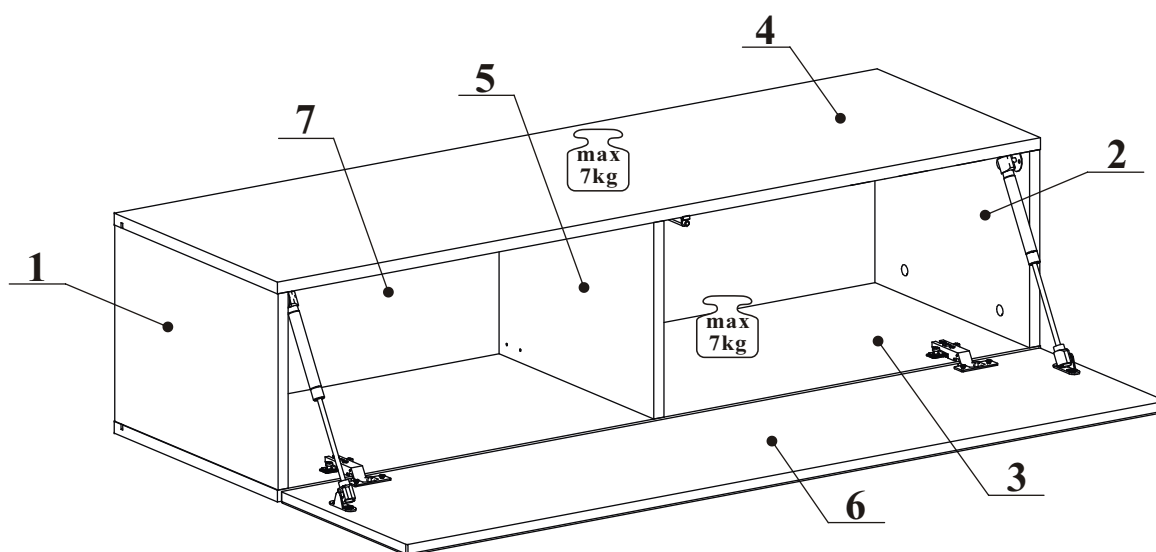
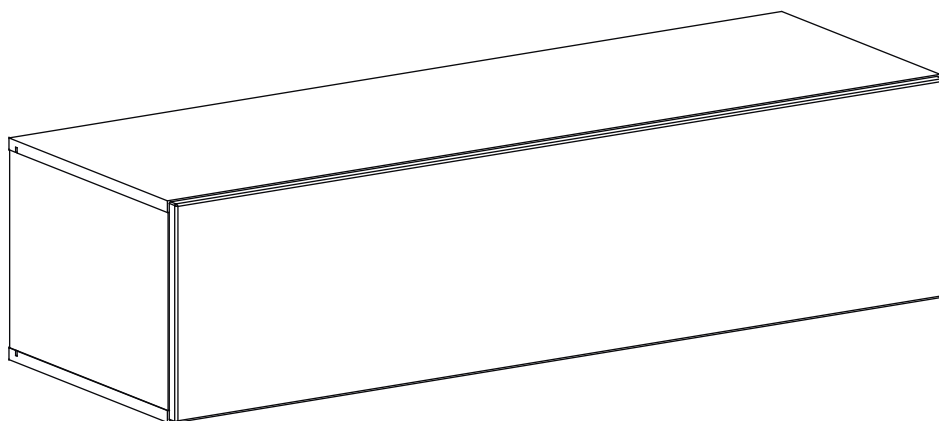
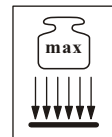
8



9



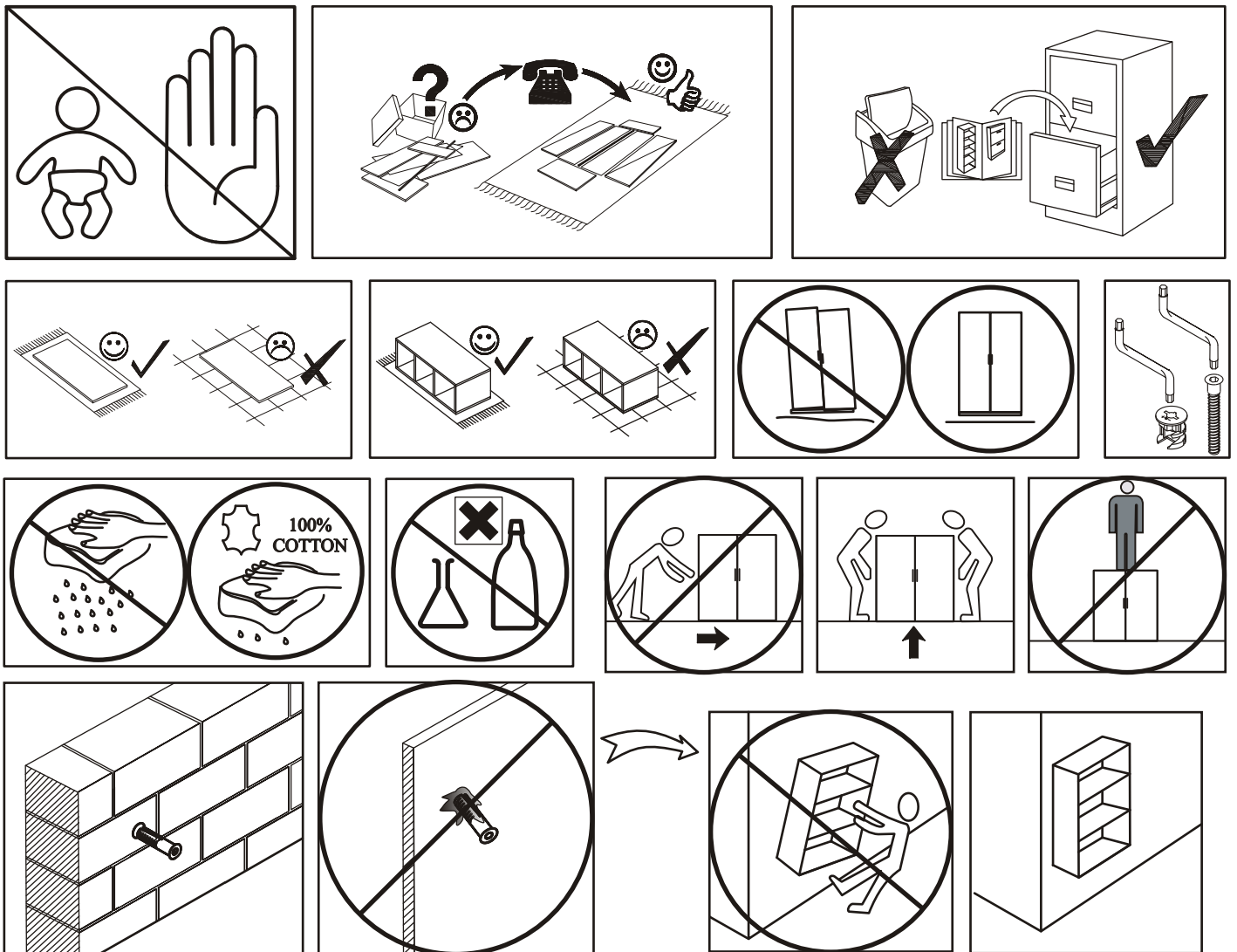
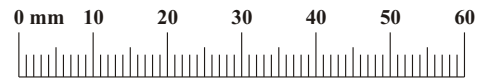
SWITCH RTV 2



NO	Dim.		Col.-No	Qty
1	268	384	1	1
2	268	384	1	1
3	1202	384	1	1
4	1202	384	1	1
5	268	364	1	1
7	1180	280	1	1
6	1196	296	1	1

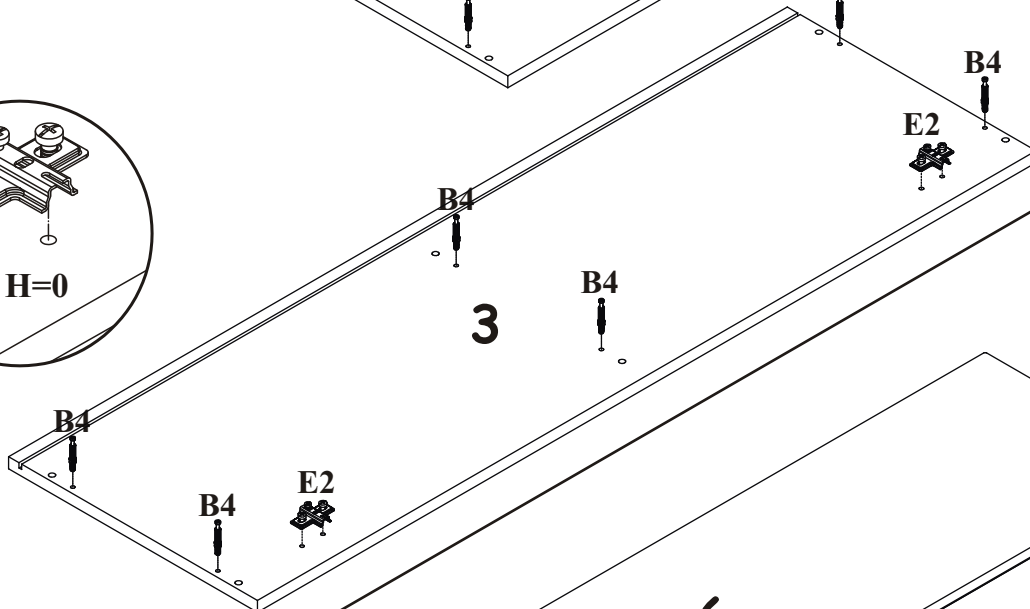
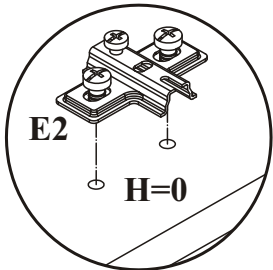
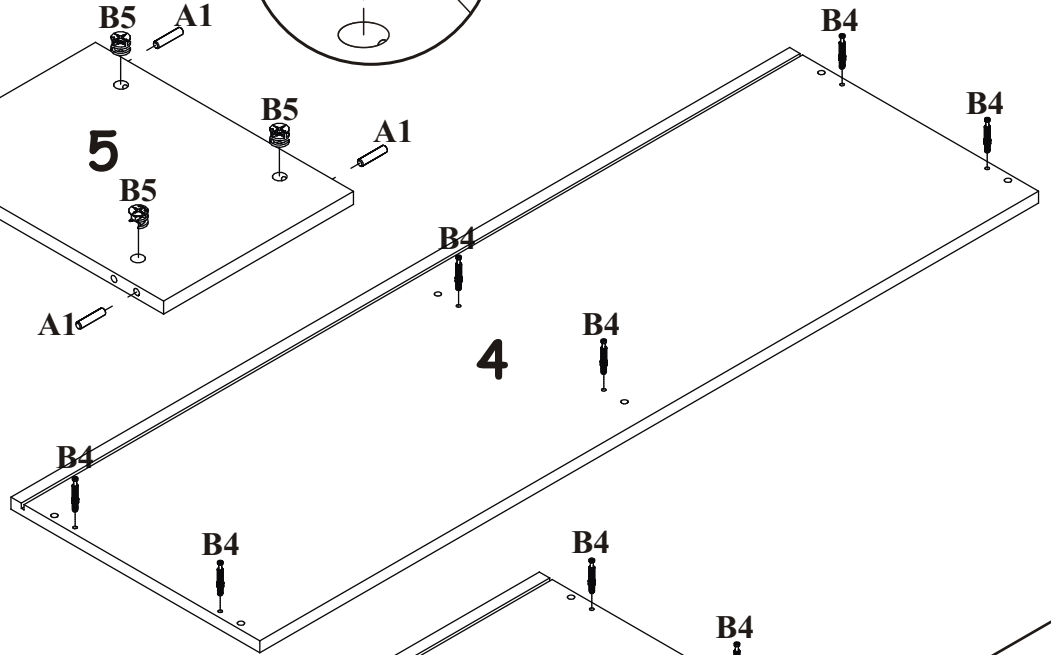
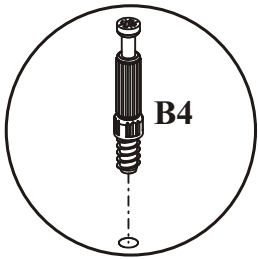
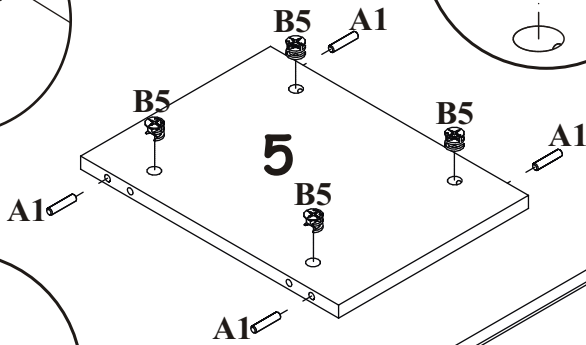
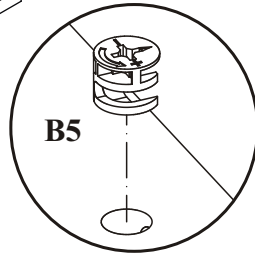
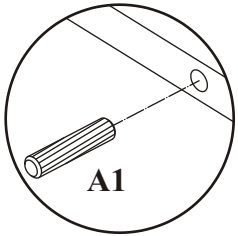
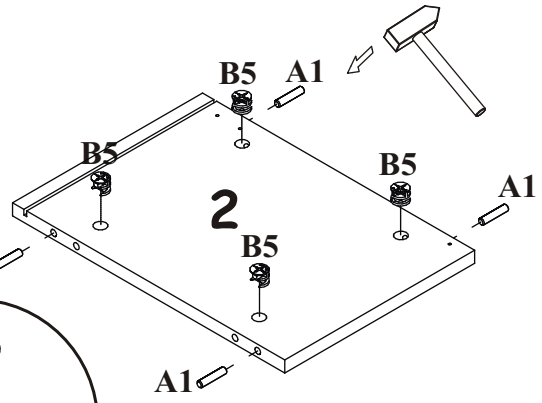
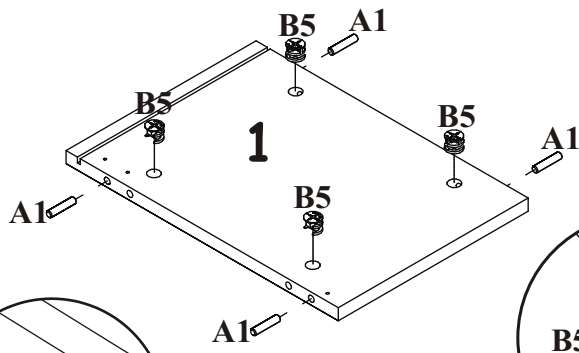
SWITCH RTV 2

A1 X12 ø8x36	B4 X12	G5 X12	B5 X12 ø15x12	ZR1 X3	D6 X6 USØ3,5x30
E1 X2 Ø26 H=0	E2 X2 H=0	D10 X10 USØ3,5x13	OD1 X1	S1 X10	BP1 X2
KR2 X3	G2 X1				



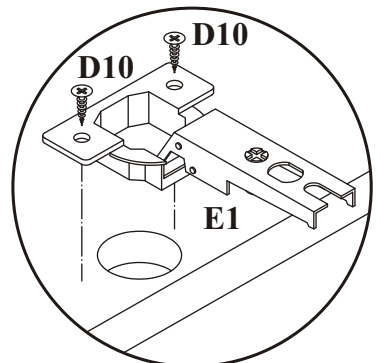
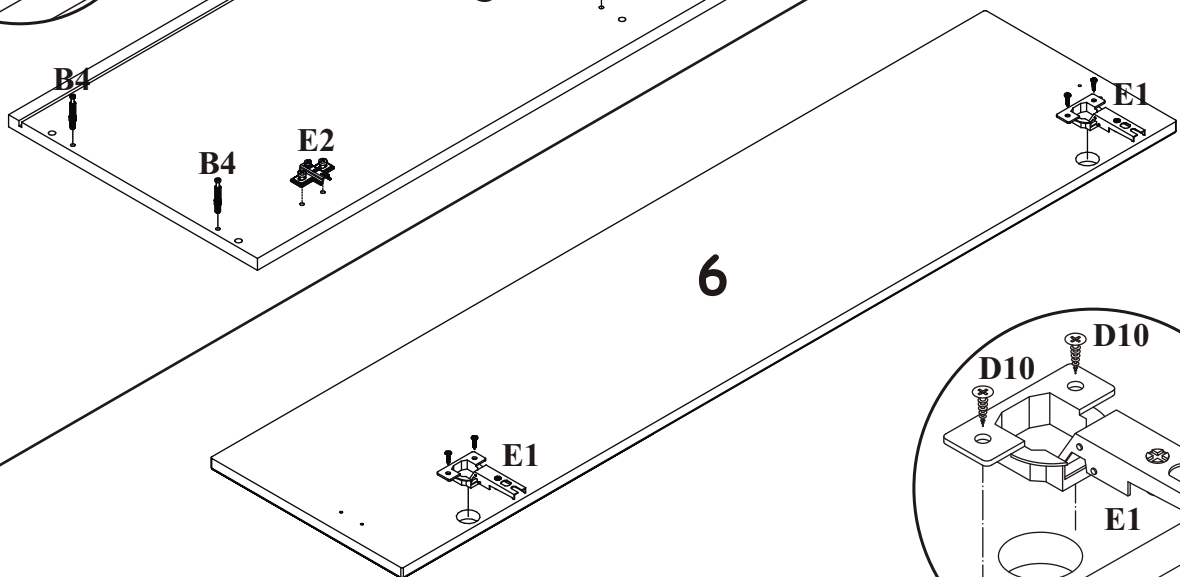
SWITCH RTV 2

1



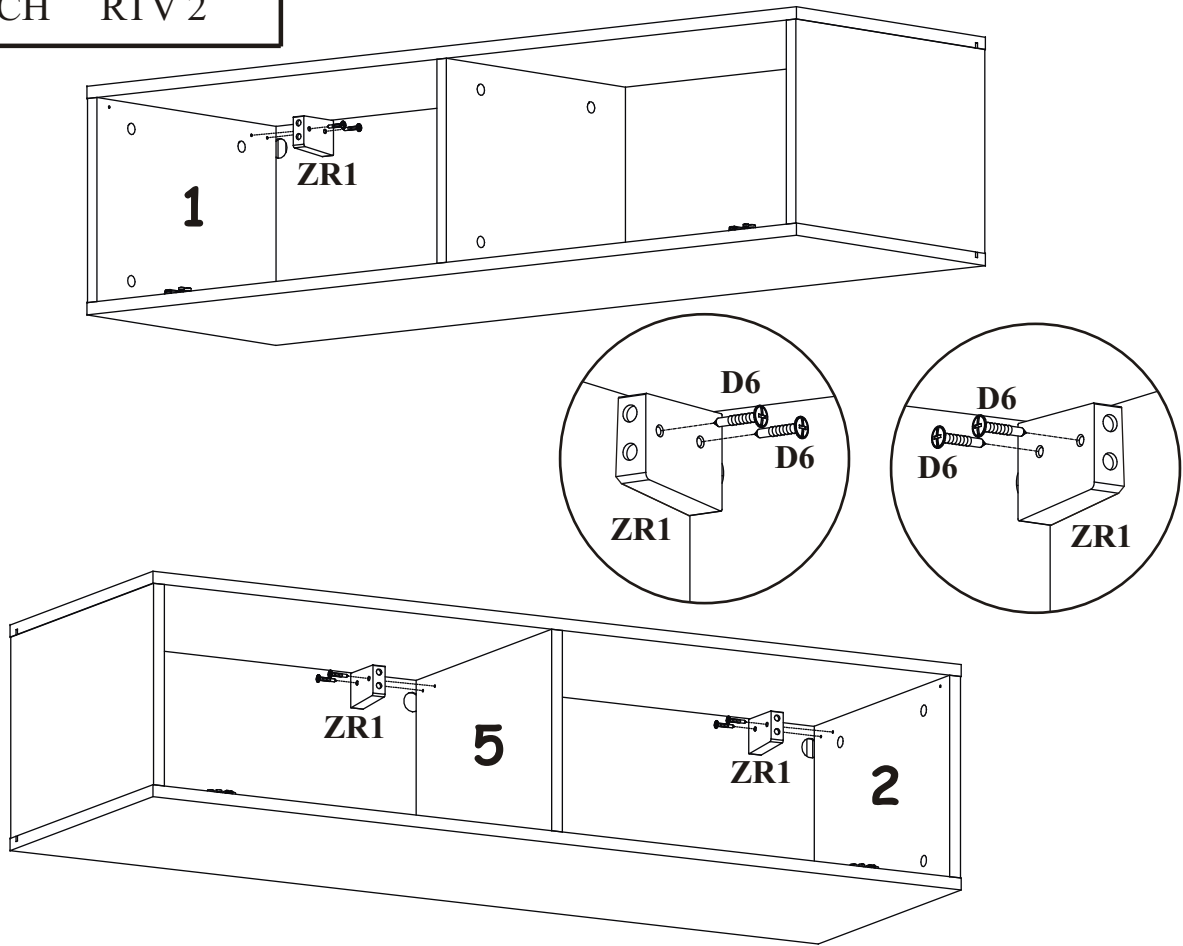
3

6

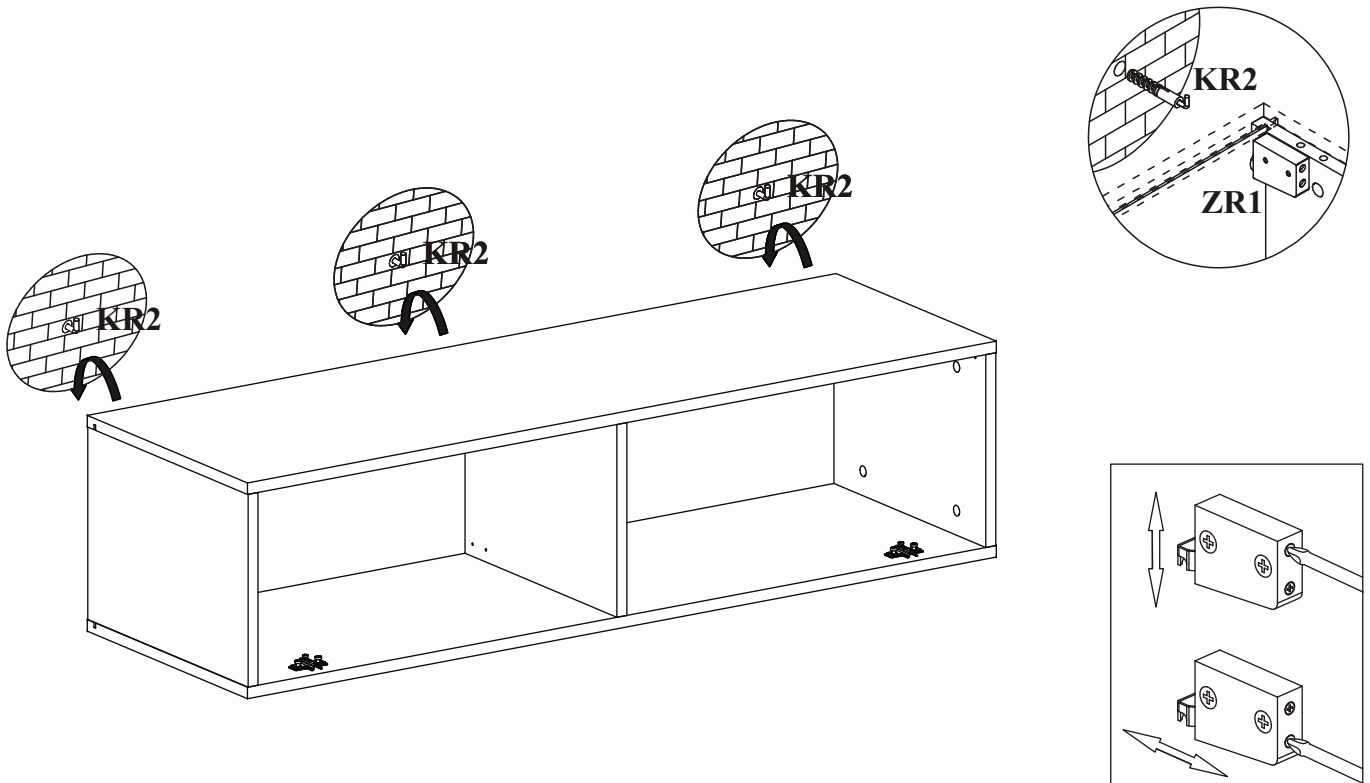


2

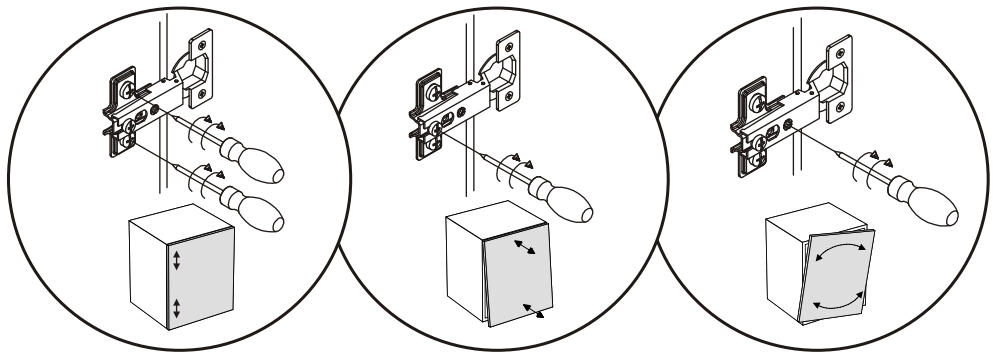
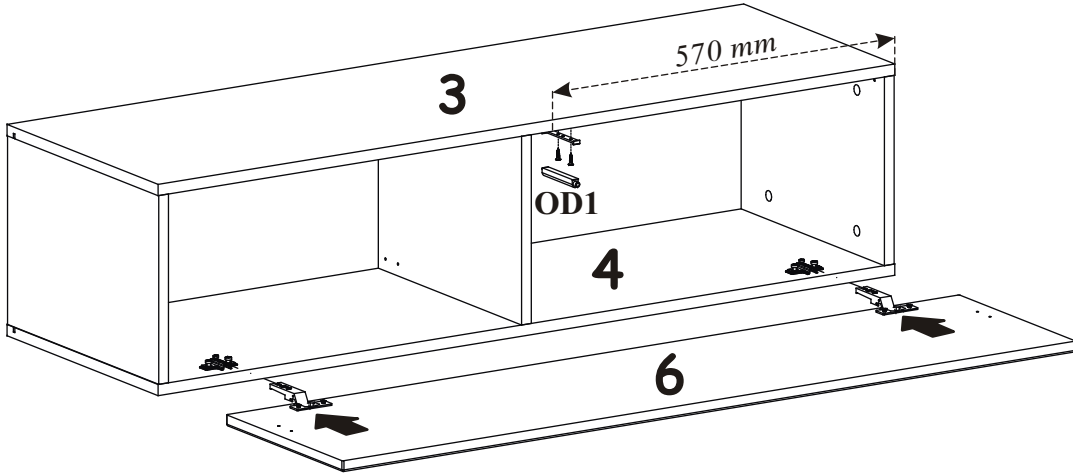
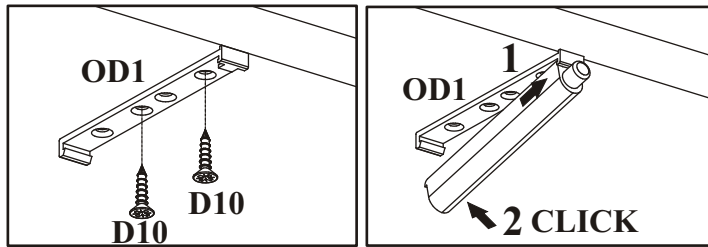
6



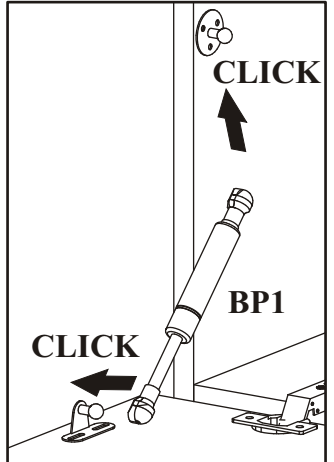
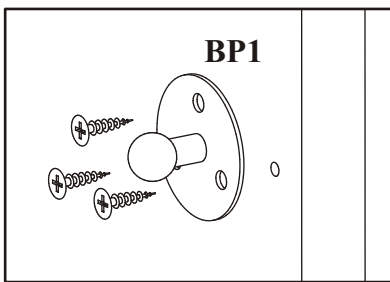
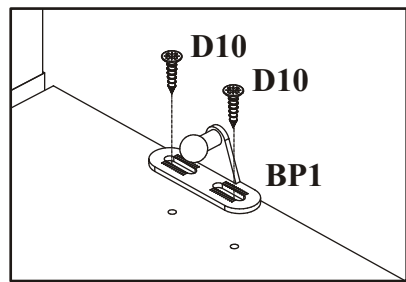
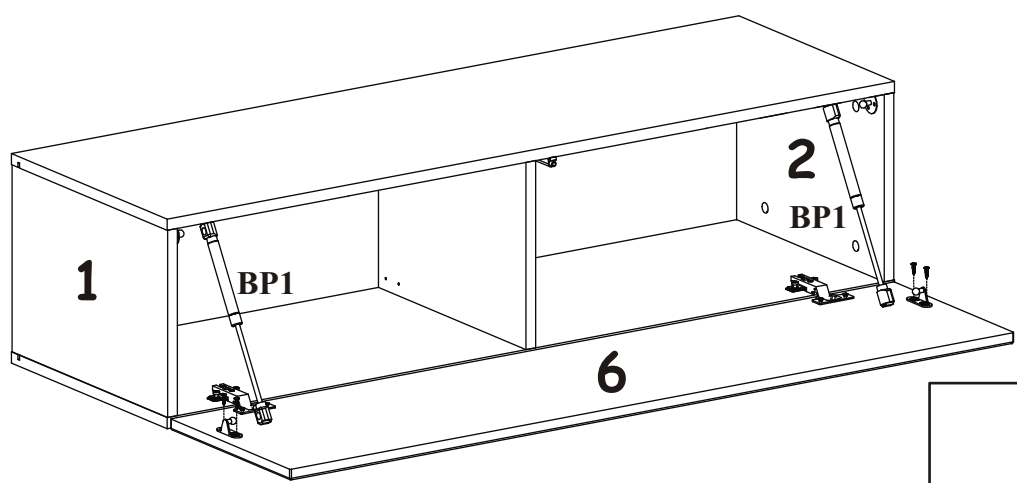
7



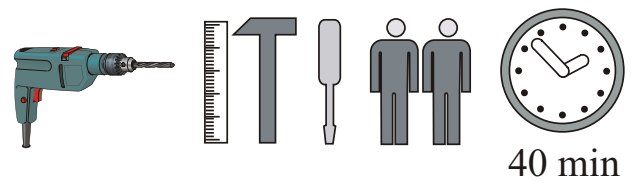
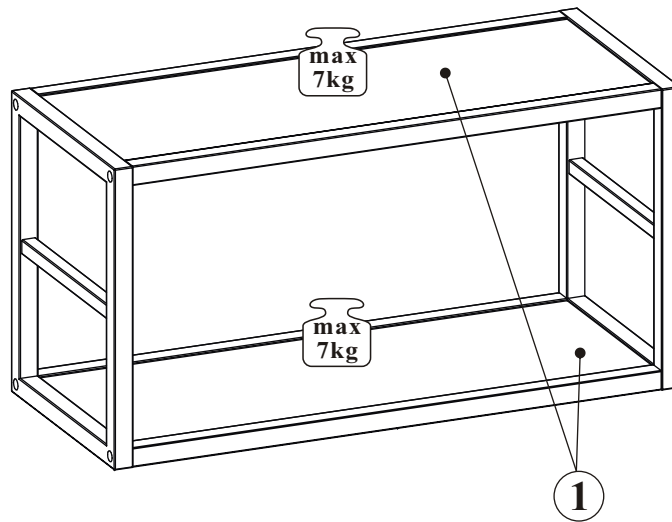
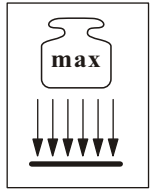
8



9




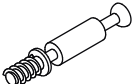

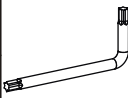




SWITCH 27_SW RM6

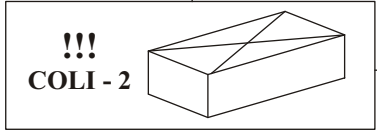


40 min

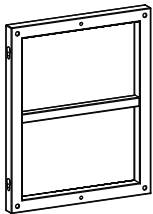

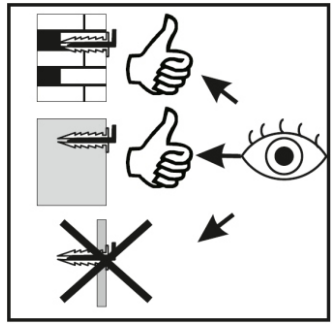
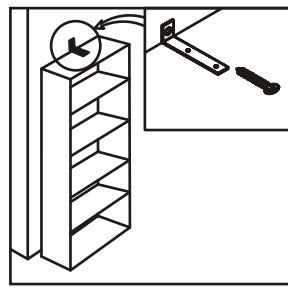
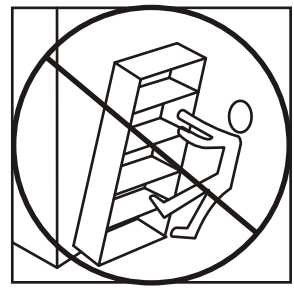
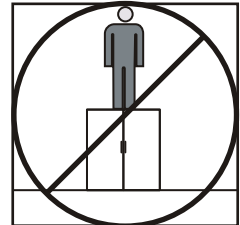
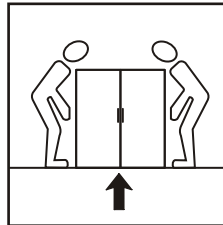
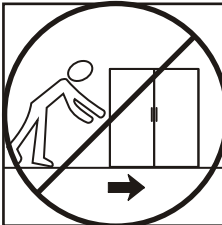
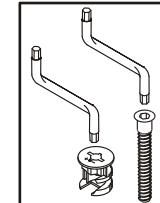
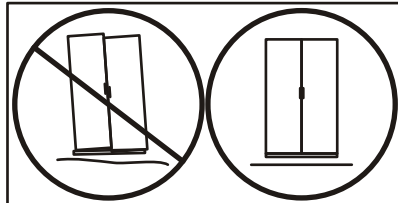
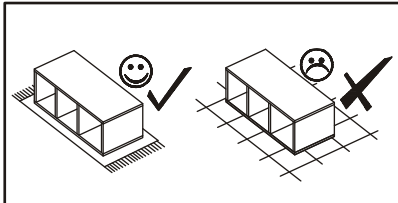
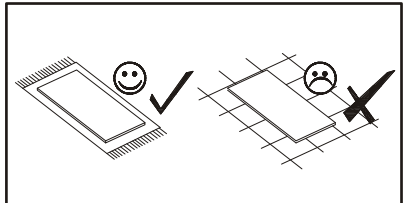
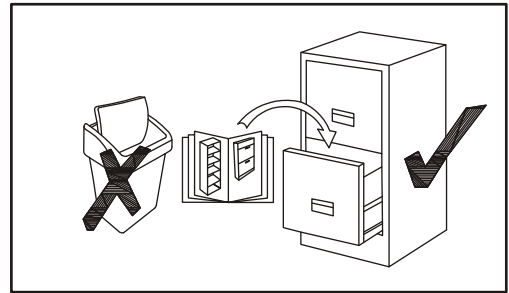
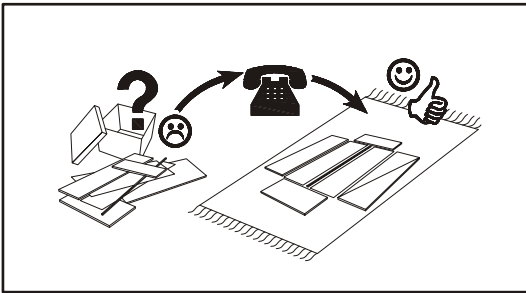
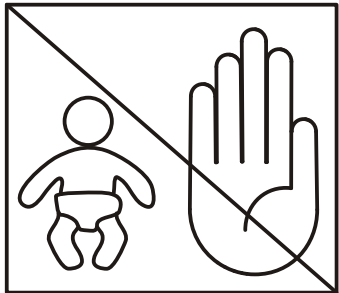
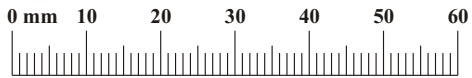
NO	Dim.			Col.-No	Qty
1	560	208	16	1	2

SWITCH 27__SW RM6

B5 x12	 Ø15x12	B20 x12		G5 x12		GSZ x1		G2 x1		KR3 x4	 Ø10
D60 x8	 M6x30	G12 x8	 Ø14								



RM6

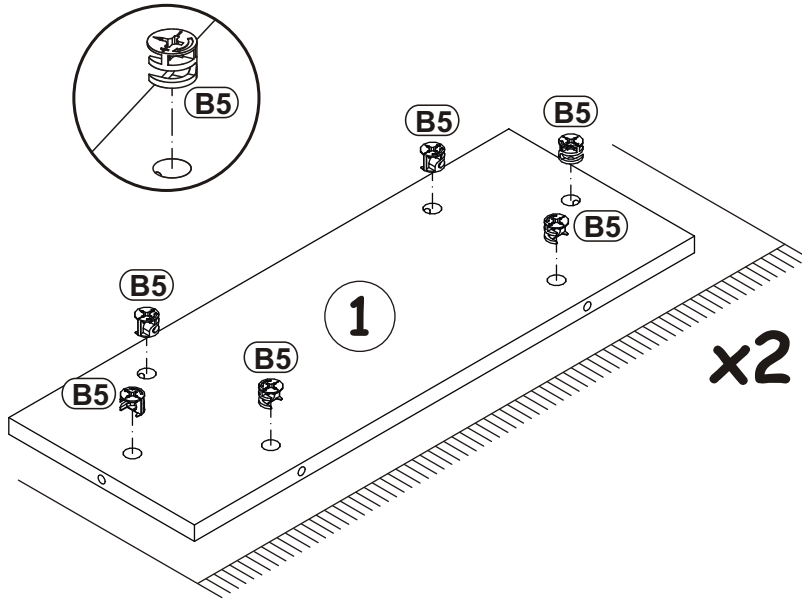
 x2
 x4


B5

x12



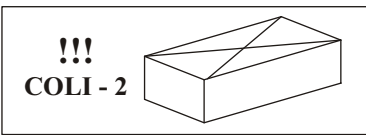
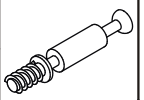
1



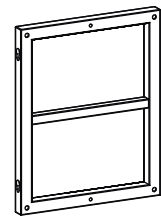
2

B20

x12



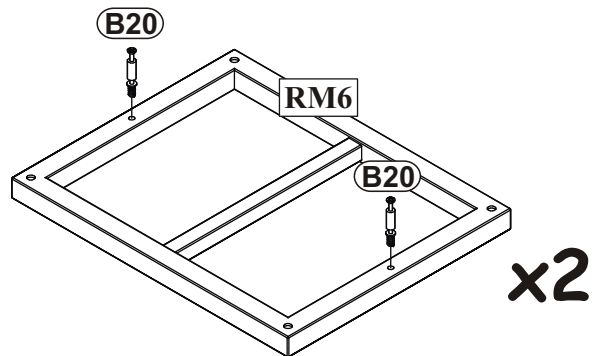
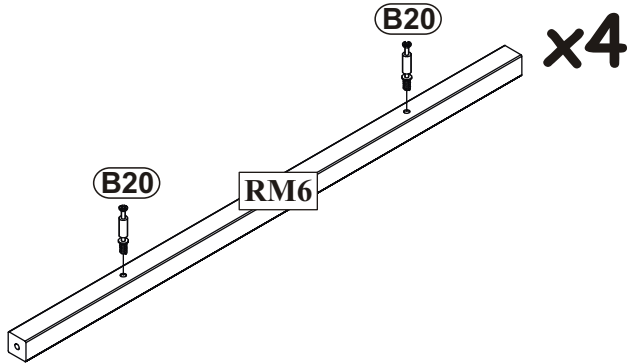
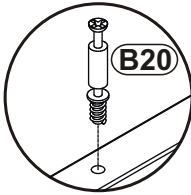
RM6



x2

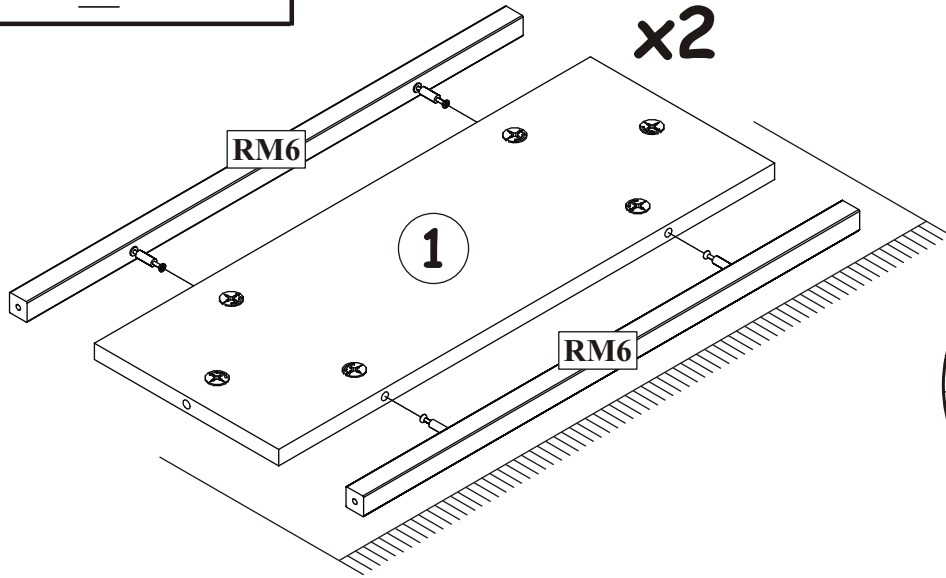


x4

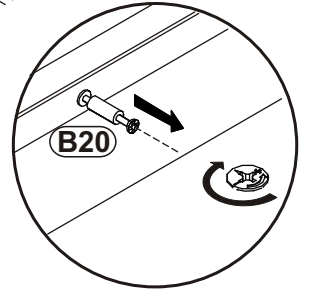


SWITCH 27__SW RM6

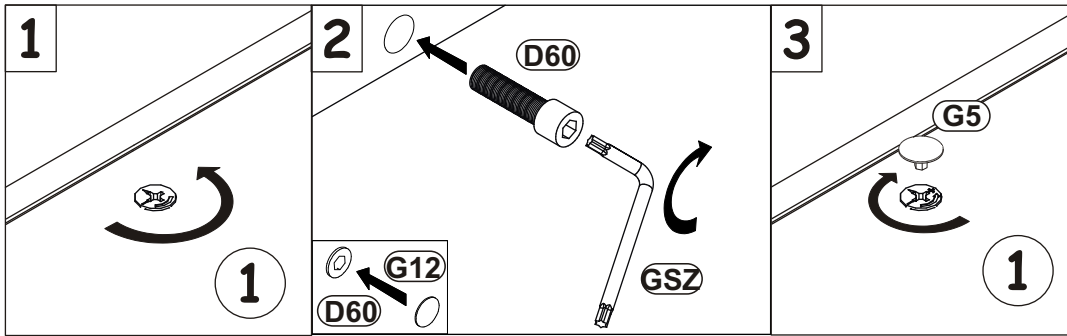
3



G5	
x12	



4

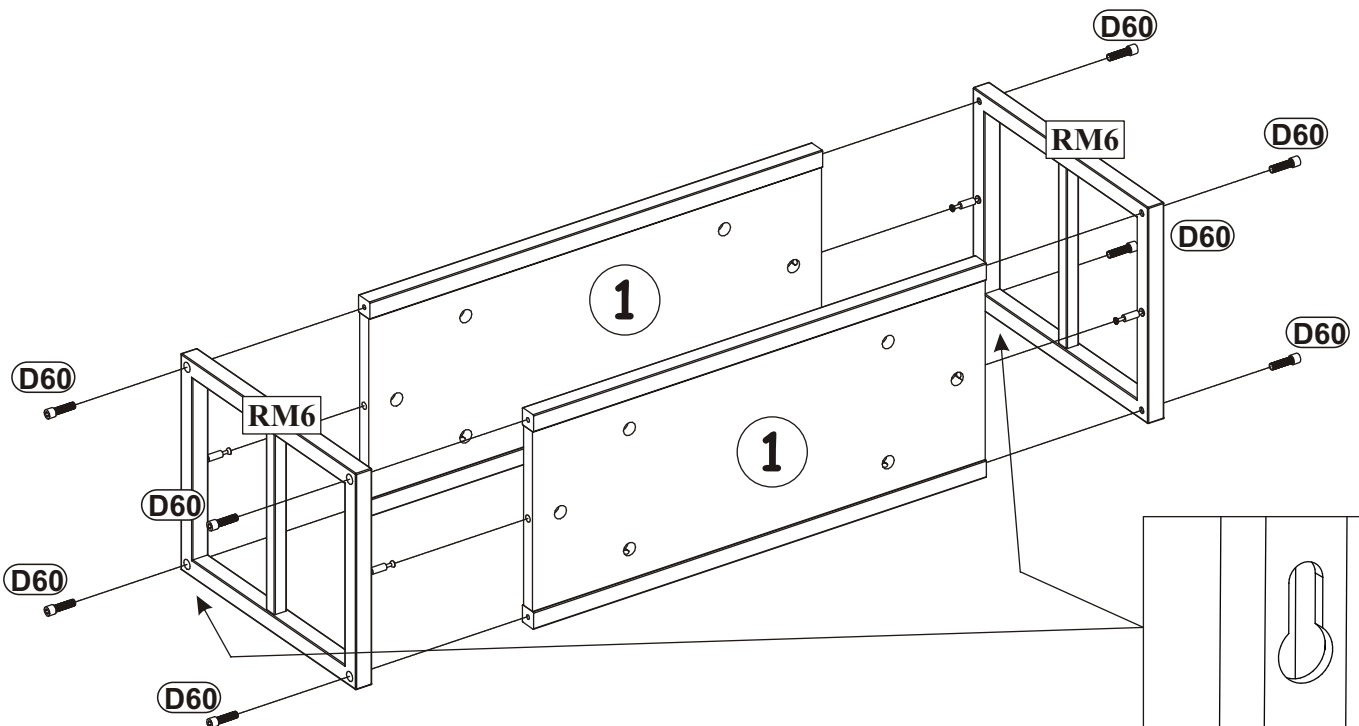


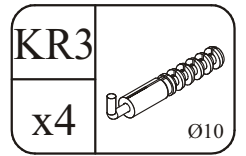
G5	
x4	

D60	
x8	M6x30

G12	
x8	Ø14

GSZ	
x1	





5

