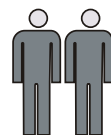
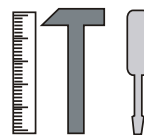
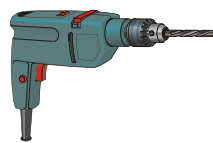
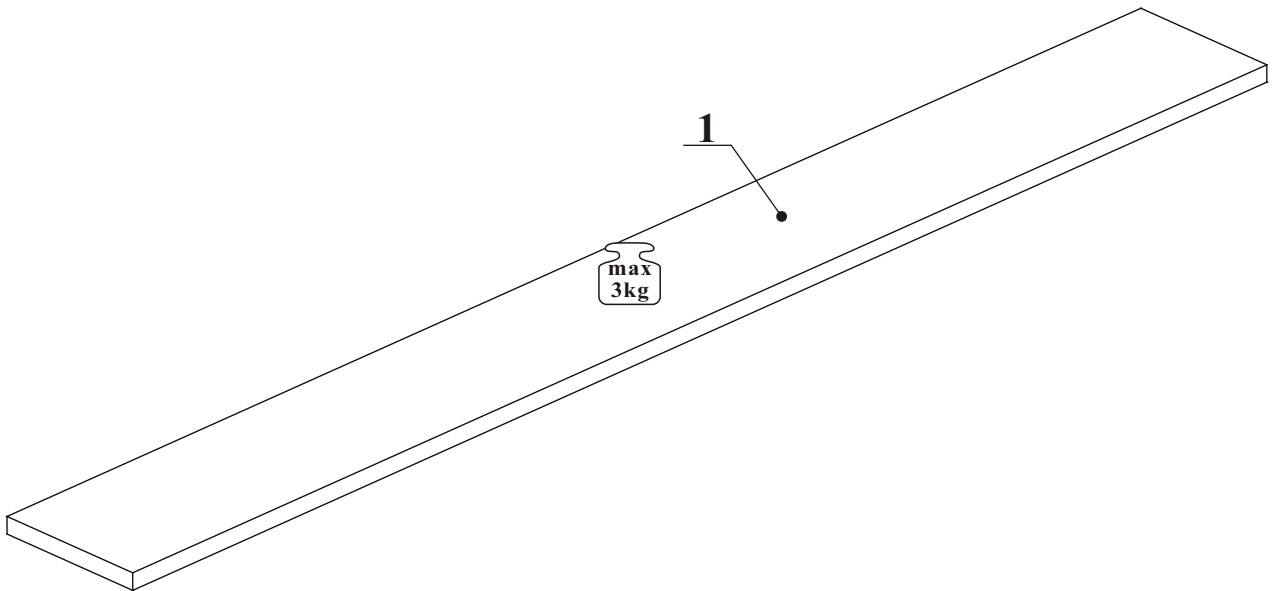
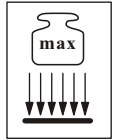


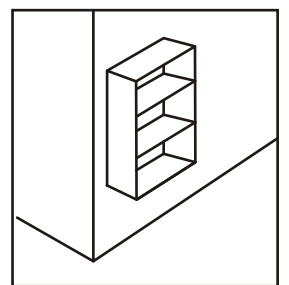
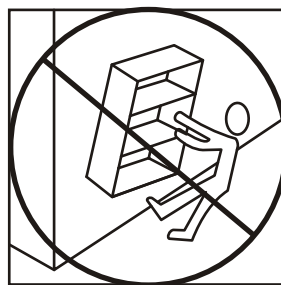
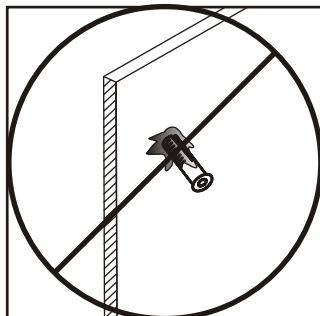
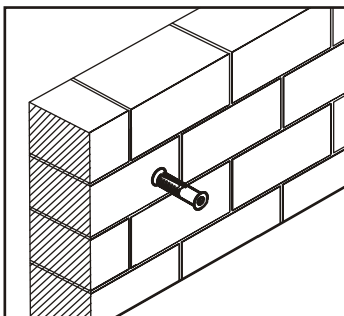
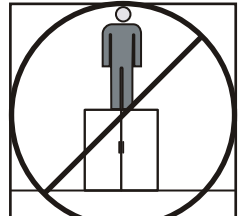
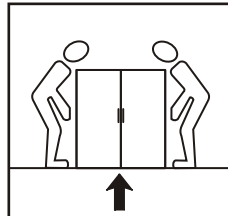
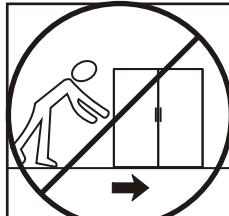
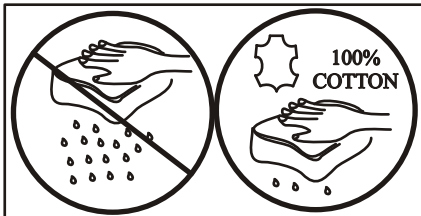
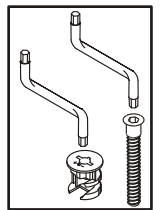
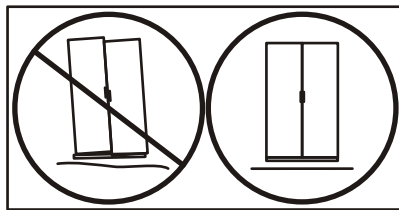
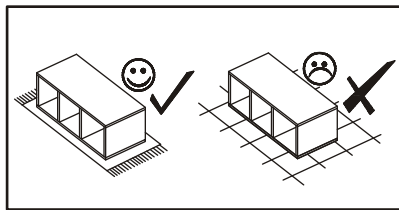
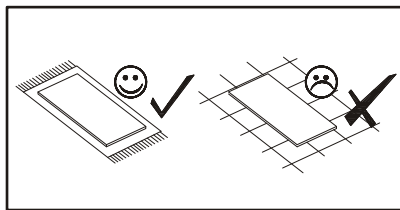
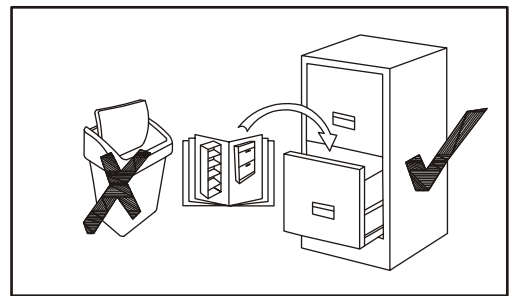
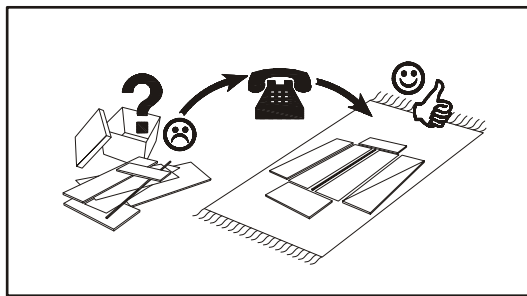
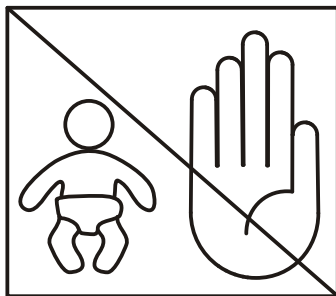
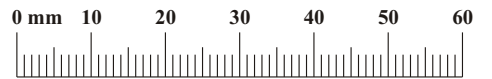
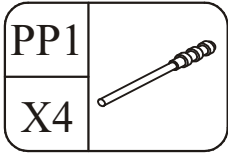
SWITCH PW 1



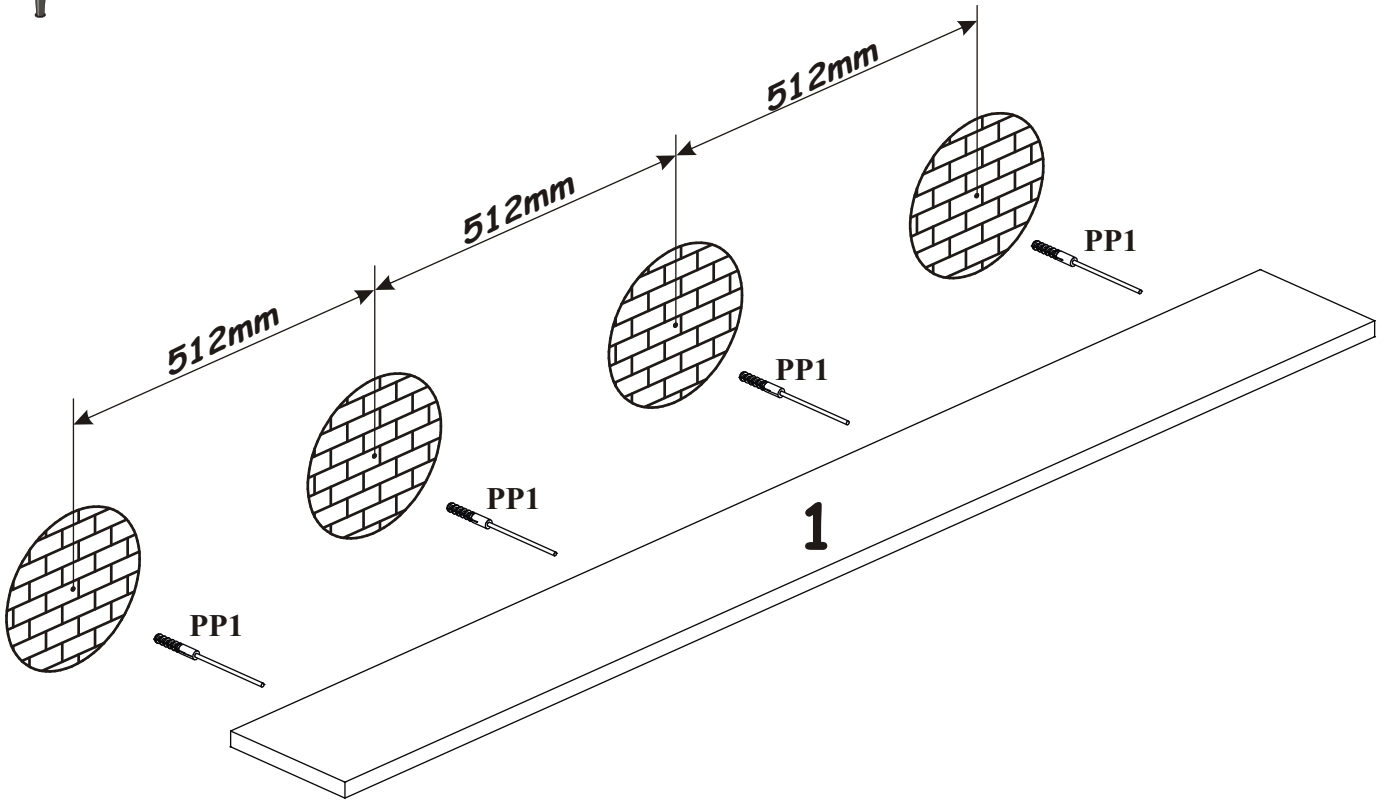
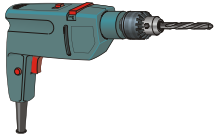
10 min

NO	Dim.	Col.-No	Qty
1	1802 200	1	1

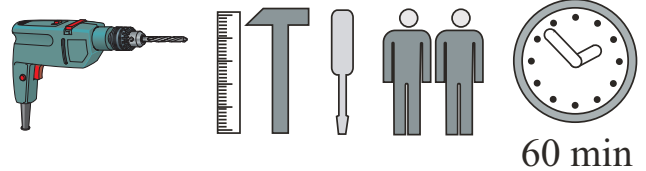
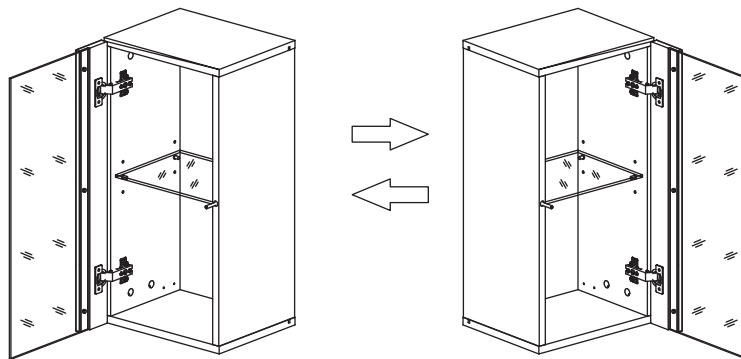
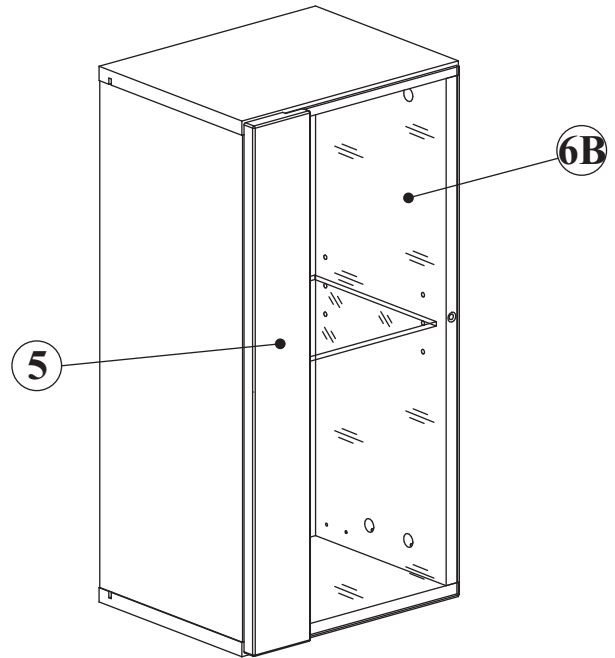
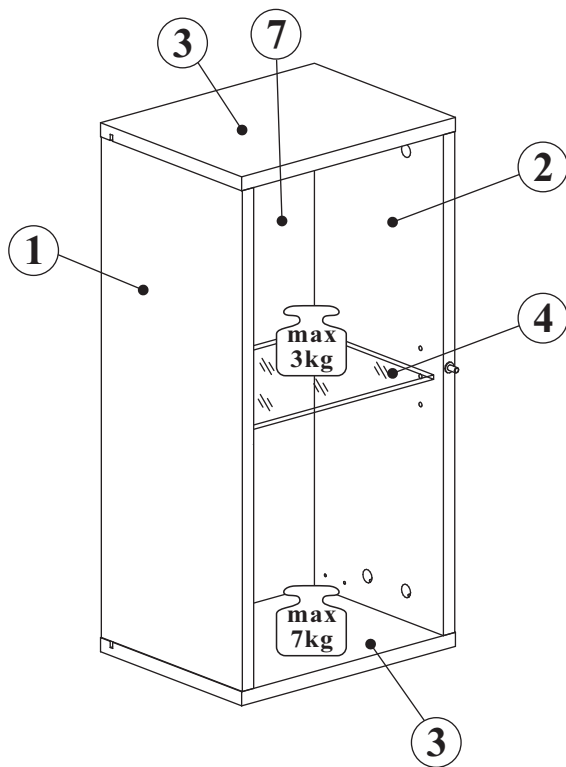
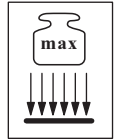
SWITCH PW 1



SWITCH PW 1



SWITCH 27 -- SW WW 4

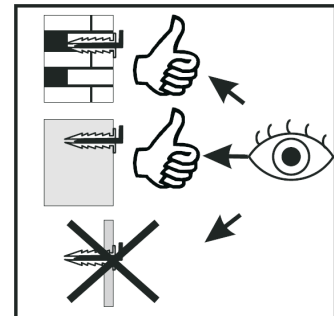
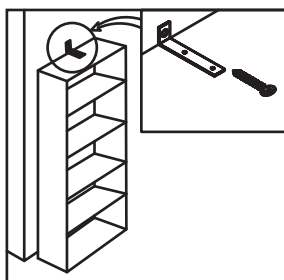
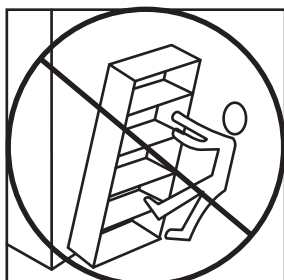
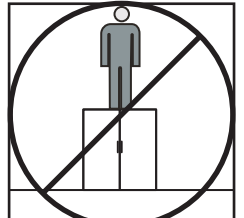
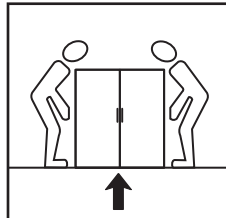
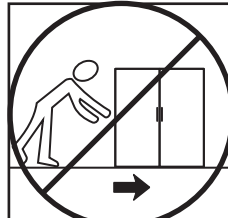
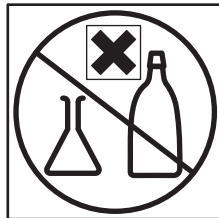
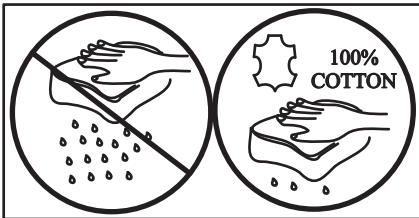
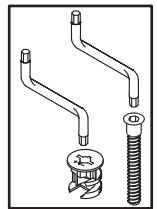
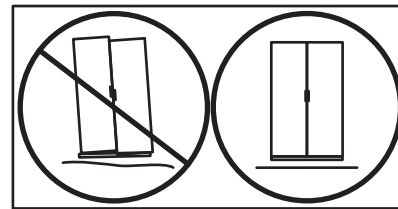
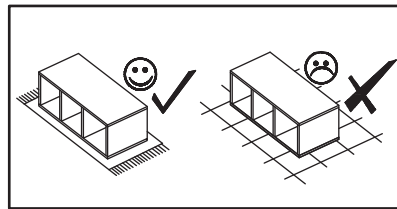
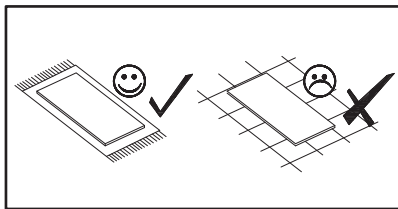
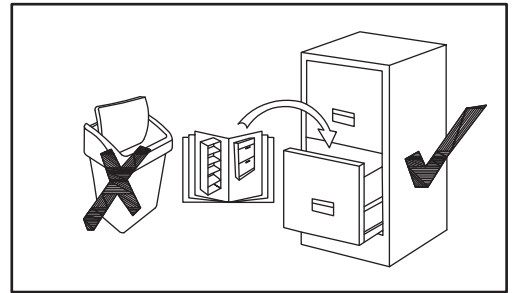
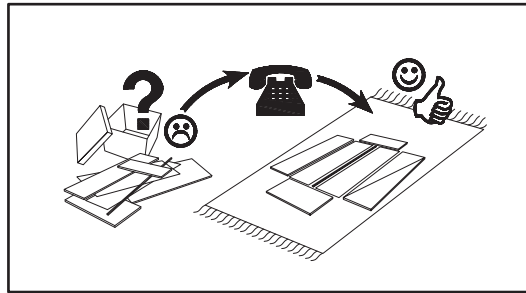
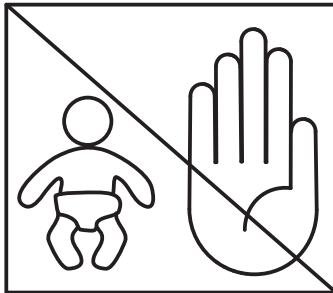
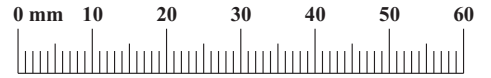


60 min

NO	Dim.			Col-No	Qty
1	570	234	16	1	1
2	570	234	16	1	1
3	302	234	16	1	2
4	266	199	5	1	1
7	582	280	3	1	1
5	80	596	16	1	1
6B	594	241	4	1	1

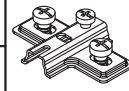
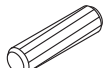

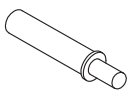
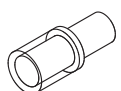
SWITCH WW 4

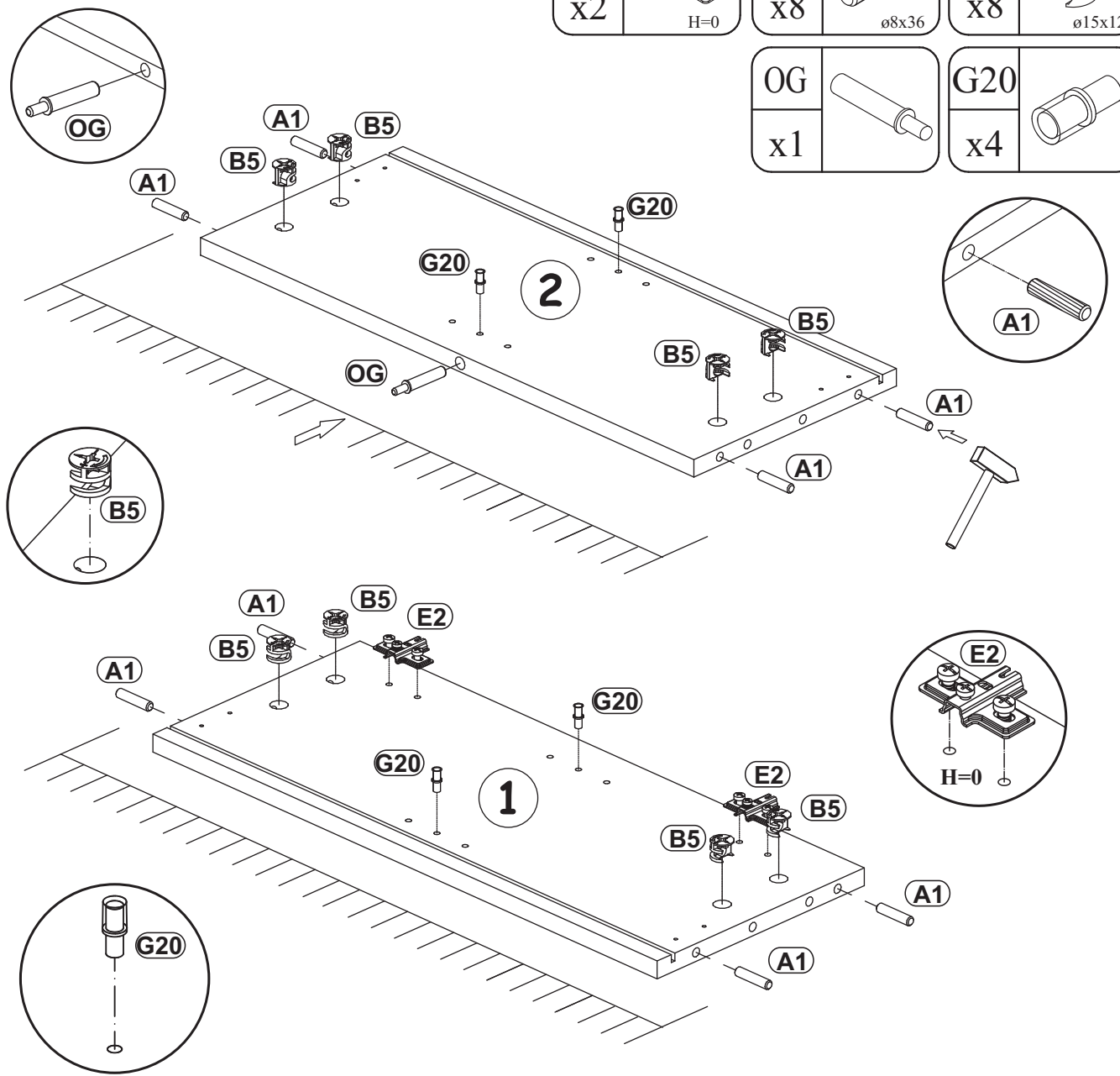
A1 x8 ø8x36	B4 x8	G5 x8	B5 x8 ø15x12	ZR1 x2	D6 x4 USØ3,5x30
E1 x2 Ø26 H=0	E2 x2 H=0	D10 x4 USØ3,5x13	OG x1	S1 x6	KR2 x2 Ø8
G20 x4	G2 x1	P2 x3	UP13 x3 UPØ3x16	LED x1	



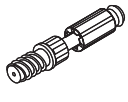
SWITCH WW 4

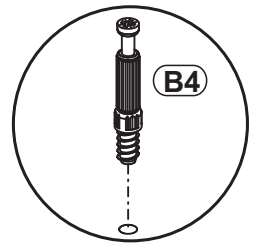
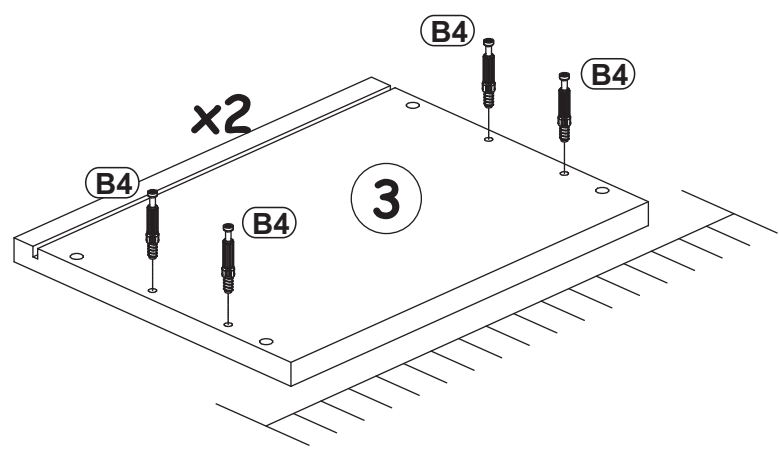
1

E2 x2	 H=0	A1 x8	 ø8x36	B5 x8	 ø15x12
OG x1		G20 x4			



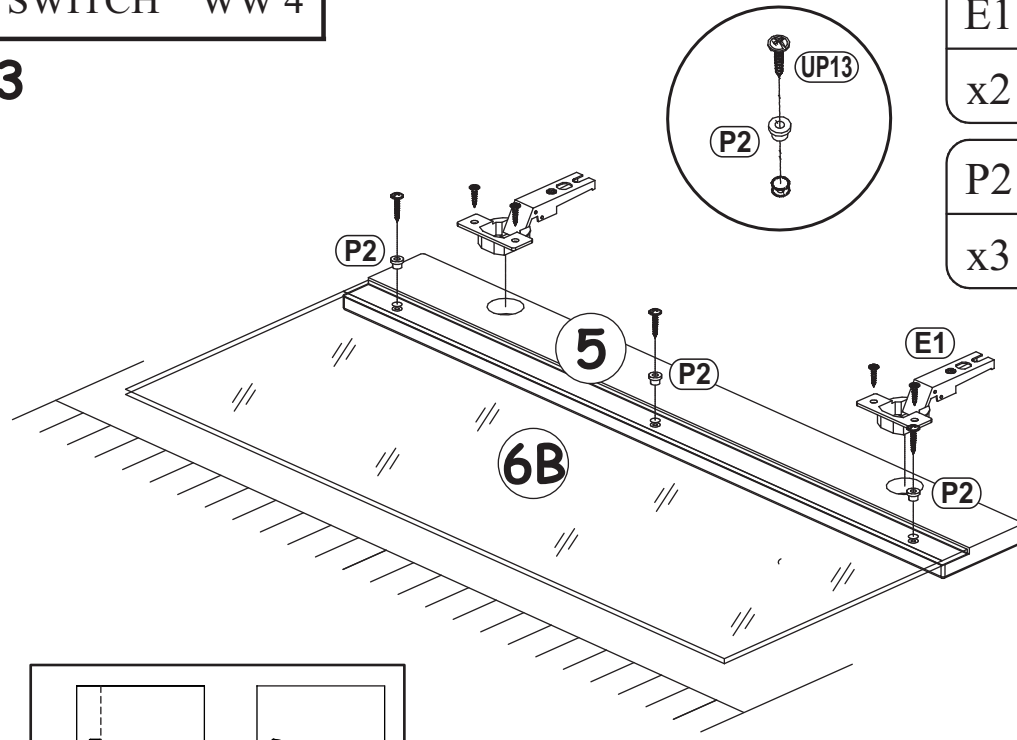
2

B4 x8	
----------	---



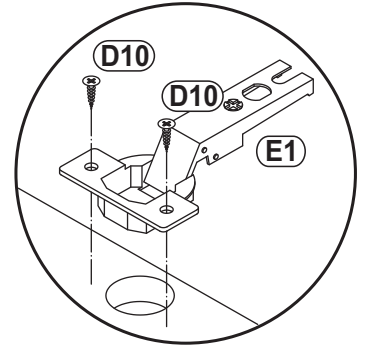
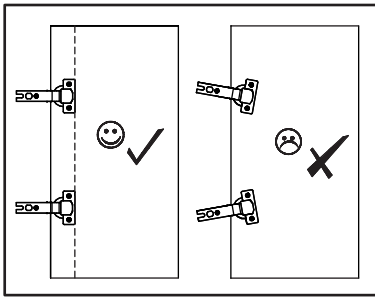
SWITCH WW 4

3

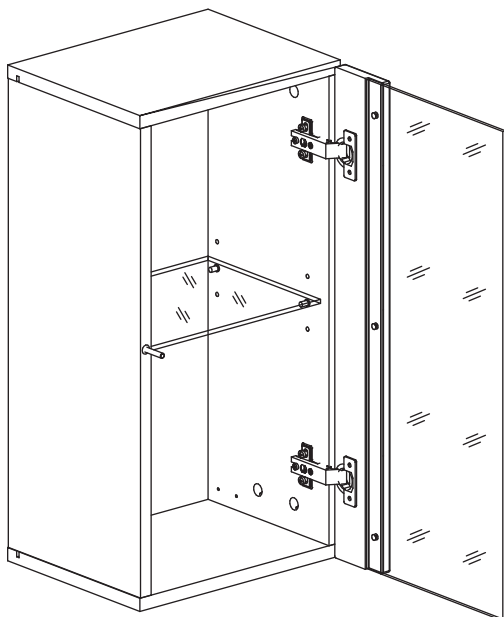


E1	Ø26 H=0	D10	USØ3,5x13
x2		x4	

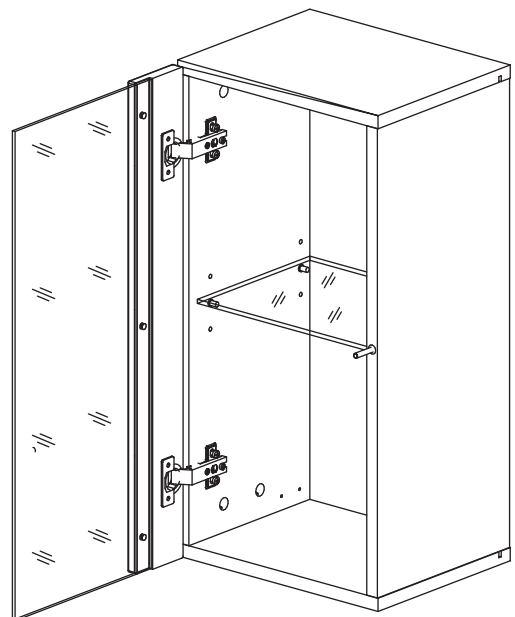
P2		UP13	UPØ3x16
x3		x3	



4 - 8

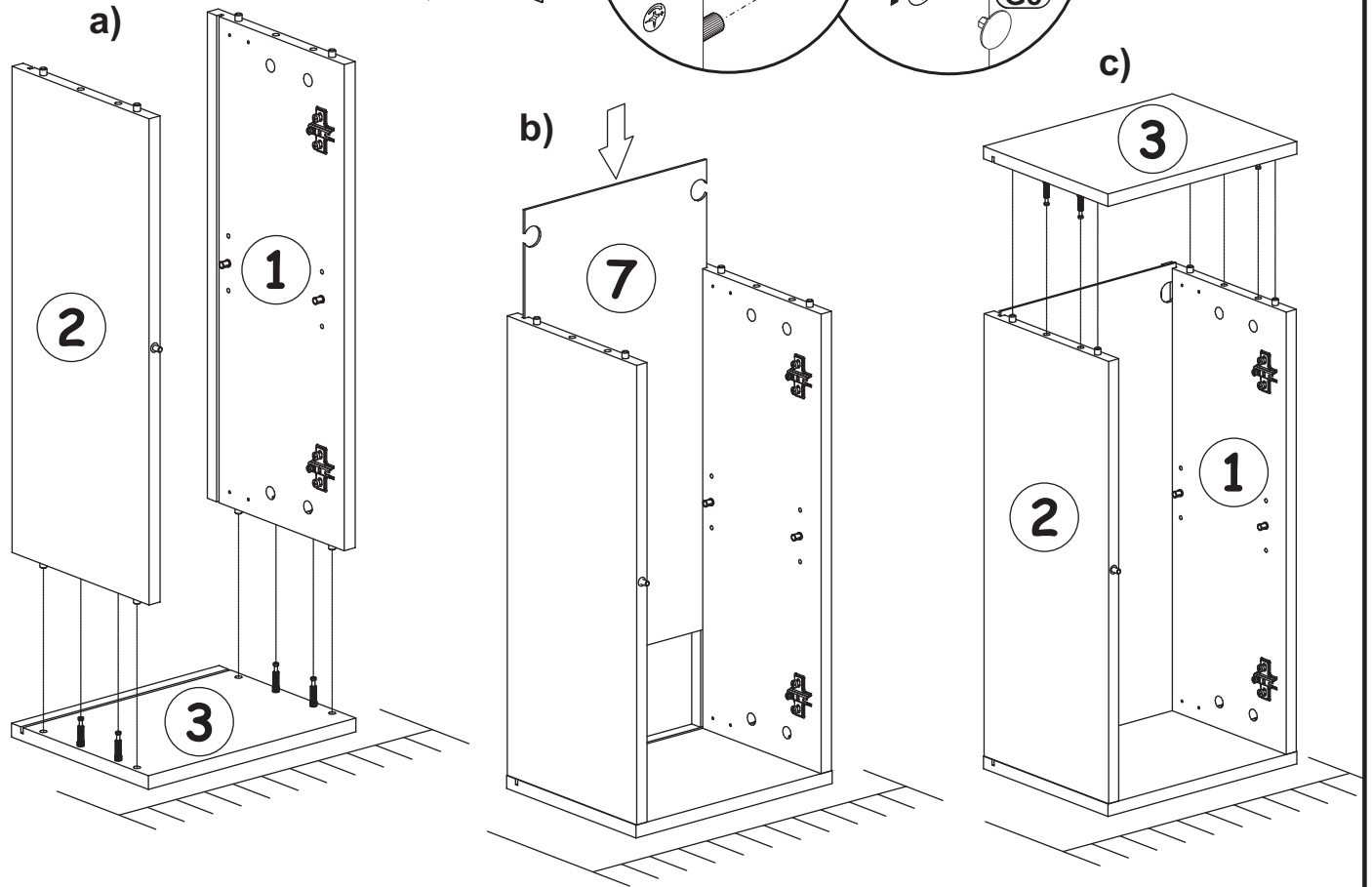


9 - 13

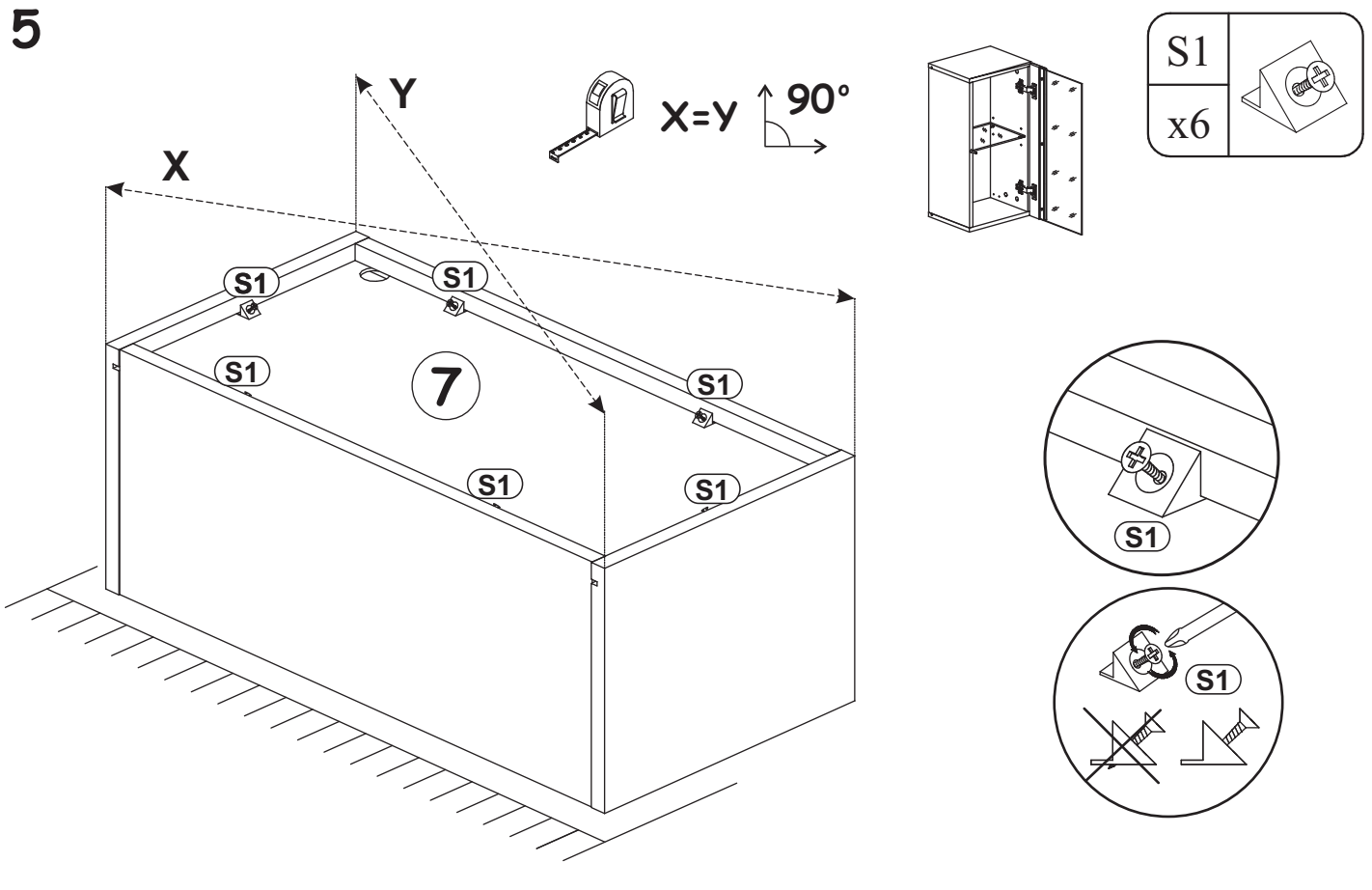


SWITCH WW 4

4

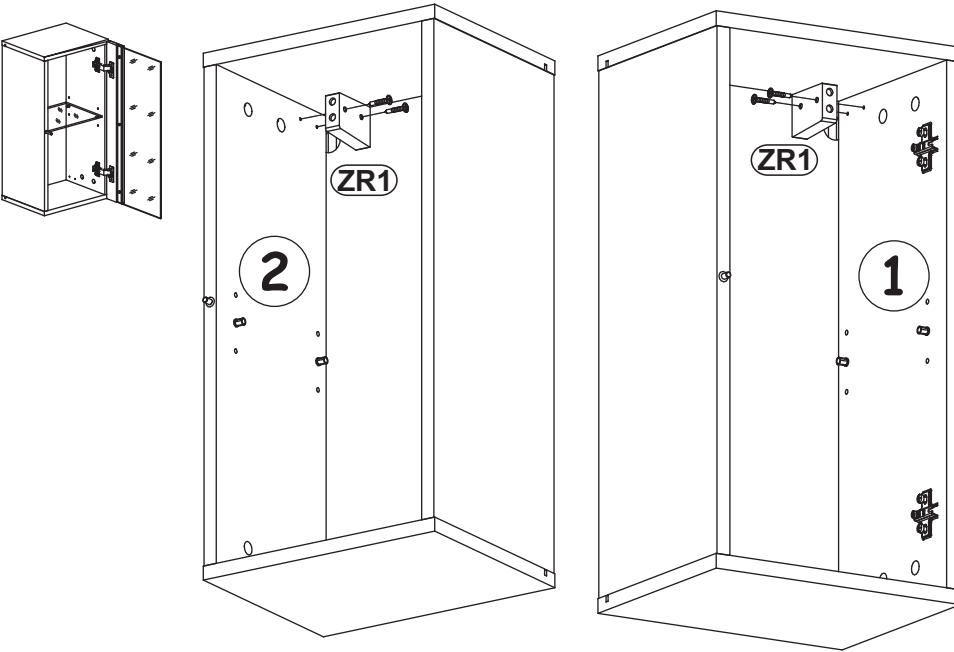


5



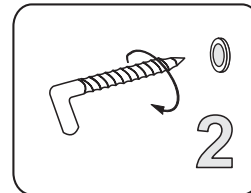
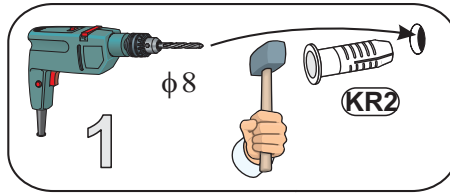
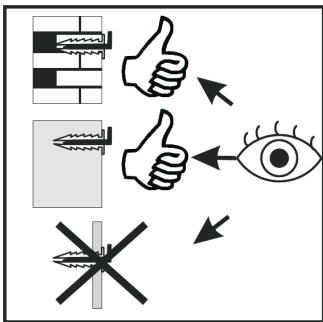
SWITCH WW 4

6

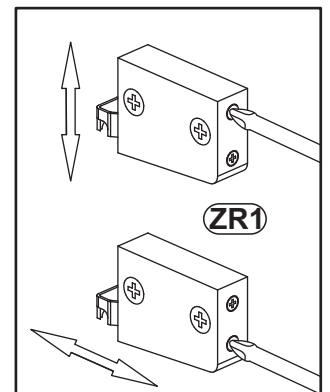
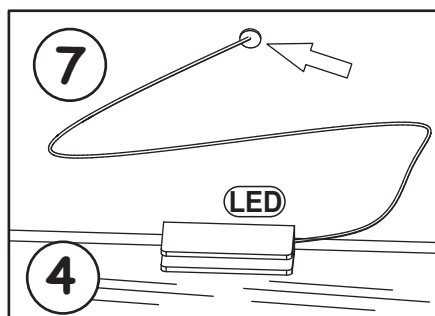
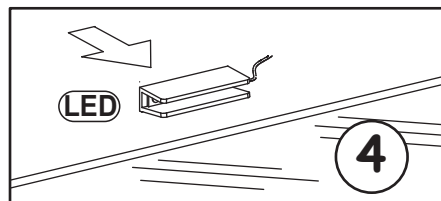
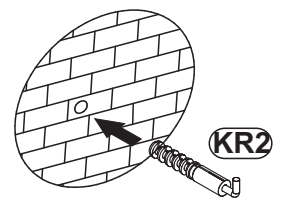
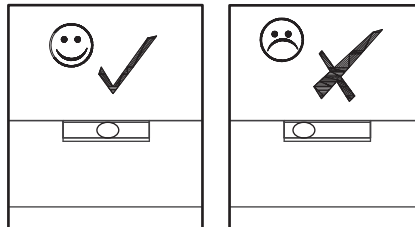
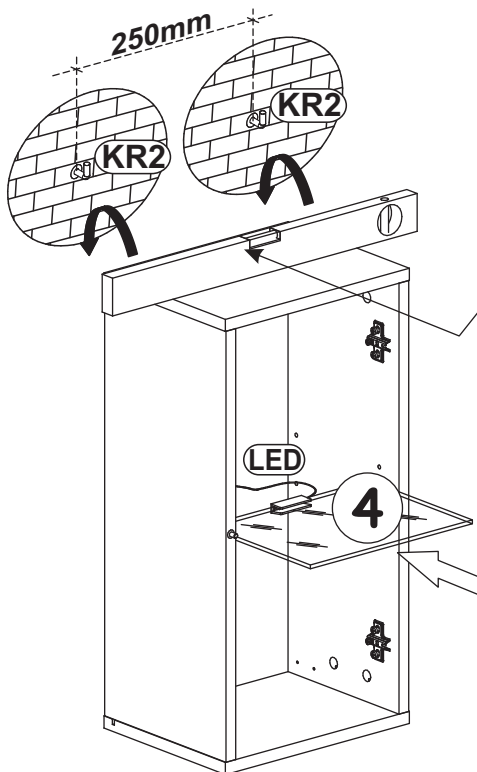


ZR1		D6	
x2		x4	US03,5x30

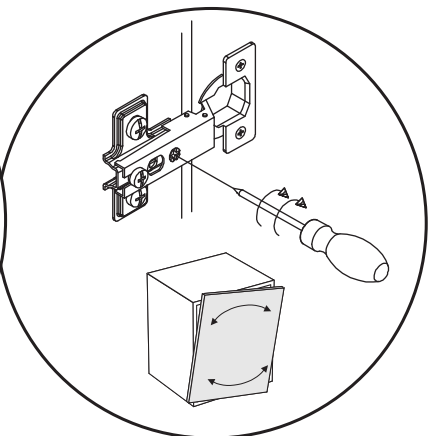
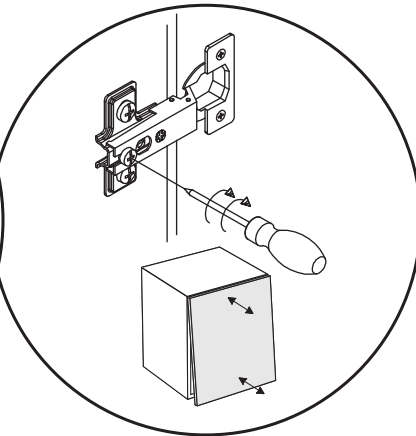
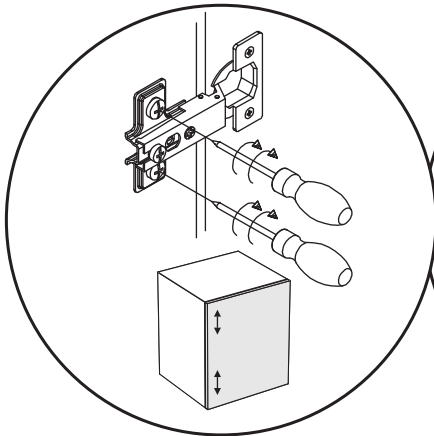
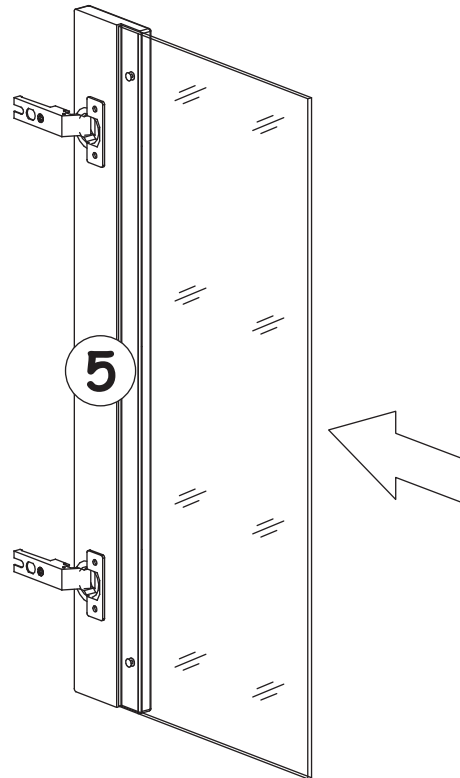
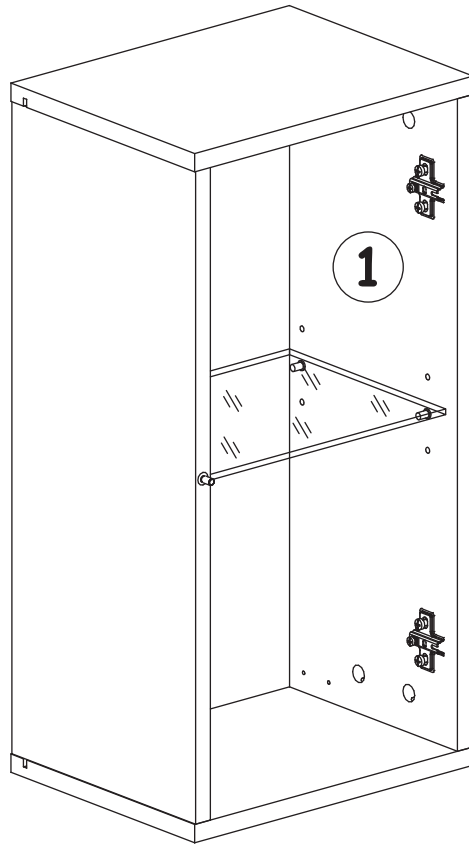
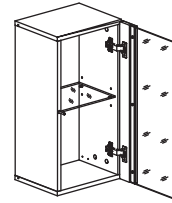
7



KR2	
x2	Ø8
LED	
x1	

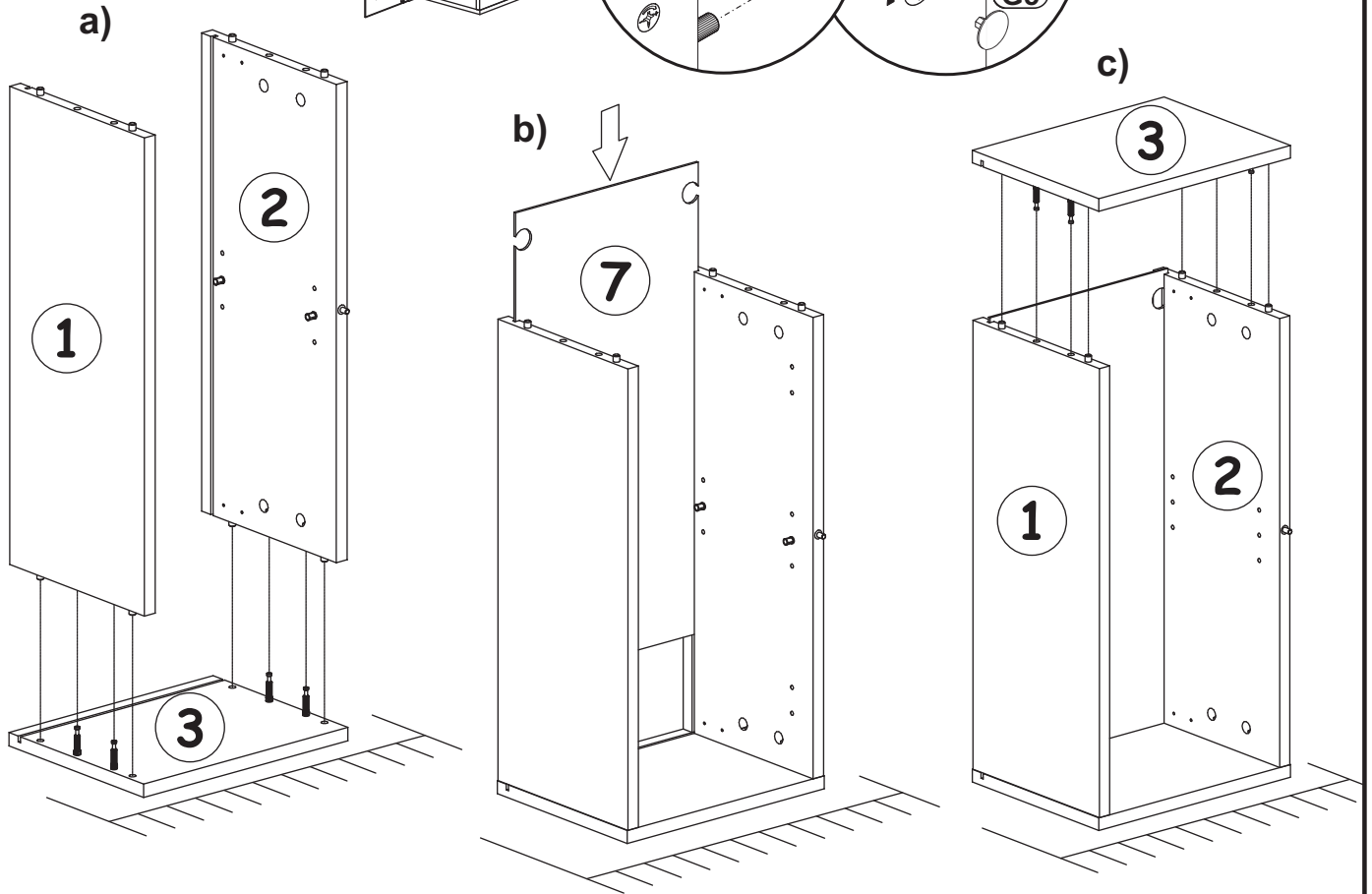


8

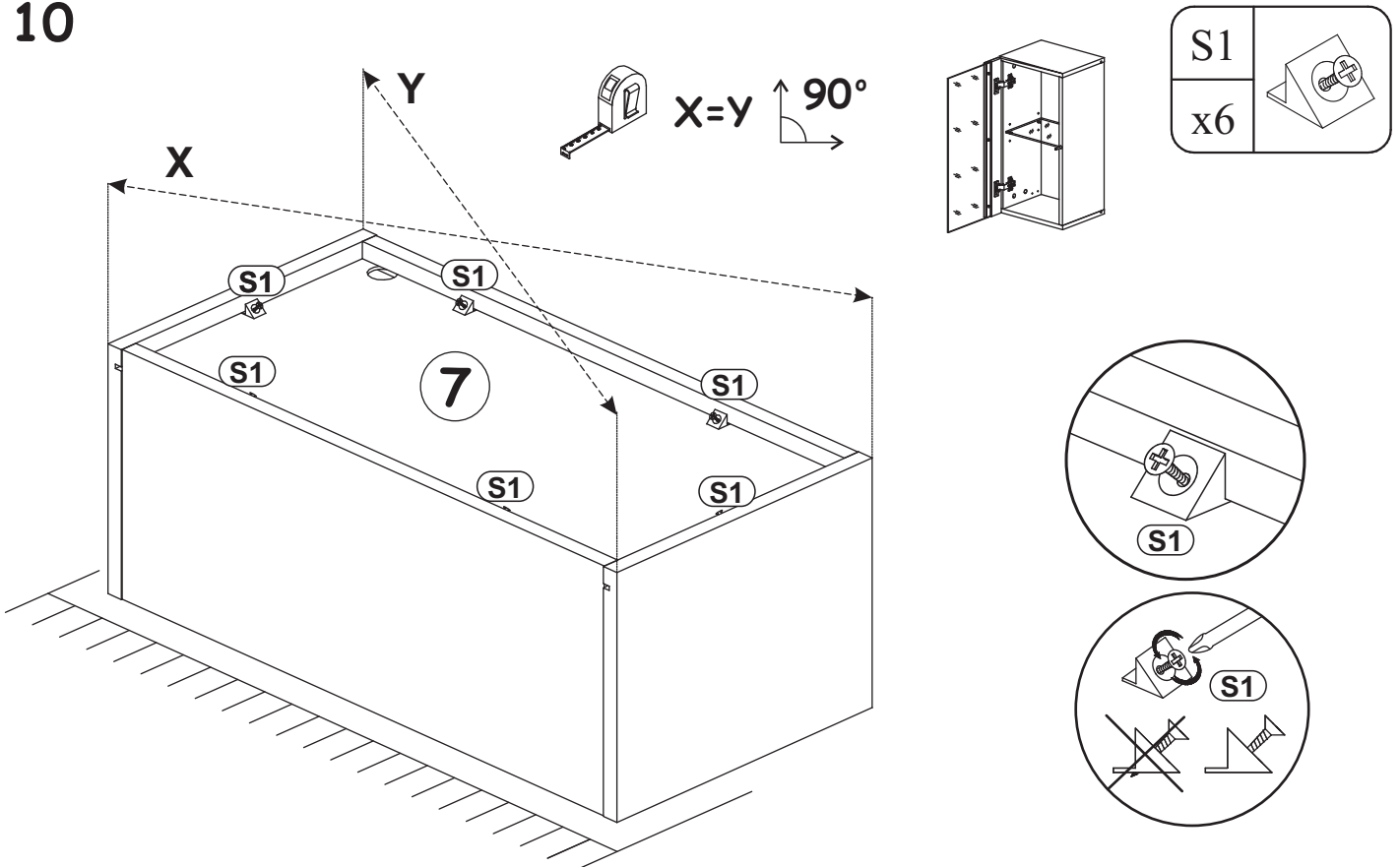


SWITCH WW 4

9



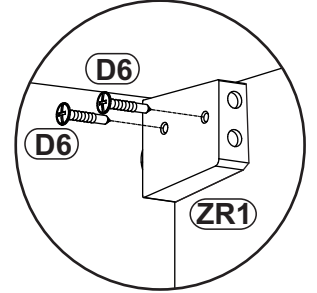
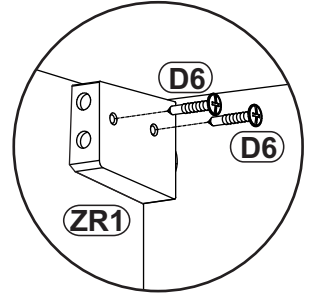
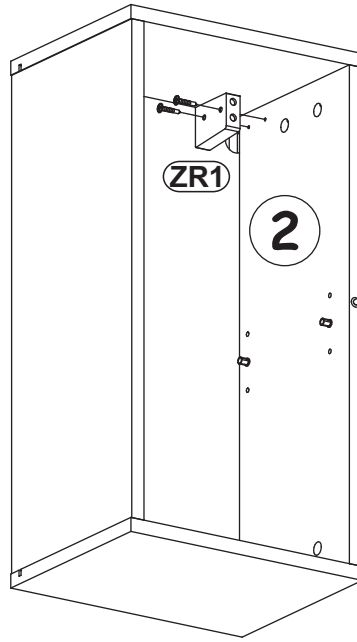
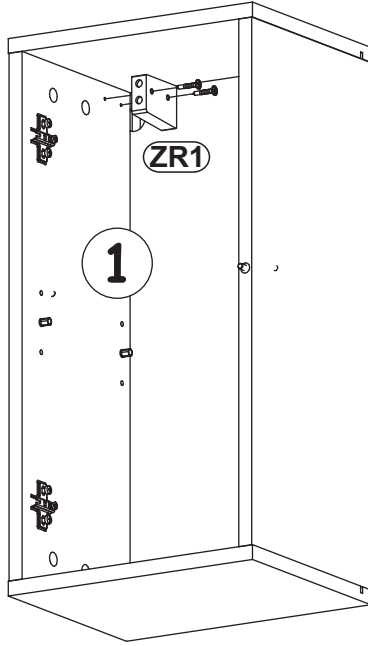
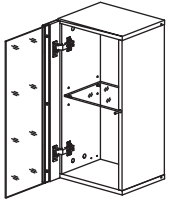
10



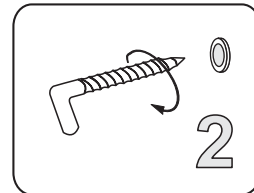
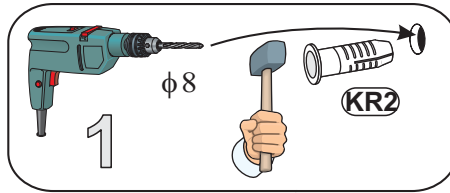
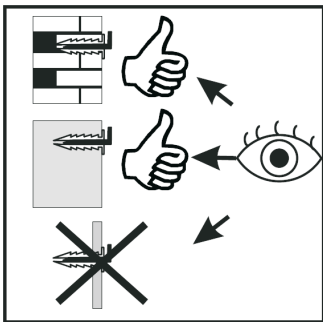
SWITCH WW 4

11

ZR1		D6	
x2		x4	US03,5x30

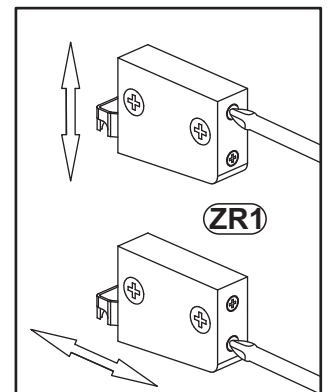
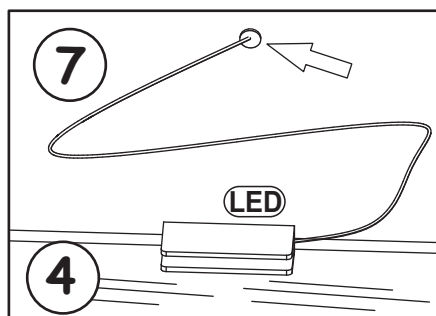
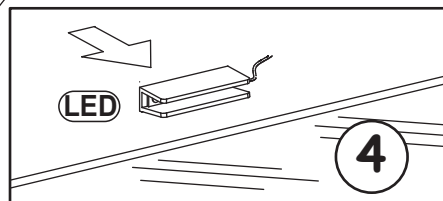
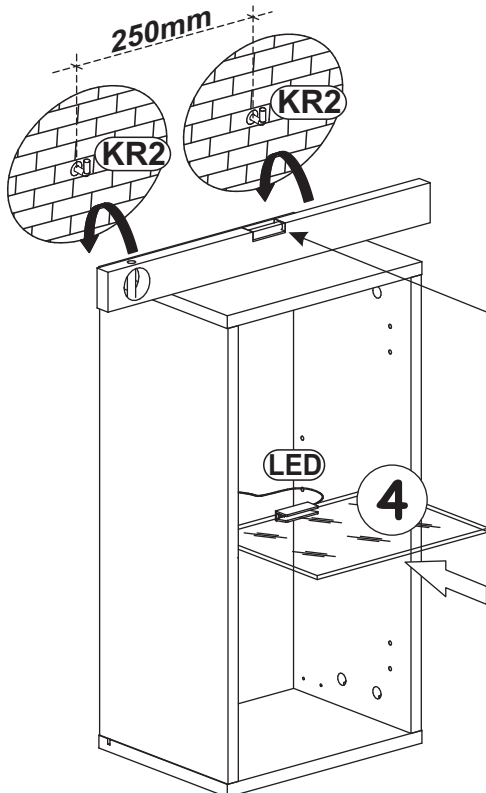
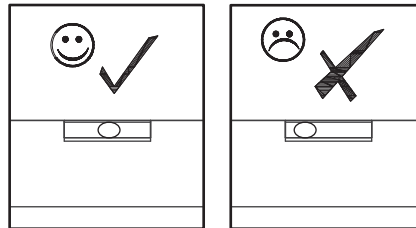


12

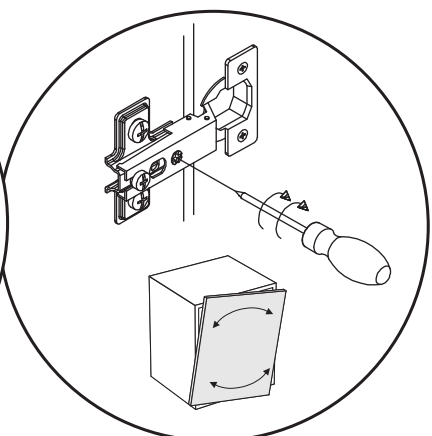
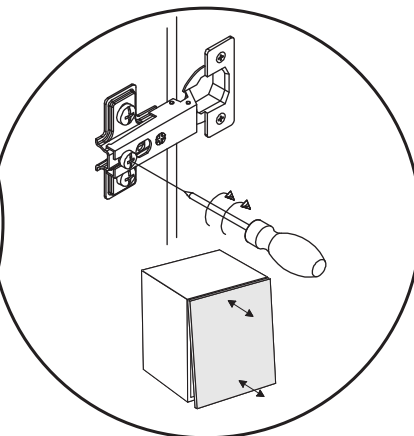
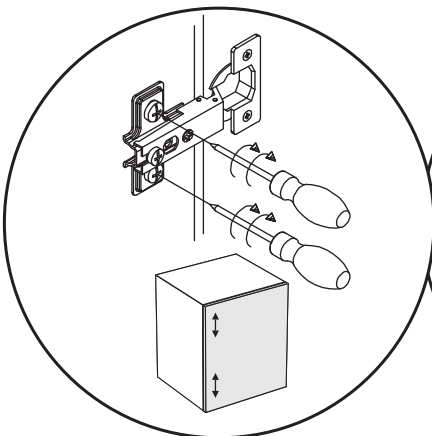
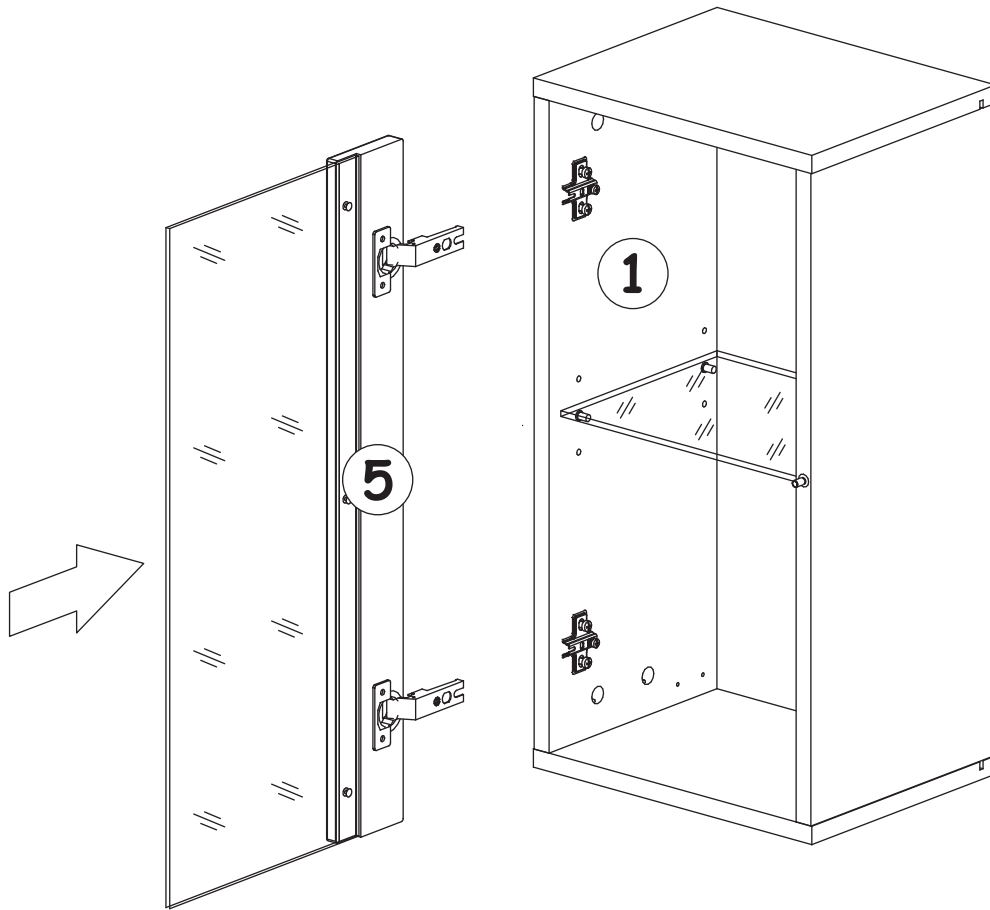
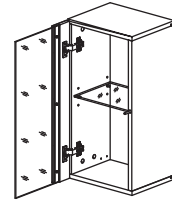


KR2	
x2	Ø8

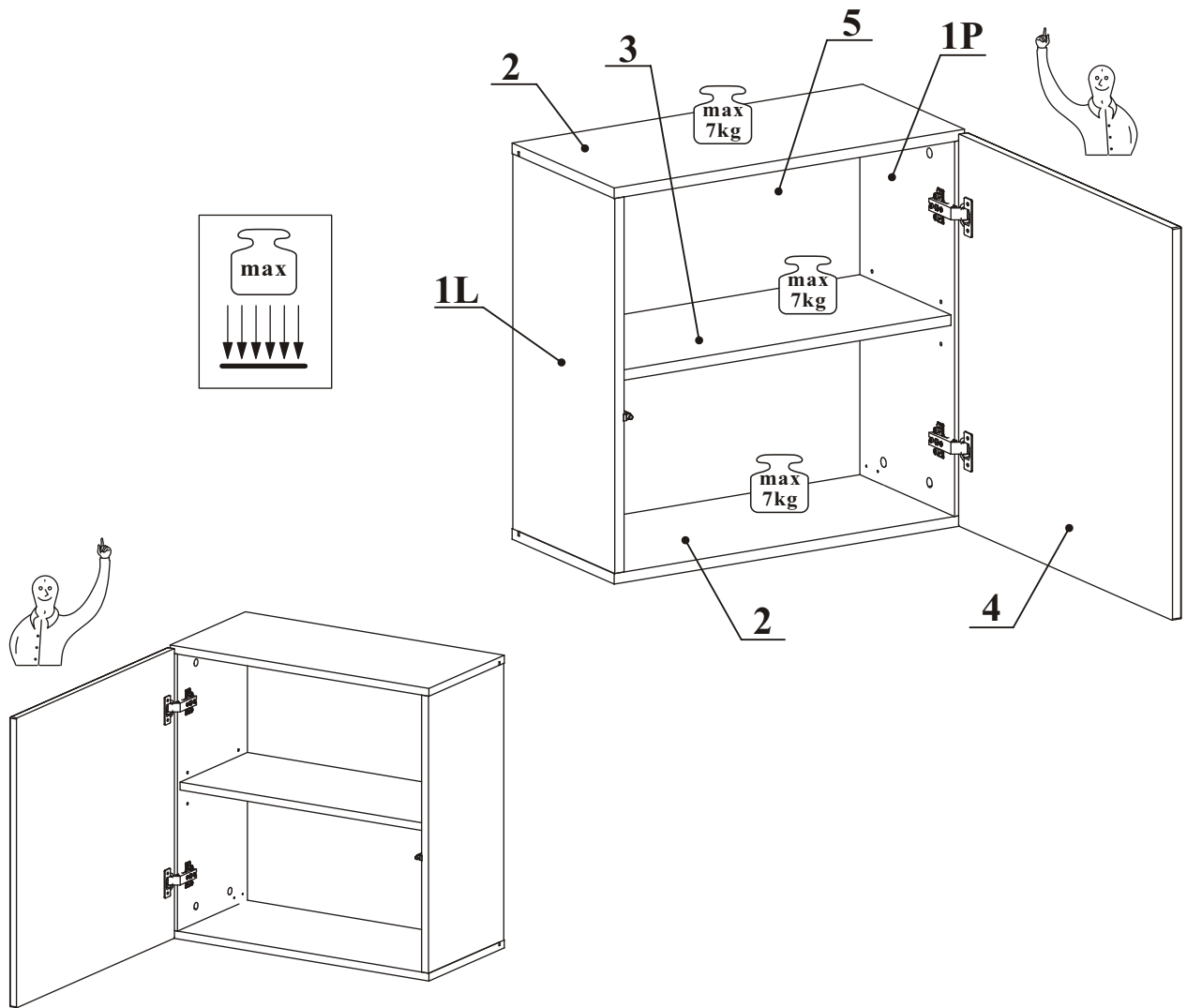
LED	
x1	



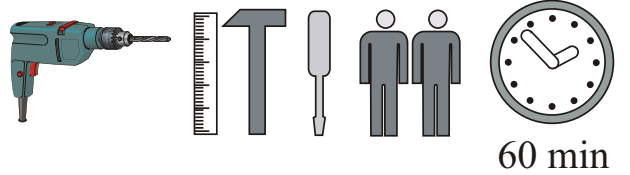
13



SWITCH SW3



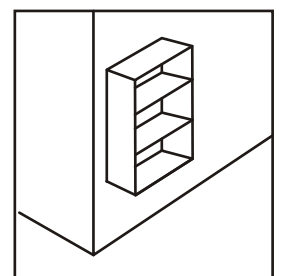
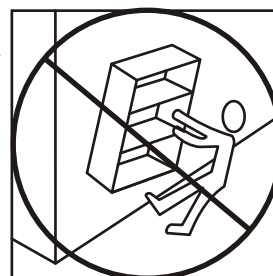
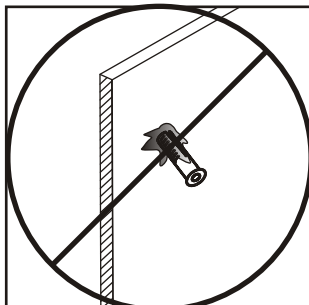
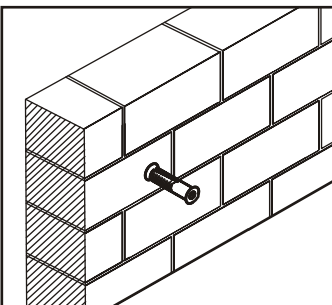
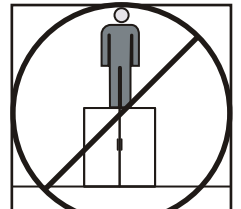
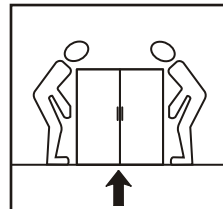
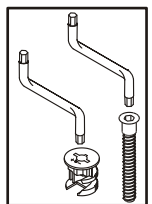
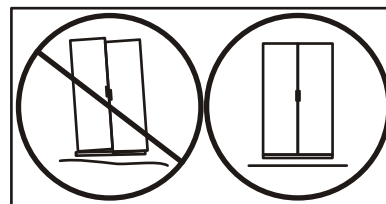
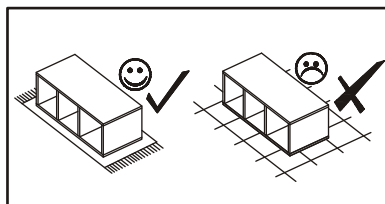
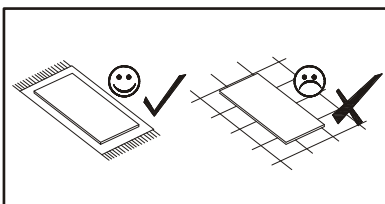
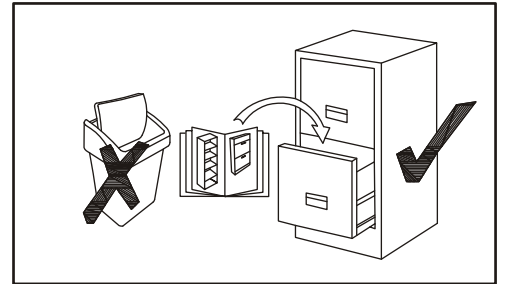
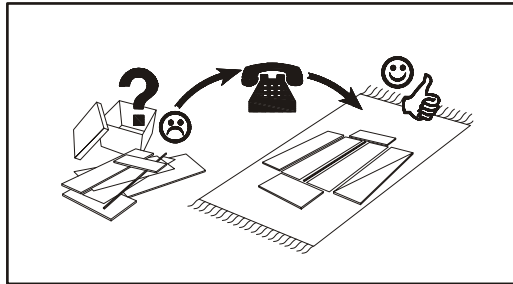
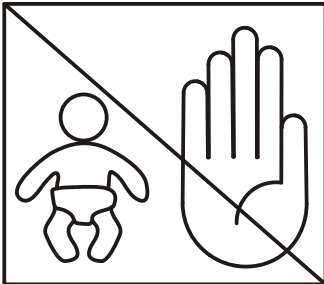
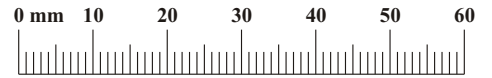
NO	Dim.		Col.-No	Qty
1 L/P	570	284	1	2
2	602	284	1	2
3	568	254	1	1
5	582	580	1	1
4	596	596	1	1



60 min

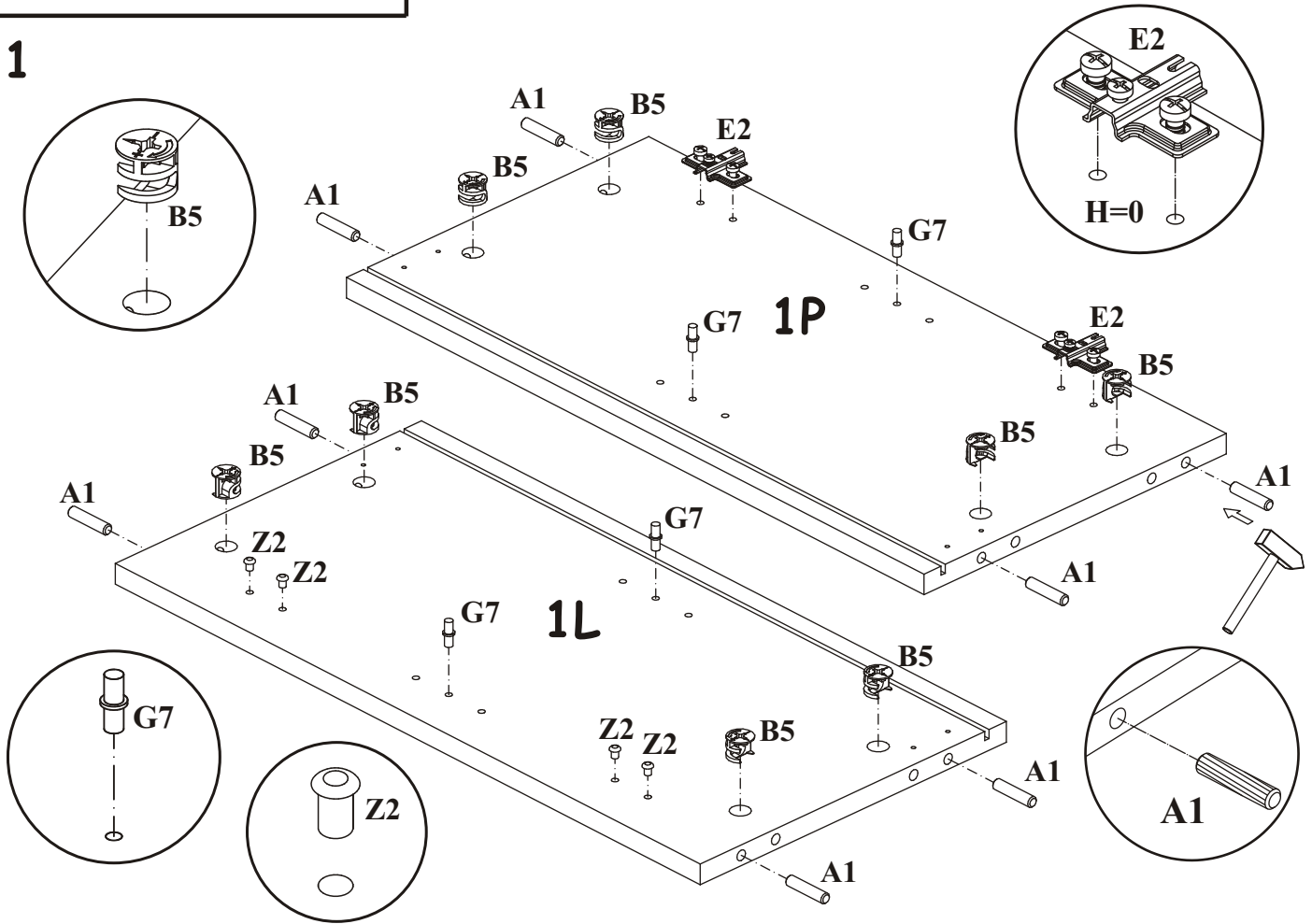
SWITCH - SW3

A1 X8 ø8x36	B4 X8	G5 X8	B5 X8 ø15x12	G7 X4	S1 X8
Z2 X4 ø5	D10 X6 USØ3,5x13	G2 X1	E1 X2 Ø26 H=0	E2 X2 H=0	ZR1 X2
D6 X4 USØ3,5x30	OD1 X1	KR2 X2			

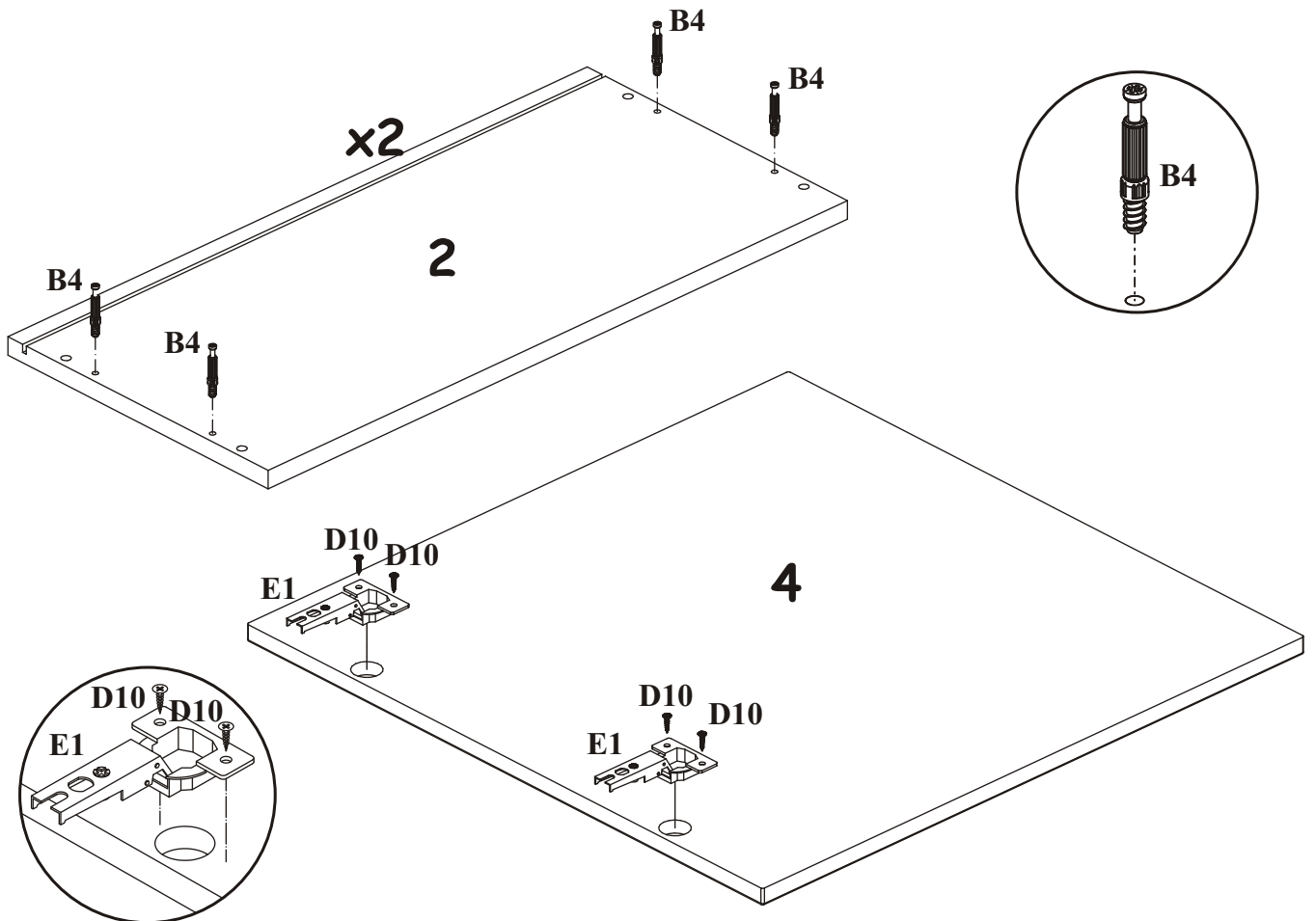


SWITCH - SW3

1

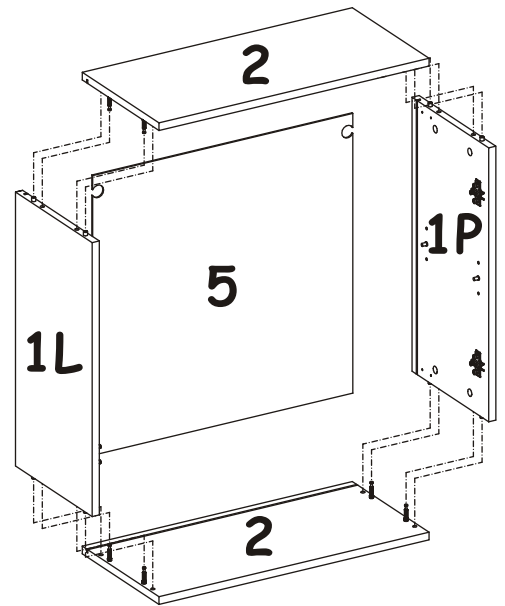
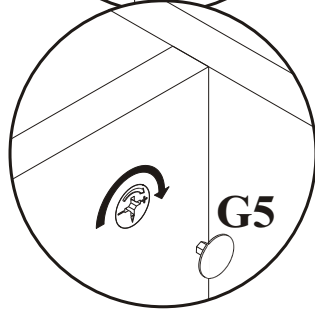
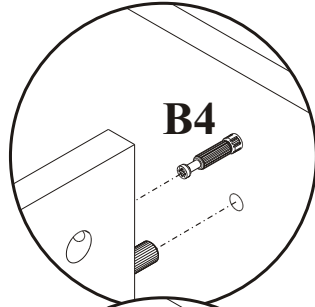
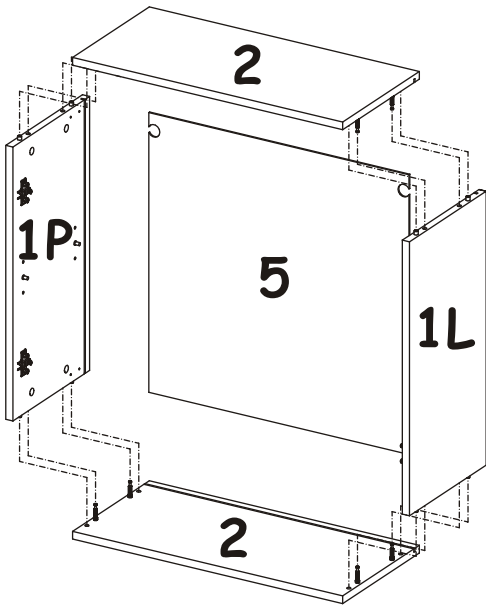
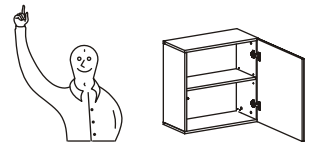
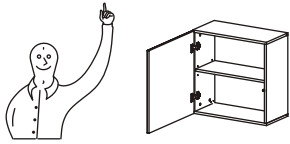


2

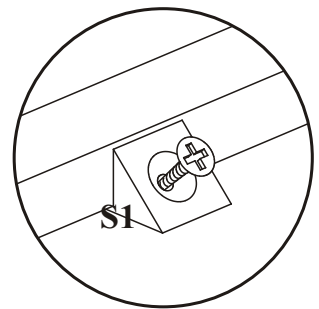
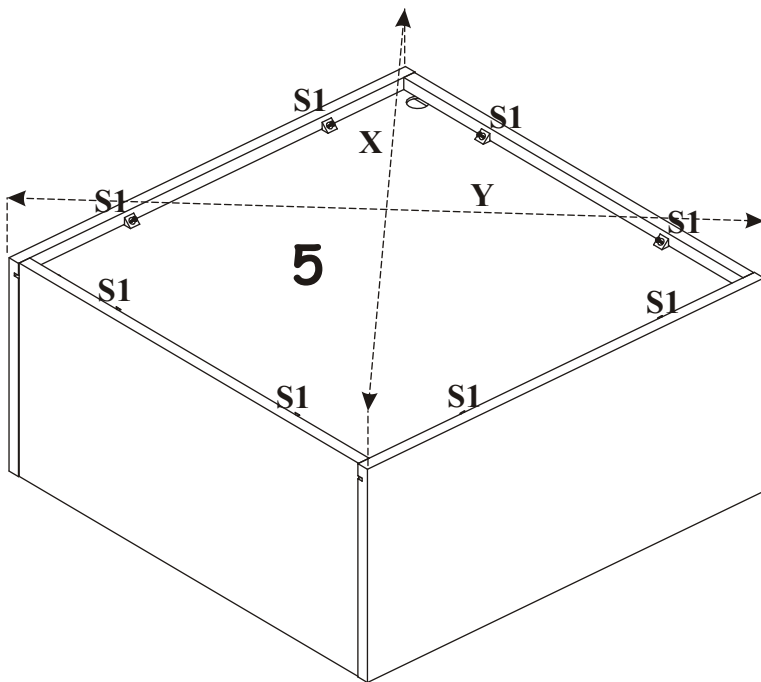


SWITCH - SW3

3



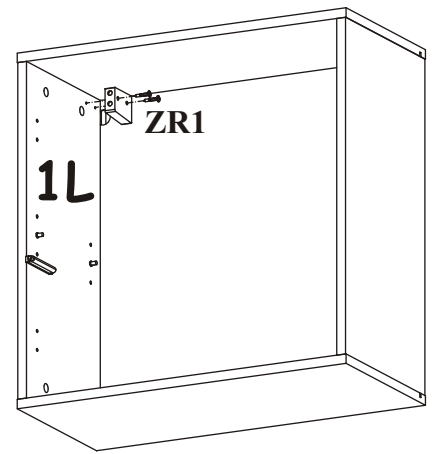
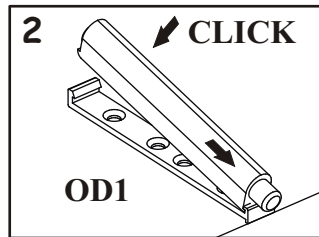
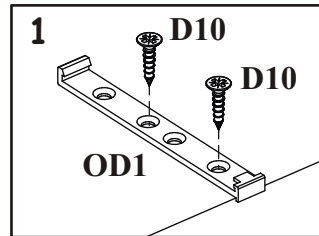
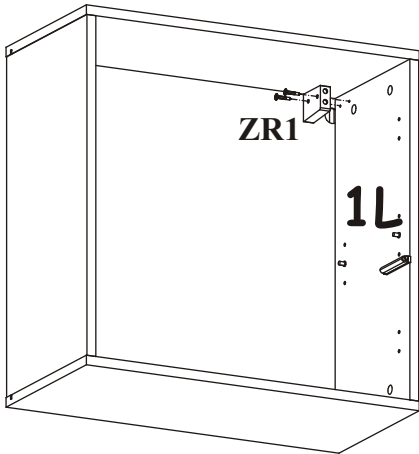
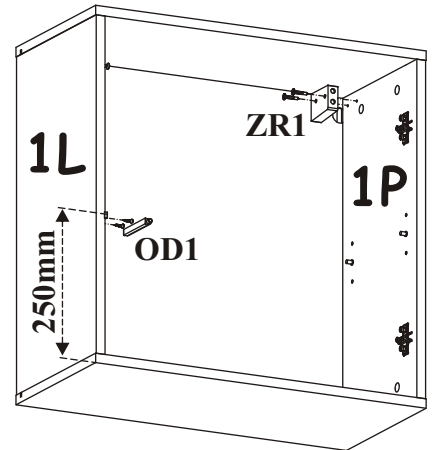
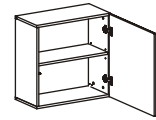
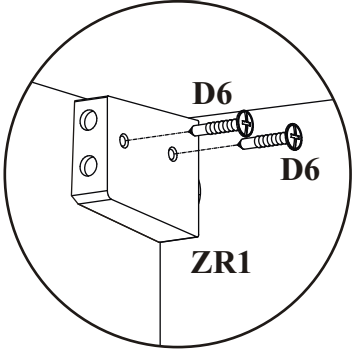
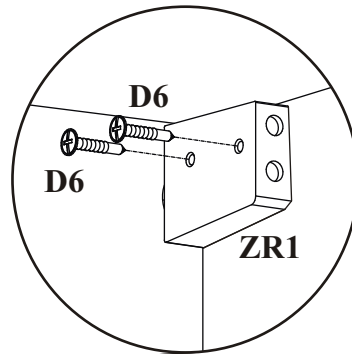
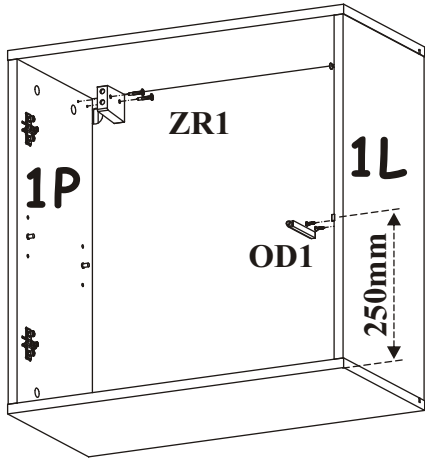
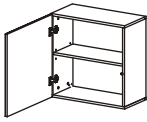
4



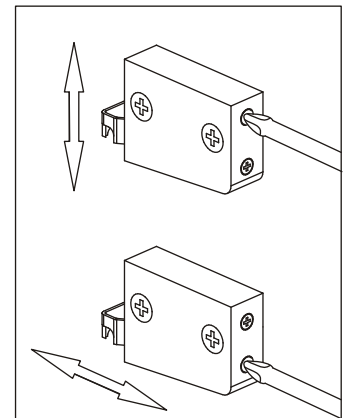
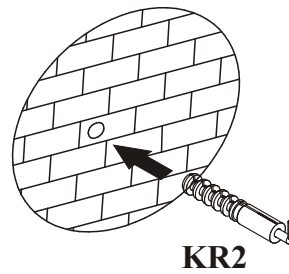
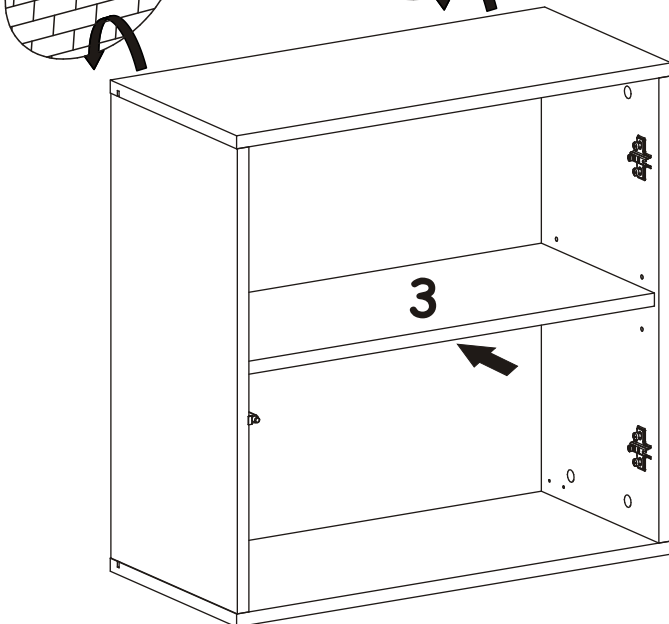
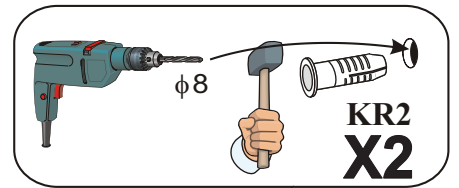
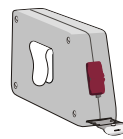
$X=Y$ 90°

SWITCH - SW3

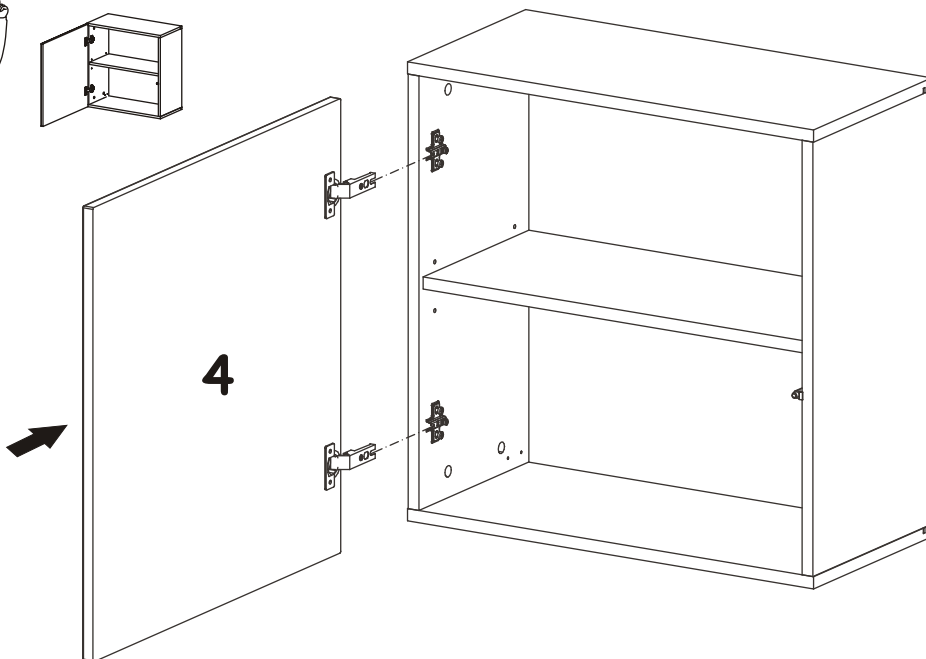
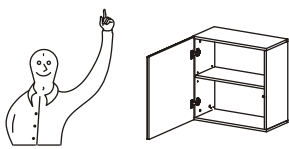
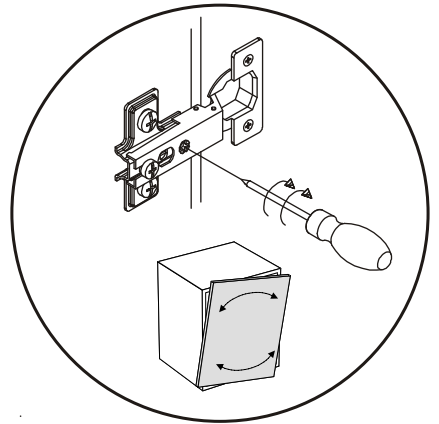
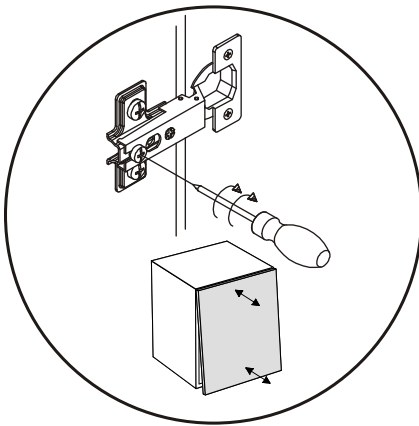
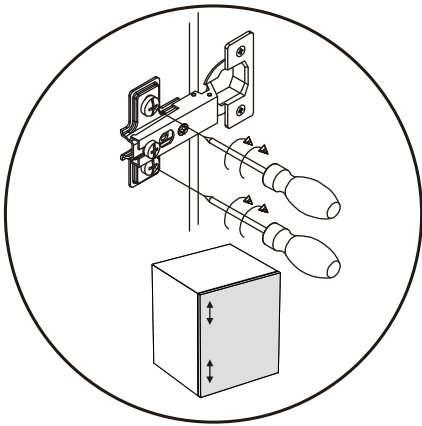
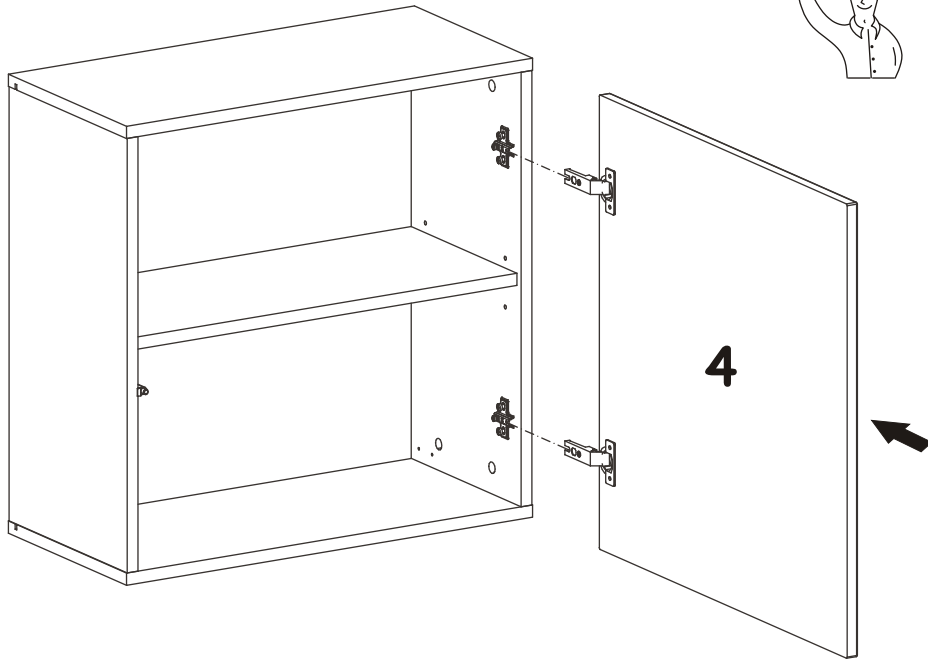
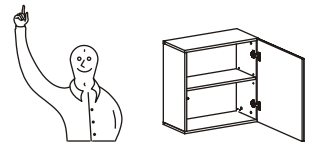
5



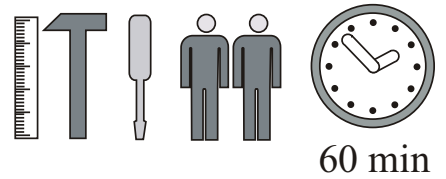
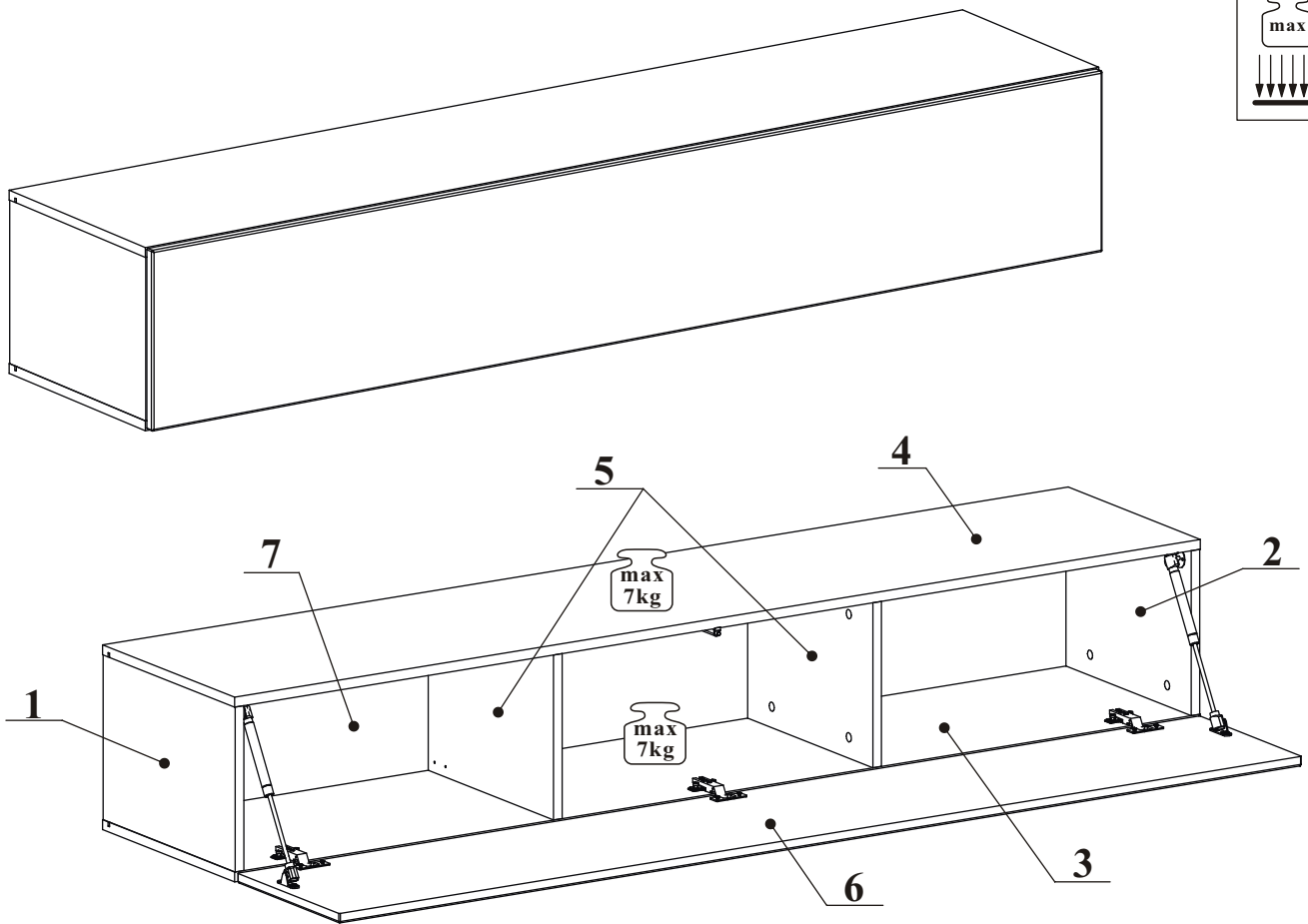
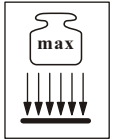
6



7



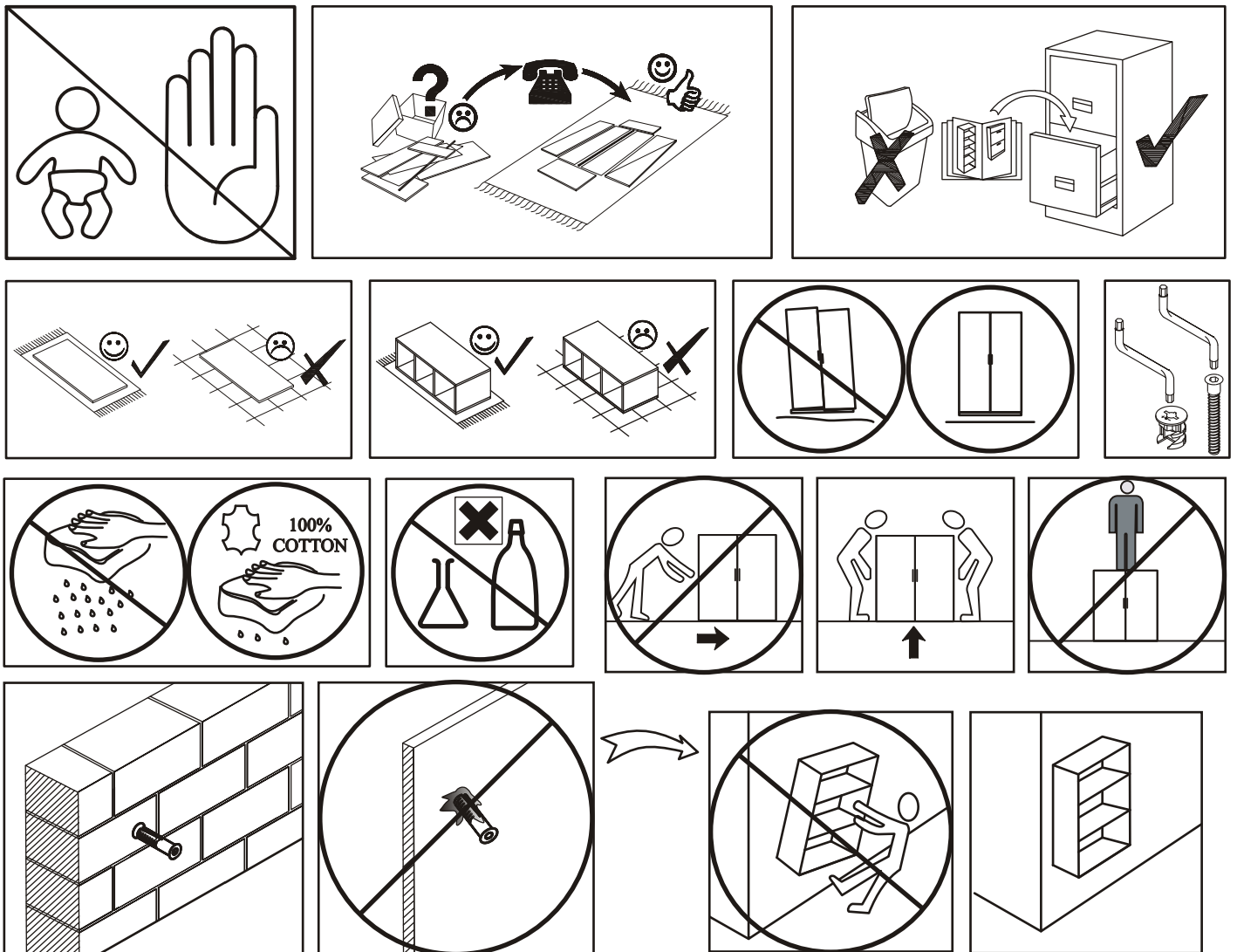
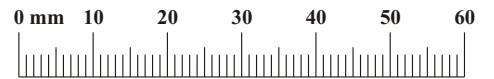
SWITCH RTV 1



NO	Dim.		Col.-No	Qty
1	268	384	1	1
2	268	384	1	1
3	1802	384	1	1
4	1802	384	1	1
5	268	364	1	2
7	1780	280	1	1
6	1796	296	1	1

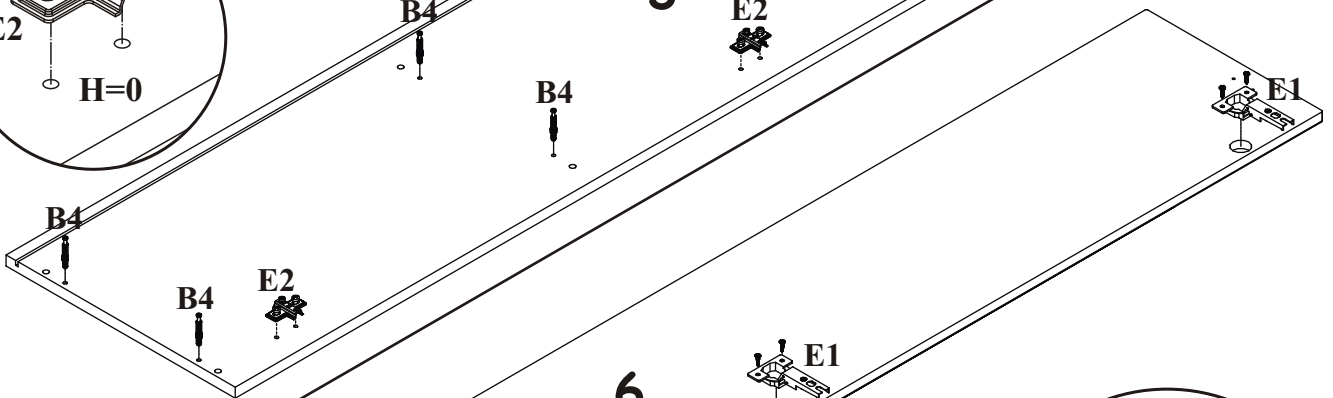
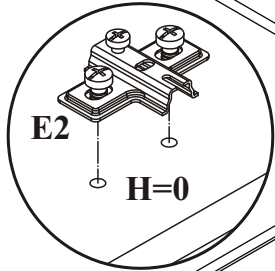
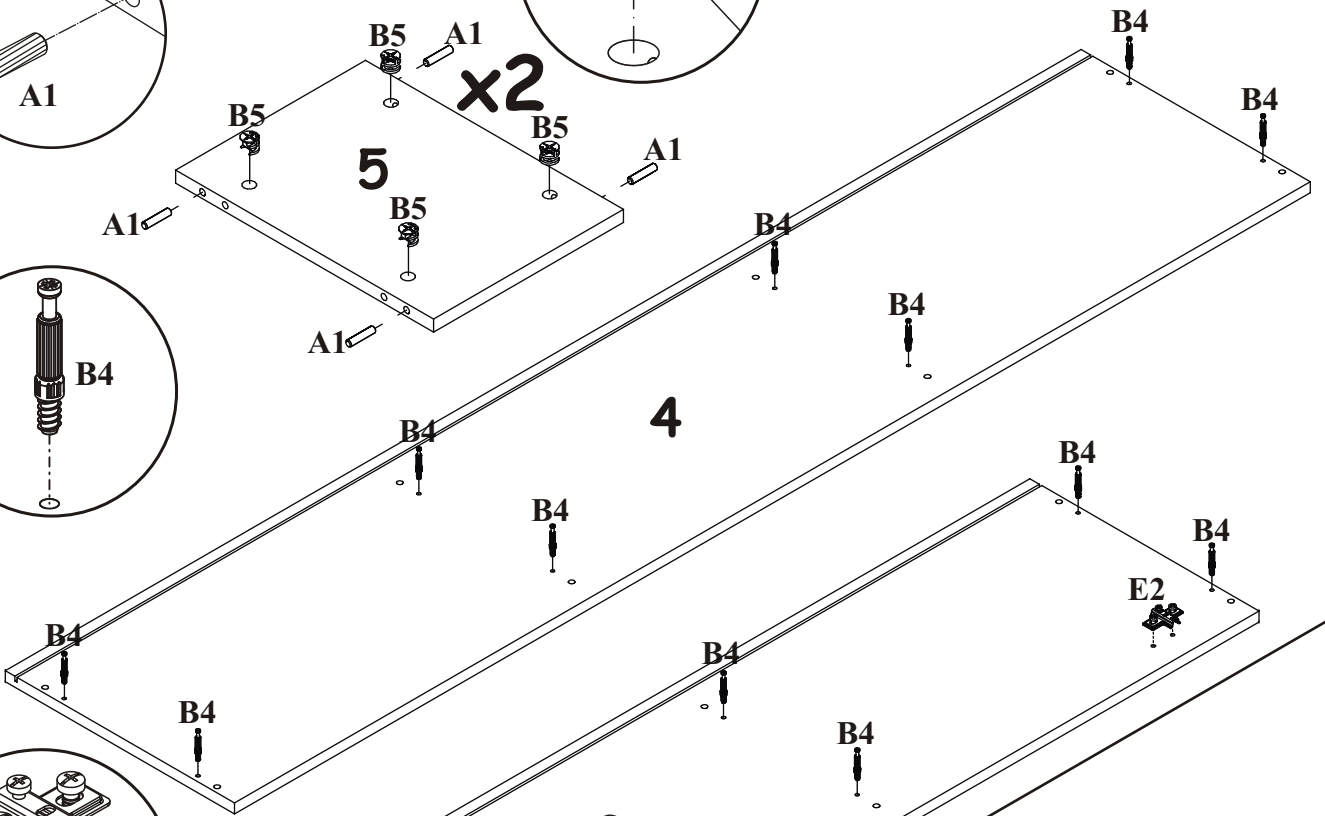
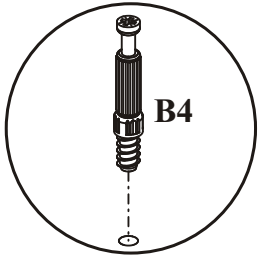
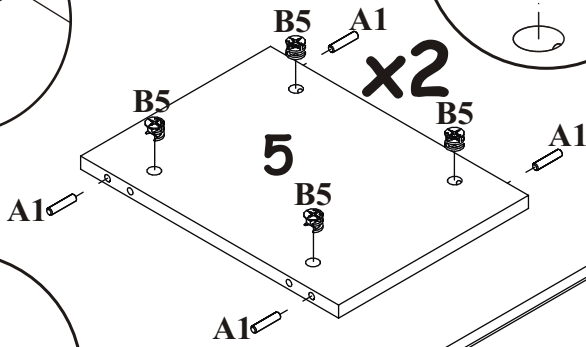
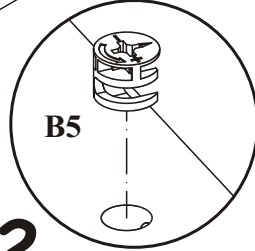
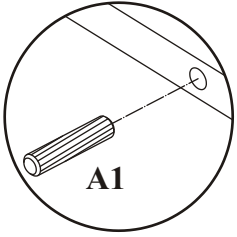
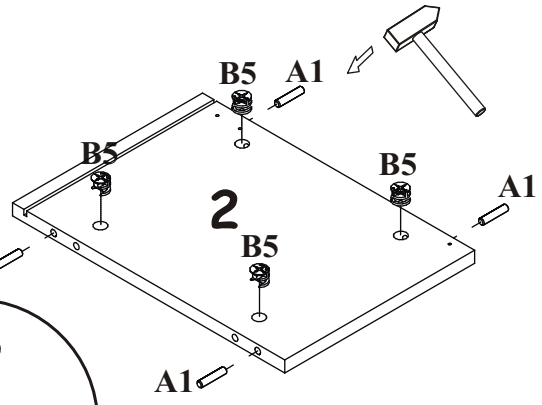
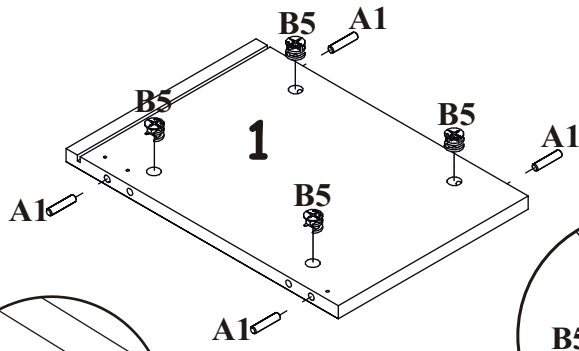
SWITCH RTV 1

A1 X16 ø8x36	B4 X16	G5 X16	B5 X16 ø15x12	ZR1 X4	D6 X8 USØ3,5x30
E1 X3 Ø26 H=0	E2 X3 H=0	D10 X12 USØ3,5x13	OD1 X1	S1 X12	BP1 X2
KR2 X4	G2 X1				

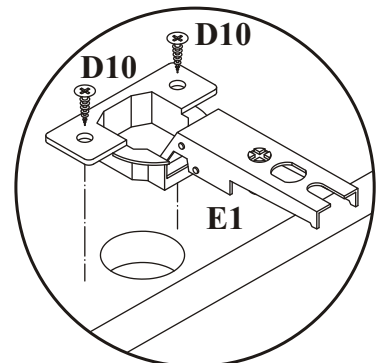
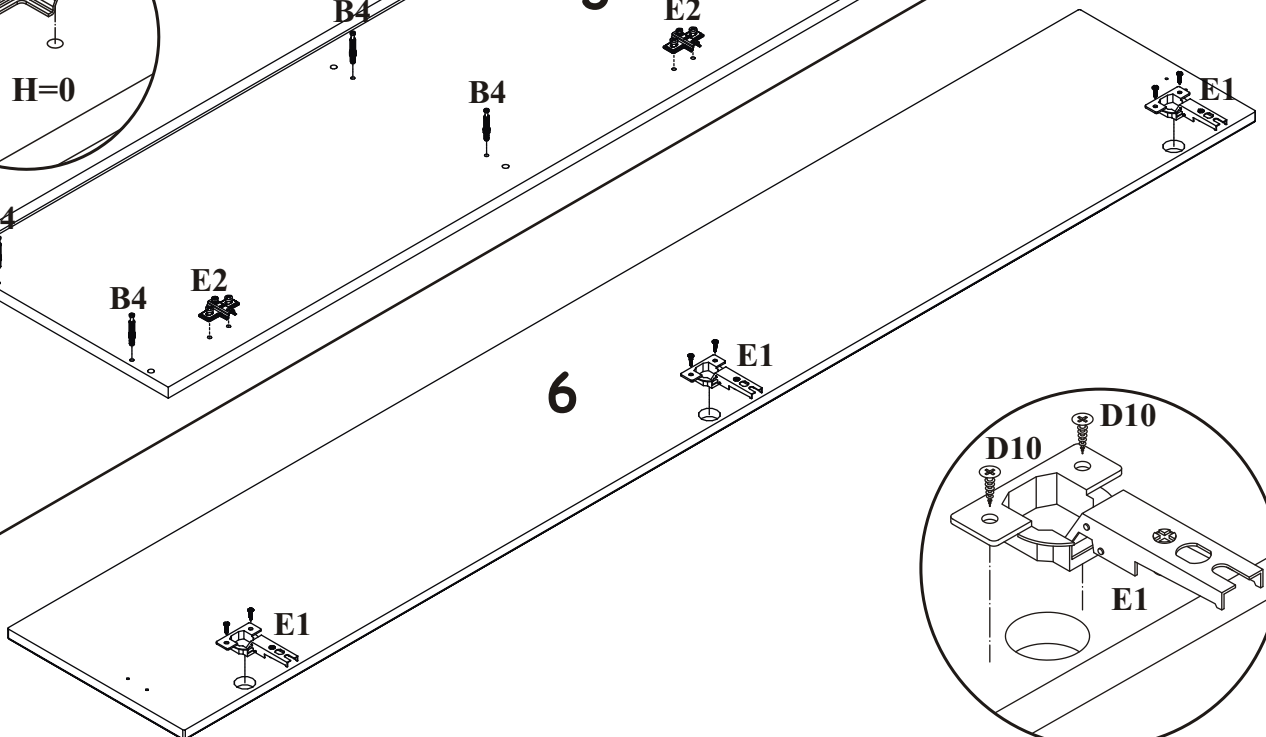


SWITCH RTV 1

1

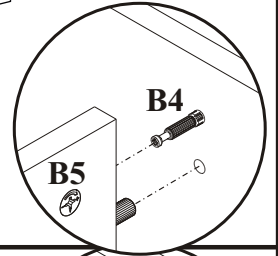
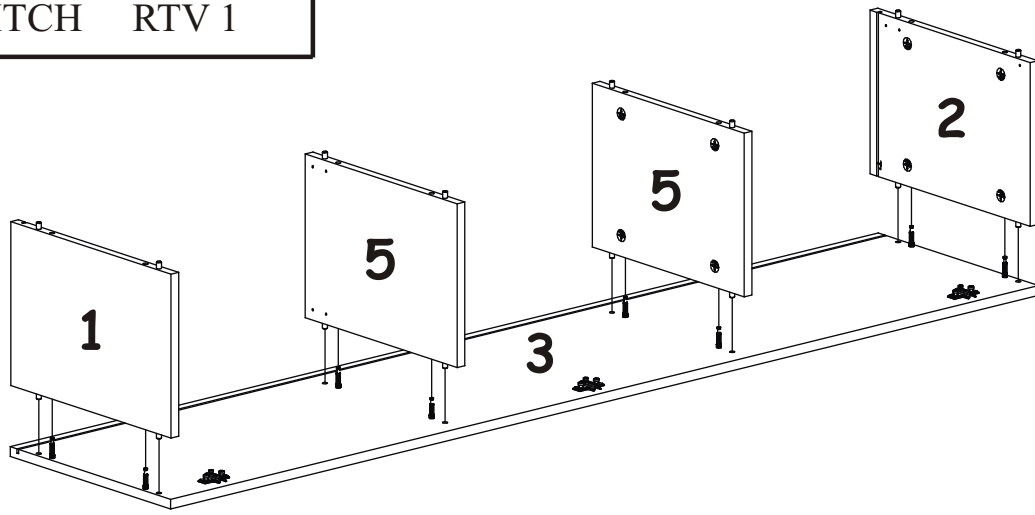


2

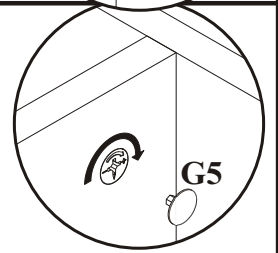
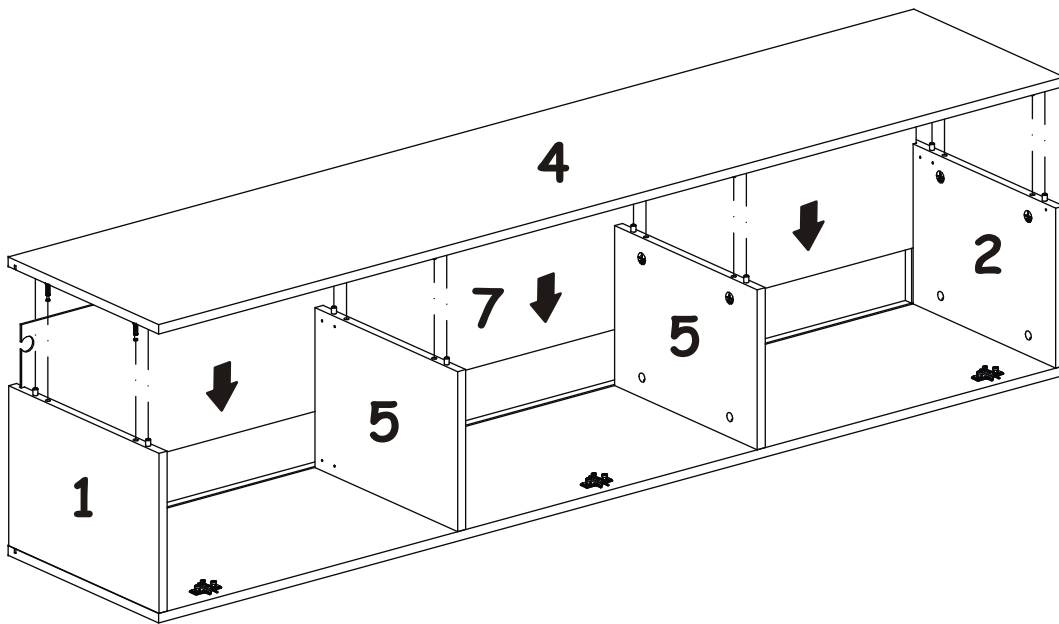


SWITCH RTV 1

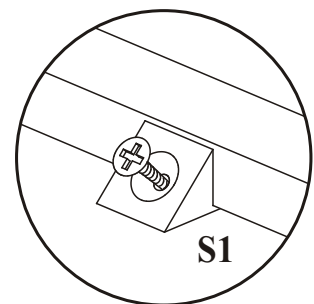
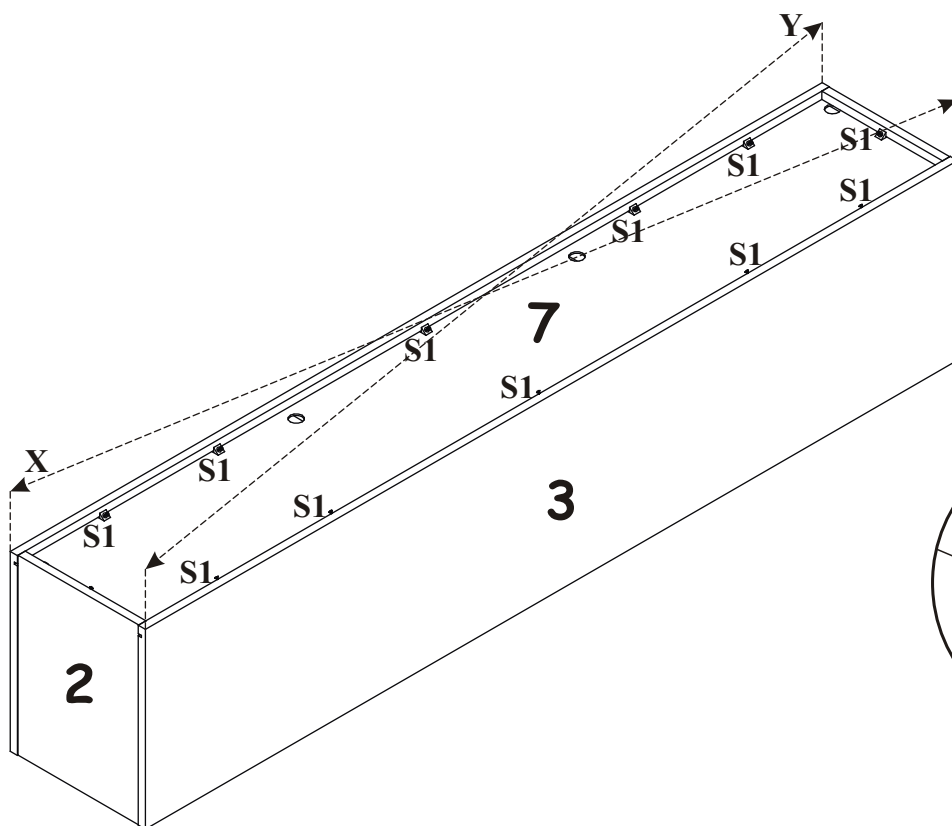
3



4

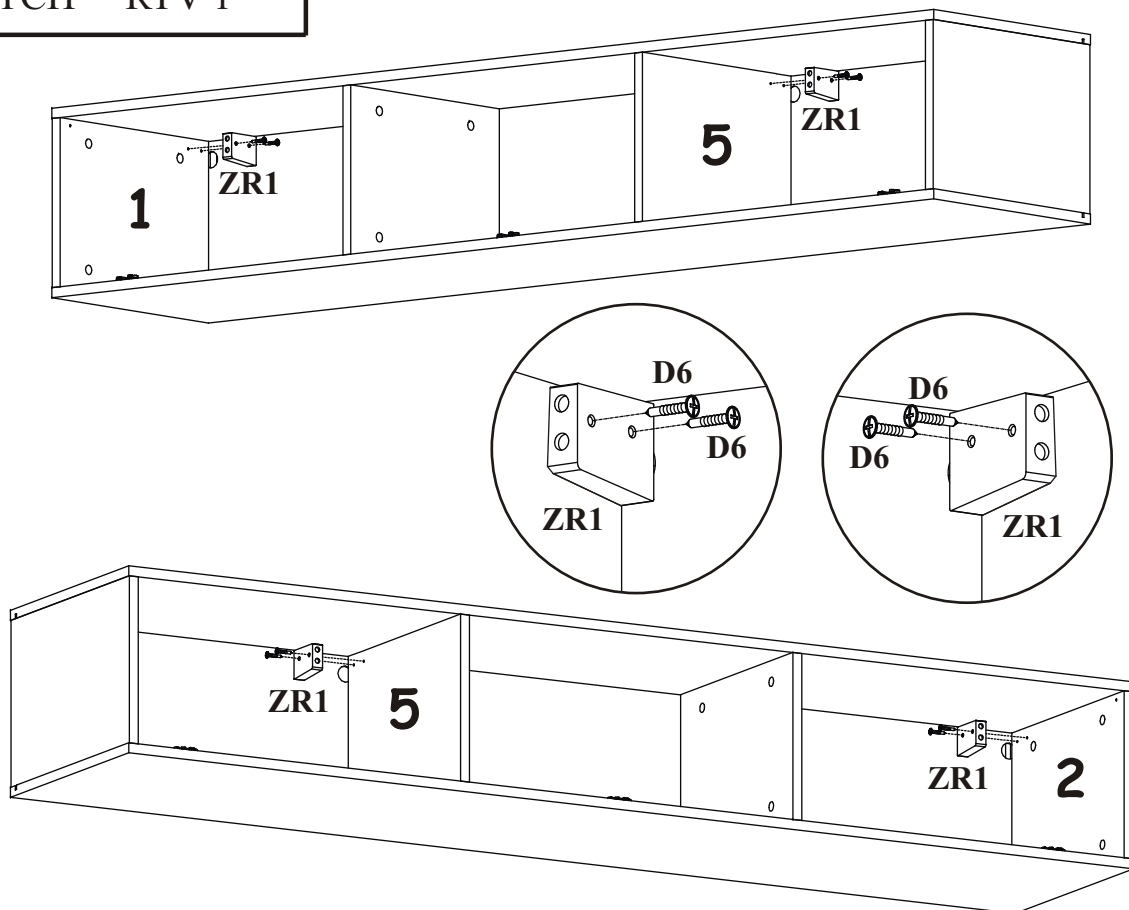


5

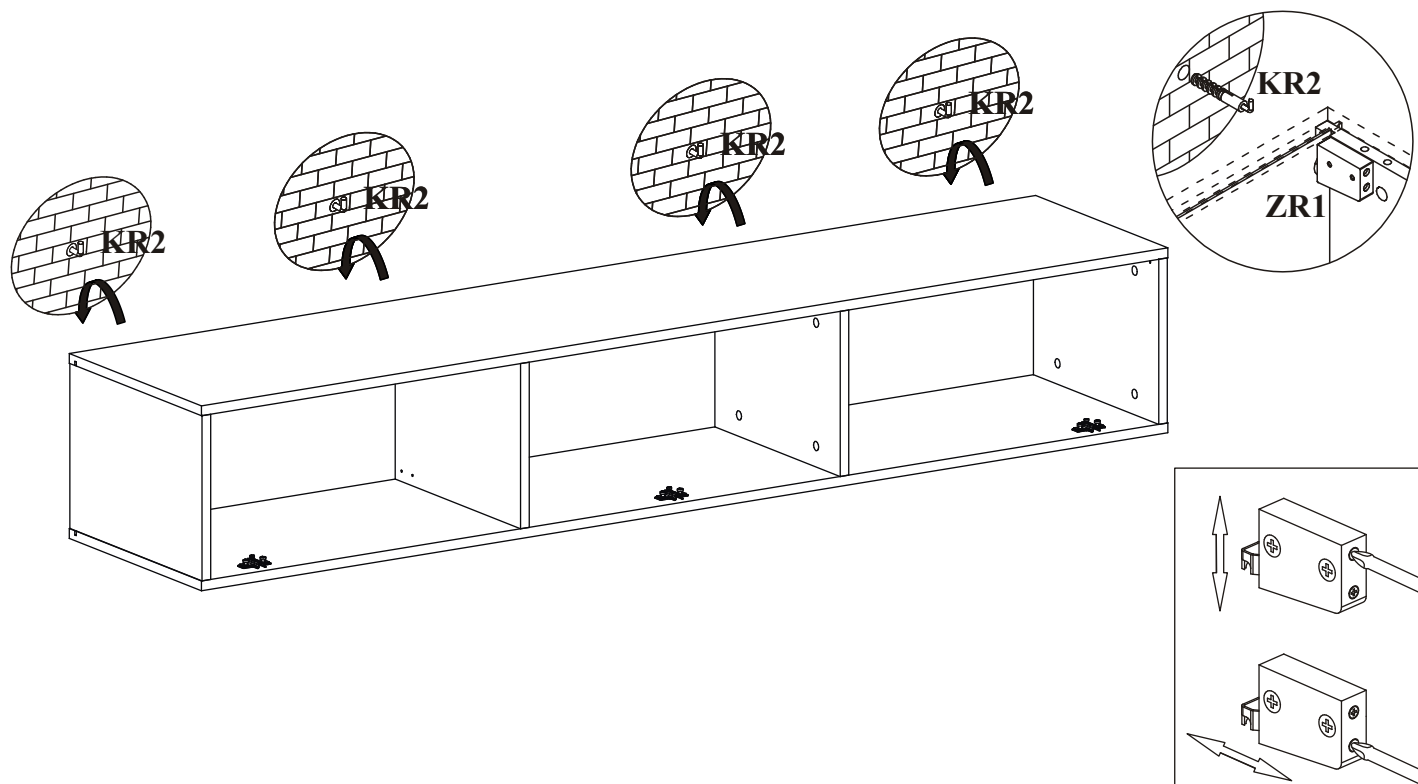


SWITCH RTV 1

6

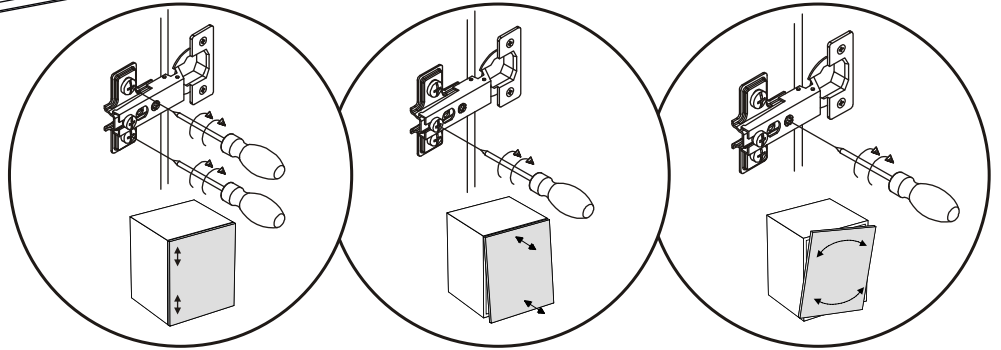
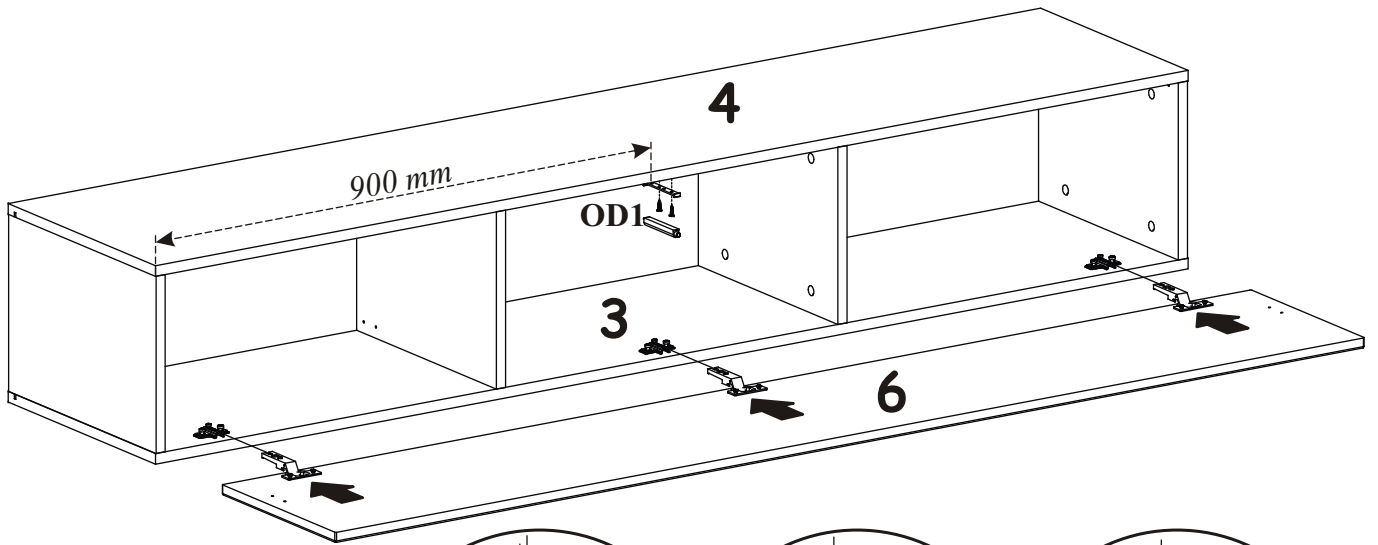
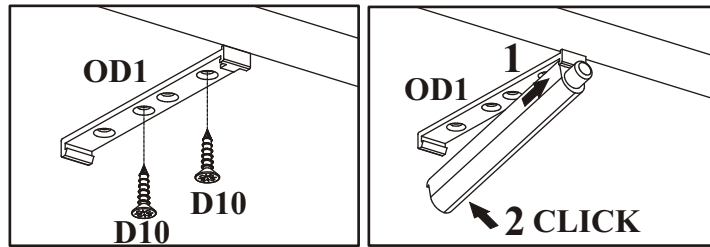


7

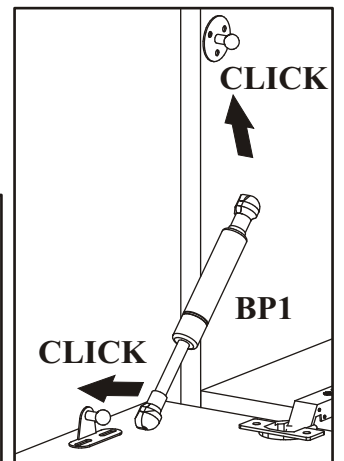
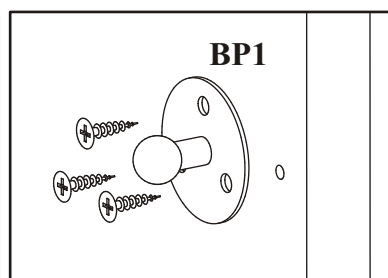
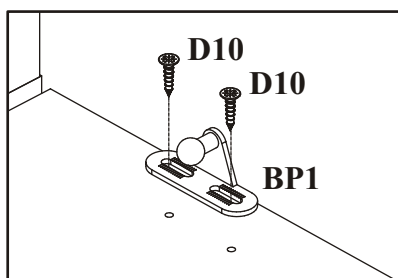
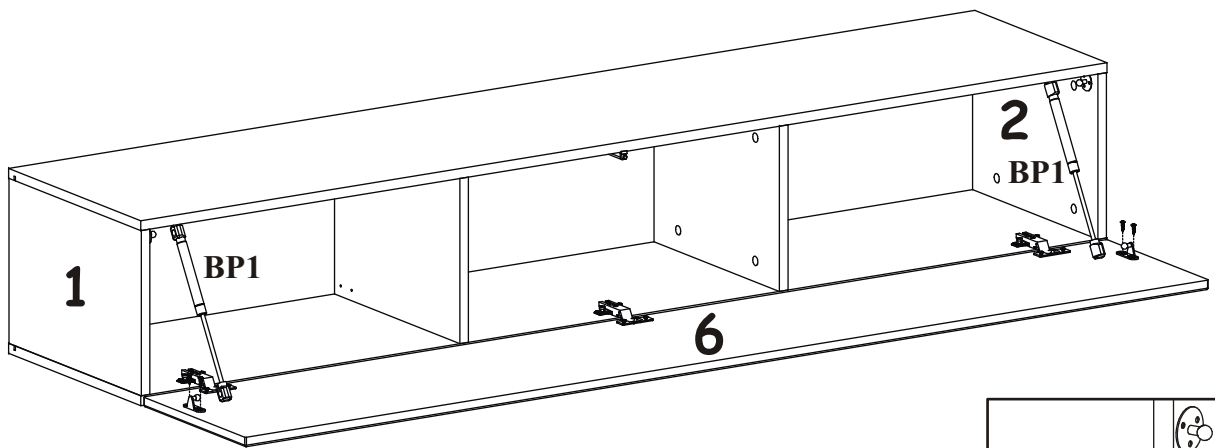


SWITCH RTV 1

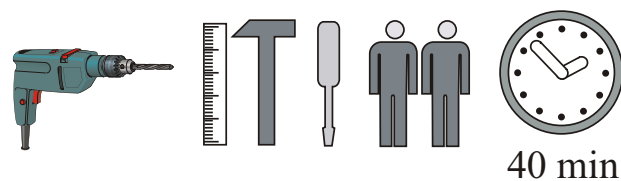
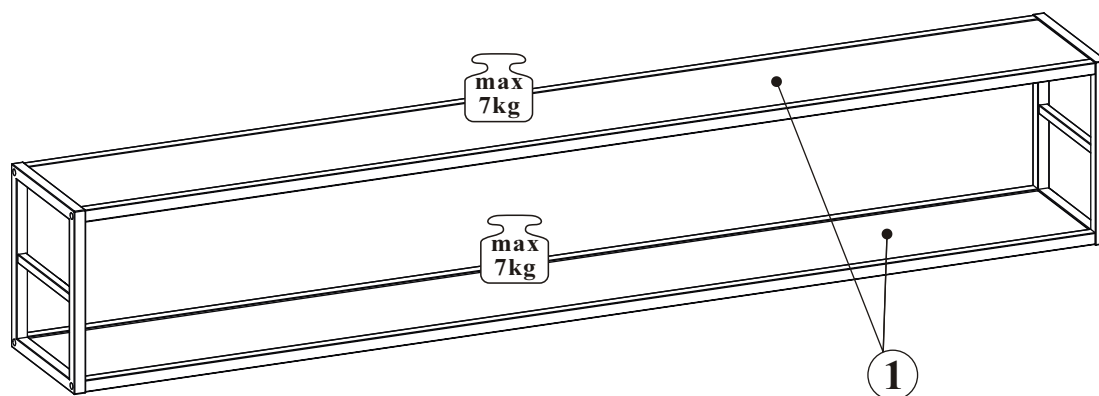
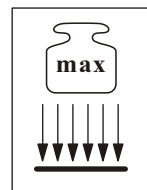
8



9


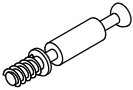


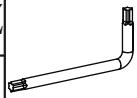
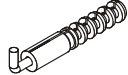




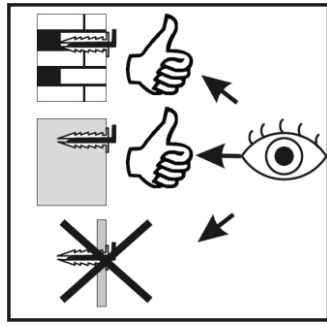
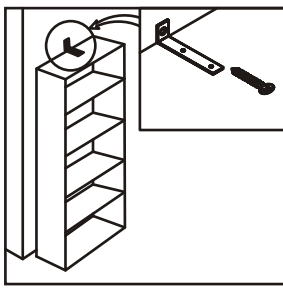
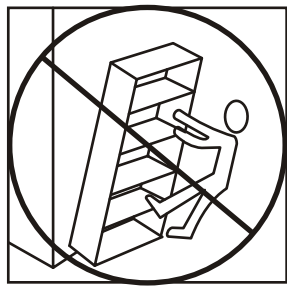
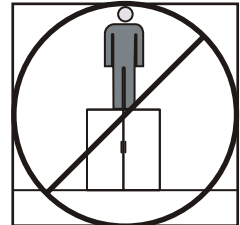
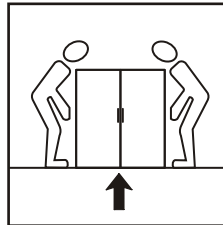
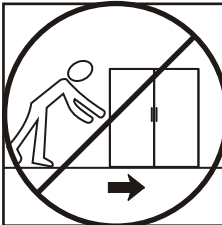
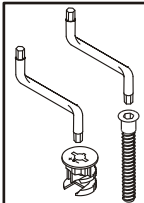
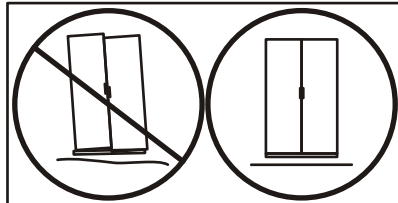
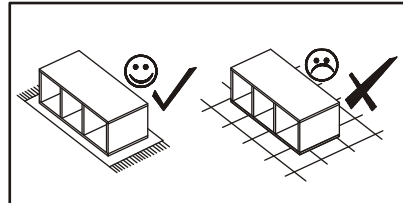
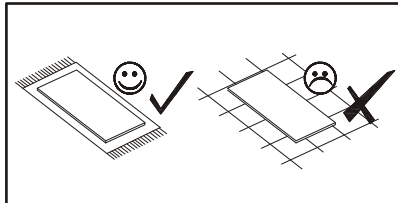
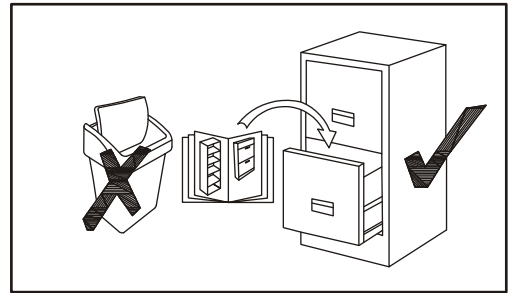
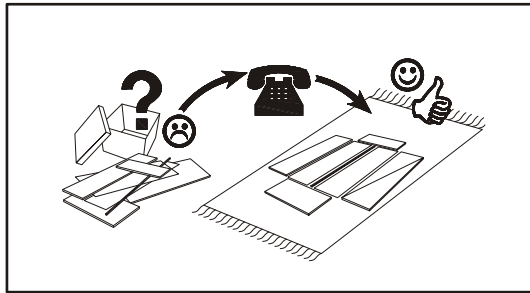
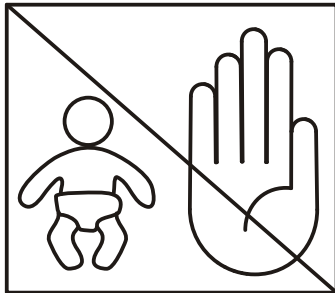
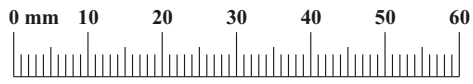
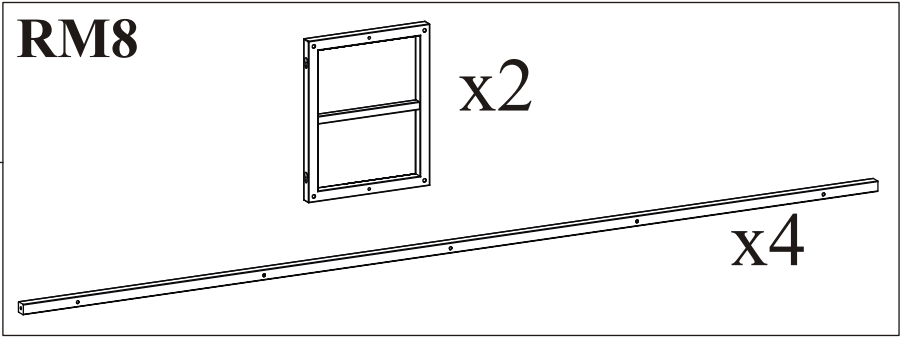
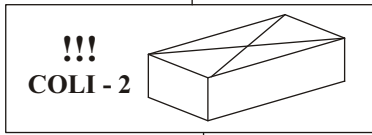
SWITCH 27_SW RM8



NO	Dim.			Col.-No	Qty
1	1760	208	16	1	2

SWITCH 27__SW RM8

B5 x24	 Ø15x12	B20 x24		G5 x24		G2 x1		GSZ x1		KR3 x4	 Ø10
D60 x8	 M6x30	G12 x8	 Ø14								



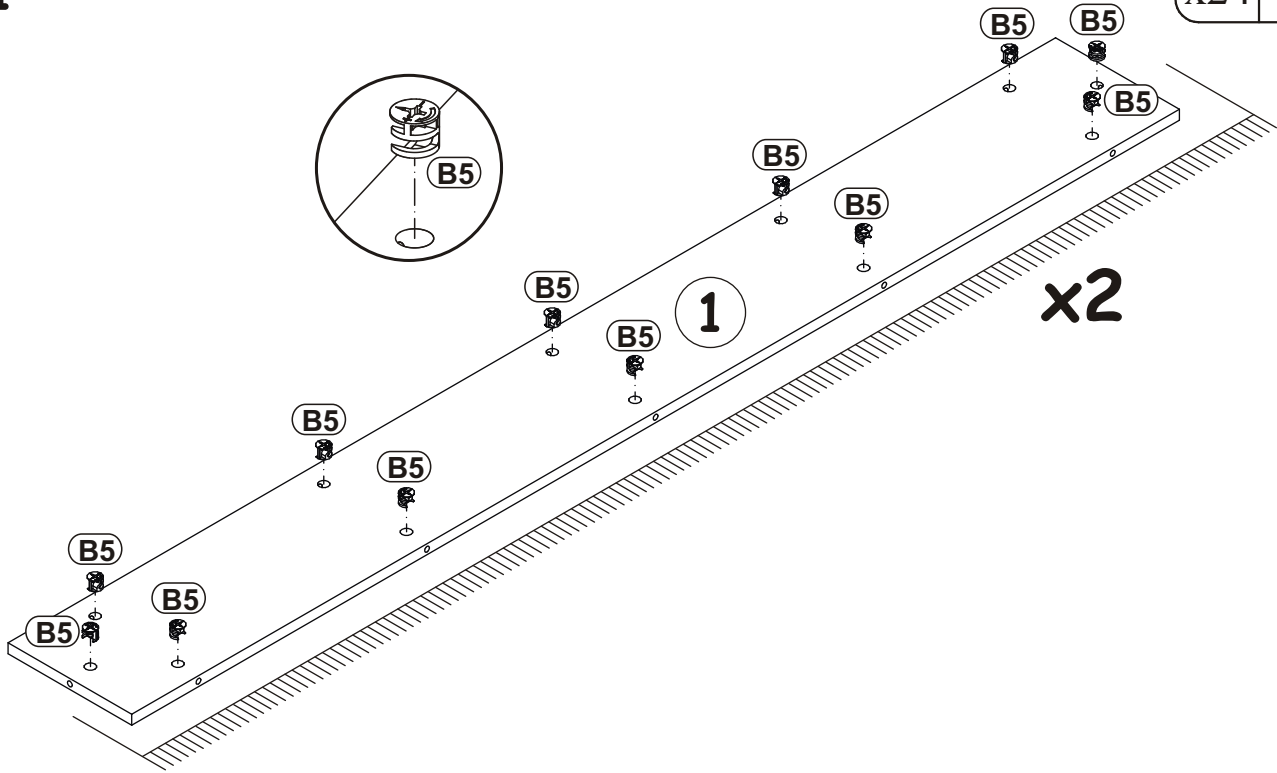
SWITCH 27__SW RM8

B5

x24



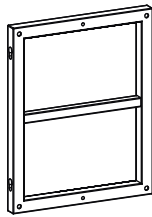
1



2

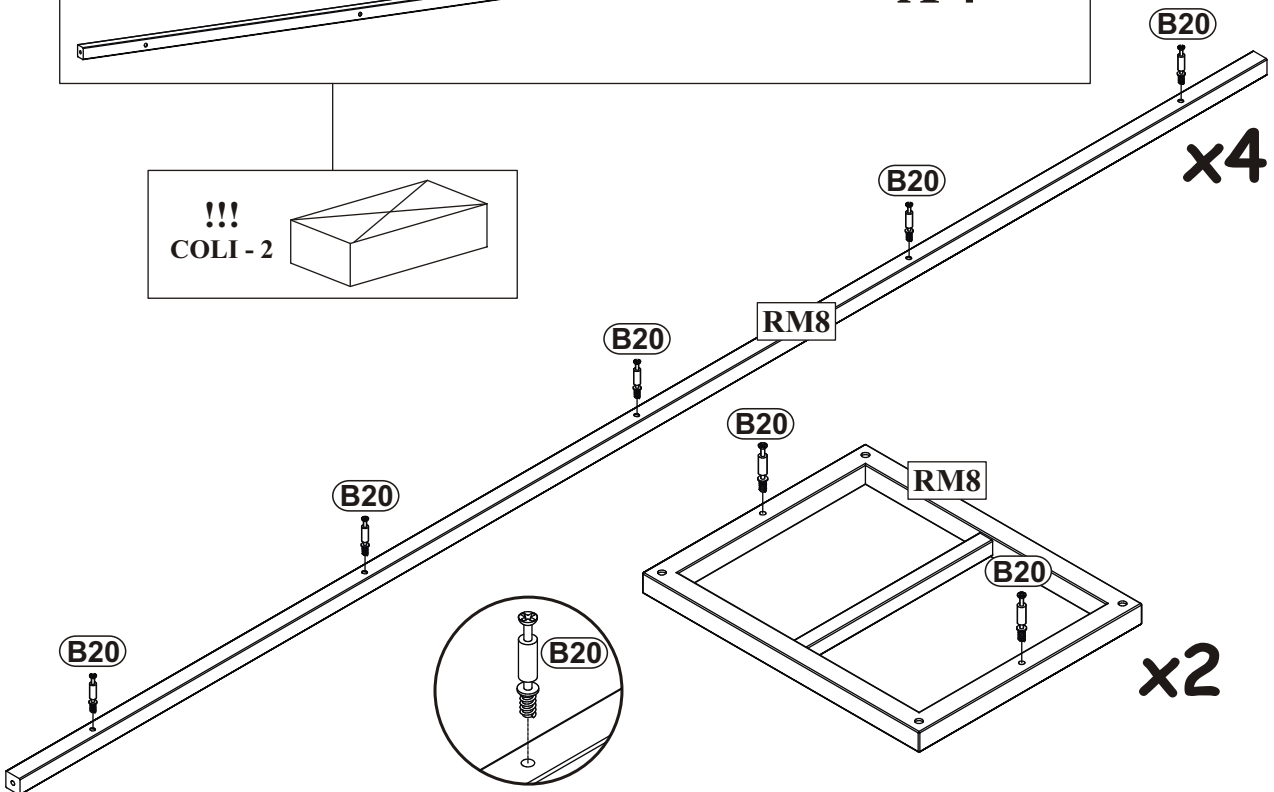
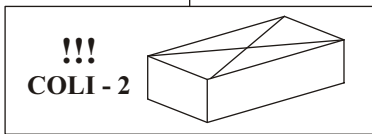
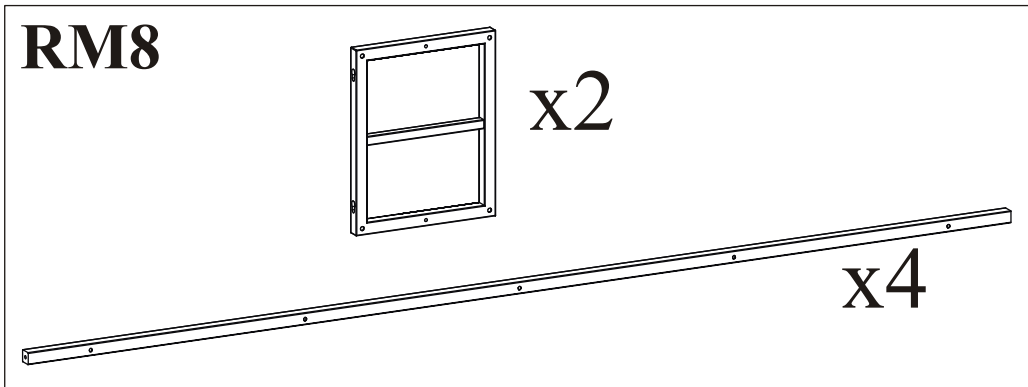
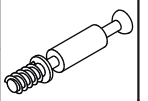
RM8

x2



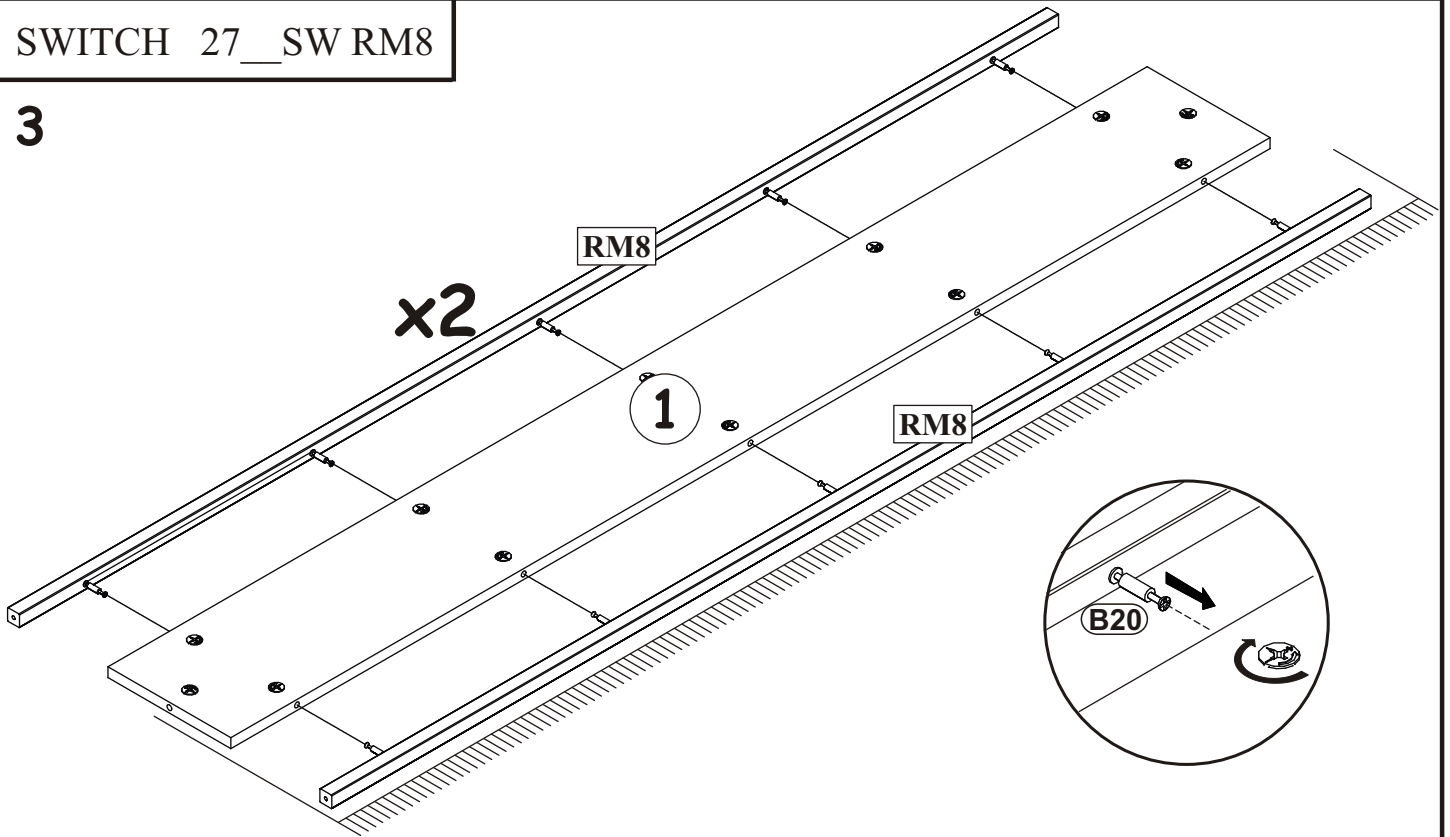
B20

x24

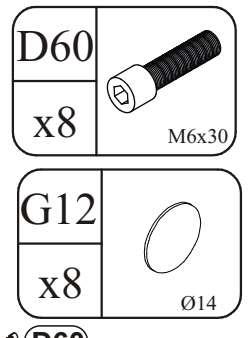
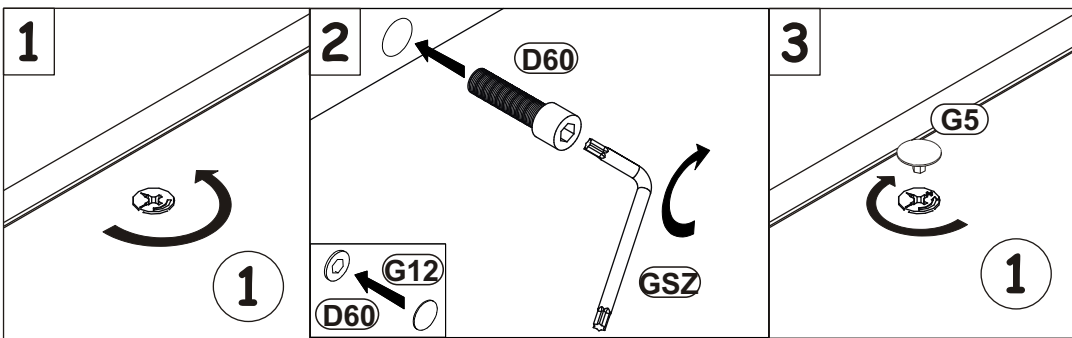


SWITCH 27_SW RM8

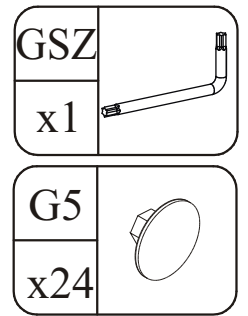
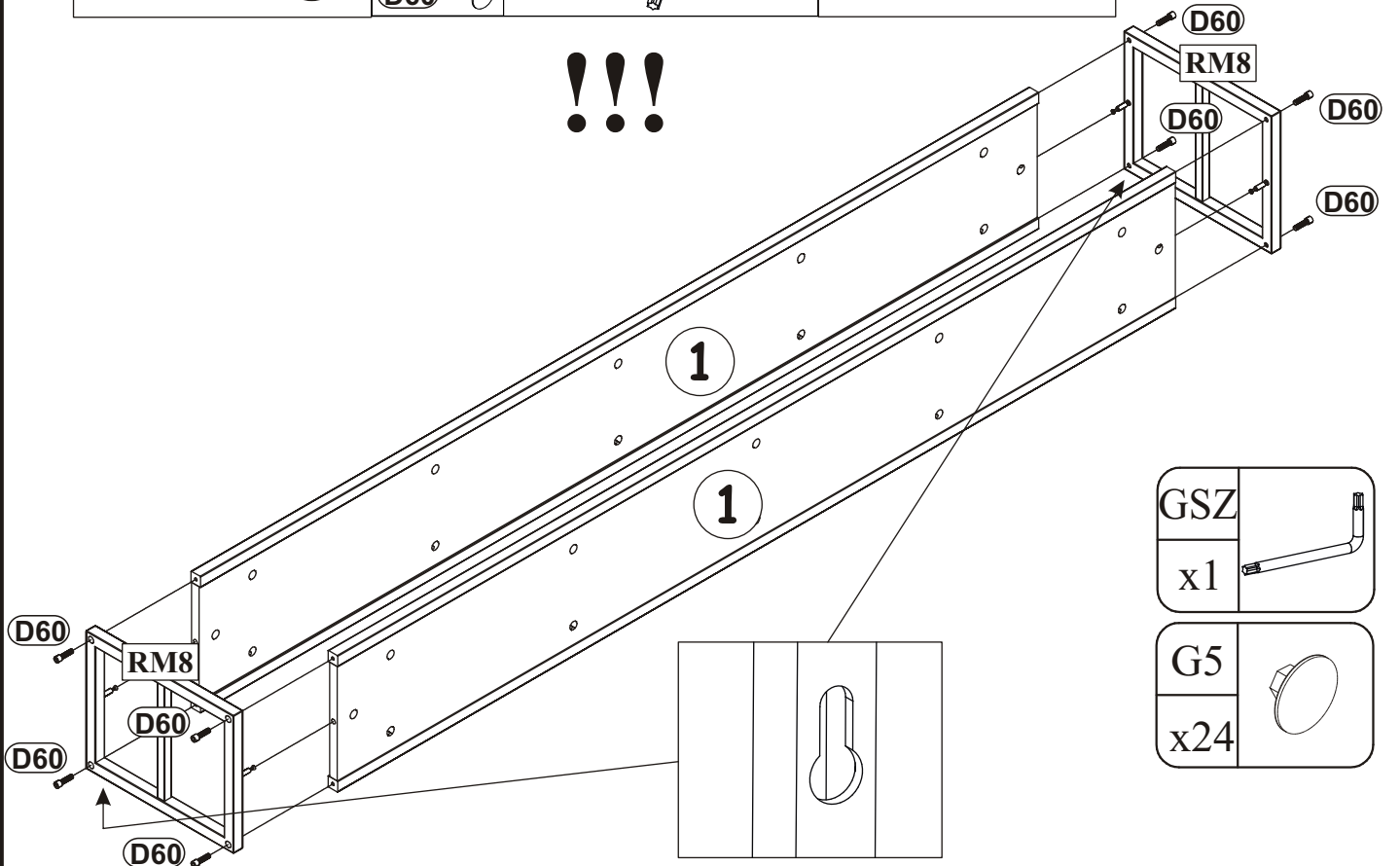
3

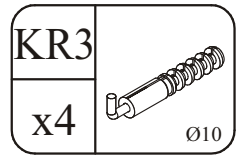


4



!!!





5

