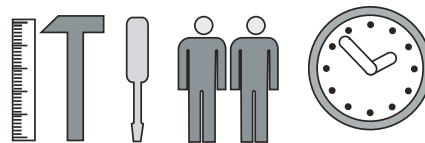
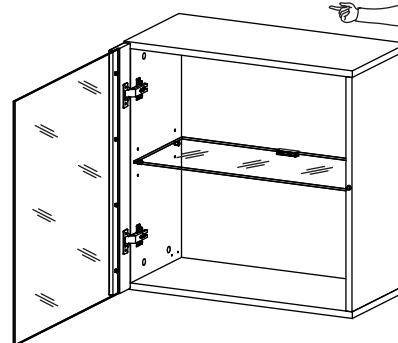
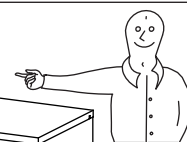
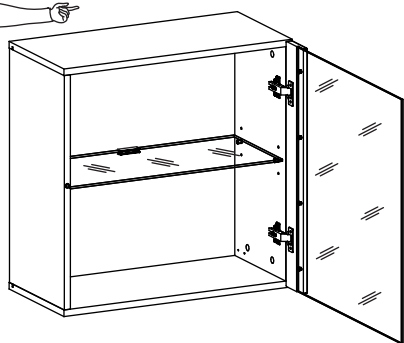
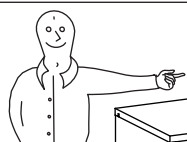
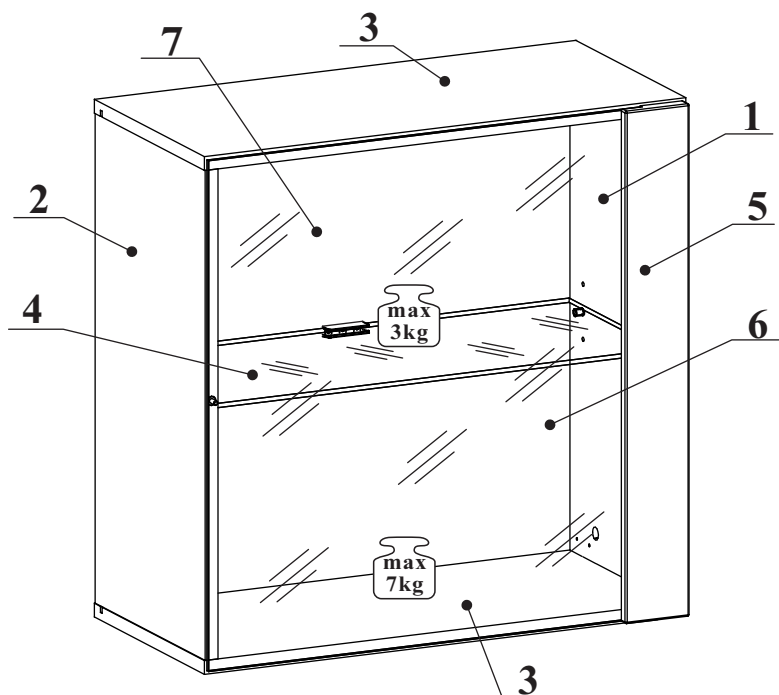


SWITCH WW 3

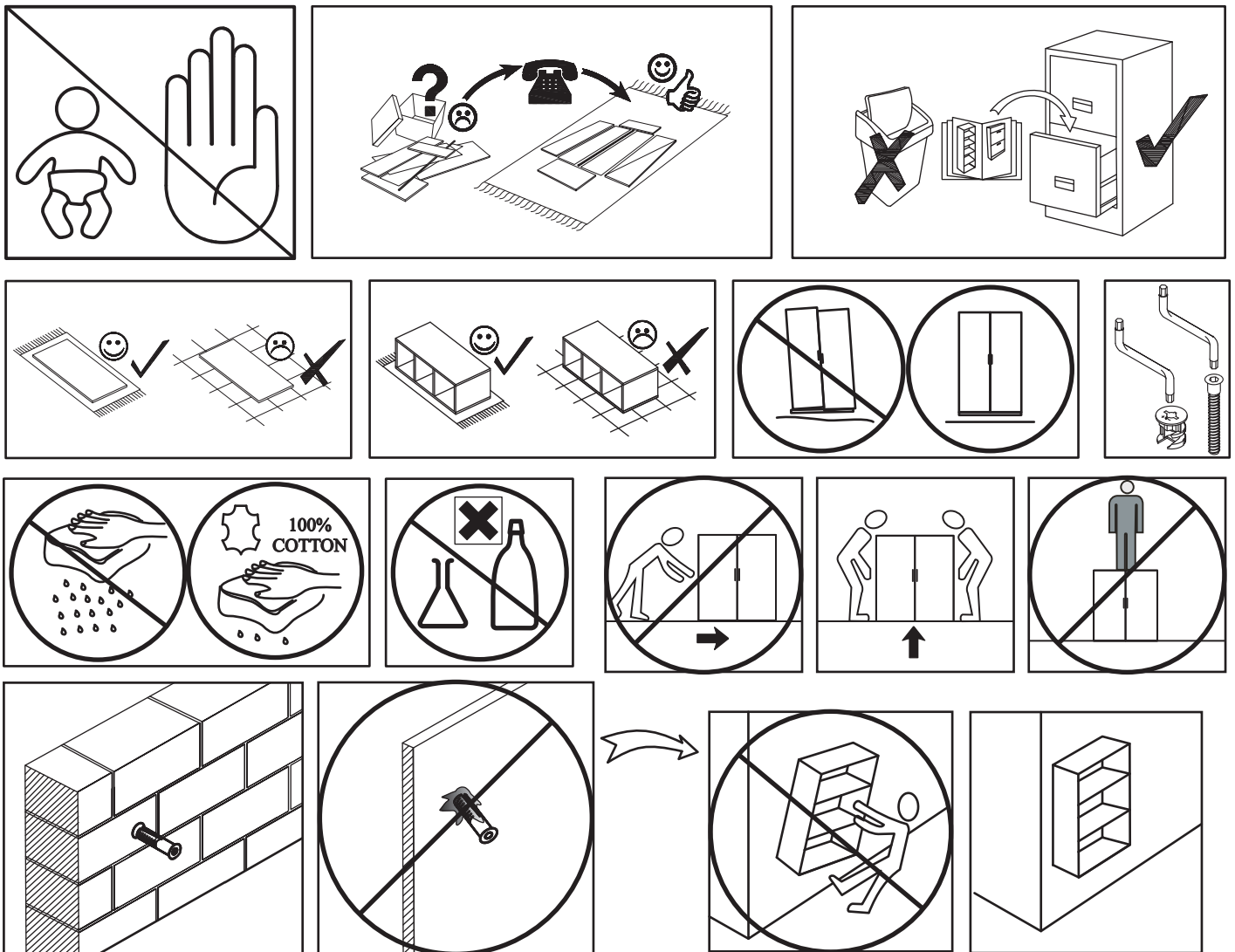
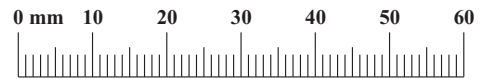


60 min

| NO | Dim. | | Col.-No | Qty |
|----|------|-----|---------|-----|
| 1 | 570 | 284 | 1 | 1 |
| 2 | 570 | 284 | 1 | 1 |
| 3 | 602 | 284 | 1 | 2 |
| 4 | 566 | 249 | 1 | 1 |
| 5 | 80 | 596 | 1 | 1 |
| 6 | 594 | 541 | 1 | 1 |
| 7 | 582 | 580 | 1 | 1 |

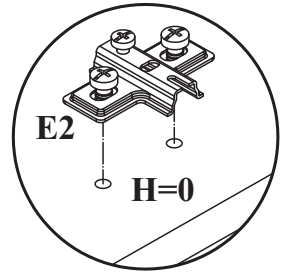
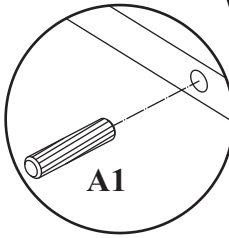
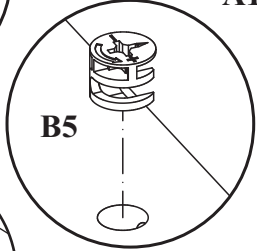
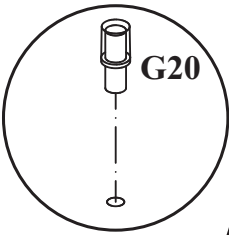
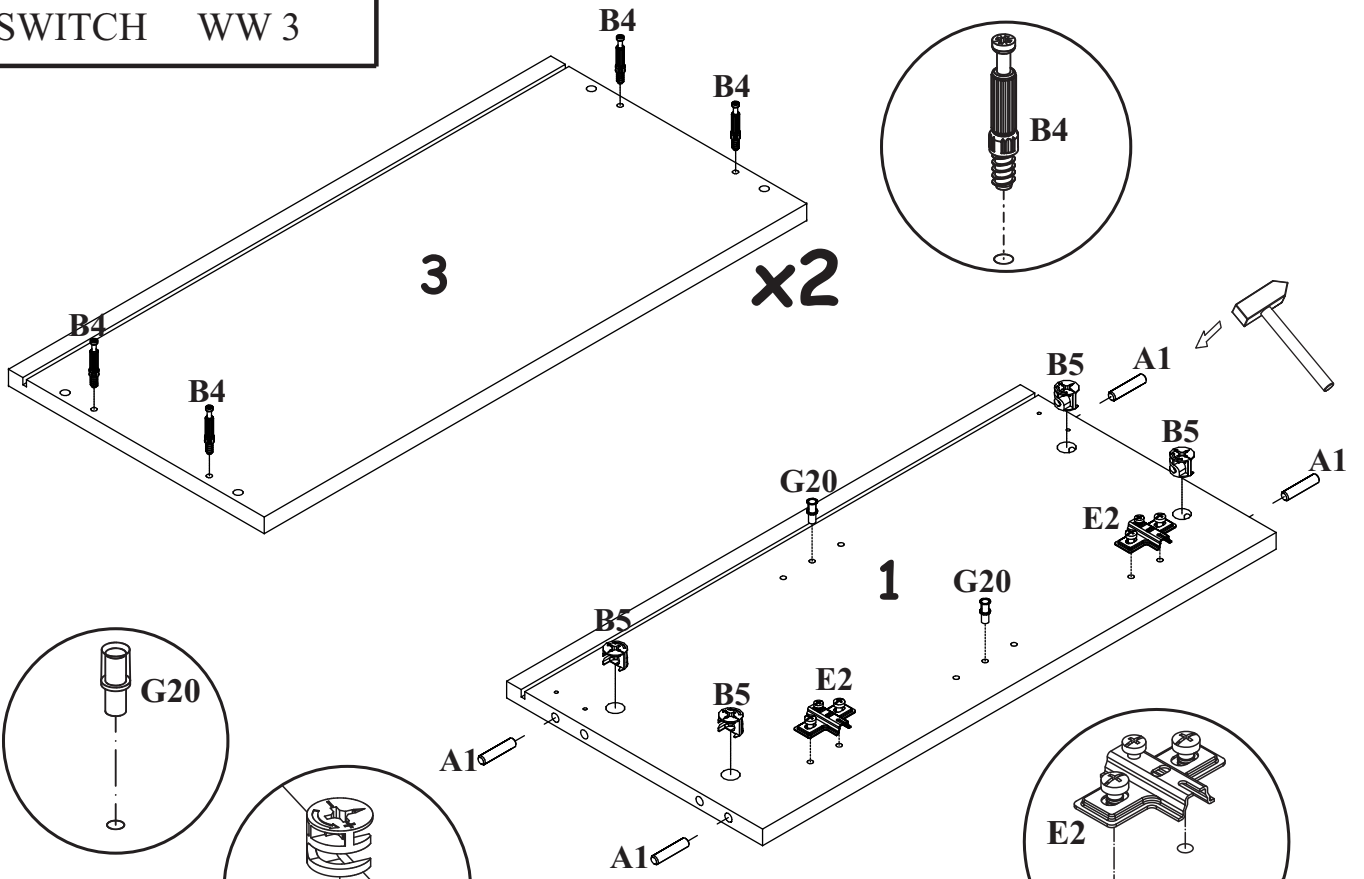
SWITCH WW 3

| | | | | | |
|------------------------|-----------------|------------------------|--------------------|-----------------|-----------------------|
| A1 X8 ø8x36 | B4 X8 | G5 X8 | B5 X8 ø15x12 | ZR1 X2 | D6 X4 USØ3,5x30 |
| E1 X2 Ø26 H=0 | E2 X2 H=0 | D10 X4 USØ3,5x13 | G20 X4 | P2 X4 | UP13 X4 UPØ3x16 |
| OD X1 L=71,5 | S1 X8 | KR2 X2 | G2 X1 | LED X1 X1 | |

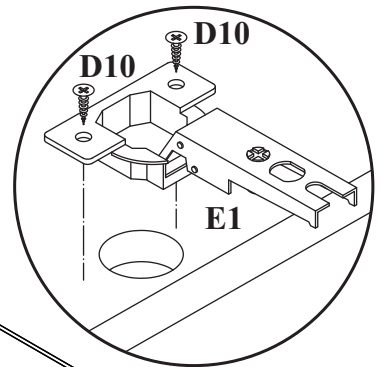
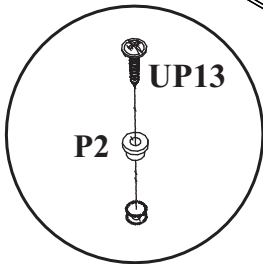
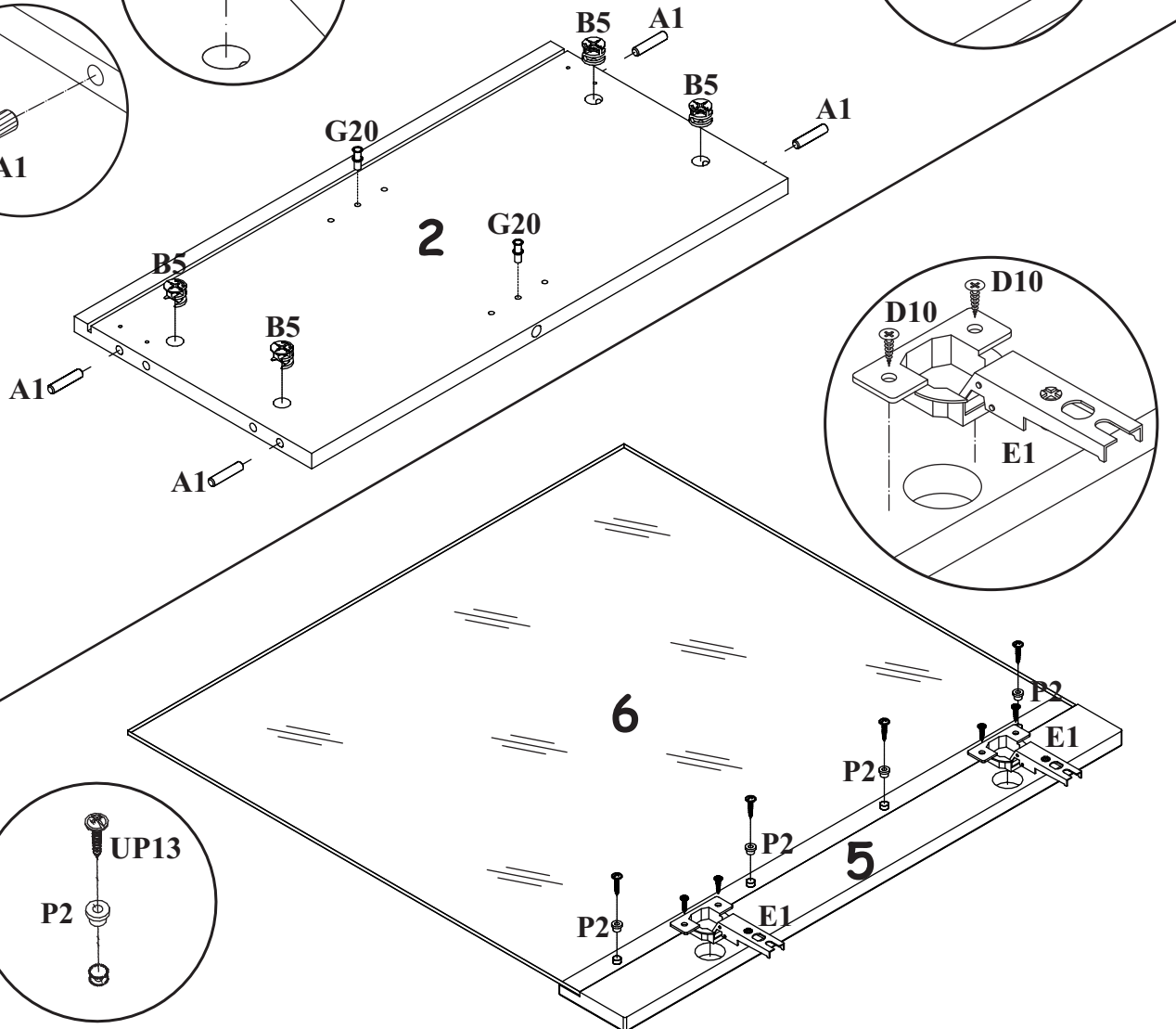


SWITCH WW 3

1

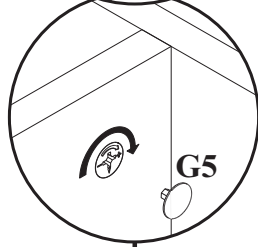
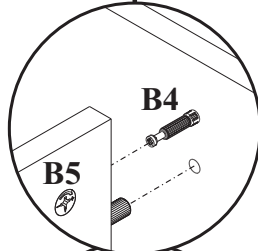
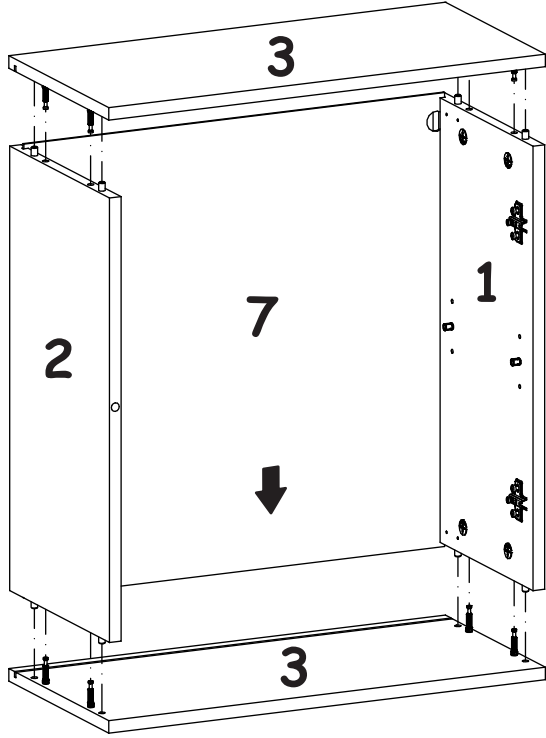
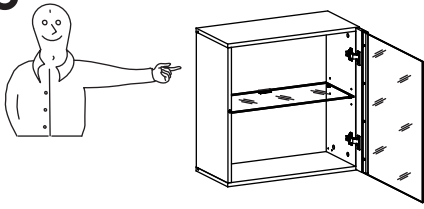


2

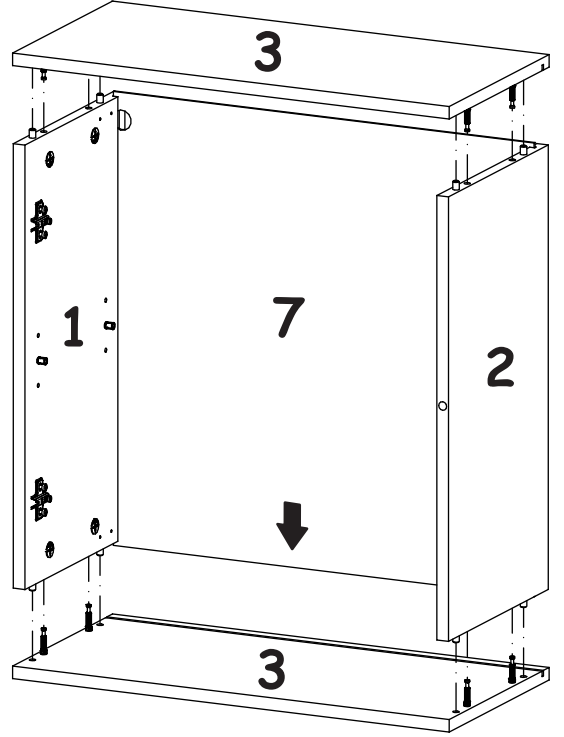
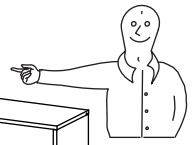


SWITCH WW 3

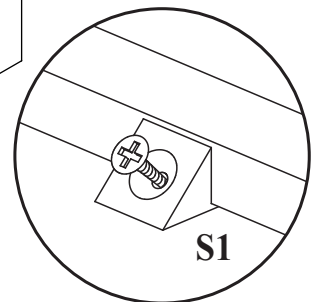
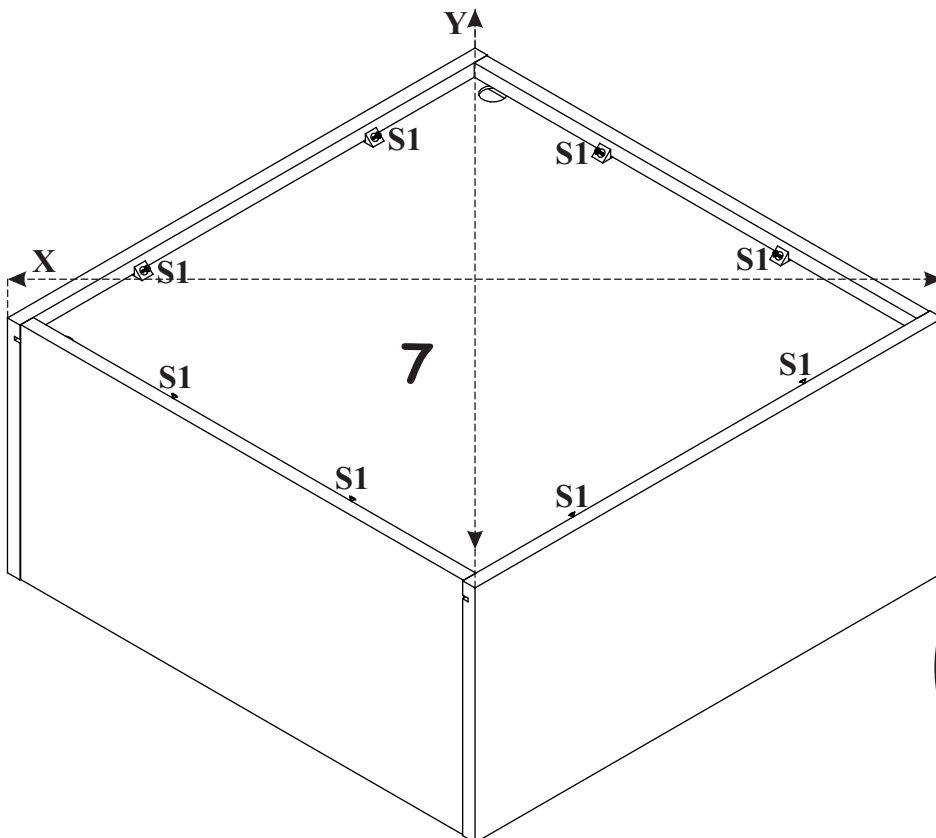
3



3

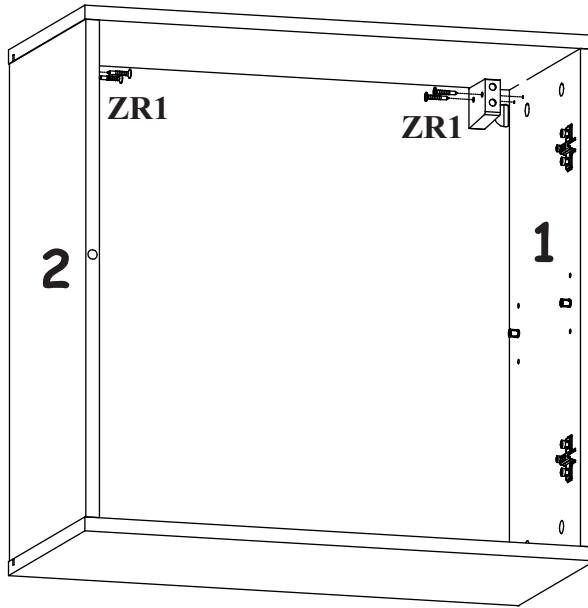
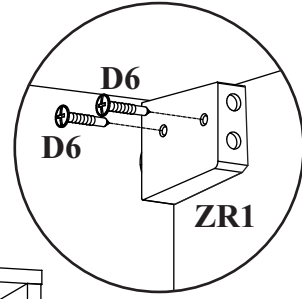
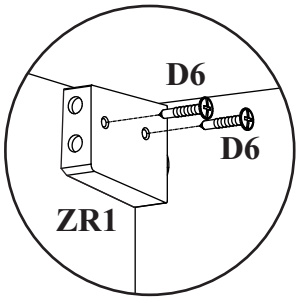


4

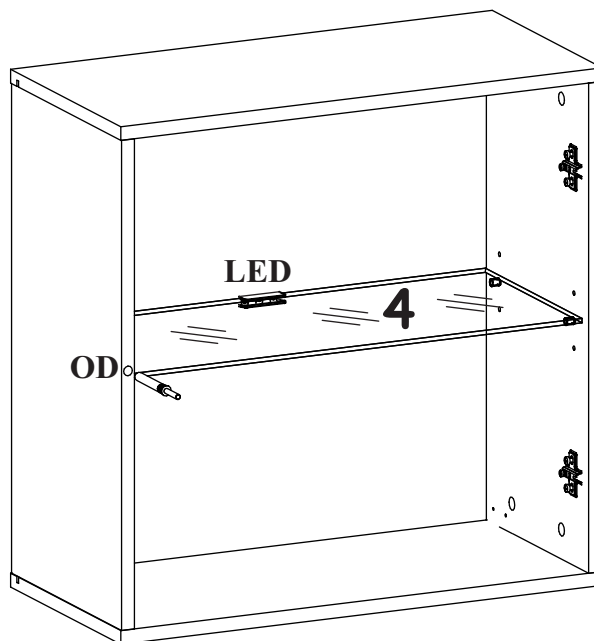
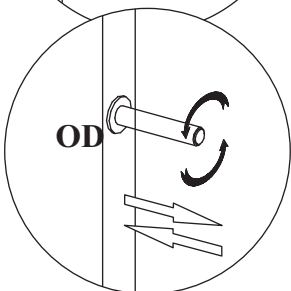
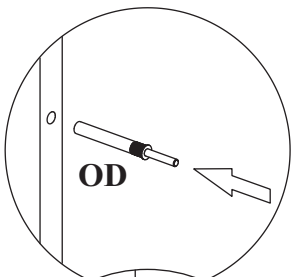
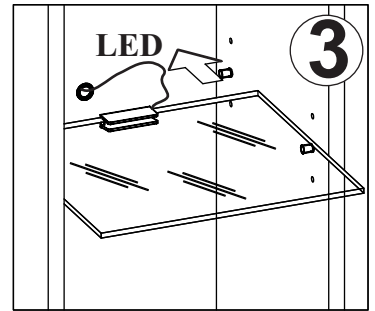
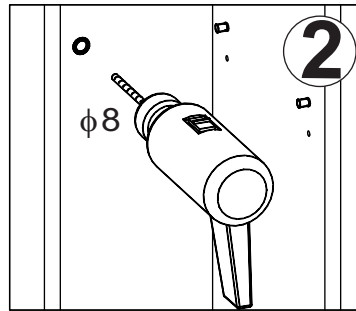
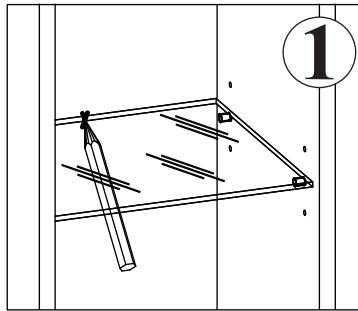


SWITCH WW 3

5

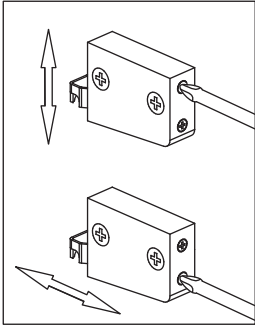
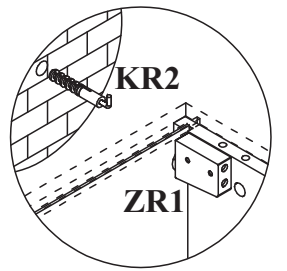
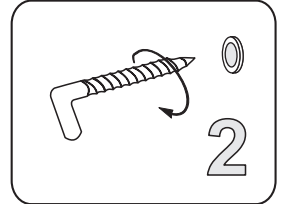
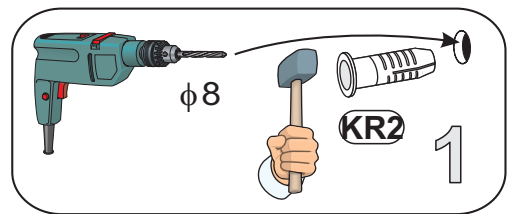
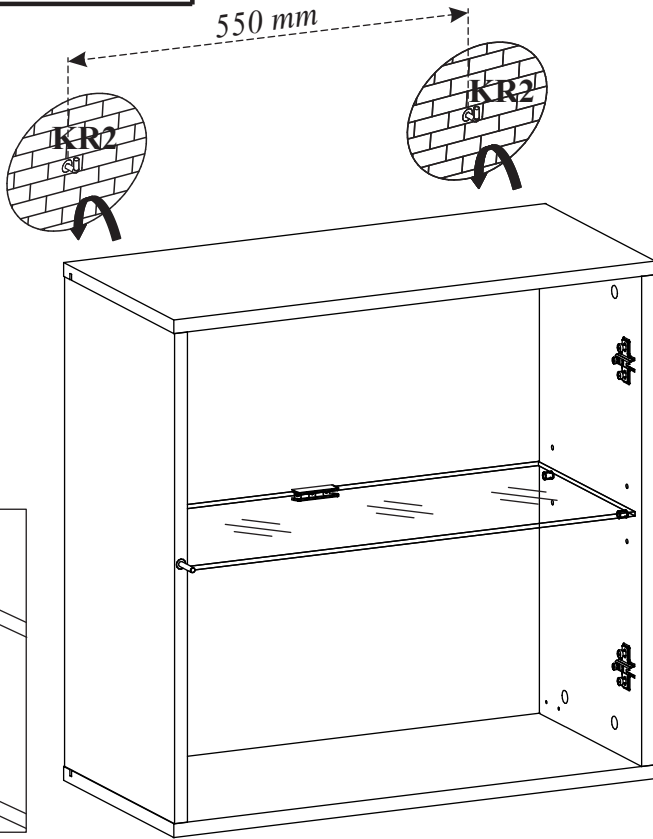


6

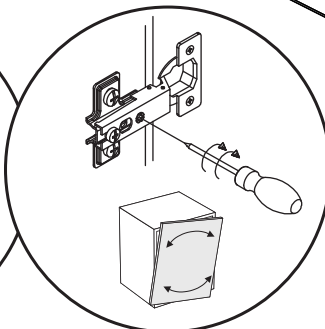
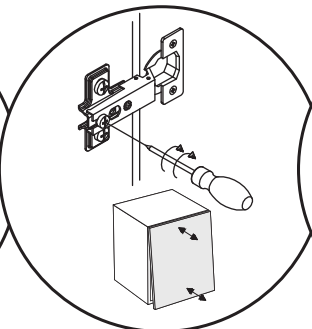
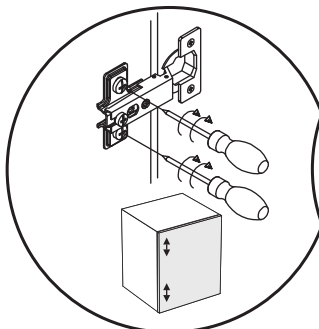
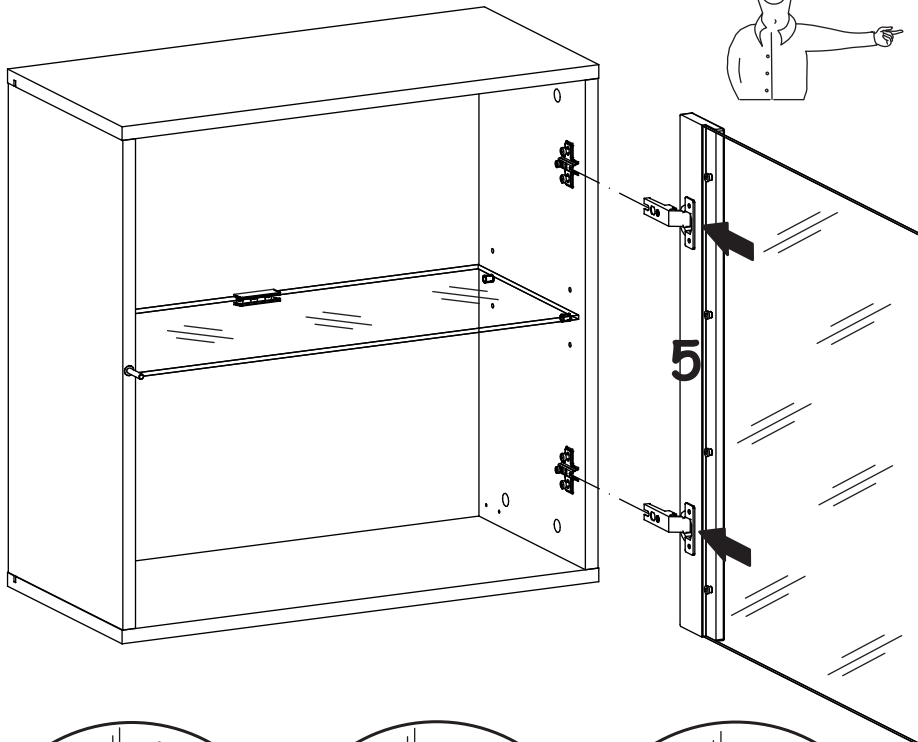


SWITCH WW 3

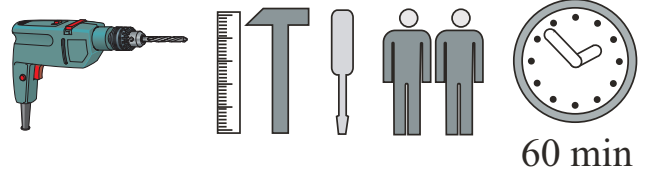
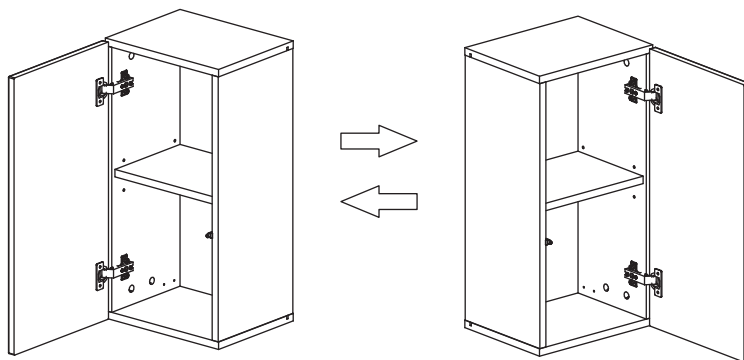
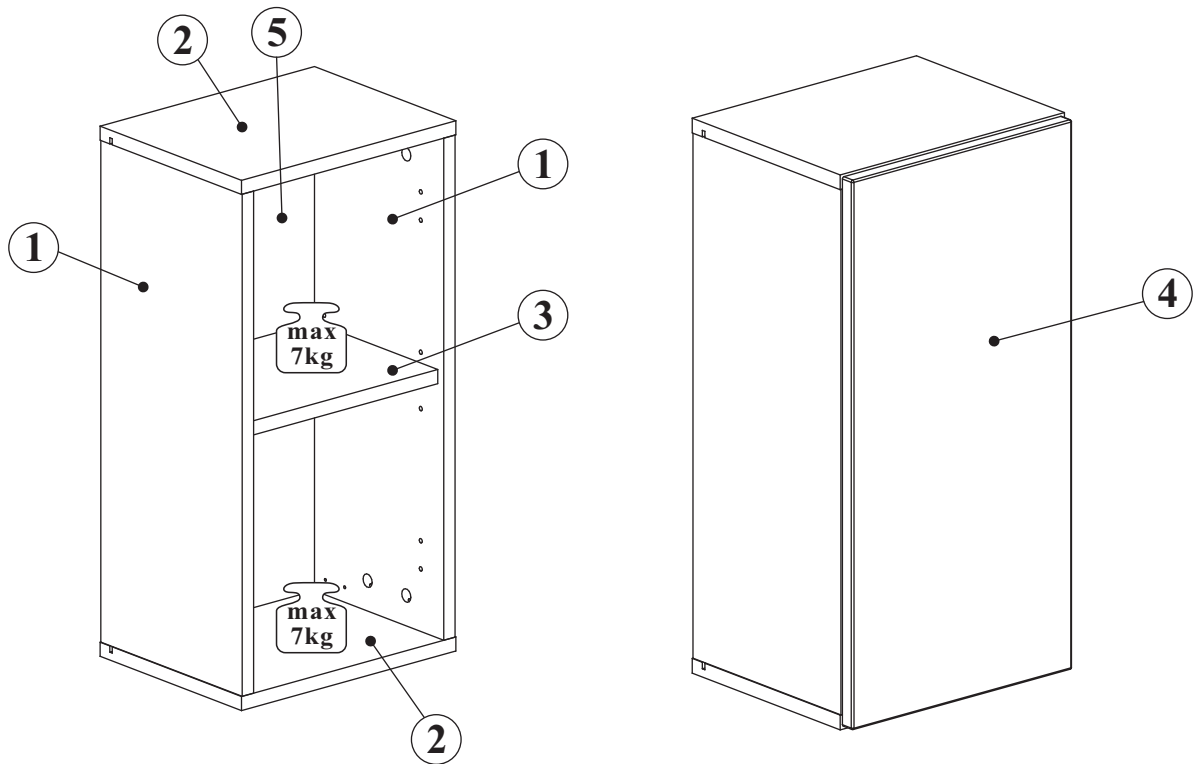
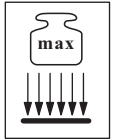
7



8



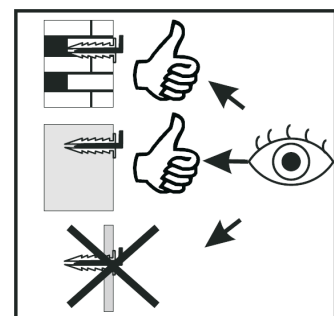
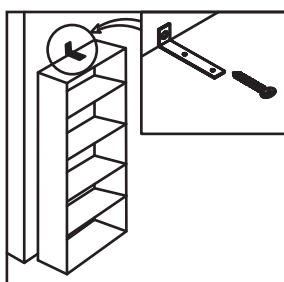
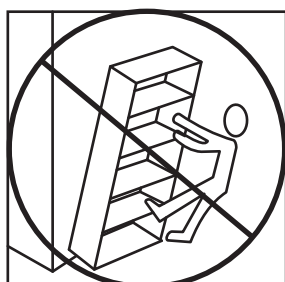
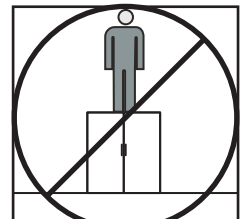
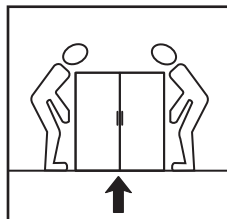
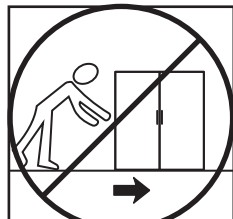
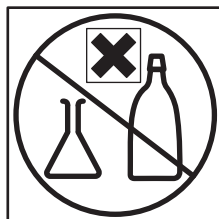
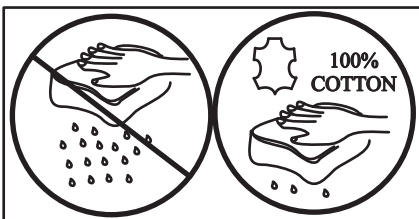
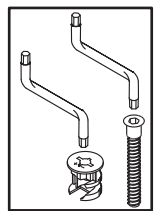
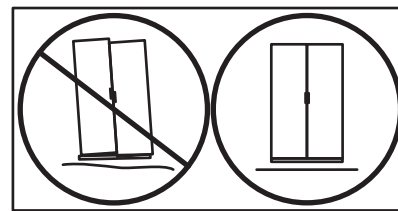
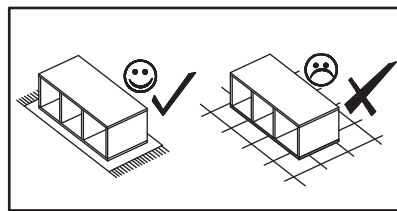
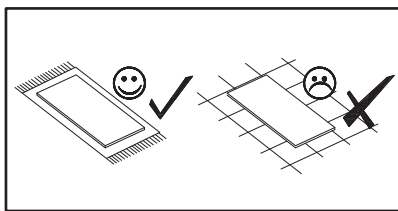
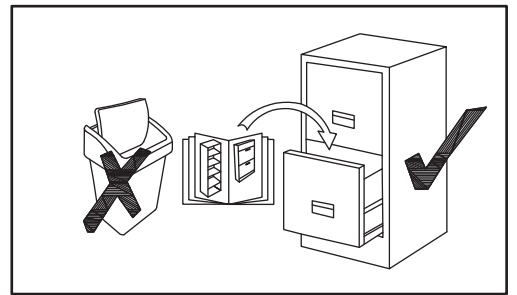
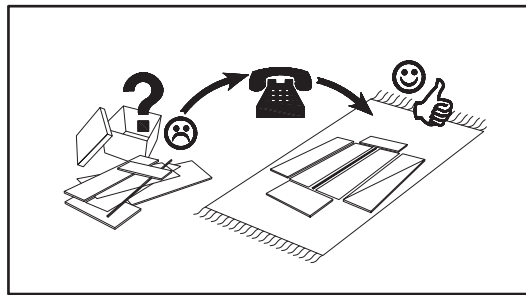
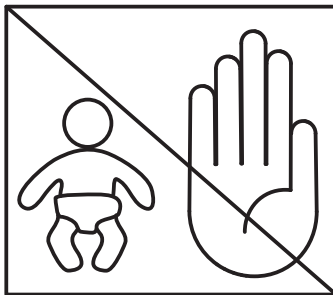
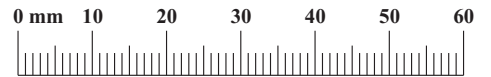
SWITCH 27 -- SW SW 4



| NO | Dim. | | | Col-No | Qty |
|----|------|-----|----|--------|-----|
| 1 | 570 | 234 | 16 | 1 | 2 |
| 2 | 302 | 234 | 16 | 1 | 2 |
| 3 | 268 | 204 | 16 | 1 | 1 |
| 5 | 582 | 280 | 3 | 1 | 1 |
| 4 | 296 | 596 | 16 | 1 | 1 |

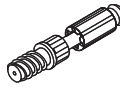
SWITCH SW 4

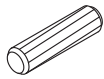
| | | | | | |
|------------------------|-----------------|------------------------|--------------------|-----------|-----------------------|
| A1 x8 ø8x36 | B4 x8 | G5 x8 | B5 x8 ø15x12 | ZR1 x2 | D6 x4 USØ3,5x30 |
| E1 x2 Ø26 H=0 | E2 x2 H=0 | D10 x6 USØ3,5x13 | T1 x1 | S1 x6 | KR2 x2 Ø8 |
| G7 x4 | G2 x1 | Z2 x4 Ø5 | | | |

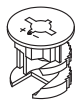


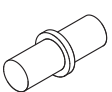
SWITCH SW 4

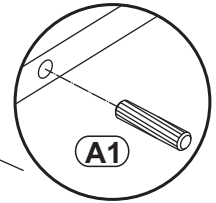
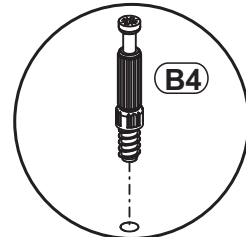
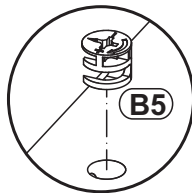
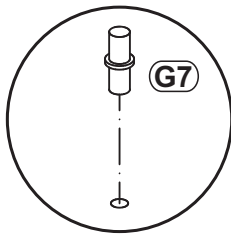
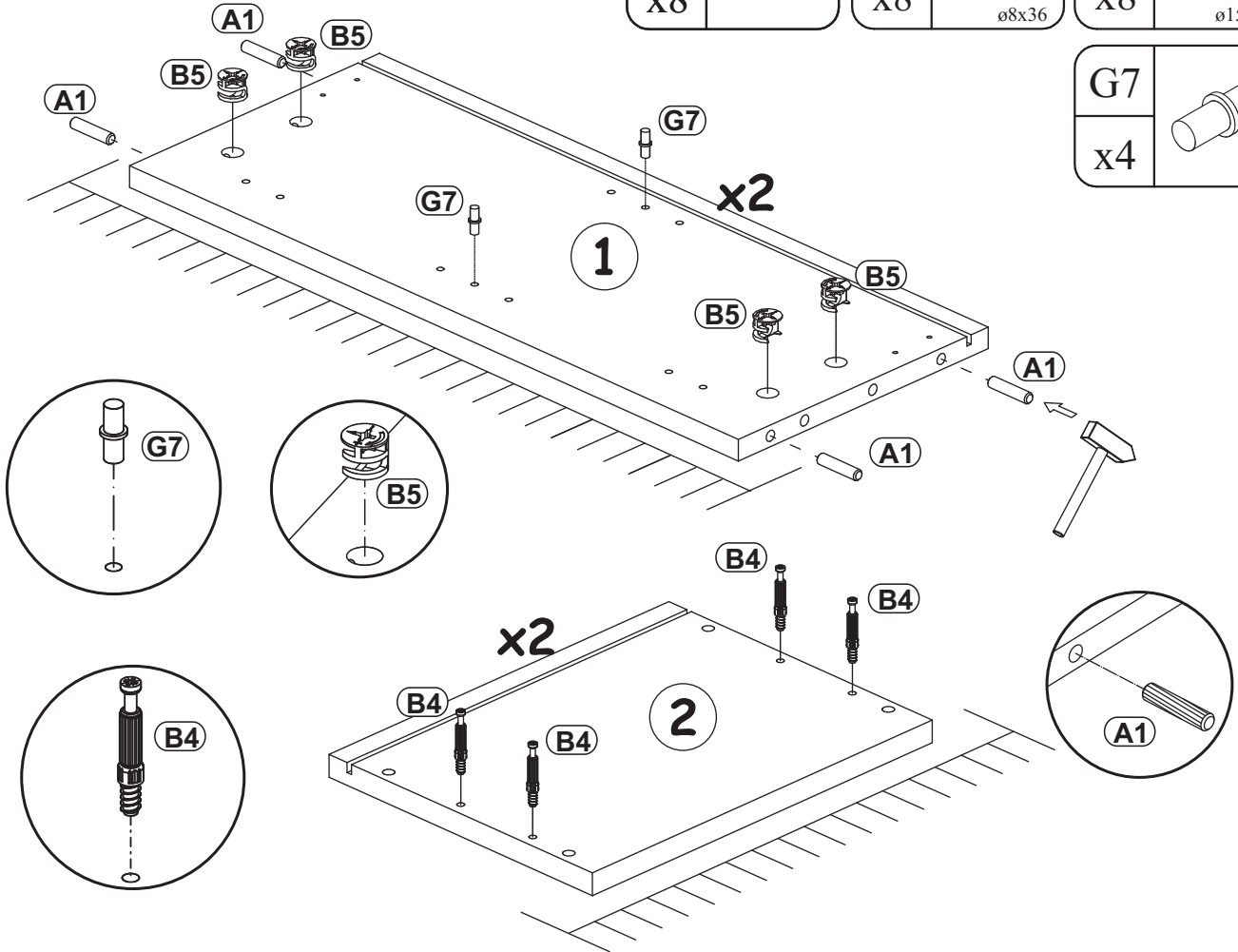
1

| | |
|----|--|
| B4 |  |
| x8 | |

| | |
|----|---|
| A1 |  |
| x8 | ø8x36 |


| | |
|----|--|
| B5 |  |
| x8 | ø15x12 |

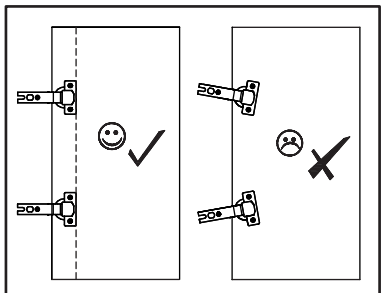
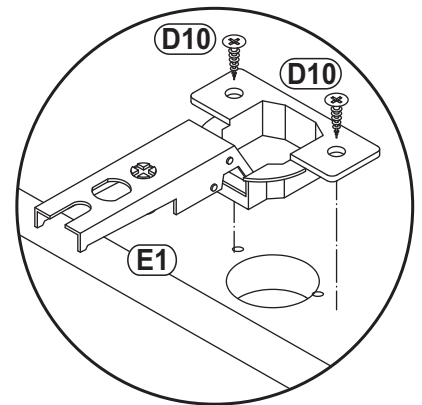
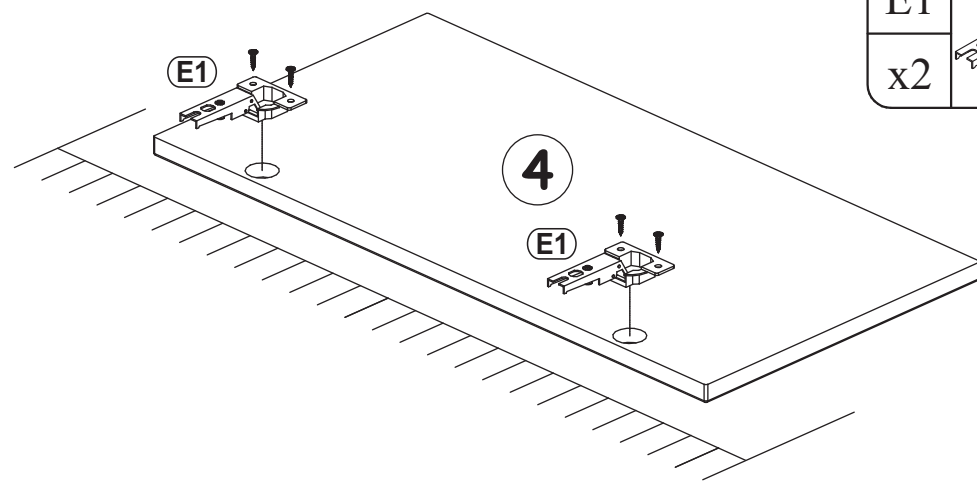
| | |
|----|---|
| G7 |  |
| x4 | |



2

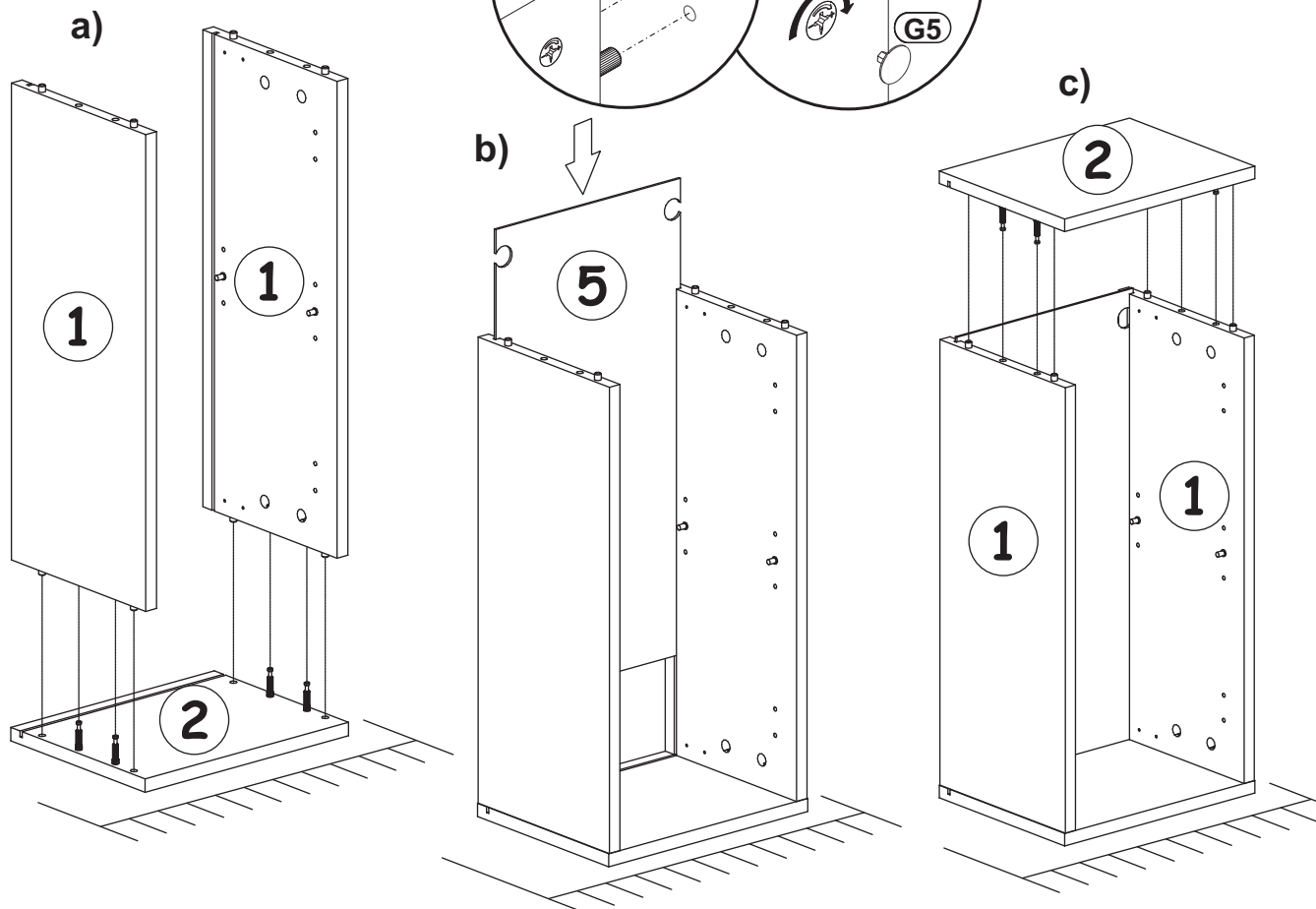
| | |
|----|-----|
| E1 | Ø26 |
| x2 | H=0 |

| | |
|-----|---|
| D10 |  |
| x4 | USØ3,5x13 |

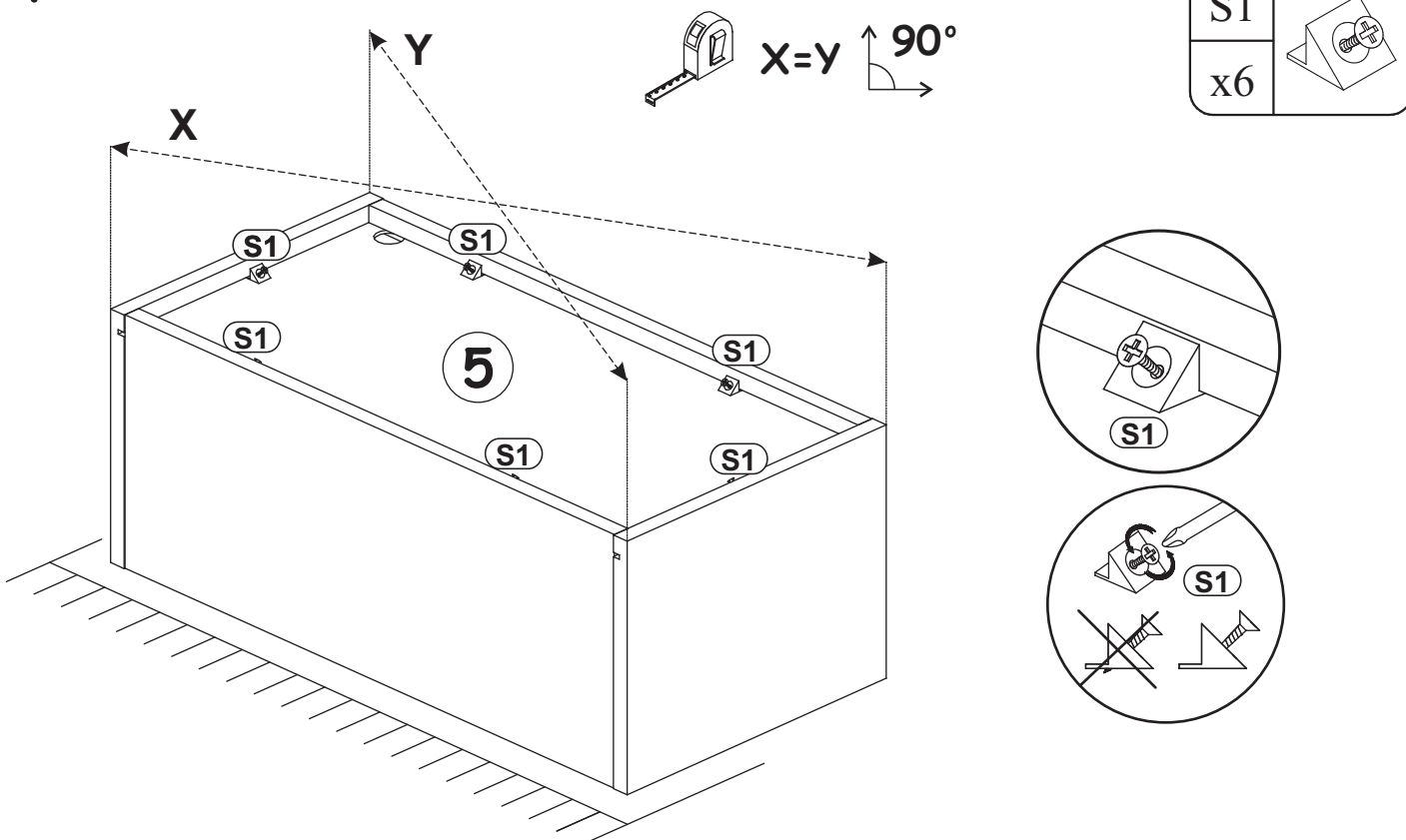


SWITCH SW 4

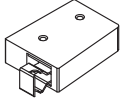

3



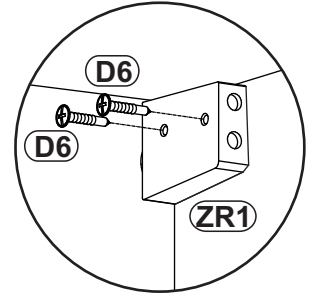
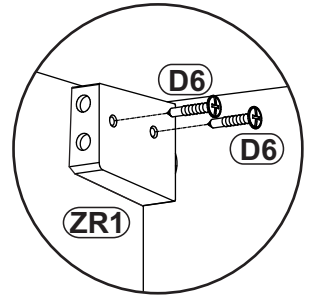
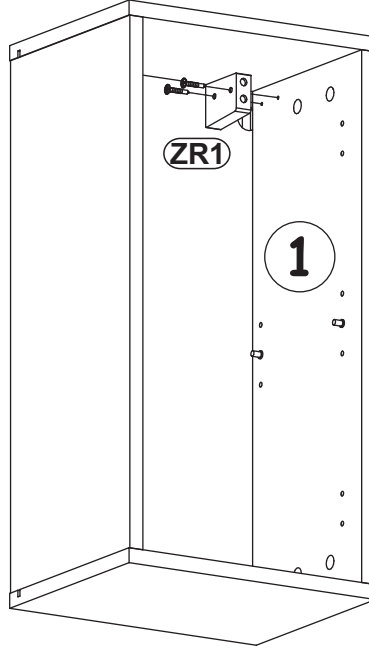
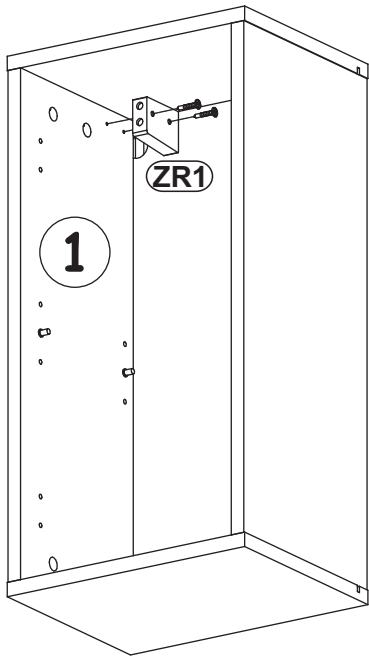
4



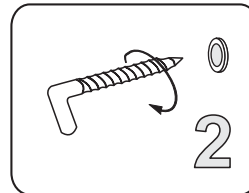
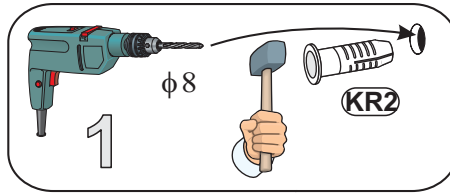
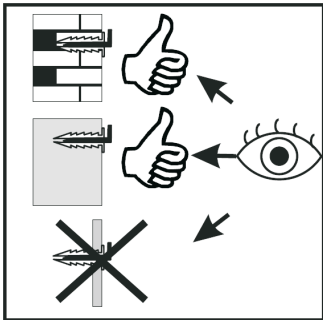
SWITCH SW 4

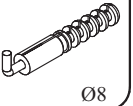
| | | | |
|-----|---|----|---|
| ZR1 |  | D6 |  |
| x2 | | x4 | USØ3,5x30 |

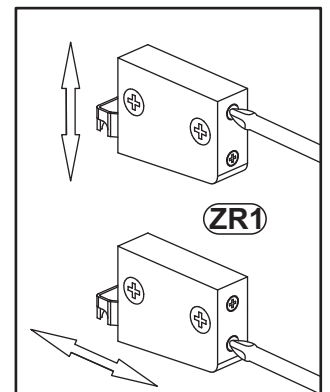
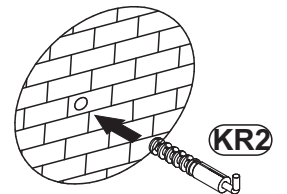
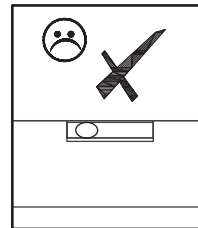
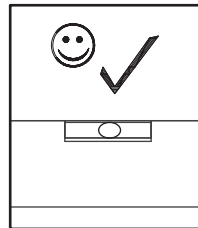
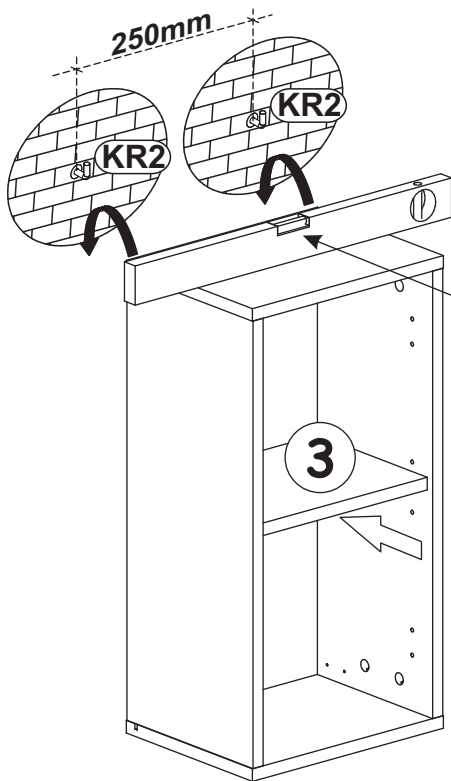
5



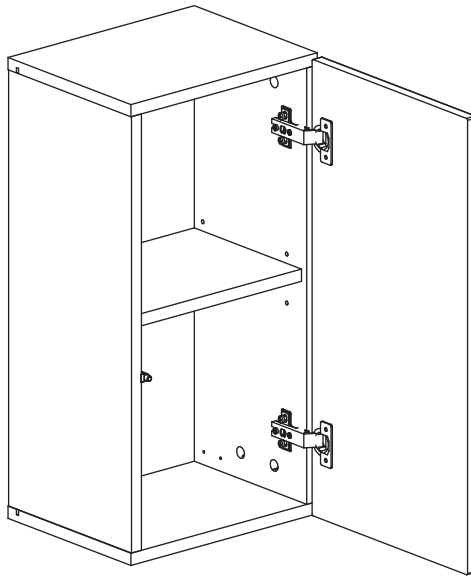
6



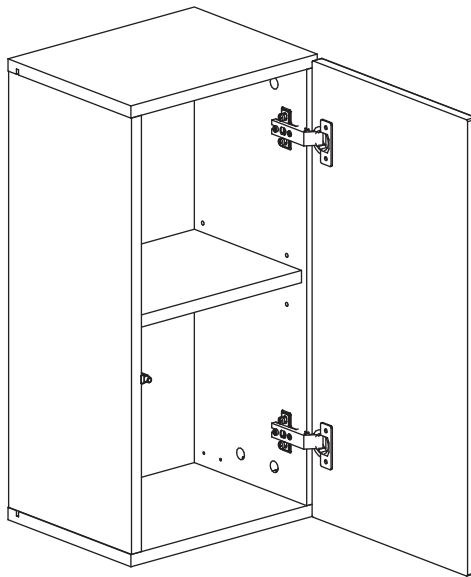
| | |
|-----|--|
| KR2 |  |
| x2 | Ø8 |



7 - 8

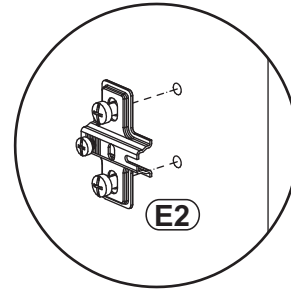
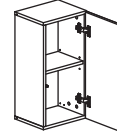
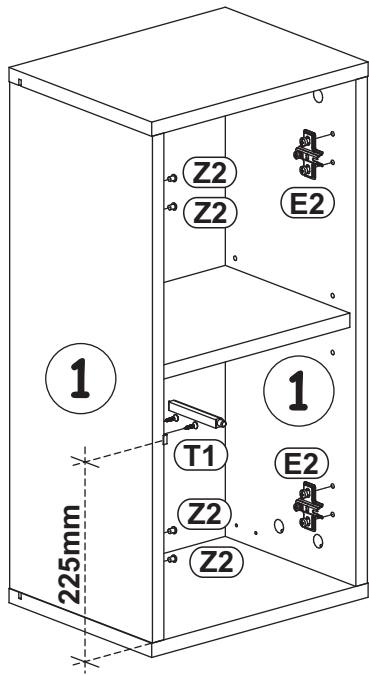
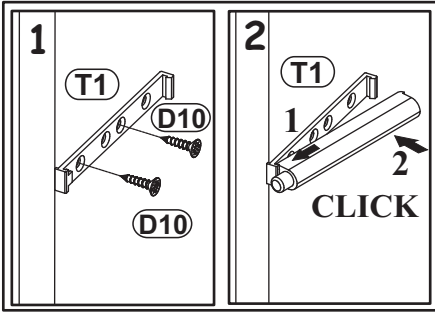
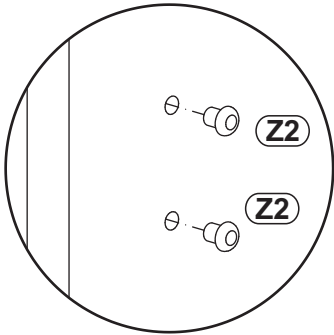



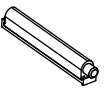

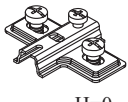
9 - 10



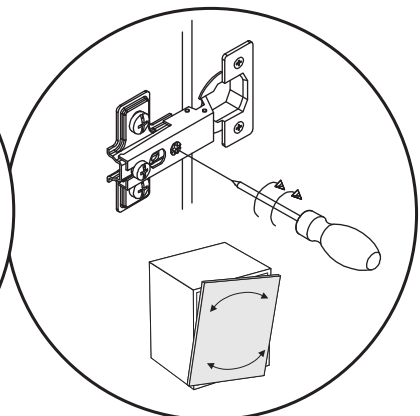
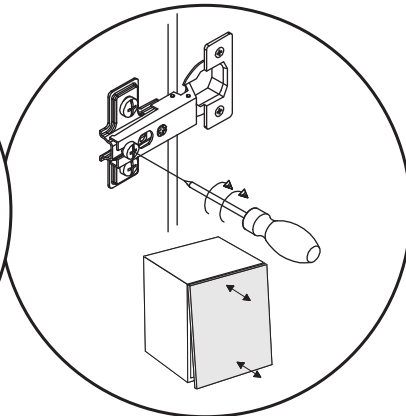
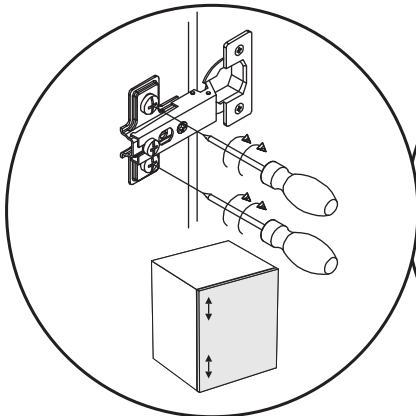
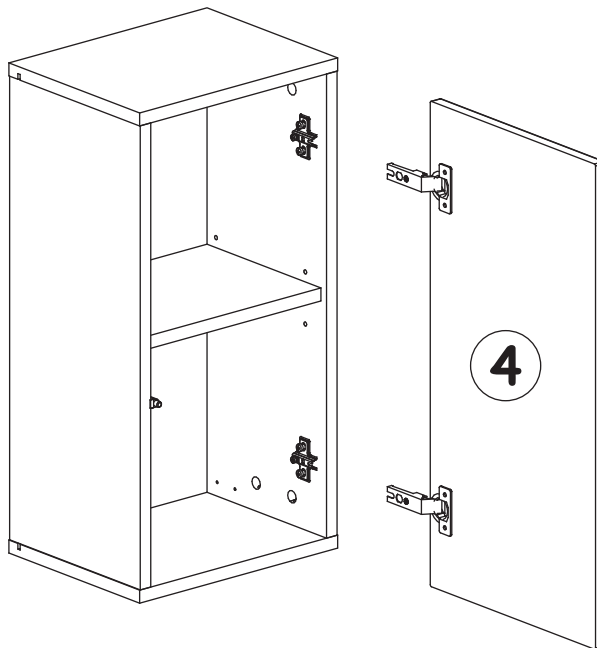
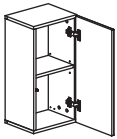
SWITCH SW 4

7



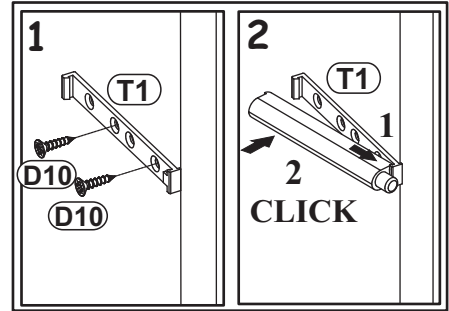
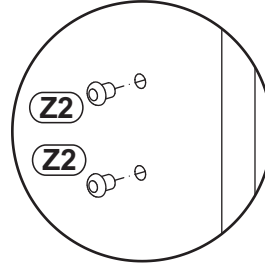
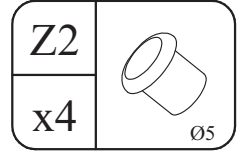
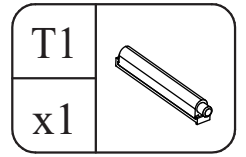
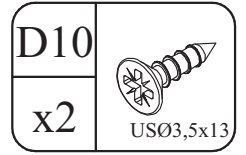
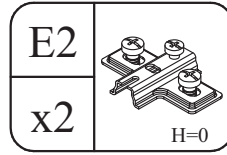
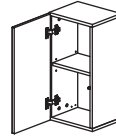
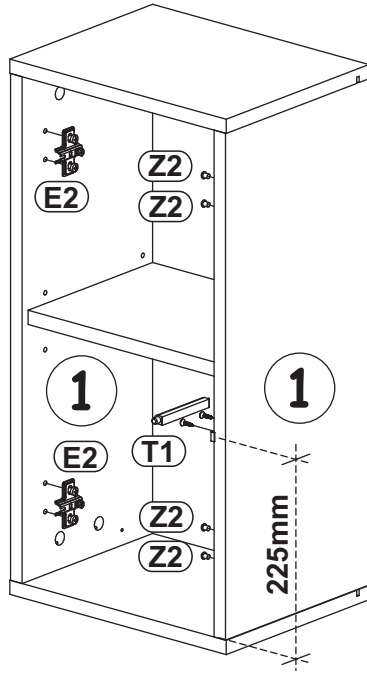
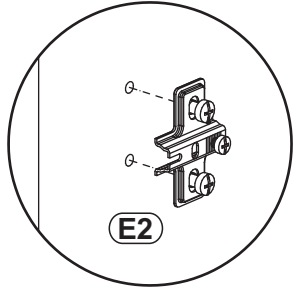
| | |
|-----|---|
| D10 |  |
| x2 | USØ3,5x13 |
| T1 |  |
| x1 | |
| Z2 |  |
| x4 | Ø5 |
| E2 |  |
| x2 | H=0 |

8

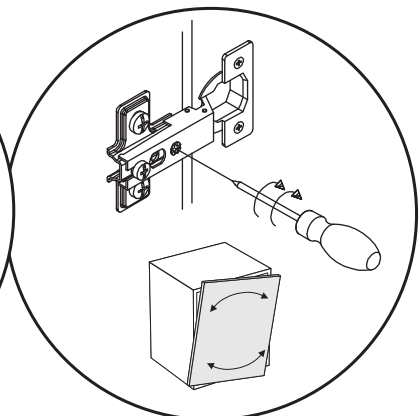
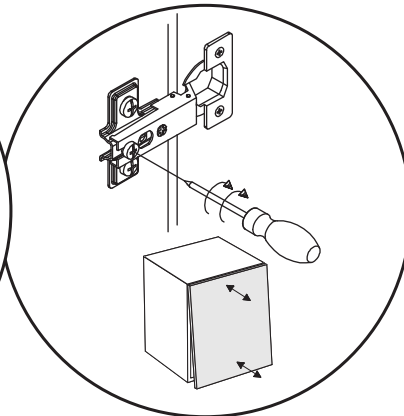
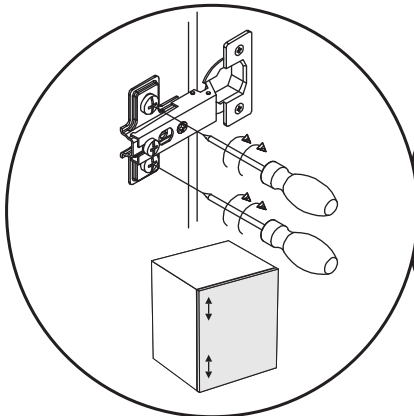
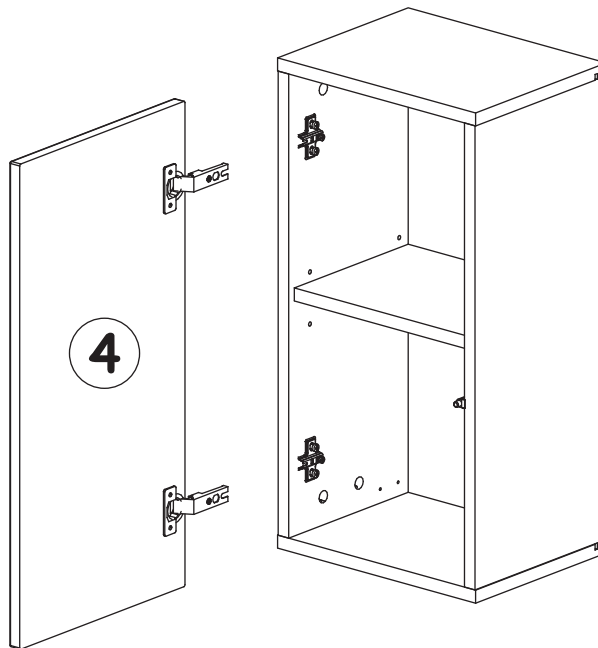
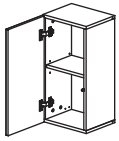


SWITCH SW 4

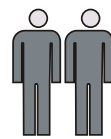
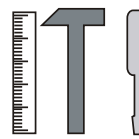
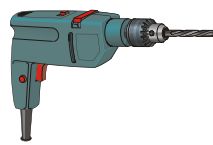
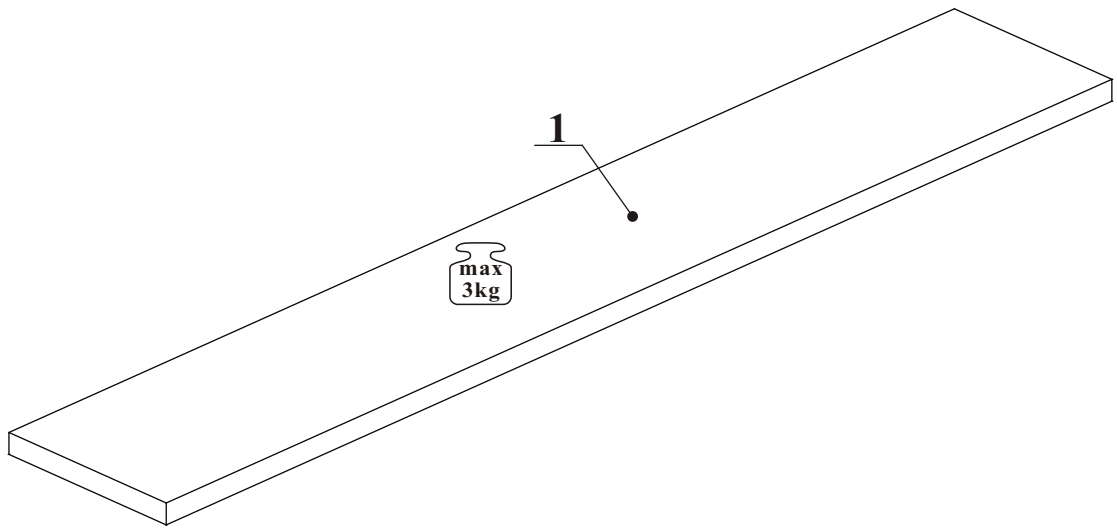
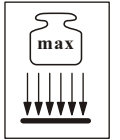
9



10



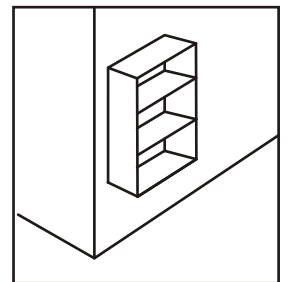
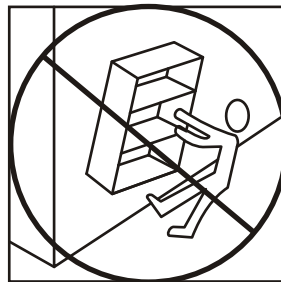
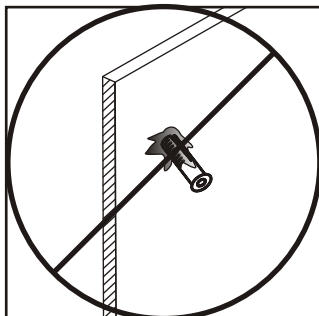
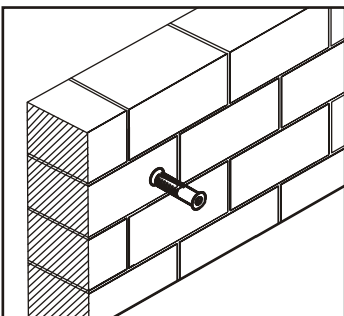
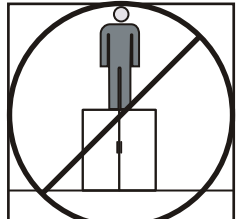
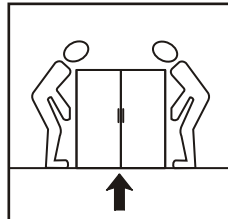
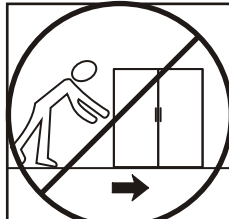
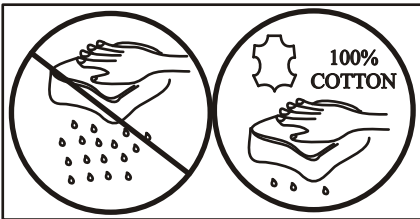
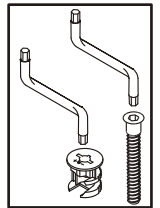
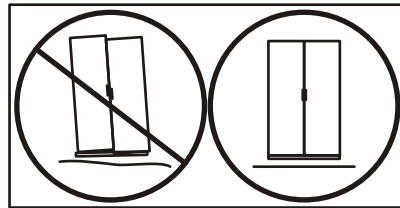
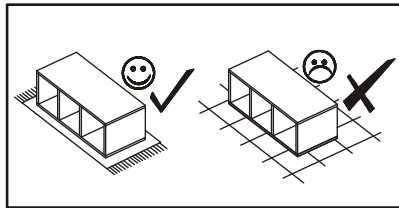
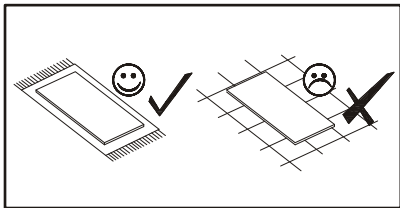
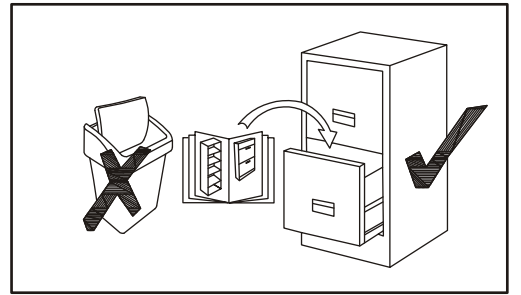
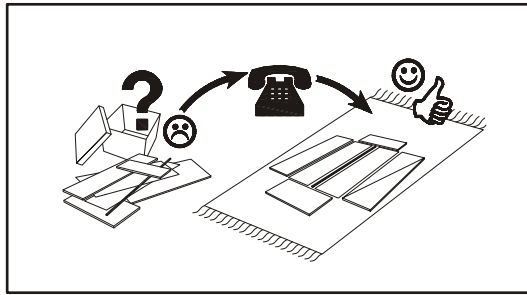
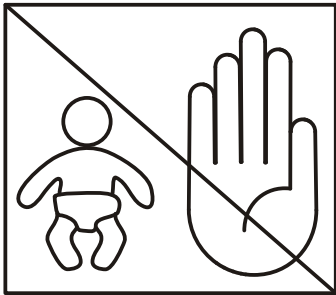
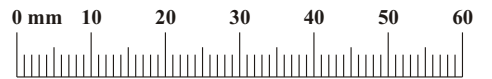
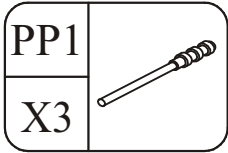
SWITCH PW 2



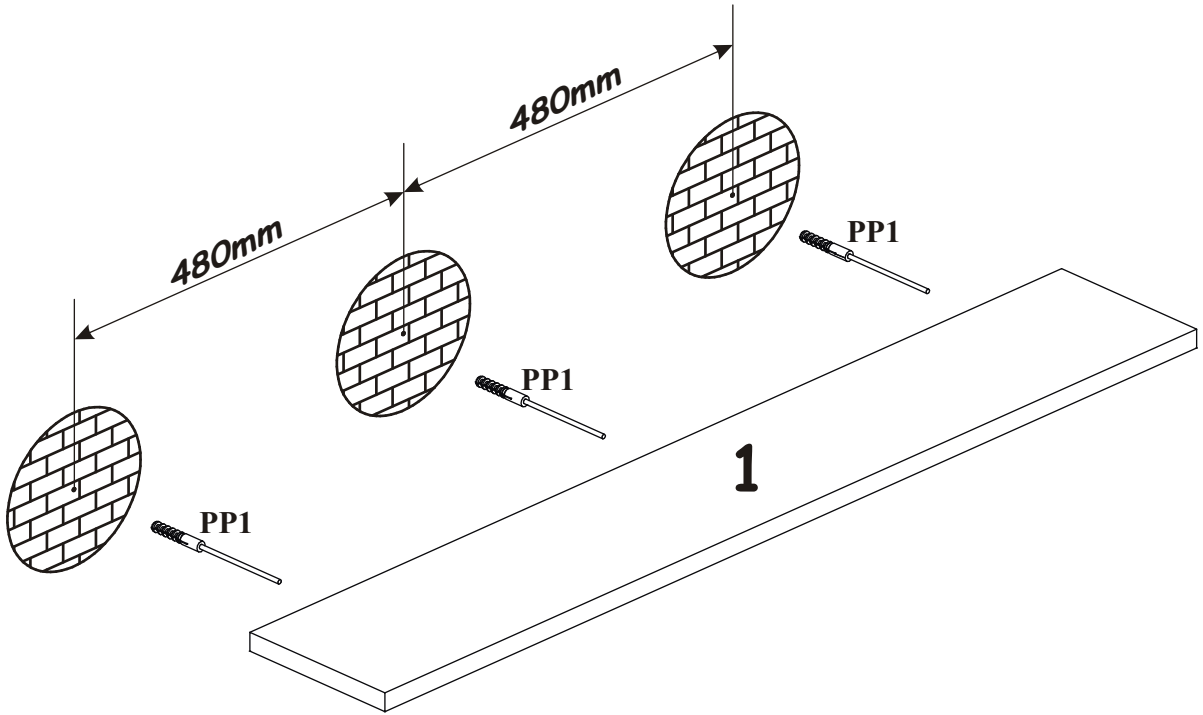
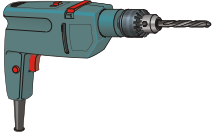
10 min

| NO | Dim. | | Col.-No | Qty |
|----|------|-----|---------|-----|
| 1 | 1202 | 200 | 1 | 1 |

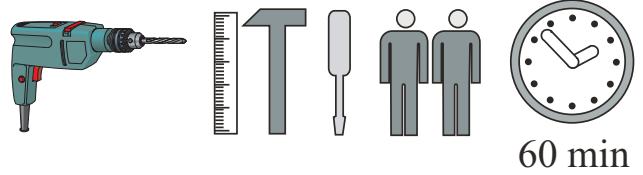
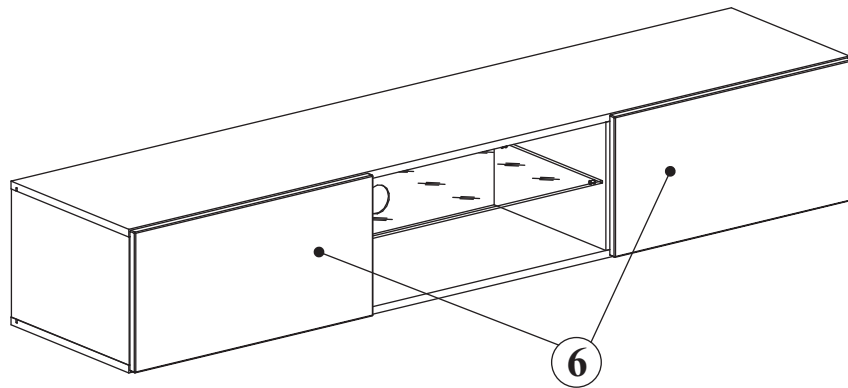
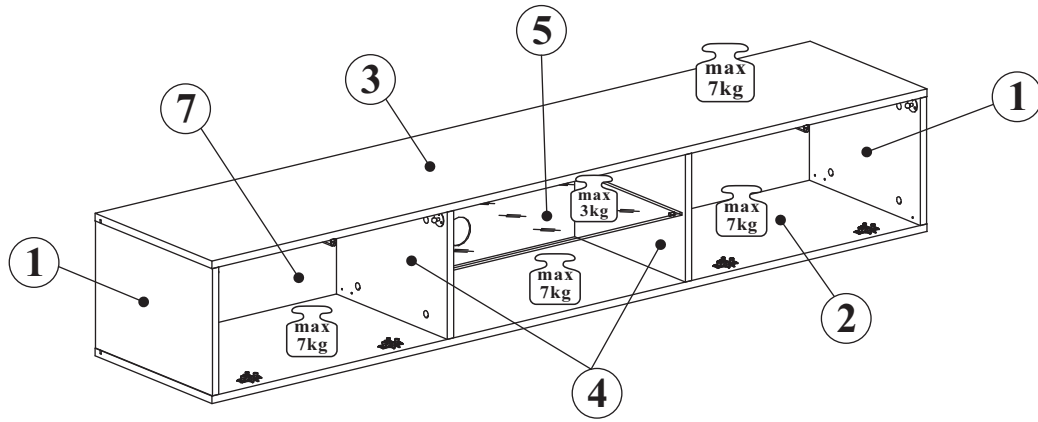
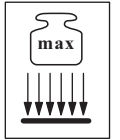
SWITCH PW 2



SWITCH PW 2



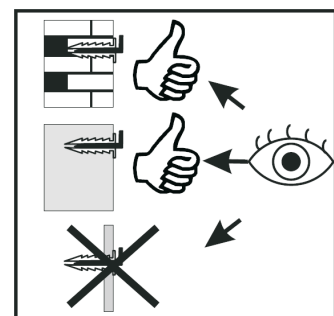
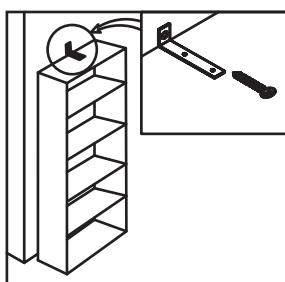
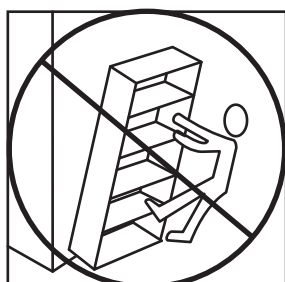
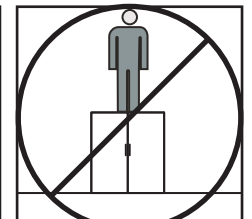
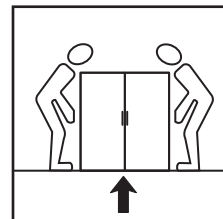
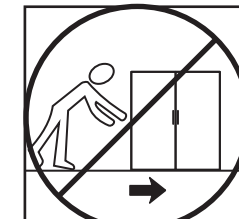
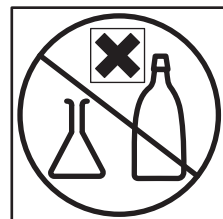
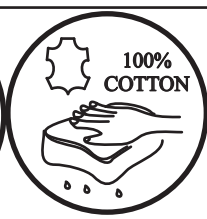
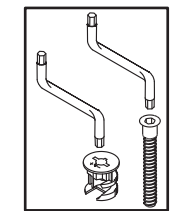
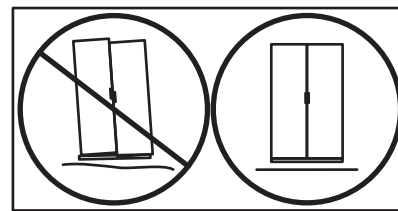
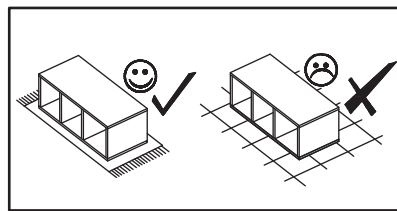
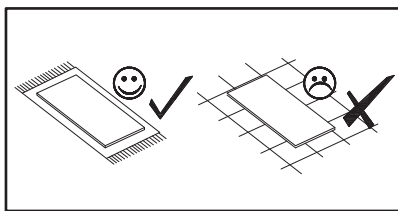
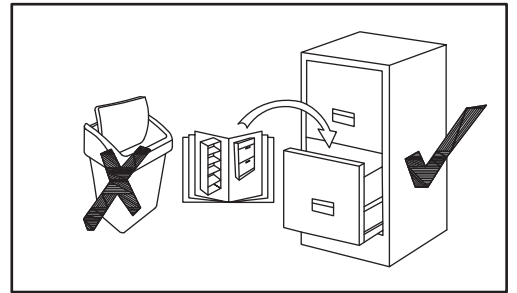
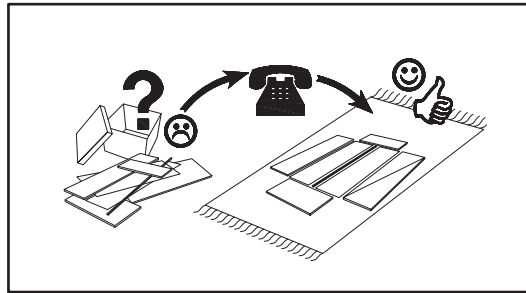
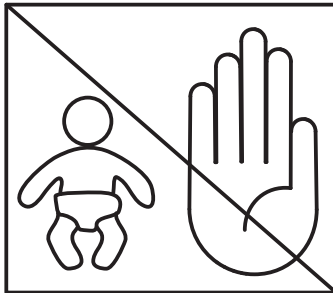
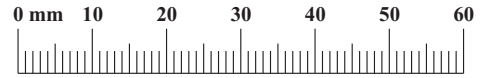
SWITCH 27 -- SW RTV 3



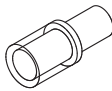
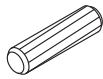
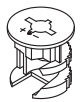
| NO | Dim. | | | Col-No | Qty |
|----|------|-----|----|--------|-----|
| 1 | 268 | 384 | 16 | 1 | 2 |
| 2 | 1802 | 384 | 16 | 1 | 1 |
| 3 | 1802 | 384 | 16 | 1 | 1 |
| 6 | 596 | 294 | 16 | 1 | 2 |
| 4 | 268 | 364 | 16 | 1 | 2 |
| 5 | 582 | 349 | 5 | 1 | 1 |
| 7 | 1780 | 280 | 3 | 1 | 1 |

SWITCH RTV 3

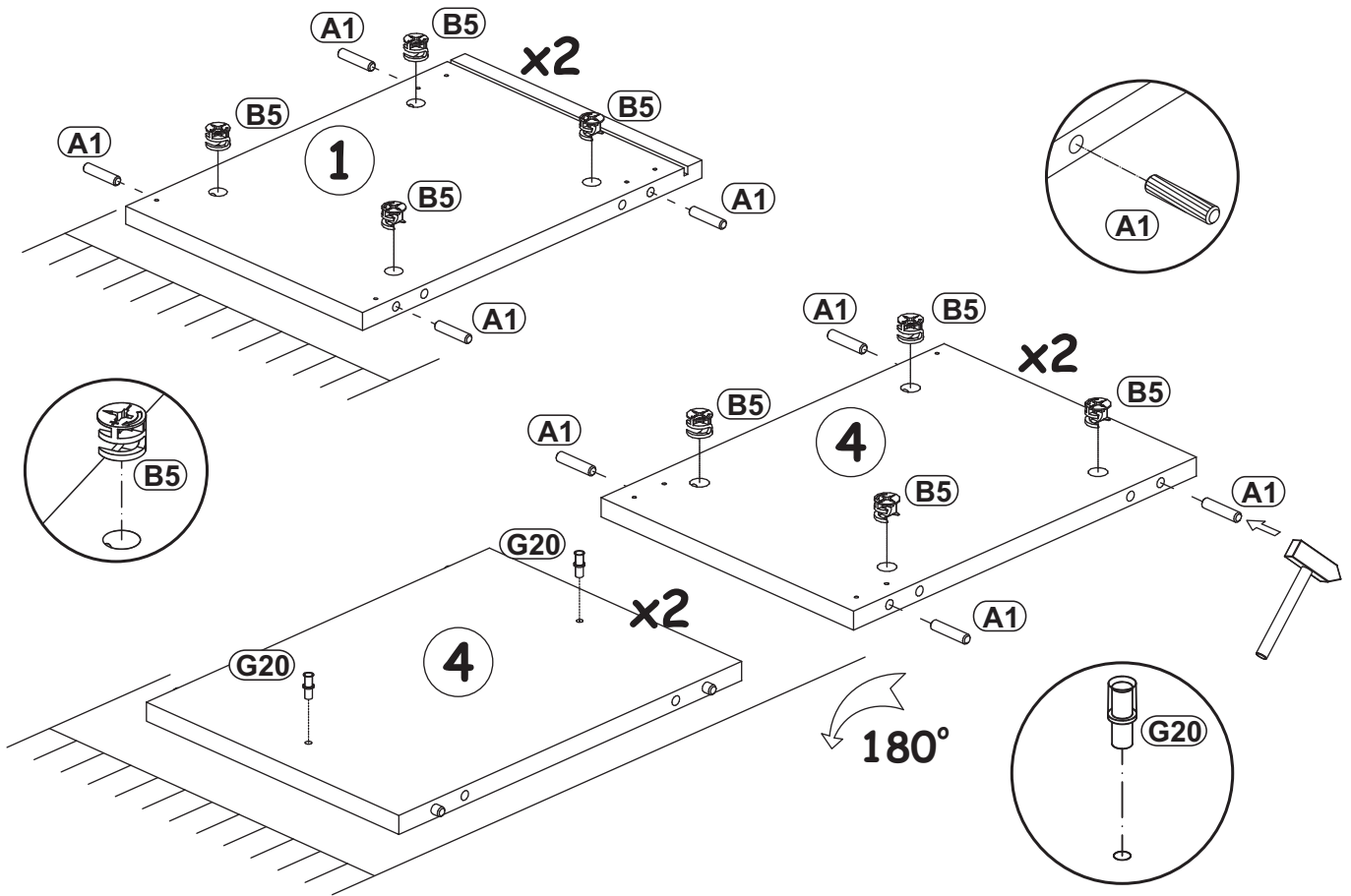
| | | | | | |
|------------------------|-----------------|-------------------------|---------------------|-----------------------|-----------------------|
| A1 x16 ø8x36 | B4 x16 | G5 x16 | B5 x16 ø15x12 | ZR1 x4 | D6 x8 USØ3,5x30 |
| E1 x4 Ø26 H=0 | E2 x4 H=0 | D10 x32 USØ3,5x13 | T1 x2 | S1 x14 | B01 x4 |
| KR2 x4 Ø8 | G2 x1 | LED x1 x1 | G20 x4 | UP13 x4 UPØ3x16 | |



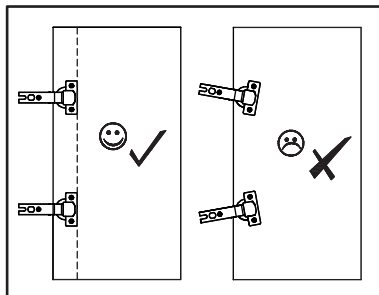
SWITCH RTV 3


| | | | | | |
|-----|--|-----|---|-----|--|
| G20 |  | A1 |  | B5 |  |
| x4 | | x16 | ø8x36 | x16 | ø15x12 |

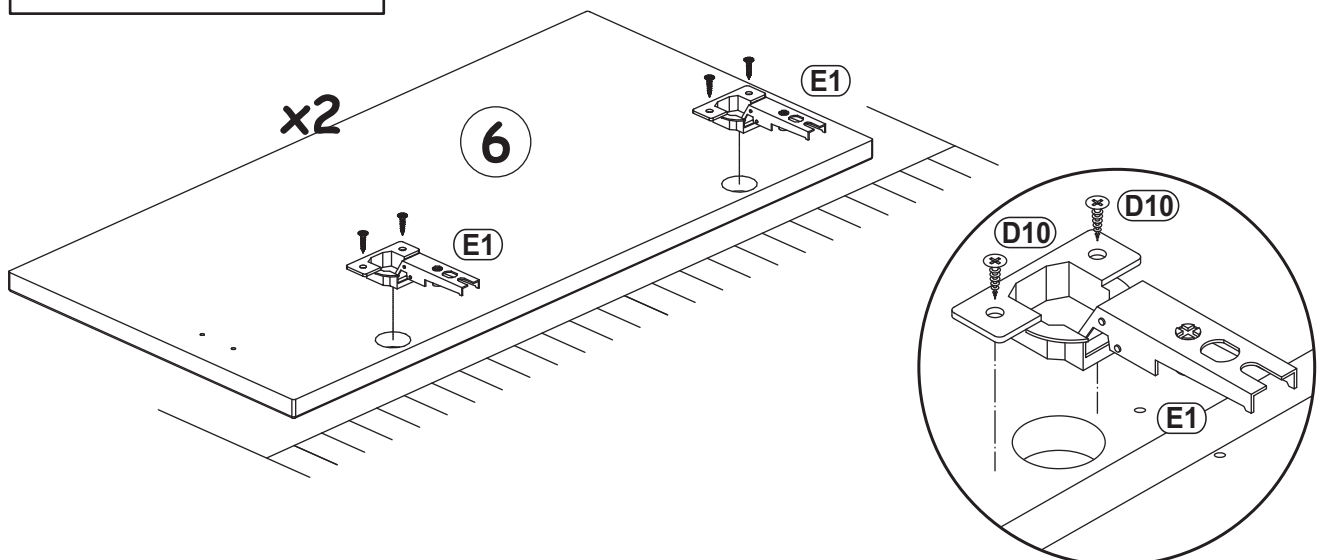
1



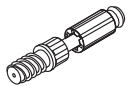
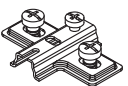
2



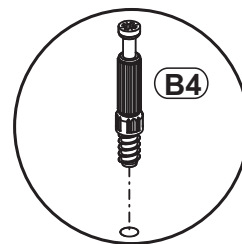
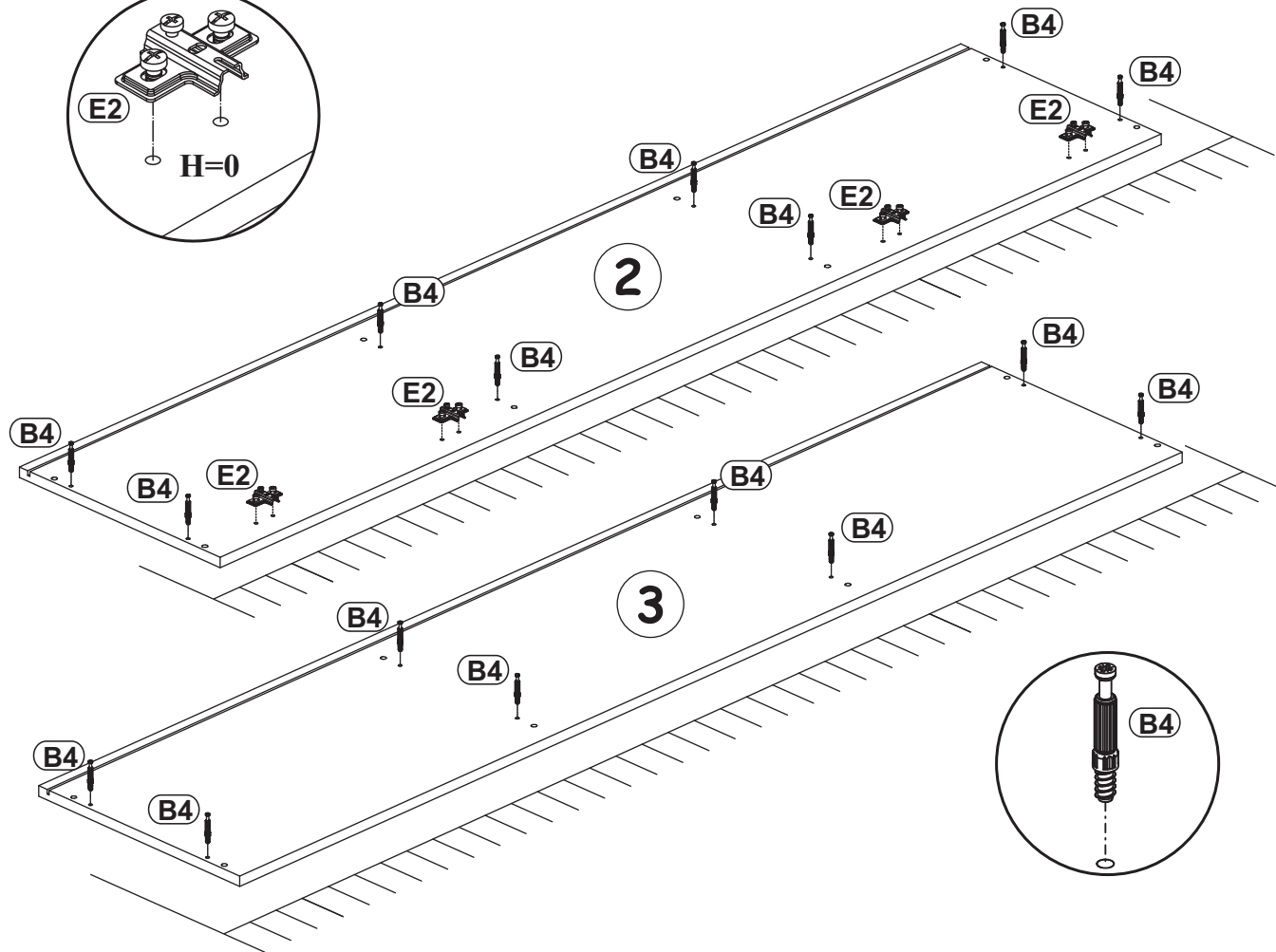
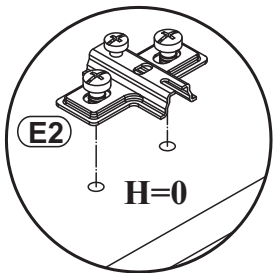
| | | | |
|----|-----|-----|---|
| E1 | Ø26 | D10 |  |
| x4 | H=0 | x8 | USØ3,5x13 |




SWITCH RTV 3

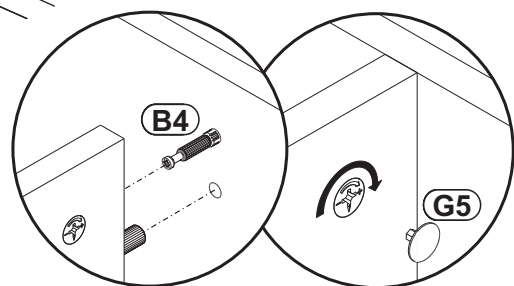
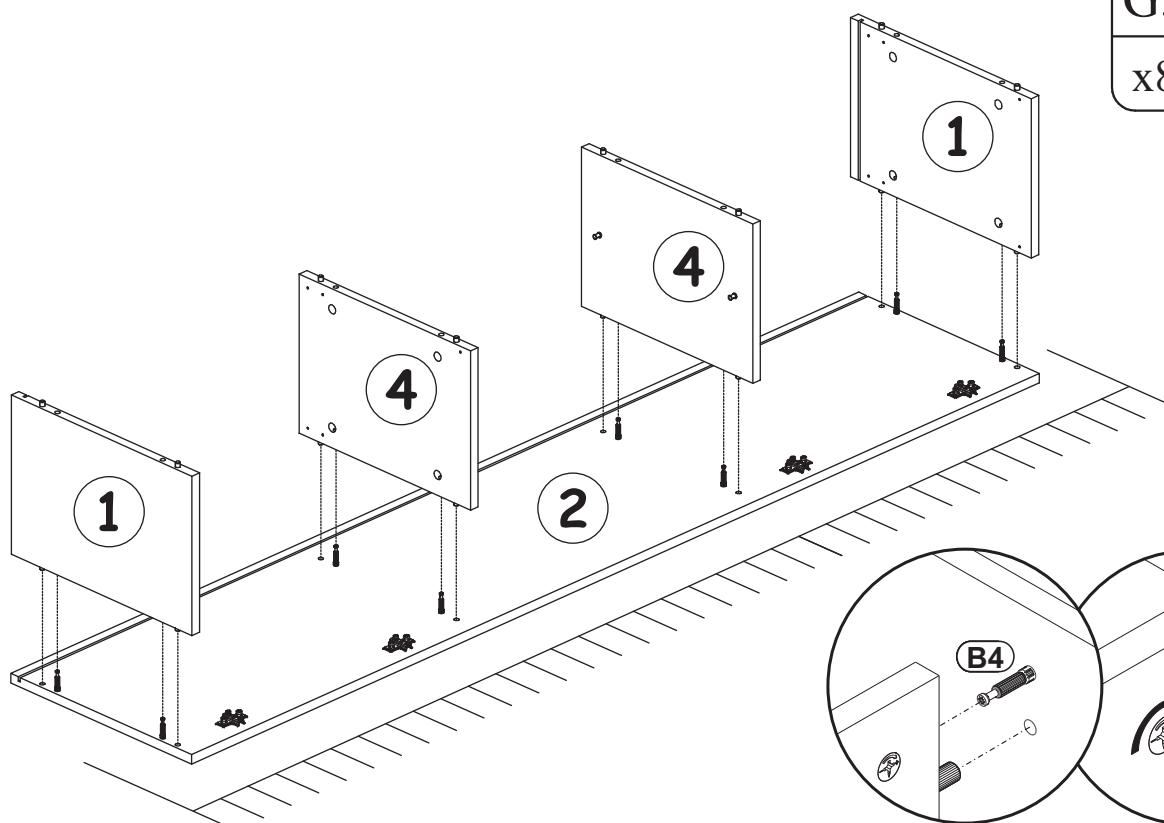
| | | | |
|-----|--|----|--|
| B4 |  | E2 |  |
| x16 | | x4 | H=0 |

3



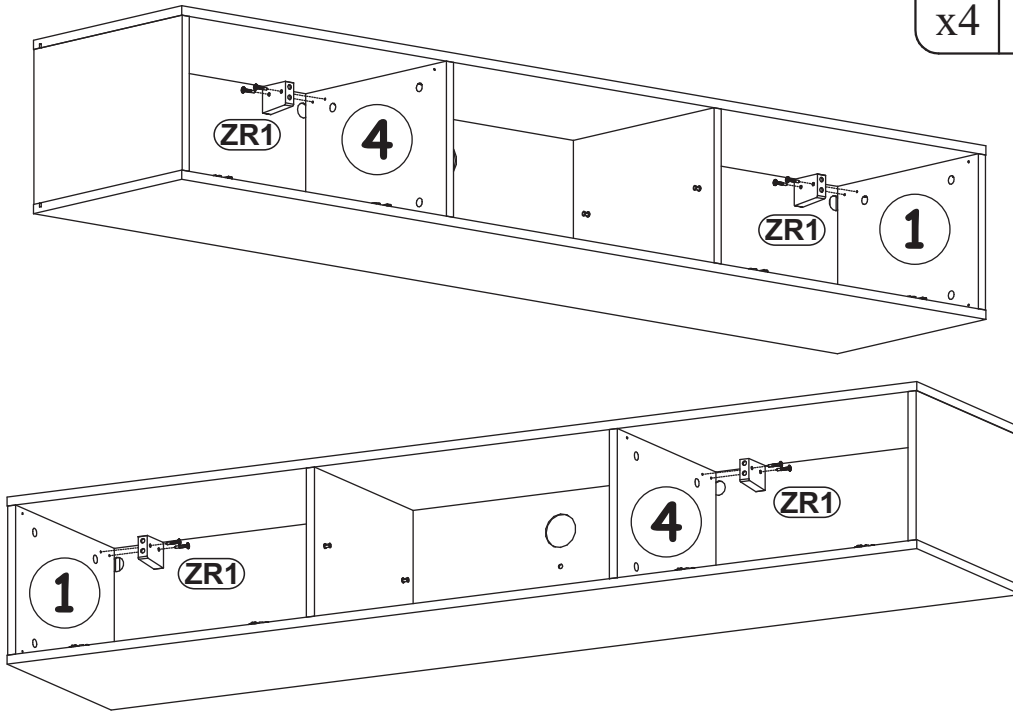
4

| | |
|----|---|
| G5 |  |
| x8 | |

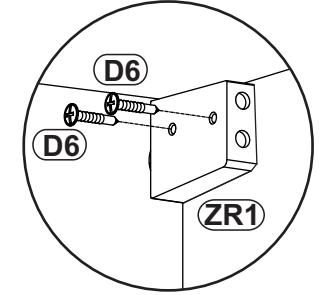
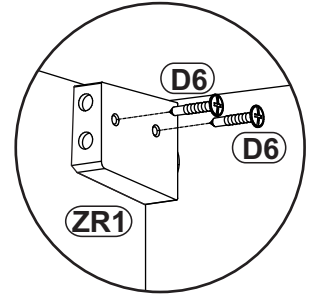


SWITCH RTV 3

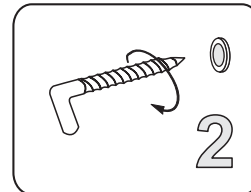
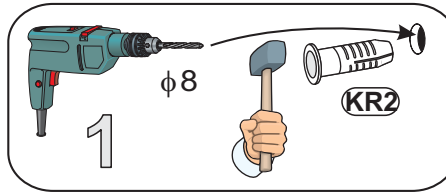
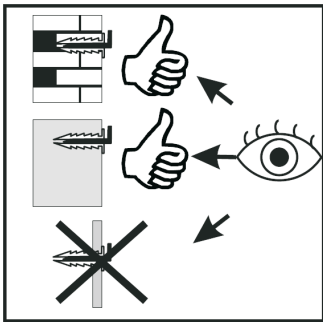
7



| | | | |
|-----|--|----|-----------|
| ZR1 | | D6 | |
| x4 | | x8 | US03,5x30 |

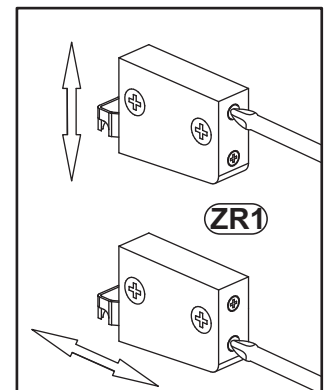
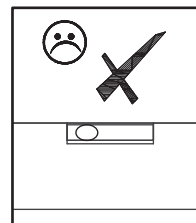
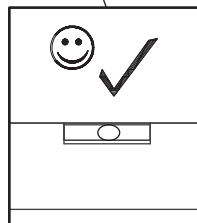
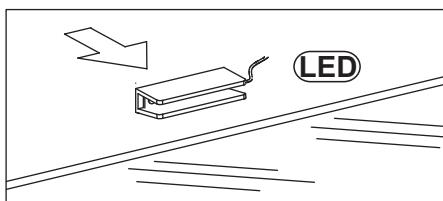
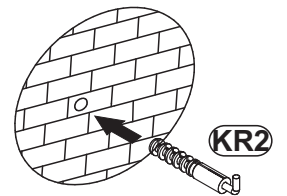
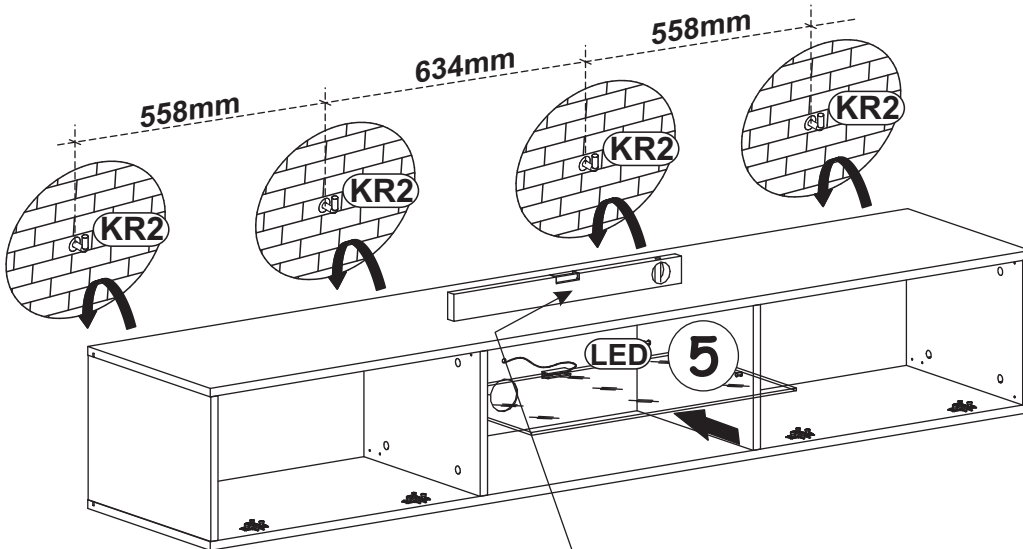


8



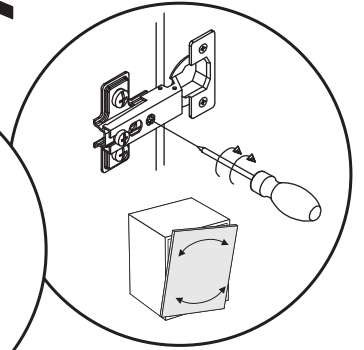
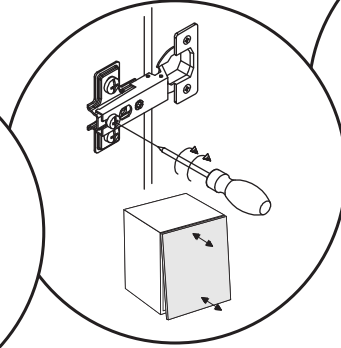
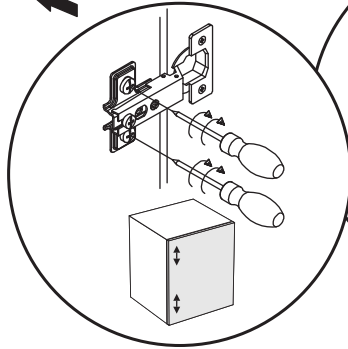
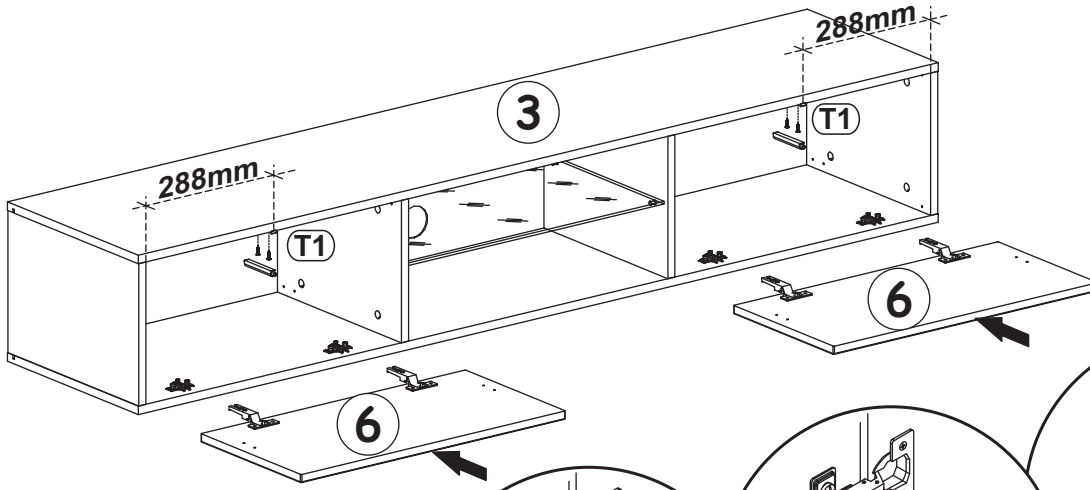
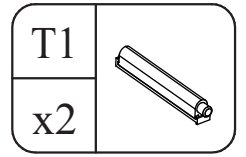
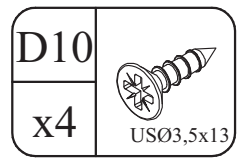
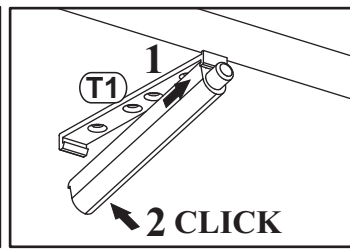
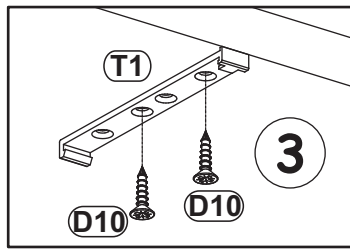
| | |
|-----|----------|
| KR2 | |
| x4 | $\phi 8$ |

| | |
|-----|----|
| LED | |
| x1 | X1 |



SWITCH RTV 3

9



10

