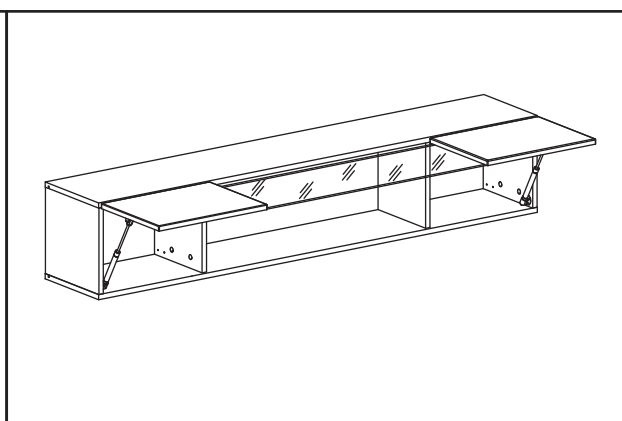
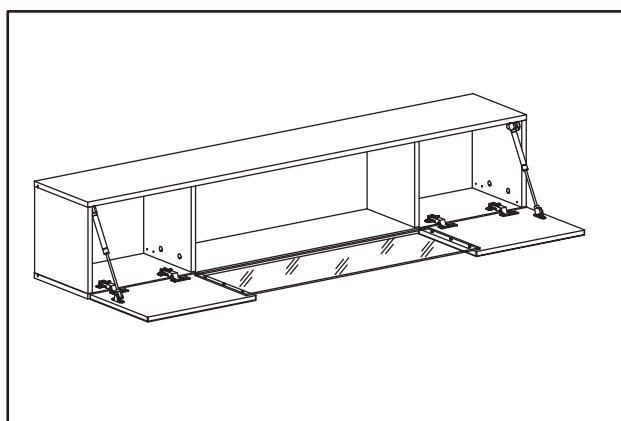
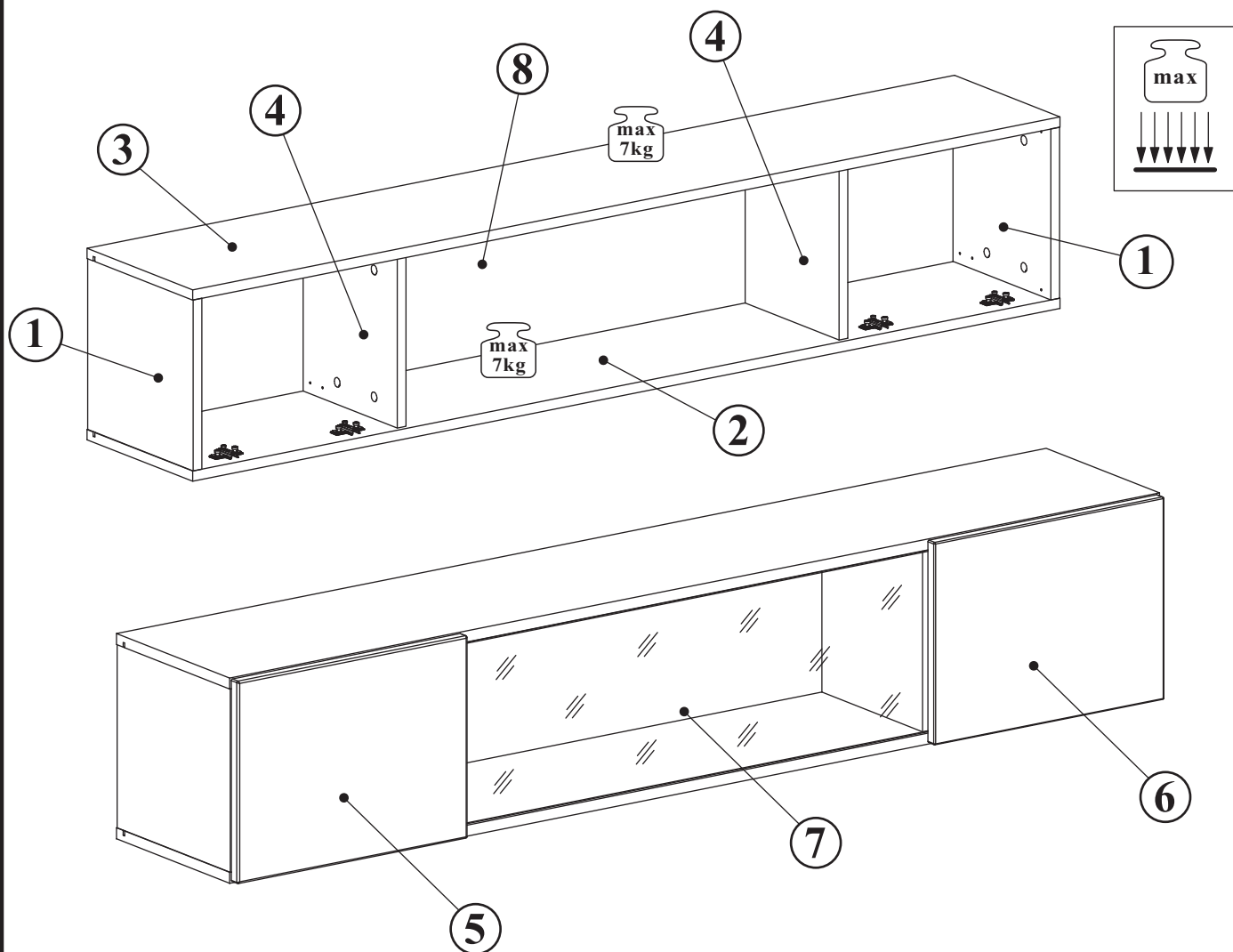
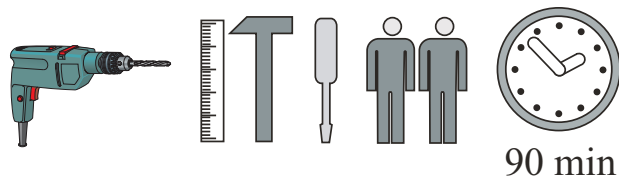


FLY TYP-52

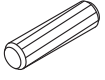
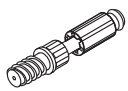


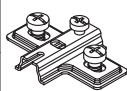
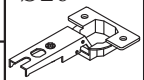


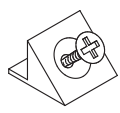
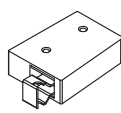
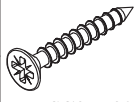
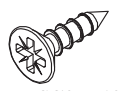




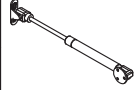


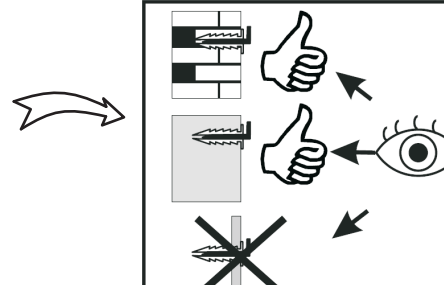
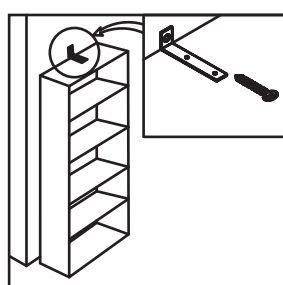
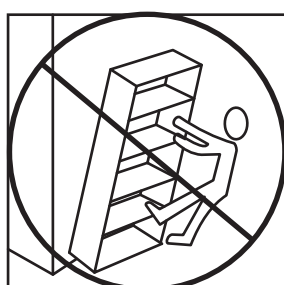
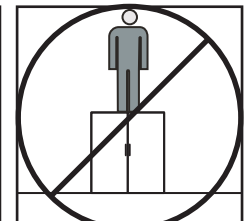
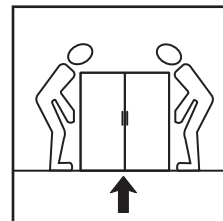
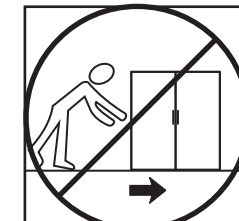
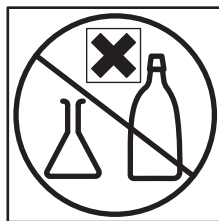
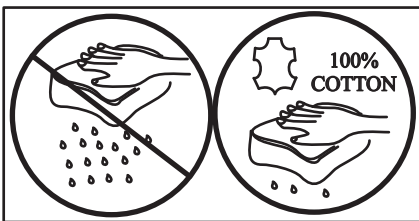
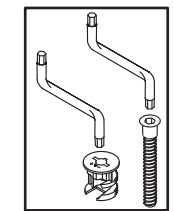
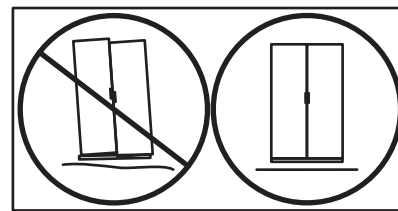
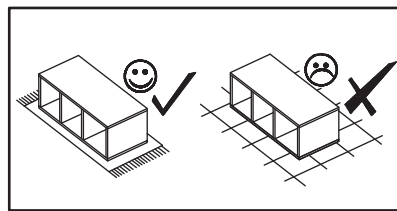
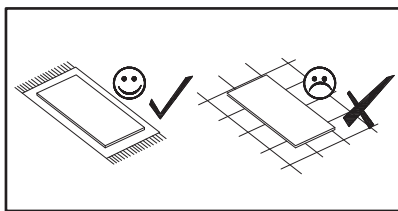
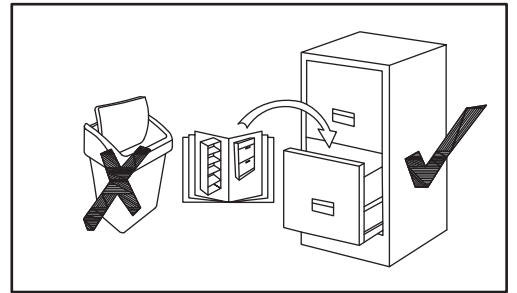
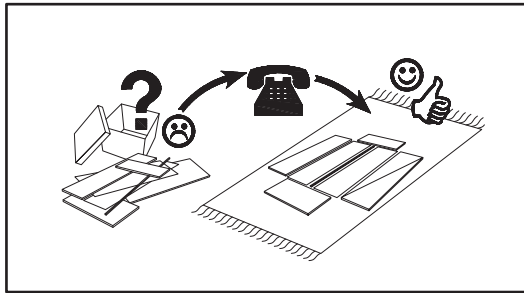
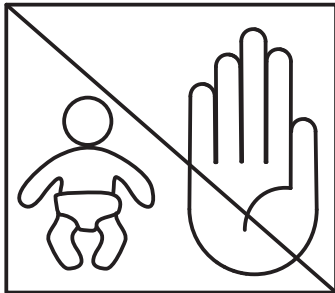
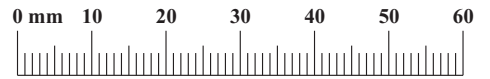
NO	Dim.		Col.-No	Qty
1	268	274	1	2
2	1602	274	1	1
3	1602	274	1	1
4	268	244	1	2
8	1580	280	1	1
5	396	296	1	1
6	396	296	1	1
7	854	264	1	1




90 min

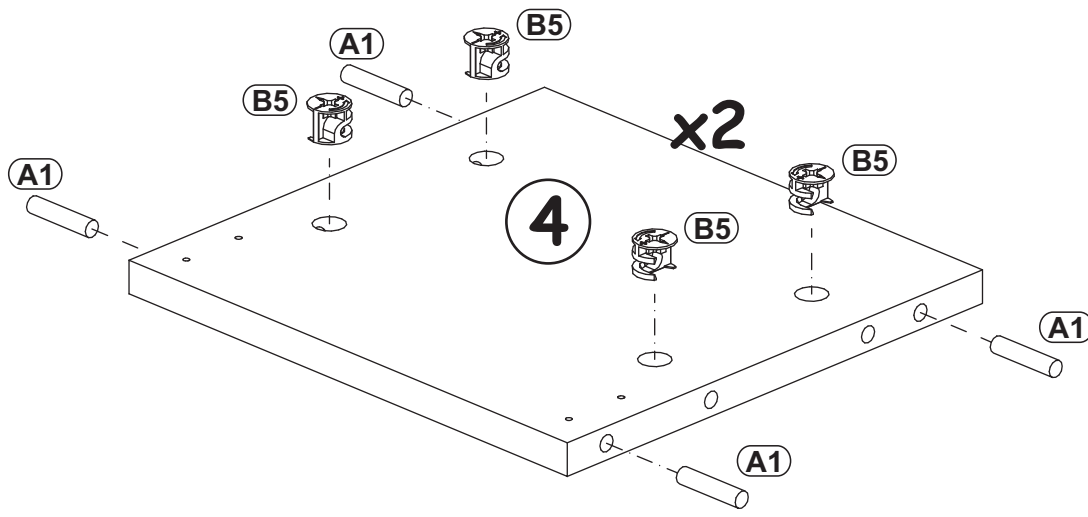
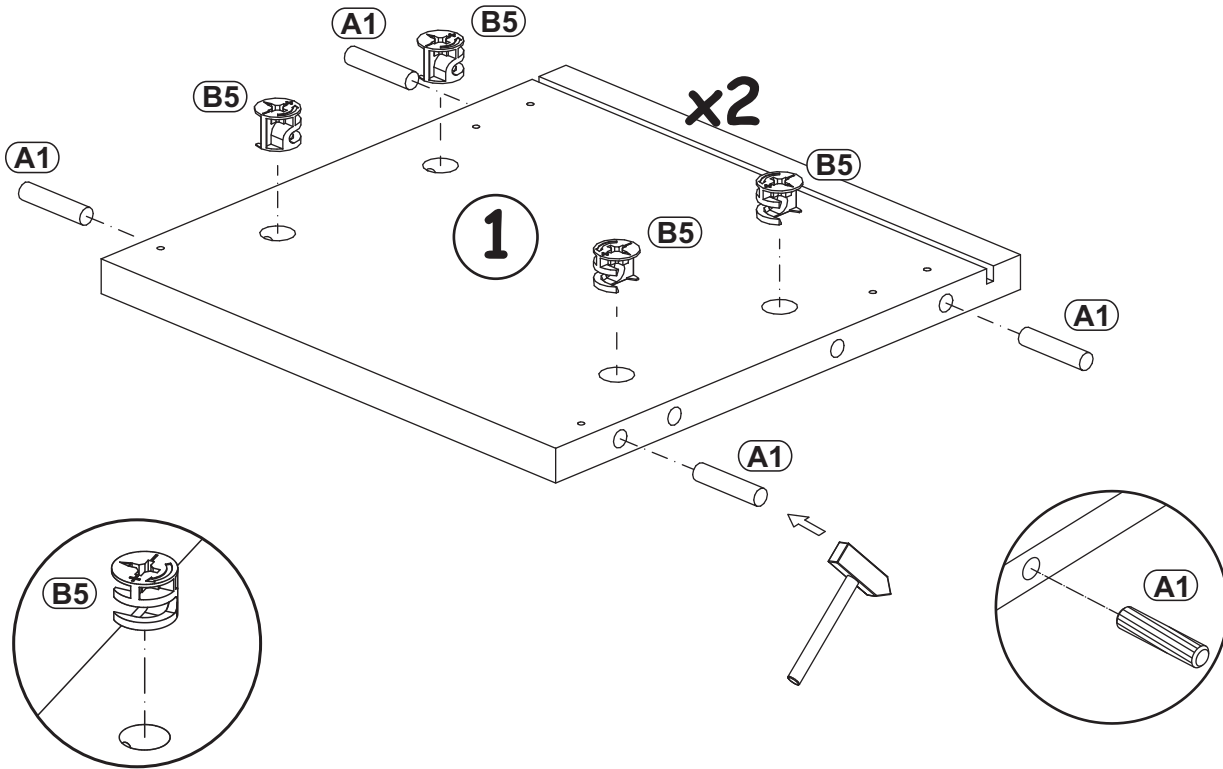
FLY TYP-52

A1 x16  ø8x36	B4 x16 	B5 x16  ø15x12	G5 x16 	E2 x4  H=0	E1 x4  Ø26 H=0
T1 x2 	BO1 x2 	S1 x12 	ZR1 x4 	D6 x8  USØ3,5x30	D10 x22  USØ3,5x13
UP13 x10  UPØ3x16	G2 x1 	KR2 x4 	P2 x6 	BP1 x2 	

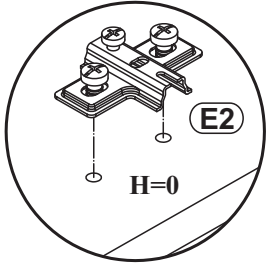


B5		A1	
x16	ø15x12	x16	ø8x36

1

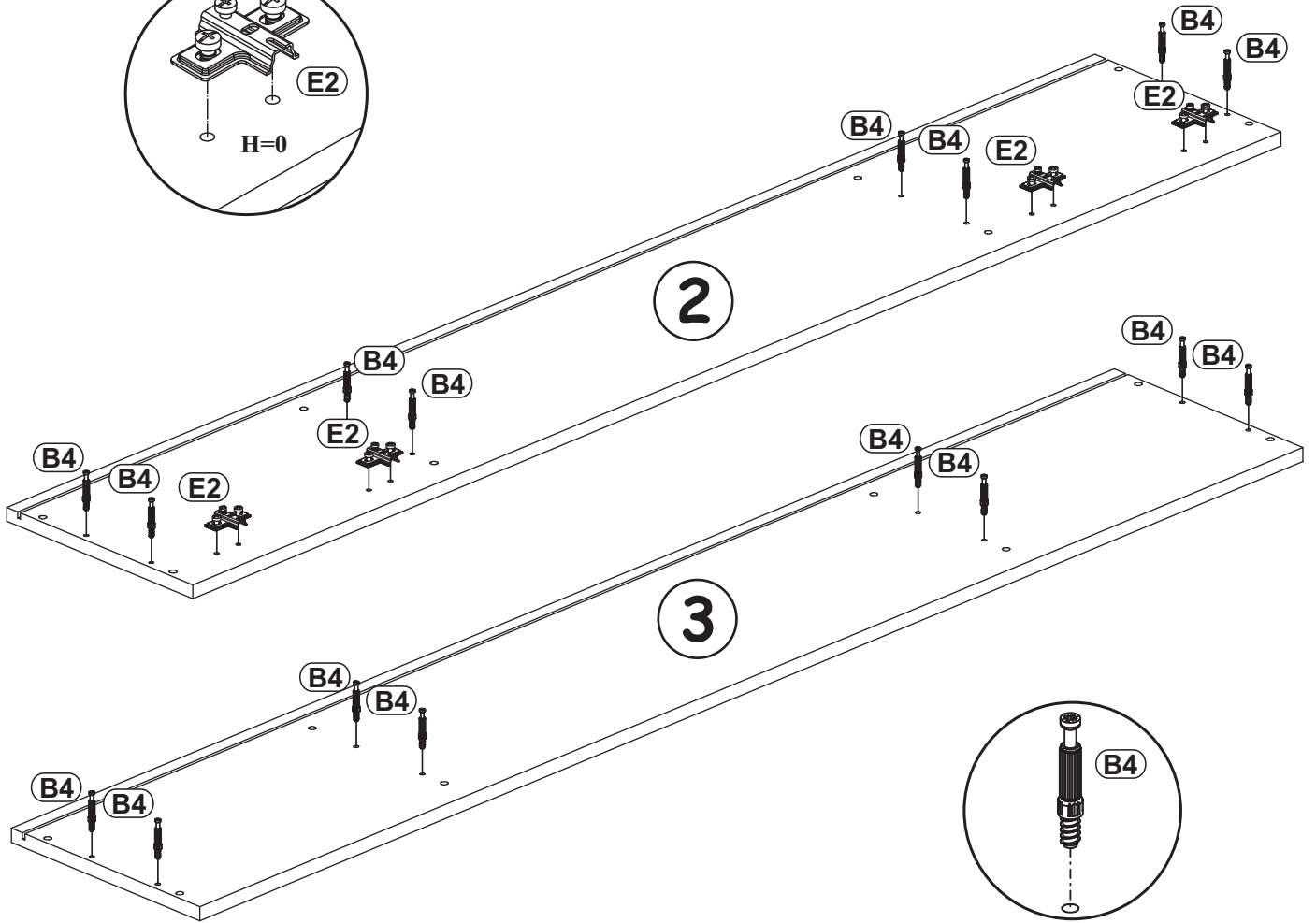


2

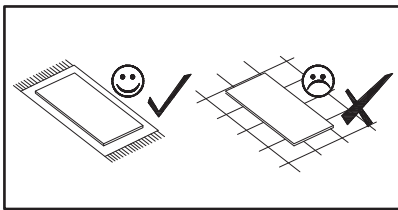


E2	
x4	H=0

B4	
x16	

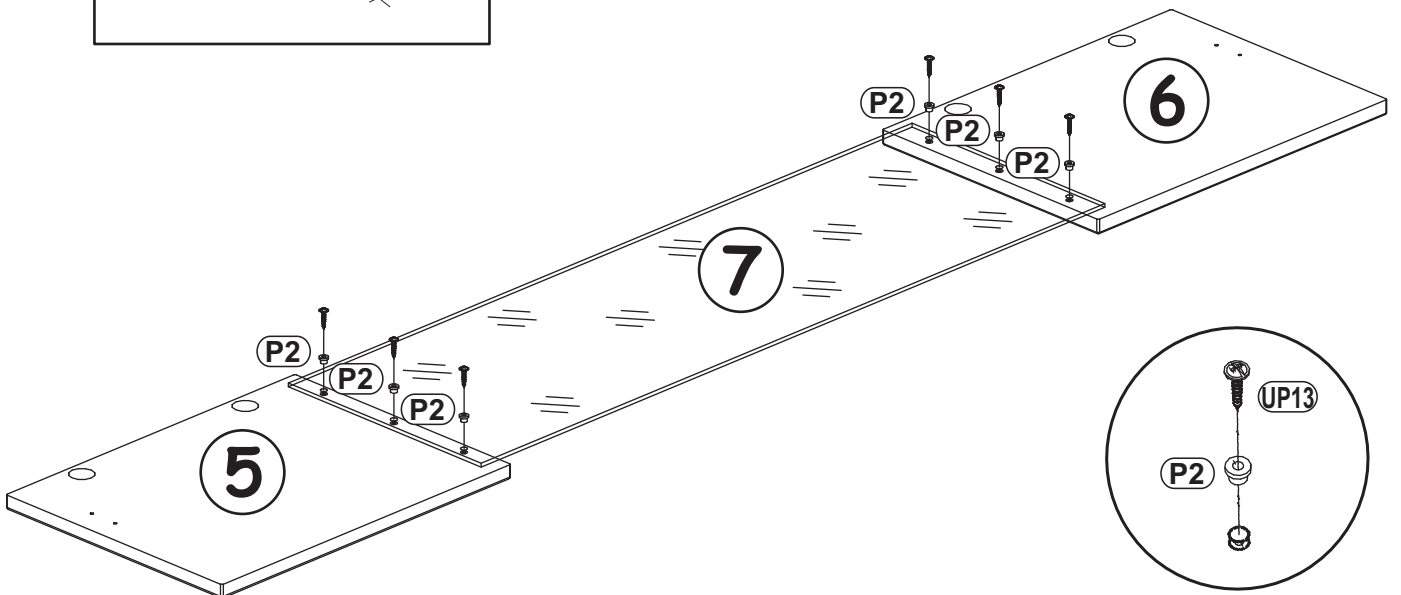


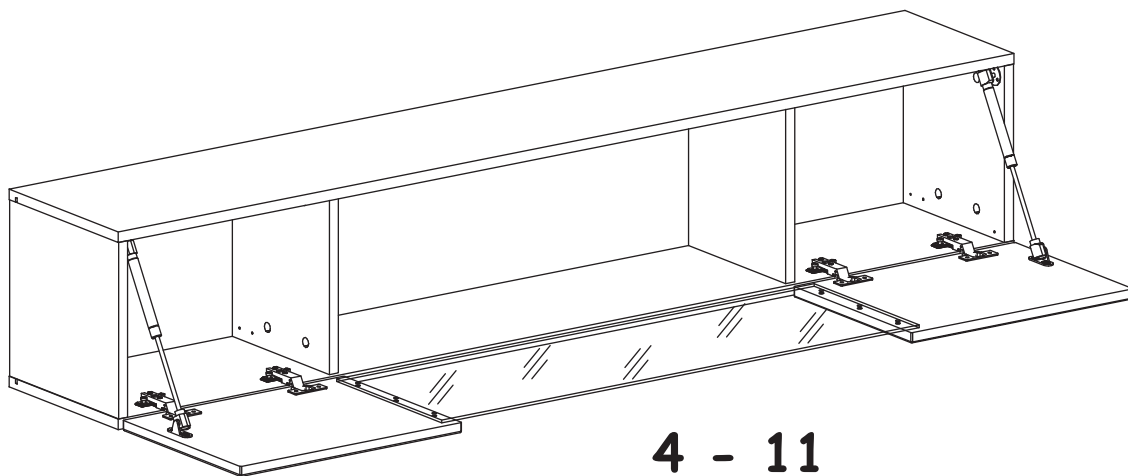
3



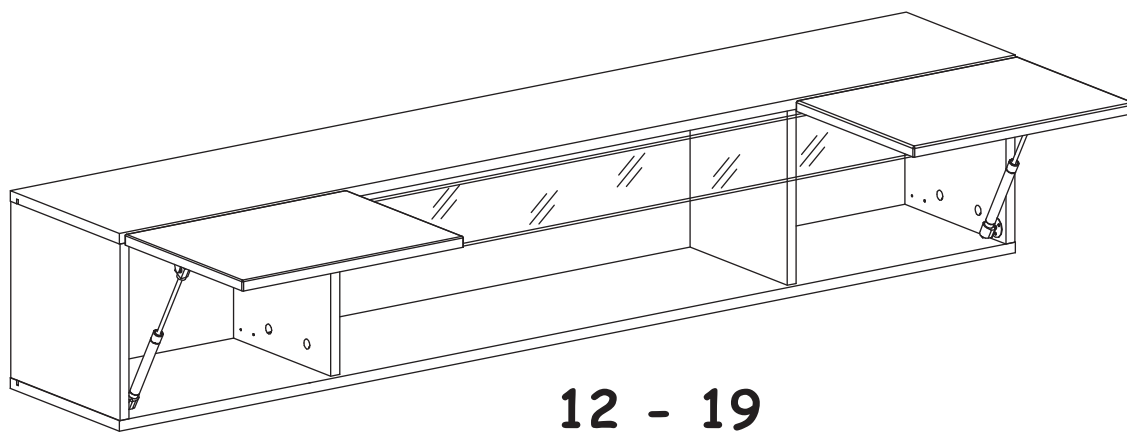
UP13	
x6	UPØ3x16

P2	
x6	

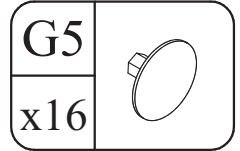




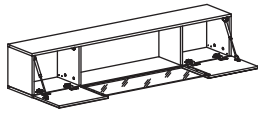
4 - 11



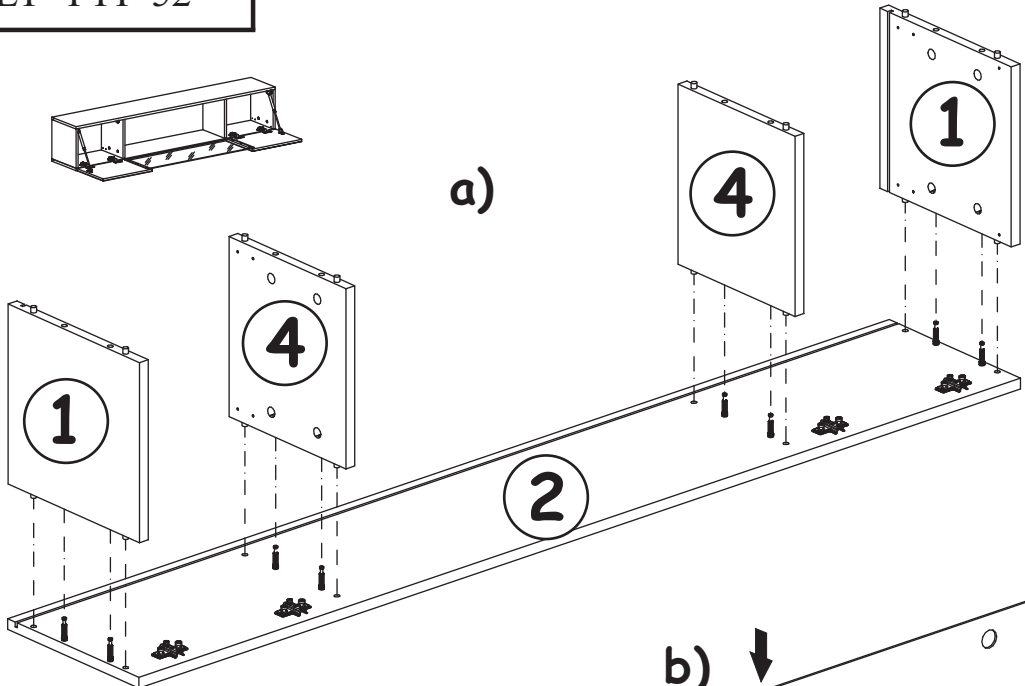
12 - 19



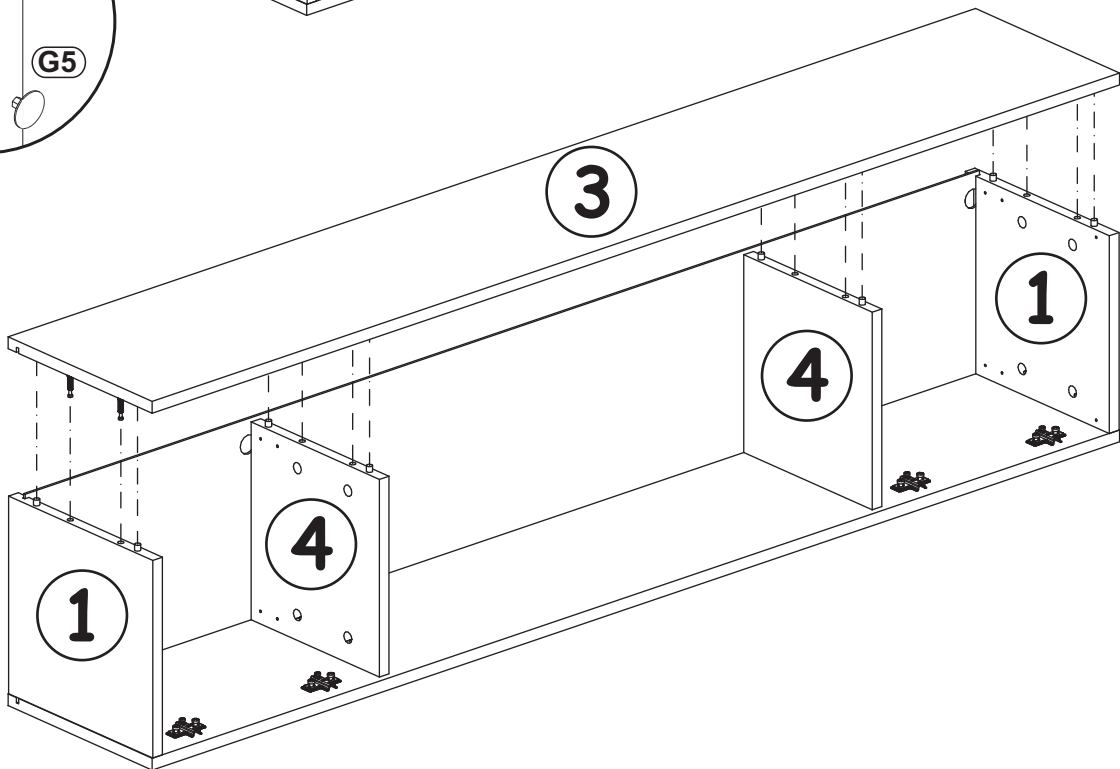
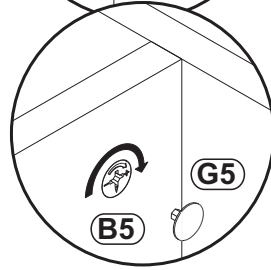
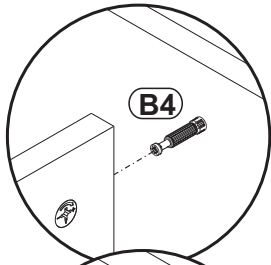
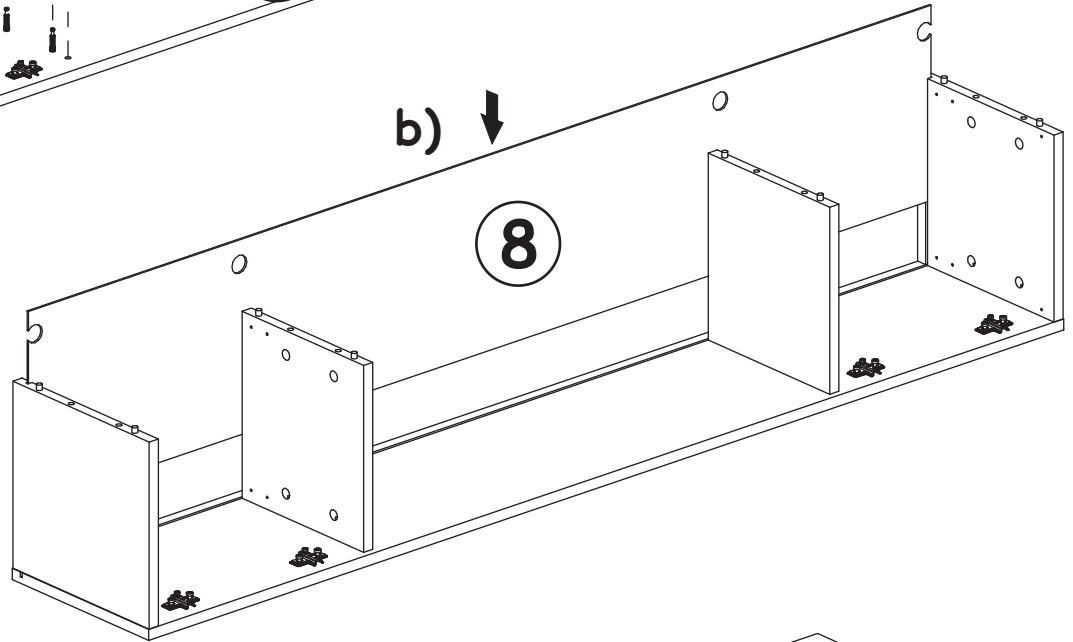
4



a)

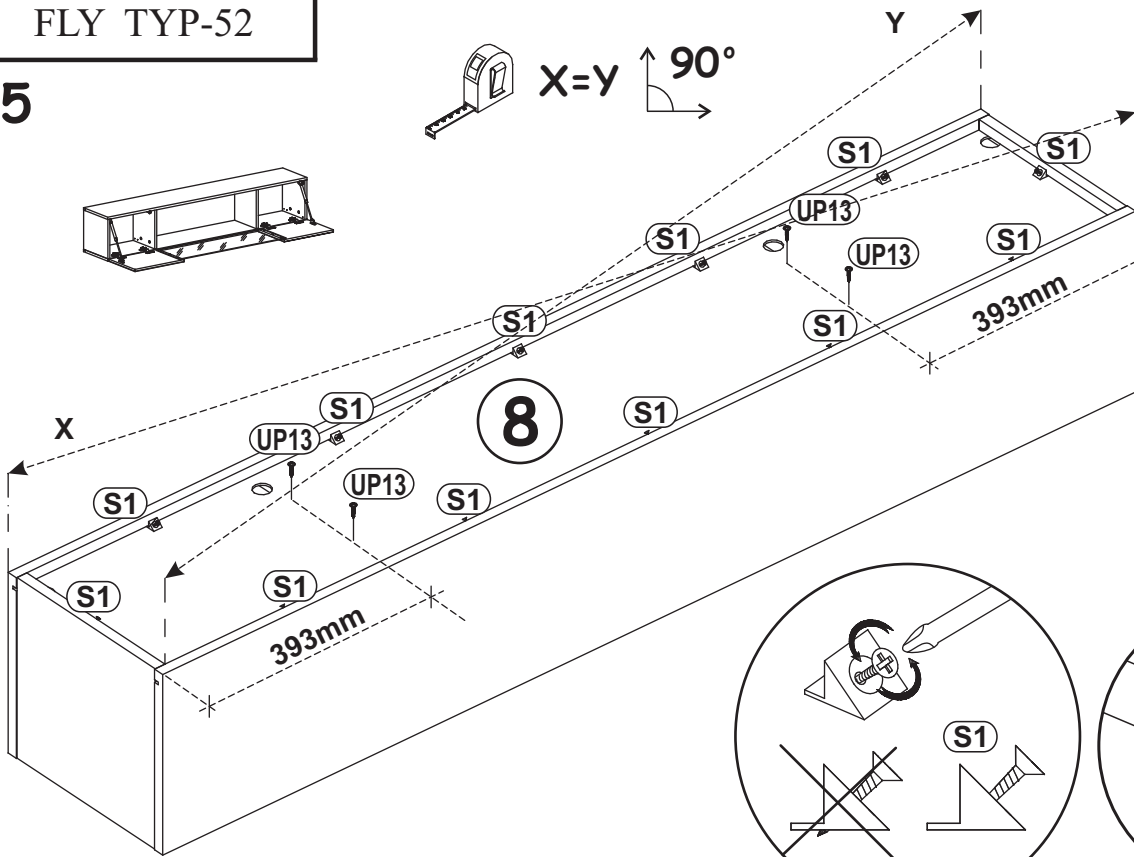


b) ↓



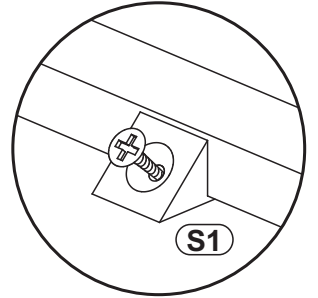
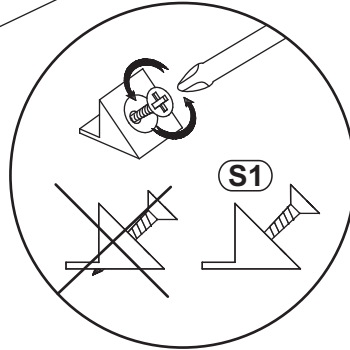
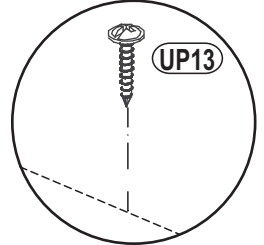
FLY TYP-52

5

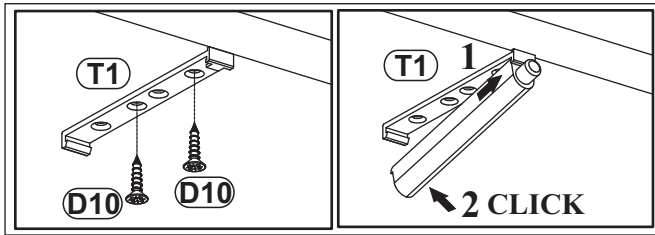


UP13	
x4	UPØ3x16

S1	
x12	



6

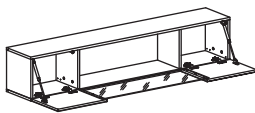
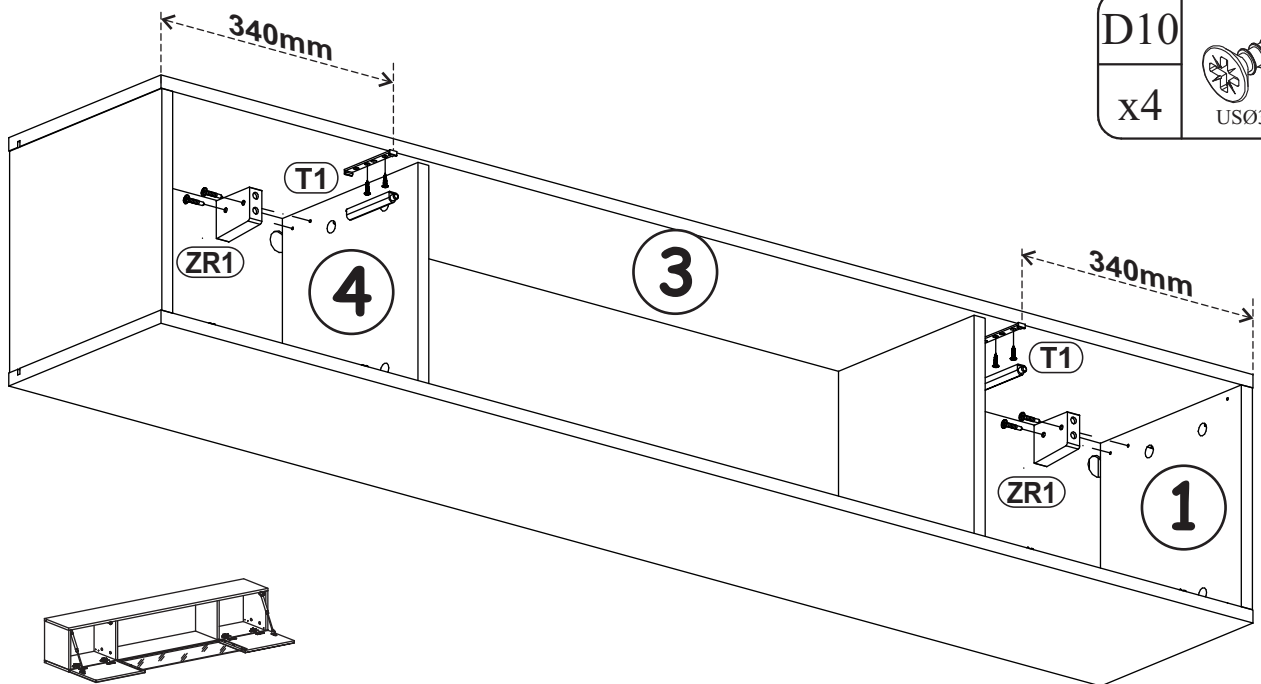


ZR1	
x2	

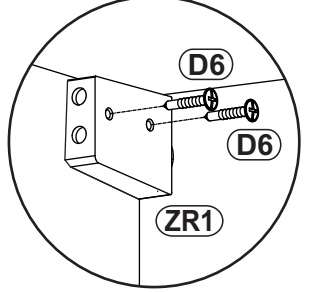
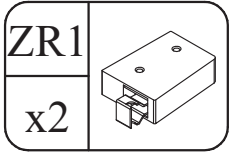
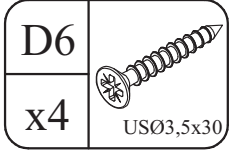
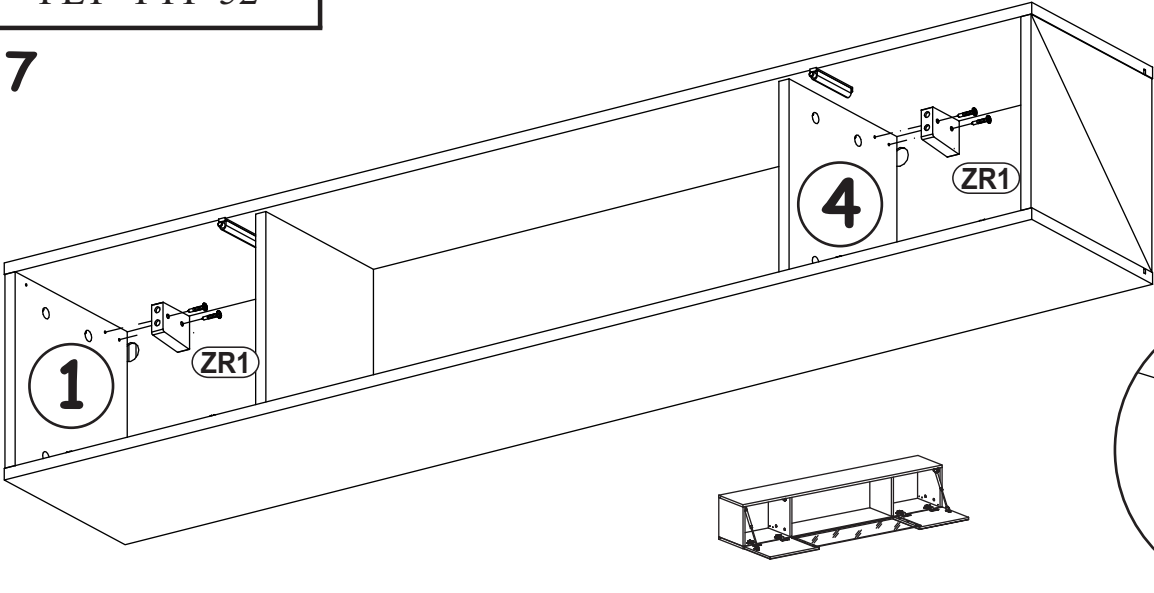
D6	
x4	USØ3,5x30

T1	
x2	

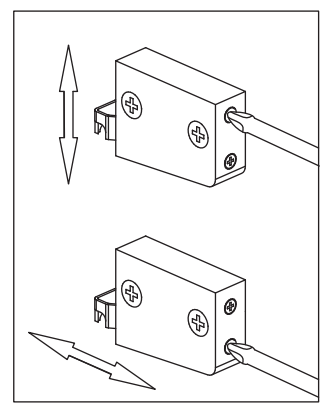
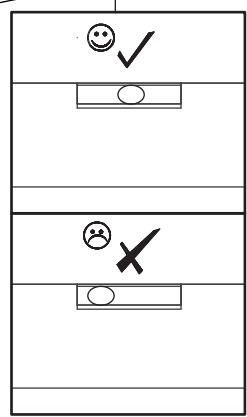
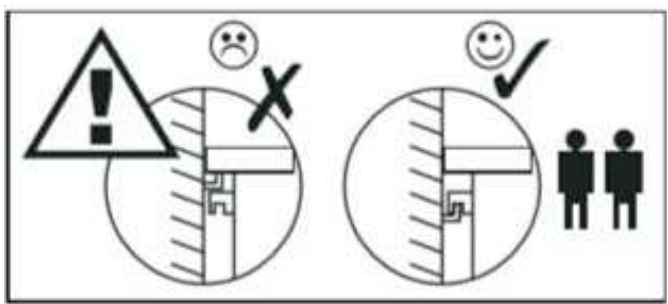
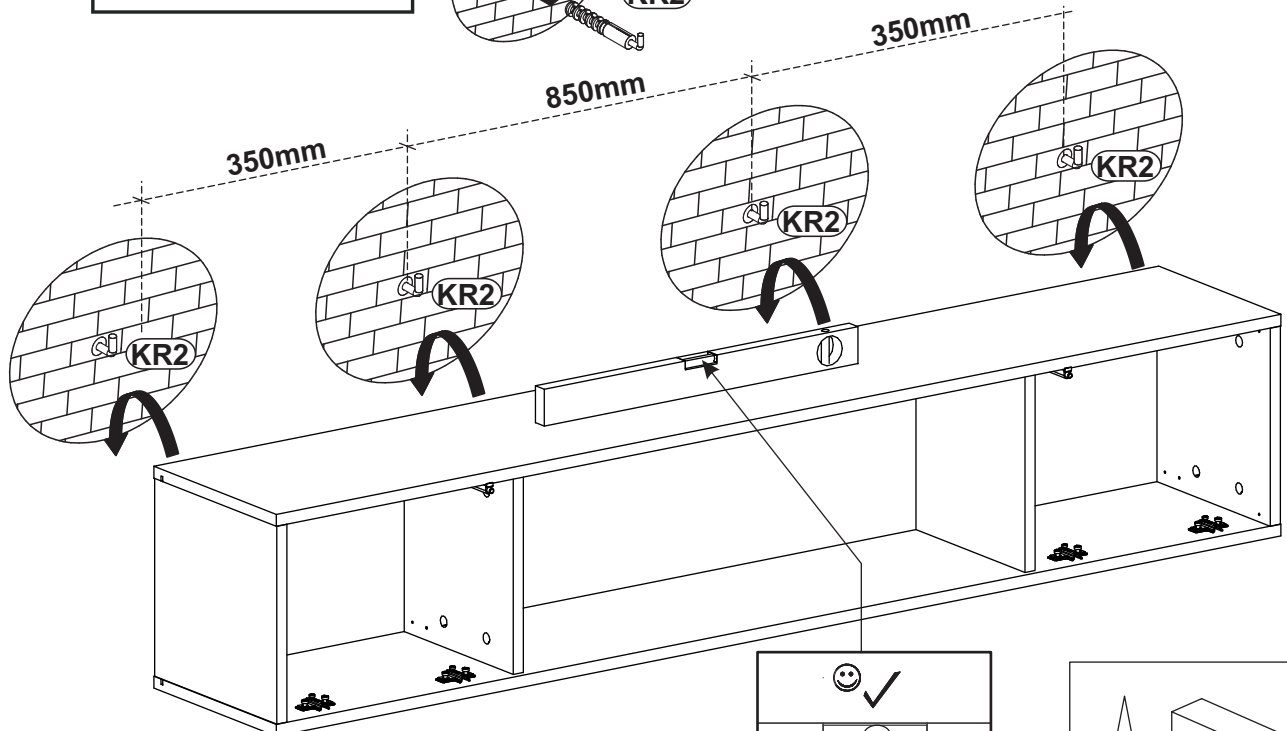
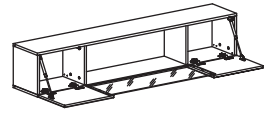
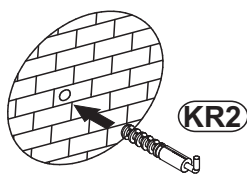
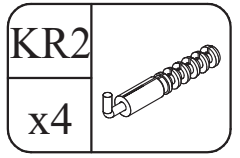
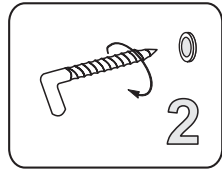
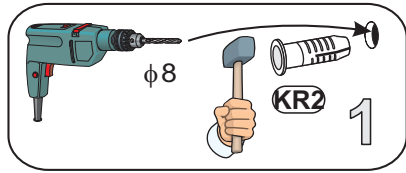
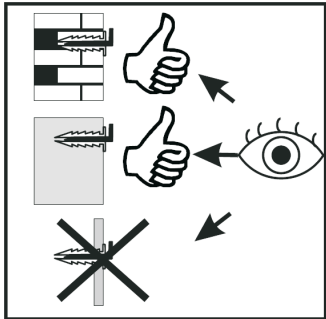
D10	
x4	USØ3,5x13



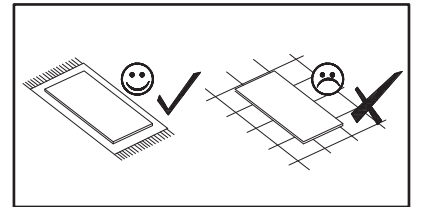
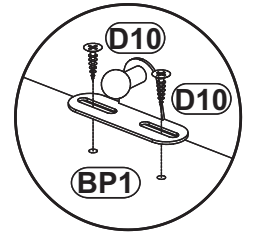
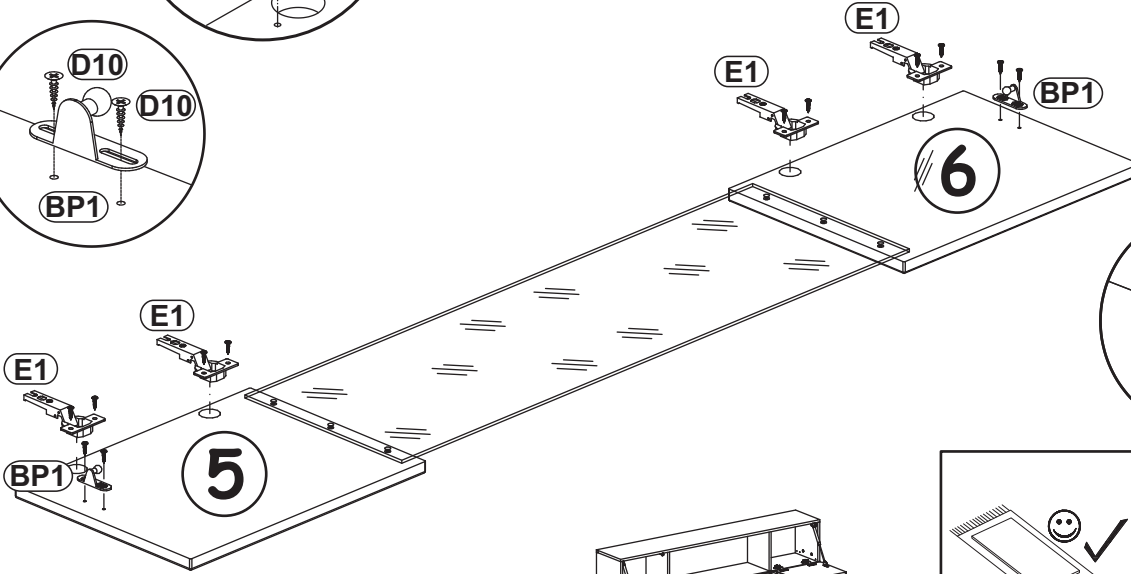
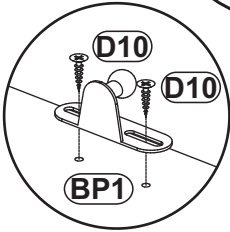
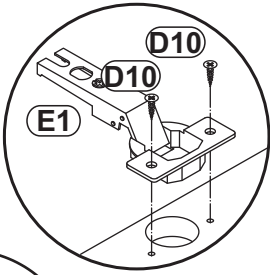
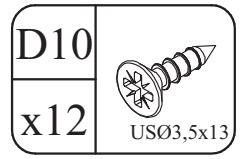
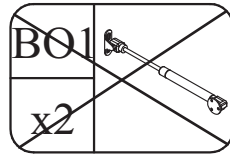
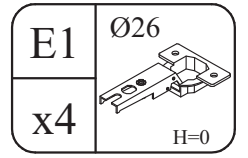
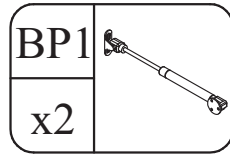
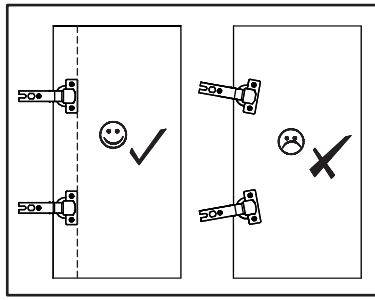
7



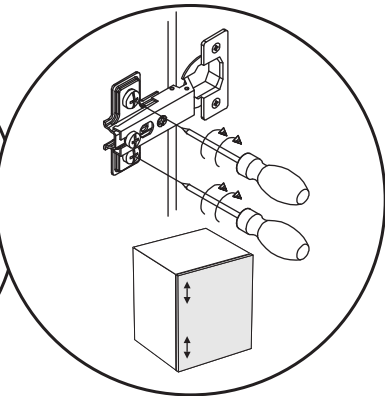
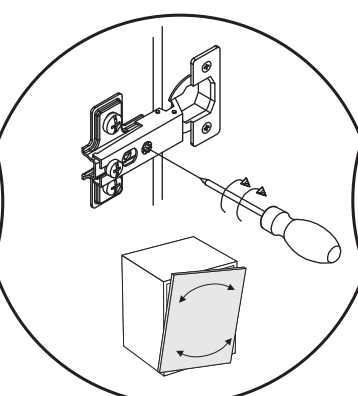
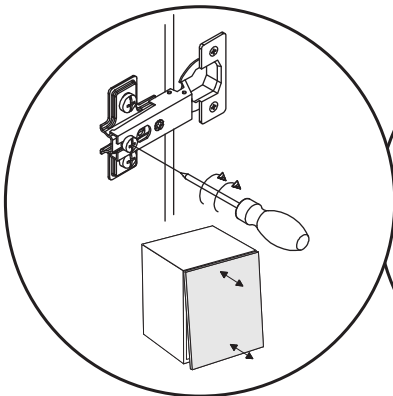
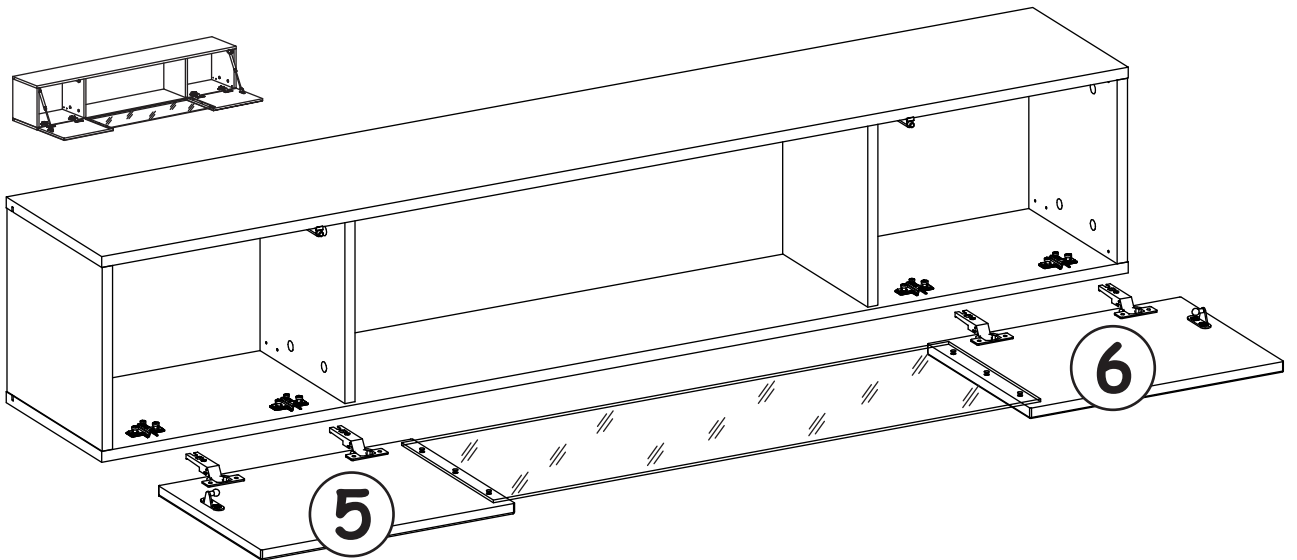
8




9

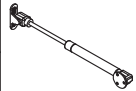


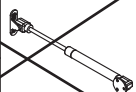
10

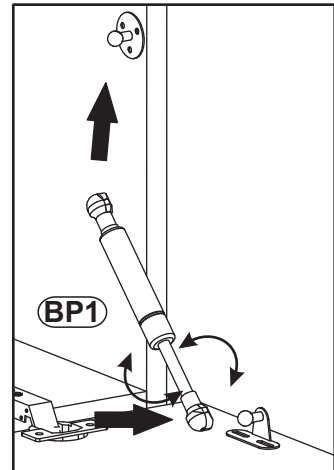
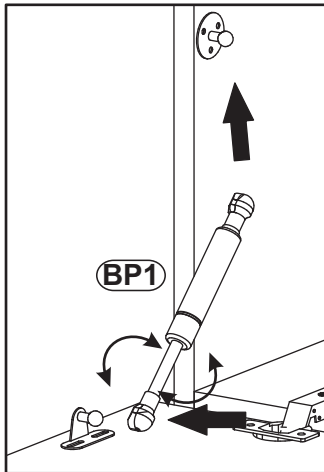
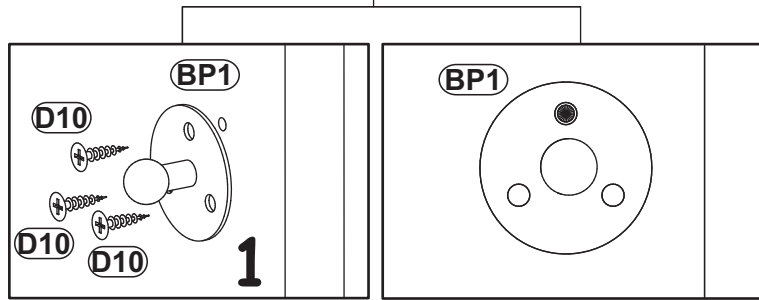
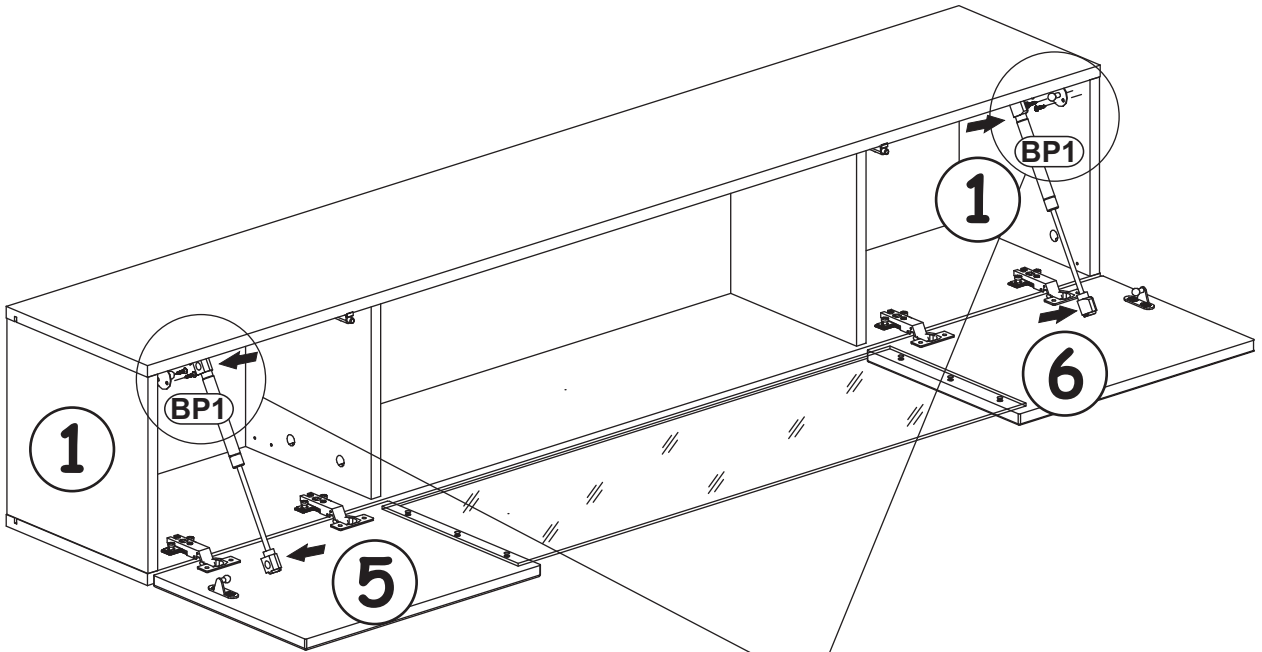
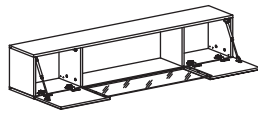


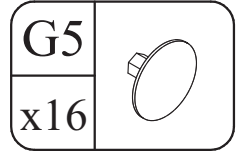
11

D10	
x6	USØ3,5x13

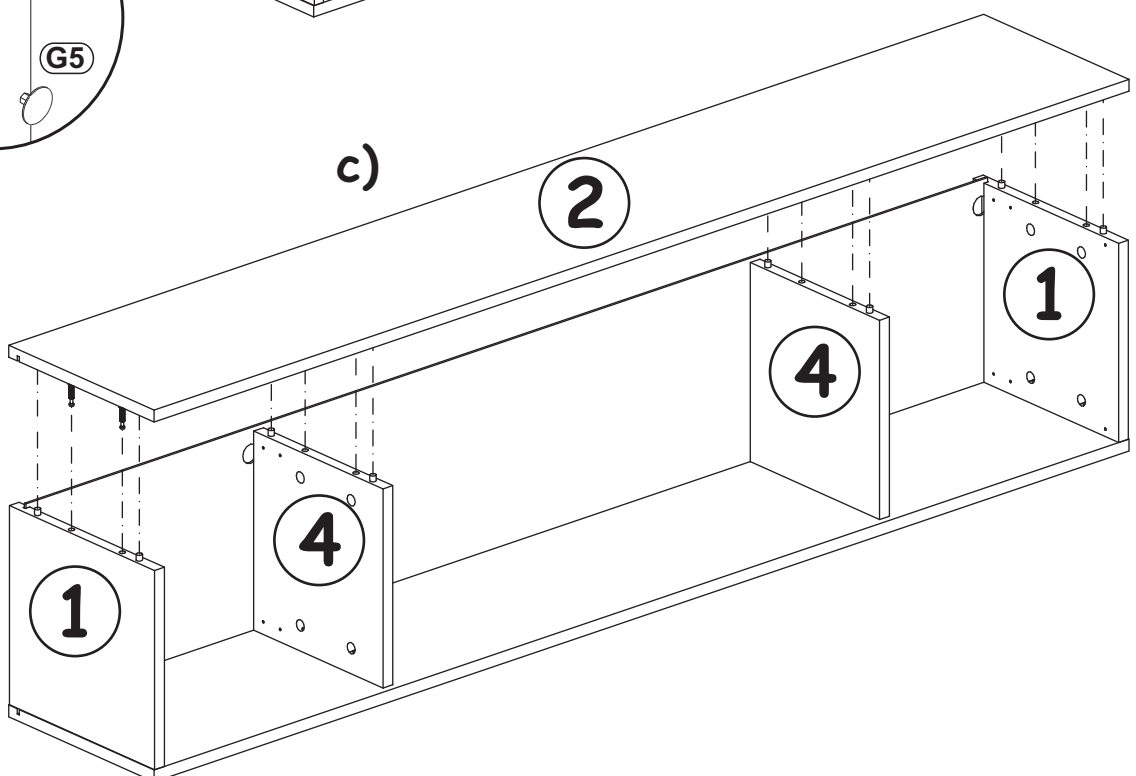
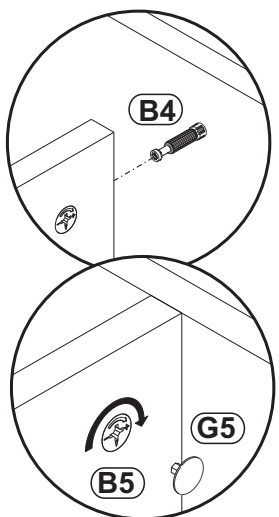
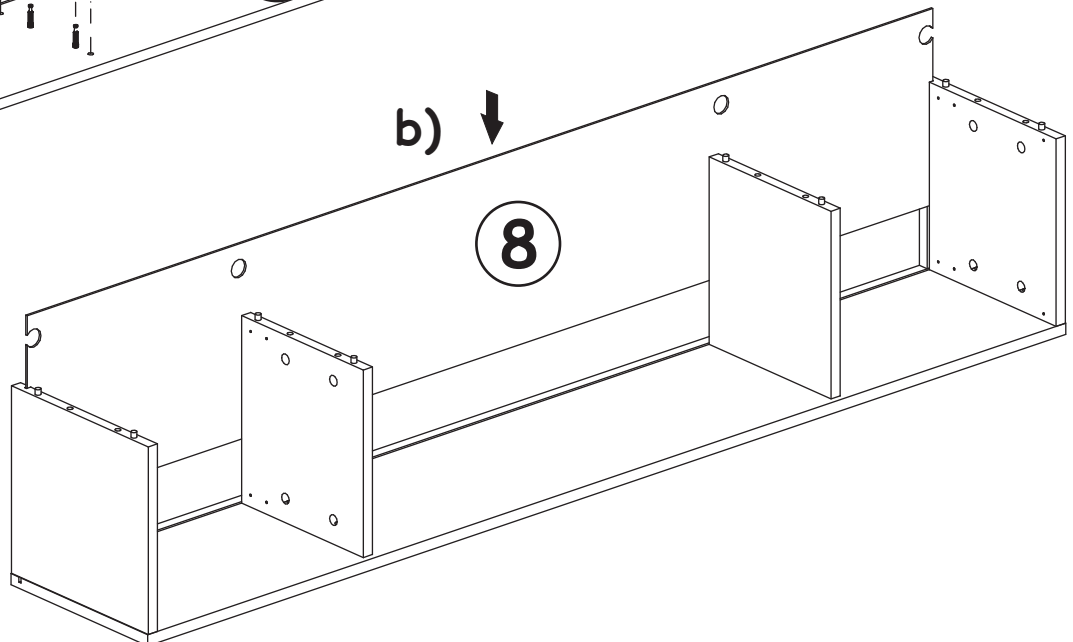
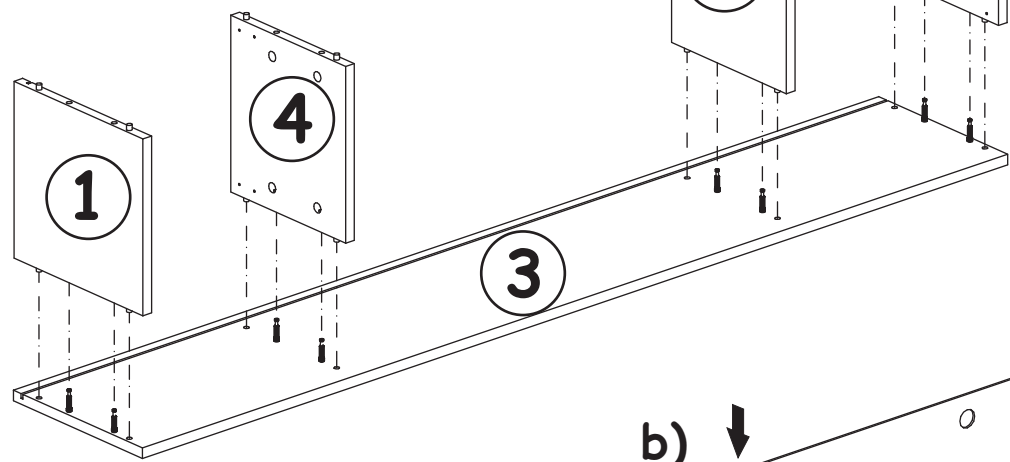
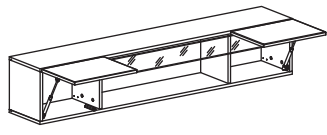
BP1	
x2	

BO1	
x2	

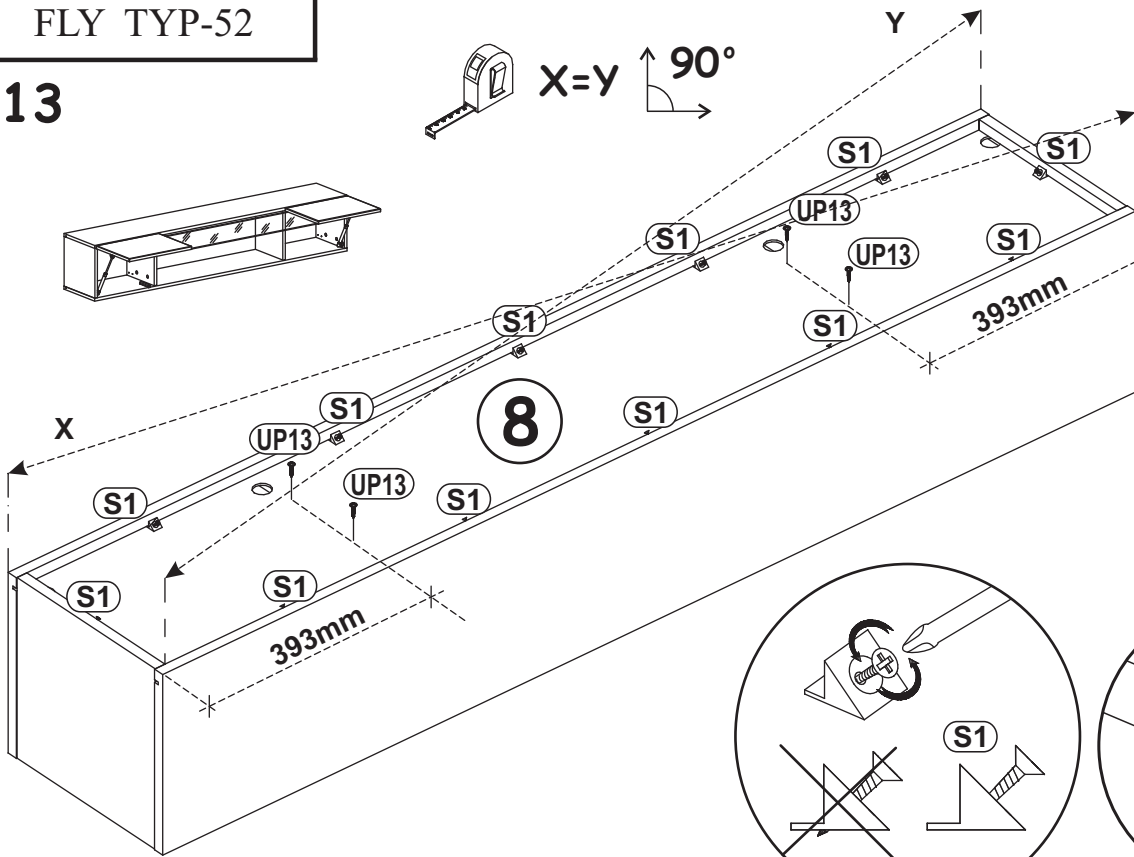




12

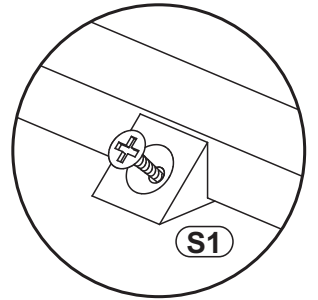
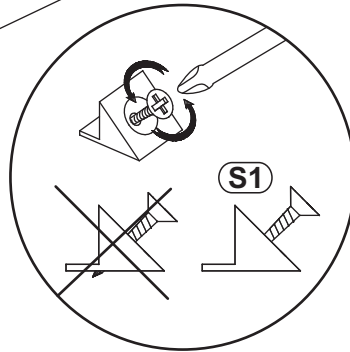
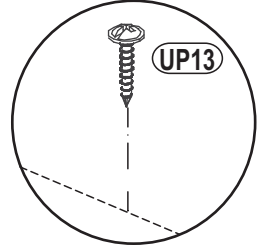


13

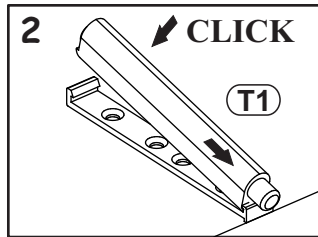
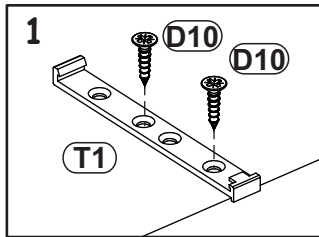


UP13	
x4	UP03x16

S1	
x12	



14

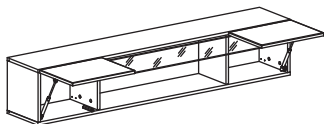
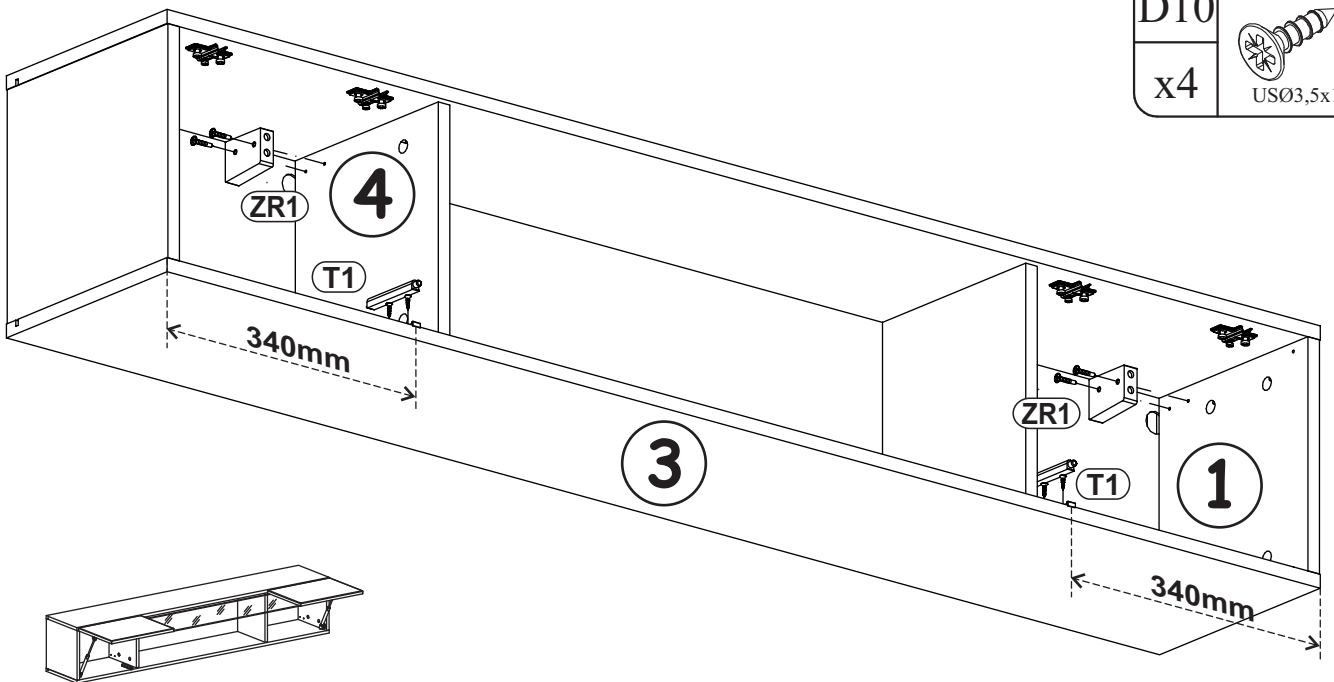


ZR1	
x2	

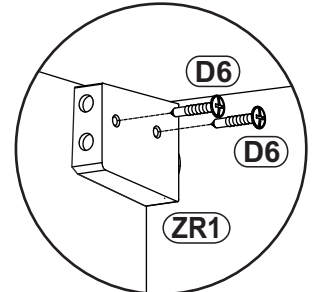
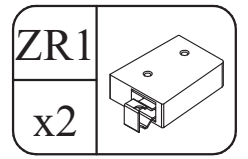
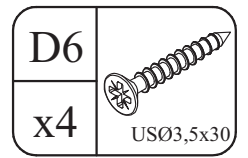
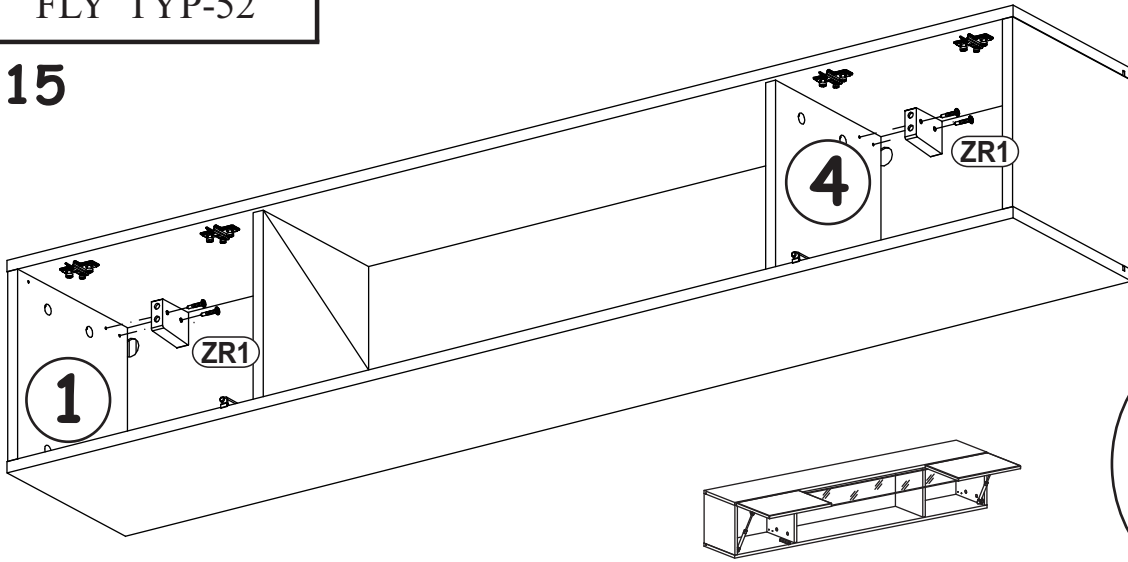
D6	
x4	US03,5x30

T1	
x2	

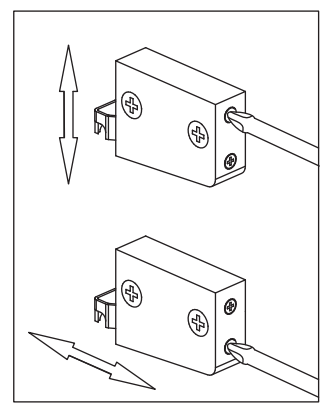
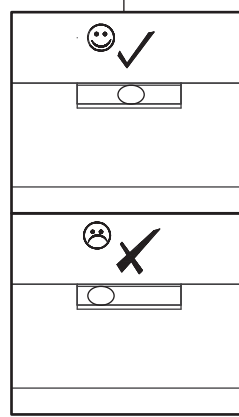
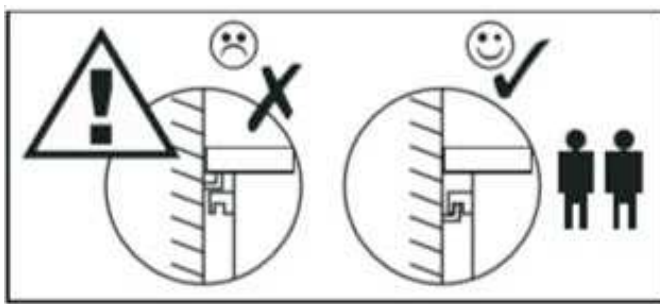
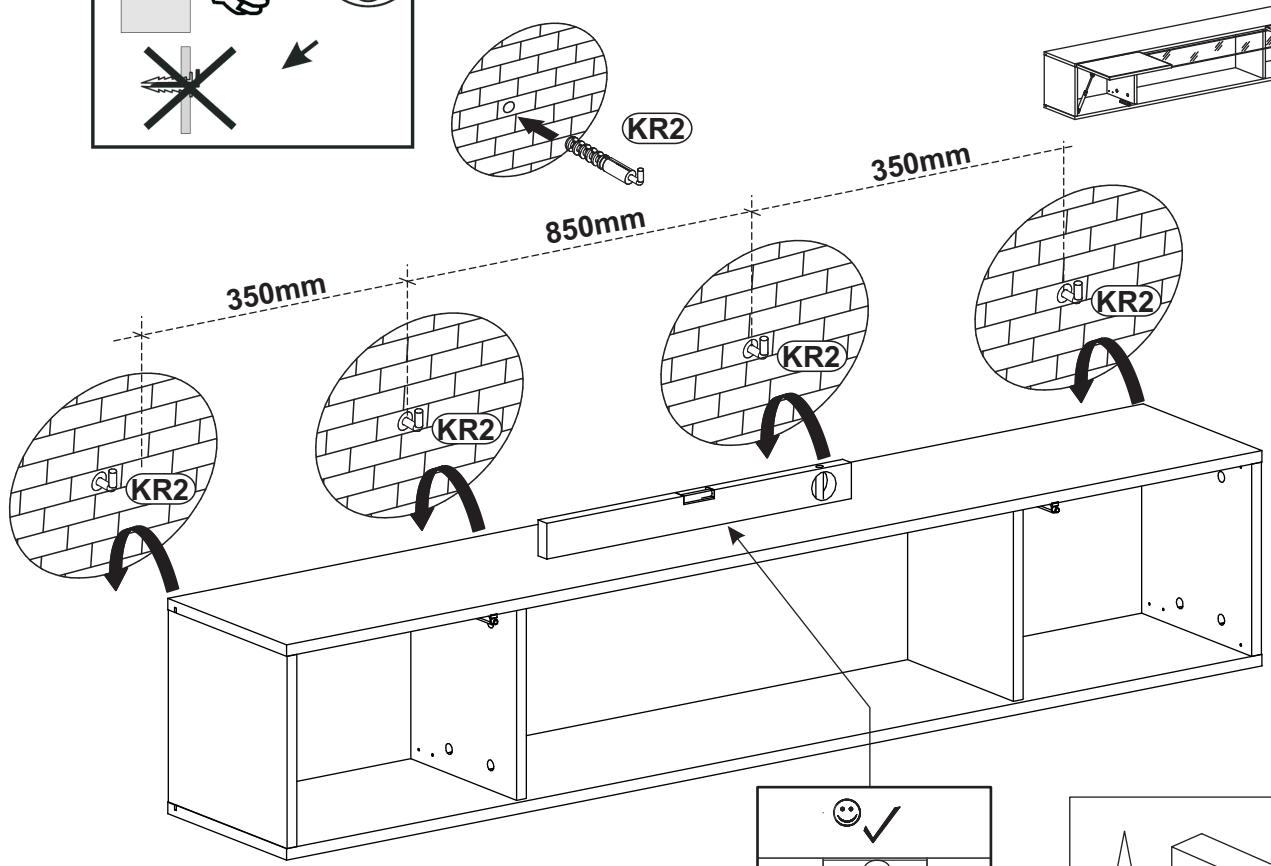
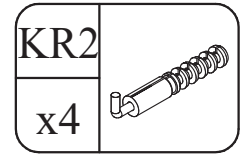
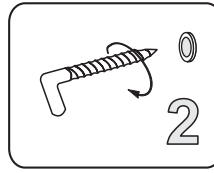
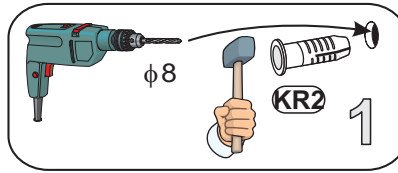
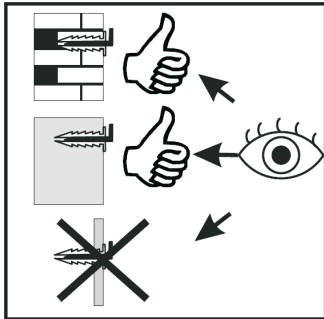
D10	
x4	US03,5x13



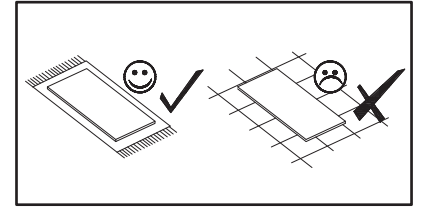
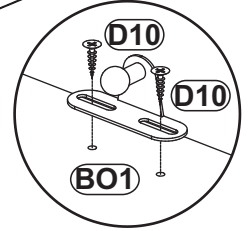
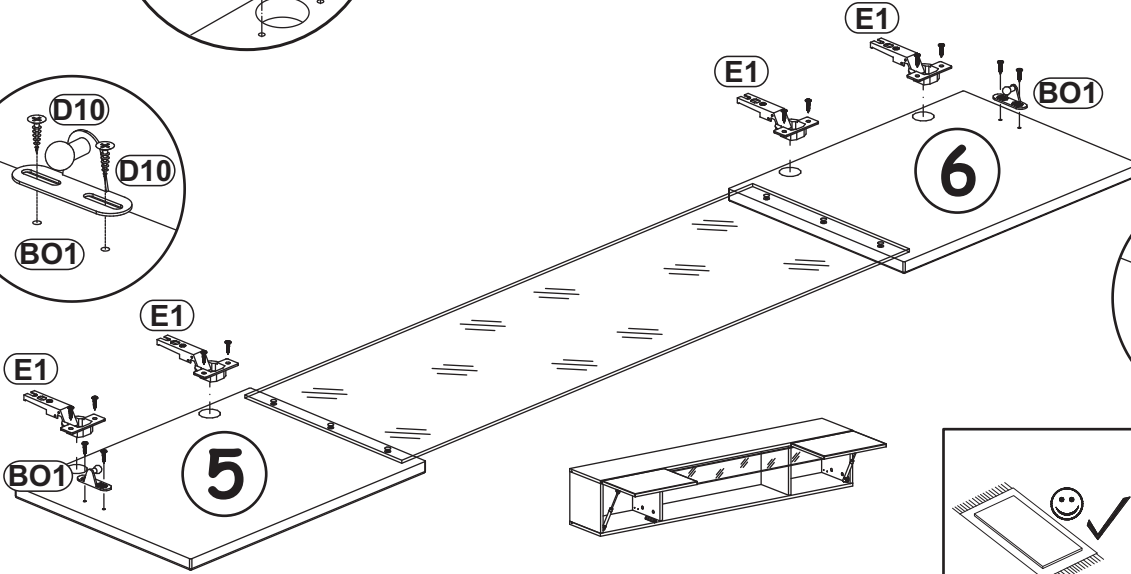
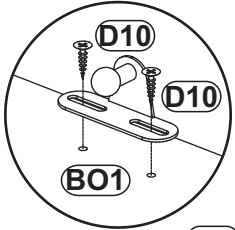
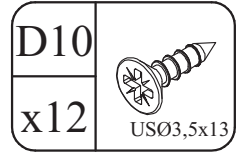
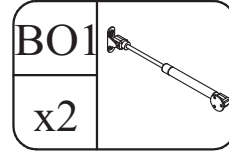
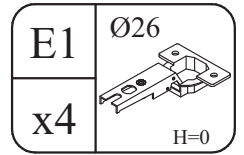
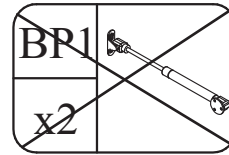
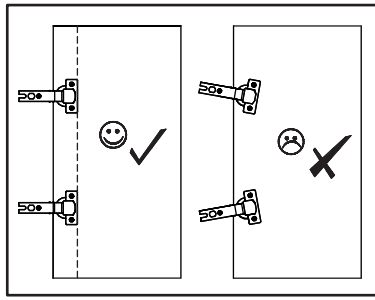
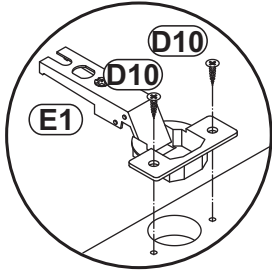
15



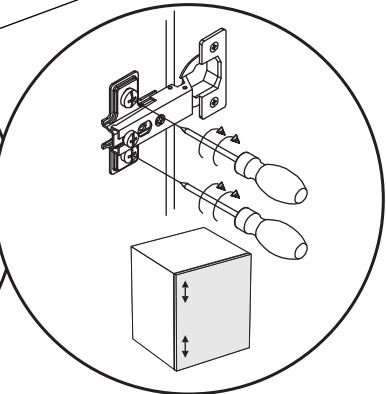
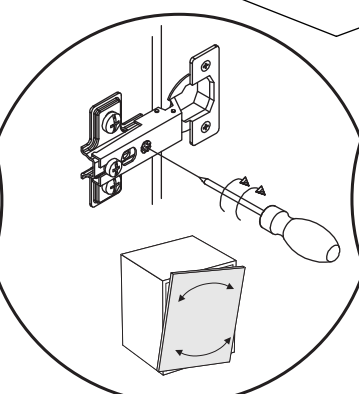
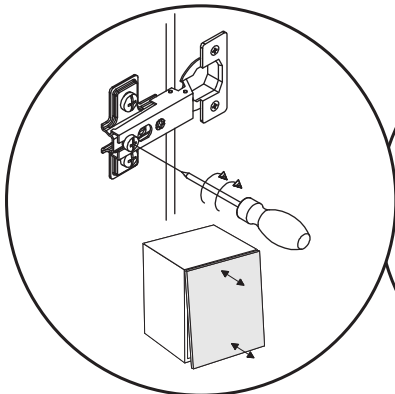
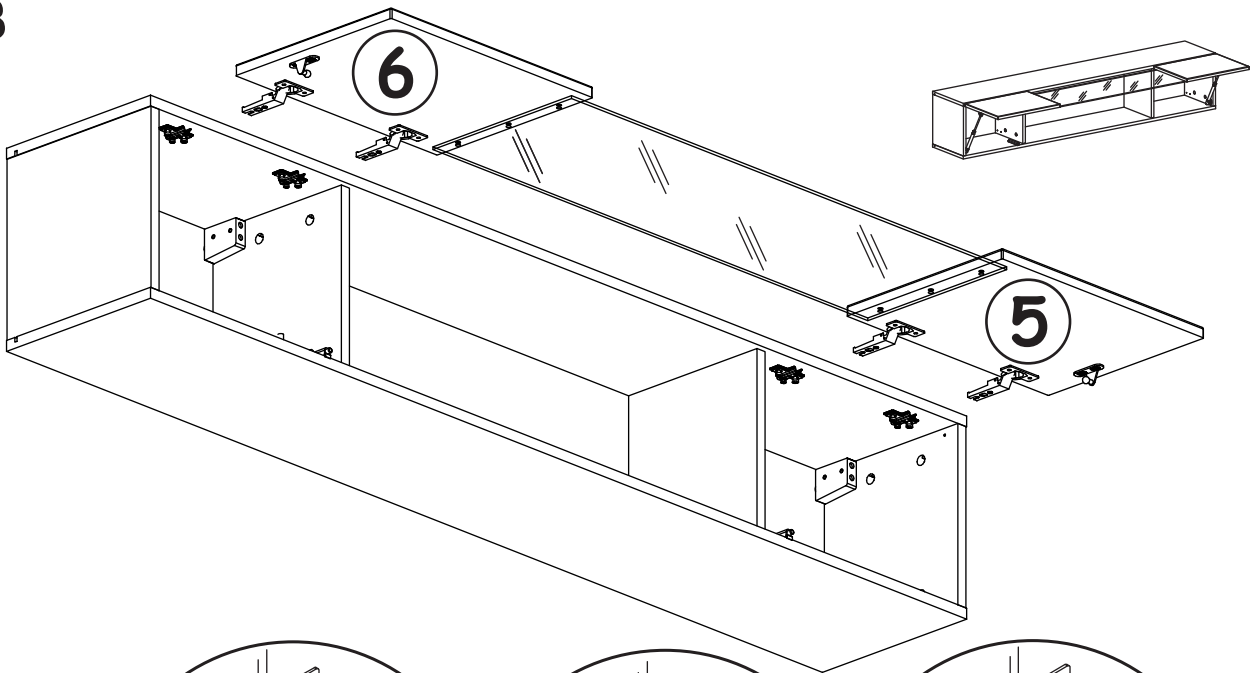
16



17



18



FLY TYP-52

