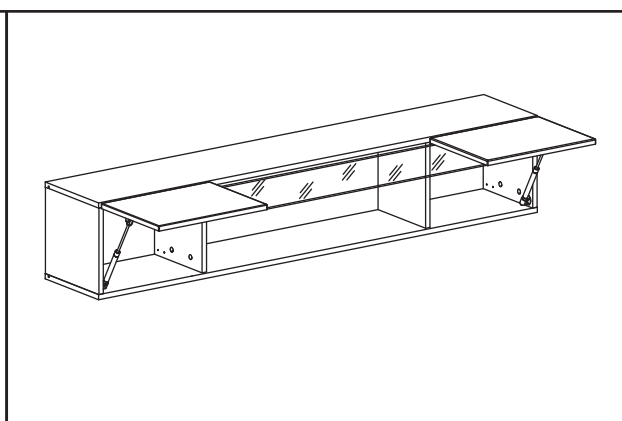
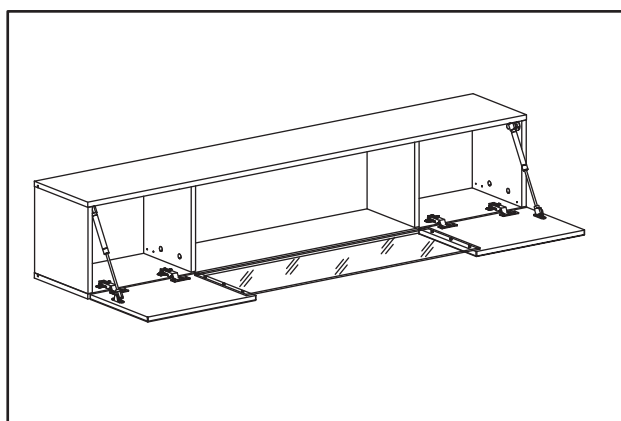
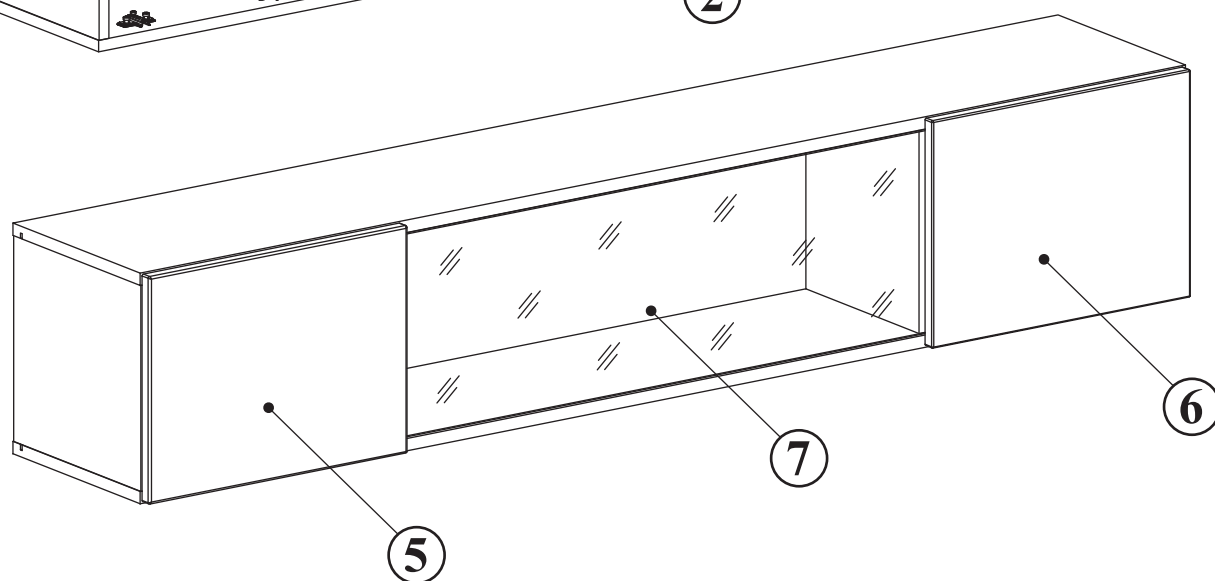
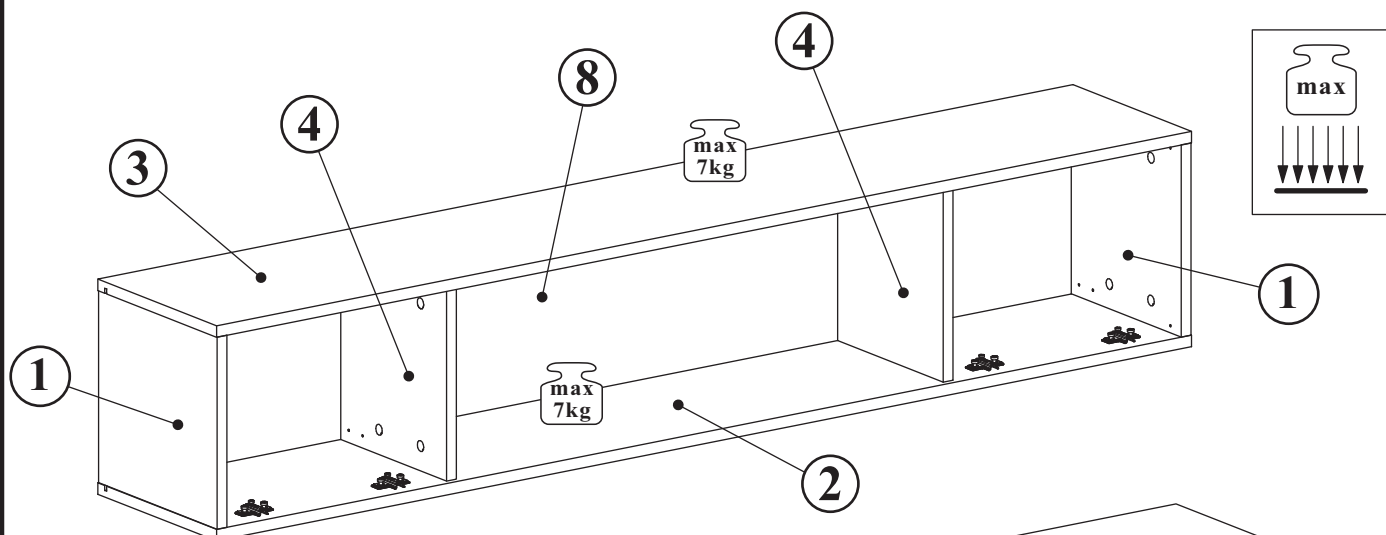
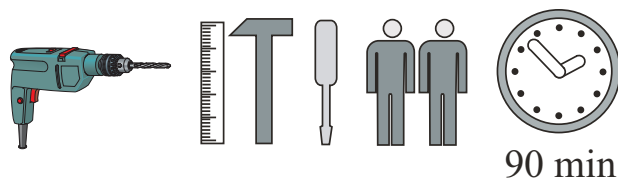


FLY TYP-52

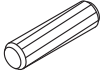
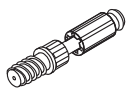


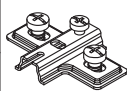
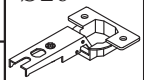


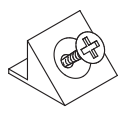
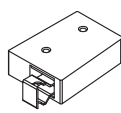
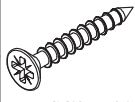
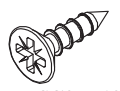




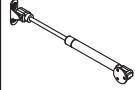


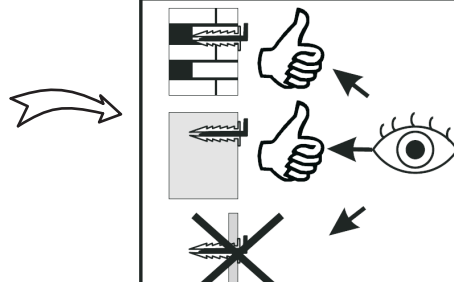
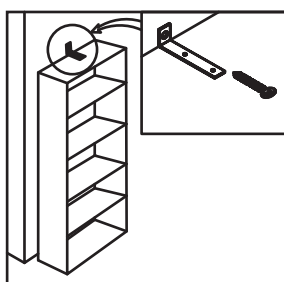
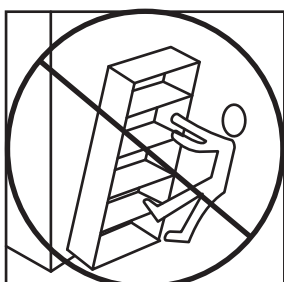
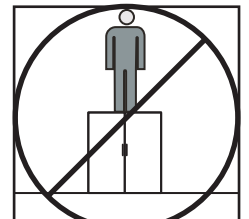
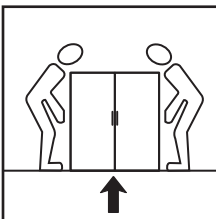
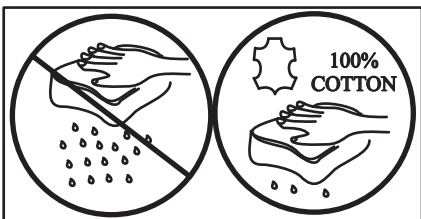
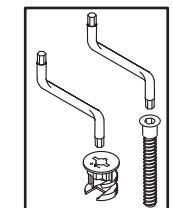
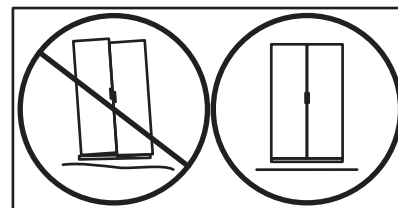
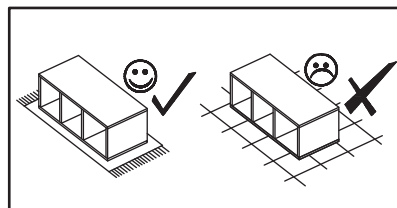
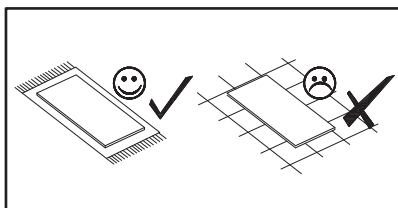
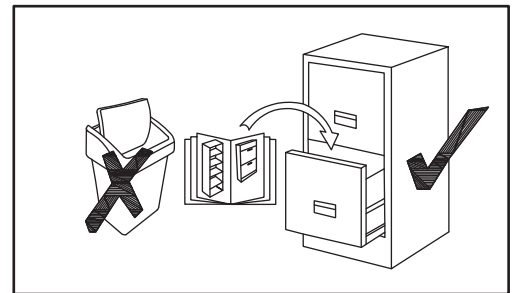
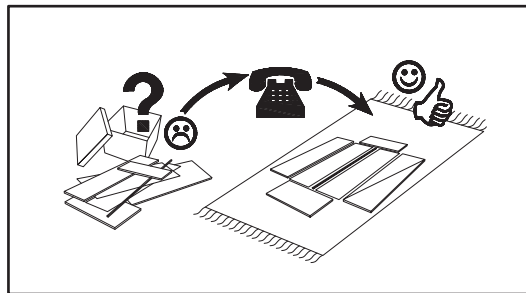
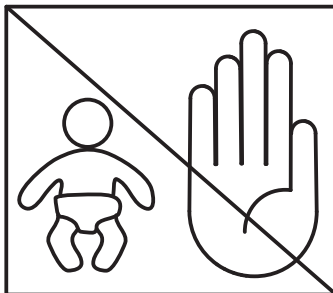
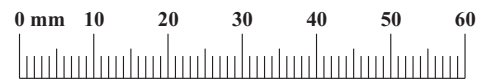
NO	Dim.		Col.-No	Qty
1	268	274	1	2
2	1602	274	1	1
3	1602	274	1	1
4	268	244	1	2
8	1580	280	1	1
5	396	296	1	1
6	396	296	1	1
7	854	264	1	1


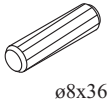


90 min

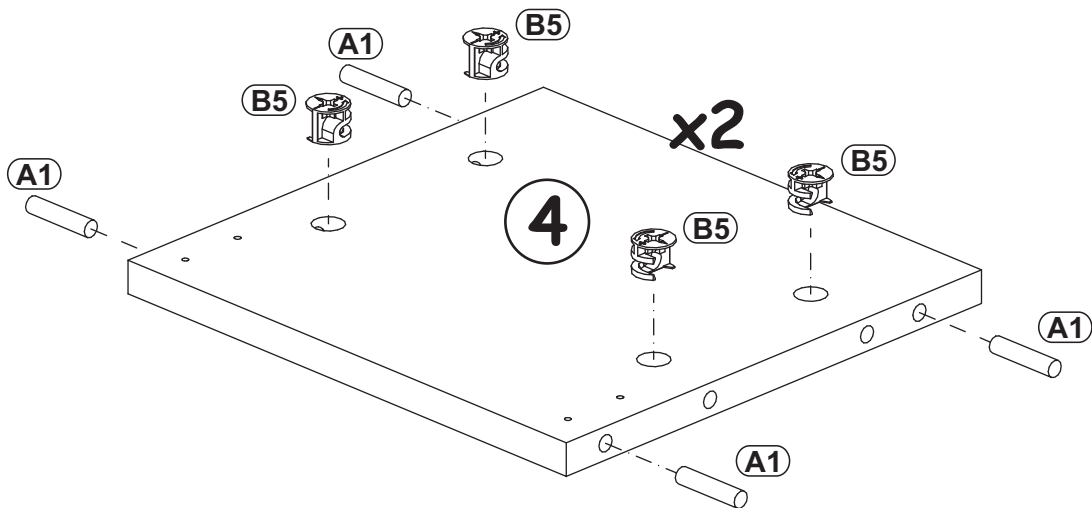
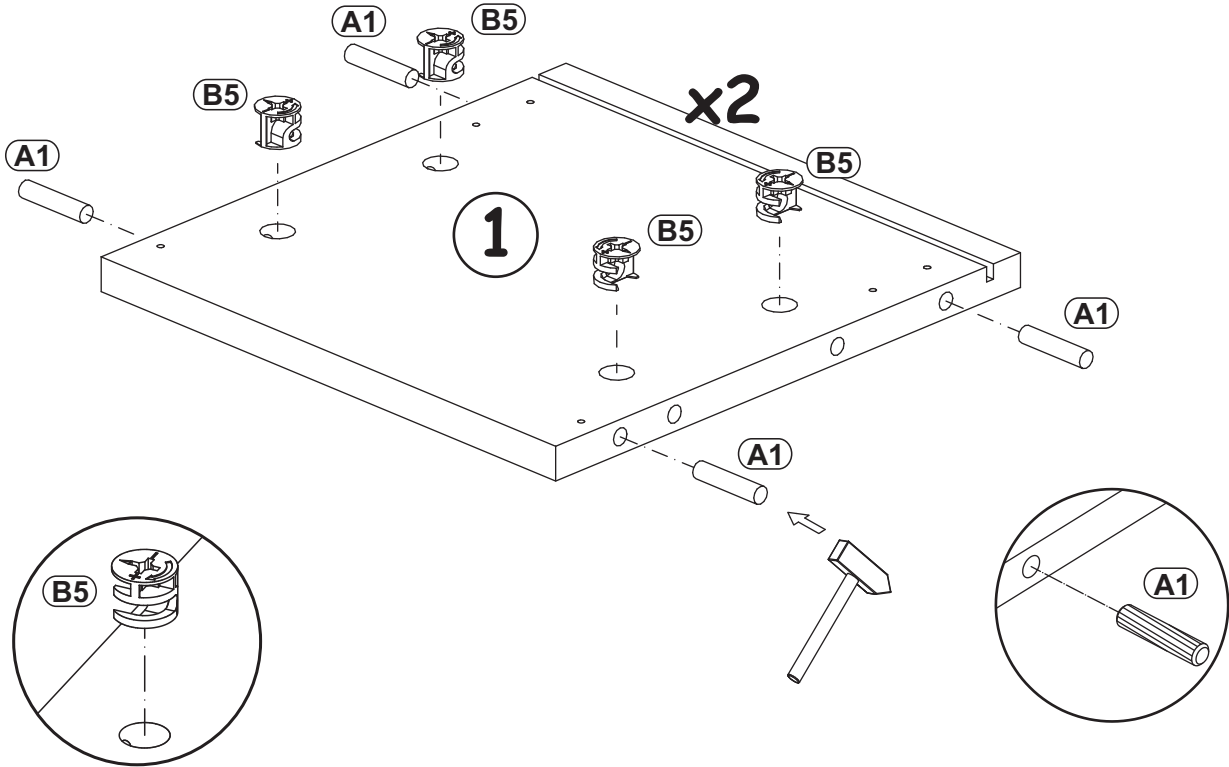
FLY TYP-52

A1 x16  ø8x36	B4 x16 	B5 x16  ø15x12	G5 x16 	E2 x4  H=0	E1 x4  H=0
T1 x2 	BO1 x2 	S1 x12 	ZR1 x4 	D6 x8  USØ3,5x30	D10 x22  USØ3,5x13
UP13 x10  UPØ3x16	G2 x1 	KR2 x4 	P2 x6 	BP1 x2 	



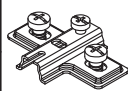
B5		A1	
x16	ø15x12	x16	ø8x36

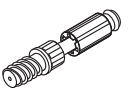
1

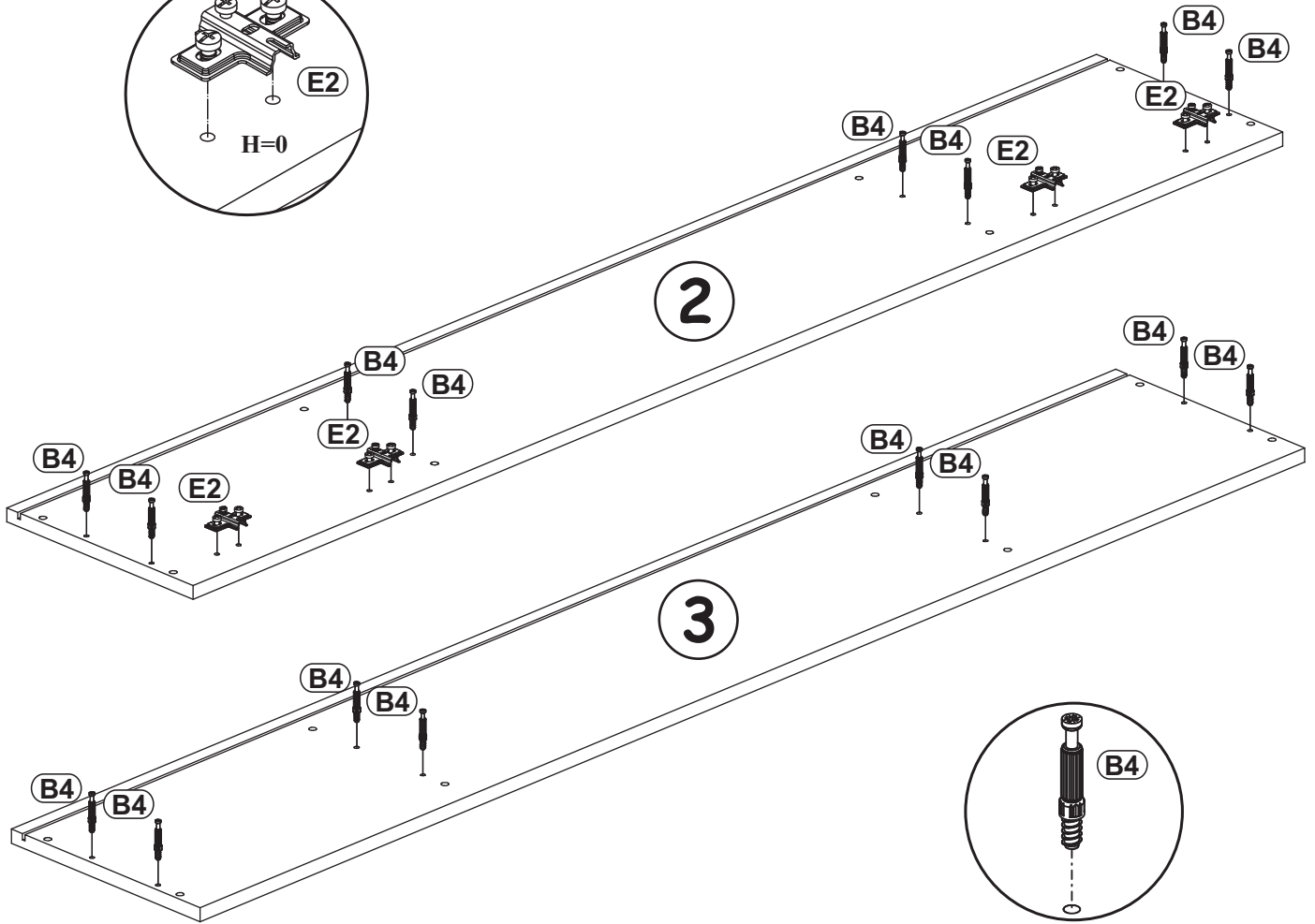
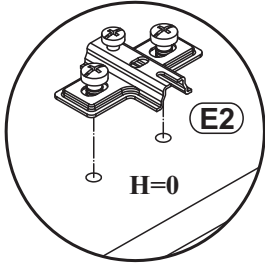


FLY TYP-52

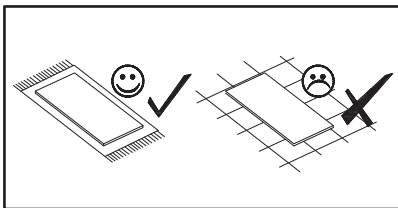
2

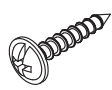
E2	
x4	H=0


B4	
x16	

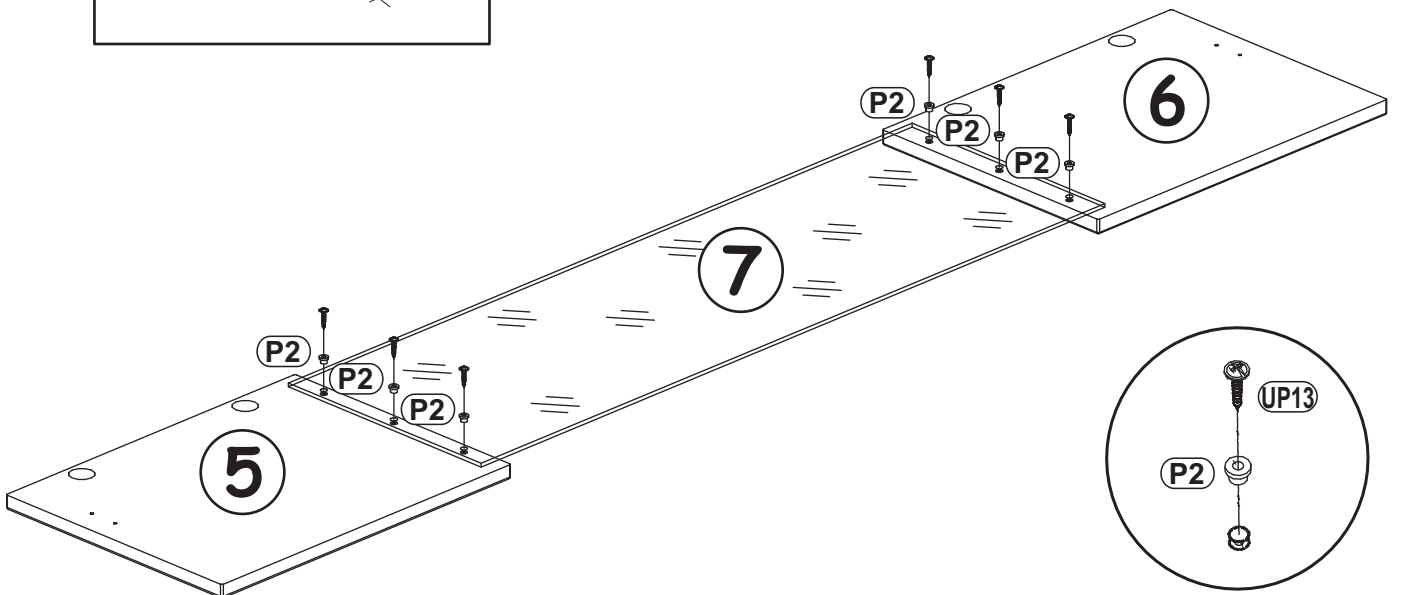


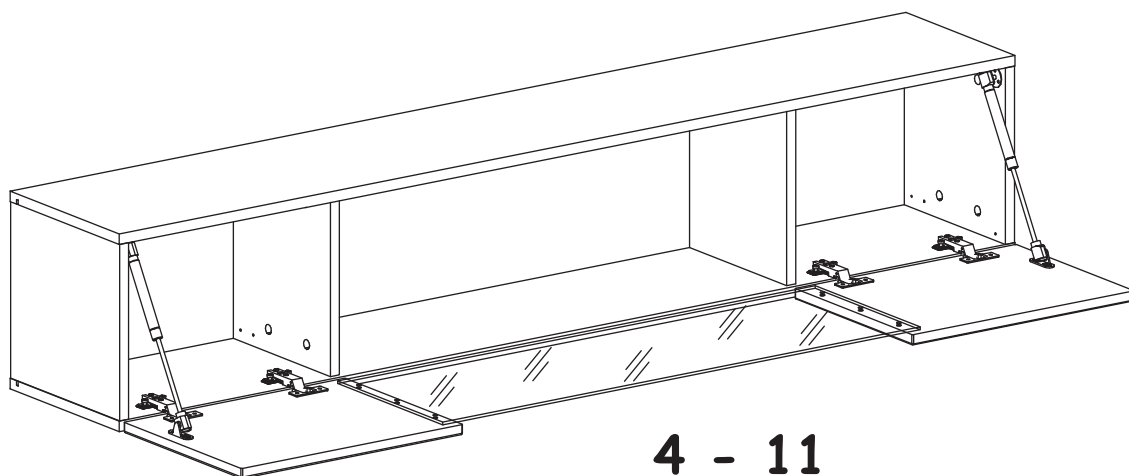
3



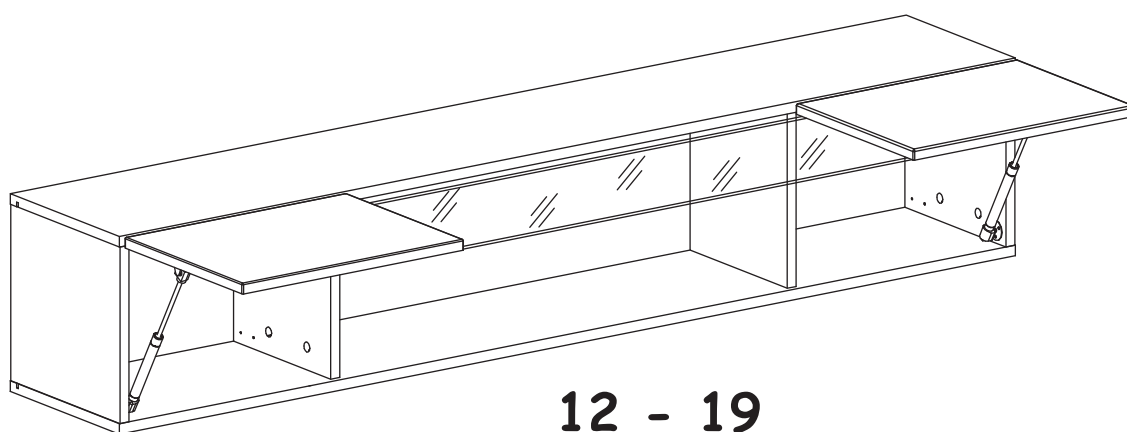
UP13	
x6	UPØ3x16

P2	
x6	

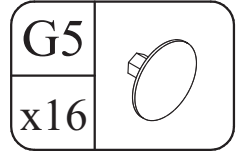




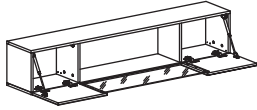
4 - 11



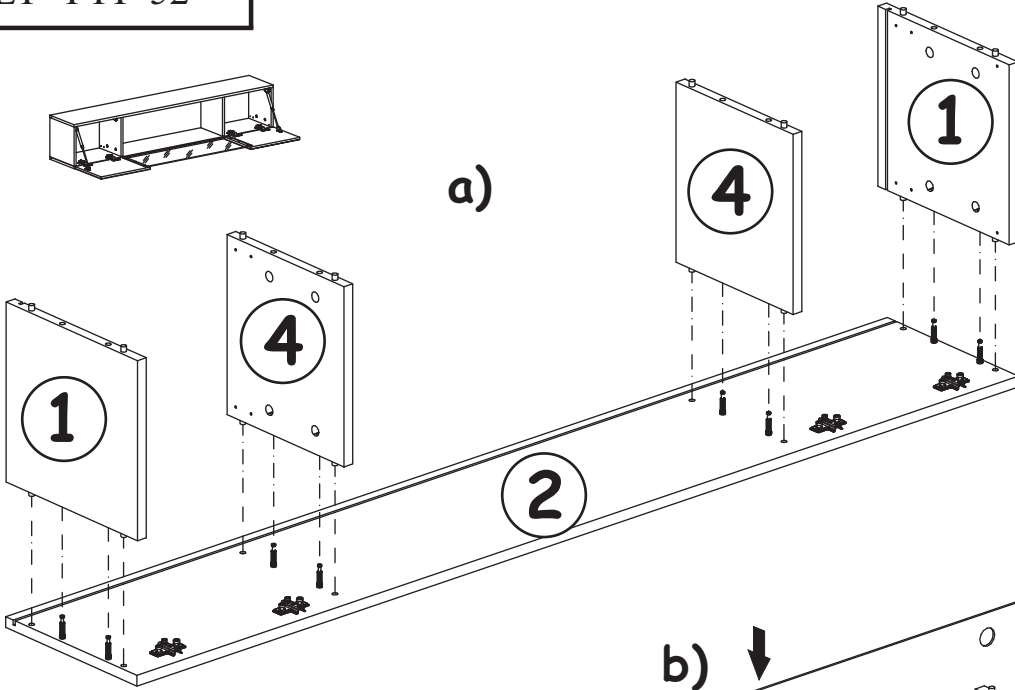
12 - 19



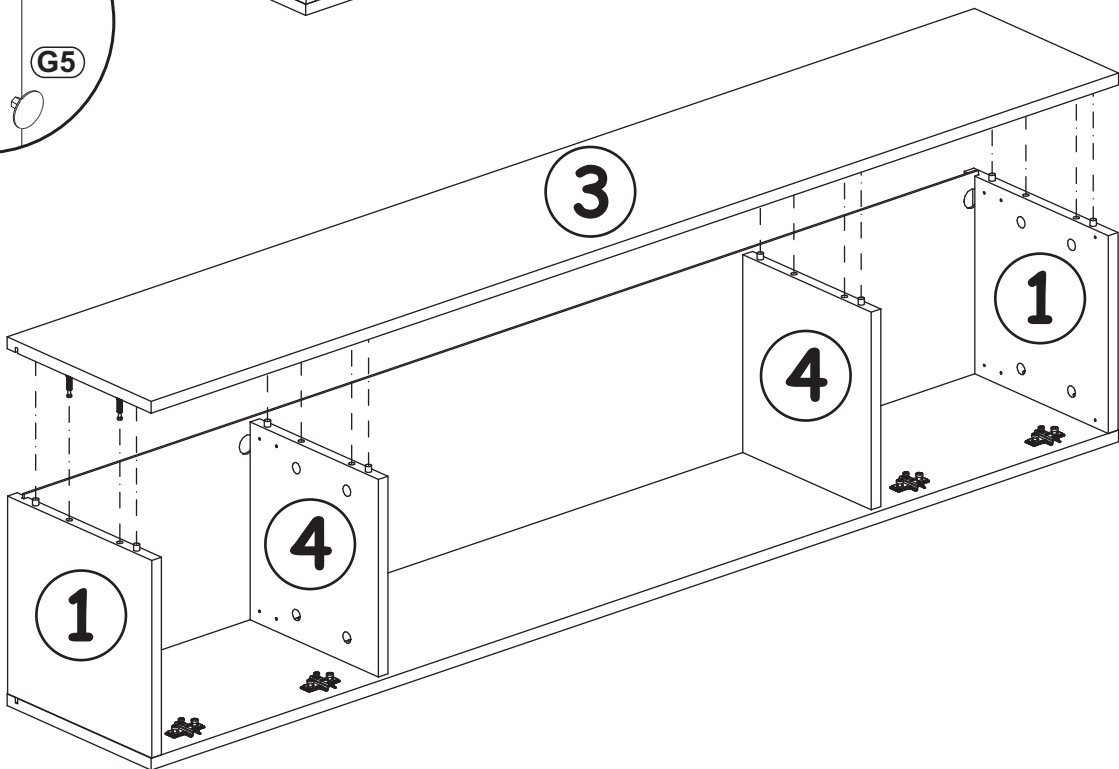
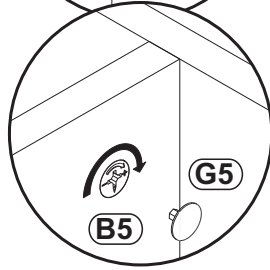
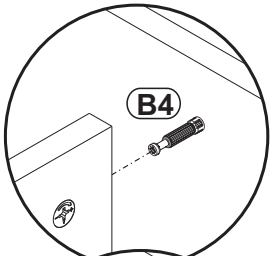
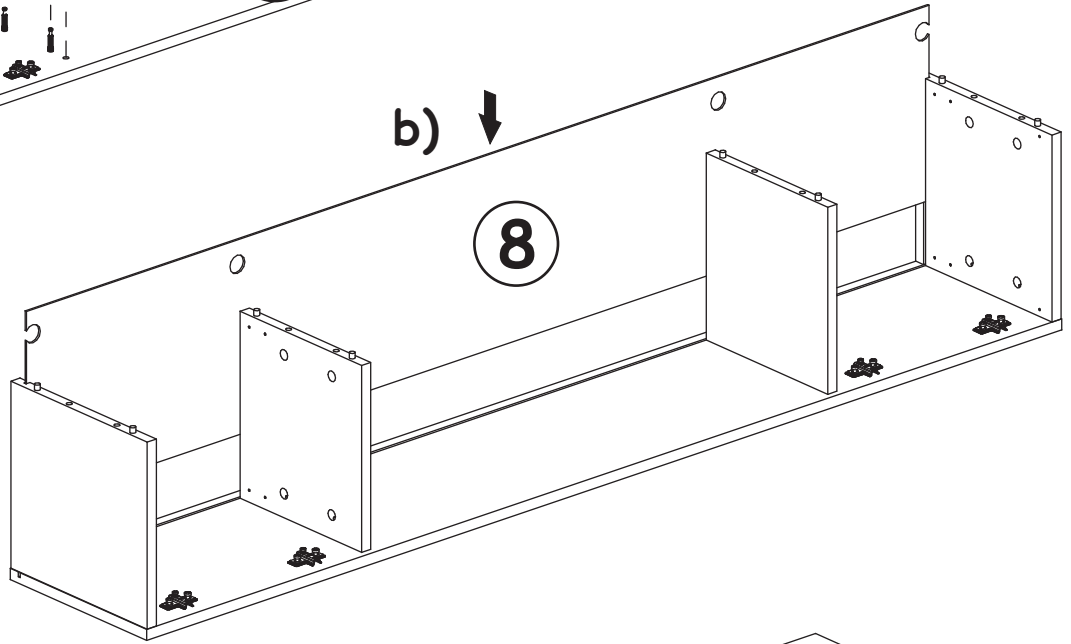
4



a)

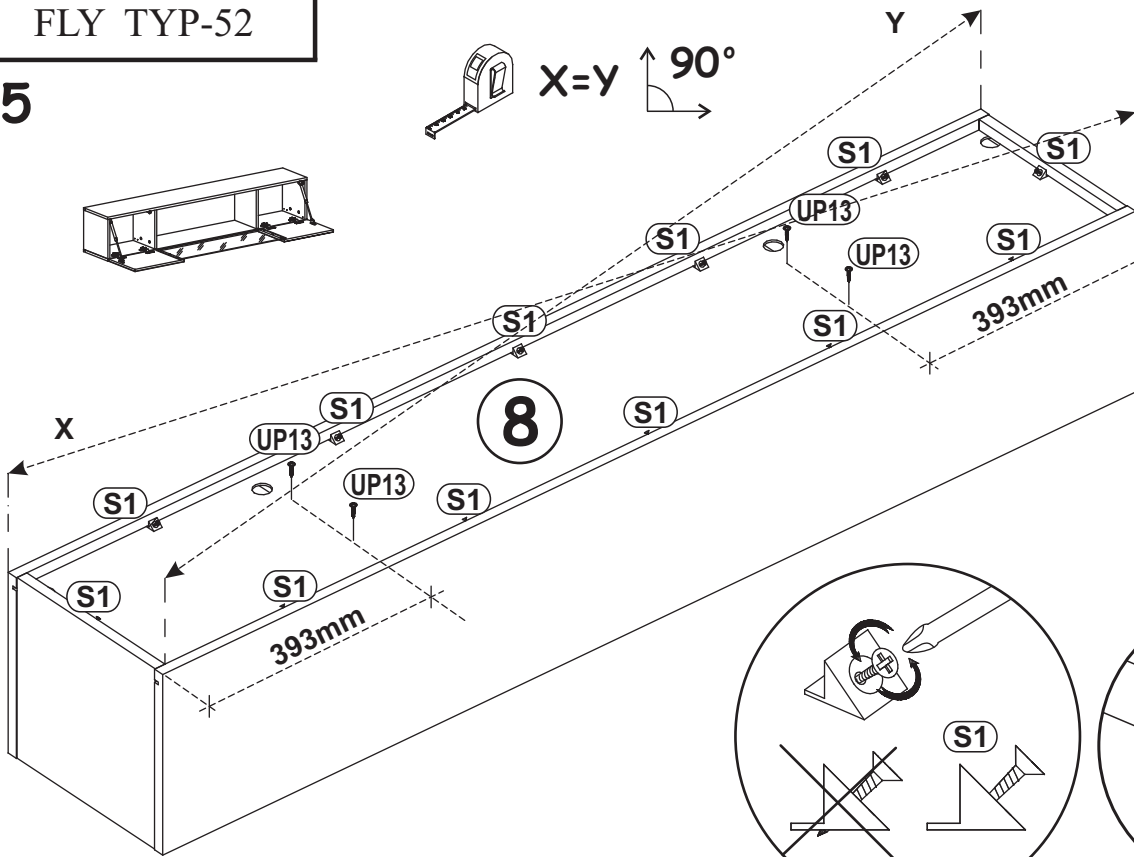


b) ↓



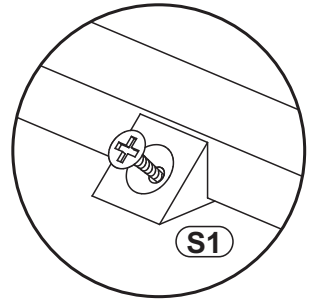
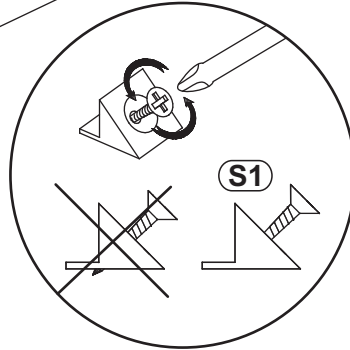
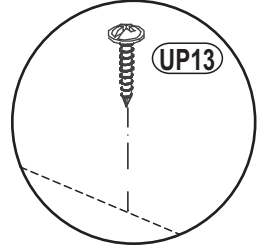
FLY TYP-52

5

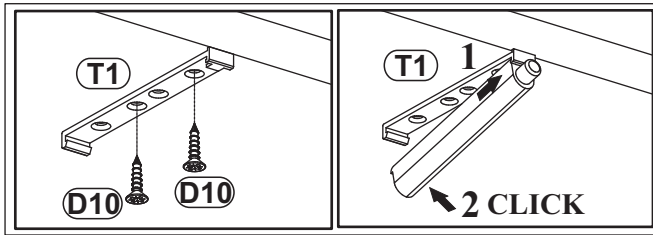


UP13	
x4	UPØ3x16

S1	
x12	



6

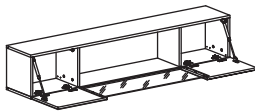
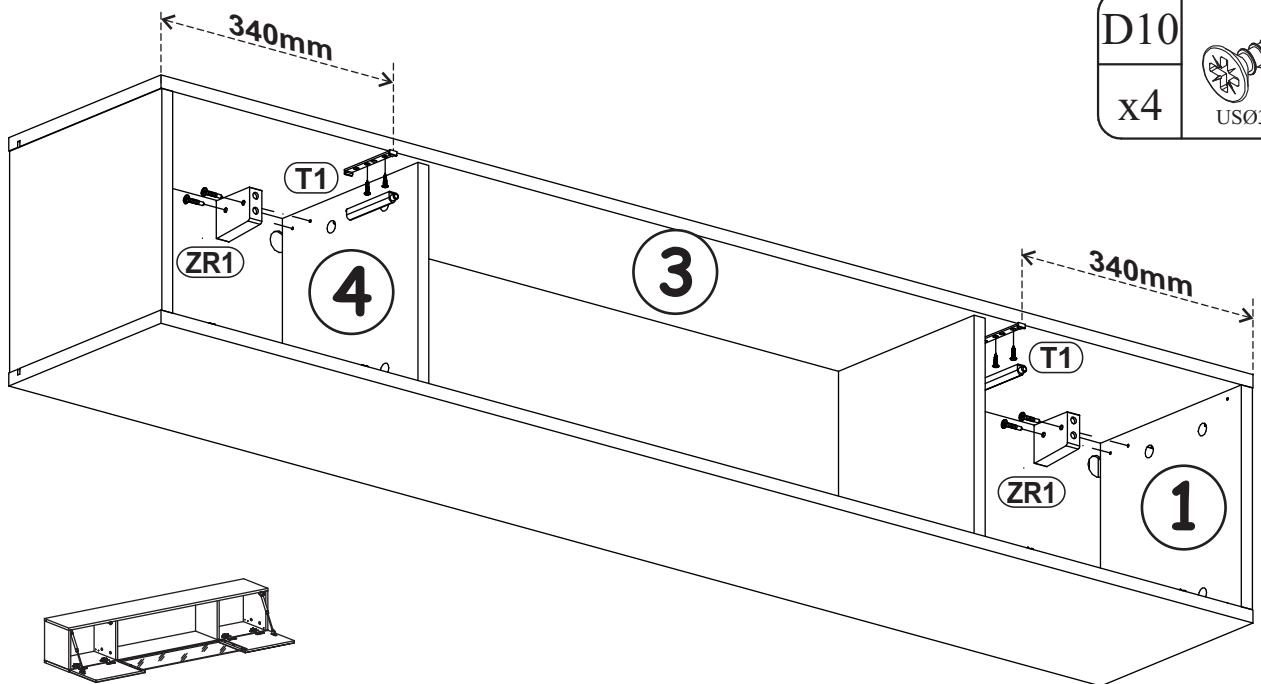


ZR1	
x2	

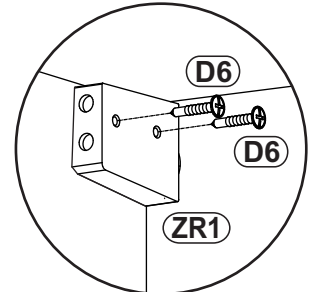
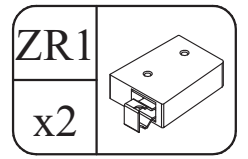
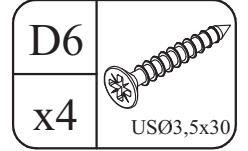
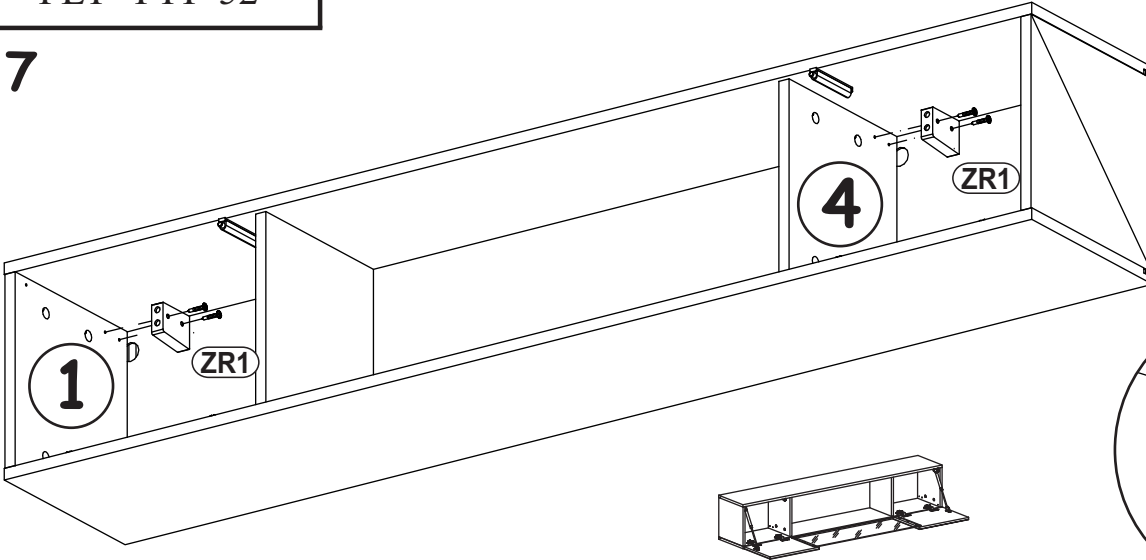
D6	
x4	USØ3,5x30

T1	
x2	

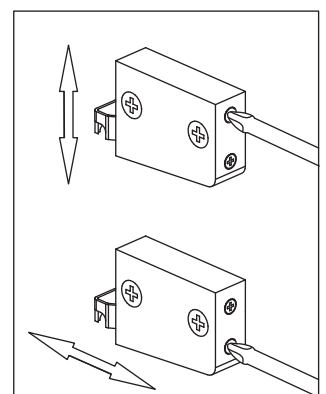
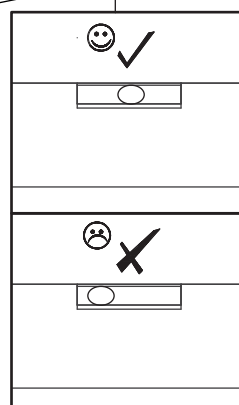
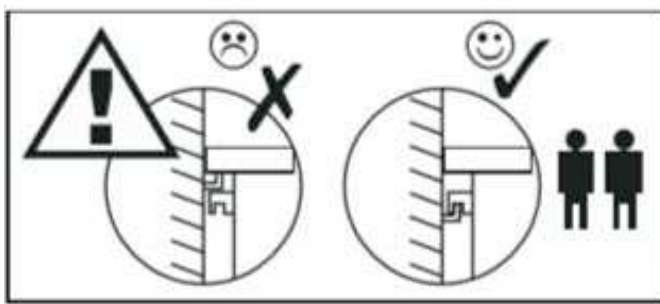
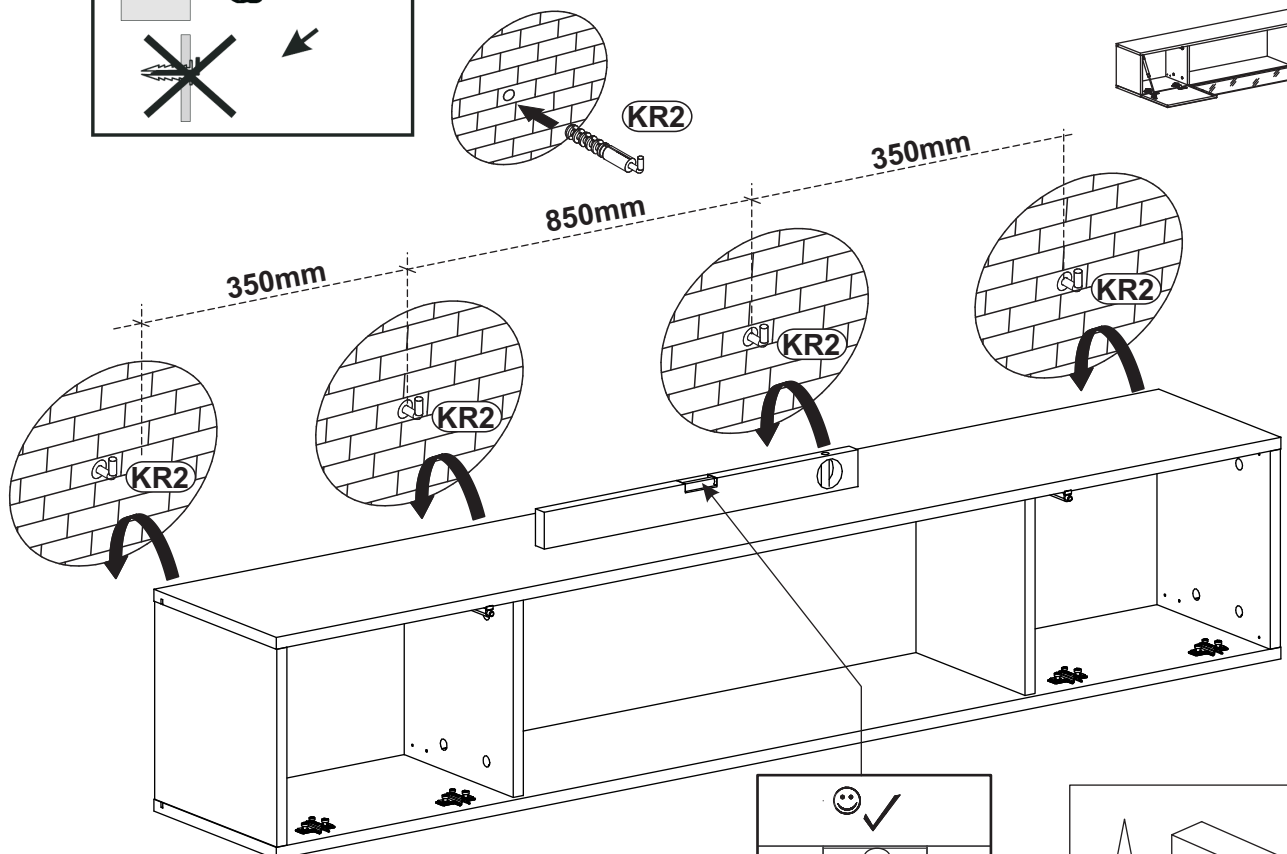
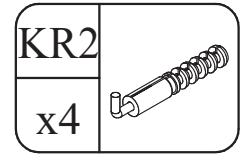
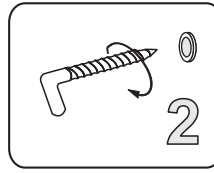
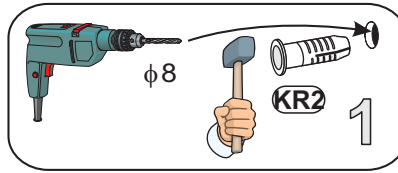
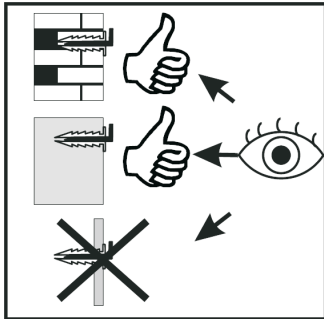
D10	
x4	USØ3,5x13



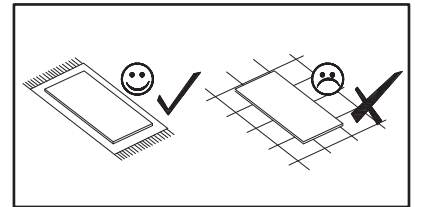
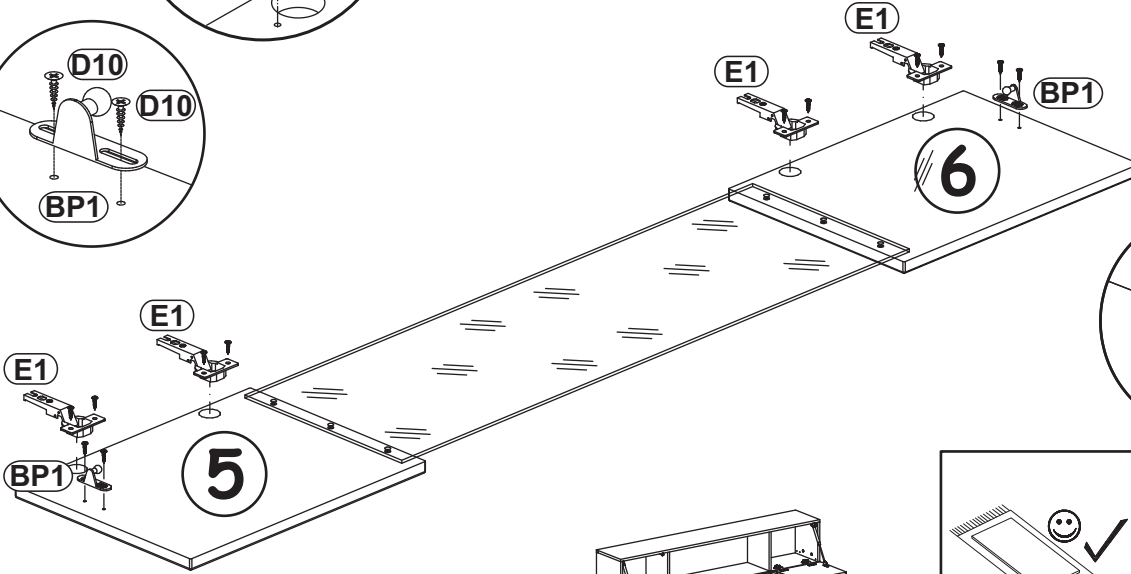
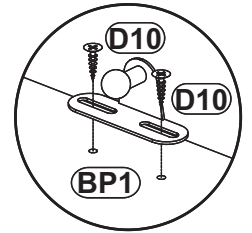
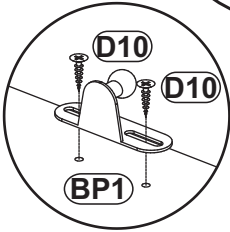
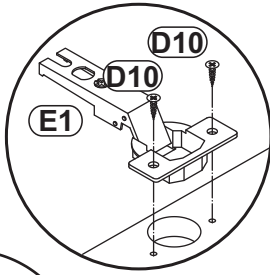
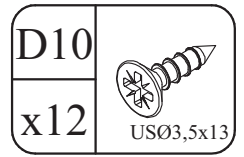
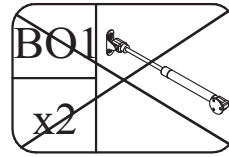
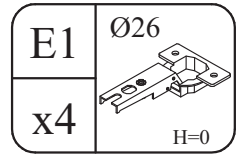
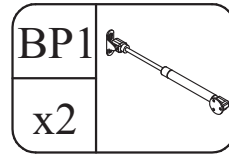
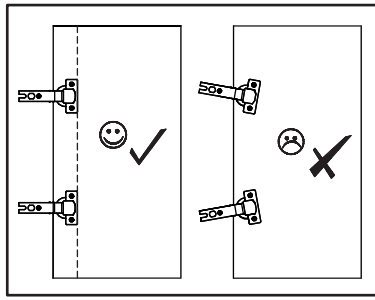
7



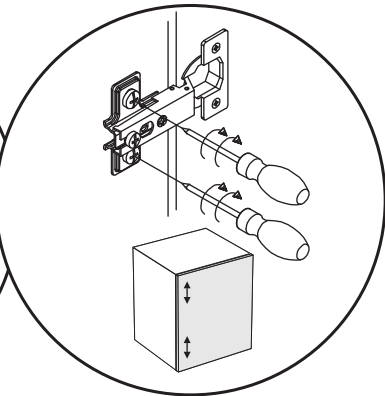
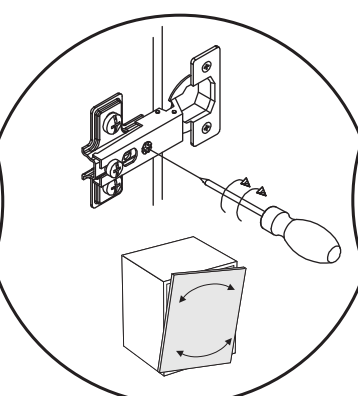
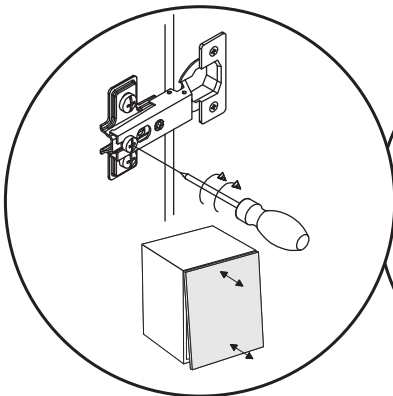
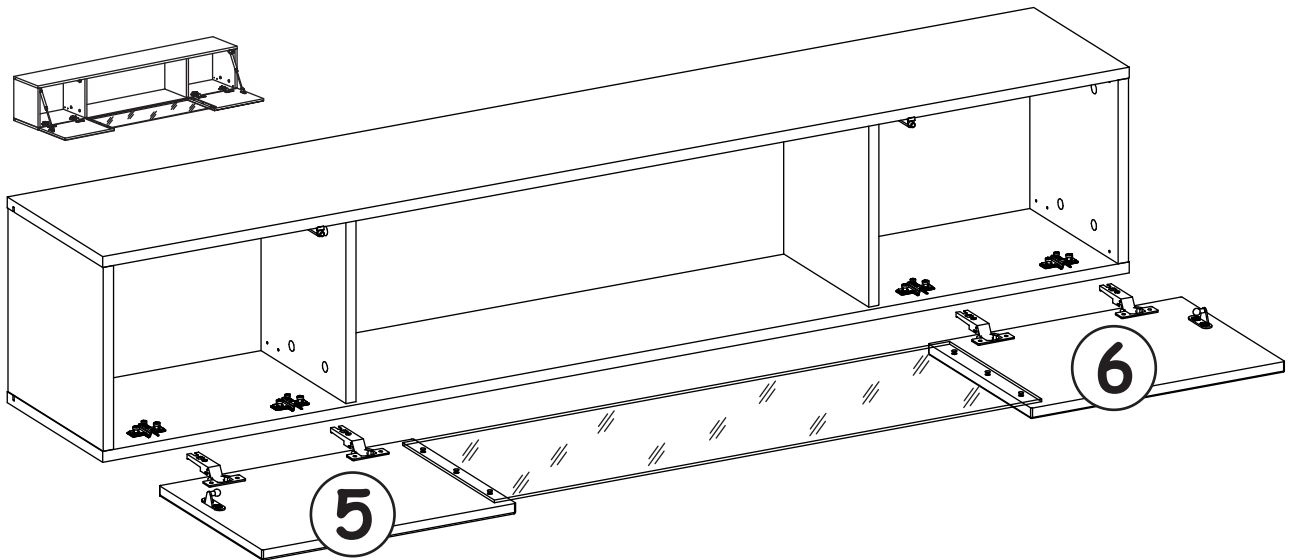
8



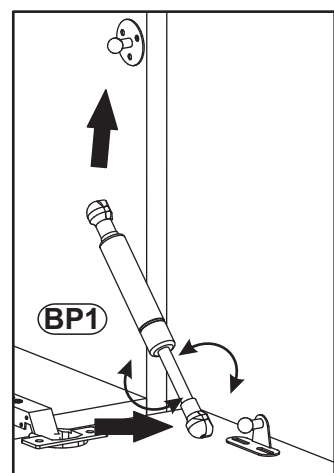
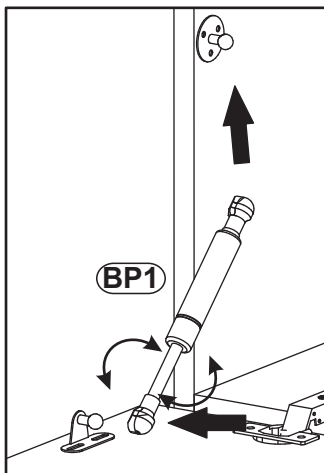
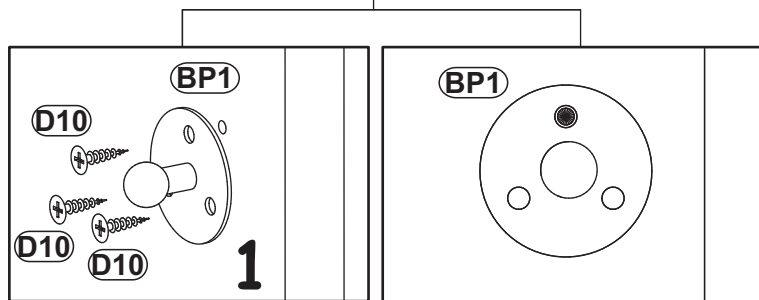
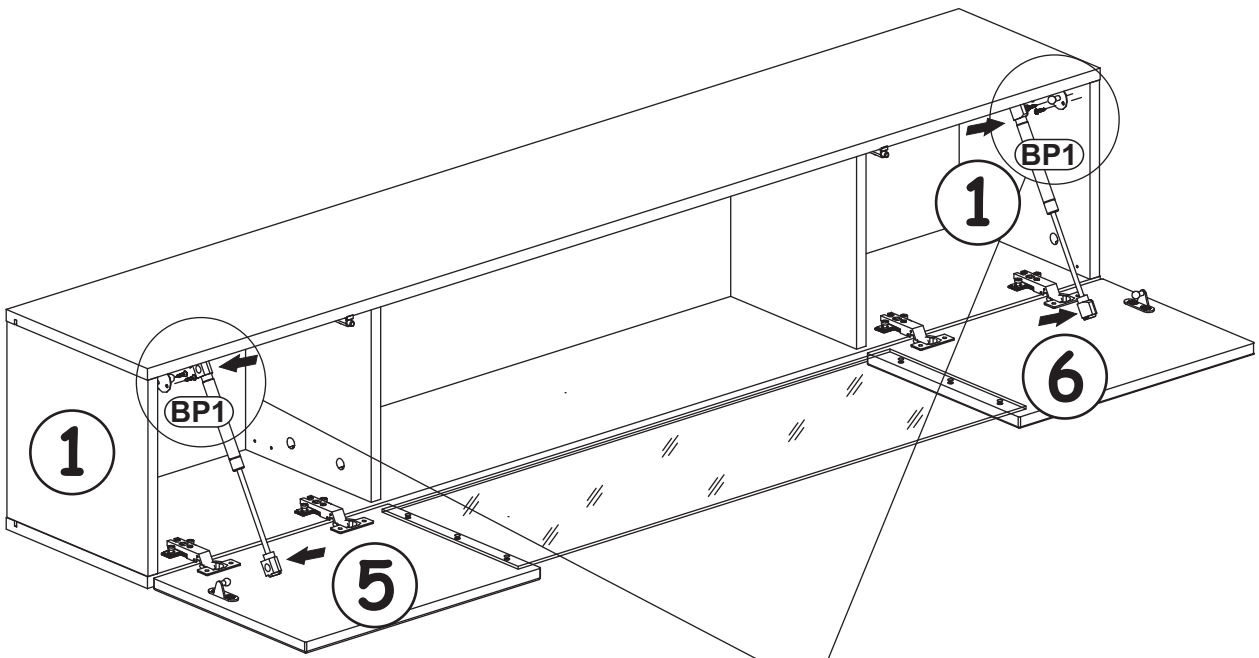
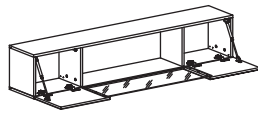
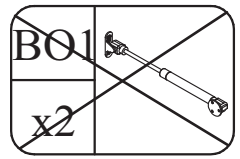
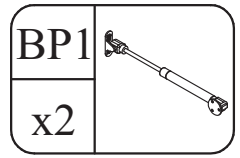
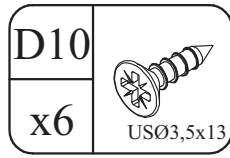
9

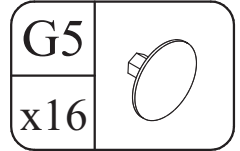


10

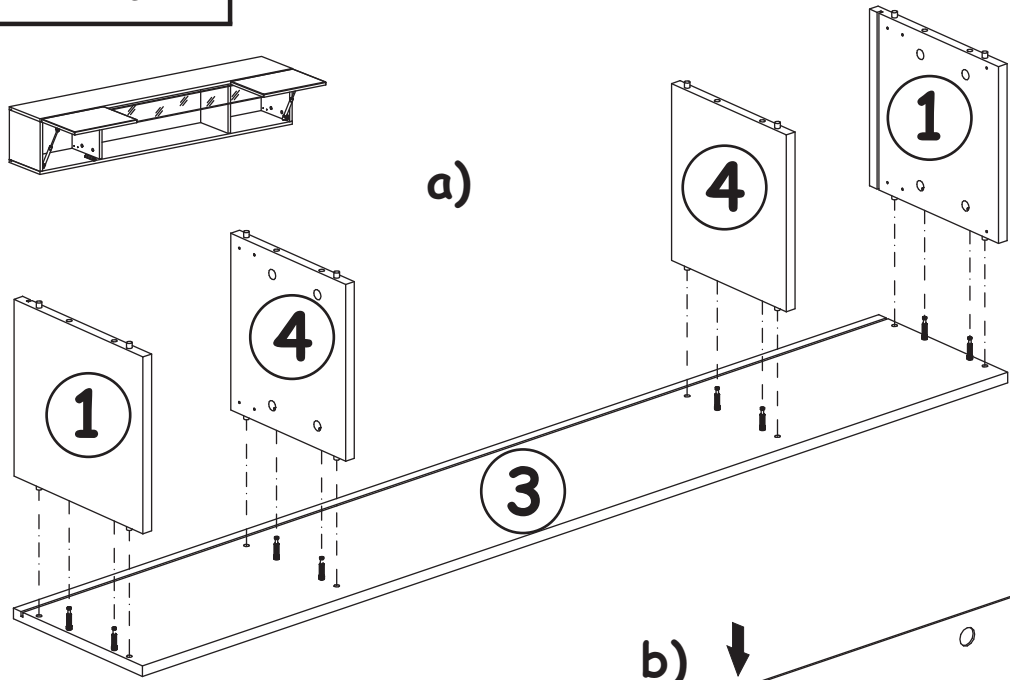


11



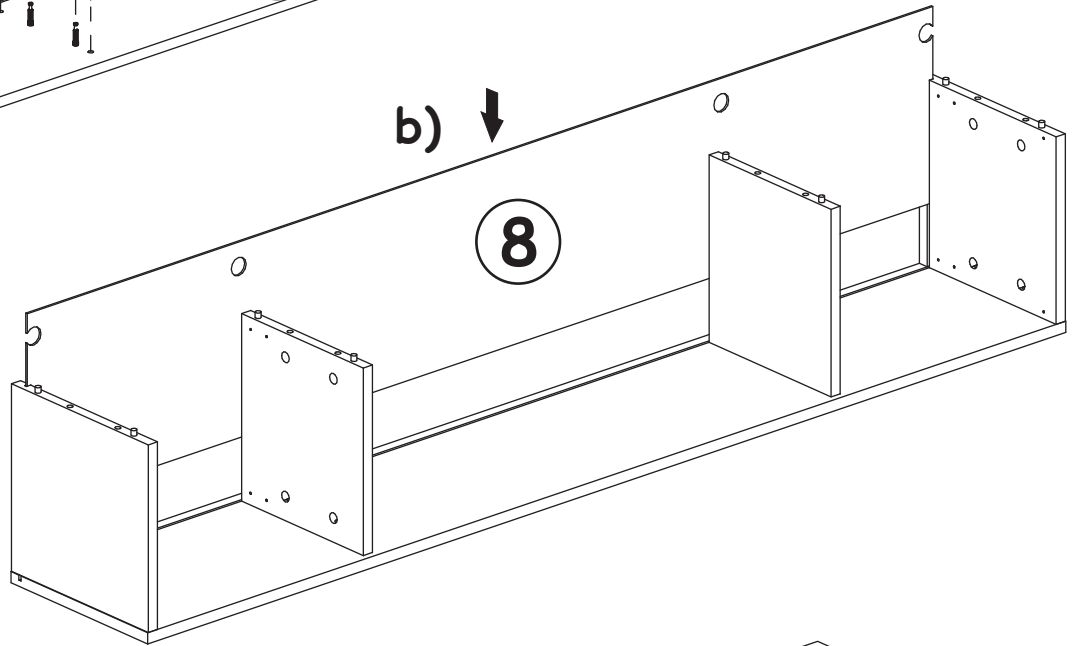


12

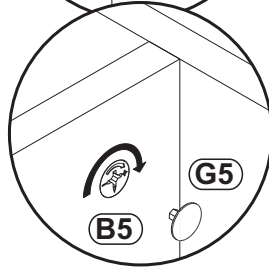
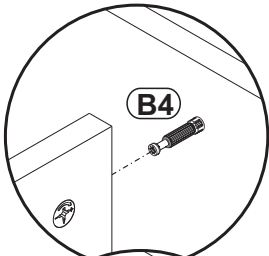
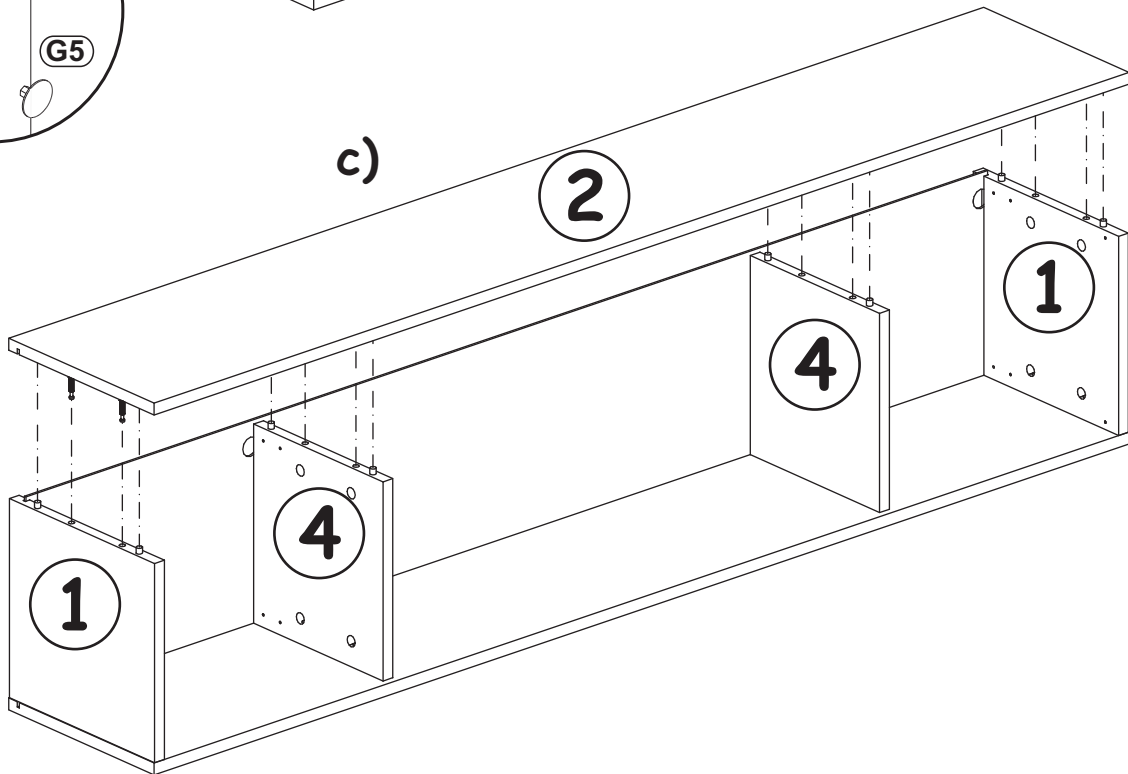


a)

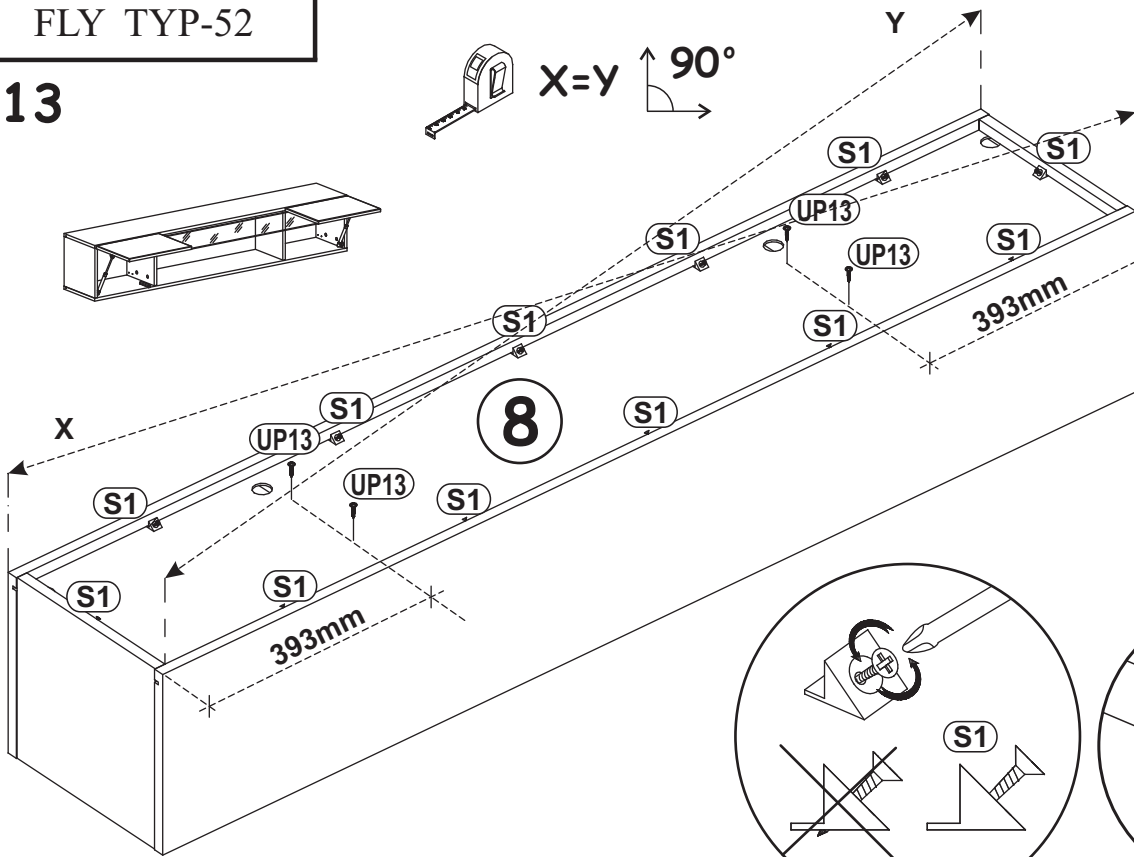
b) ↓



c)

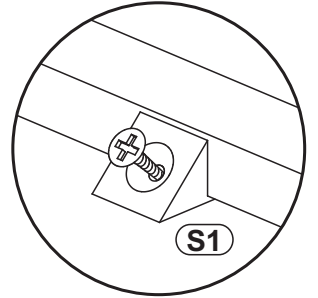
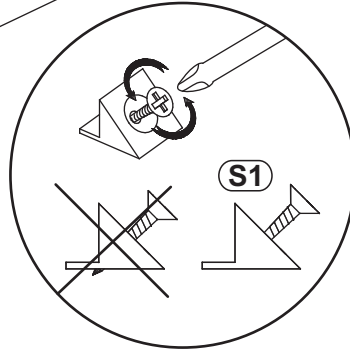
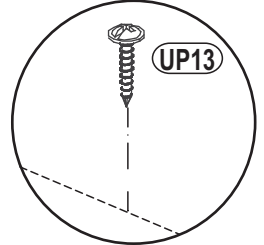


13

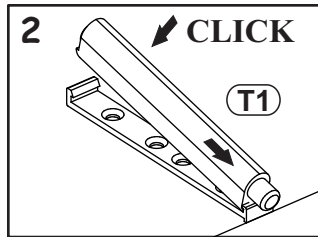
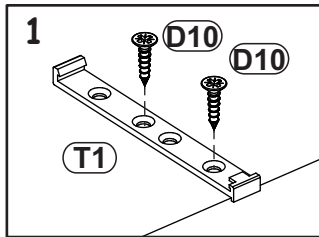


UP13	
x4	UP03x16

S1	
x12	



14

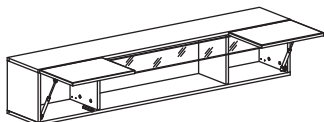
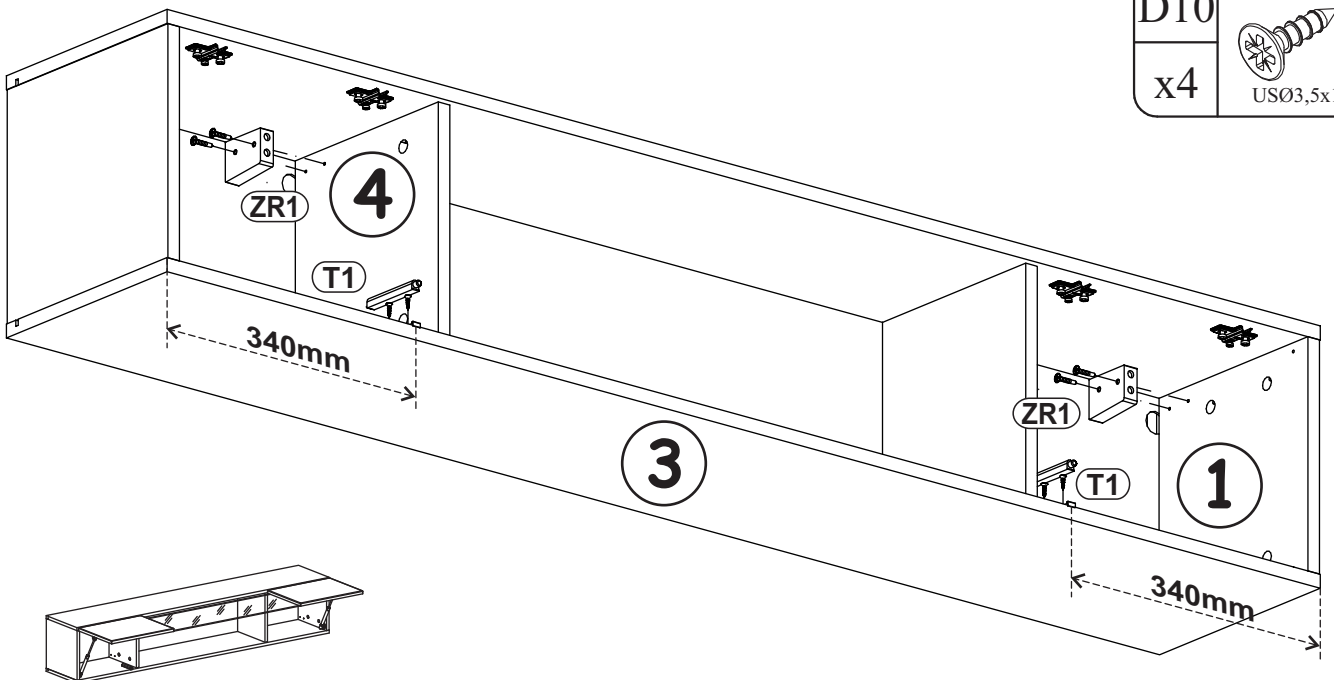


ZR1	
x2	

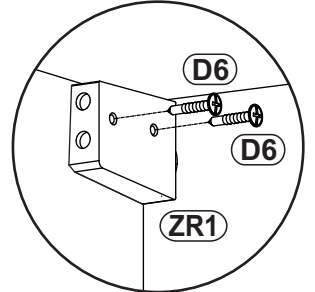
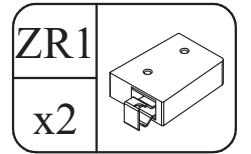
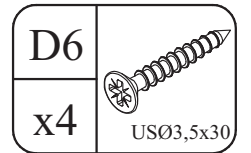
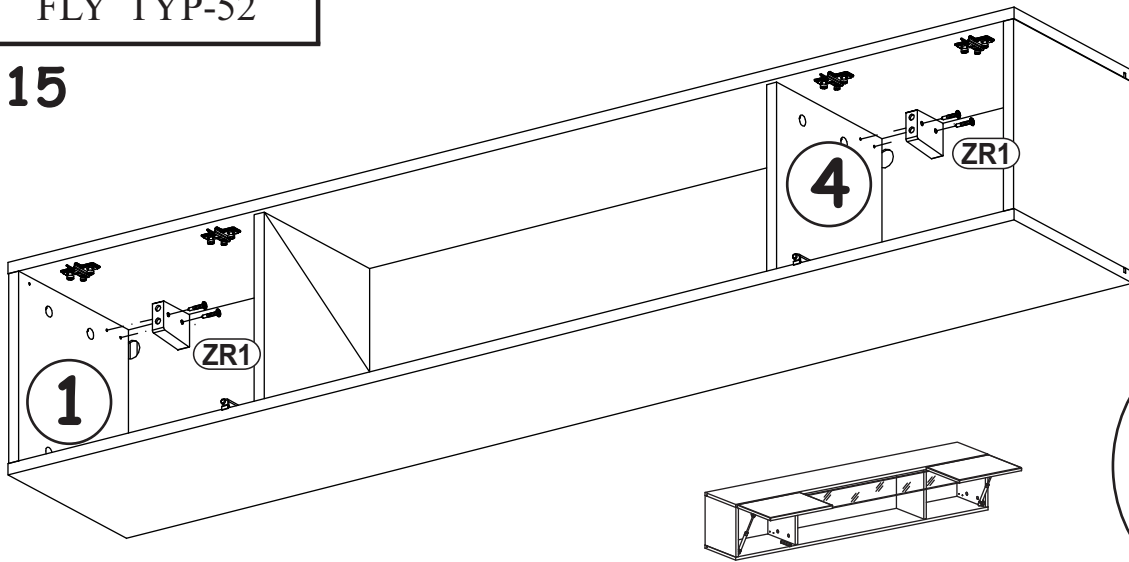
D6	
x4	US03,5x30

T1	
x2	

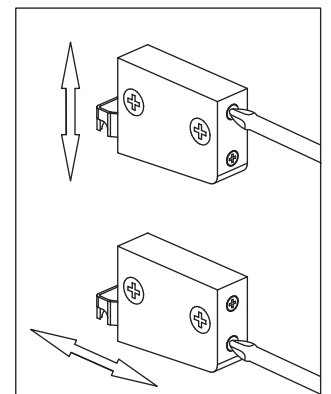
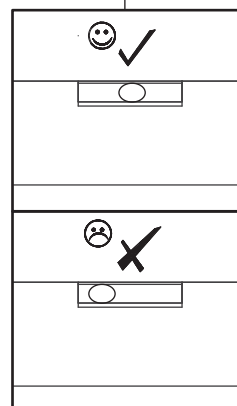
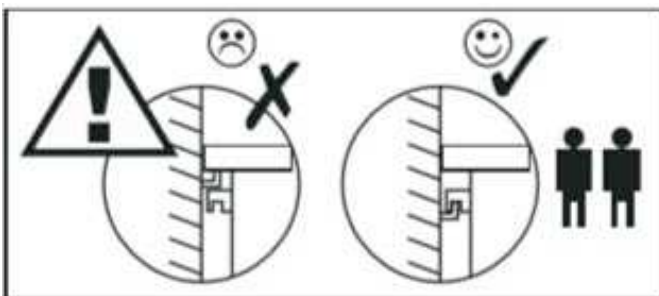
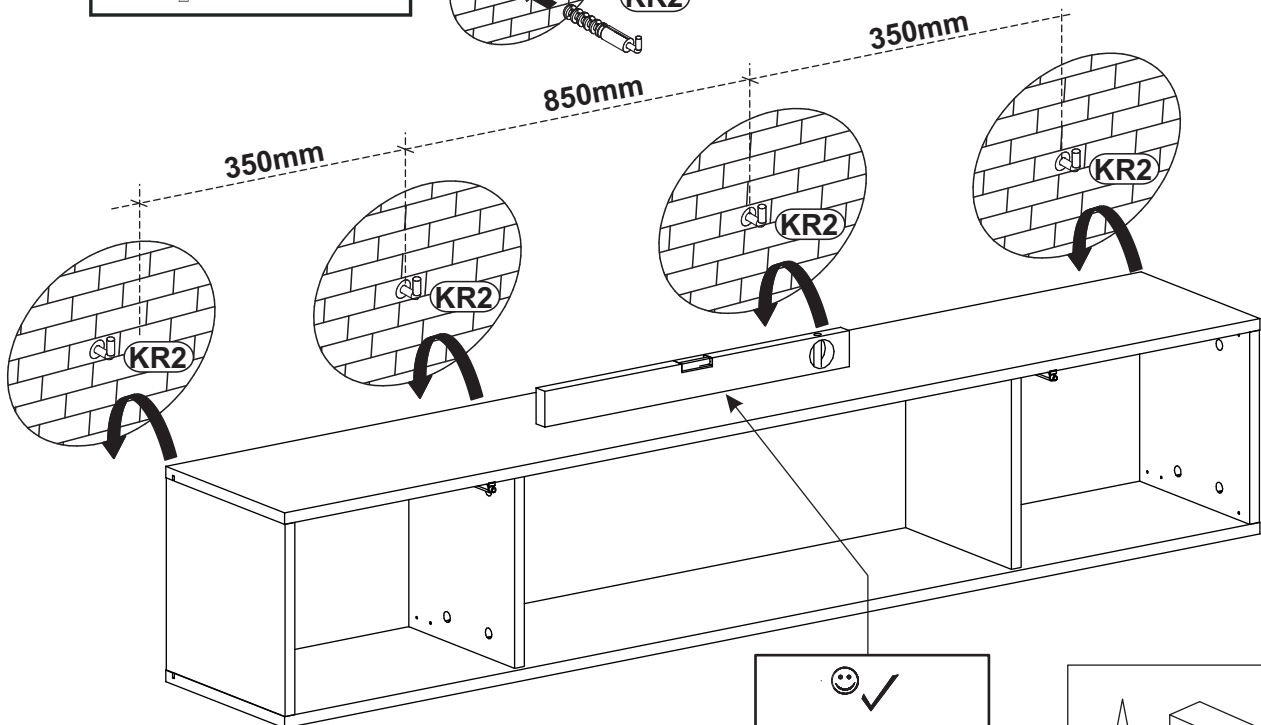
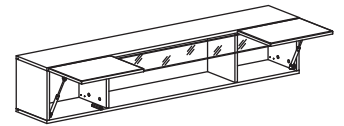
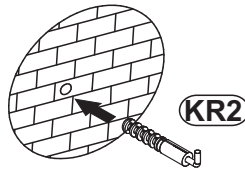
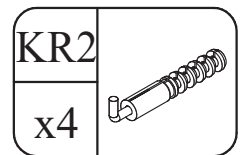
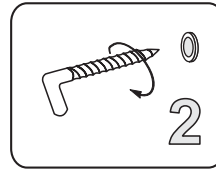
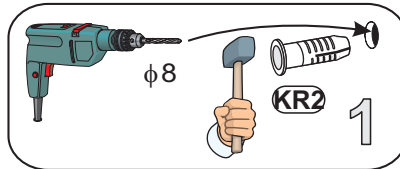
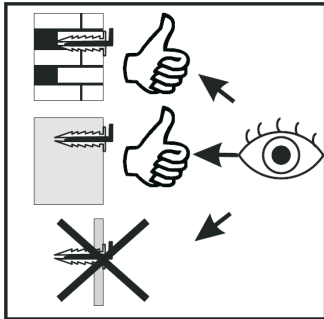
D10	
x4	US03,5x13



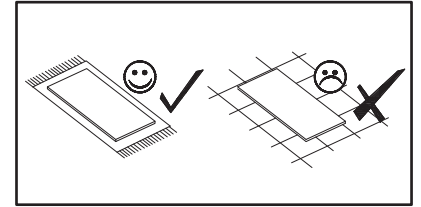
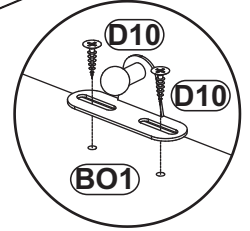
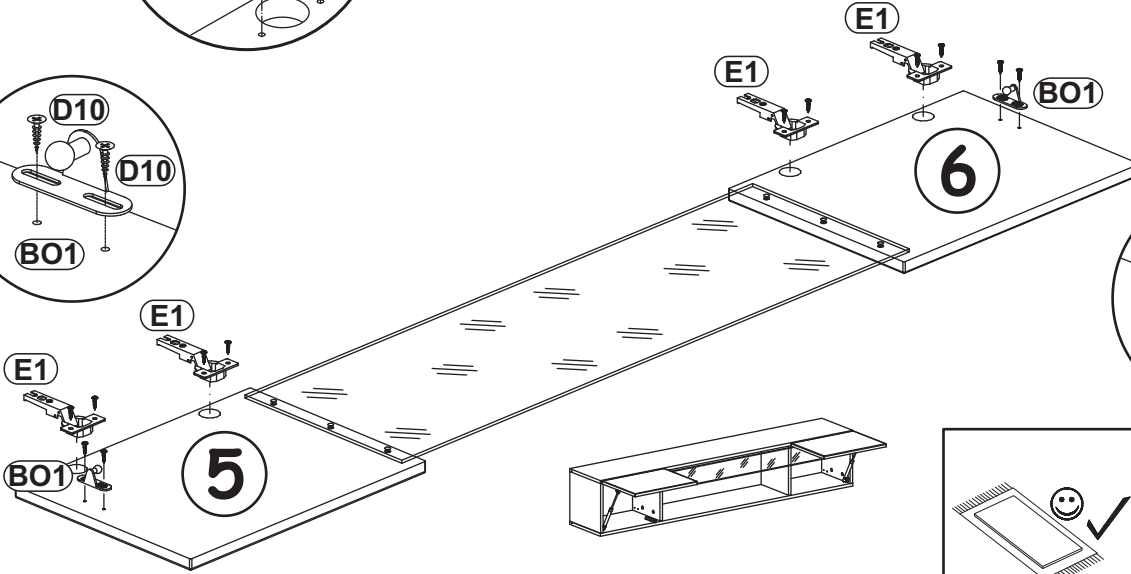
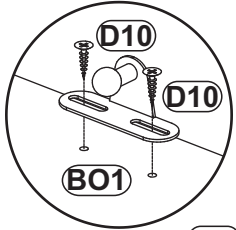
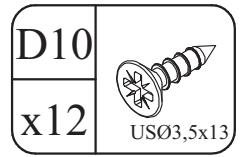
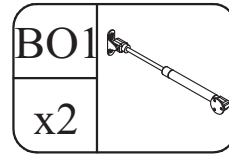
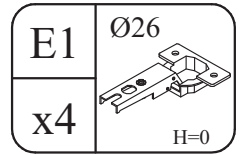
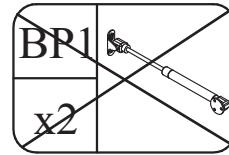
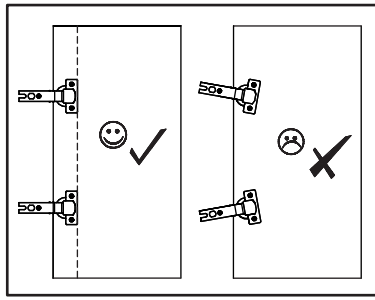
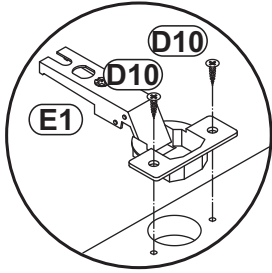
15



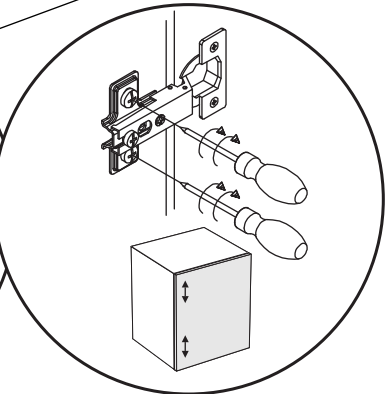
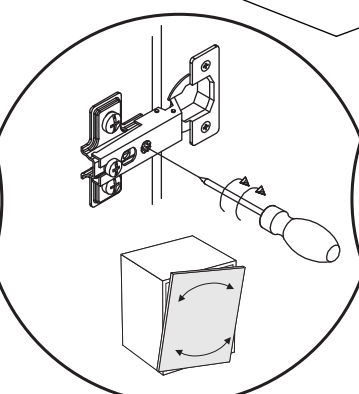
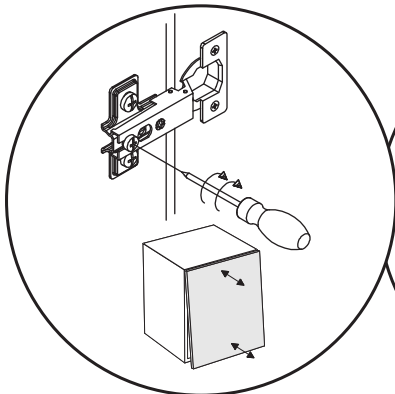
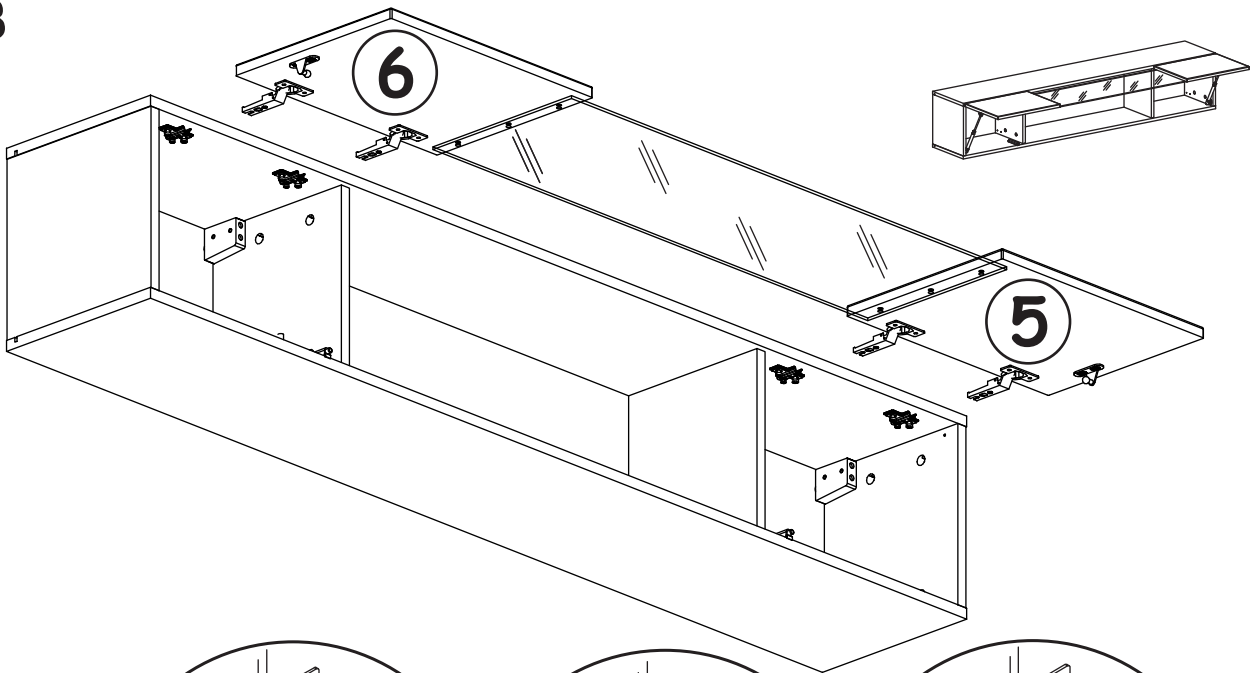
16



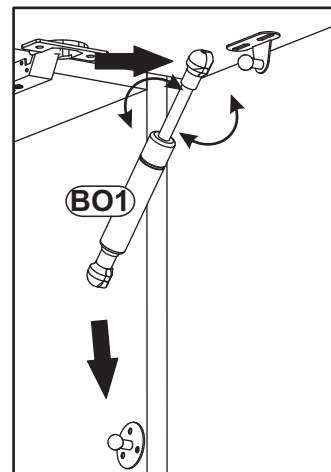
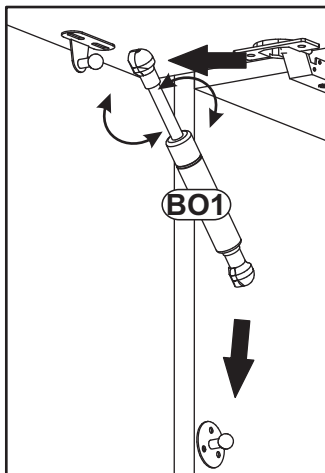
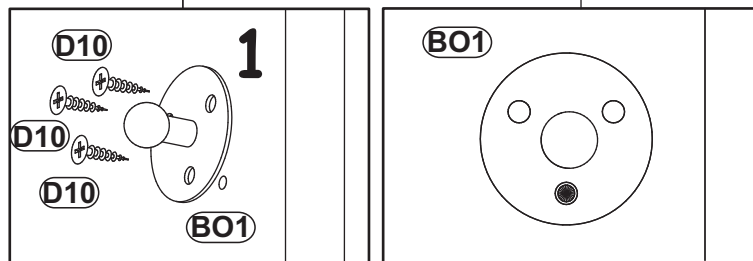
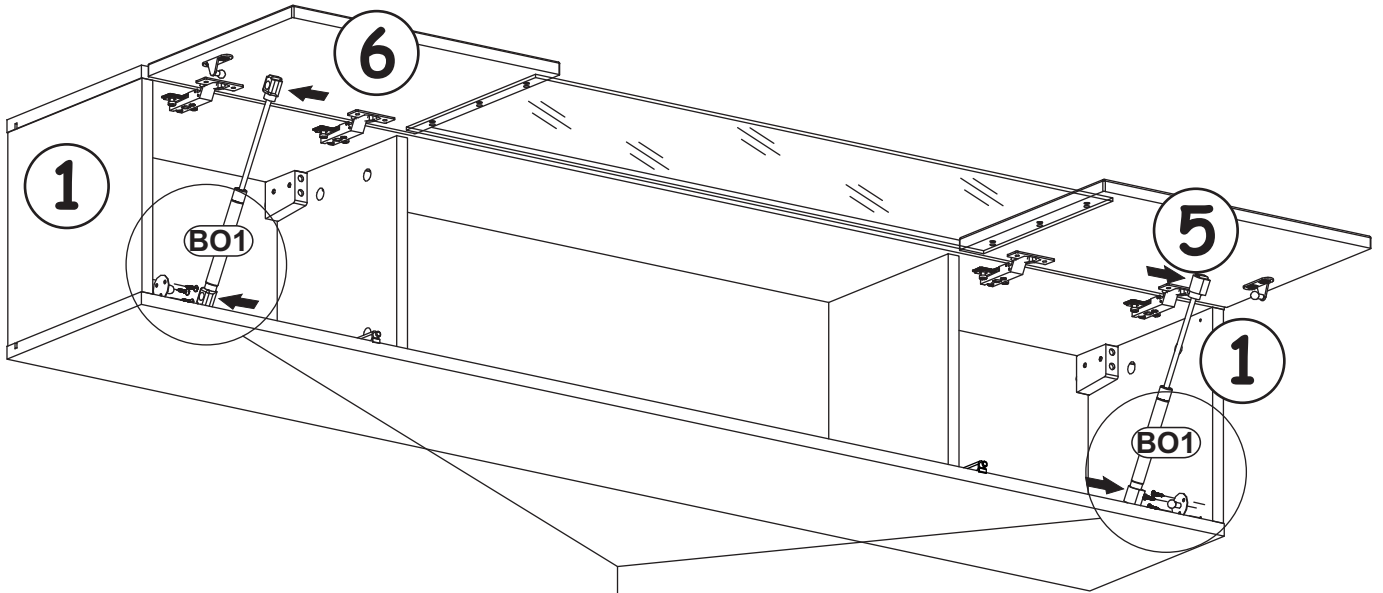
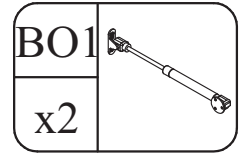
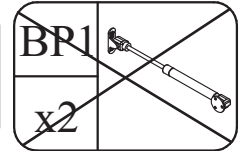
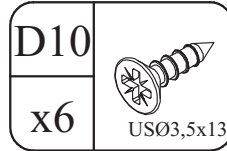
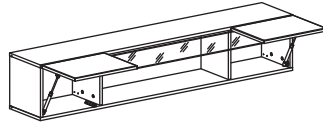
17



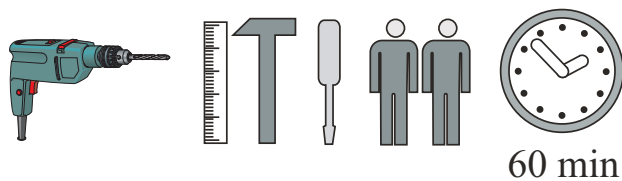
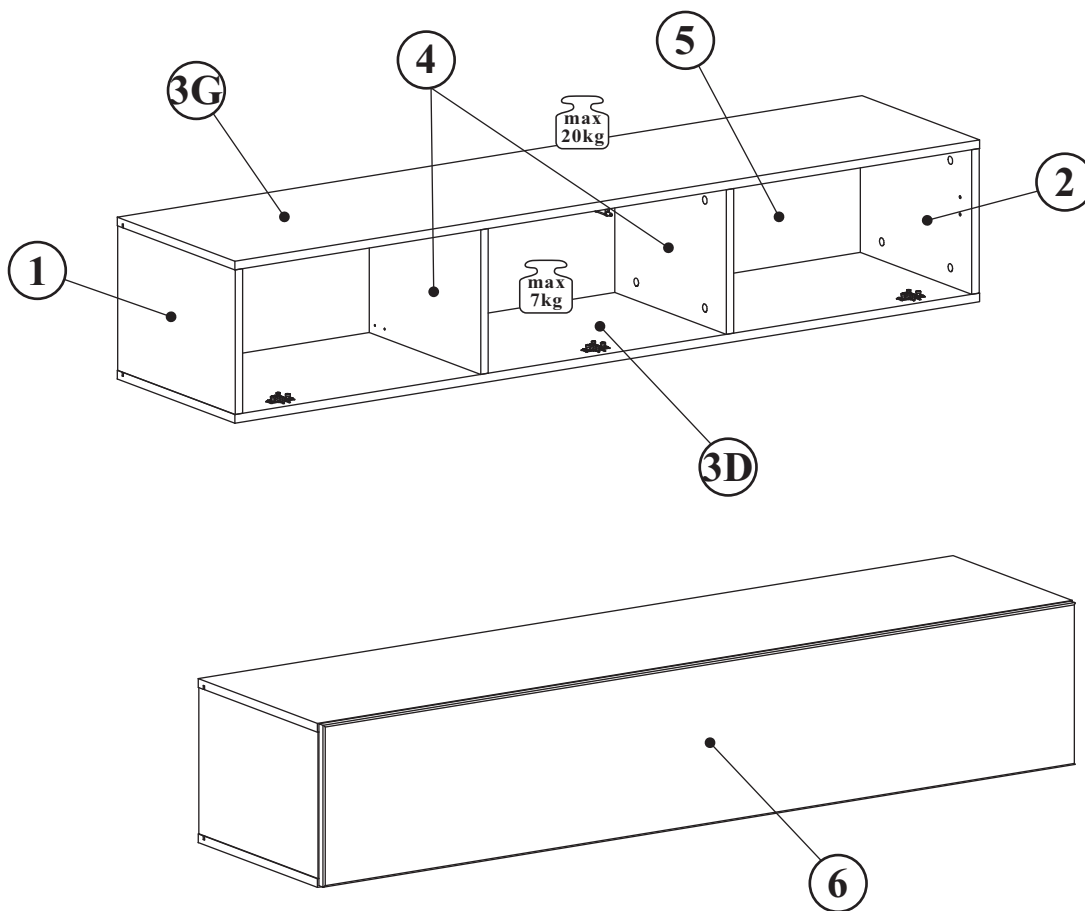
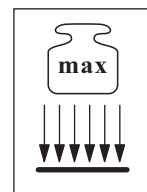
18



FLY TYP-52



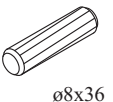
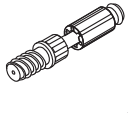




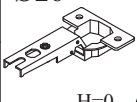
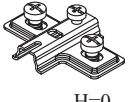
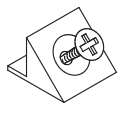



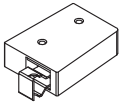


FLY TYP-30

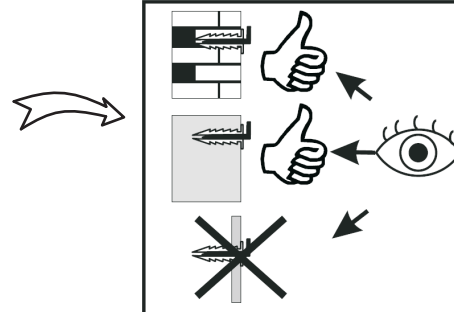
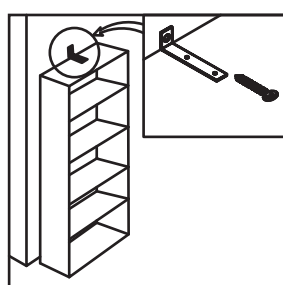
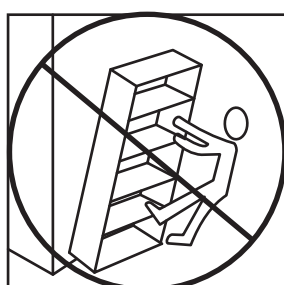
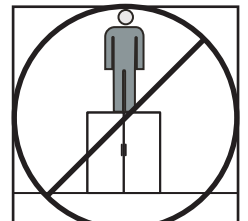
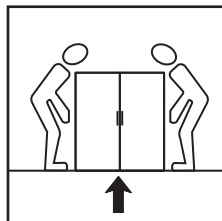
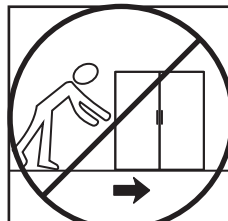
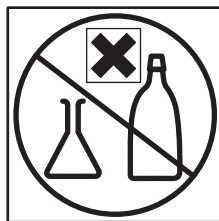
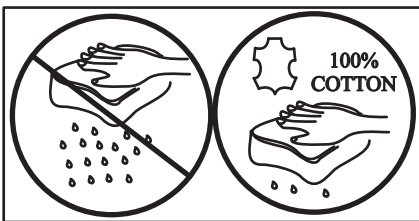
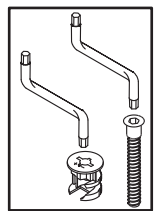
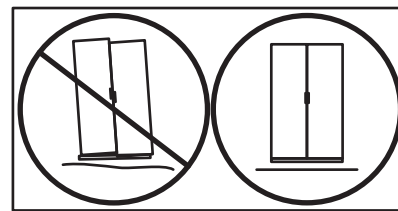
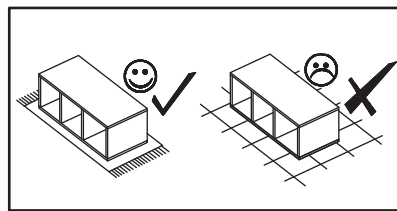
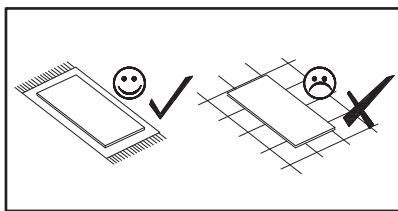
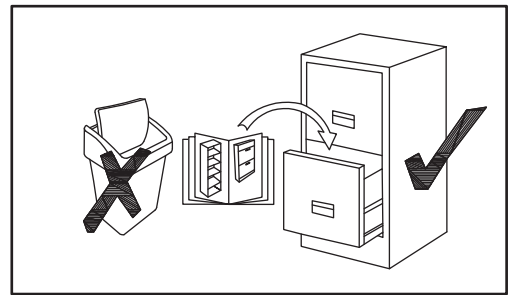
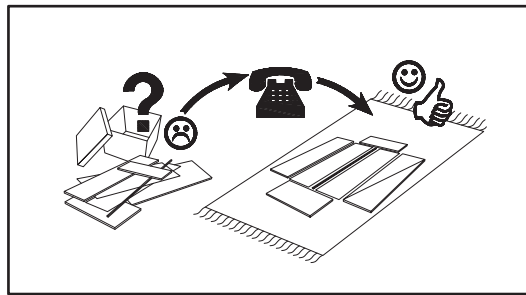
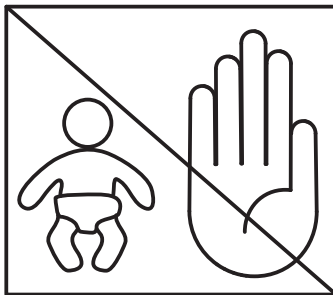
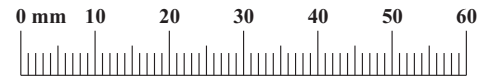


60 min

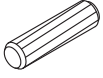
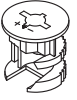
NO	Dim.			Col.-No	Qty
1	268	384	16	1	1
2	268	384	16	1	1
3D/G	1602	384	16	1	2
4	268	364	16	1	2
5	1580	280	3	1	1
6	1596	296	16	1	1

FLY TYP-30

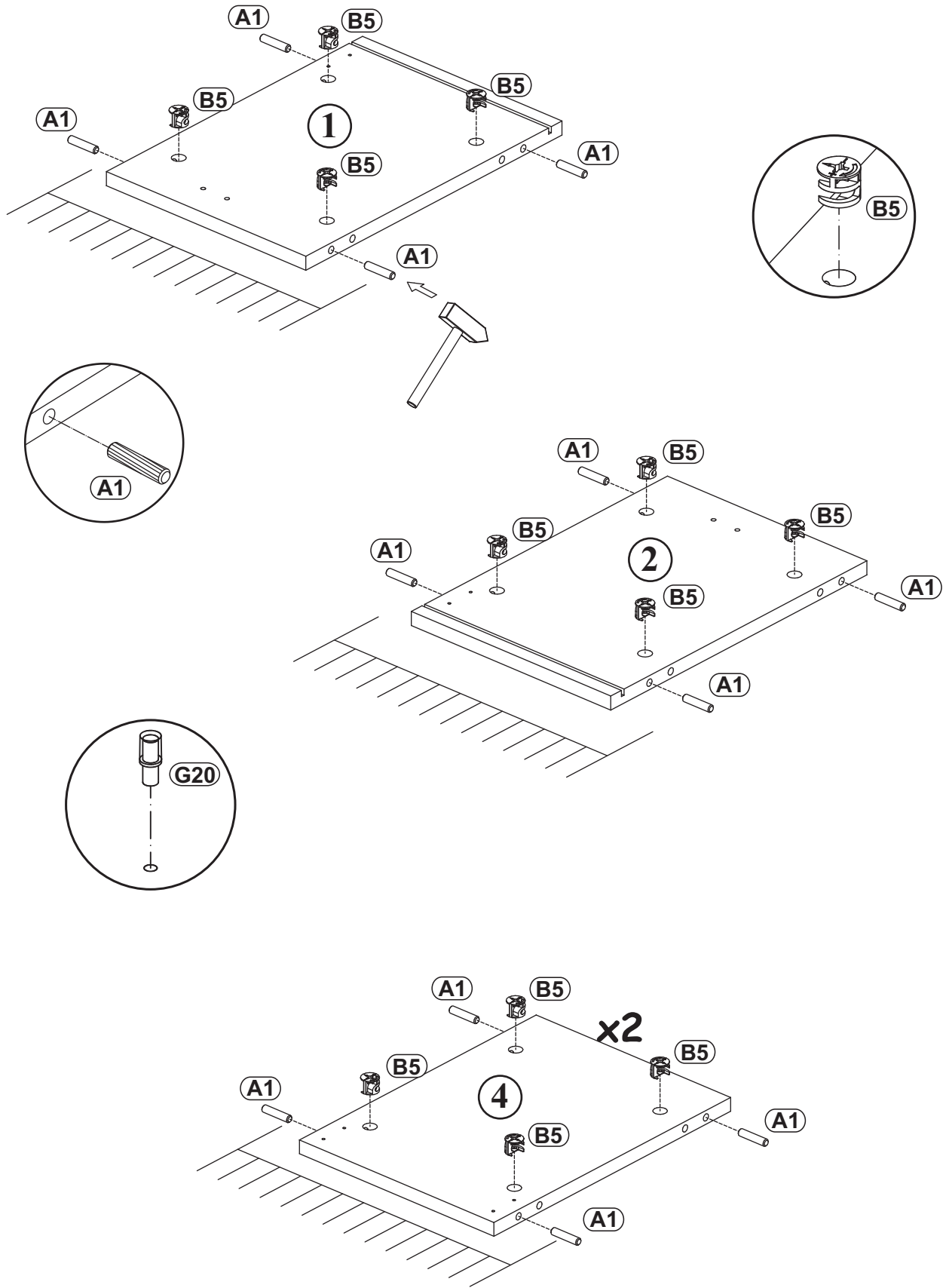
A1 x16  ø8x36	B4 x16 	B5 x16  ø15x12	G5 x16 	D7 x6  USØ3x16	G2 x1 
E1 x3 Ø26 H=0 	E2 x3 H=0 	S1 x12 	D6 x8 USØ3,5x30 	D10 x12 USØ3,5x13 	G21 x2 
ZR1 x4 	KR2 x4 	T1 x1 			



FLY TYP-30

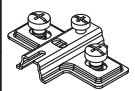
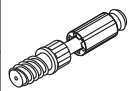
A1		B5	
x16	ø8x36	x16	ø15x12

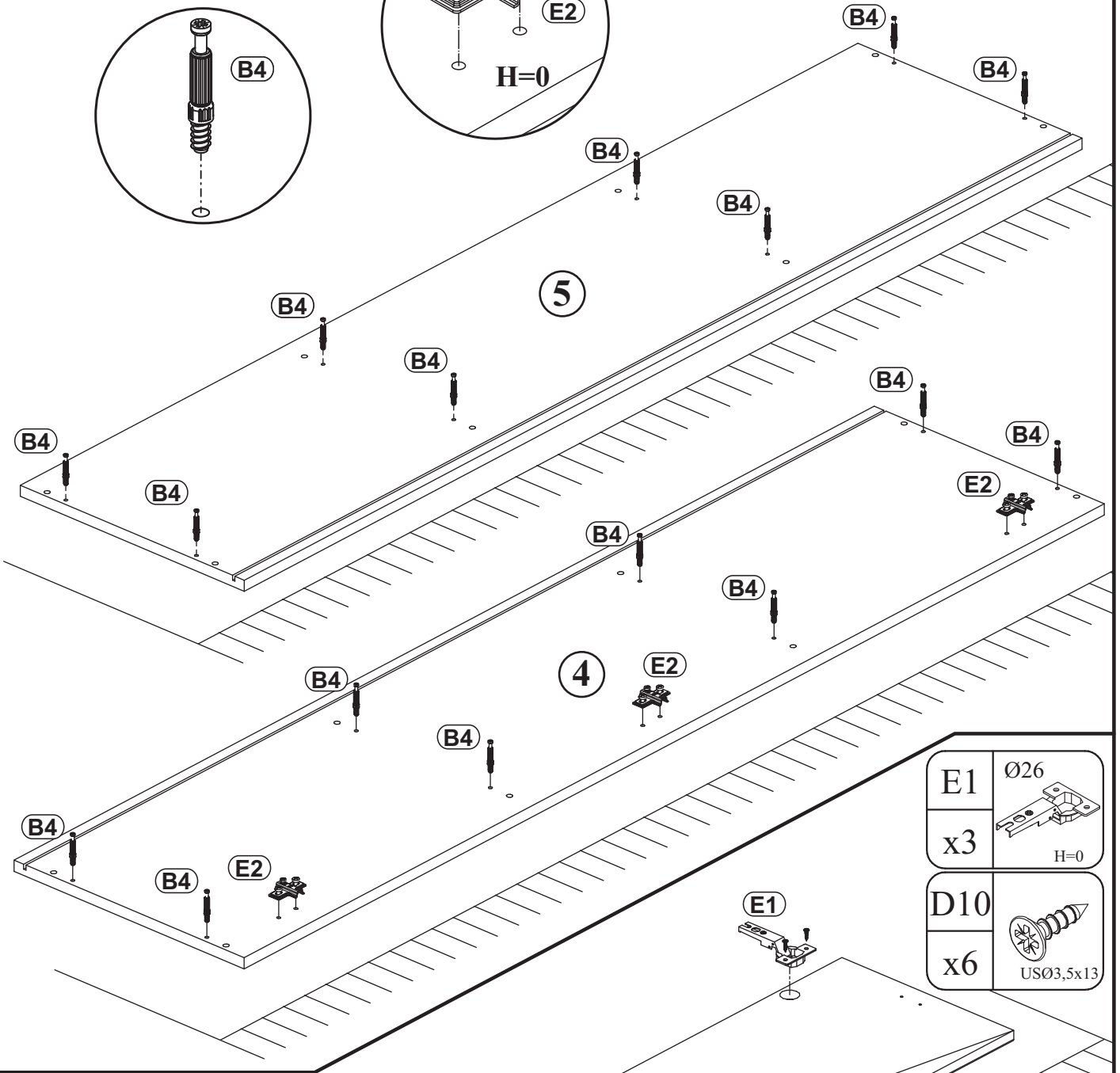
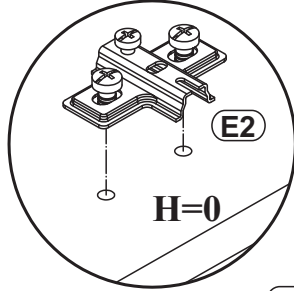
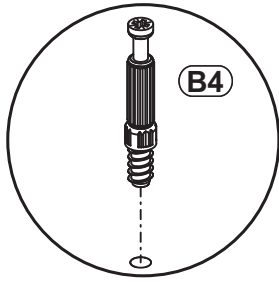
1



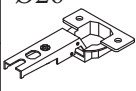
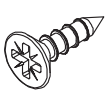
FLY TYP-30

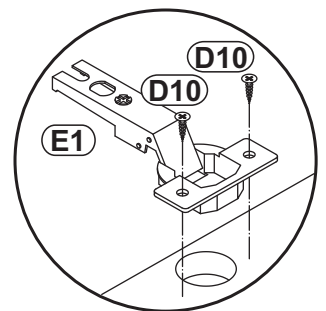
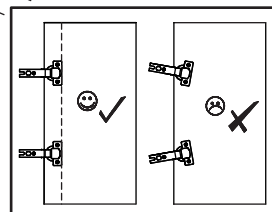
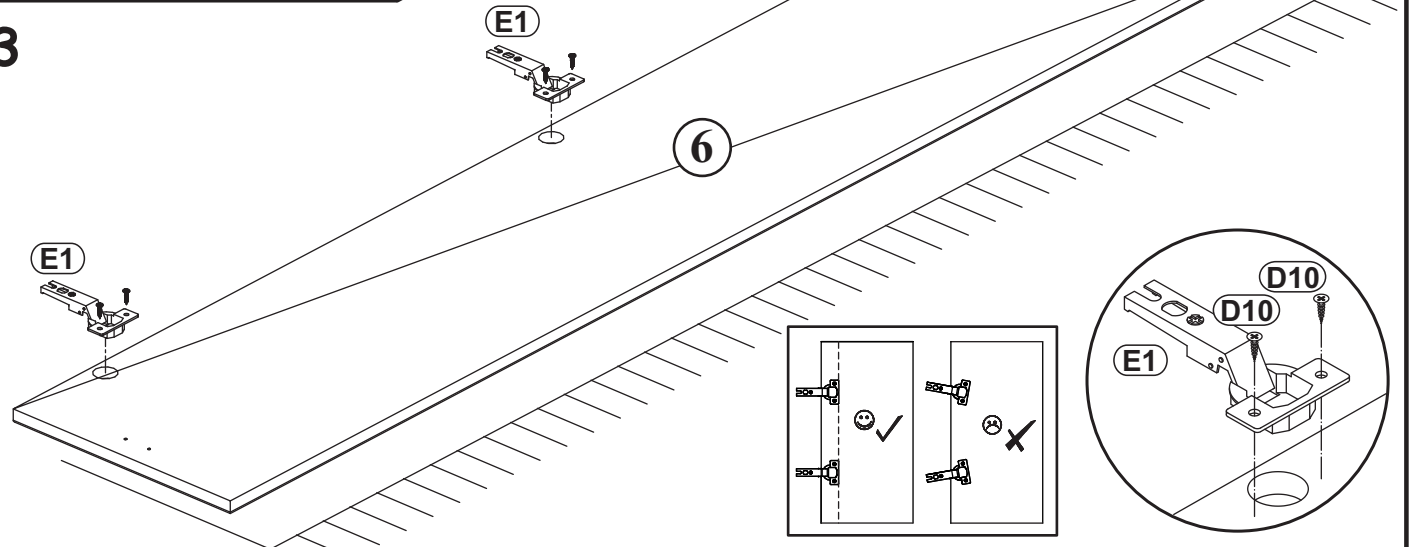
2


E2		B4	
x3	H=0	x16	



3

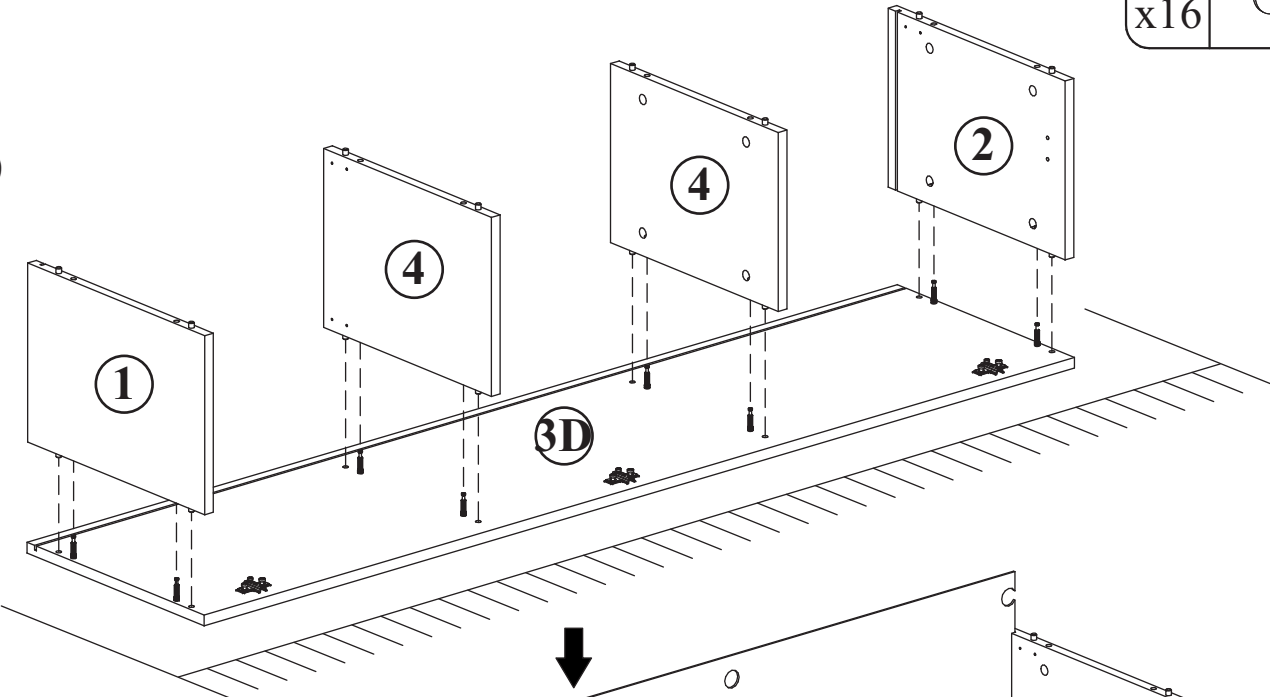
E1		Ø26
x3	H=0	
D10		
x6	USØ3,5x13	



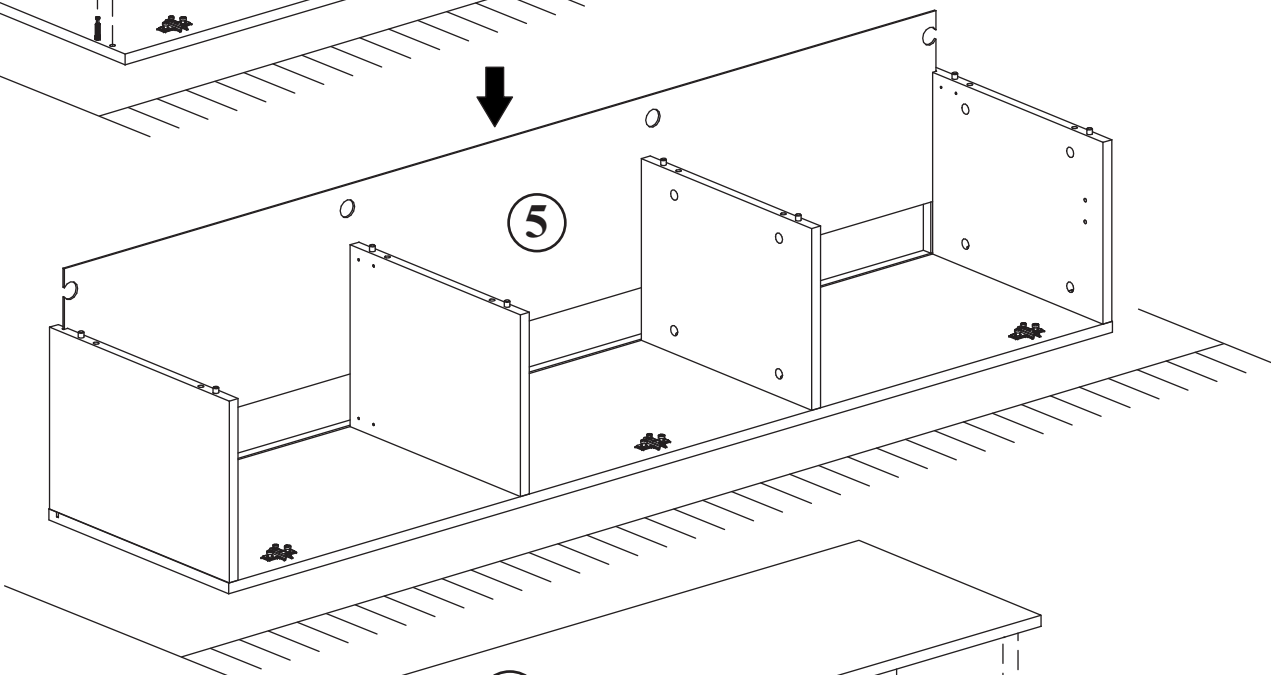
G5	
x16	

4

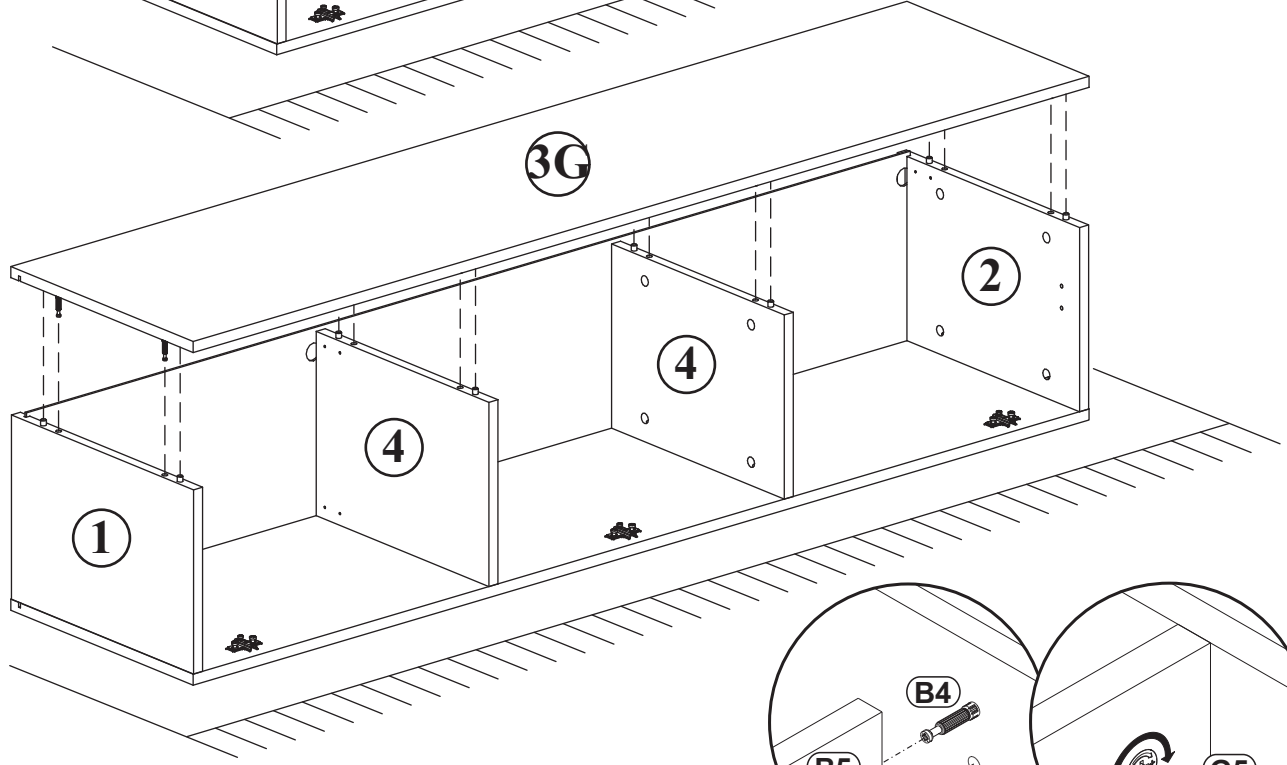
a)



b)



c)

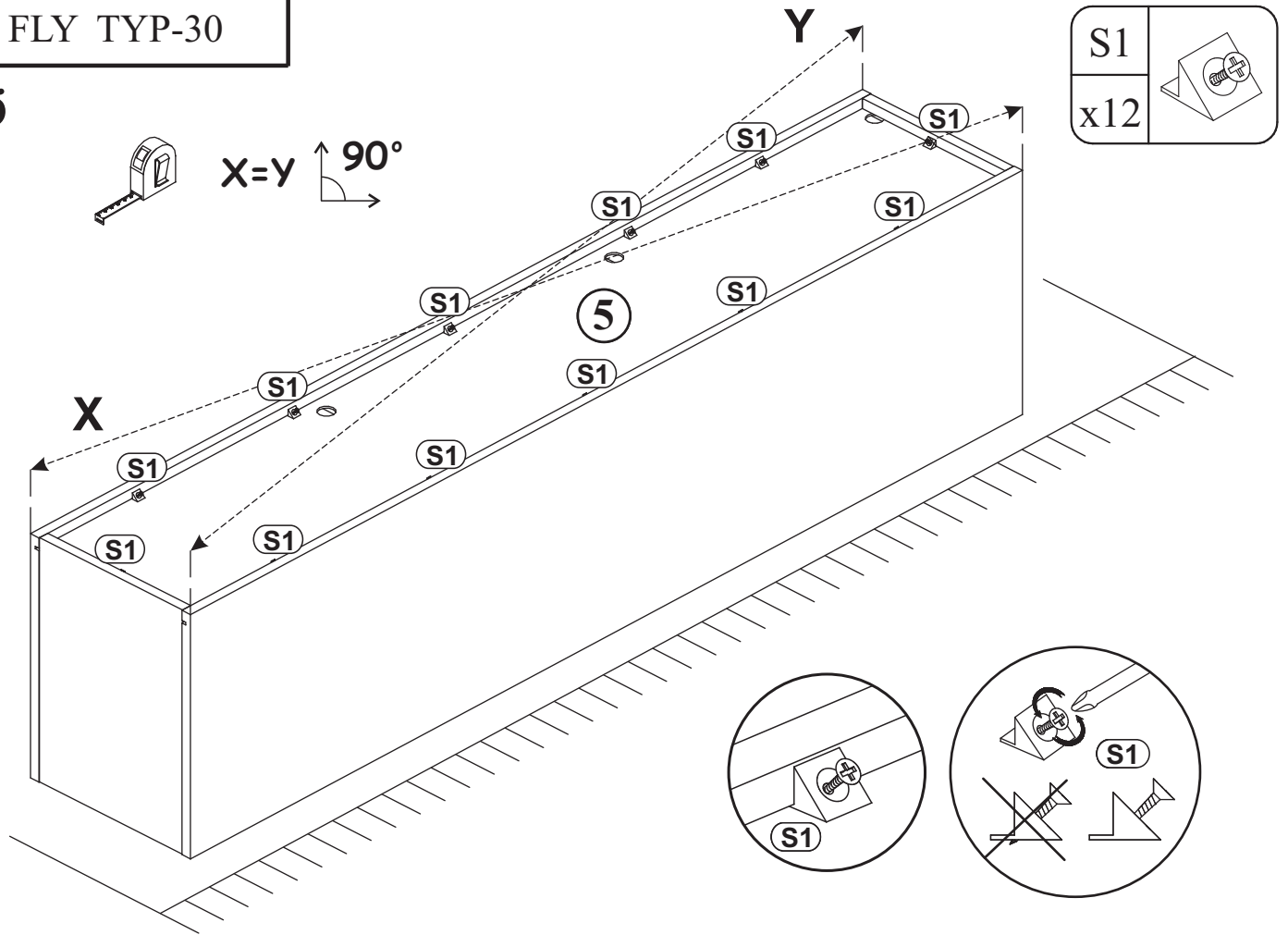


B4

B5

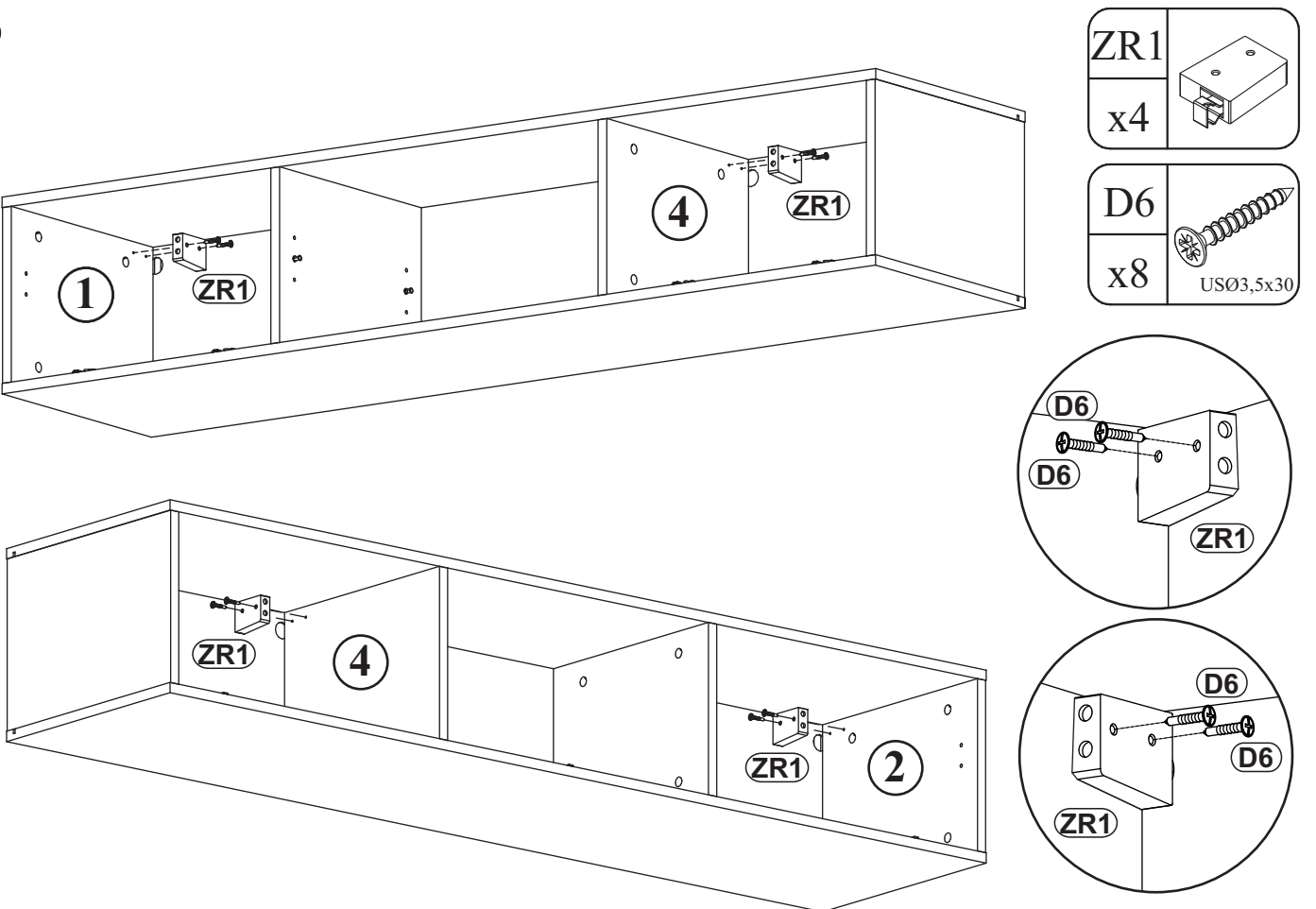
G5

5



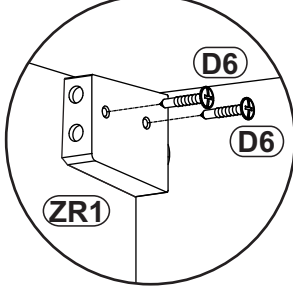
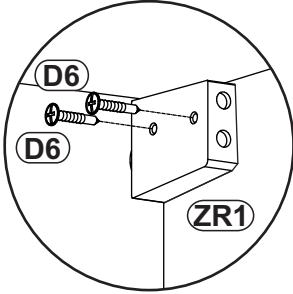
S1	
x12	

6



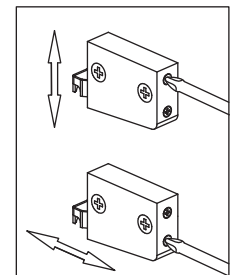
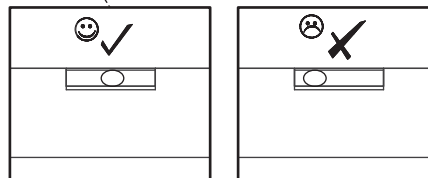
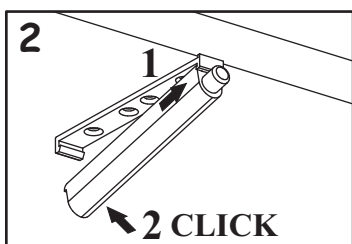
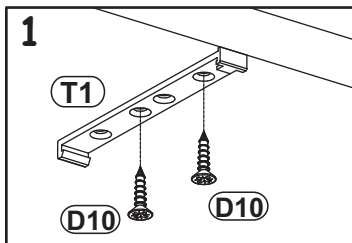
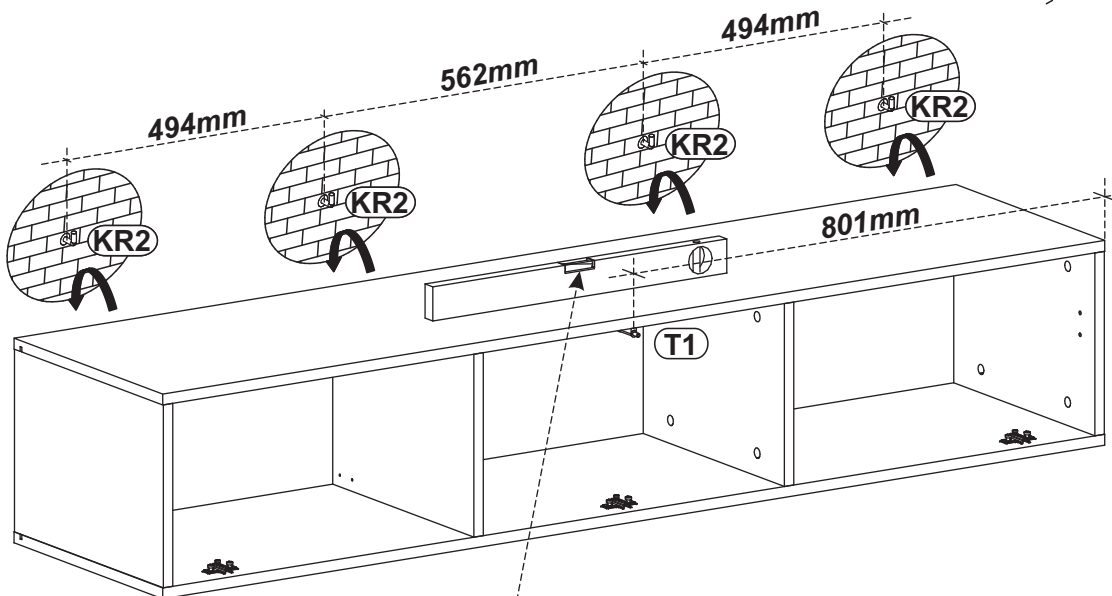
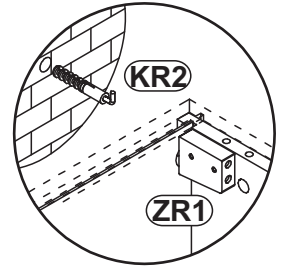
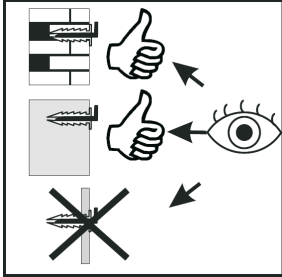
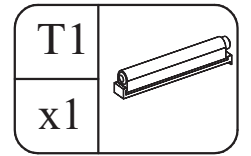
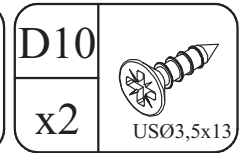
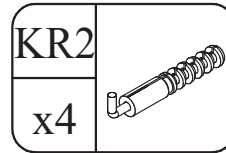
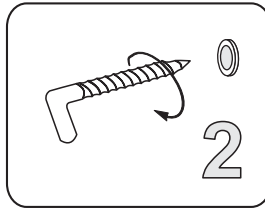
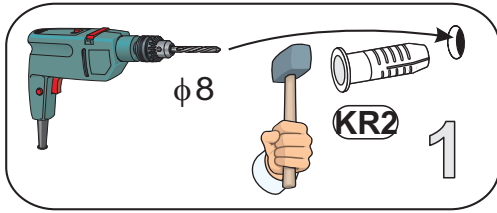
ZR1	
x4	

D6	
x8	USØ3,5x30

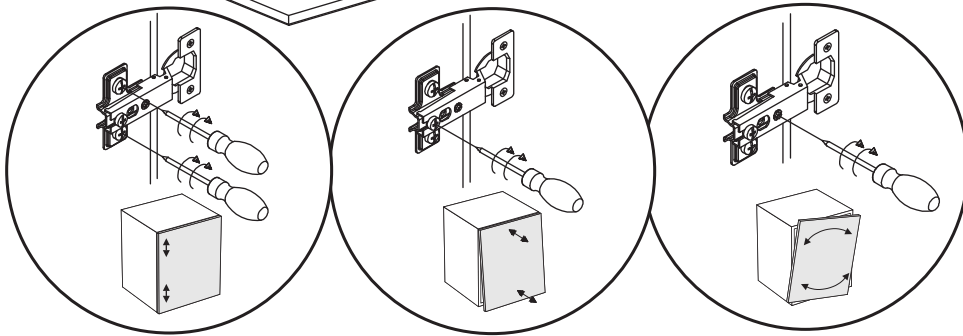
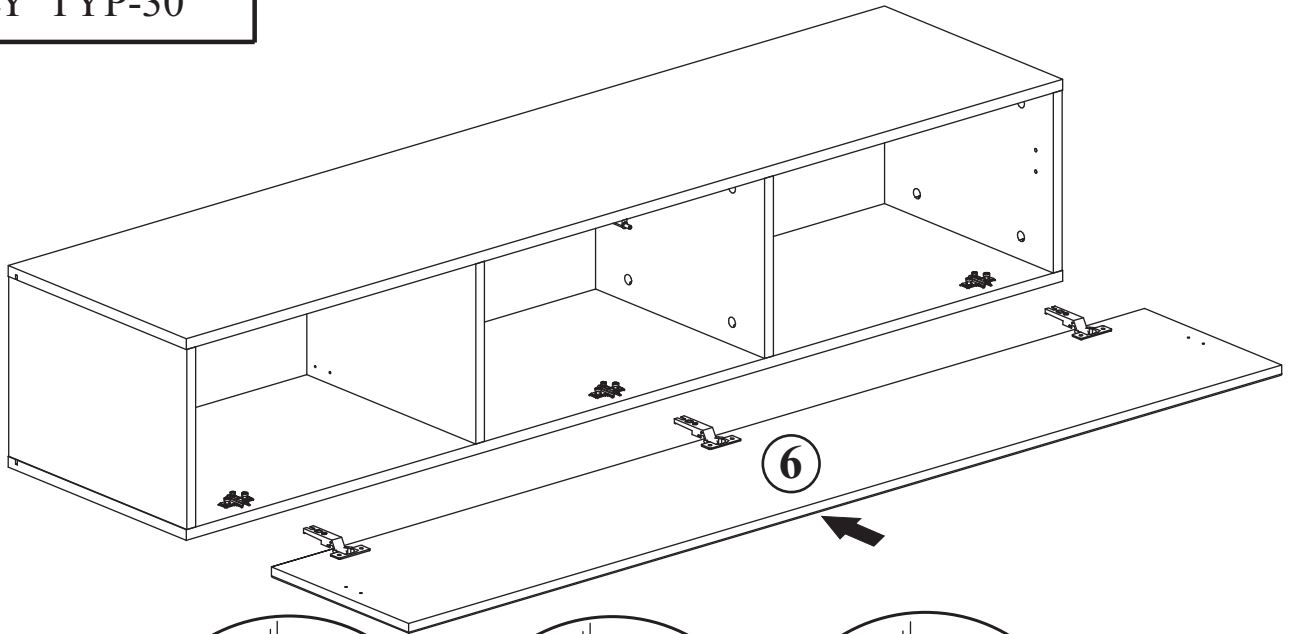


FLY TYP-30




7

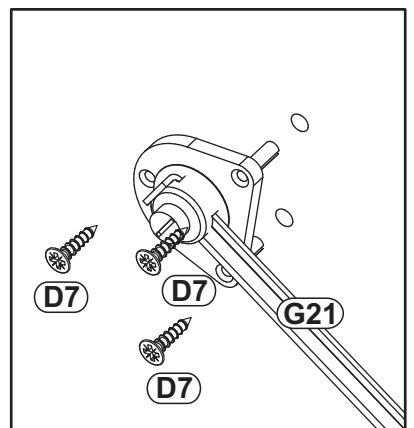
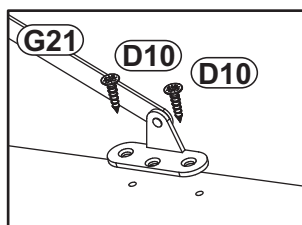
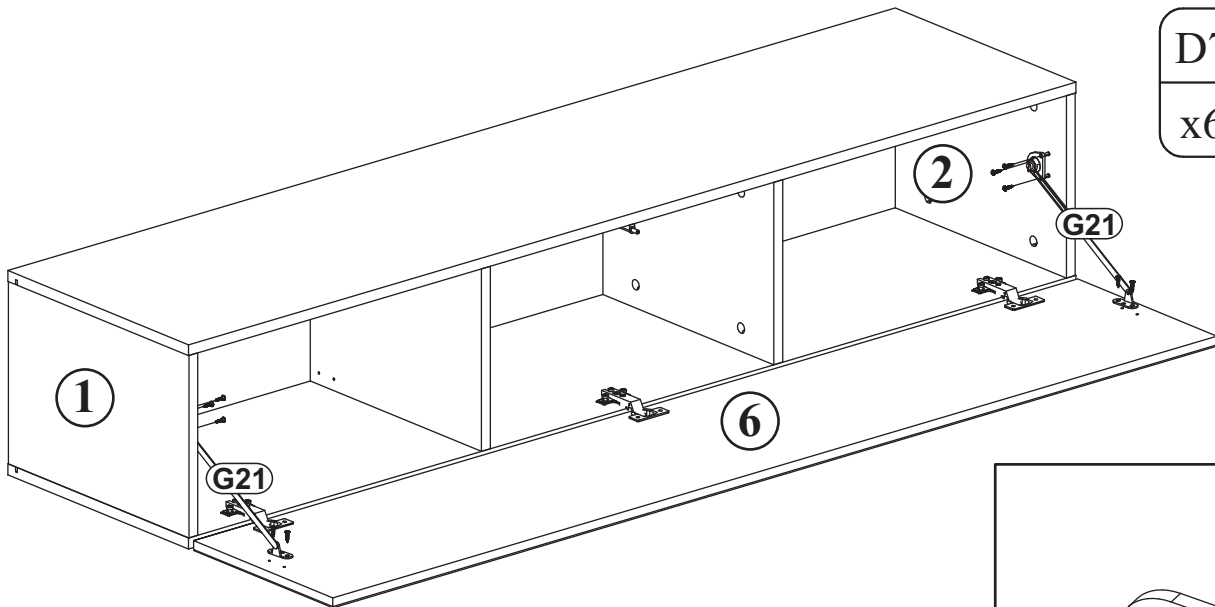


8

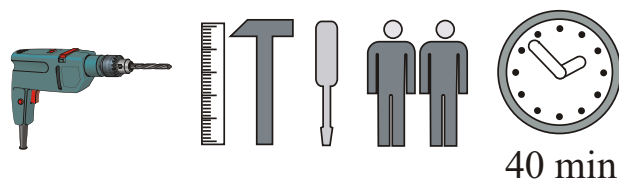
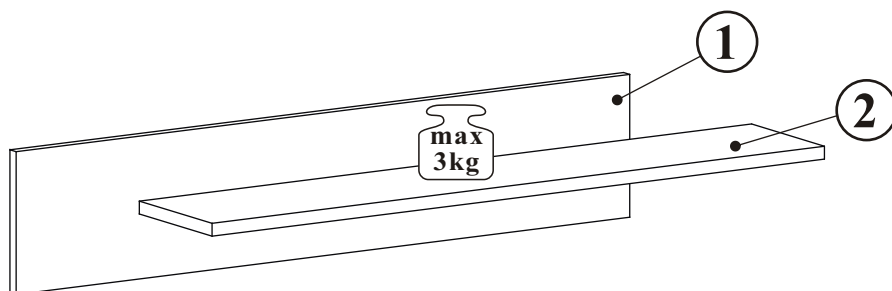
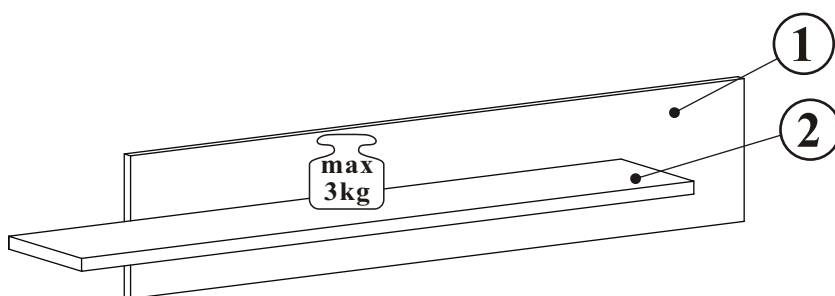
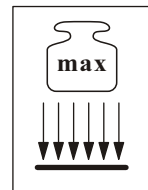
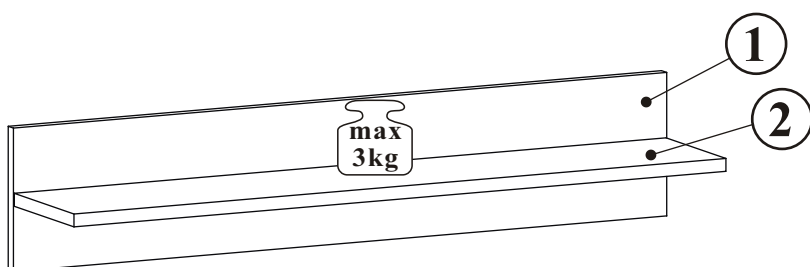


9

D10 x4	 USØ3,5x13	G21 x2	
		D7 x6	 USØ3x16

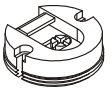



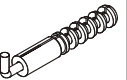



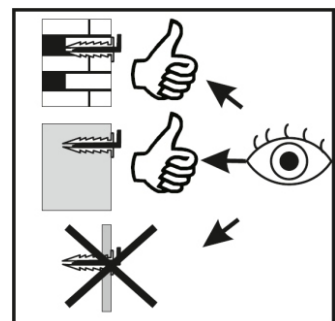
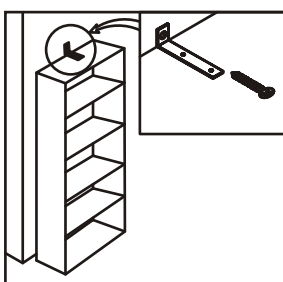
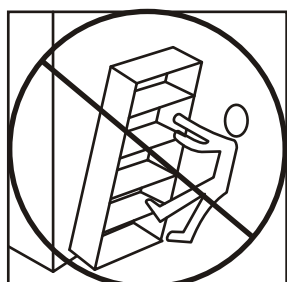
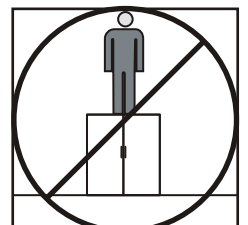
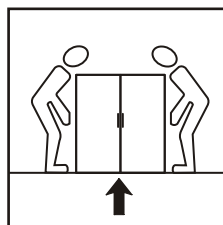
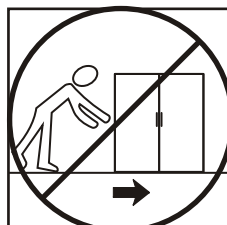
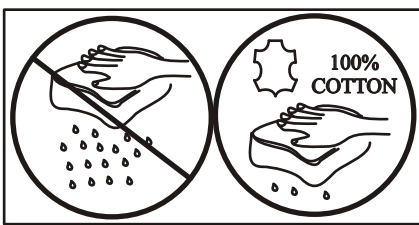
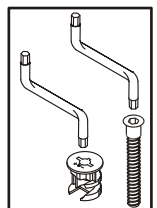
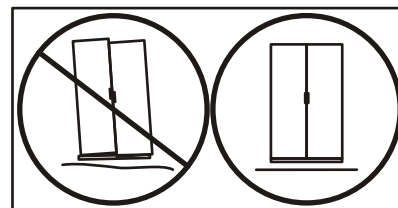
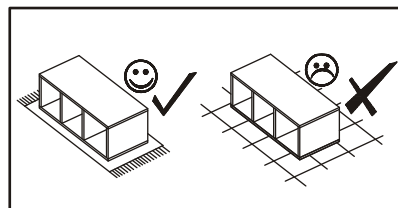
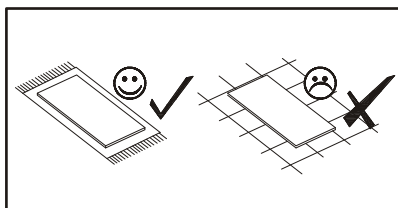
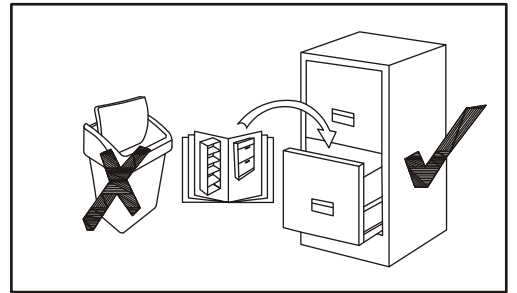
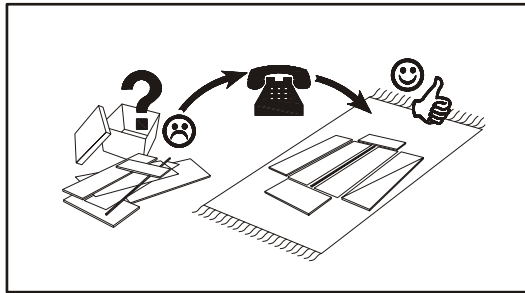
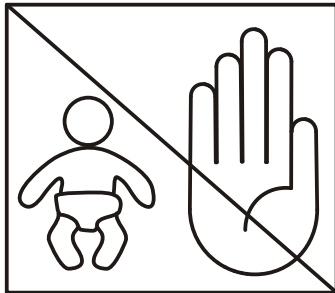
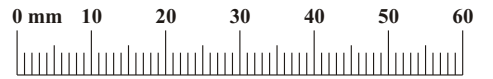
GALINO 23_MX



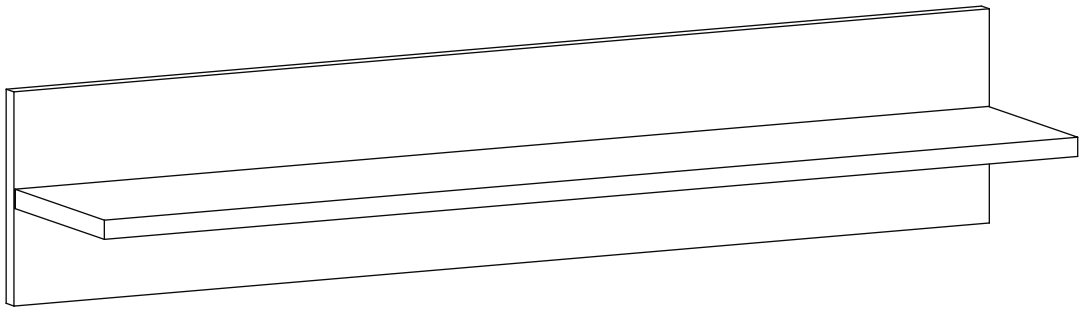
NO	Dim.		Col.-No	Qty
1	1002	200	1	2
2	1000	185	1	2

GALINO 23_MX

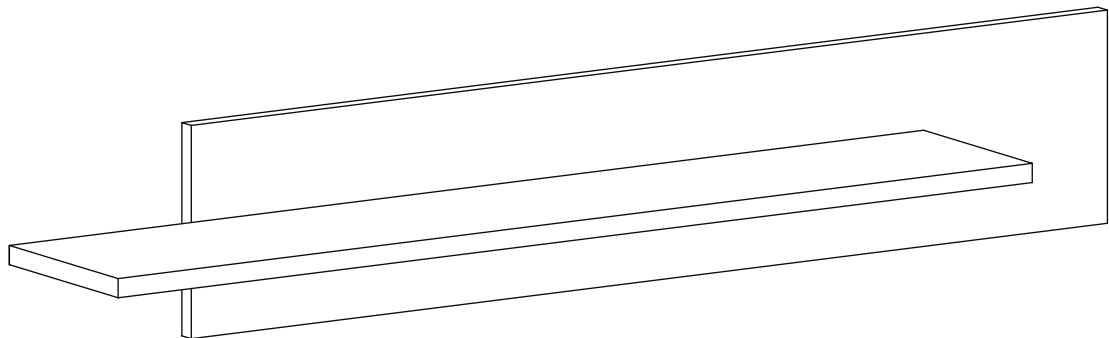
ZM1 x4		D20 x8	 ESØ6x9,5	B11 x12	 Ø7x50	G4 x12		KR2 x4		G2 x1	
-----------	---	-----------	---	------------	--	-----------	---	-----------	---	----------	---



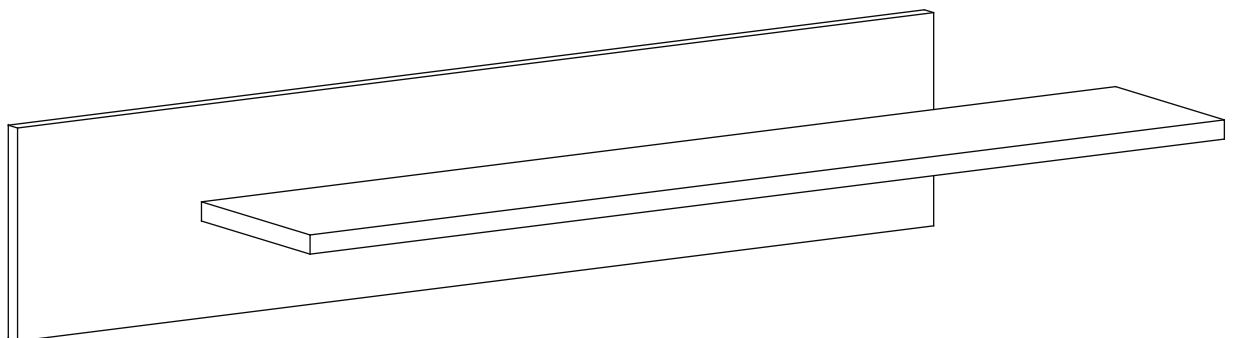
1-3



4-6

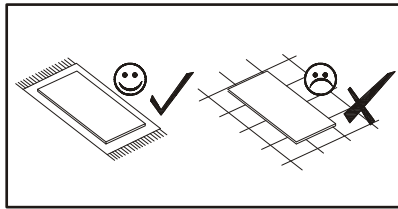


7-9

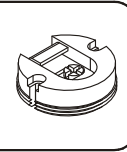


GALINO 23_MX

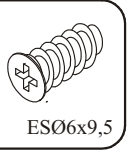
1



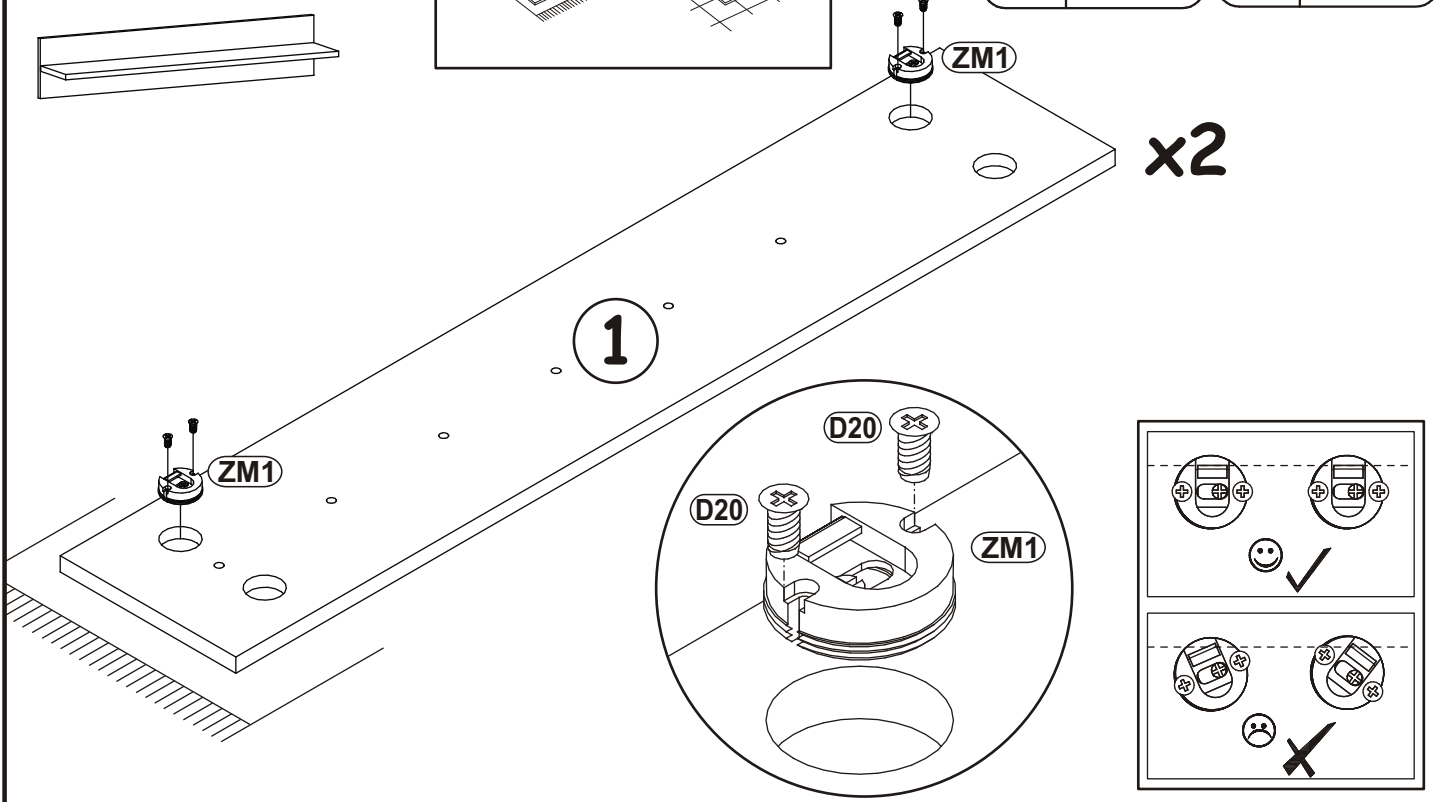
ZM1
x4



D20
x8

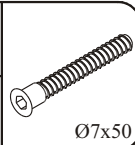


ESØ6x9,5



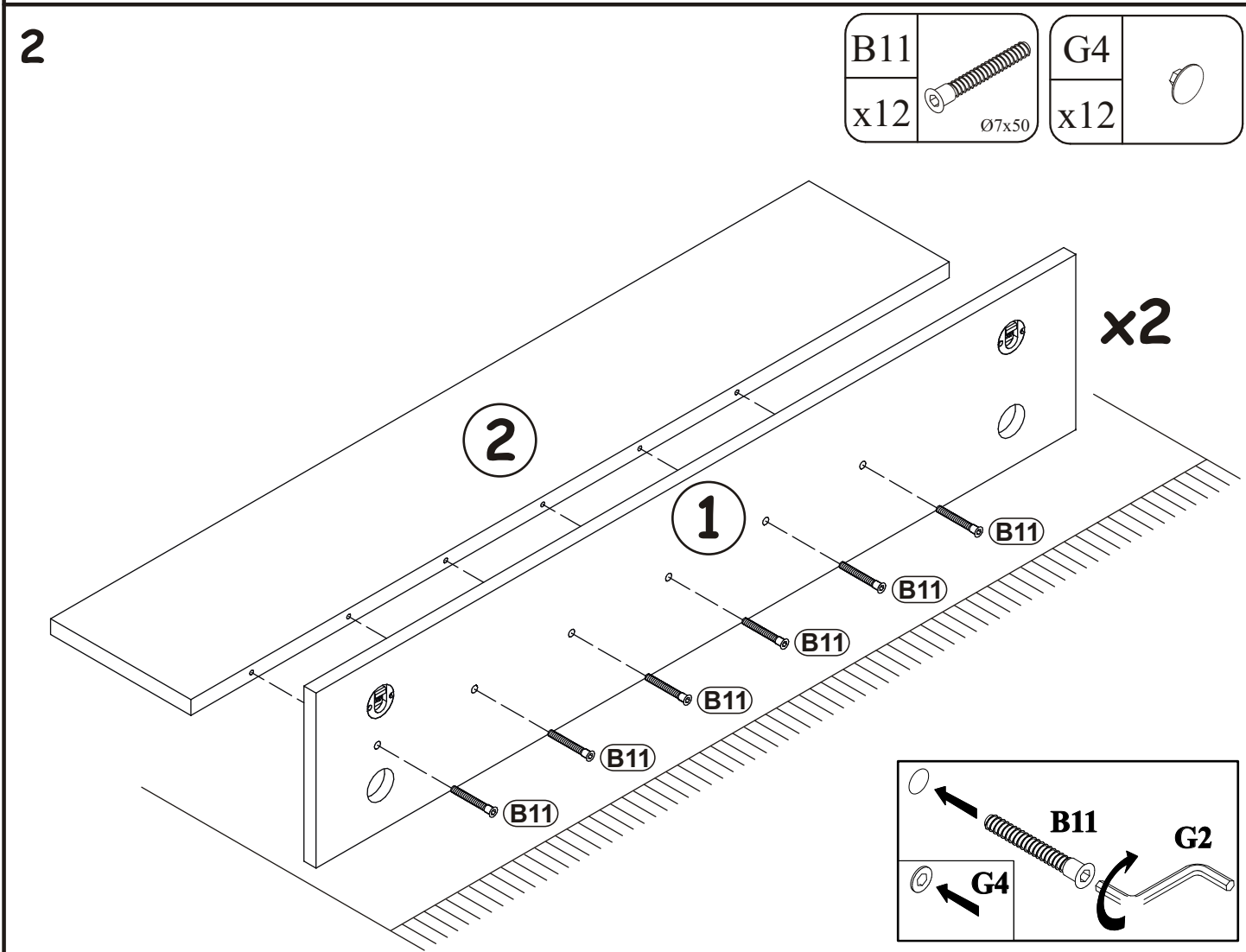
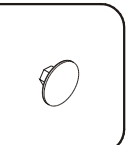
2

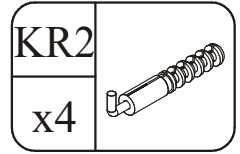
B11
x12



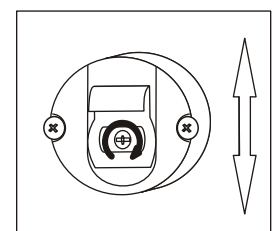
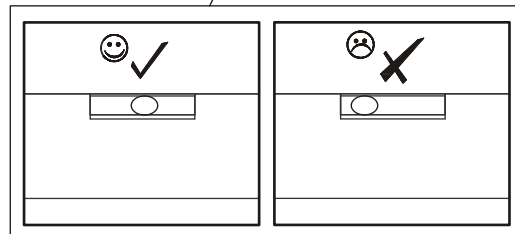
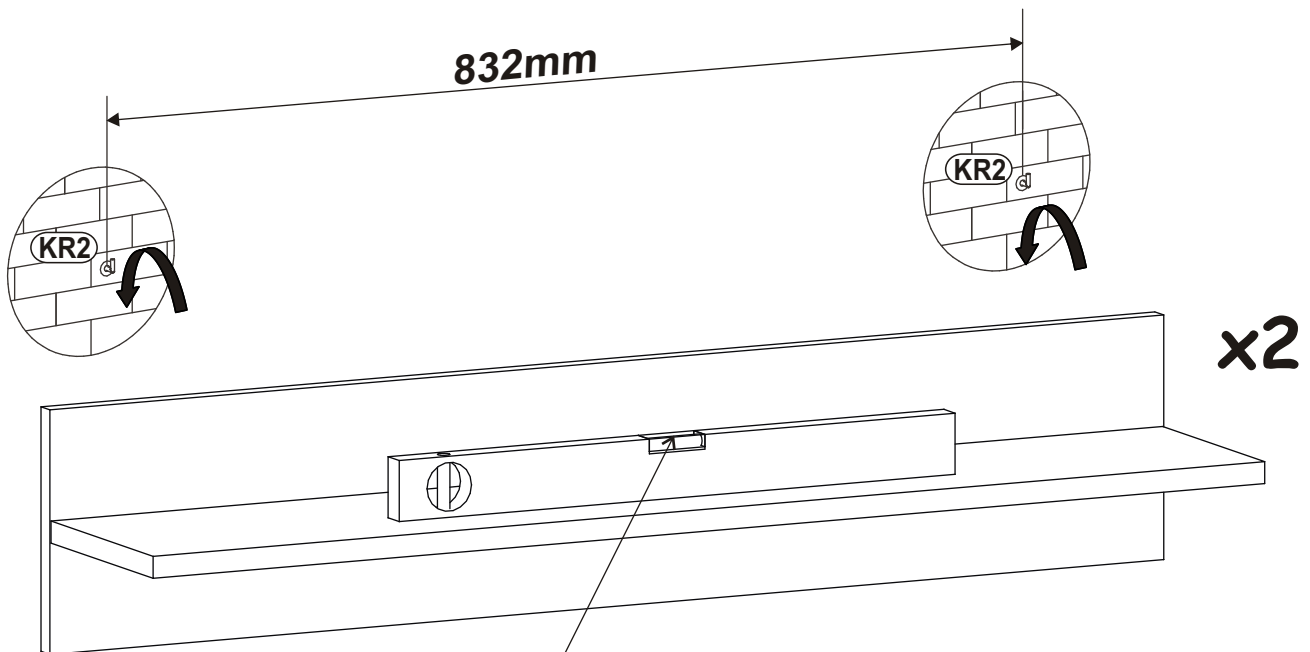
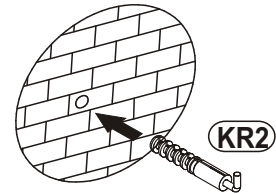
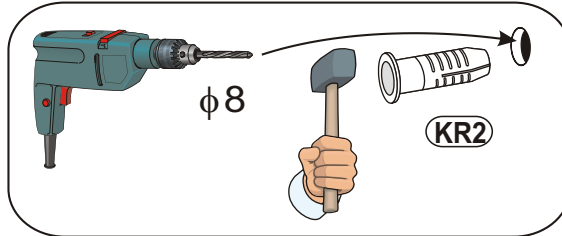
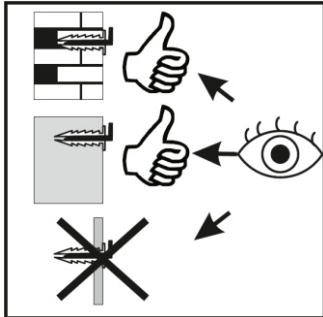
Ø7x50

G4
x12

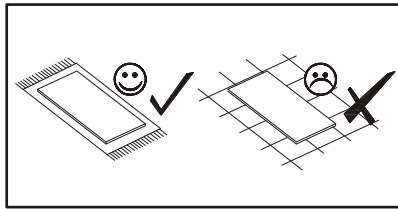




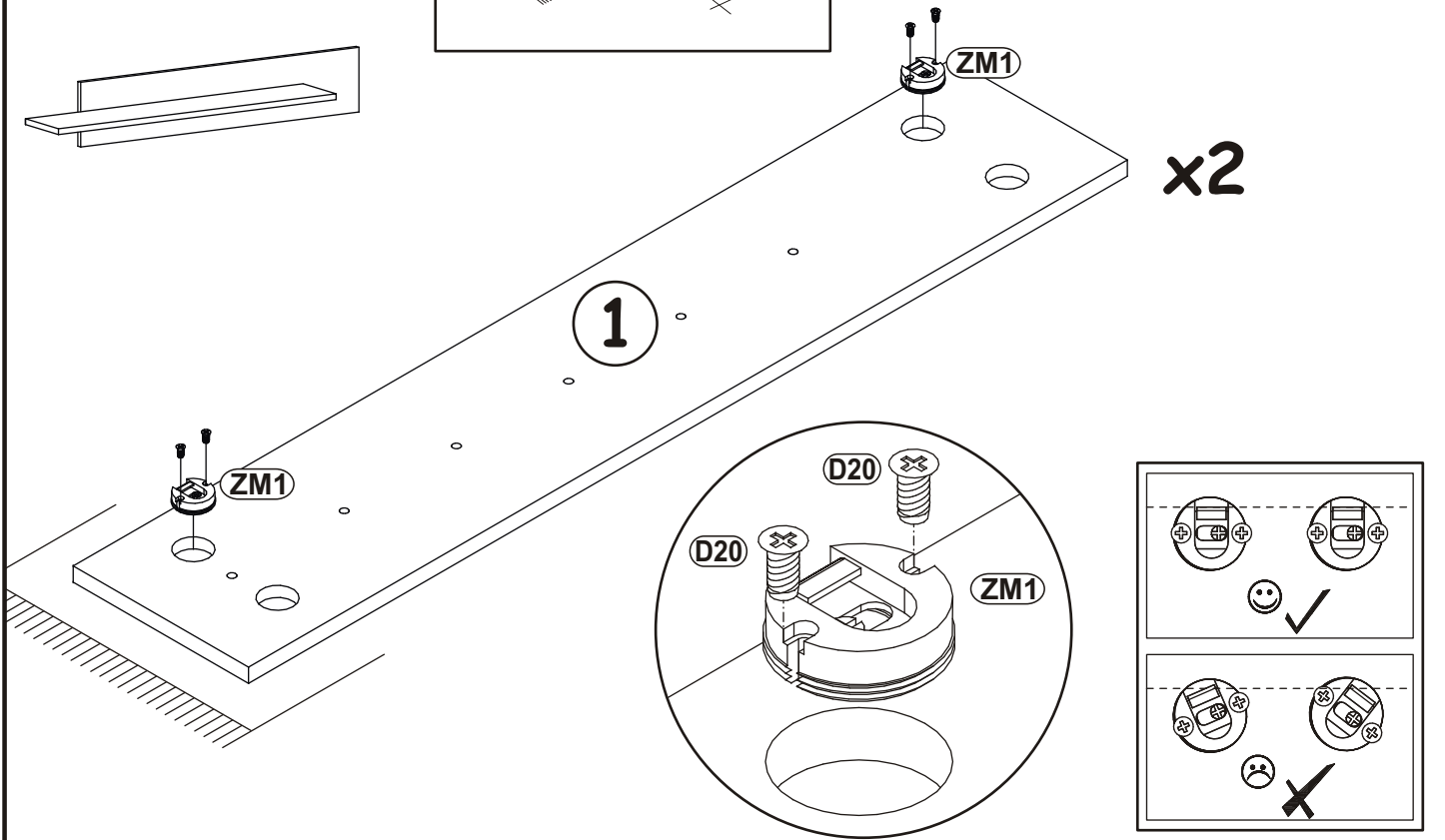
3



4

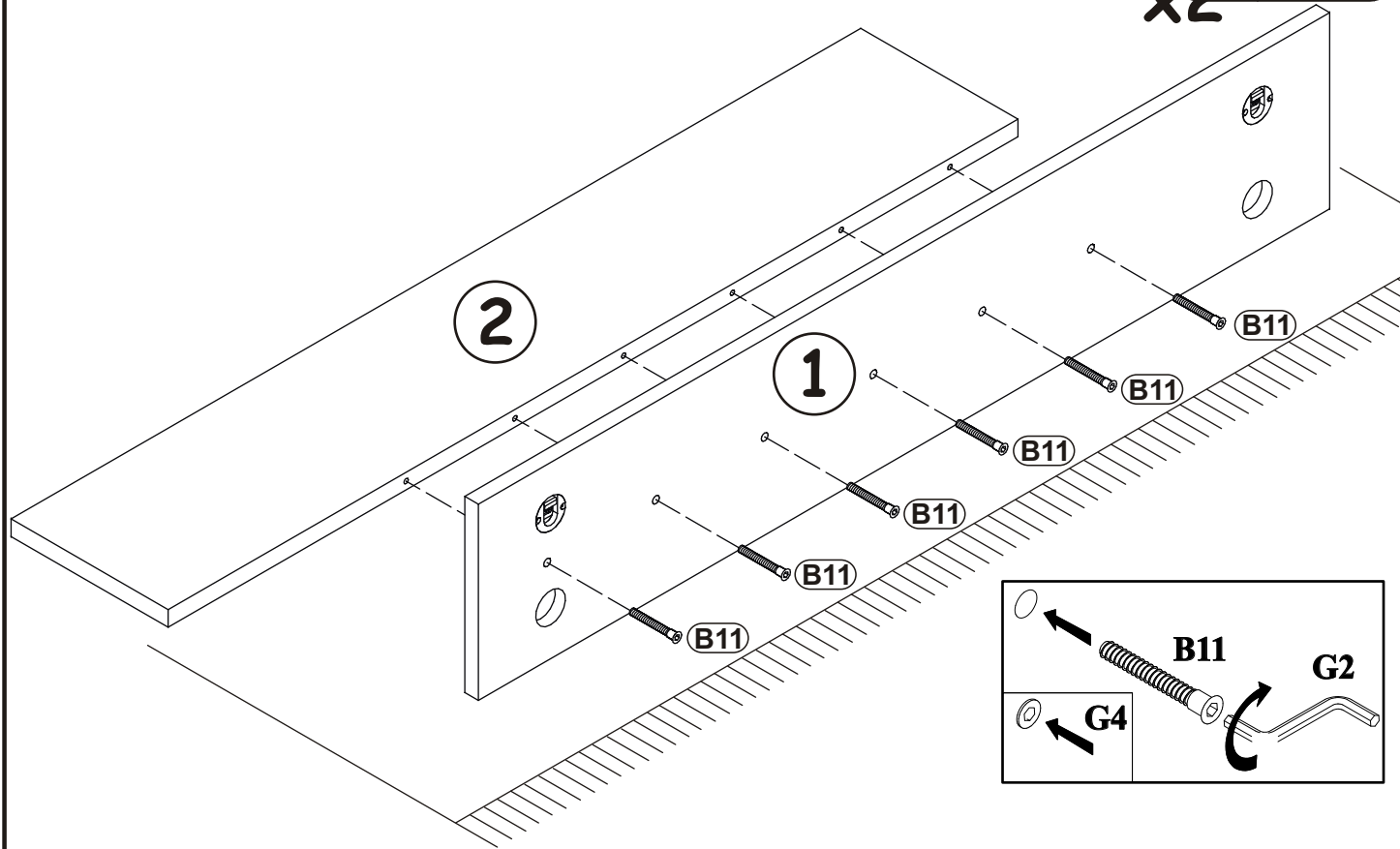


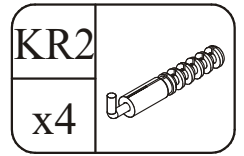
ZM1		D20	
x4		x8	ESØ6x9,5



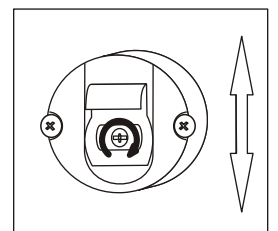
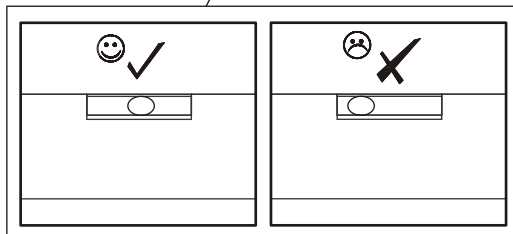
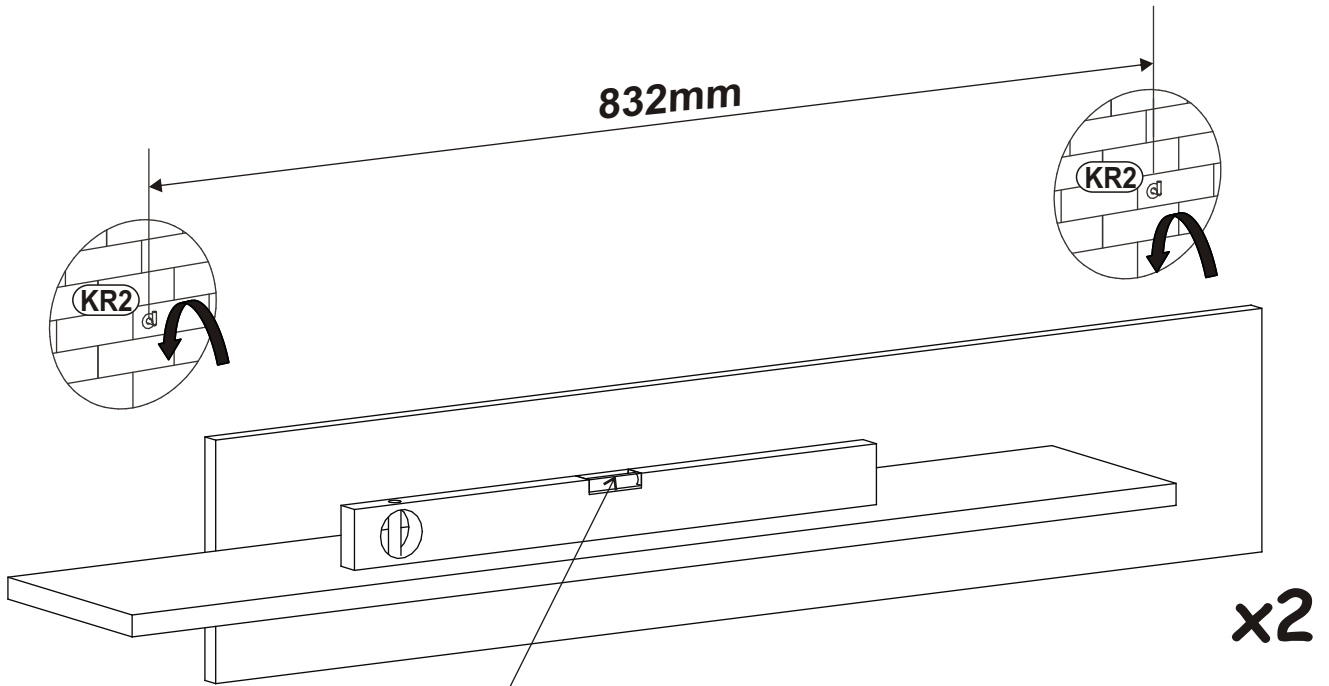
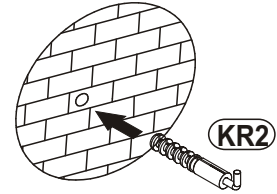
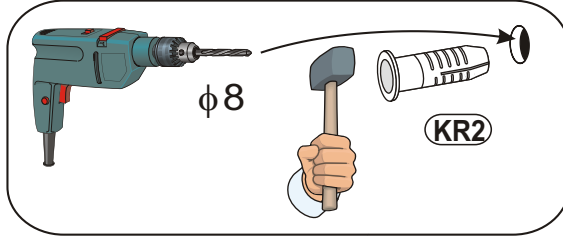
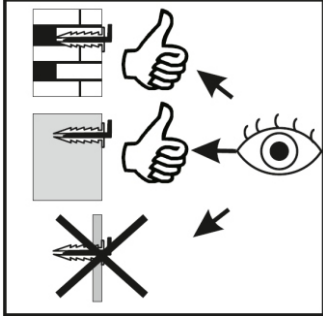
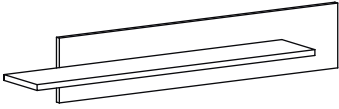
5

B11		G4	
x12	Ø7x50	x12	

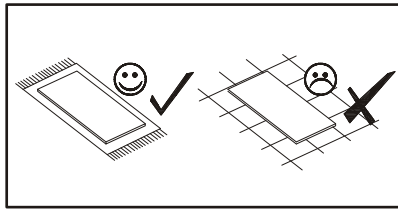




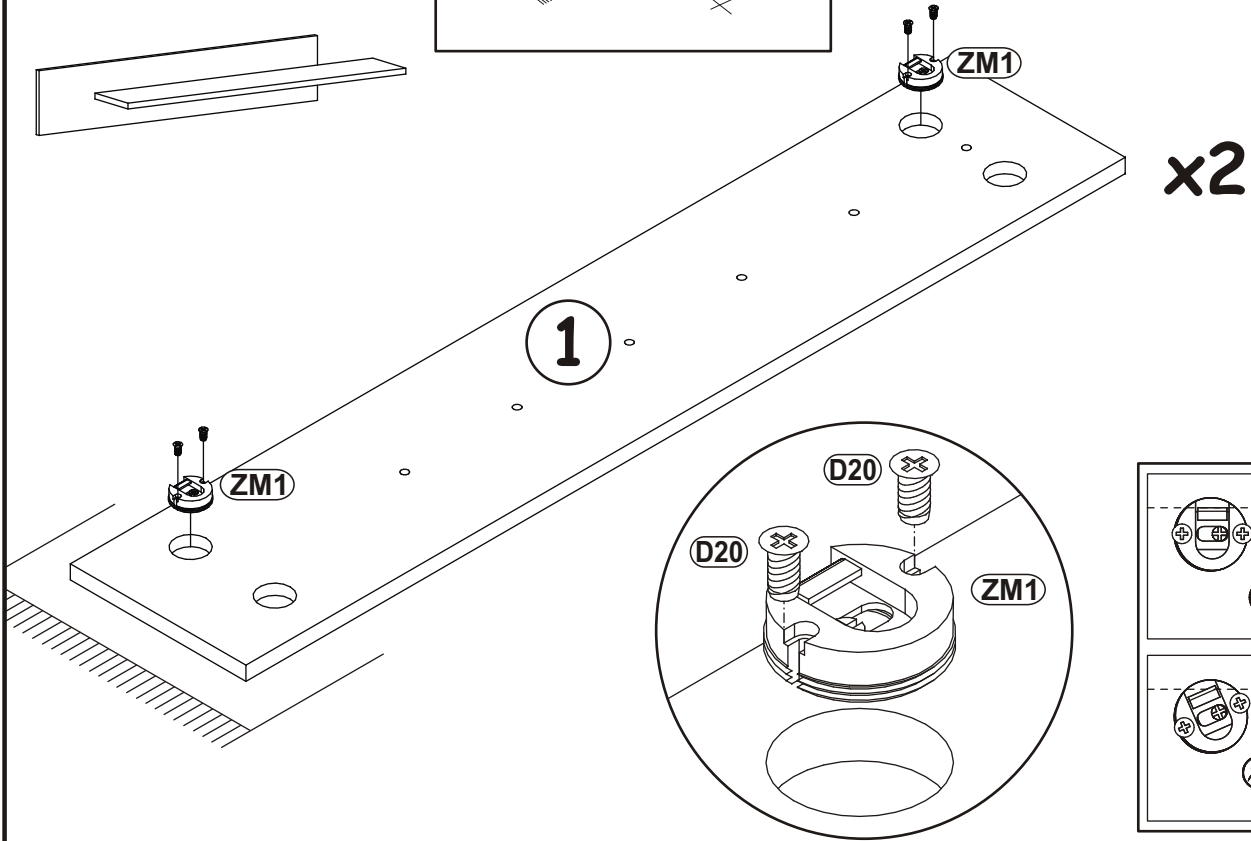
6



7

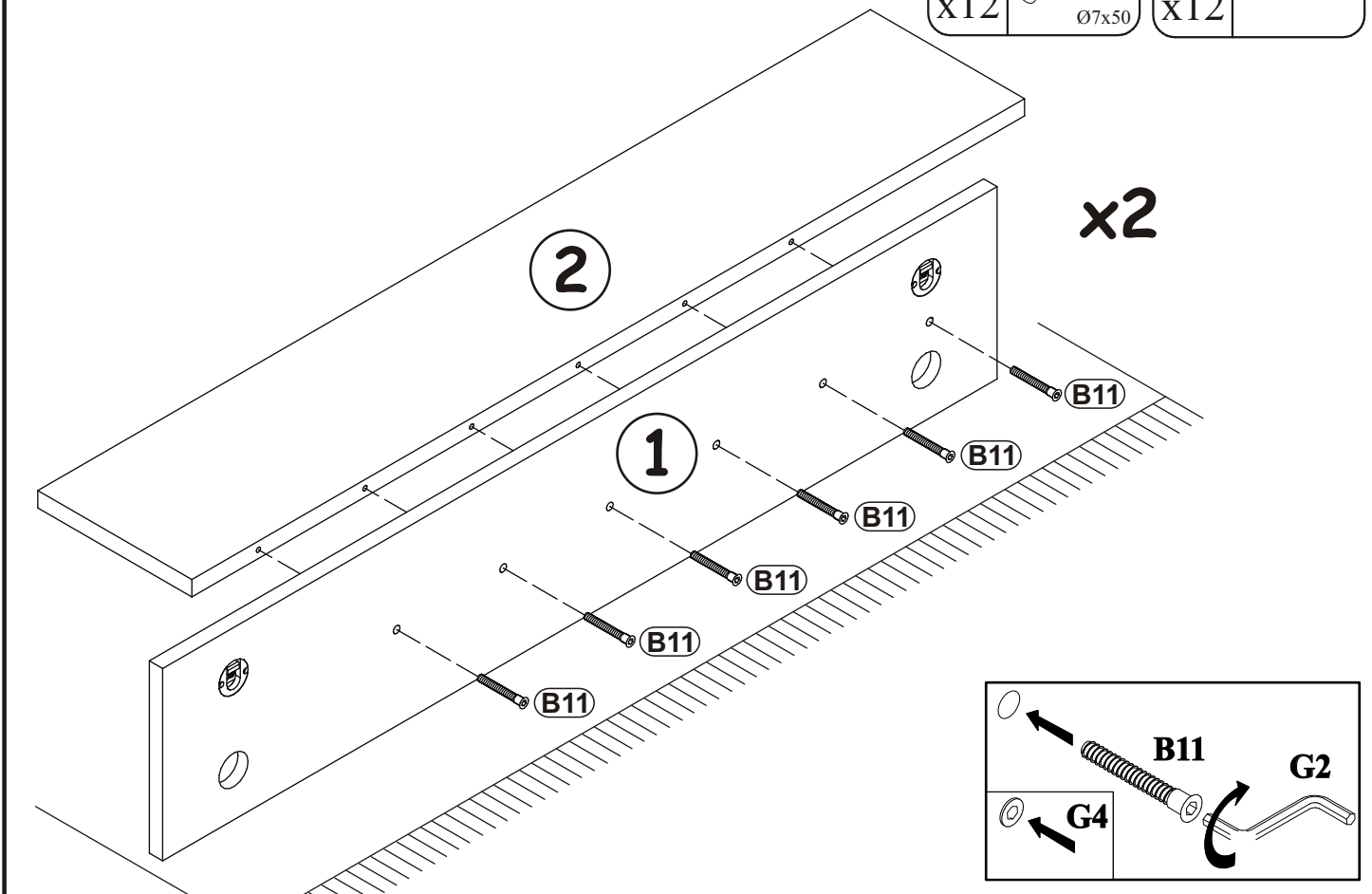


ZM1		D20	
x4		x8	



8

B11		G4	
x12	Ø7x50	x12	



9

