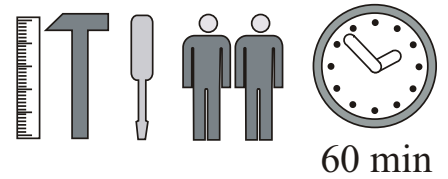
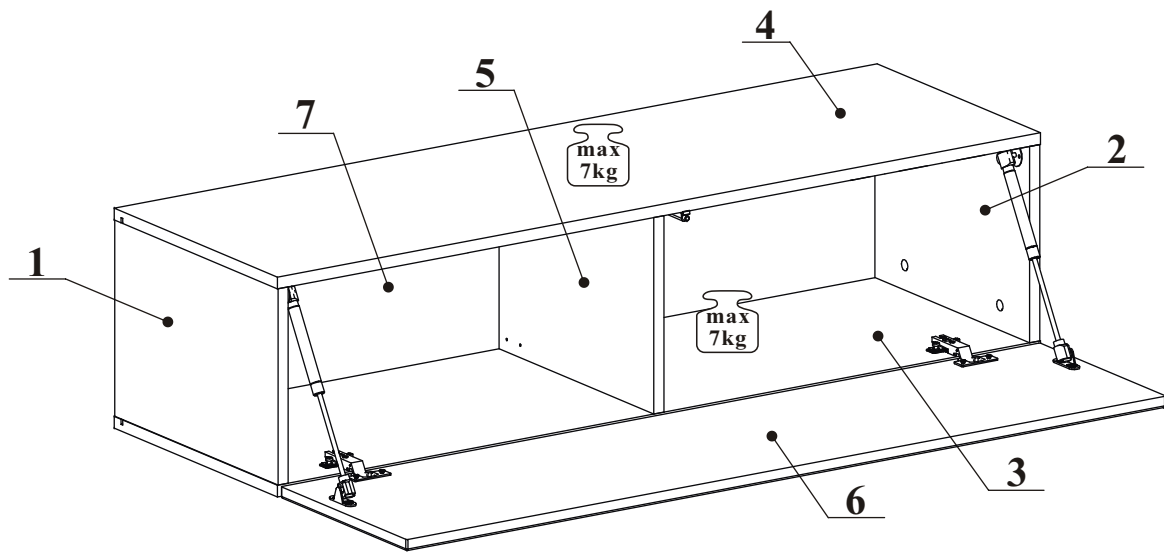
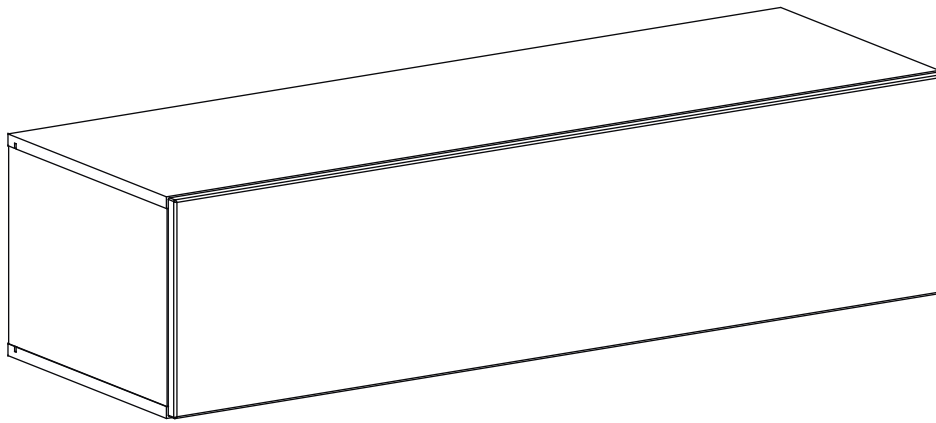
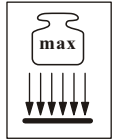


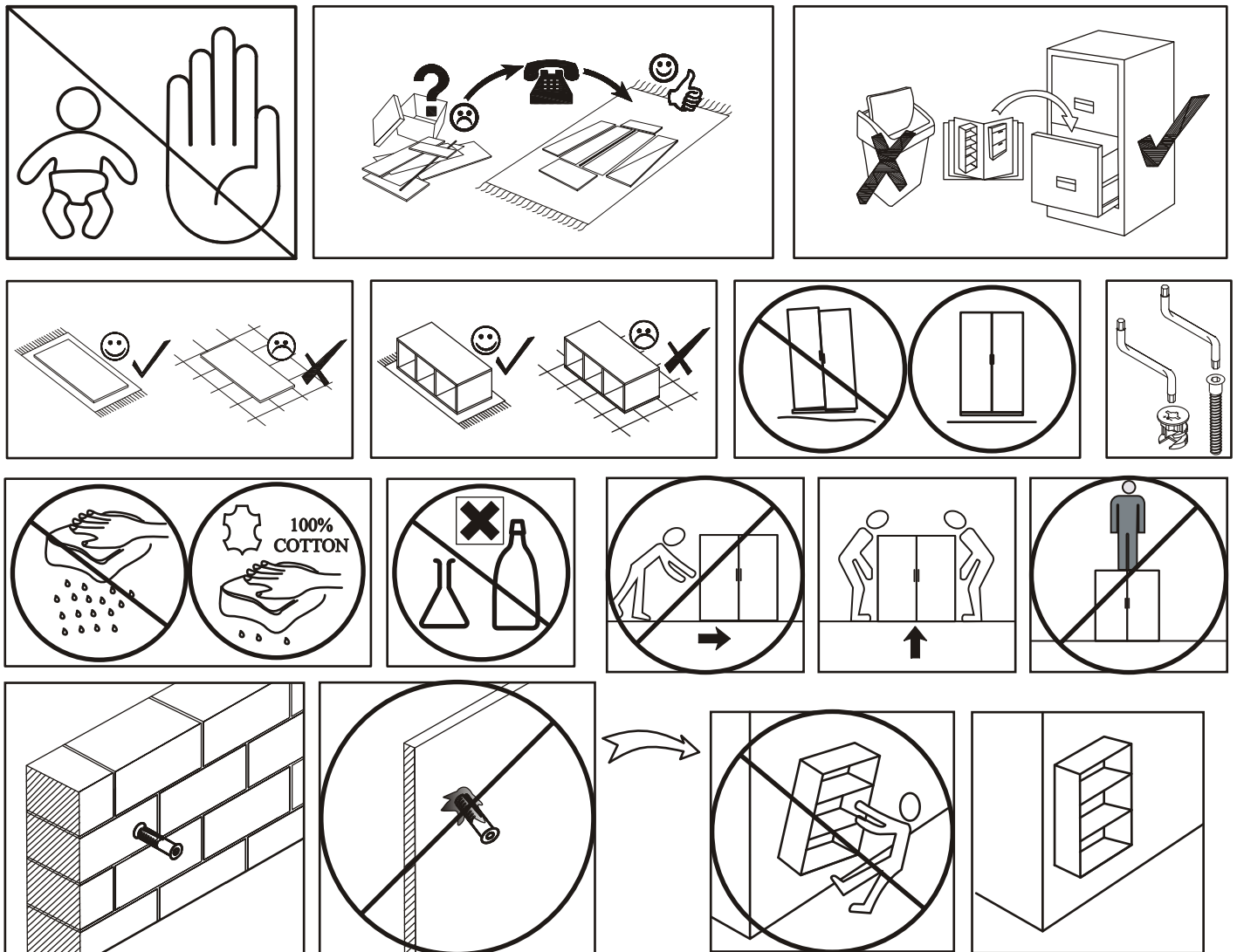
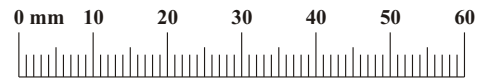
SWITCH RTV 2



| NO | Dim. | | Col.-No | Qty |
|----|------|-----|---------|-----|
| 1 | 268 | 384 | 1 | 1 |
| 2 | 268 | 384 | 1 | 1 |
| 3 | 1202 | 384 | 1 | 1 |
| 4 | 1202 | 384 | 1 | 1 |
| 5 | 268 | 364 | 1 | 1 |
| 7 | 1180 | 280 | 1 | 1 |
| 6 | 1196 | 296 | 1 | 1 |

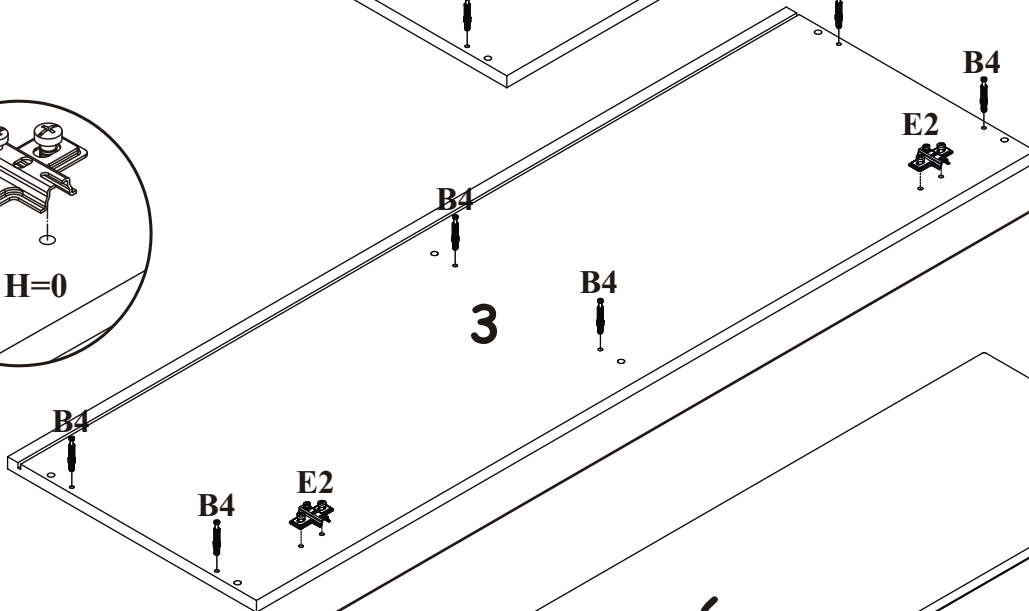
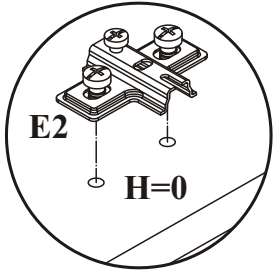
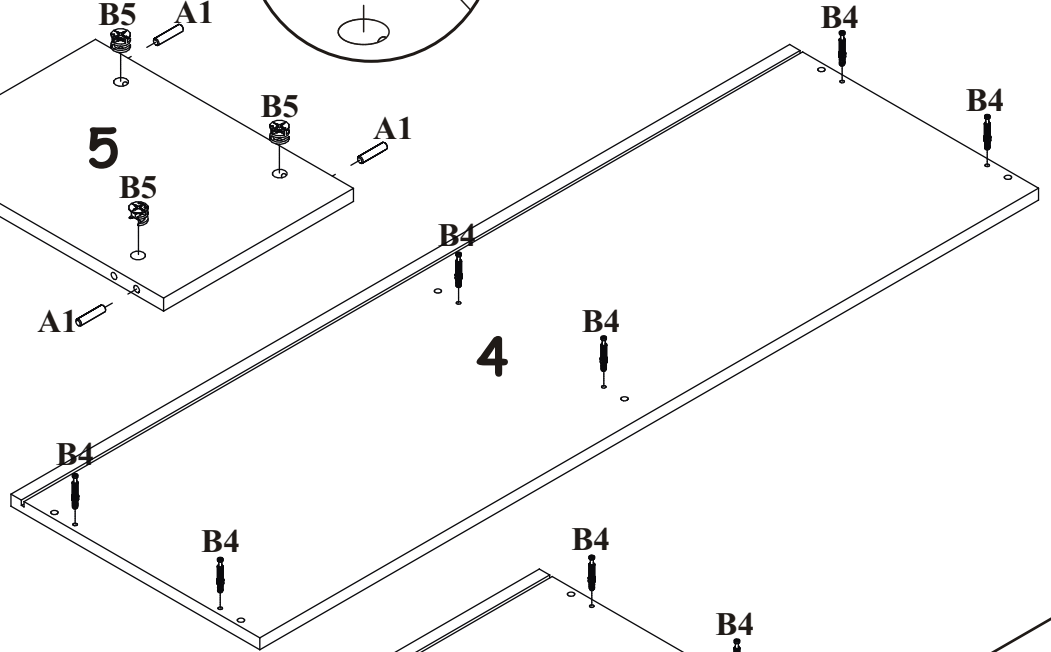
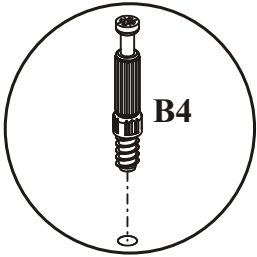
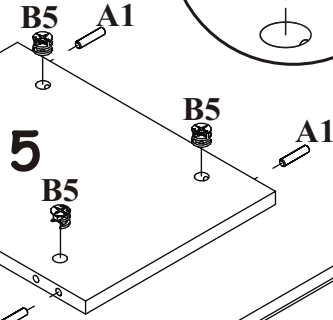
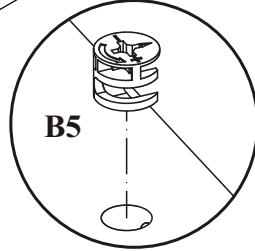
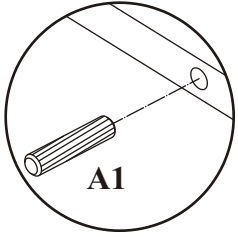
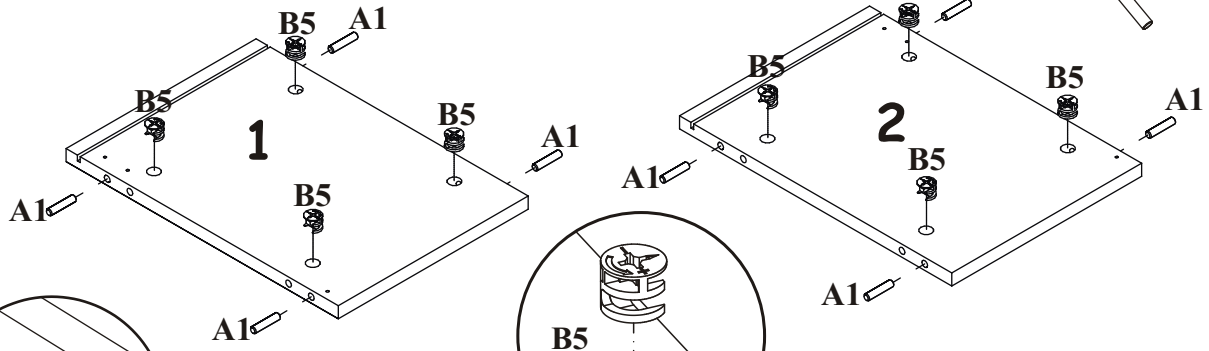
SWITCH RTV 2

| | | | | | |
|------------------------|-----------------|-------------------------|---------------------|-----------|-----------------------|
| A1 X12 ø8x36 | B4 X12 | G5 X12 | B5 X12 ø15x12 | ZR1 X3 | D6 X6 USØ3,5x30 |
| E1 X2 Ø26 H=0 | E2 X2 H=0 | D10 X10 USØ3,5x13 | OD1 X1 | S1 X10 | BP1 X2 |
| KR2 X3 | G2 X1 | | | | |

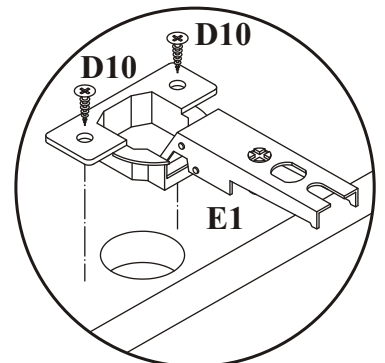
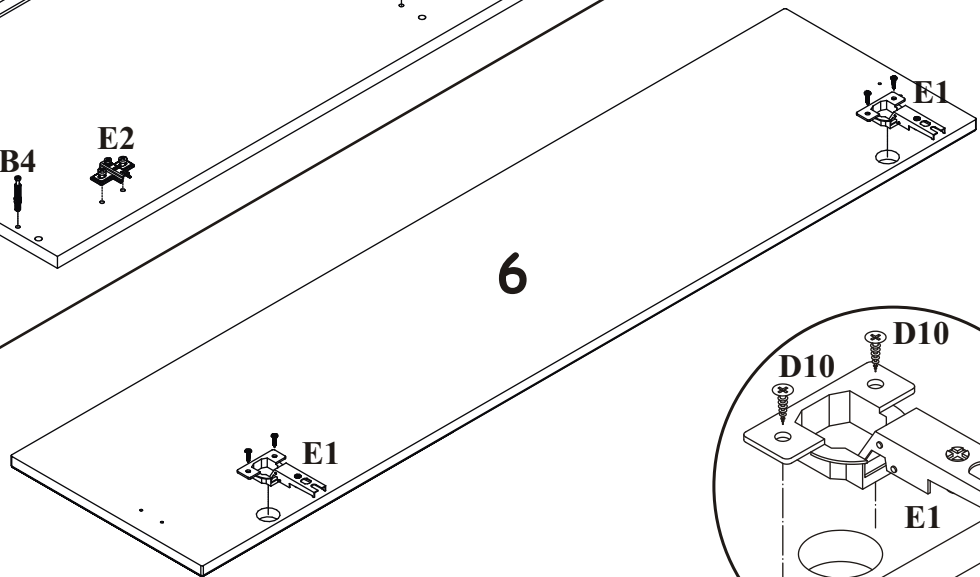


SWITCH RTV 2

1

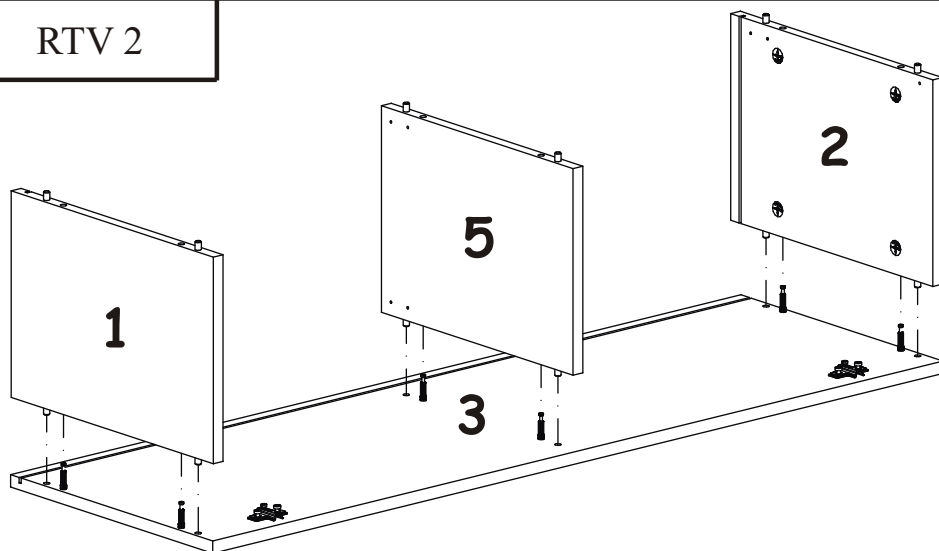


2

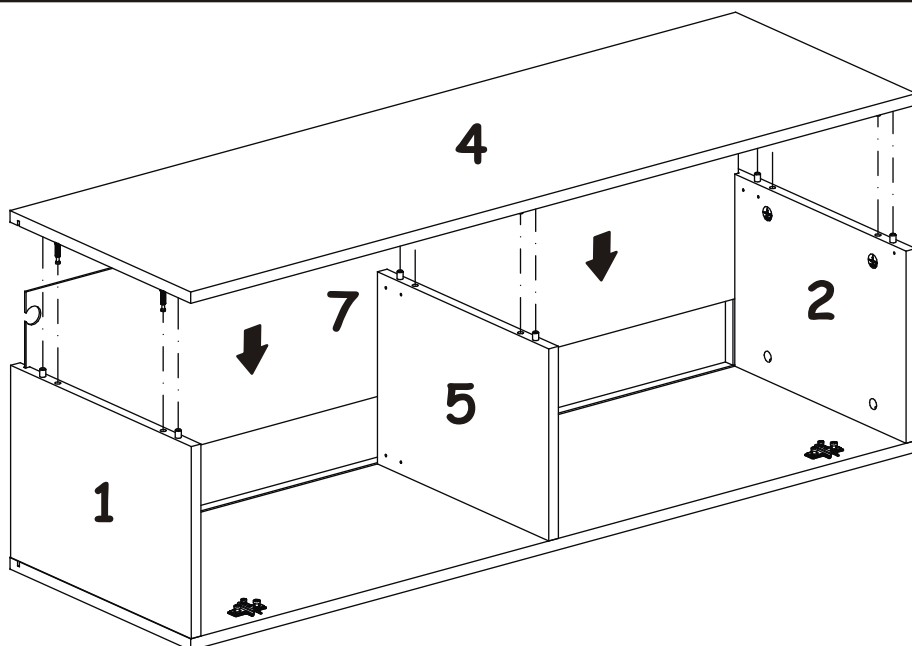


SWITCH RTV 2

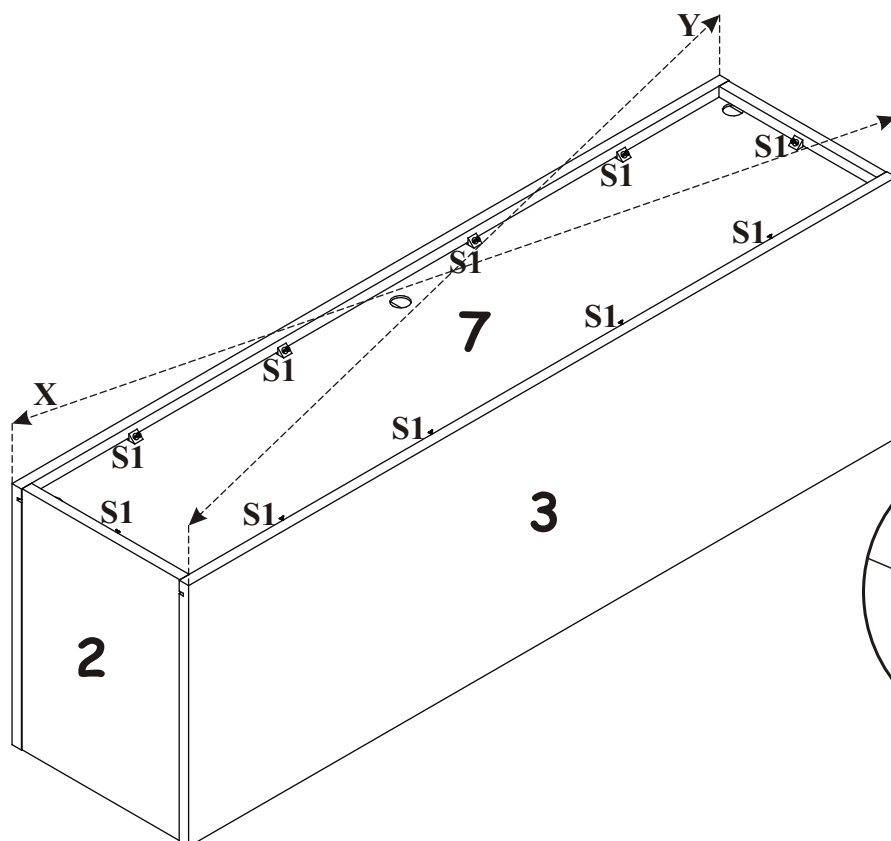
3



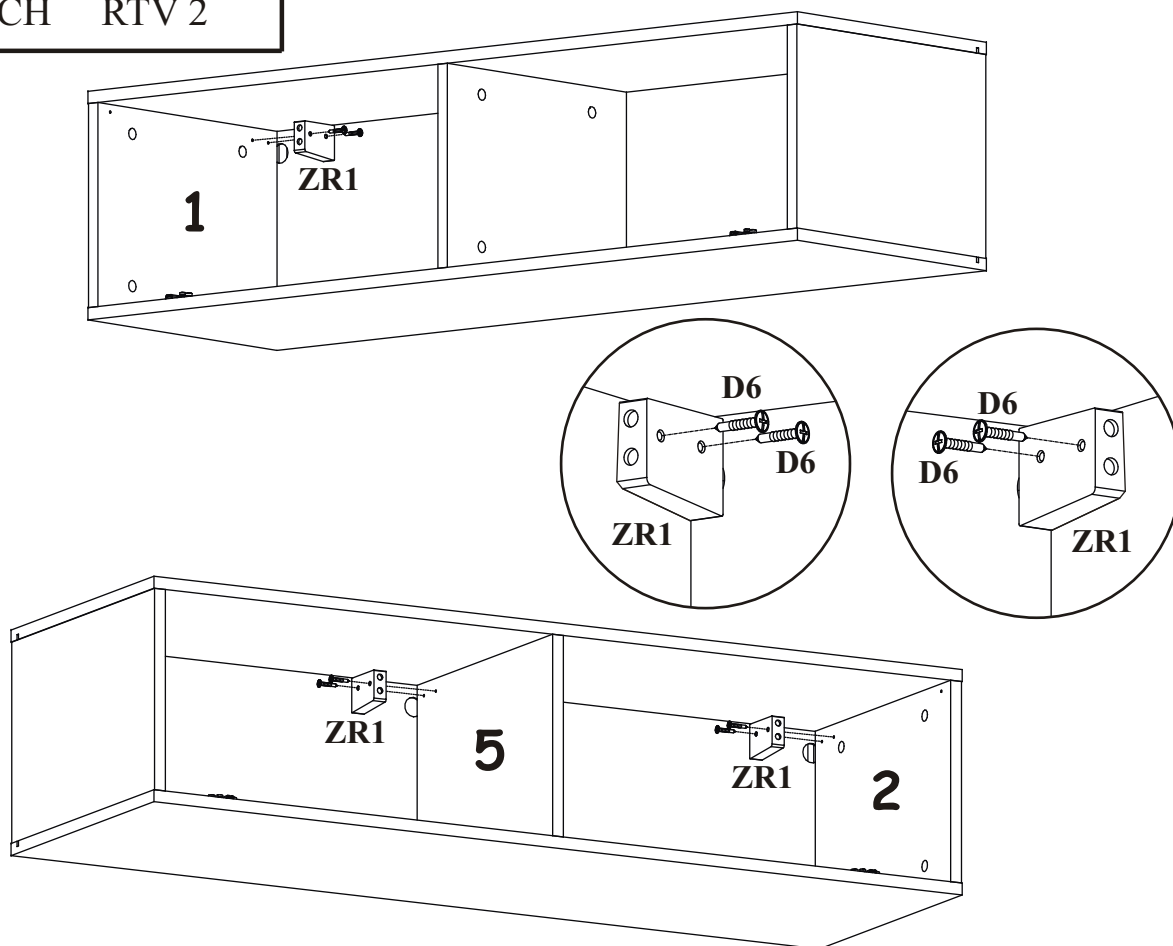
4



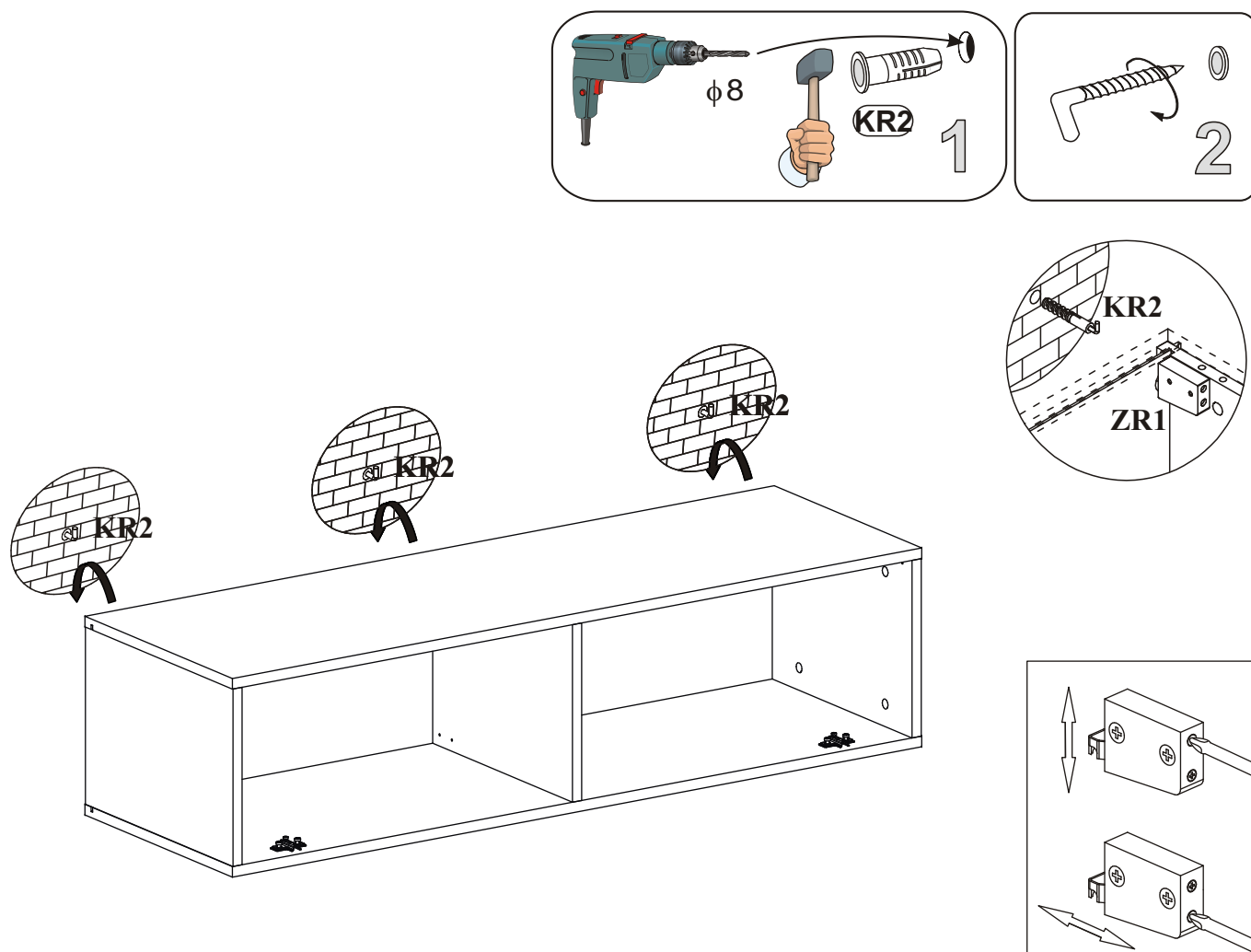
5



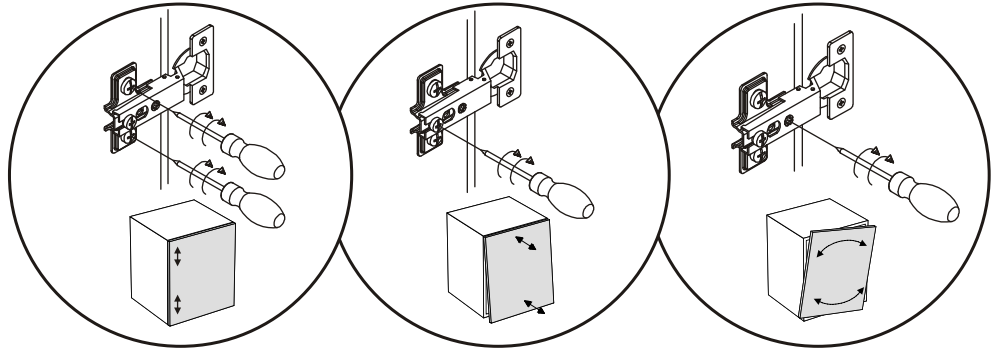
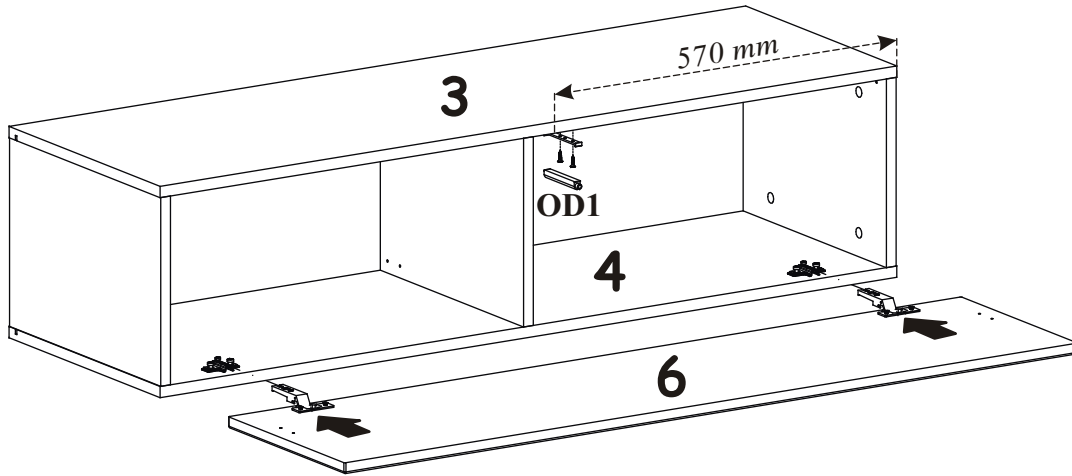
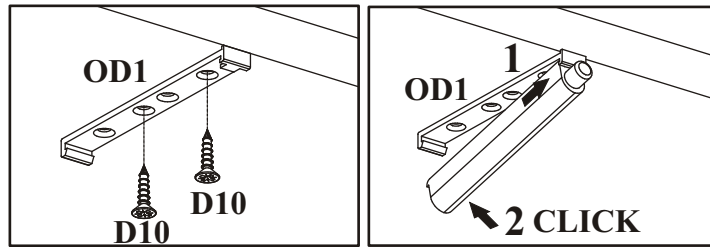
6



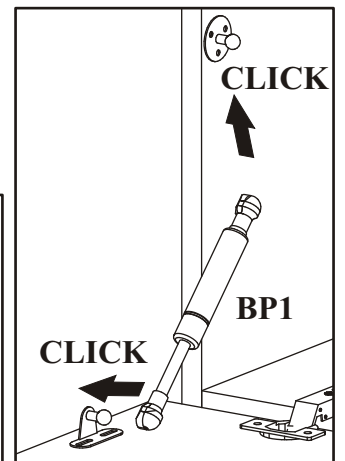
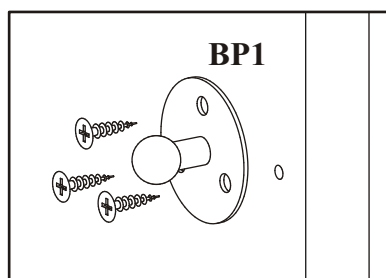
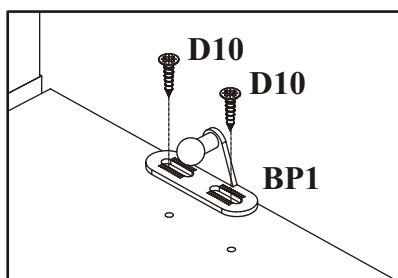
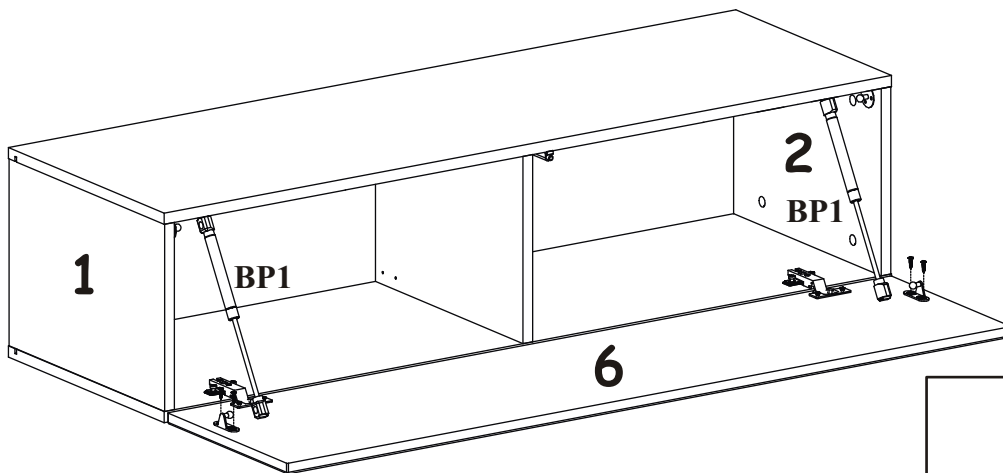
7




8

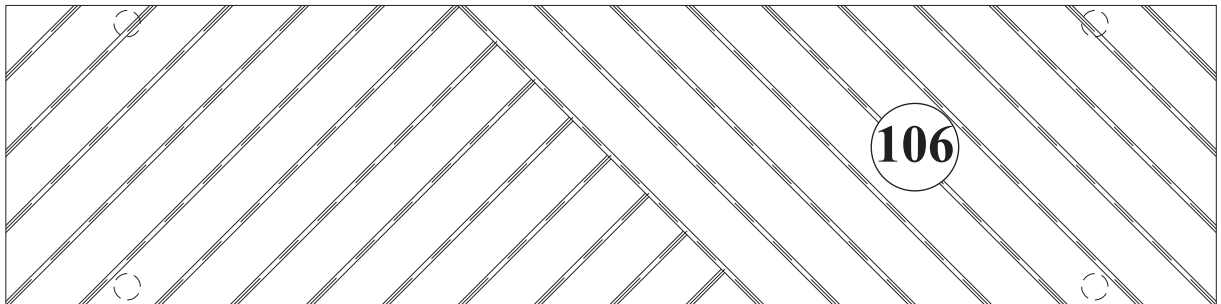
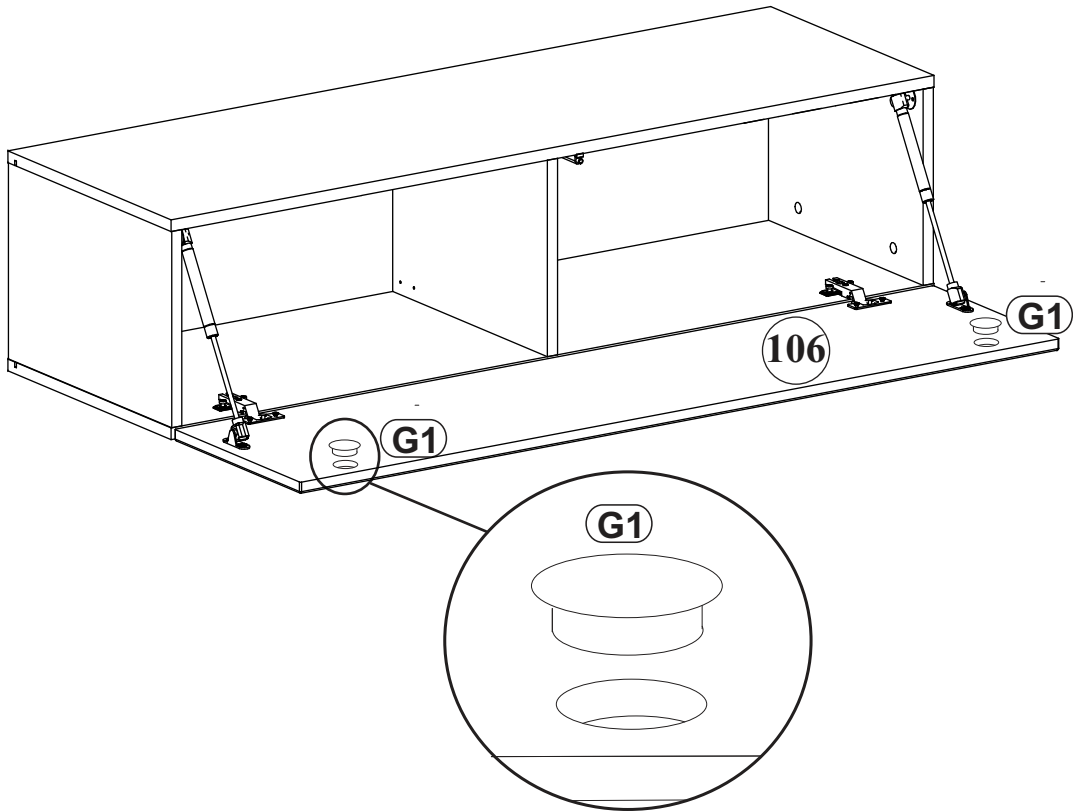


9

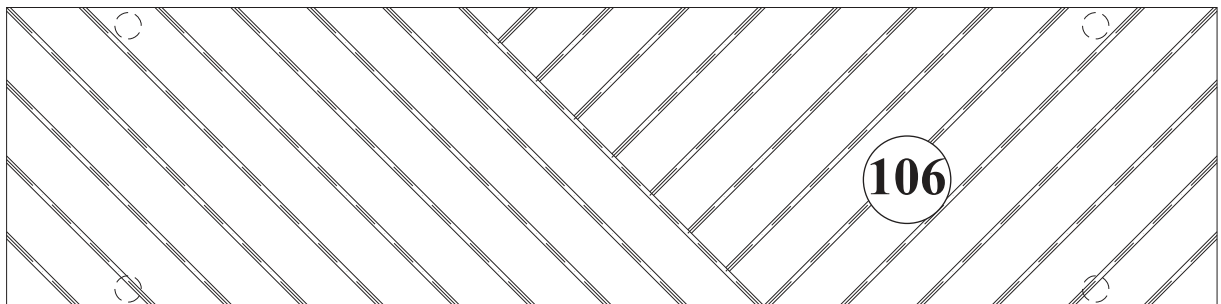


SWITCH WTL RTV2

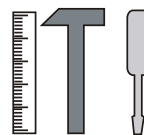
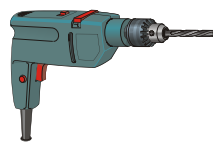
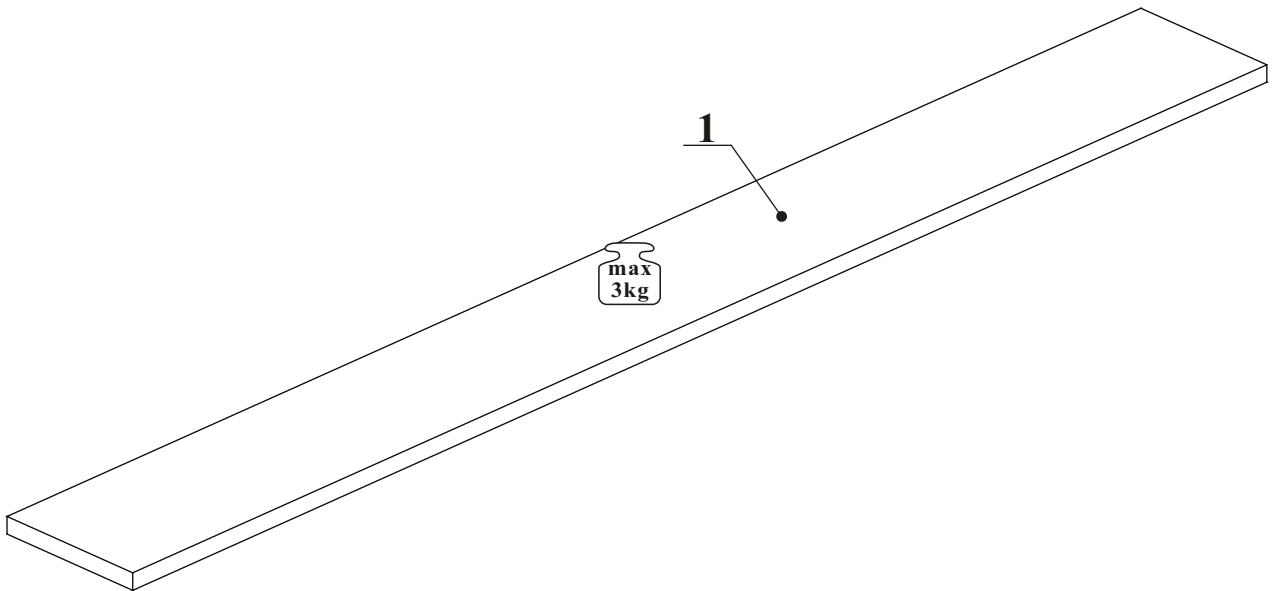
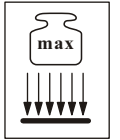
| | |
|----|---|
| G1 |  |
| x2 | Ø26 |




180°



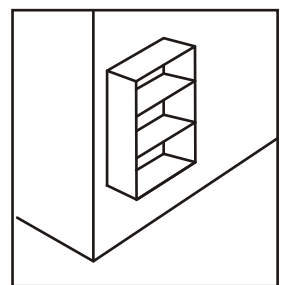
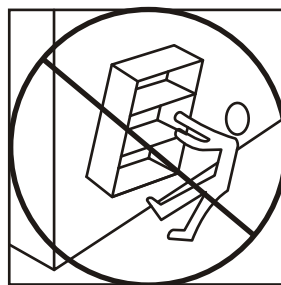
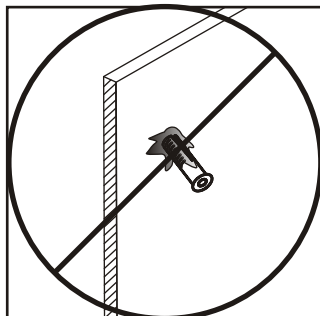
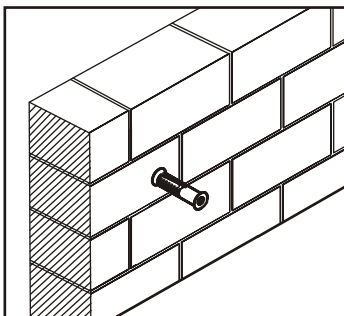
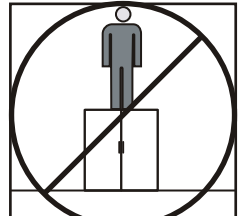
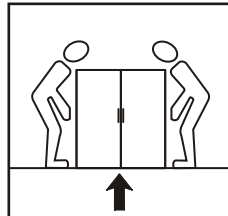
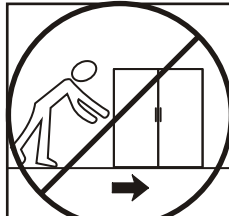
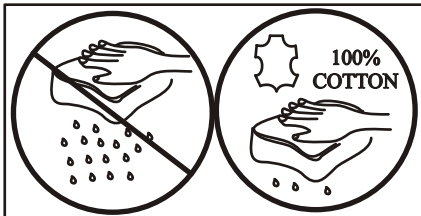
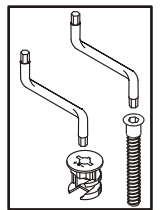
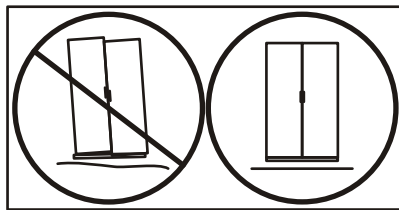
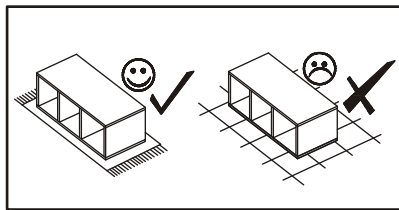
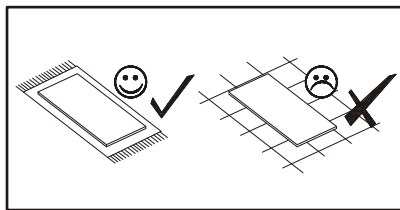
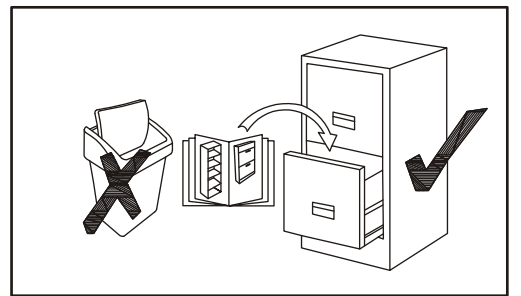
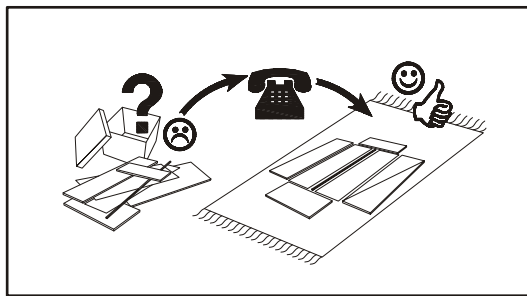
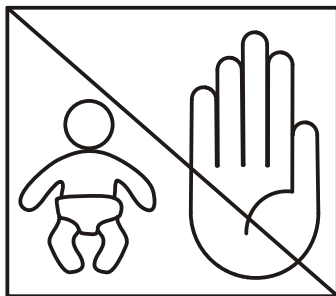
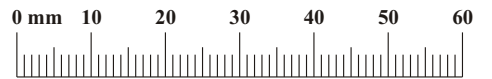
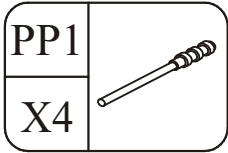
SWITCH PW 1



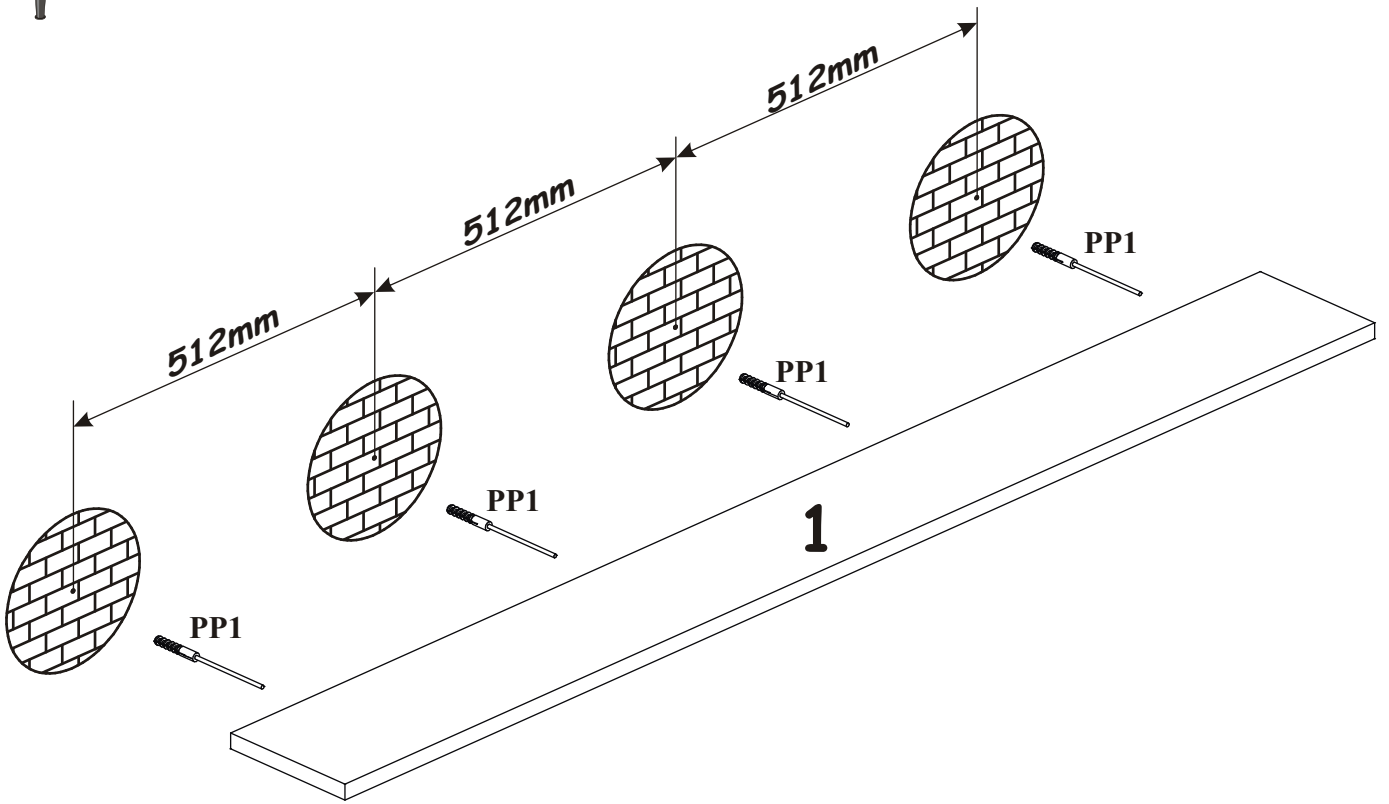
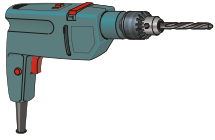
10 min

| NO | Dim. | Col.-No | Qty |
|----|----------|---------|-----|
| 1 | 1802 200 | 1 | 1 |

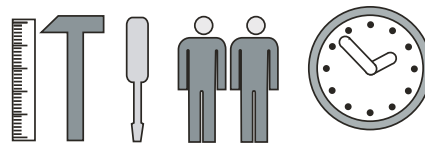
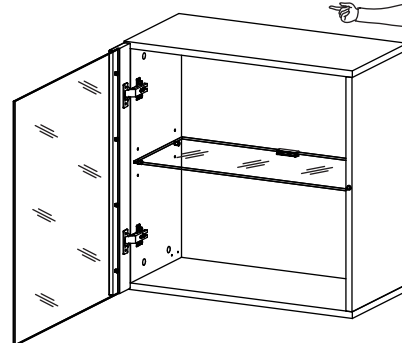
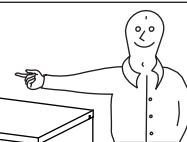
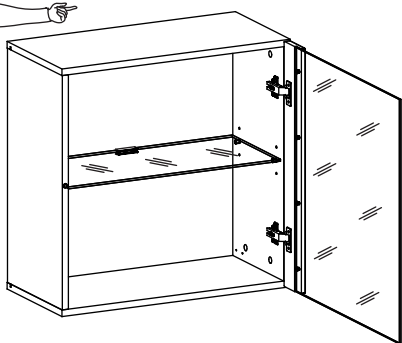
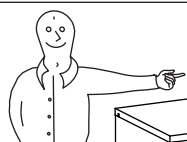
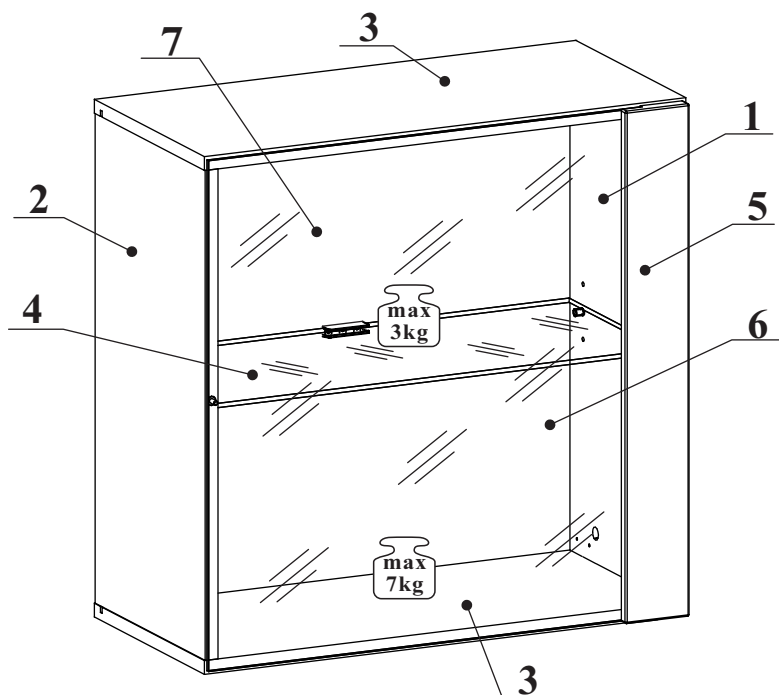
SWITCH PW 1



SWITCH PW 1



SWITCH WW 3

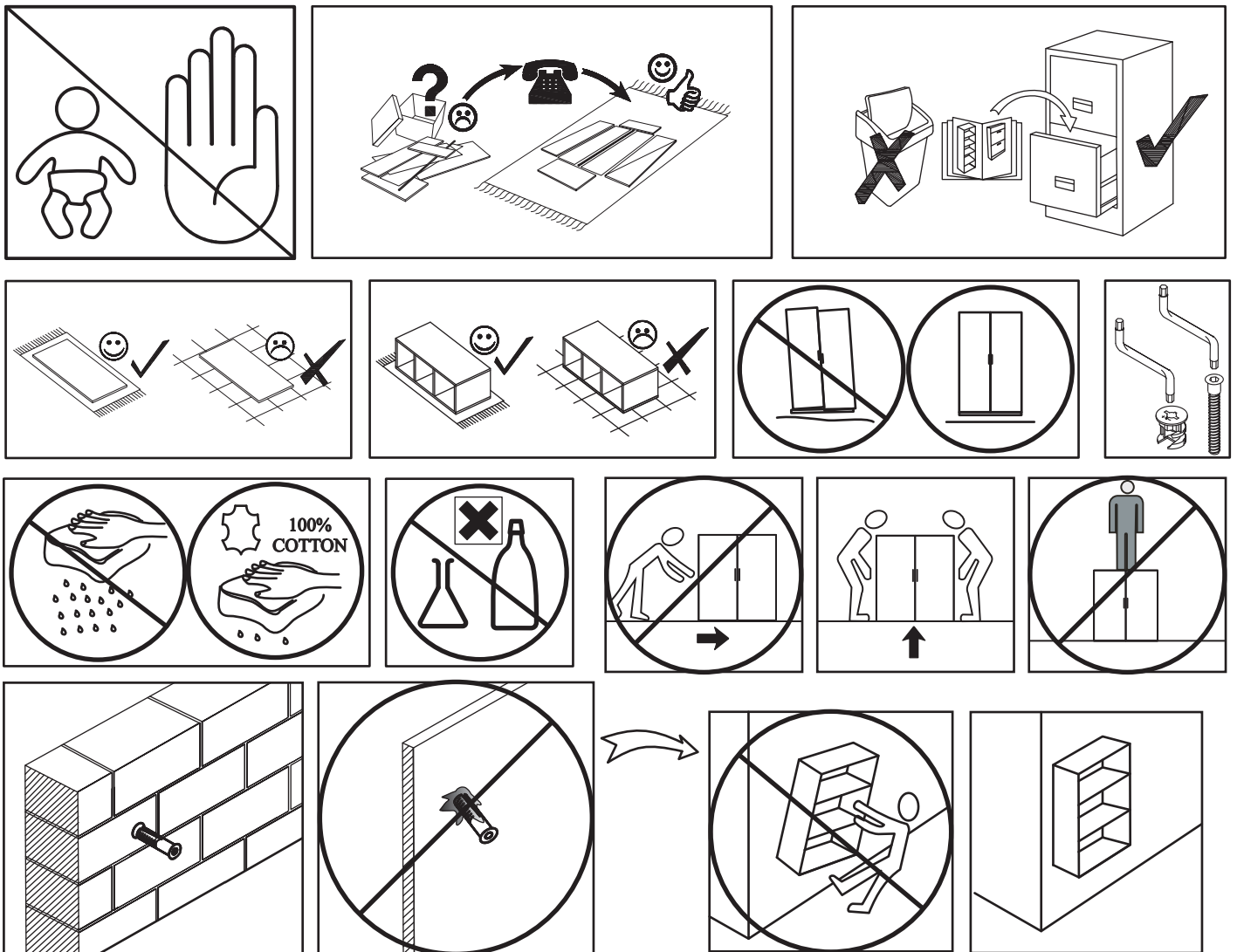
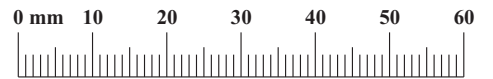


60 min

| NO | Dim. | | Col.-No | Qty |
|----|------|-----|---------|-----|
| 1 | 570 | 284 | 1 | 1 |
| 2 | 570 | 284 | 1 | 1 |
| 3 | 602 | 284 | 1 | 2 |
| 4 | 566 | 249 | 1 | 1 |
| 5 | 80 | 596 | 1 | 1 |
| 6 | 594 | 541 | 1 | 1 |
| 7 | 582 | 580 | 1 | 1 |

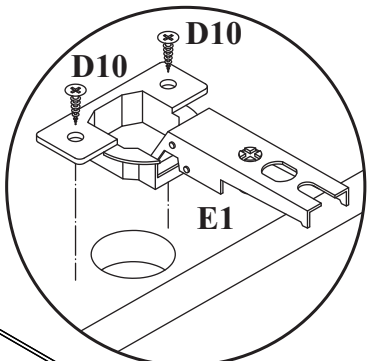
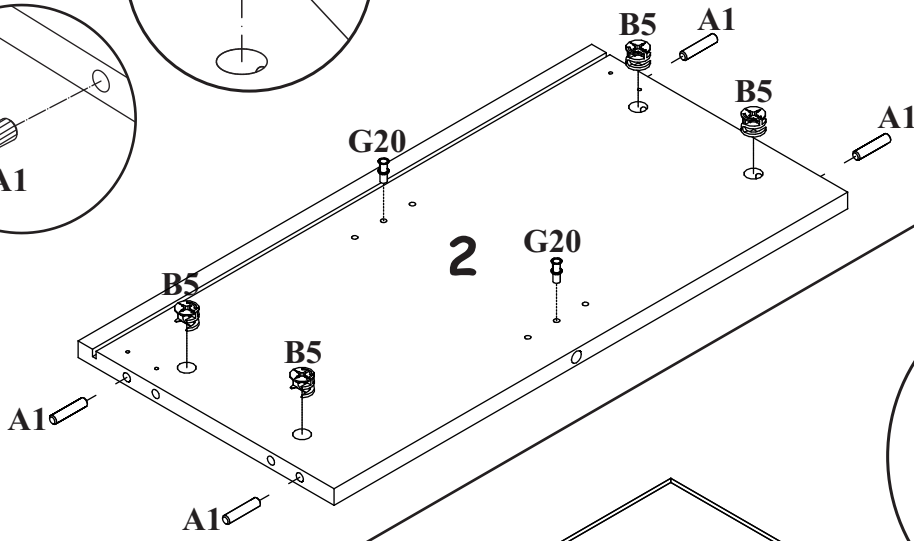
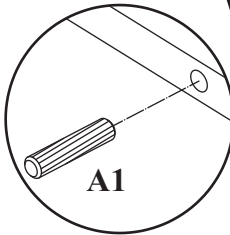
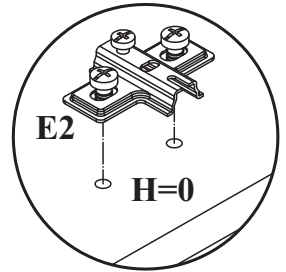
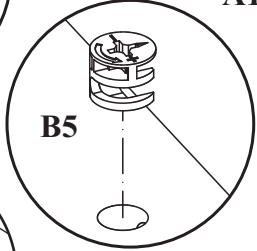
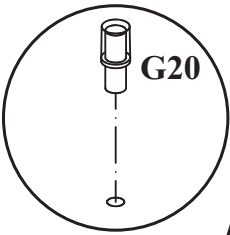
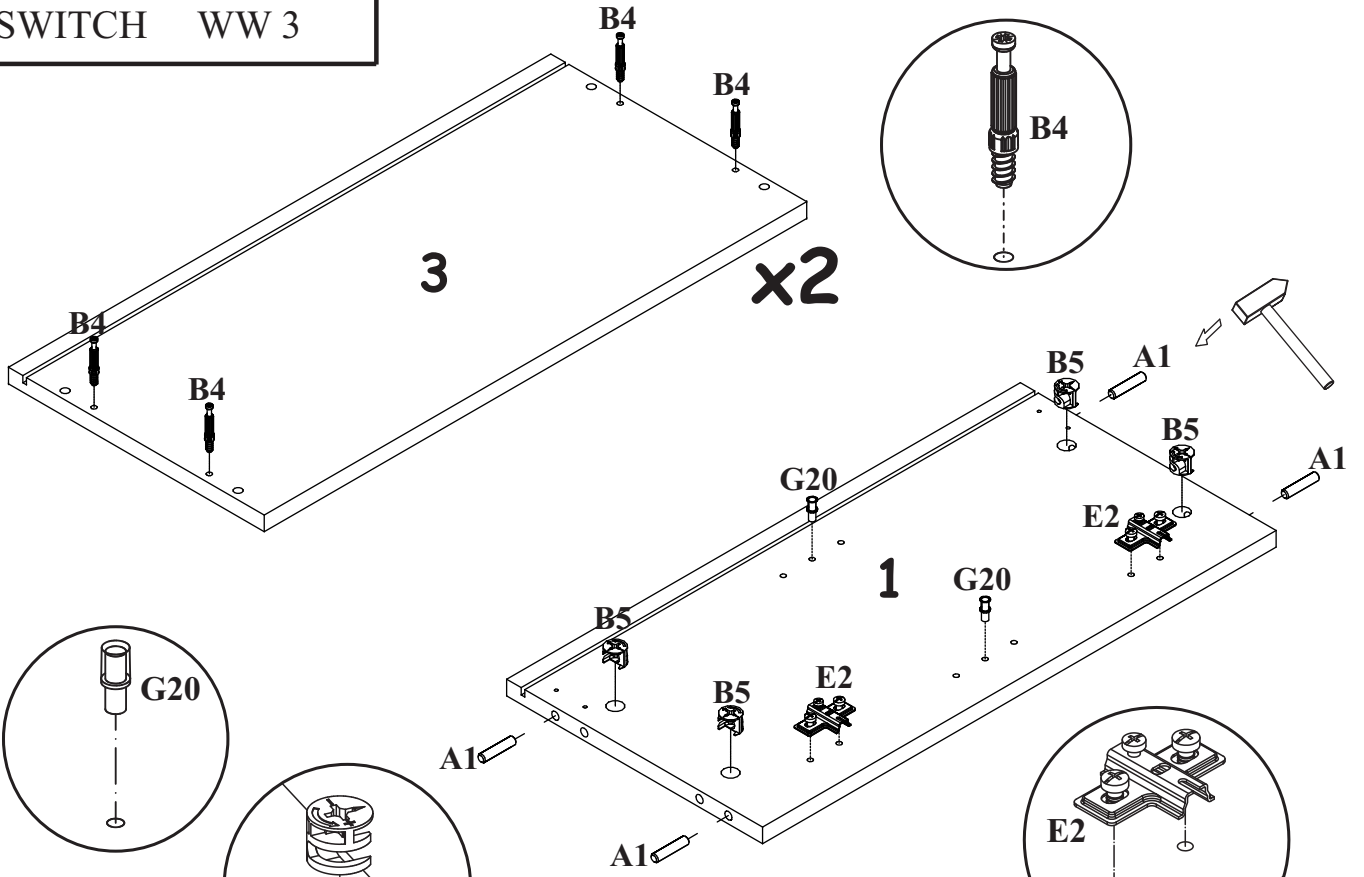
SWITCH WW 3

| | | | | | |
|------------------------|-----------------|------------------------|--------------------|-----------------|-----------------------|
| A1 X8 ø8x36 | B4 X8 | G5 X8 | B5 X8 ø15x12 | ZR1 X2 | D6 X4 USØ3,5x30 |
| E1 X2 Ø26 H=0 | E2 X2 H=0 | D10 X4 USØ3,5x13 | G20 X4 | P2 X4 | UP13 X4 UPØ3x16 |
| OD X1 L=71,5 | S1 X8 | KR2 X2 | G2 X1 | LED X1 X1 | |

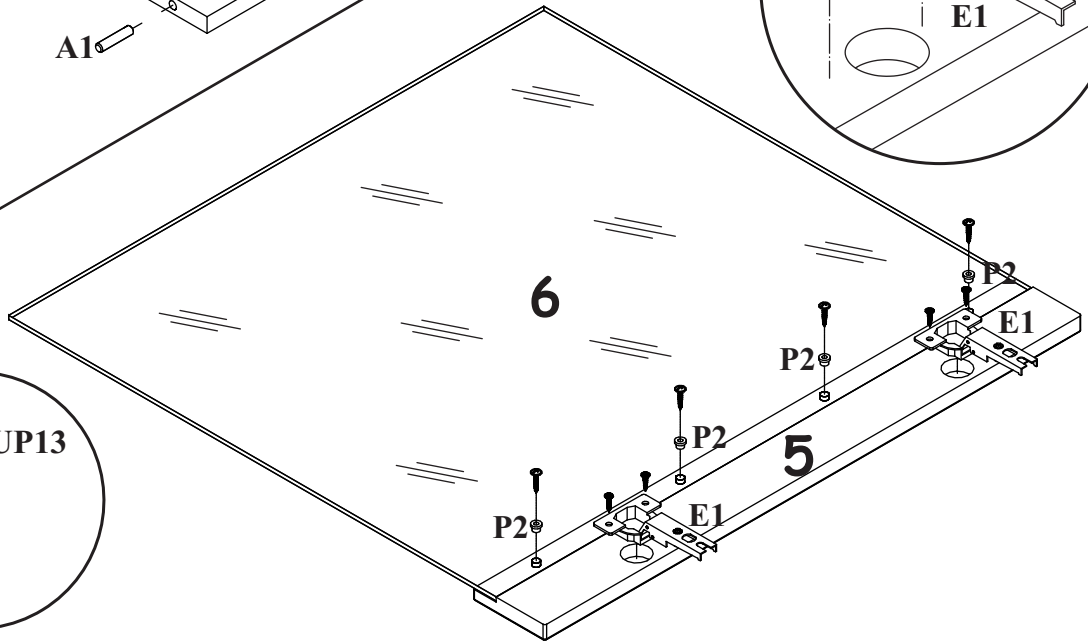
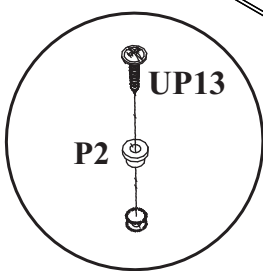


SWITCH WW 3

1

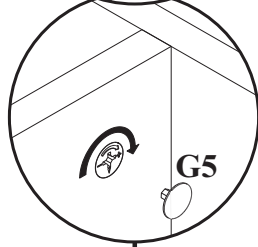
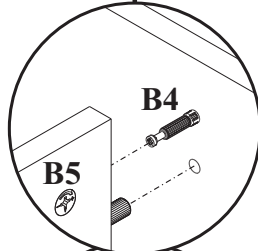
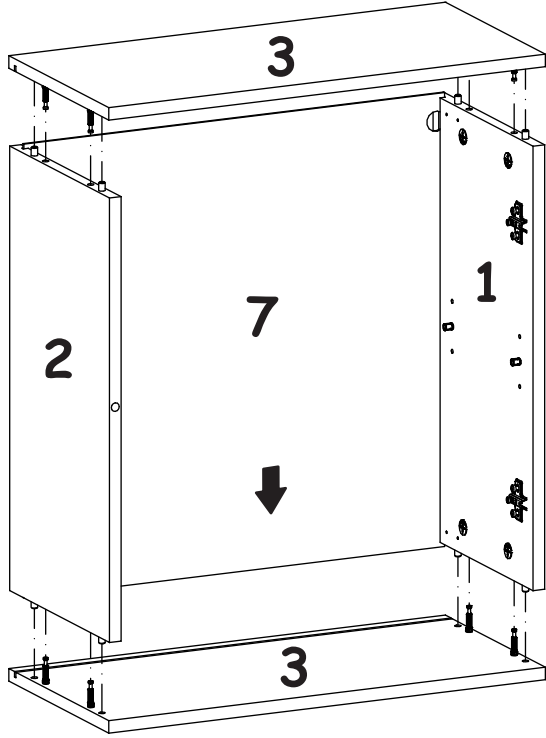
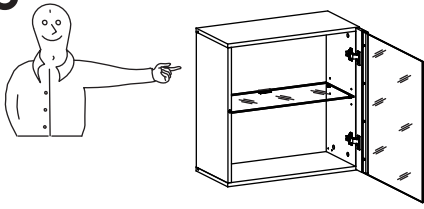


2

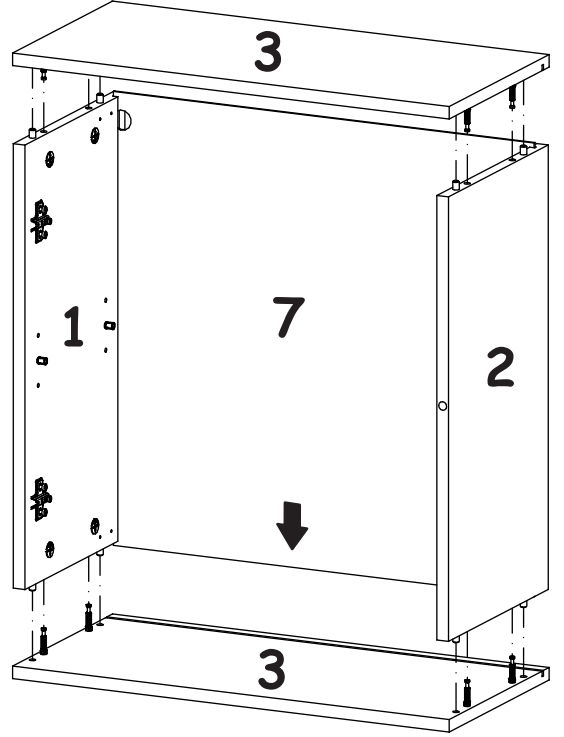
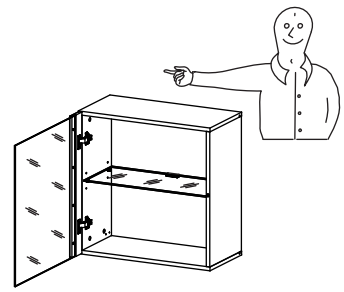


SWITCH WW 3

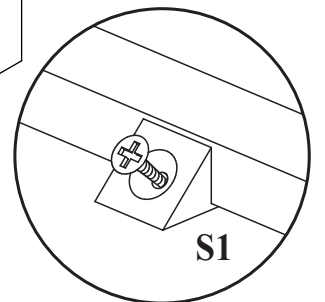
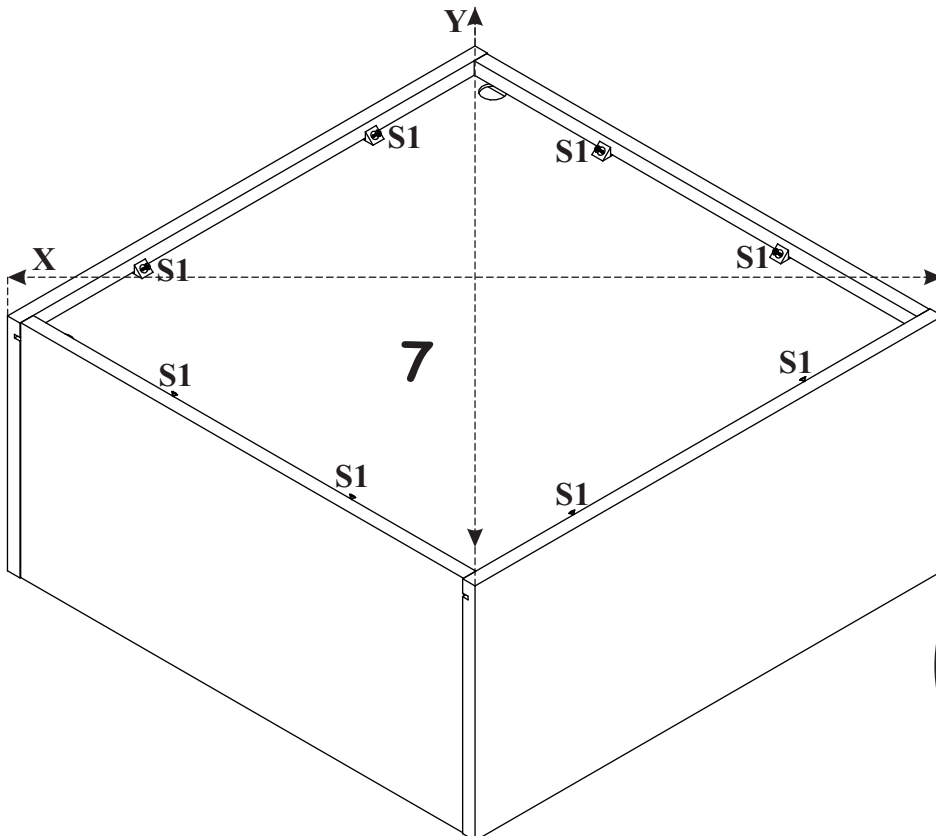
3



3

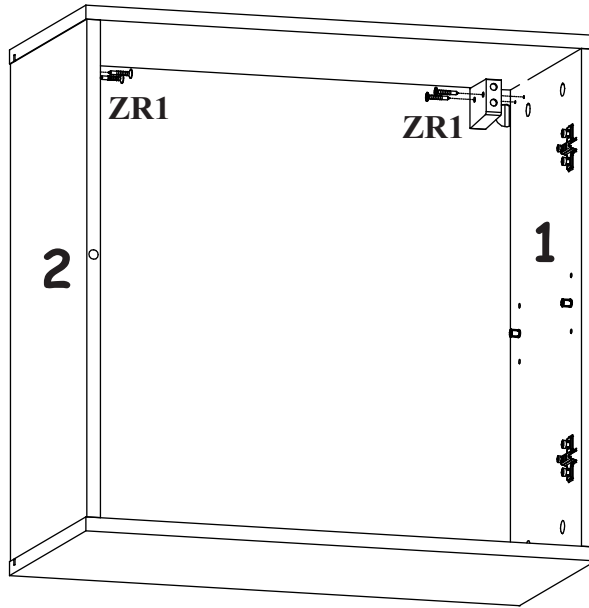
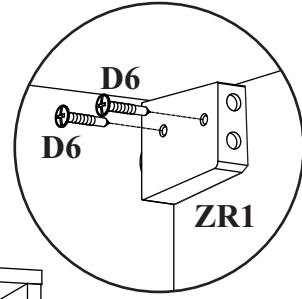
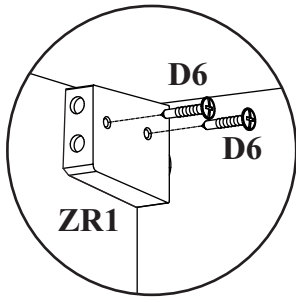


4

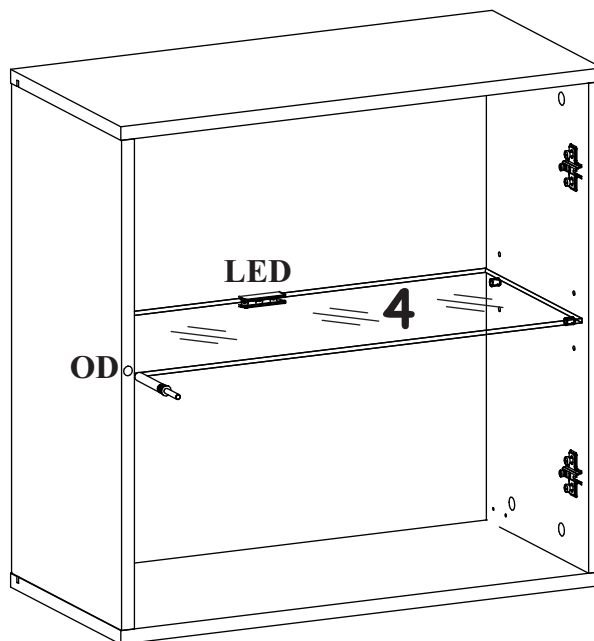
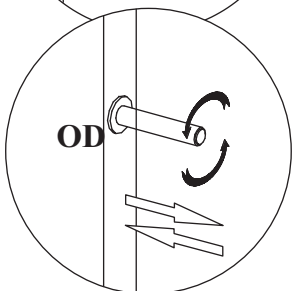
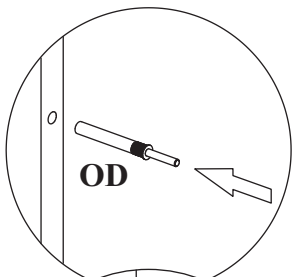
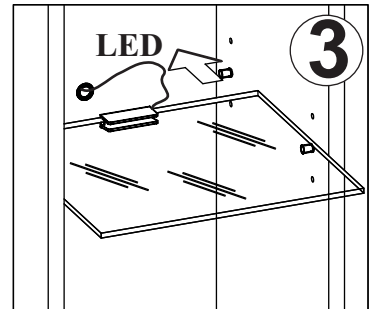
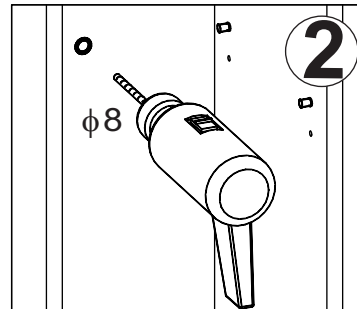
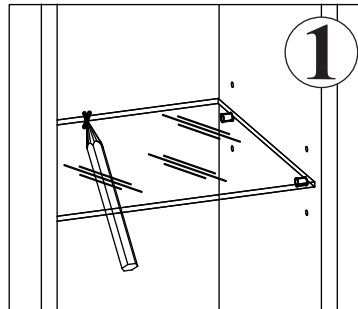


SWITCH WW 3

5

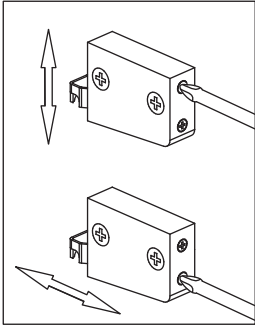
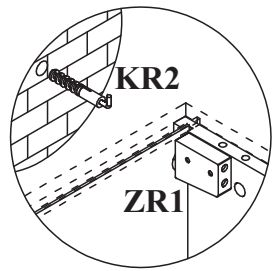
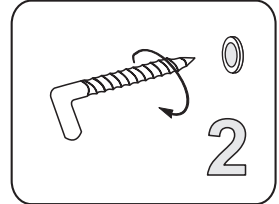
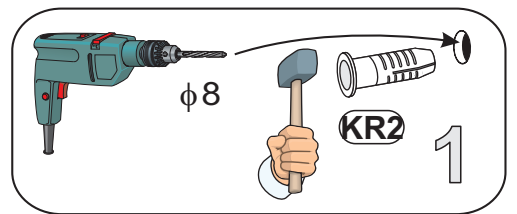
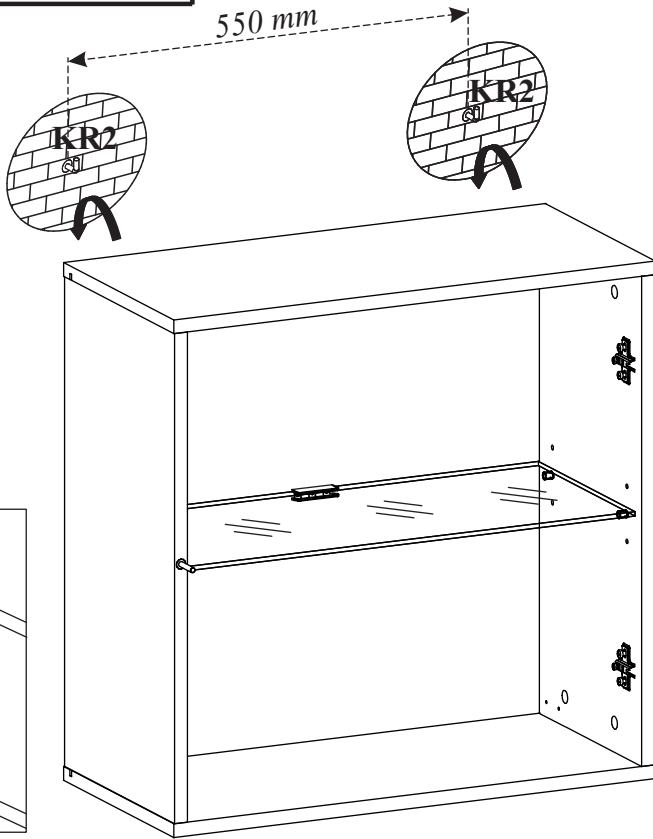


6

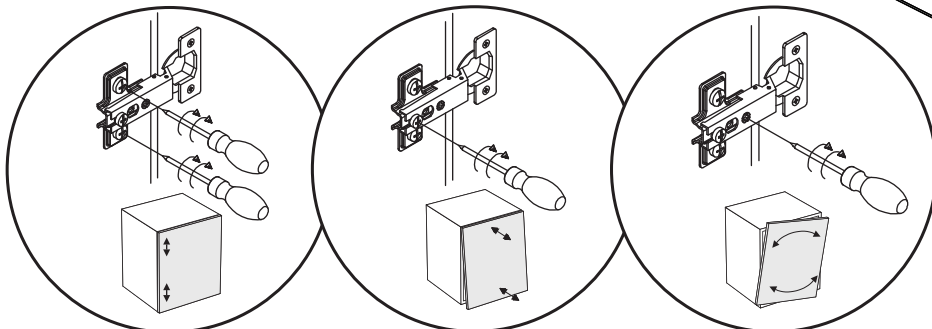
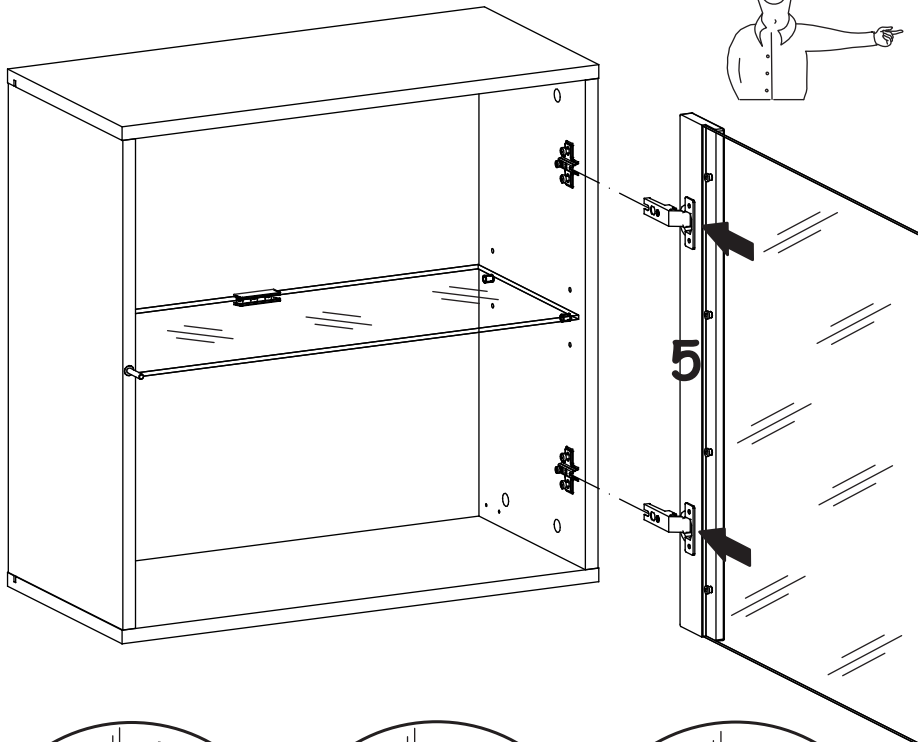


SWITCH WW 3

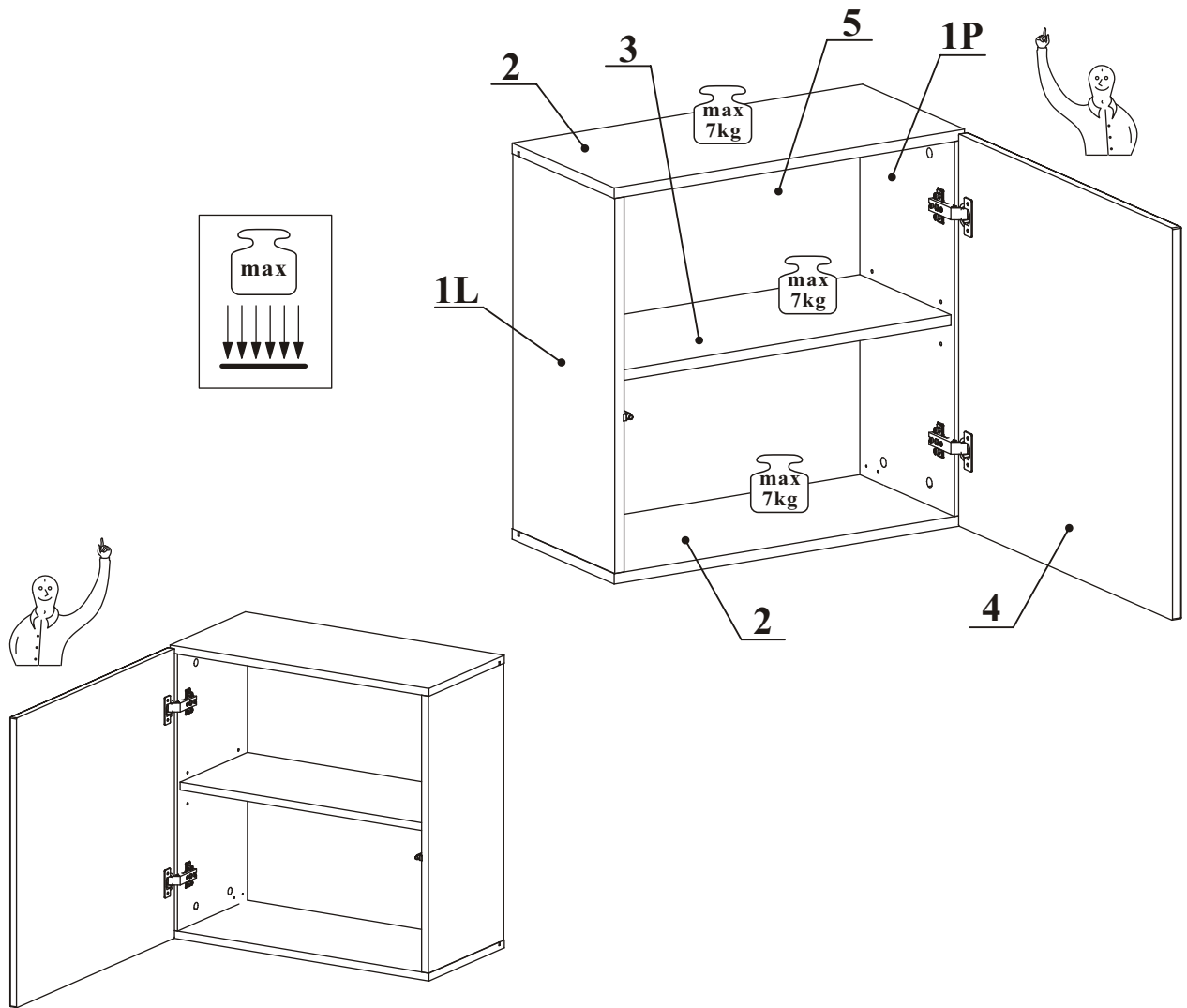
7



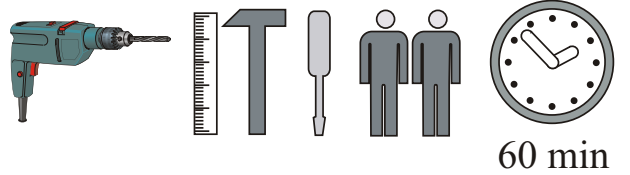
8



SWITCH SW3



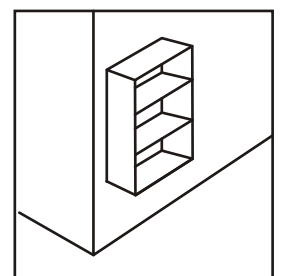
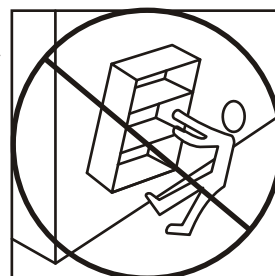
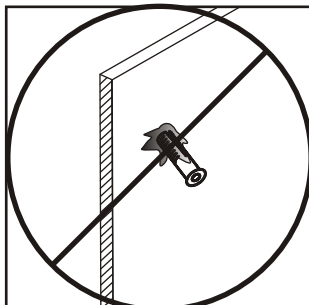
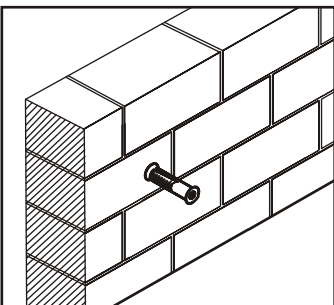
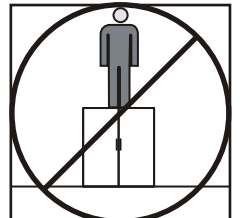
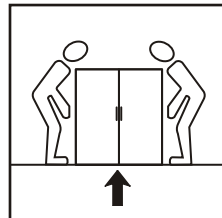
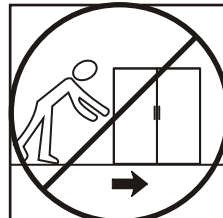
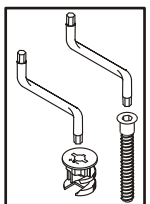
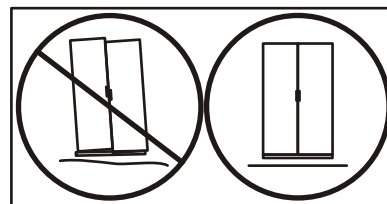
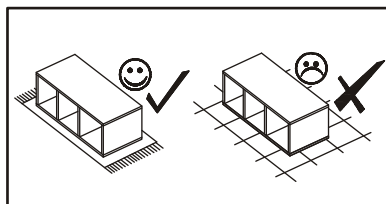
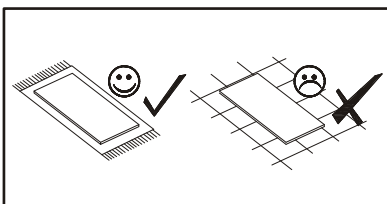
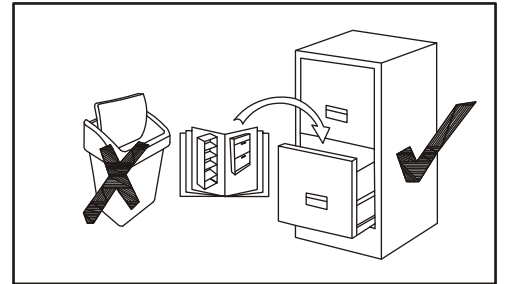
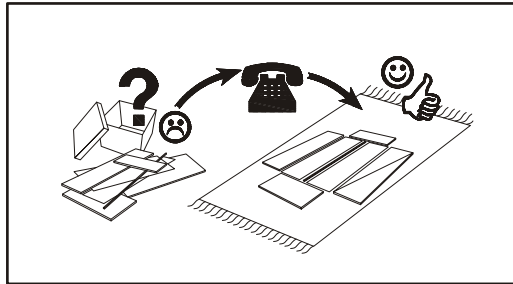
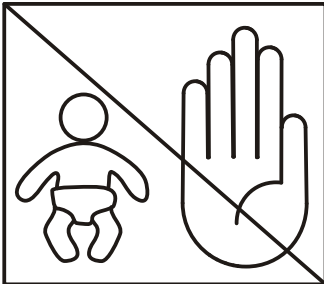
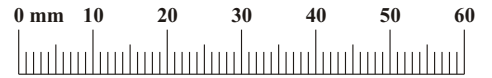
| NO | Dim. | | Col.-No | Qty |
|-------|------|-----|---------|-----|
| 1 L/P | 570 | 284 | 1 | 2 |
| 2 | 602 | 284 | 1 | 2 |
| 3 | 568 | 254 | 1 | 1 |
| 5 | 582 | 580 | 1 | 1 |
| 4 | 596 | 596 | 1 | 1 |



60 min

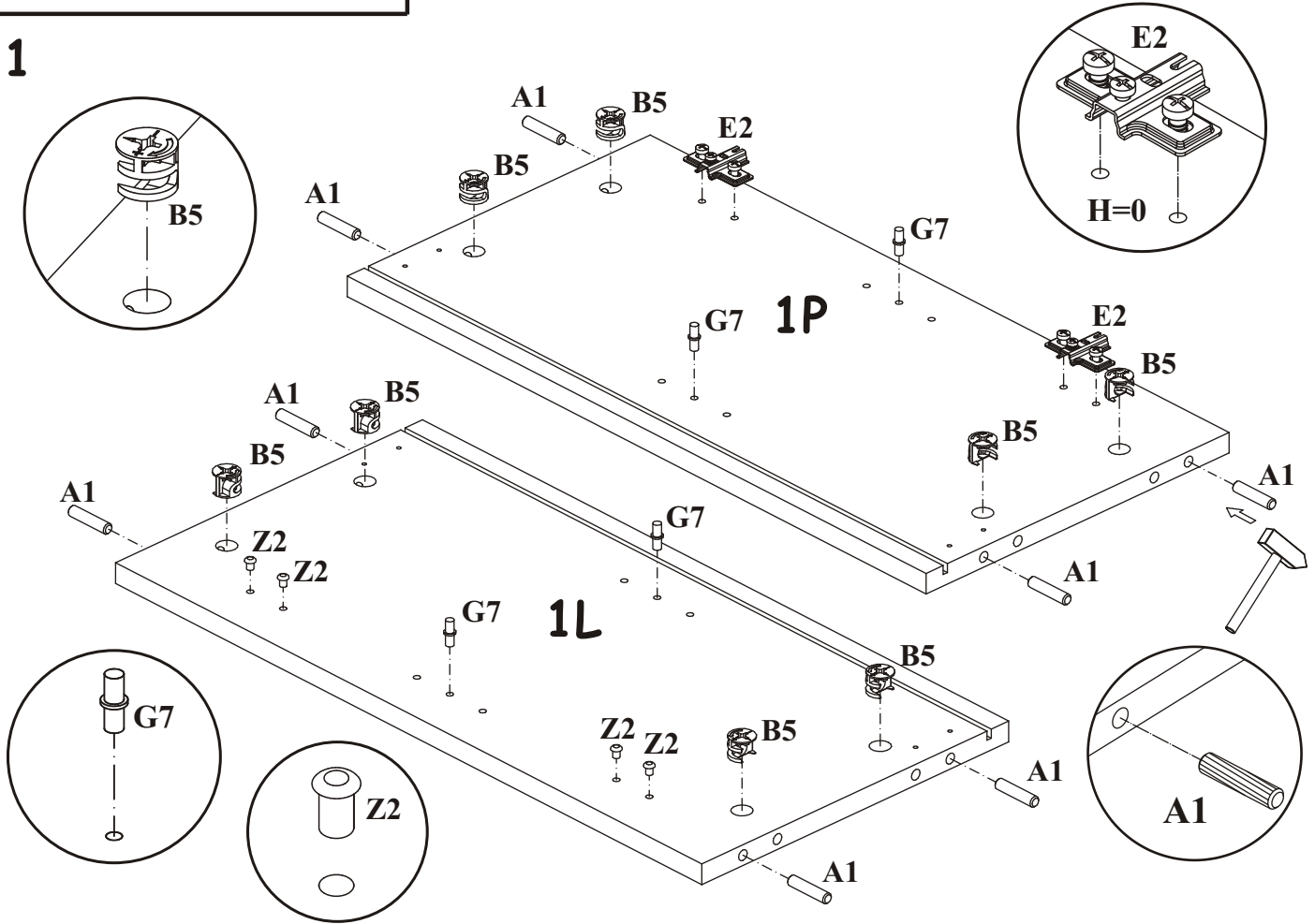
SWITCH - SW3

| | | | | | |
|-----------------------|------------------------|-----------|------------------------|-----------------|-----------|
| A1 X8 ø8x36 | B4 X8 | G5 X8 | B5 X8 ø15x12 | G7 X4 | S1 X8 |
| Z2 X4 ø5 | D10 X6 USØ3,5x13 | G2 X1 | E1 X2 Ø26 H=0 | E2 X2 H=0 | ZR1 X2 |
| D6 X4 USØ3,5x30 | OD1 X1 | KR2 X2 | | | |

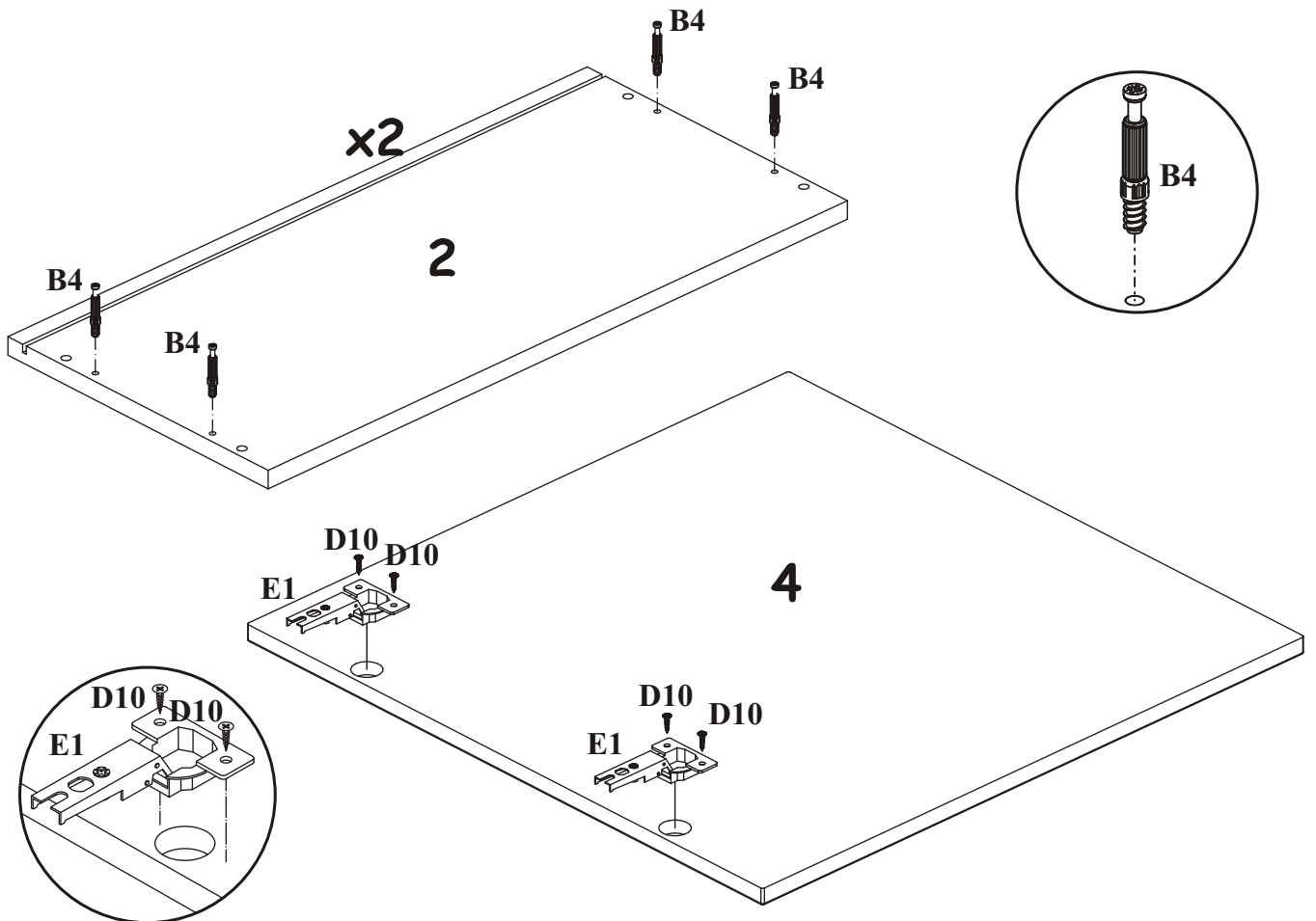


SWITCH - SW3

1

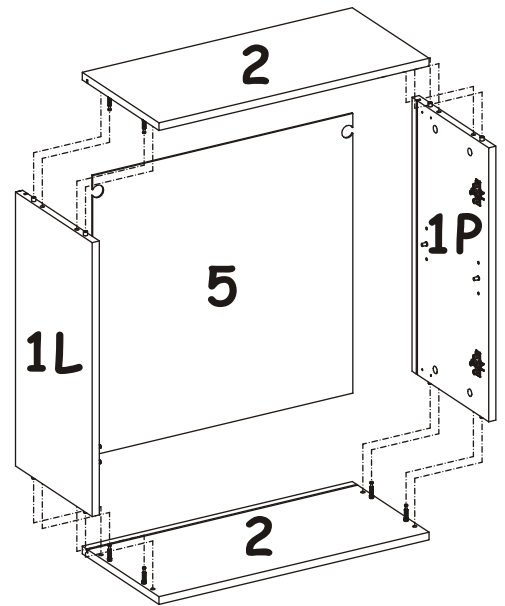
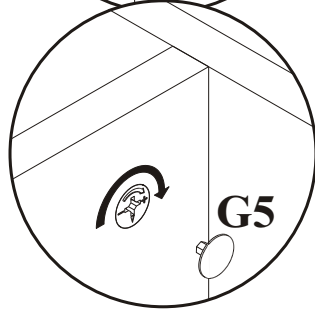
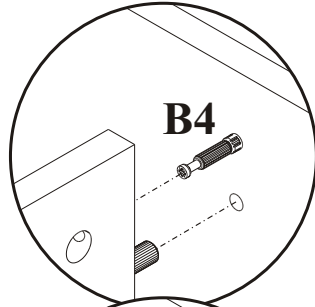
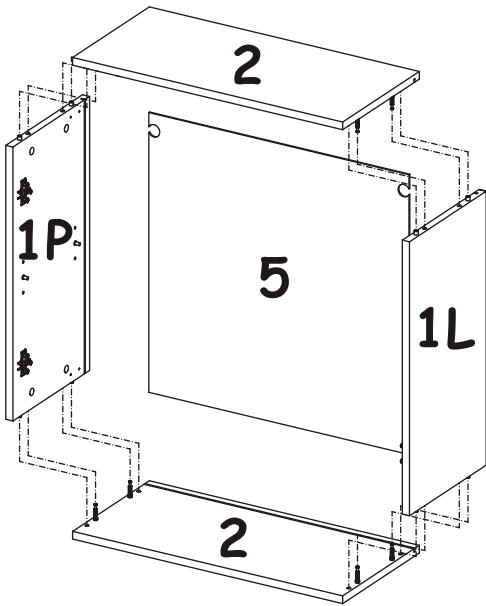
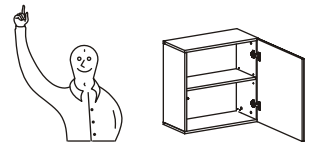
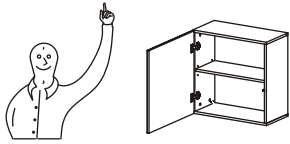


2

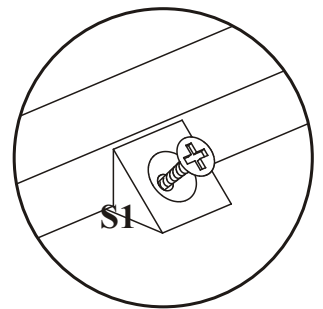
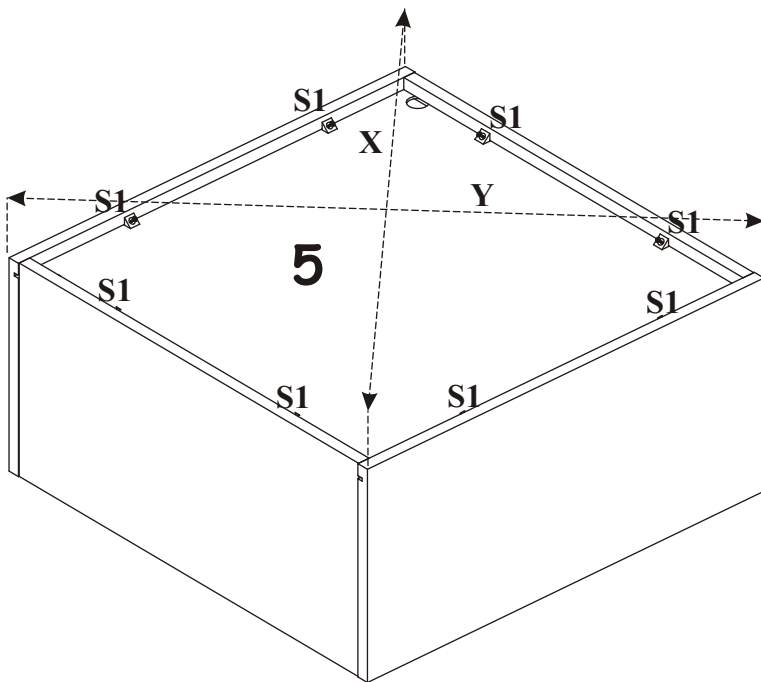


SWITCH - SW3

3



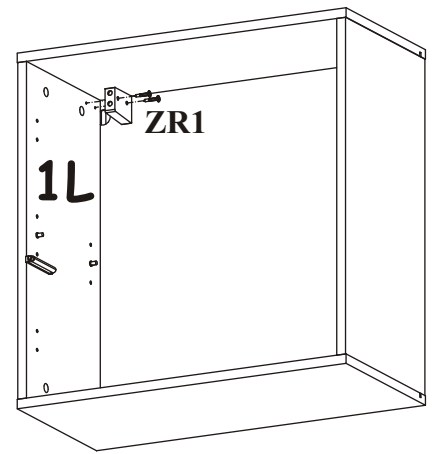
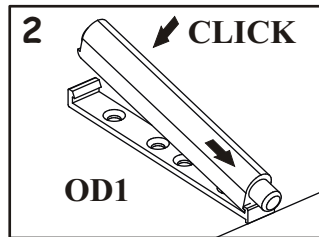
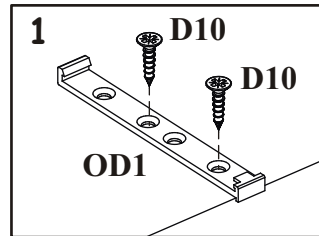
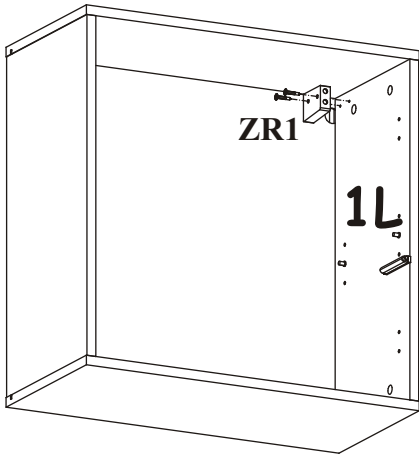
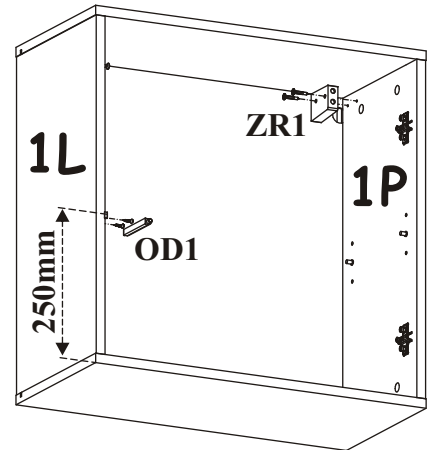
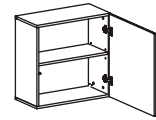
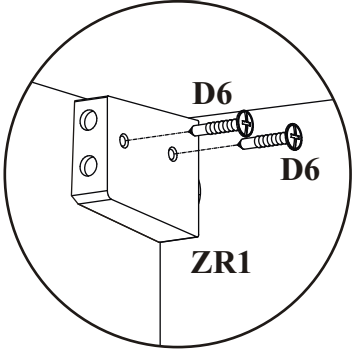
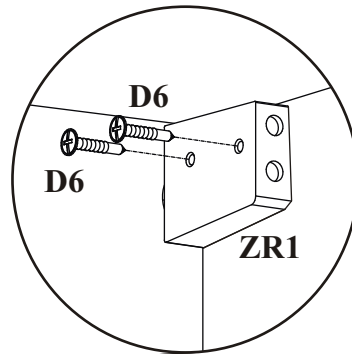
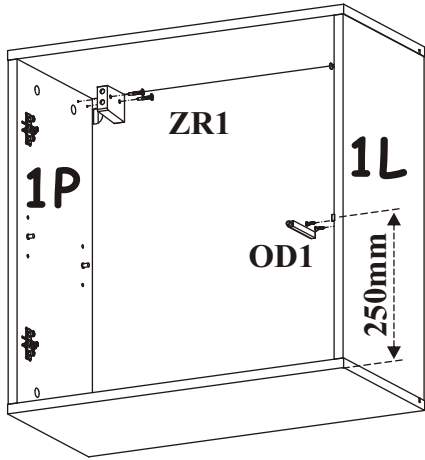
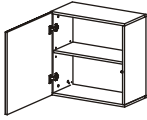
4



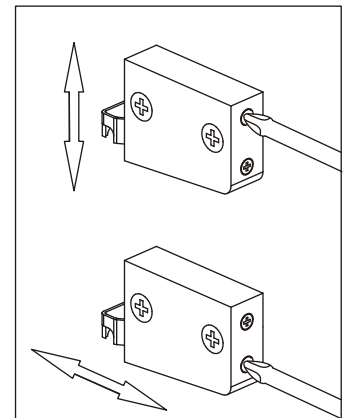
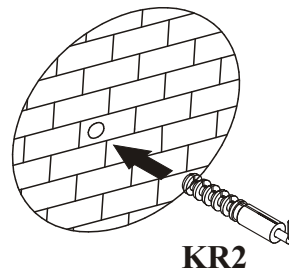
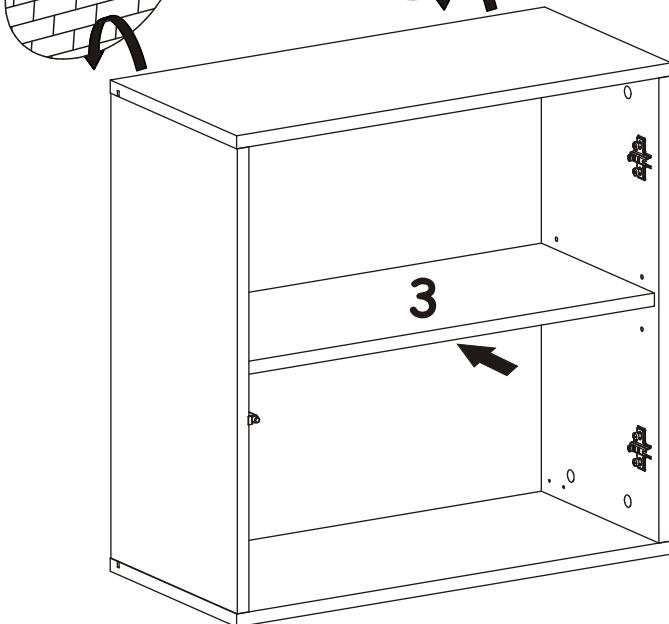
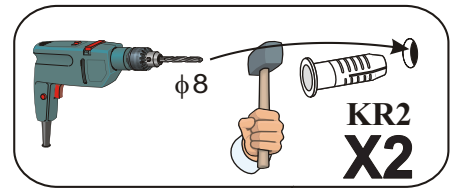
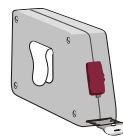
$X=Y$ \uparrow 90°

SWITCH - SW3

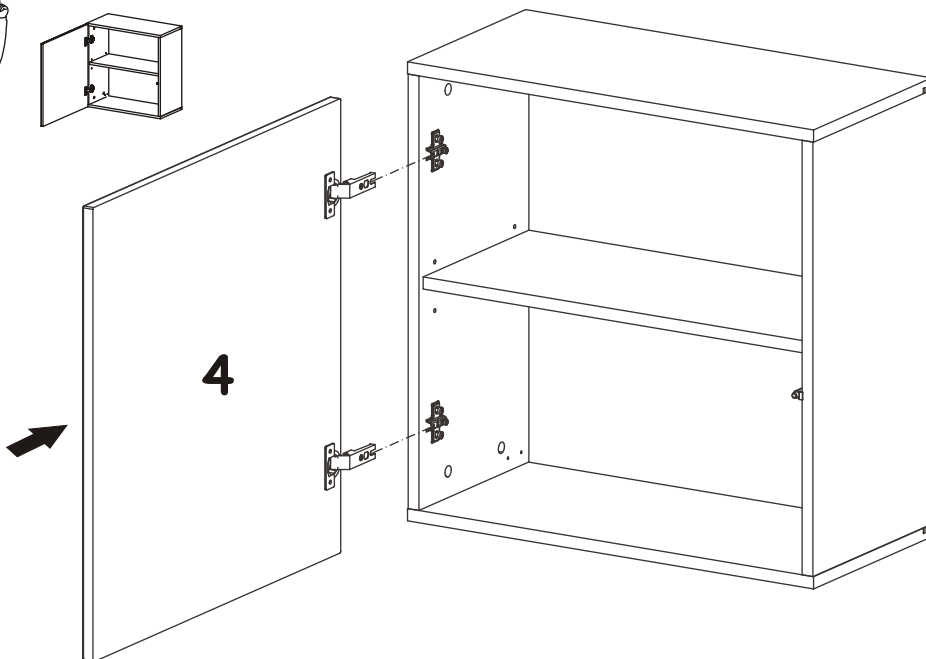
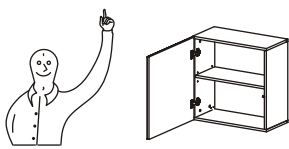
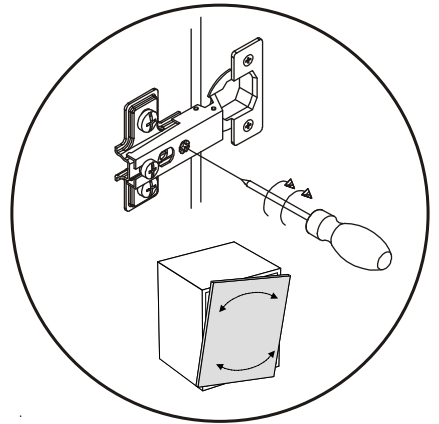
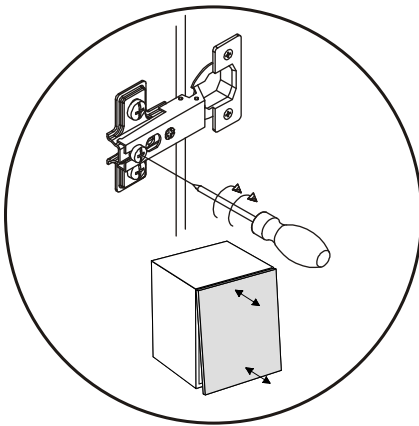
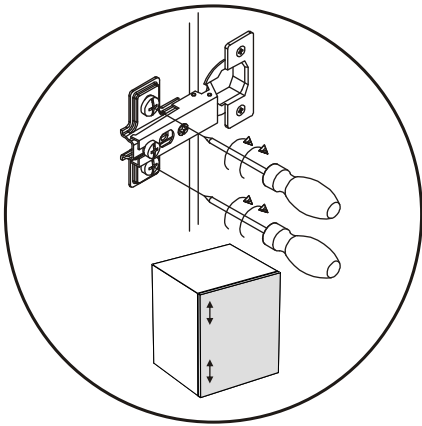
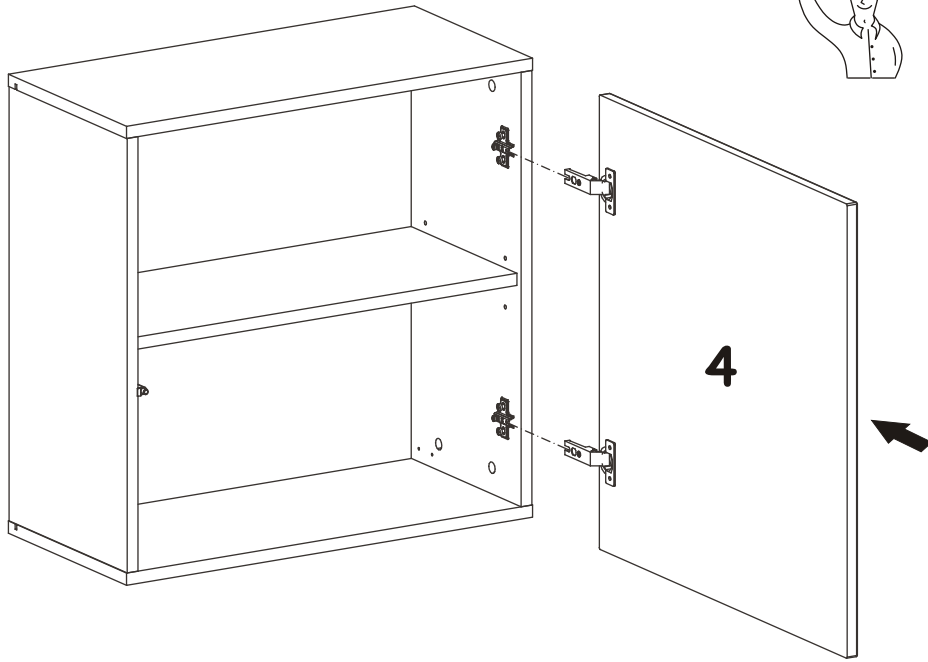
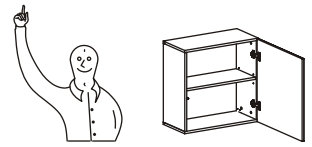
5




6

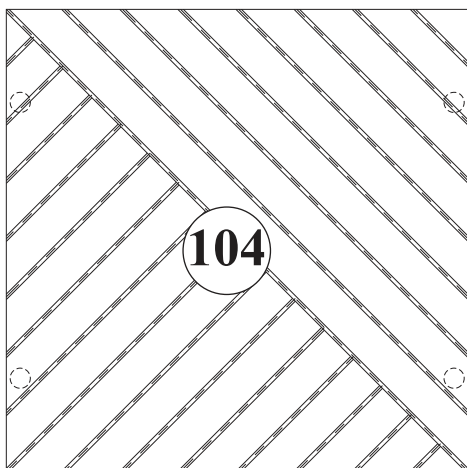
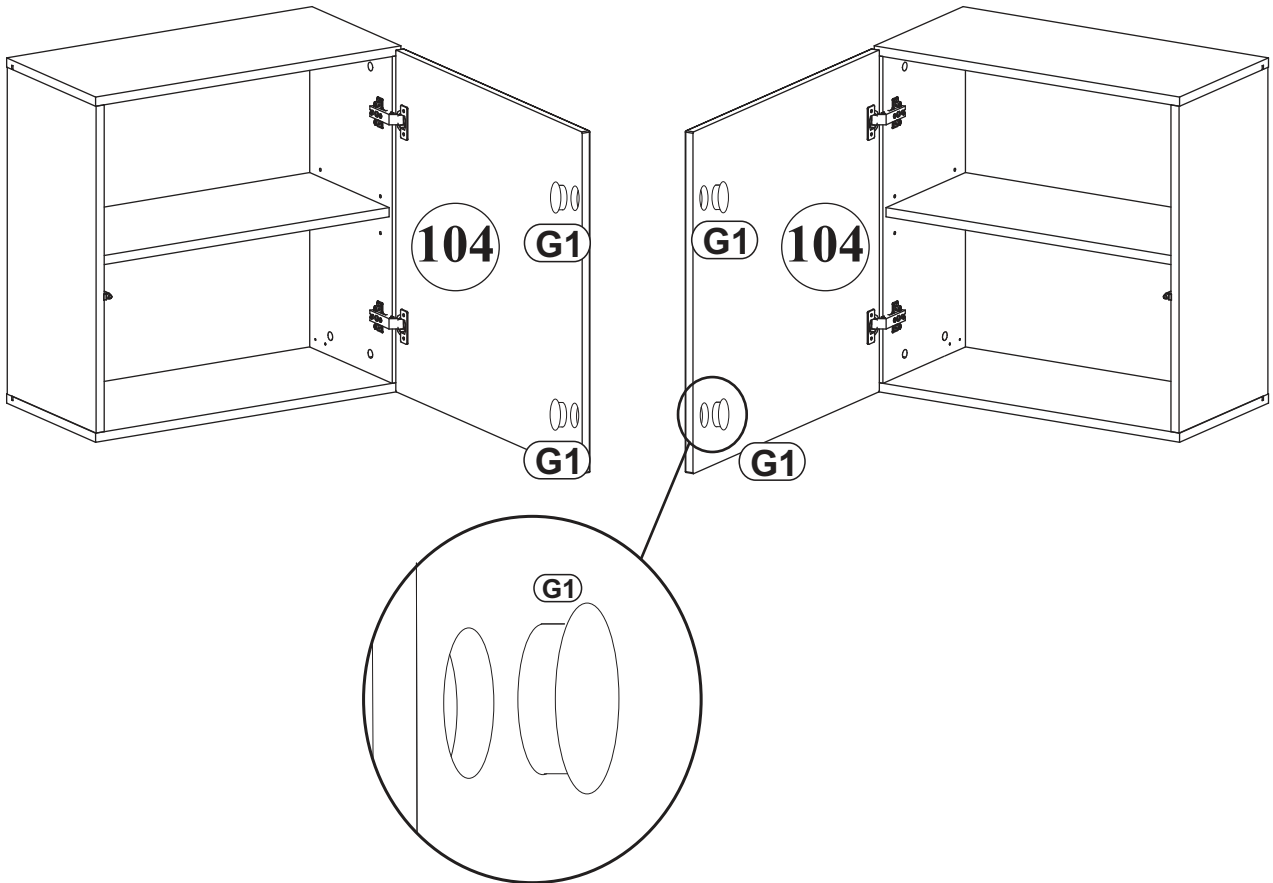


7



SWITCH WTL SW3

| | |
|----|--|
| G1 |  Ø26 |
| x2 | |




180°

