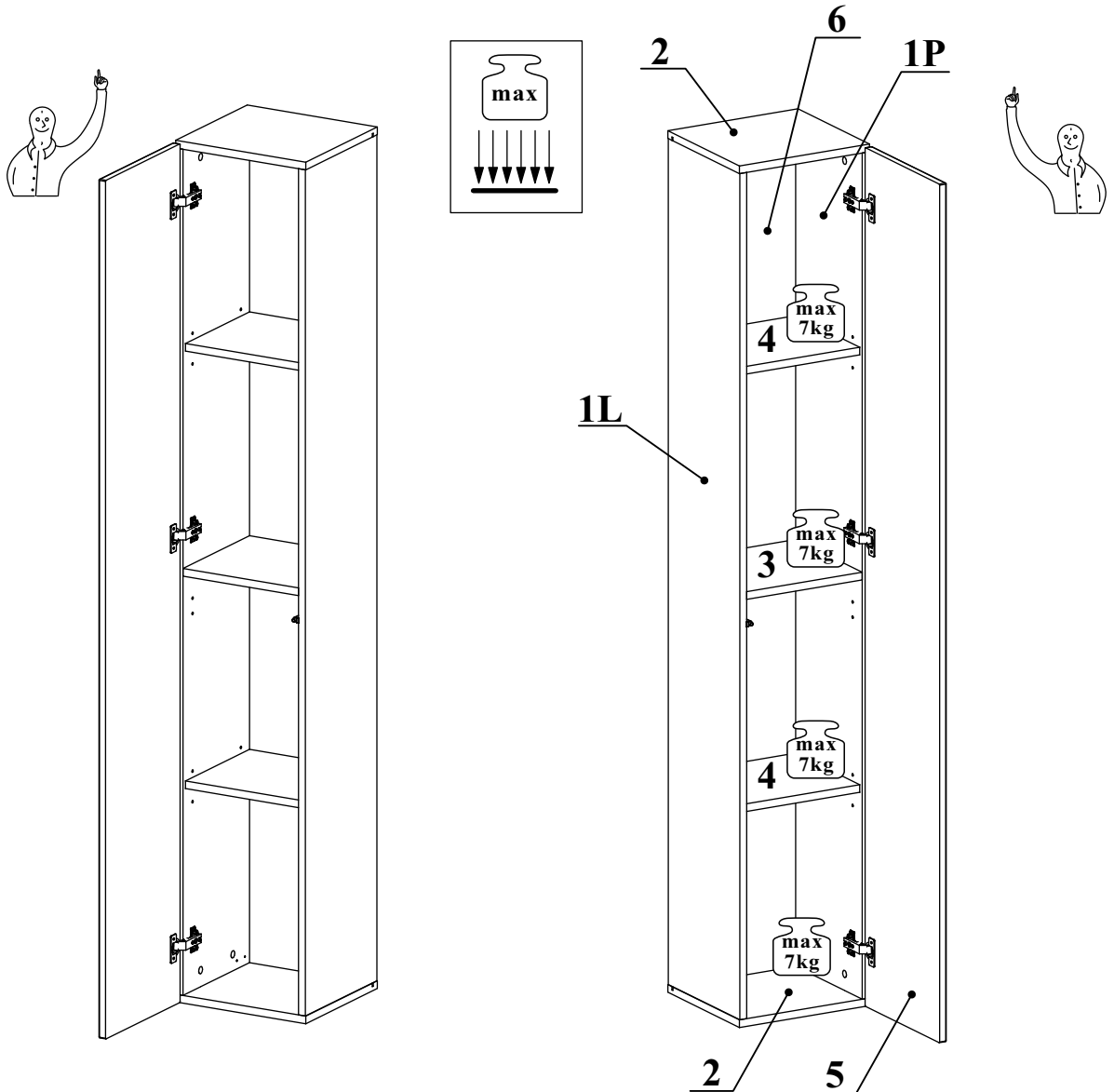
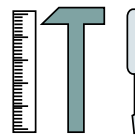


SWITCH SW1



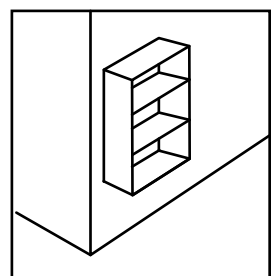
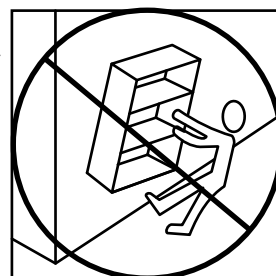
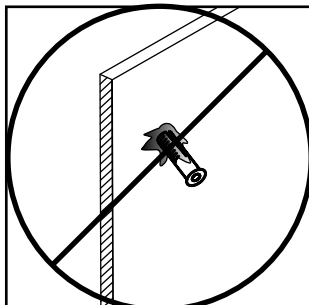
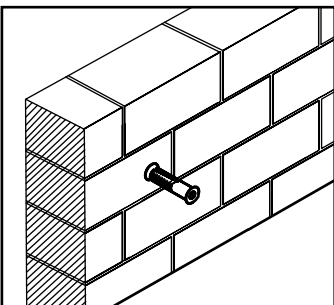
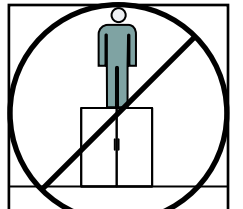
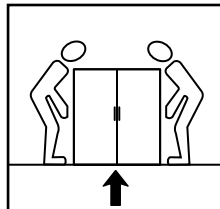
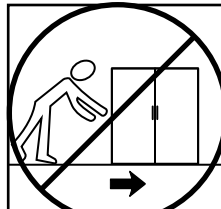
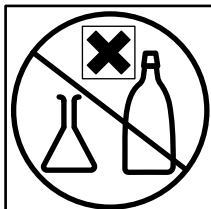
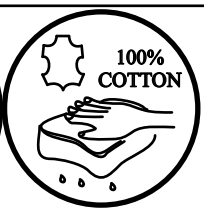
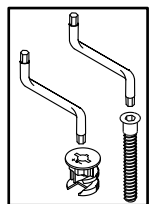
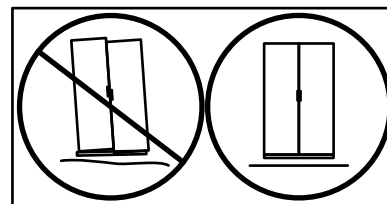
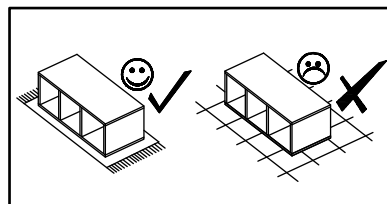
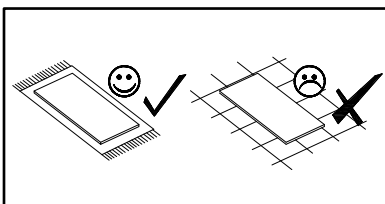
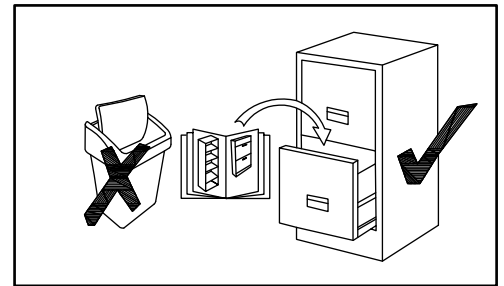
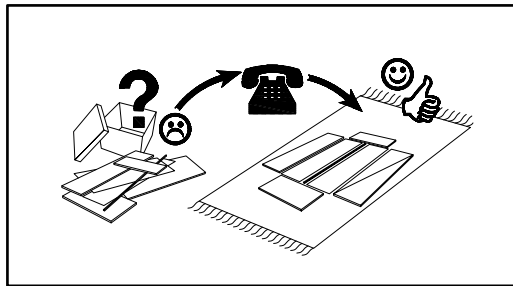
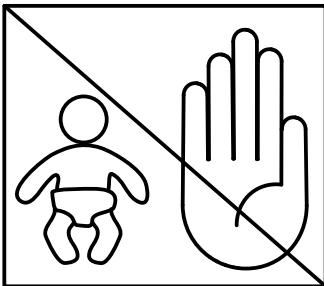
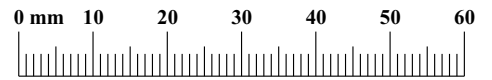
NO	Dim.		Col.-No	Qty
1	1170	284	1	1
2	1170	284	1	1
3	302	284	1	2
5	268	254	1	1
4	268	264	1	1
7	1182	280	1	1
6	296	1196	1	1



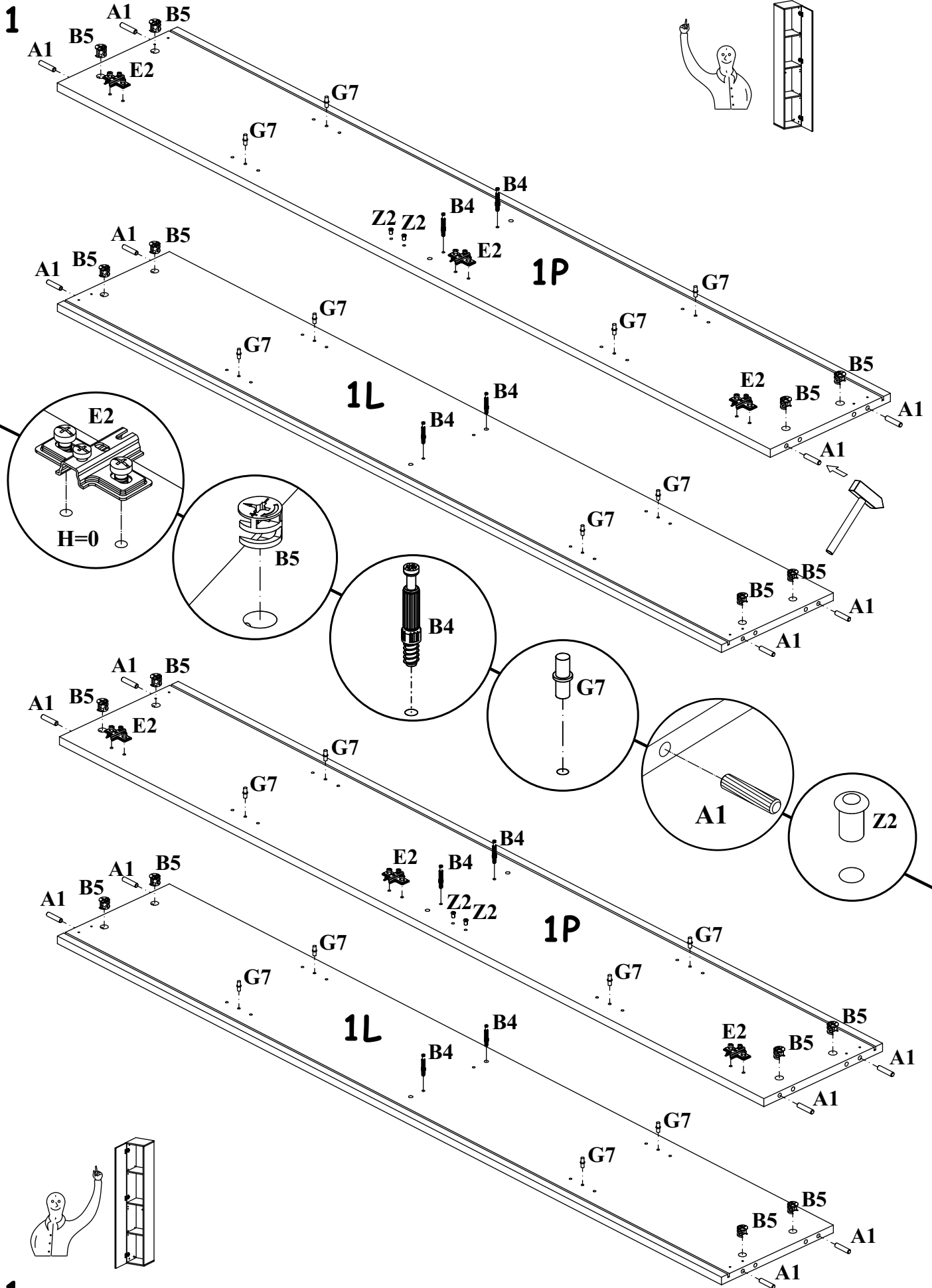
60 min

SWITCH - SW1

A1 X12 ø8x36	B4 X12	G5 X12	B5 X12 ø15x12	G7 X8	S1 X10
Z2 X2 ø5	D10 X8 USØ3,5x13	G2 X1	E1 X3 Ø26 H=0	E2 X3 H=0	ZR1 X2
D6 X4 USØ3,5x30	OD1 X1	KR2 X2			



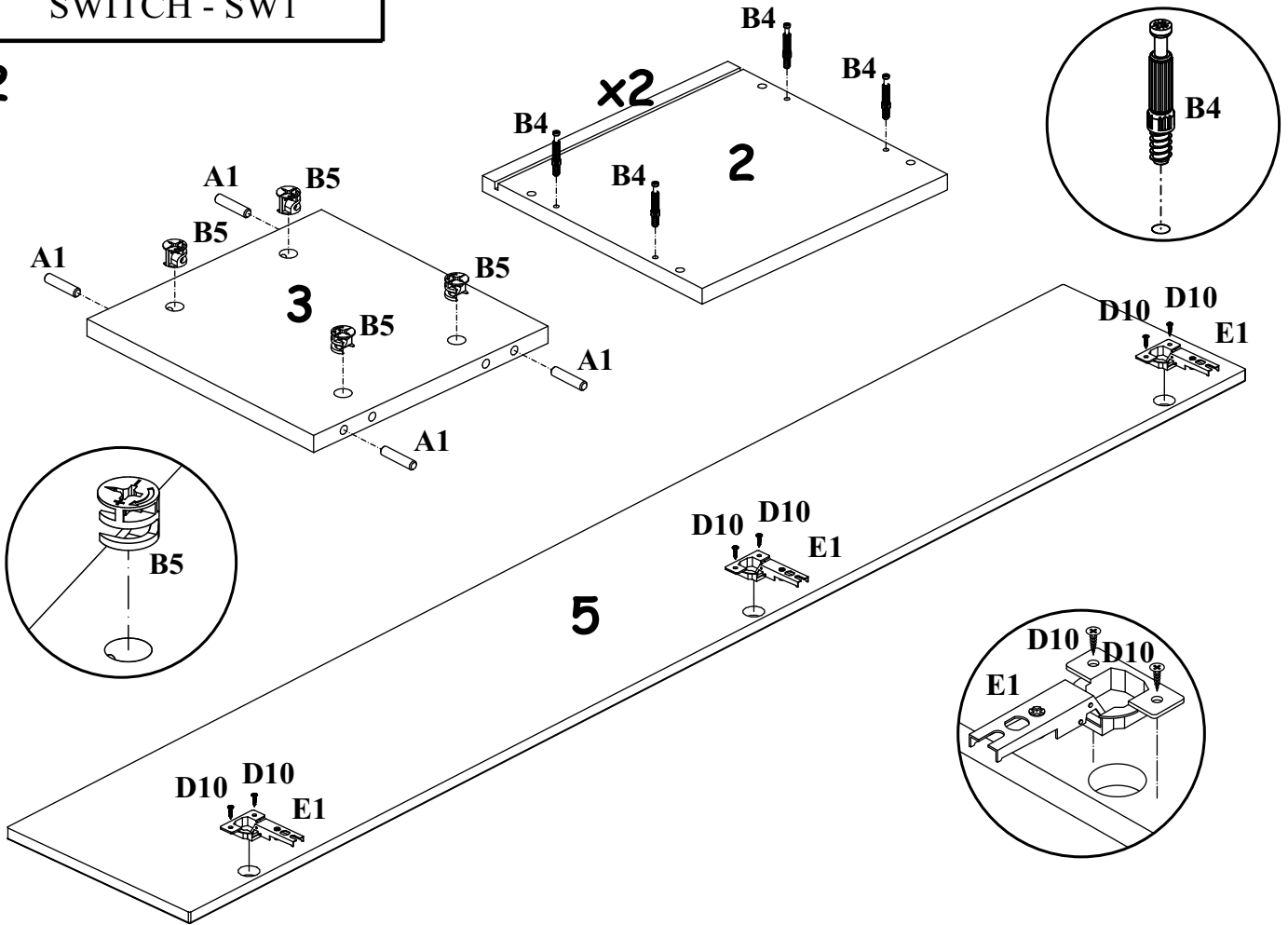
SWITCH - SW1



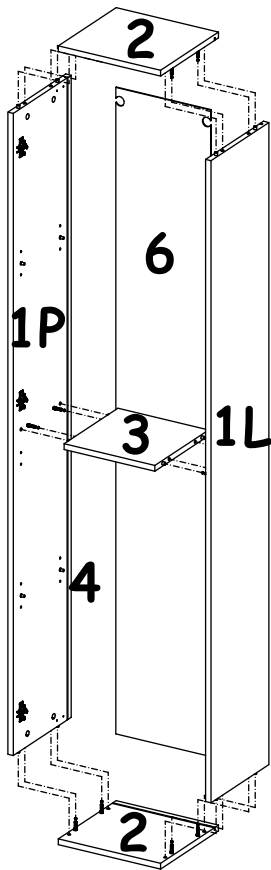
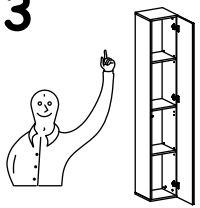
1

SWITCH - SW1

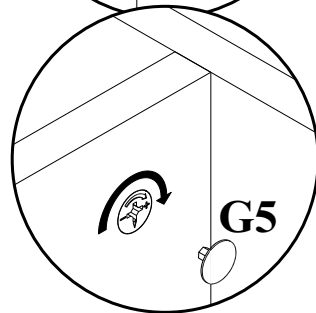
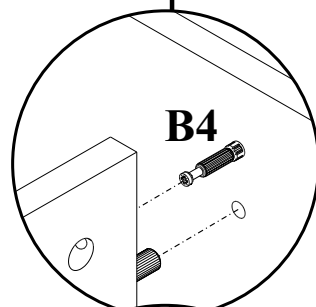
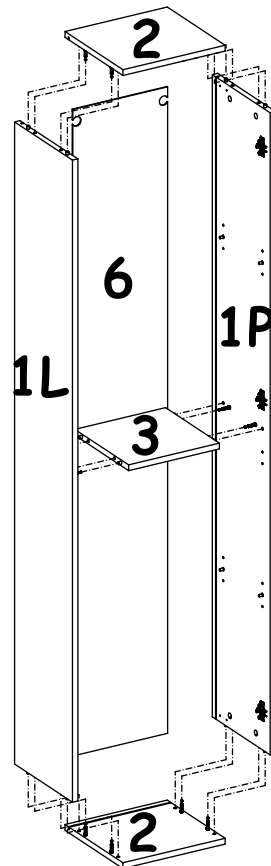
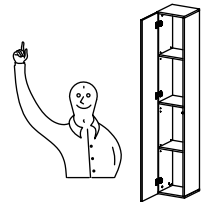
2



3

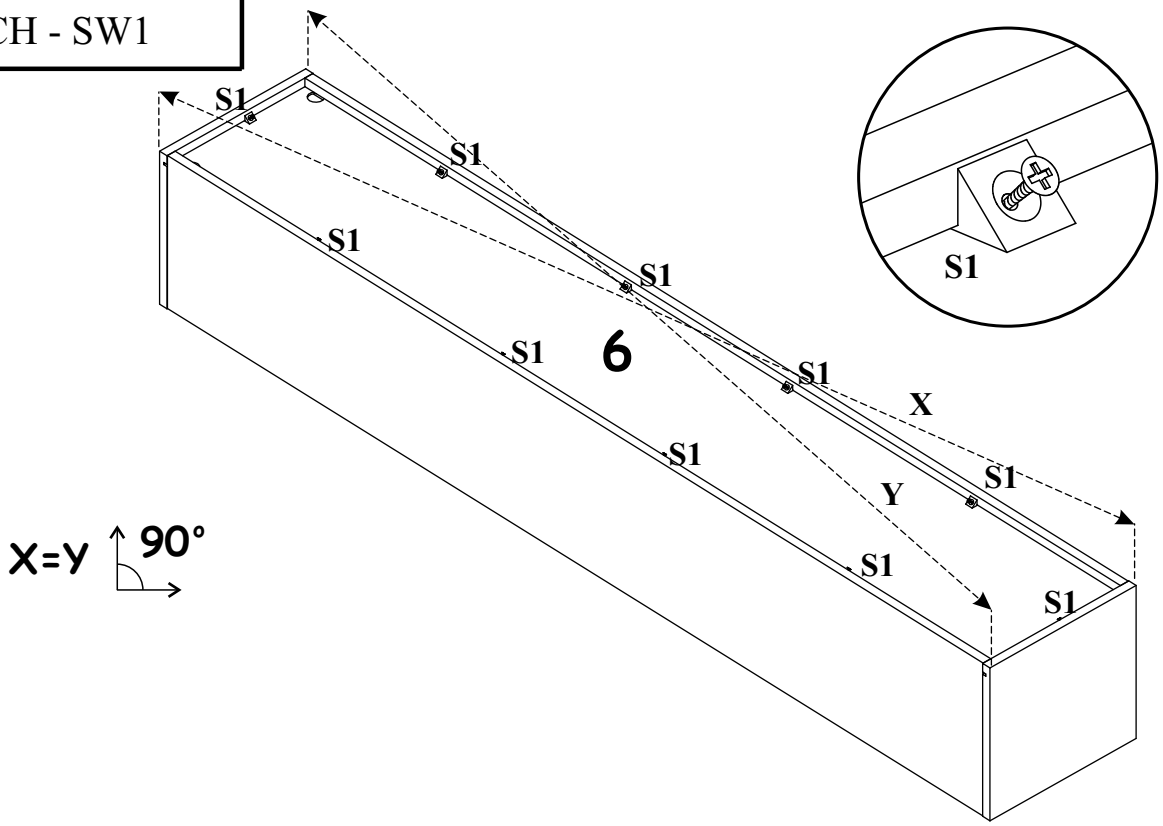


3

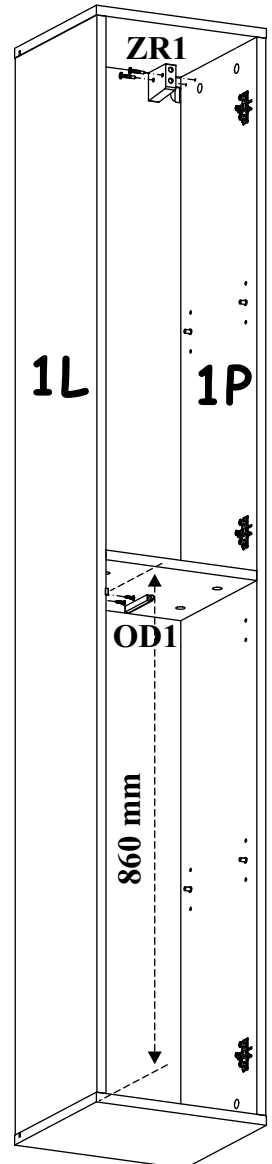
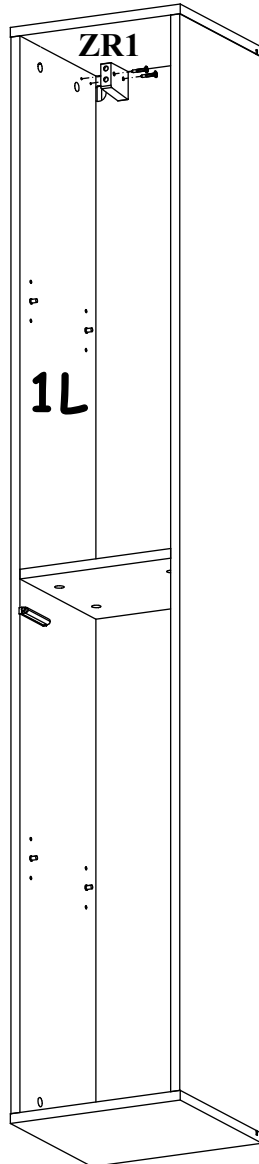
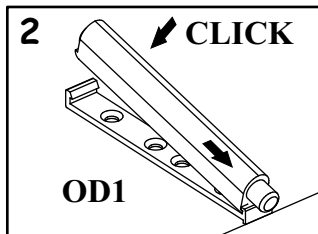
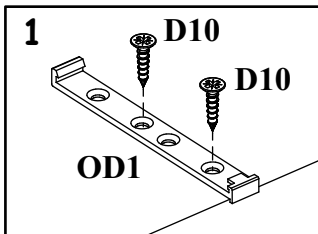
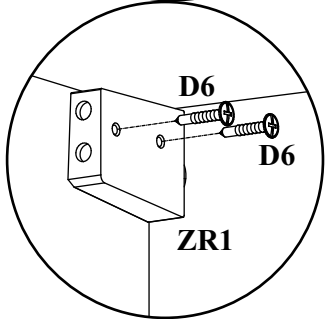
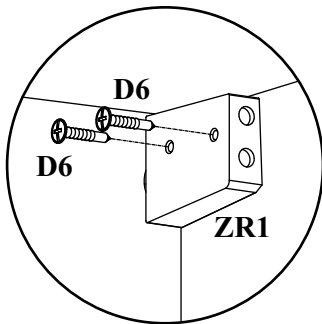
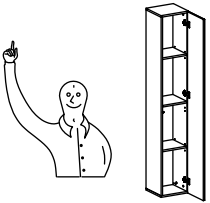


SWITCH - SW1

4

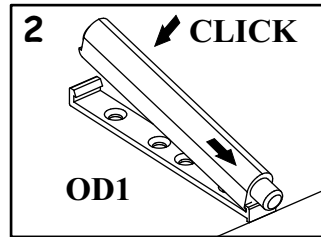
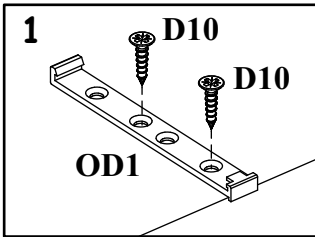
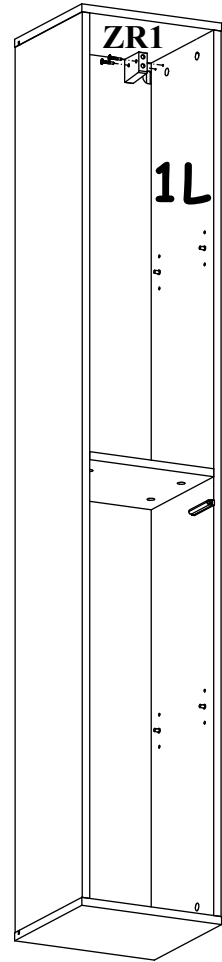
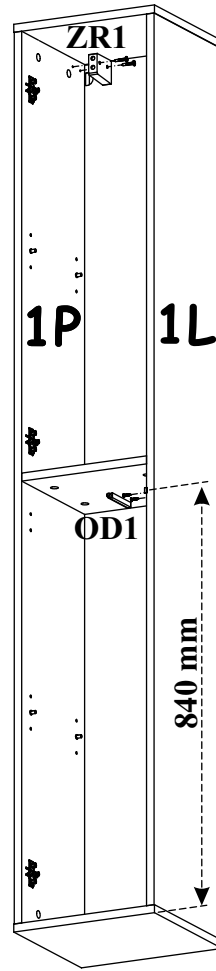
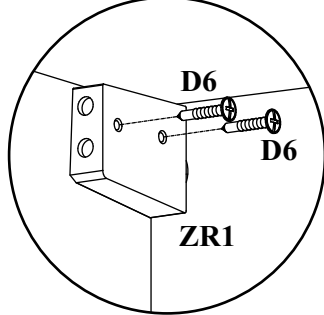
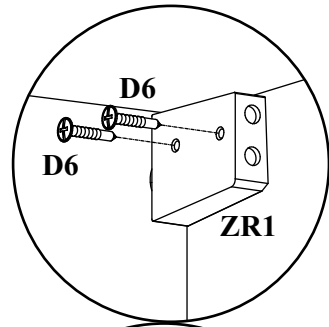
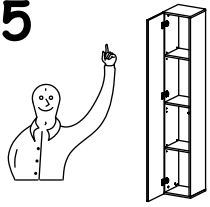


5

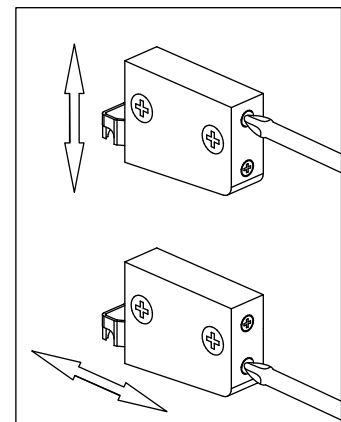
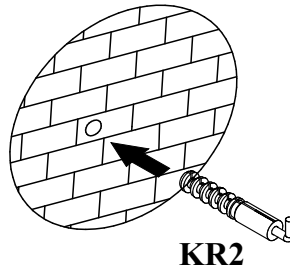
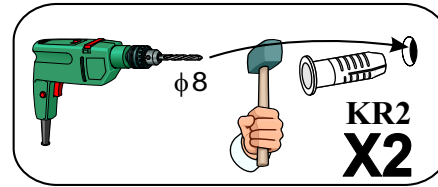
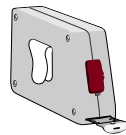
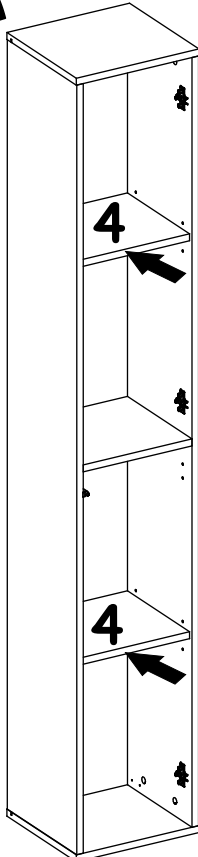
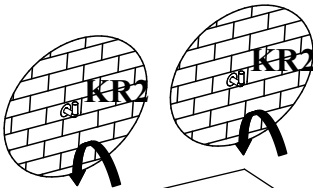


SWITCH - SW1

5

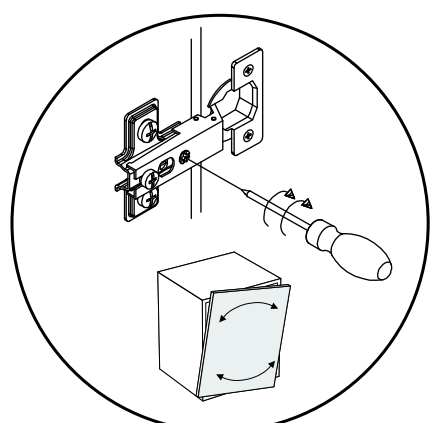
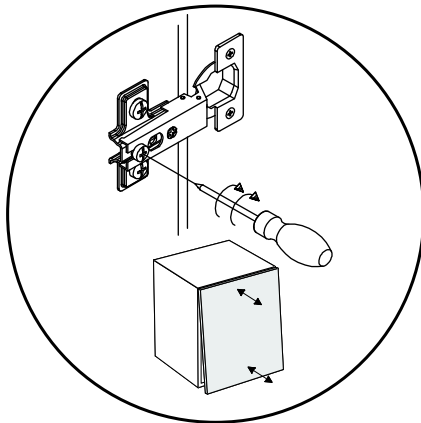
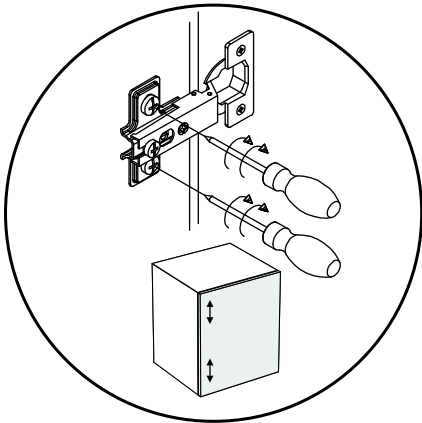
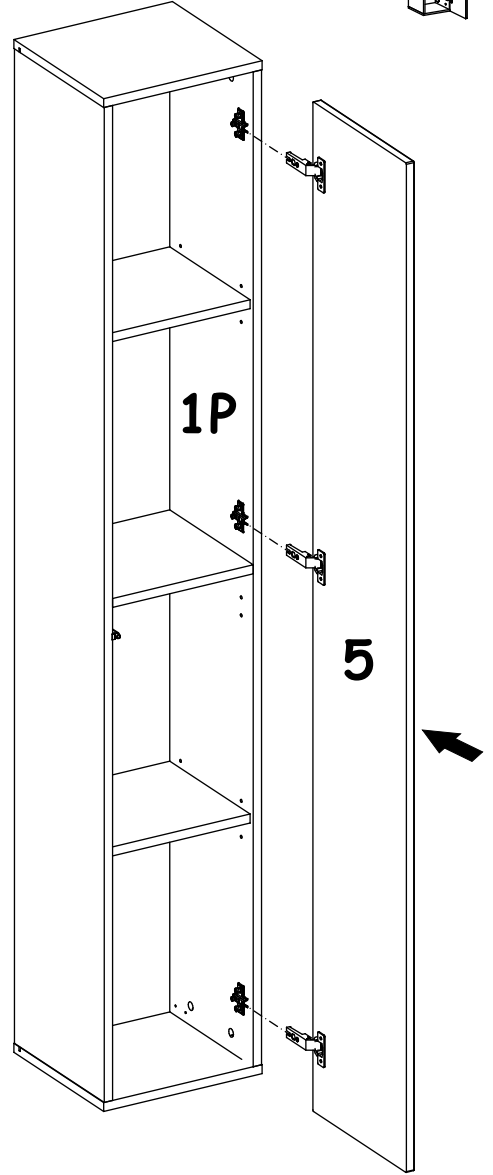
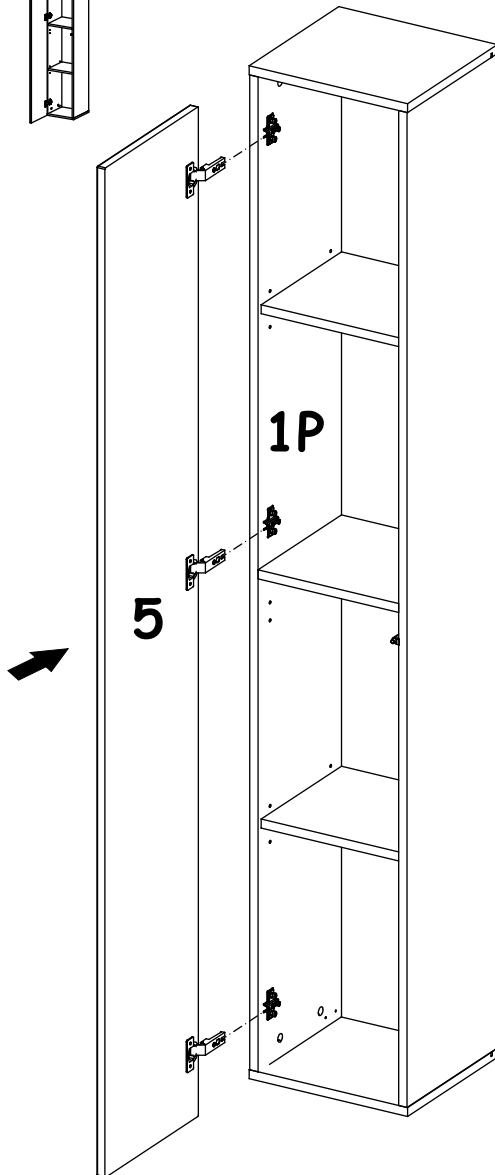
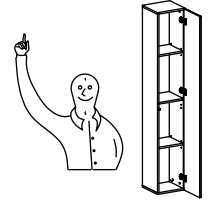
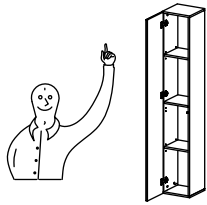


6




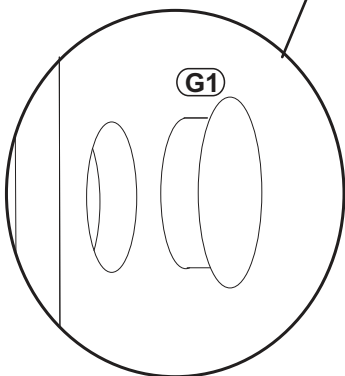
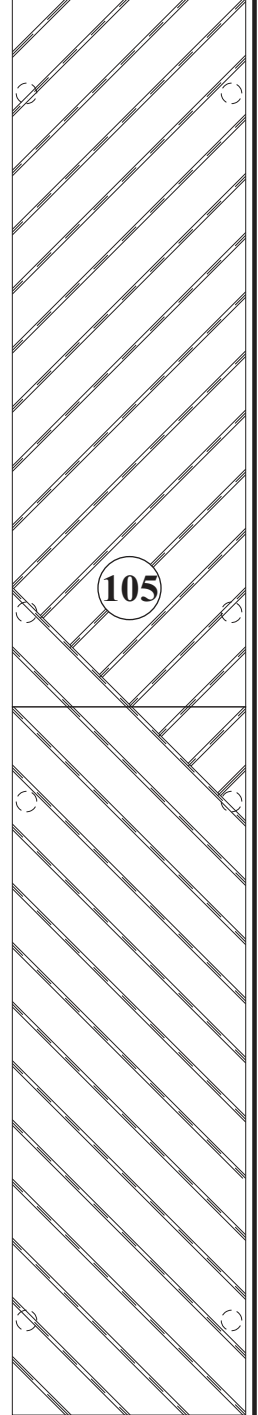
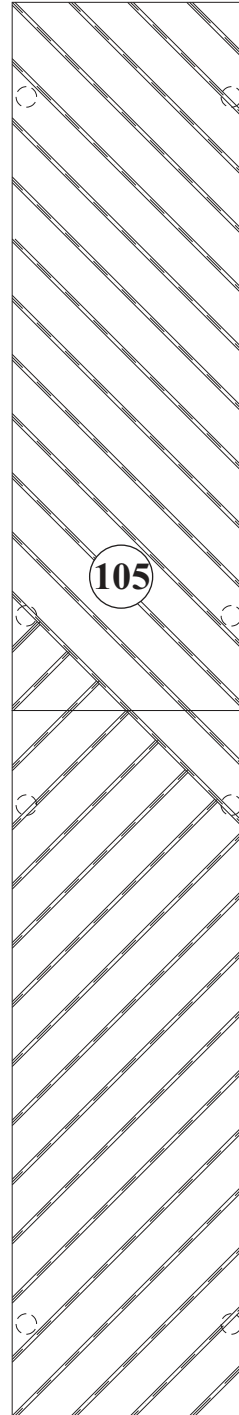
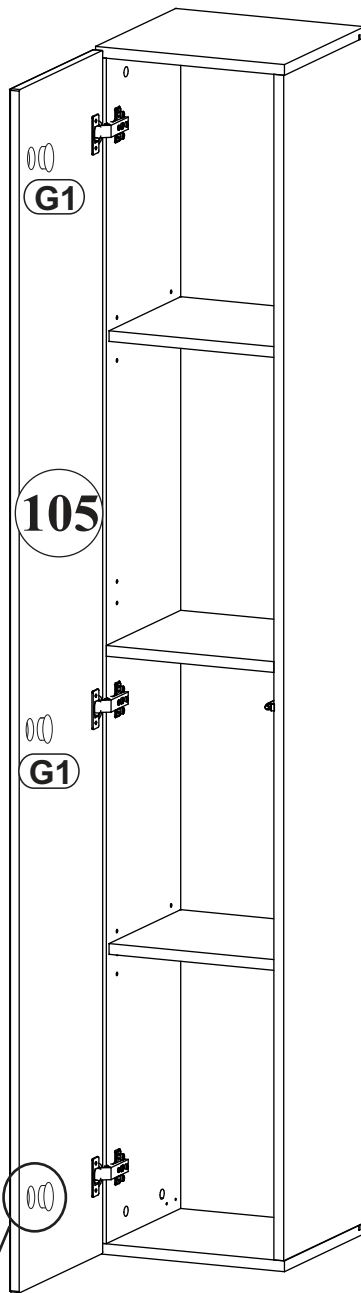
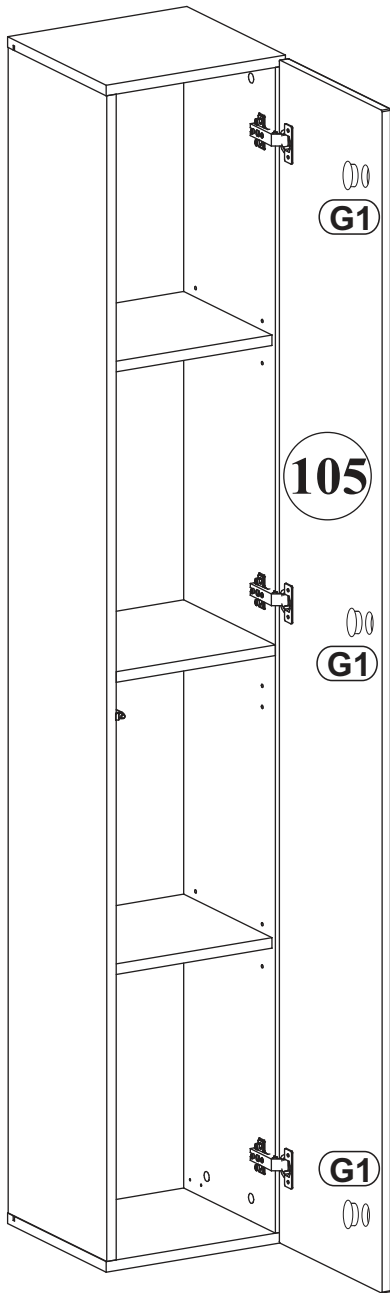
SWITCH - SW1

7

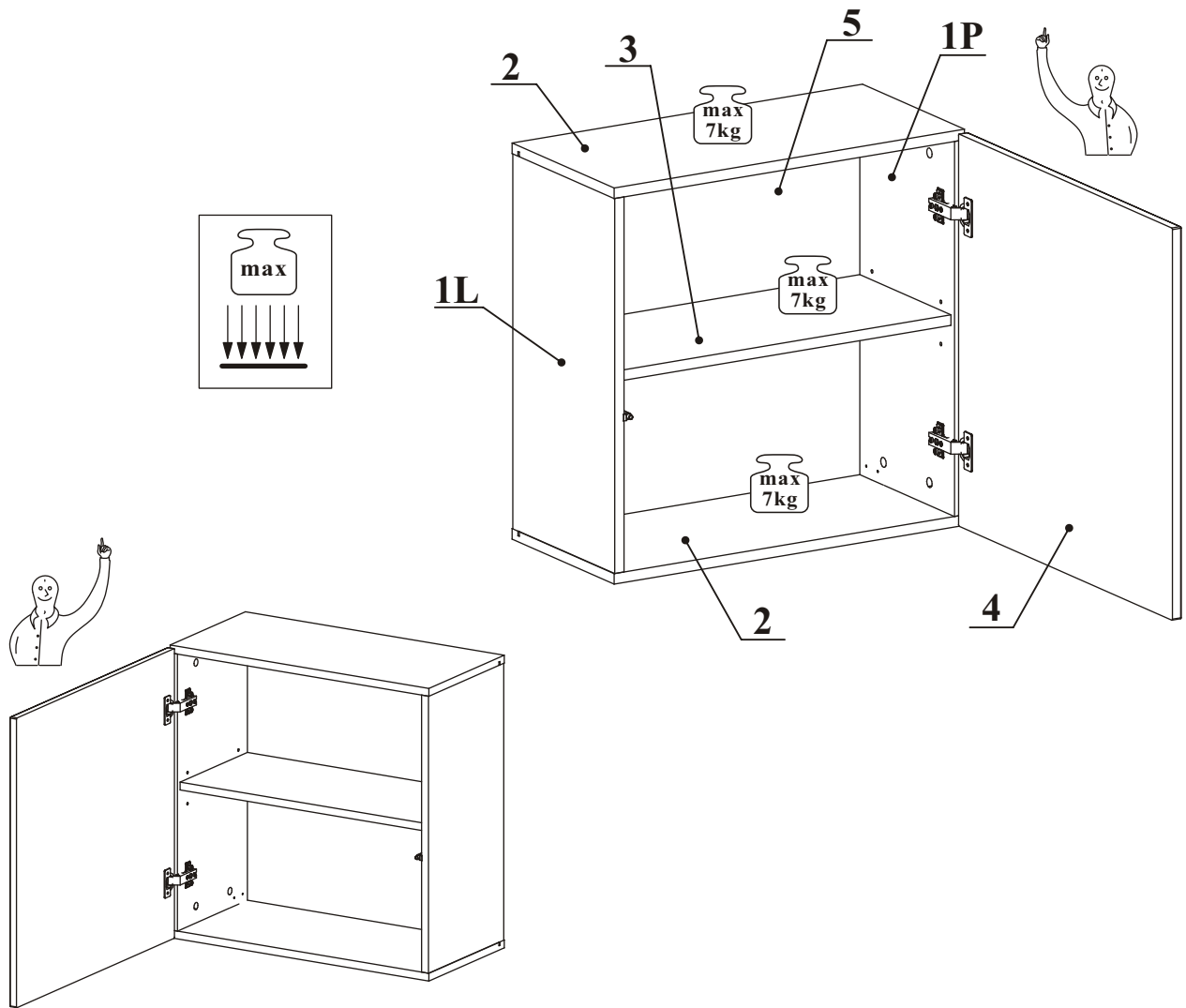


SWITCH WTL SW1

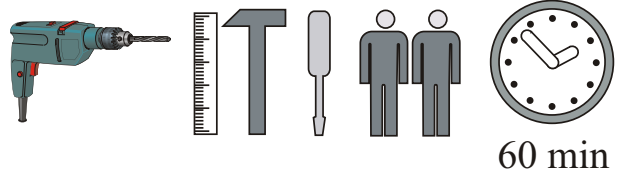
G1	
x3	Ø26



SWITCH SW3



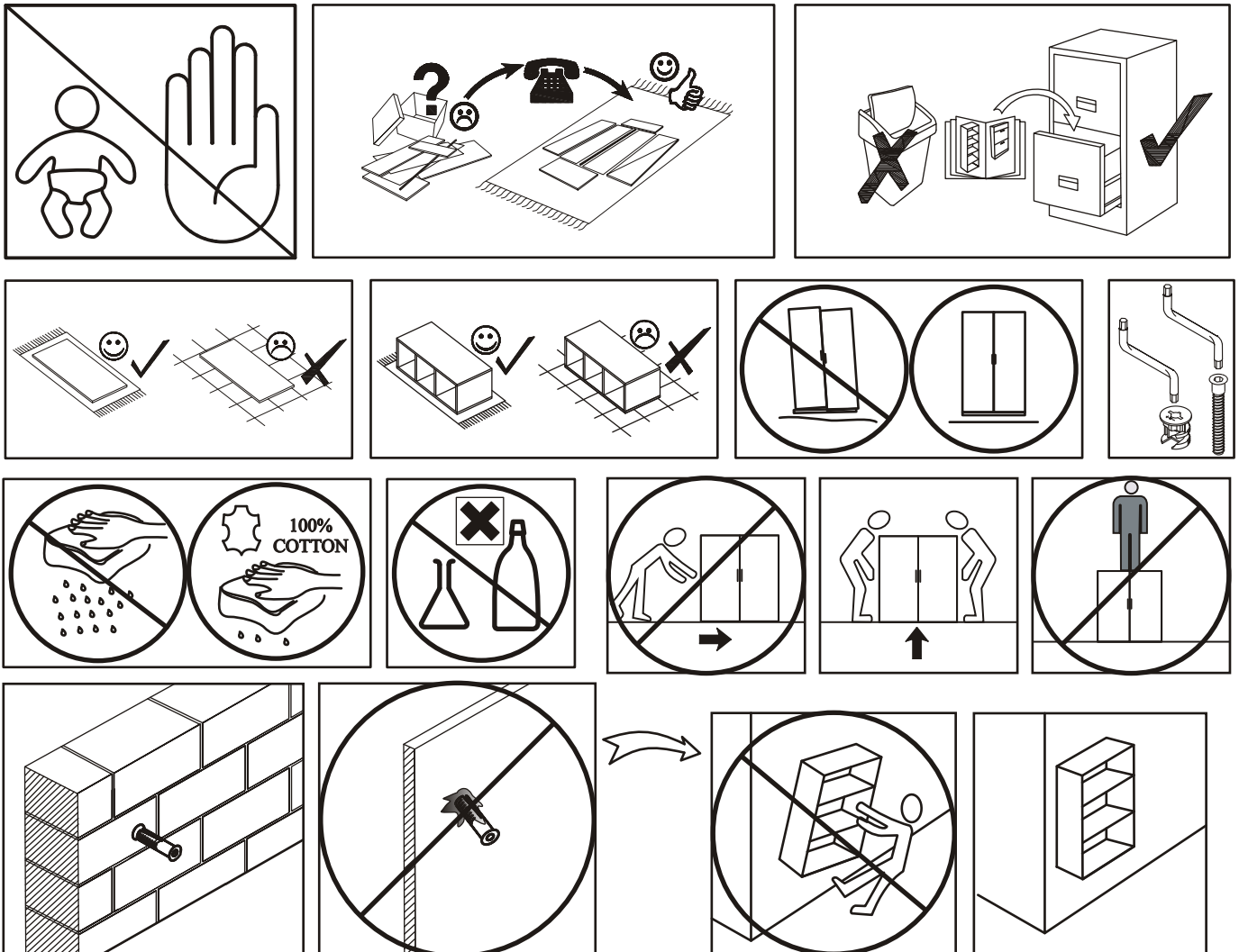
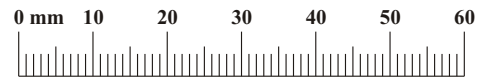
NO	Dim.		Col.-No	Qty
1 L/P	570	284	1	2
2	602	284	1	2
3	568	254	1	1
5	582	580	1	1
4	596	596	1	1



60 min

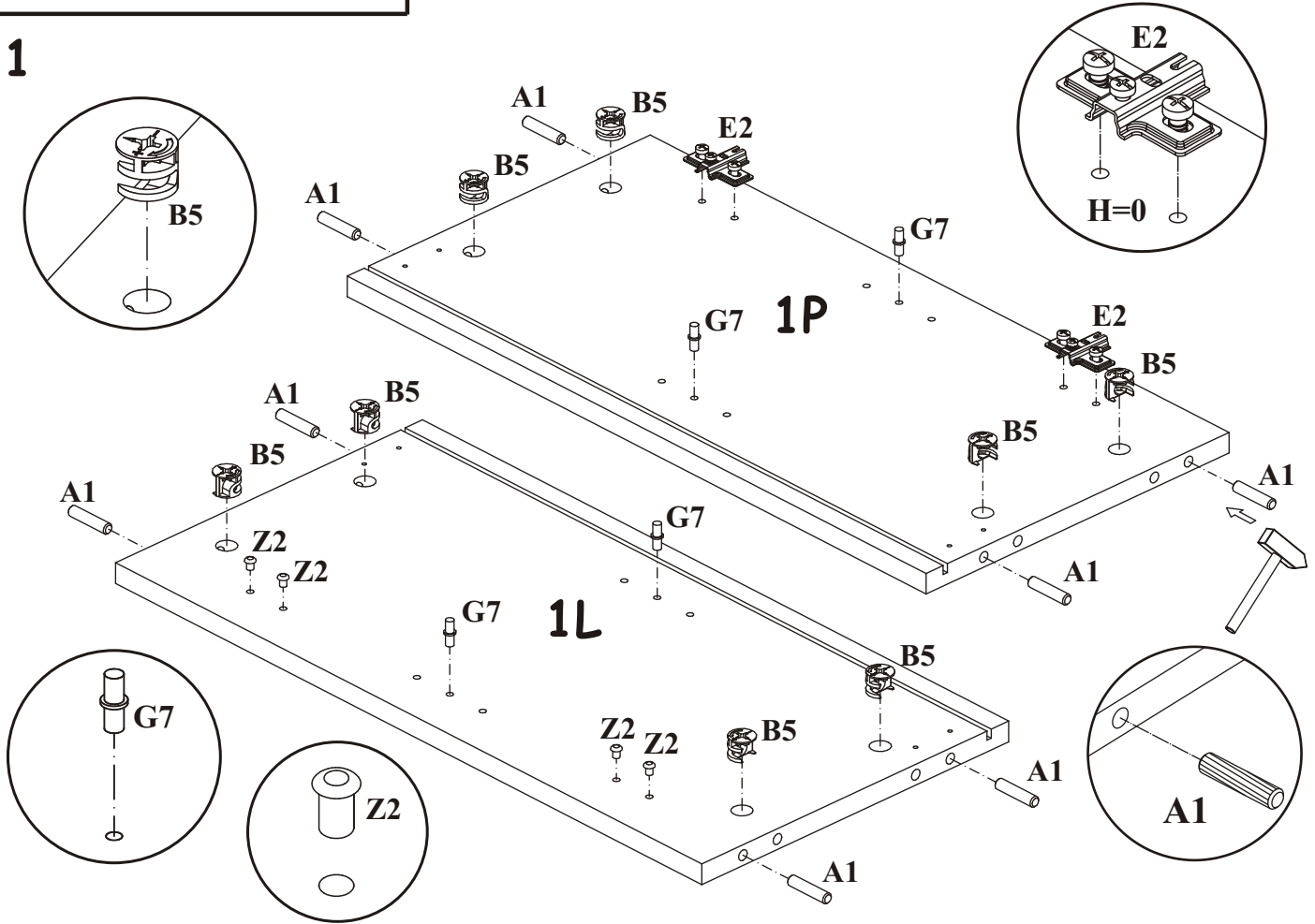
SWITCH - SW3

A1 X8 ø8x36	B4 X8	G5 X8	B5 X8 ø15x12	G7 X4	S1 X8
Z2 X4 ø5	D10 X6 USØ3,5x13	G2 X1	E1 X2 Ø26 H=0	E2 X2 H=0	ZR1 X2
D6 X4 USØ3,5x30	OD1 X1	KR2 X2			

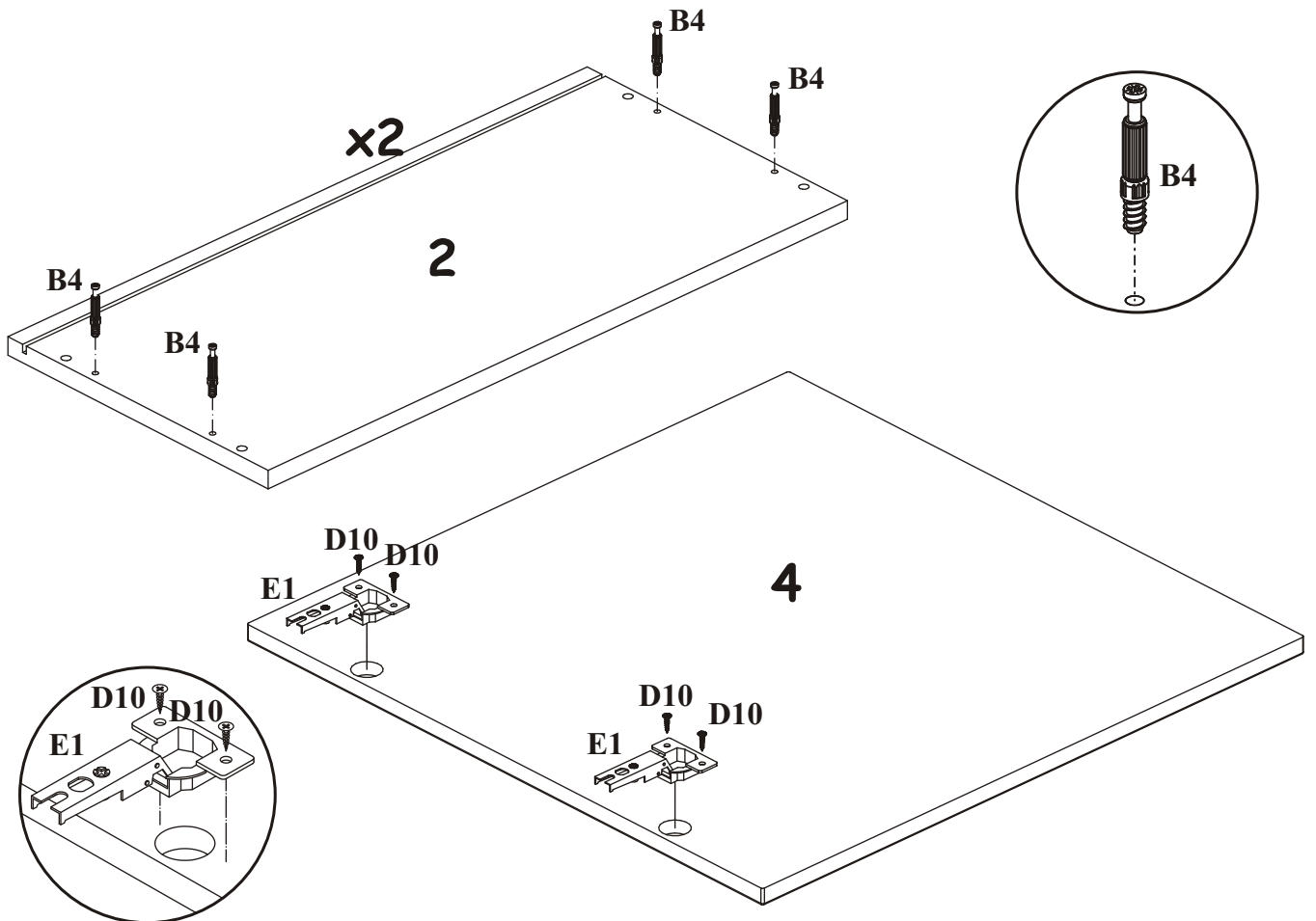


SWITCH - SW3

1

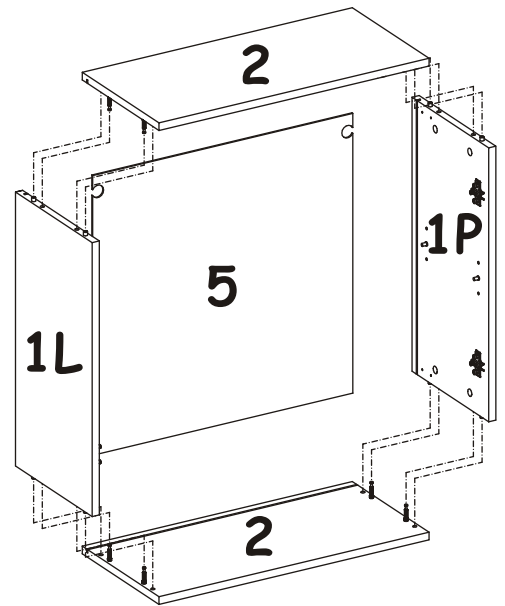
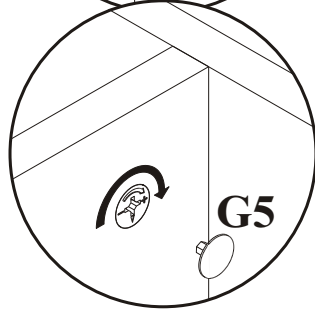
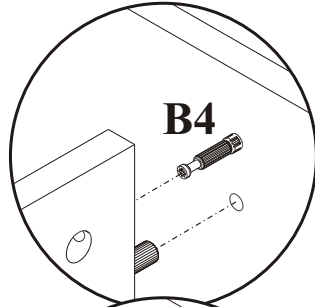
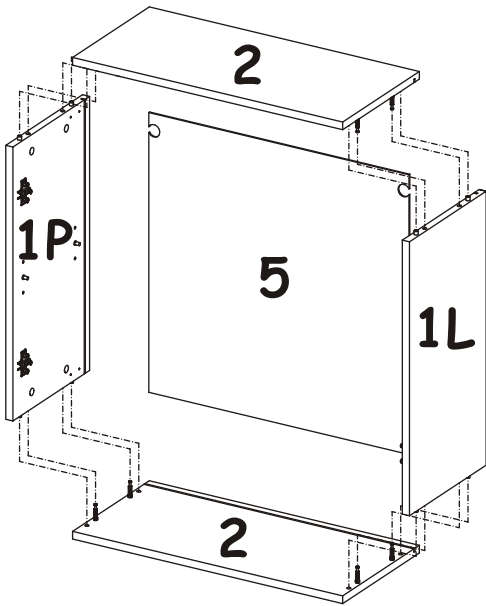
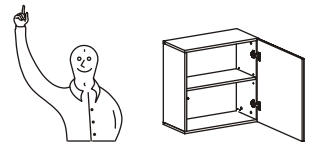
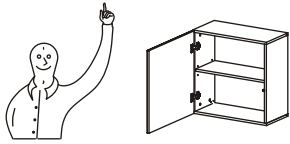


2

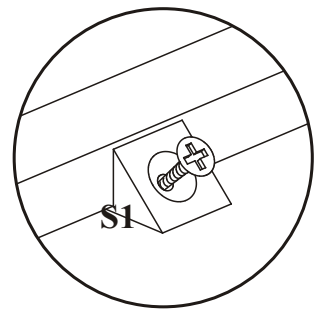
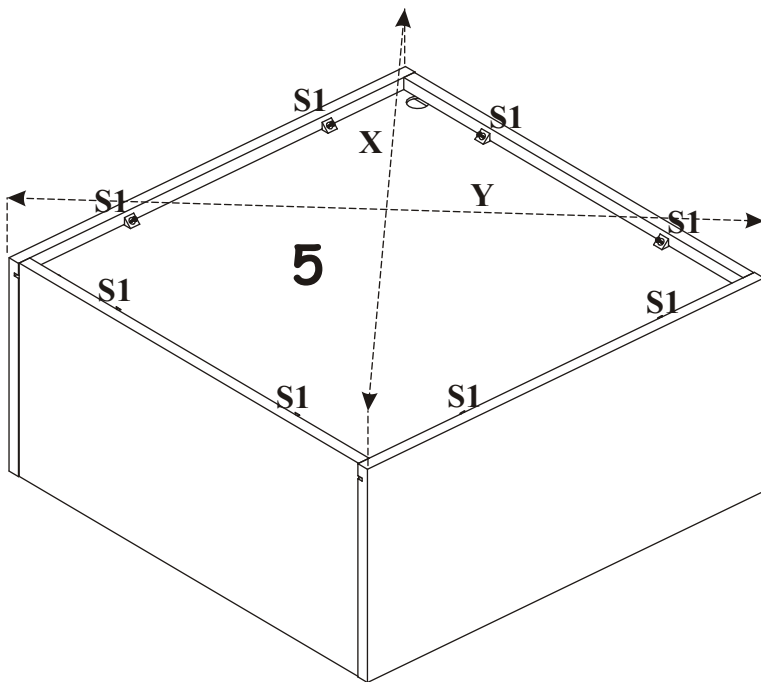


SWITCH - SW3

3



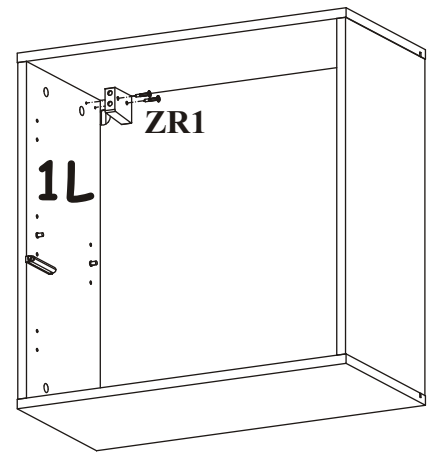
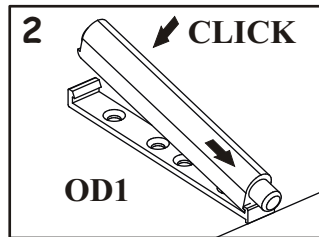
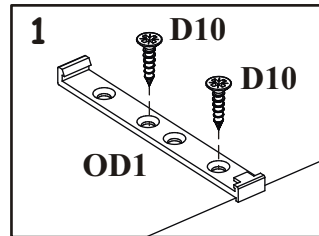
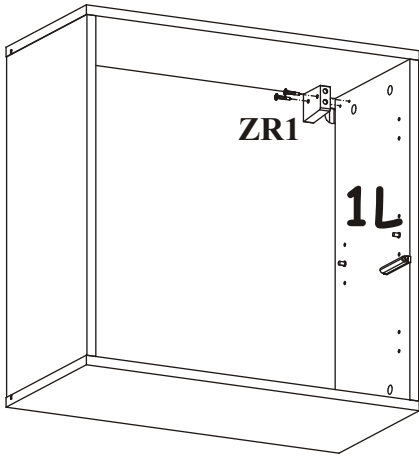
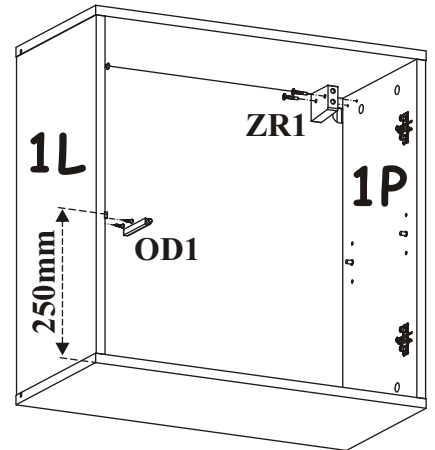
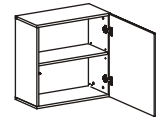
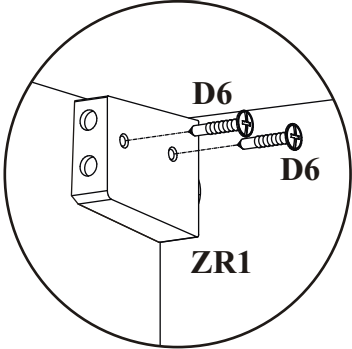
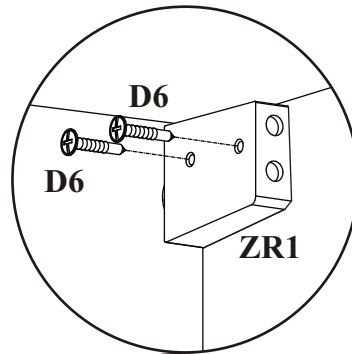
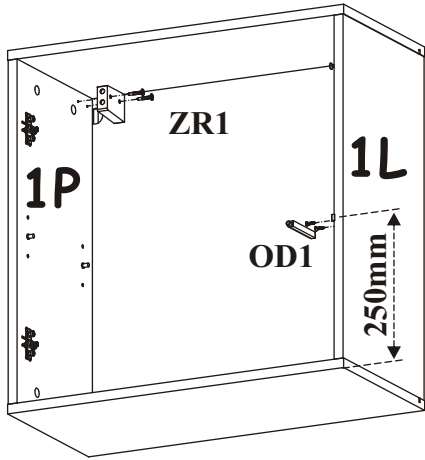
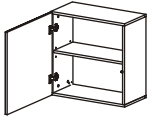
4



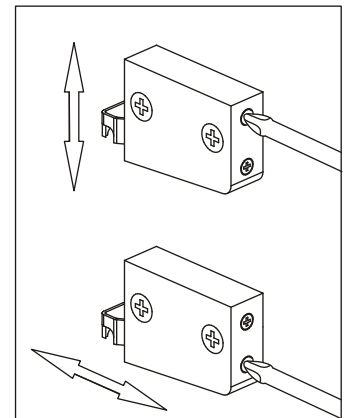
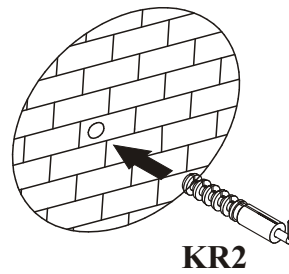
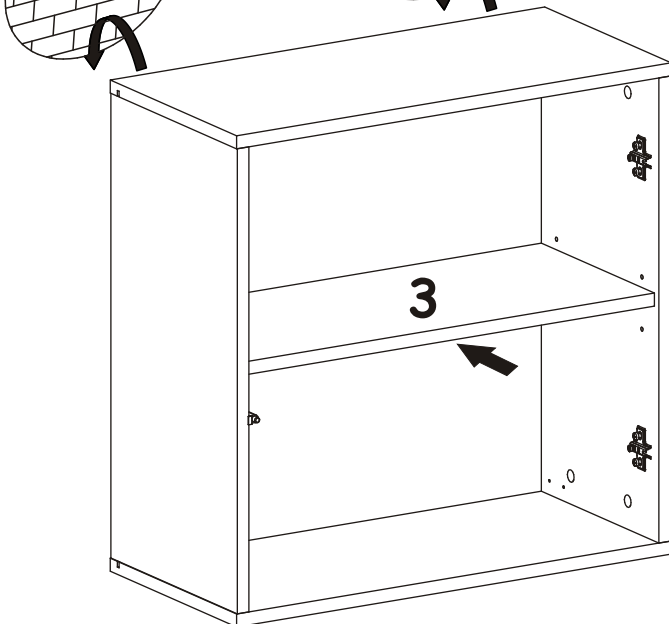
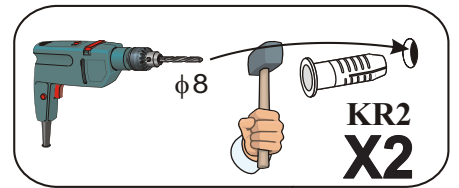
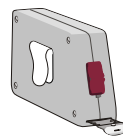
$X=Y$ \uparrow 90°

SWITCH - SW3

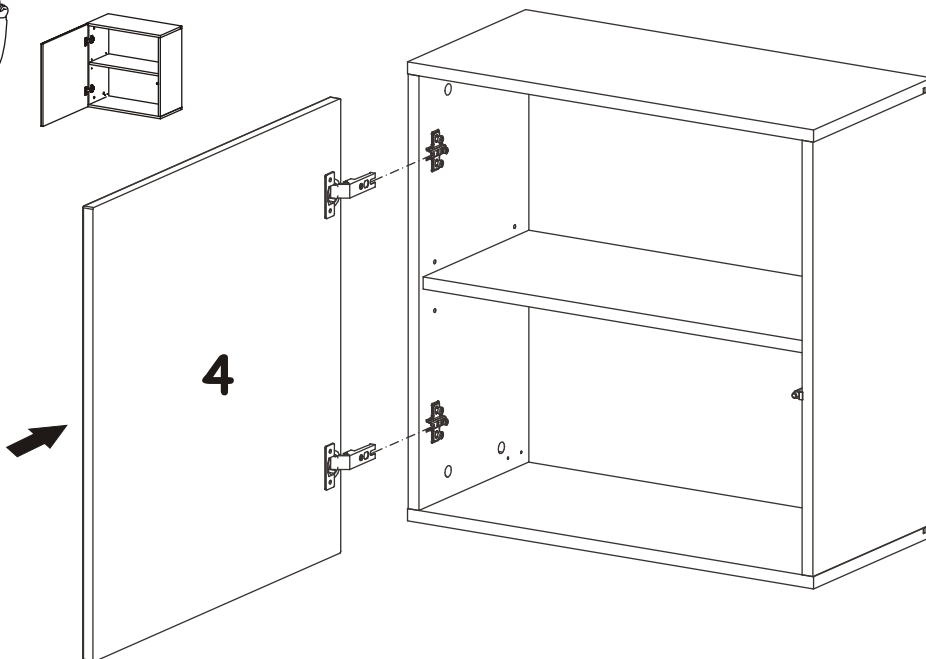
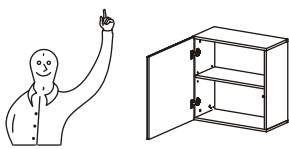
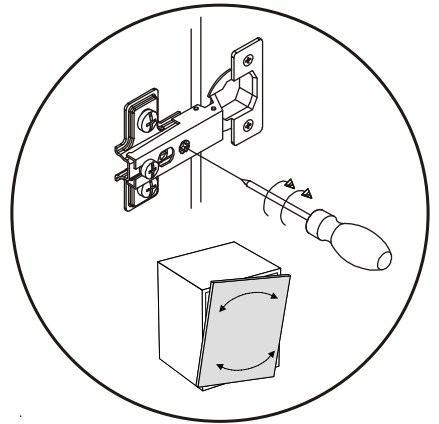
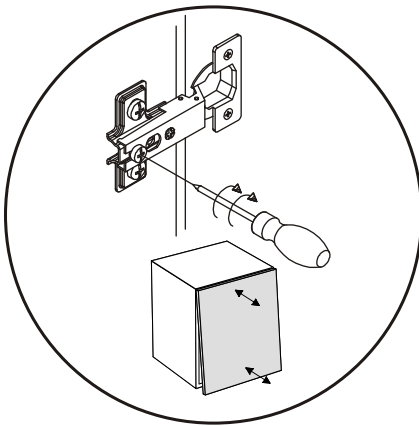
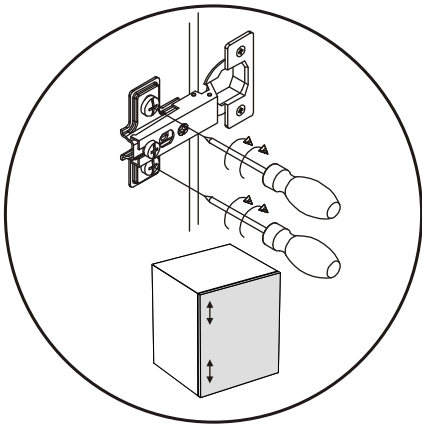
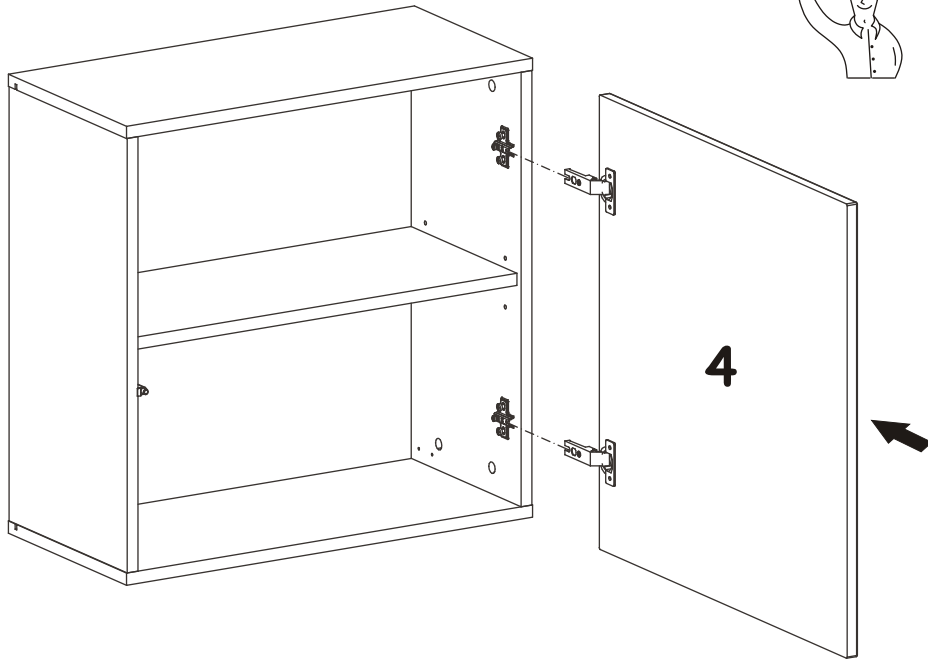
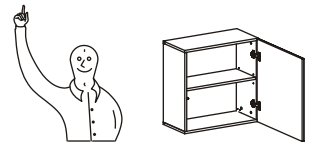
5




6

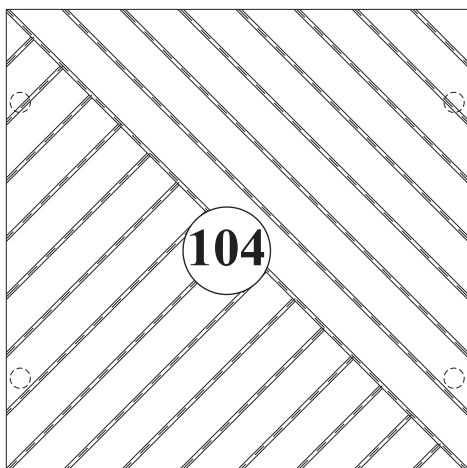
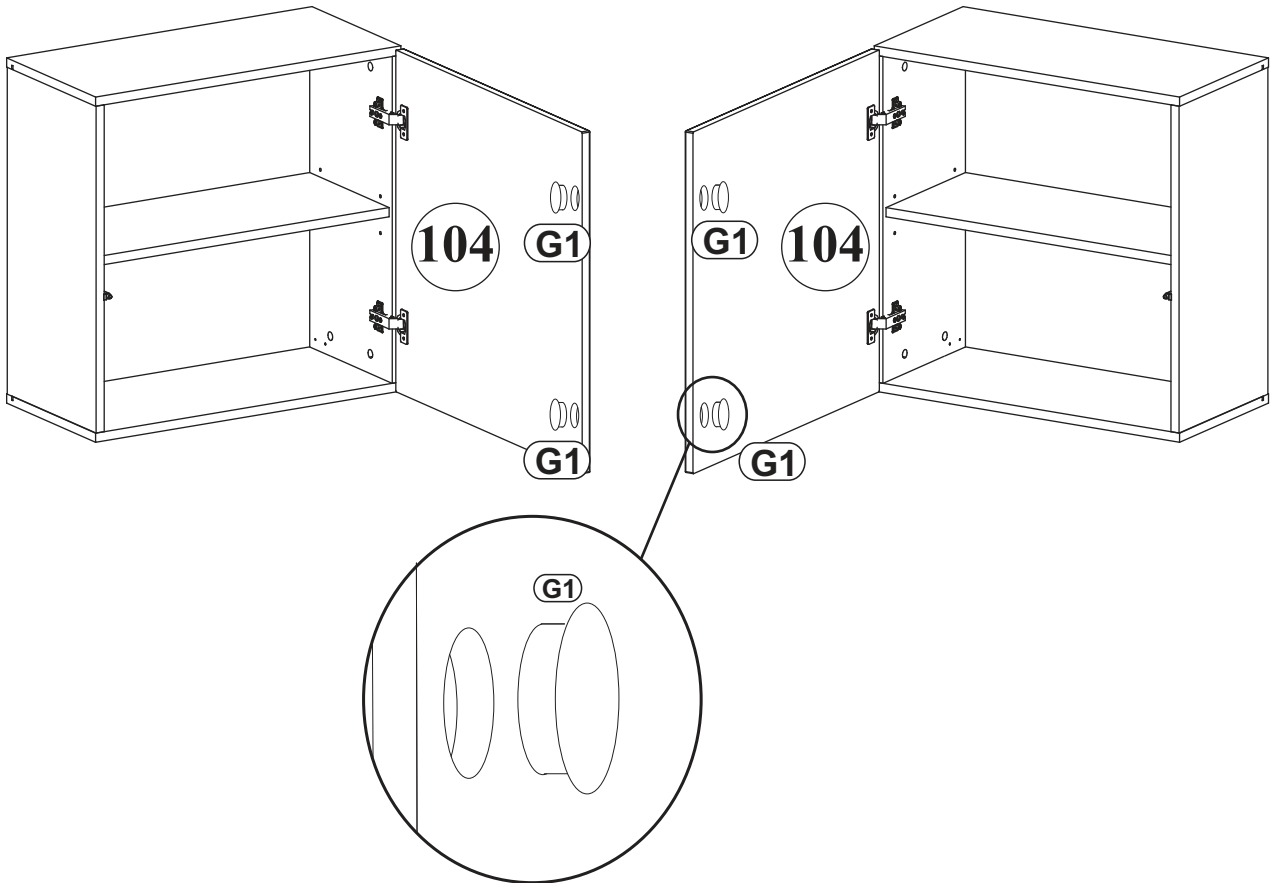


7

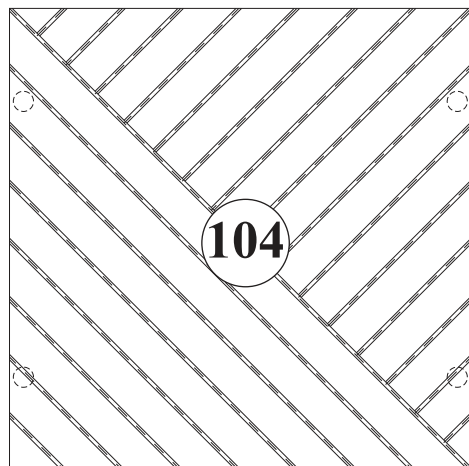


SWITCH WTL SW3

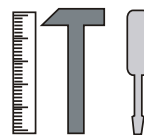
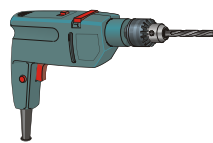
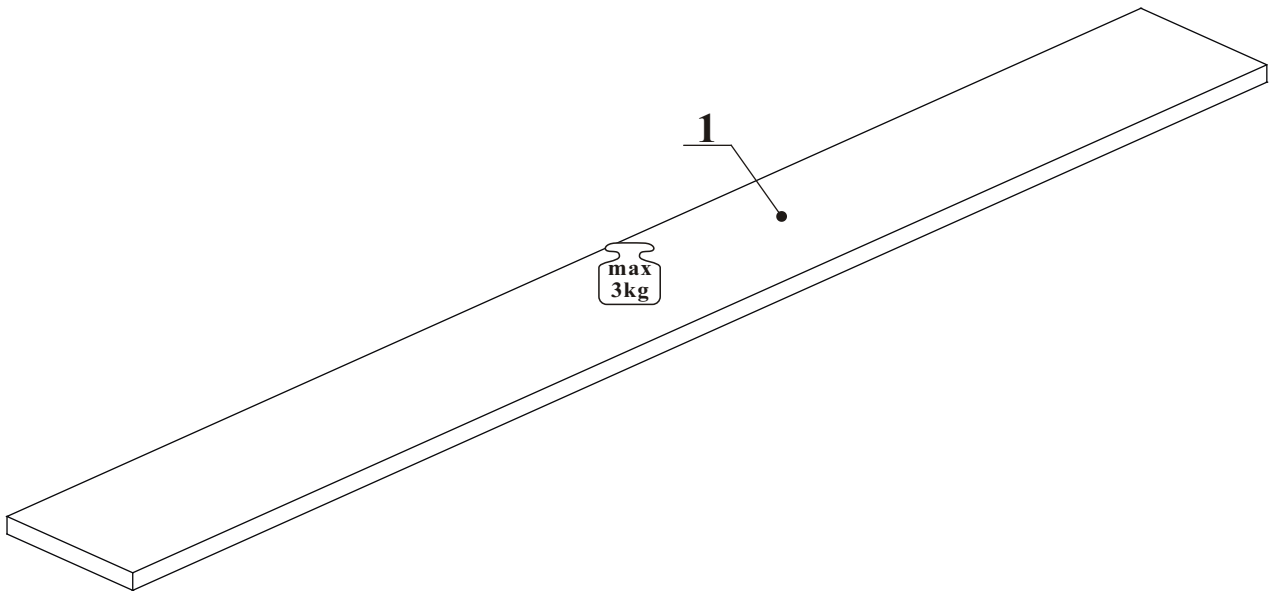
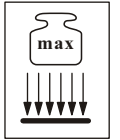
G1	
x2	Ø26



180°



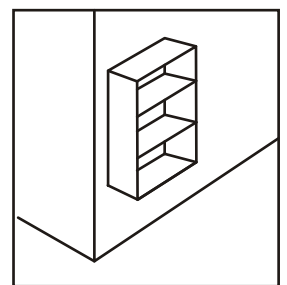
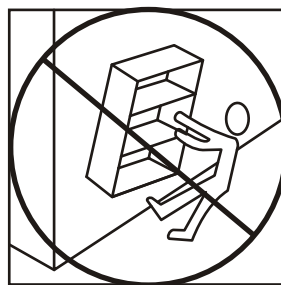
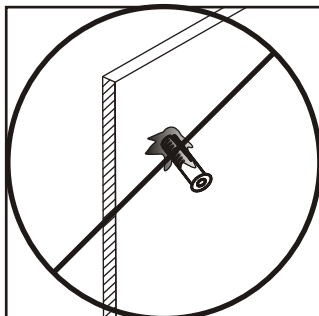
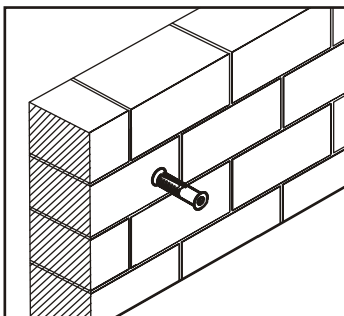
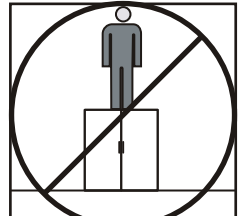
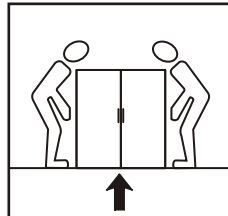
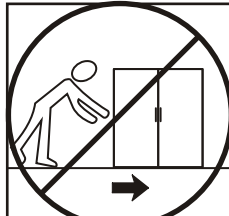
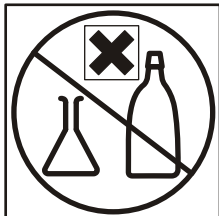
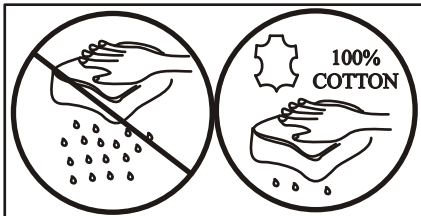
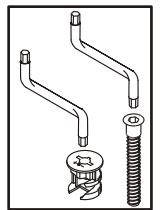
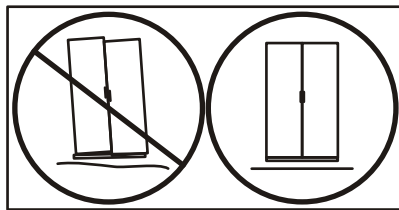
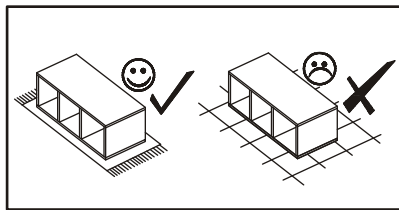
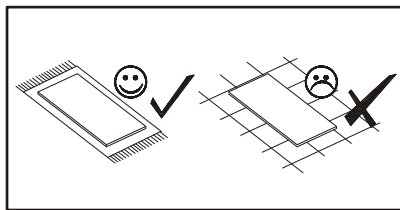
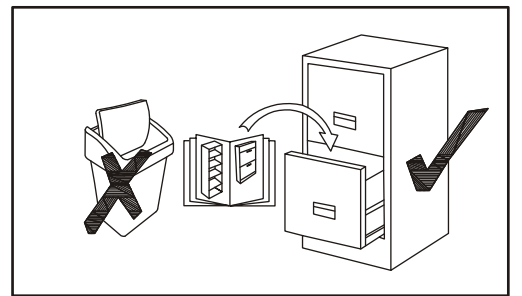
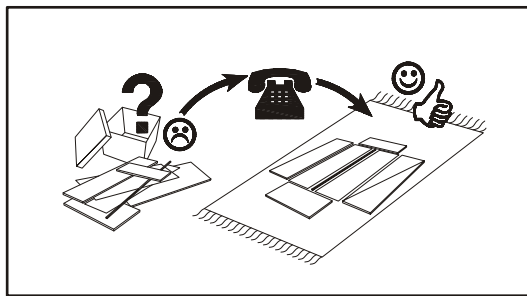
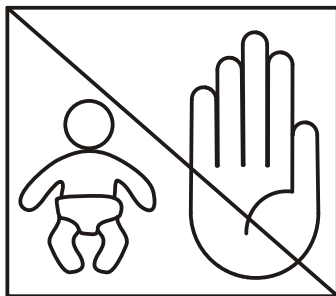
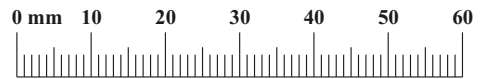
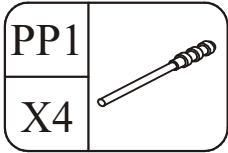
SWITCH PW 1



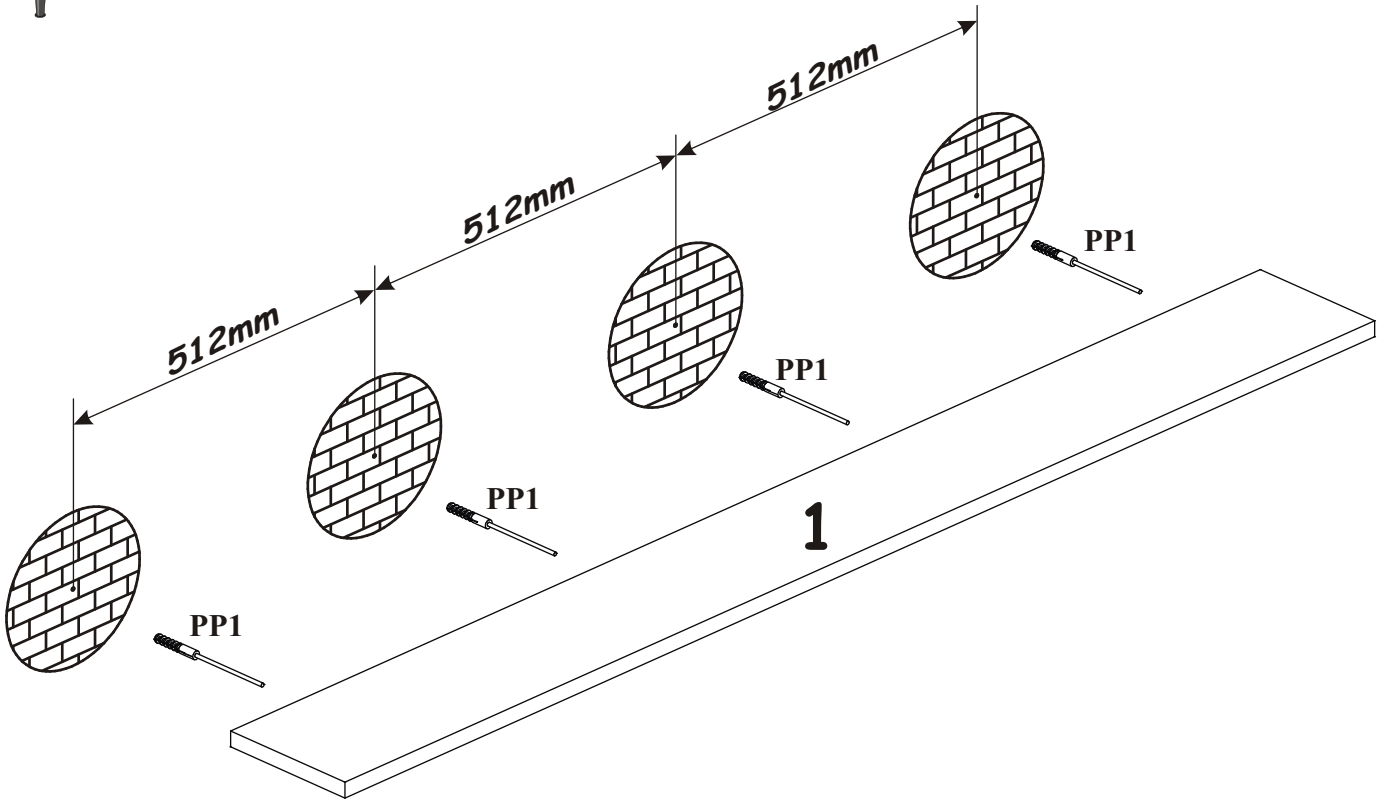
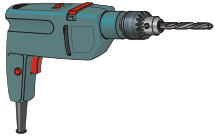
10 min

NO	Dim.	Col.-No	Qty
1	1802 200	1	1

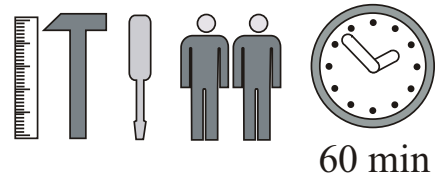
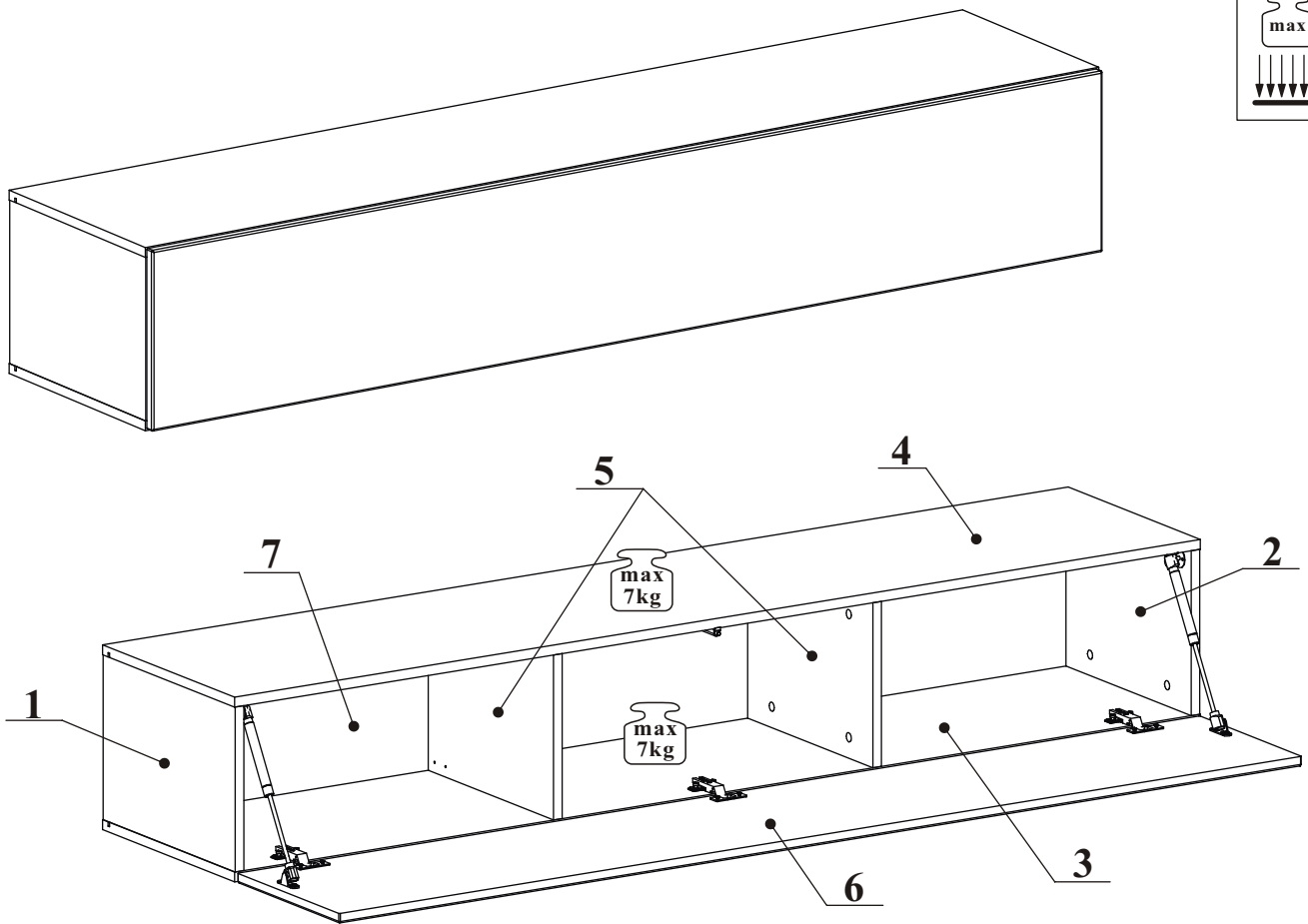
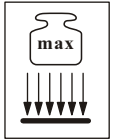
SWITCH PW 1



SWITCH PW 1



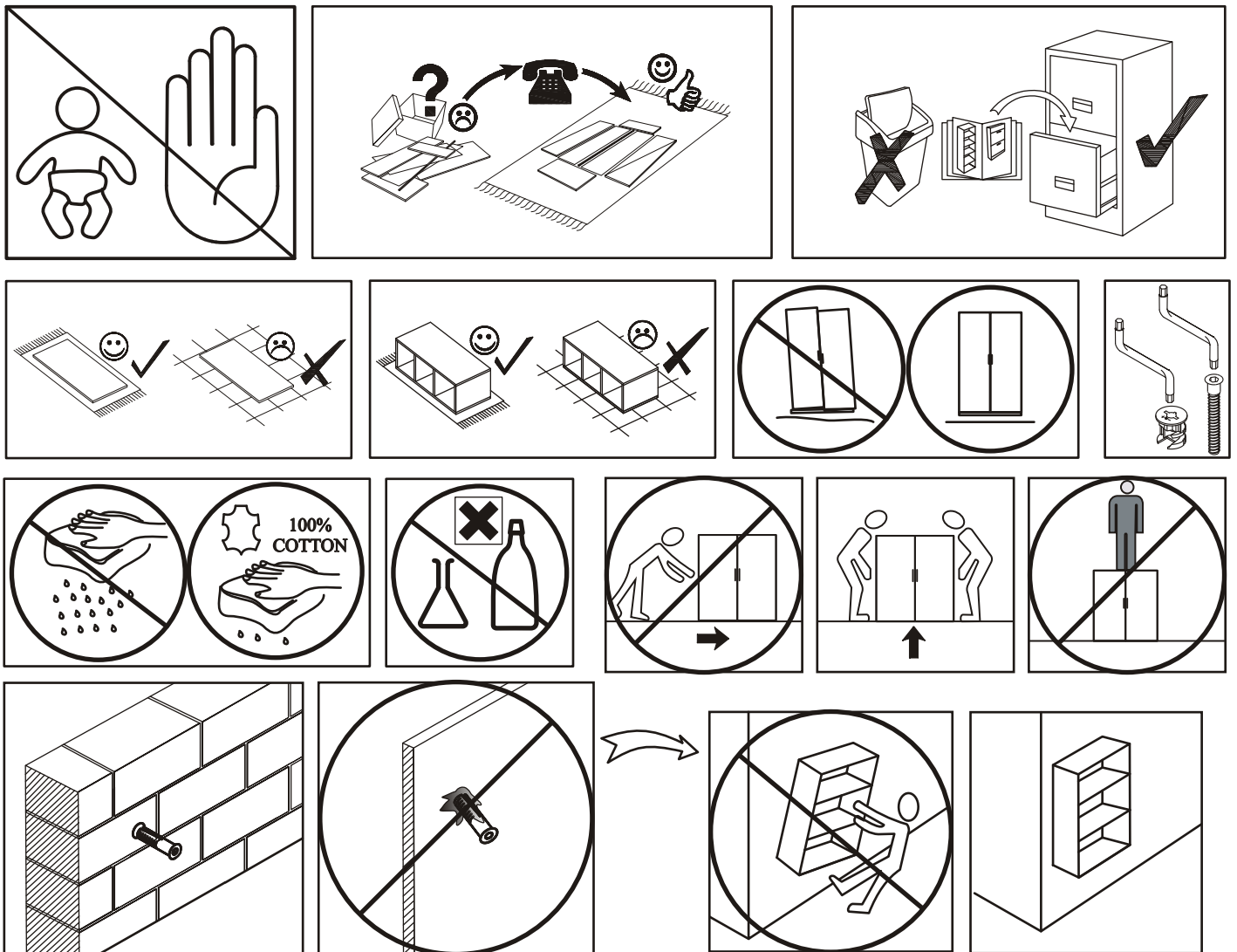
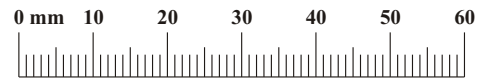
SWITCH RTV 1



NO	Dim.		Col.-No	Qty
1	268	384	1	1
2	268	384	1	1
3	1802	384	1	1
4	1802	384	1	1
5	268	364	1	2
7	1780	280	1	1
6	1796	296	1	1

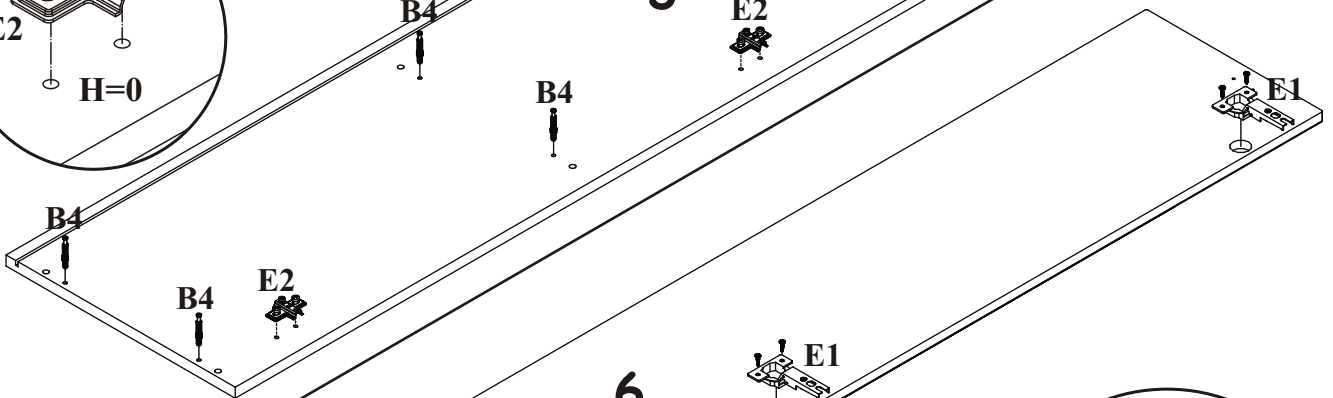
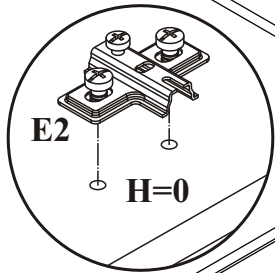
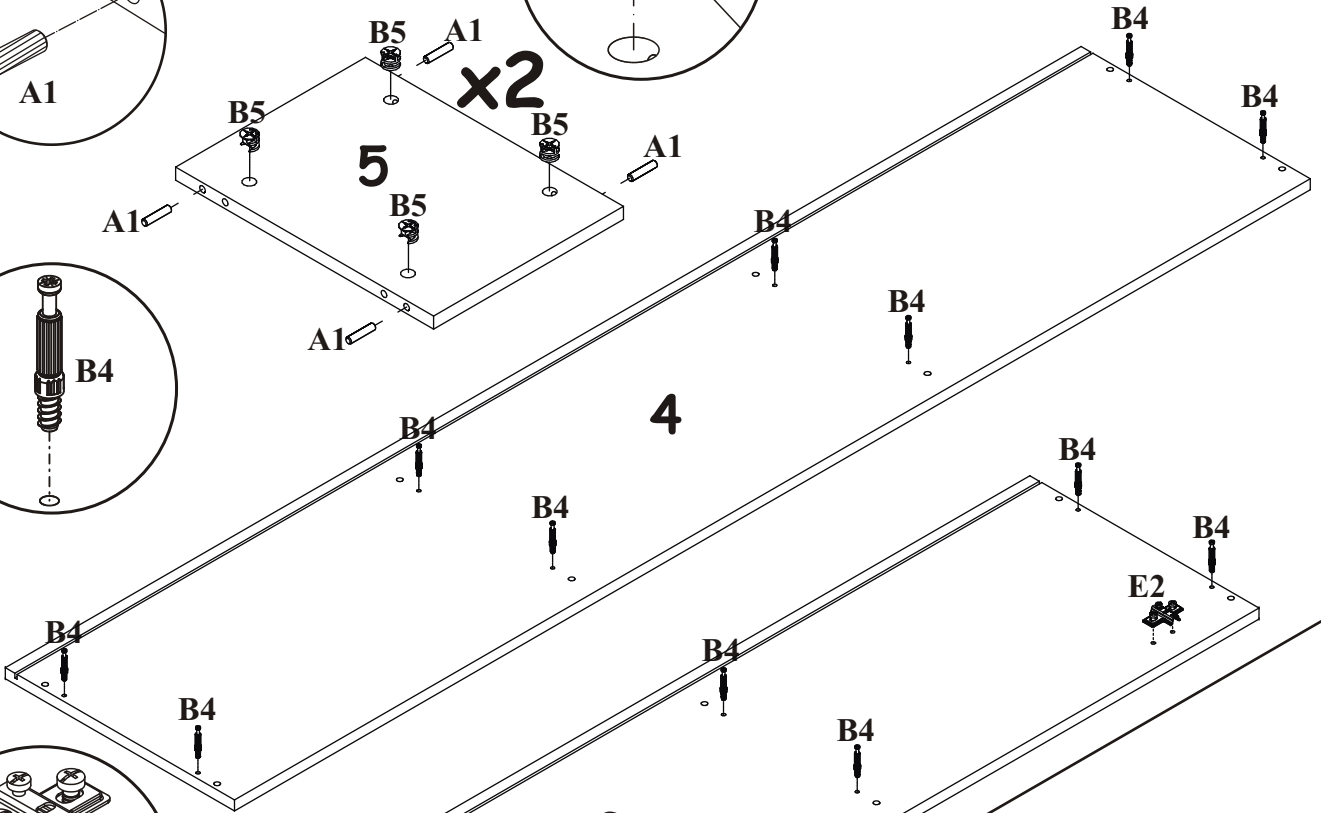
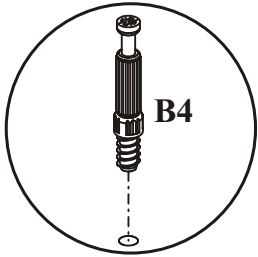
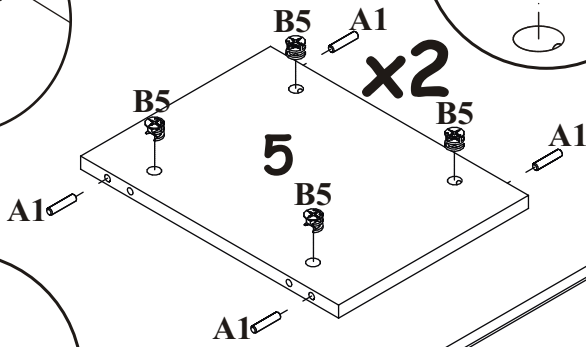
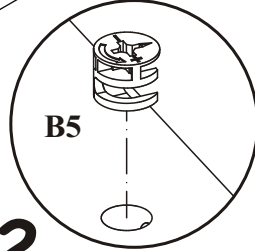
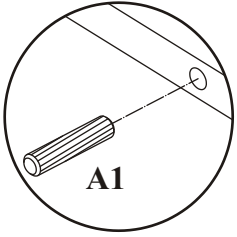
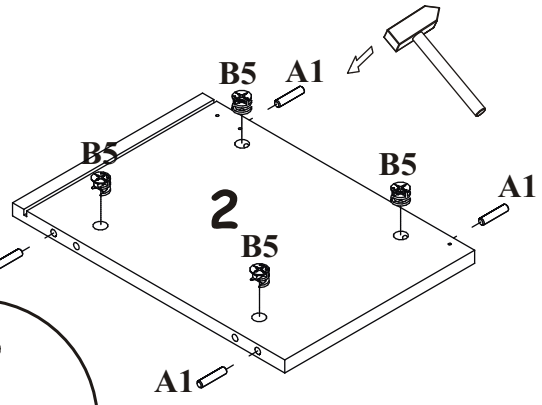
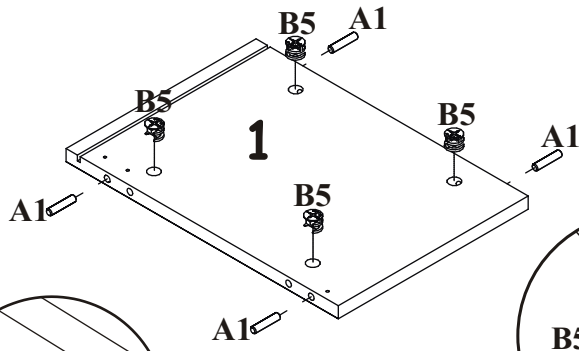
SWITCH RTV 1

A1 X16 ø8x36	B4 X16	G5 X16	B5 X16 ø15x12	ZR1 X4	D6 X8 USØ3,5x30
E1 X3 Ø26 H=0	E2 X3 H=0	D10 X12 USØ3,5x13	OD1 X1	S1 X12	BP1 X2
KR2 X4	G2 X1				

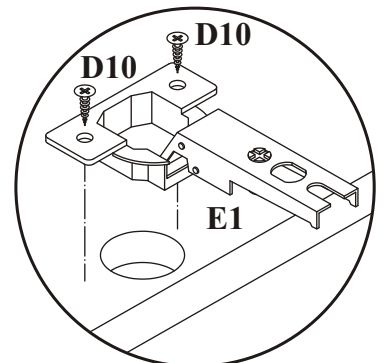
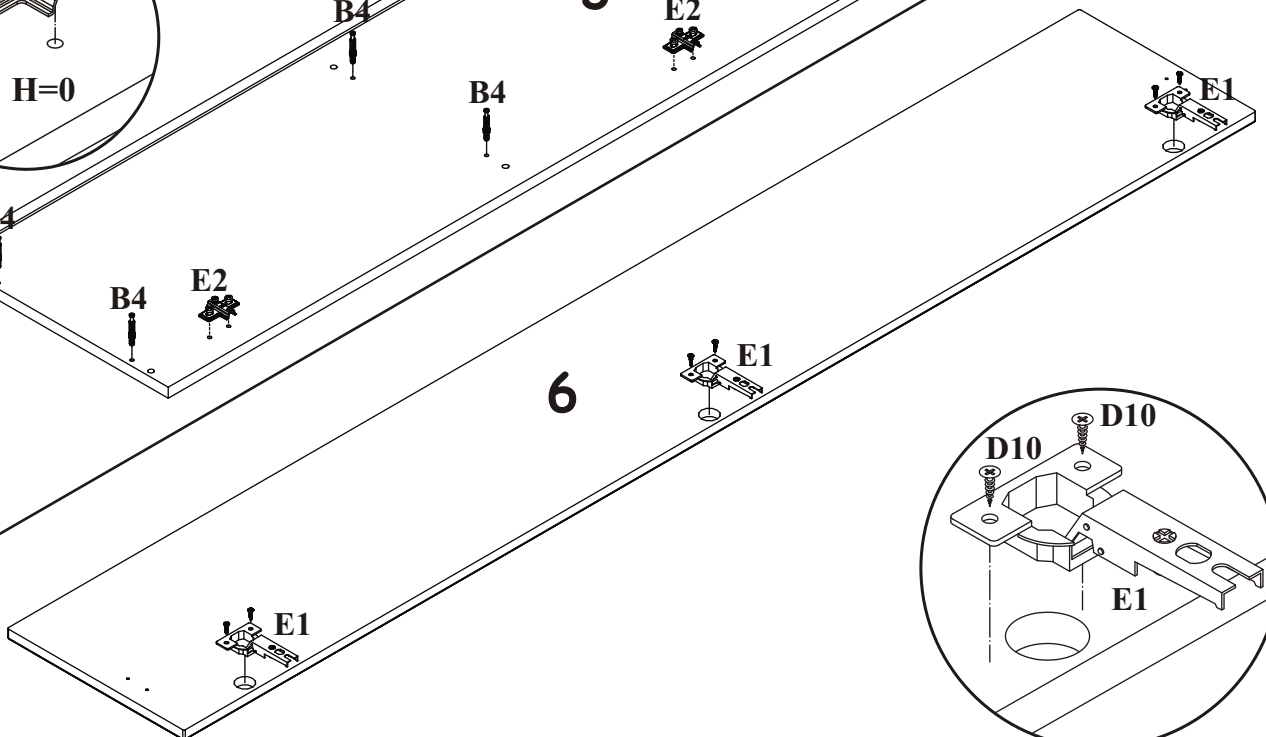


SWITCH RTV 1

1

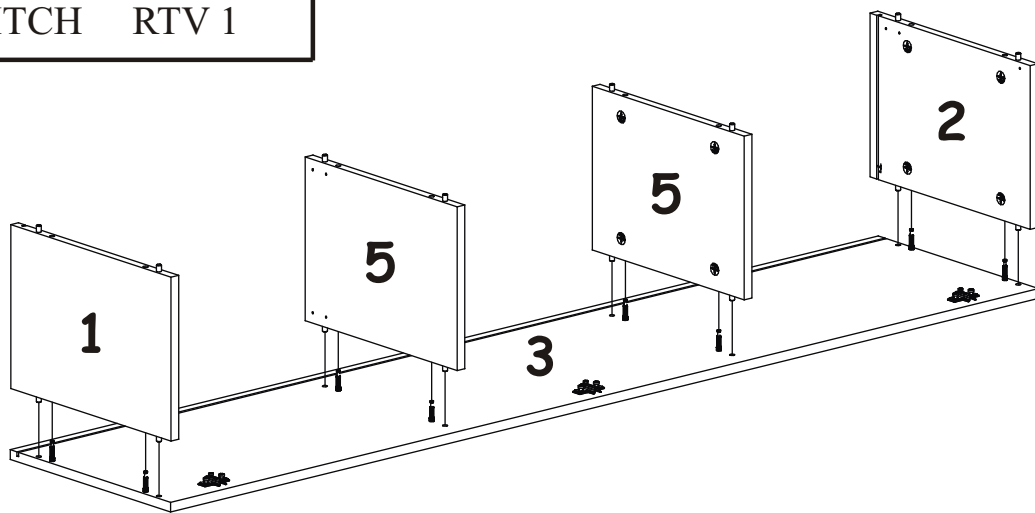


2

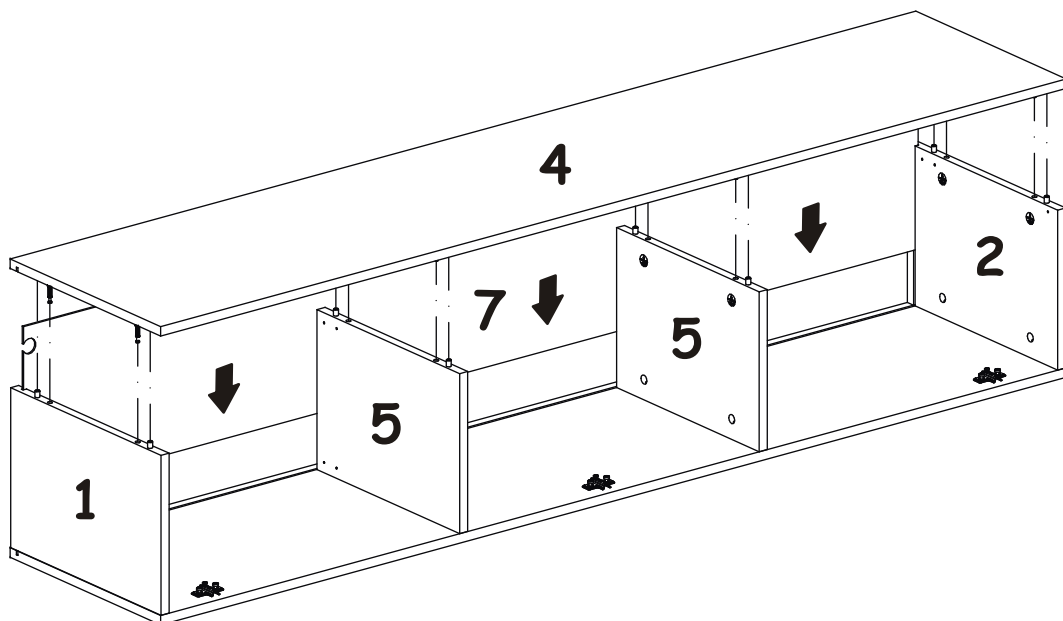


SWITCH RTV 1

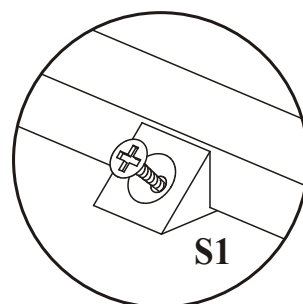
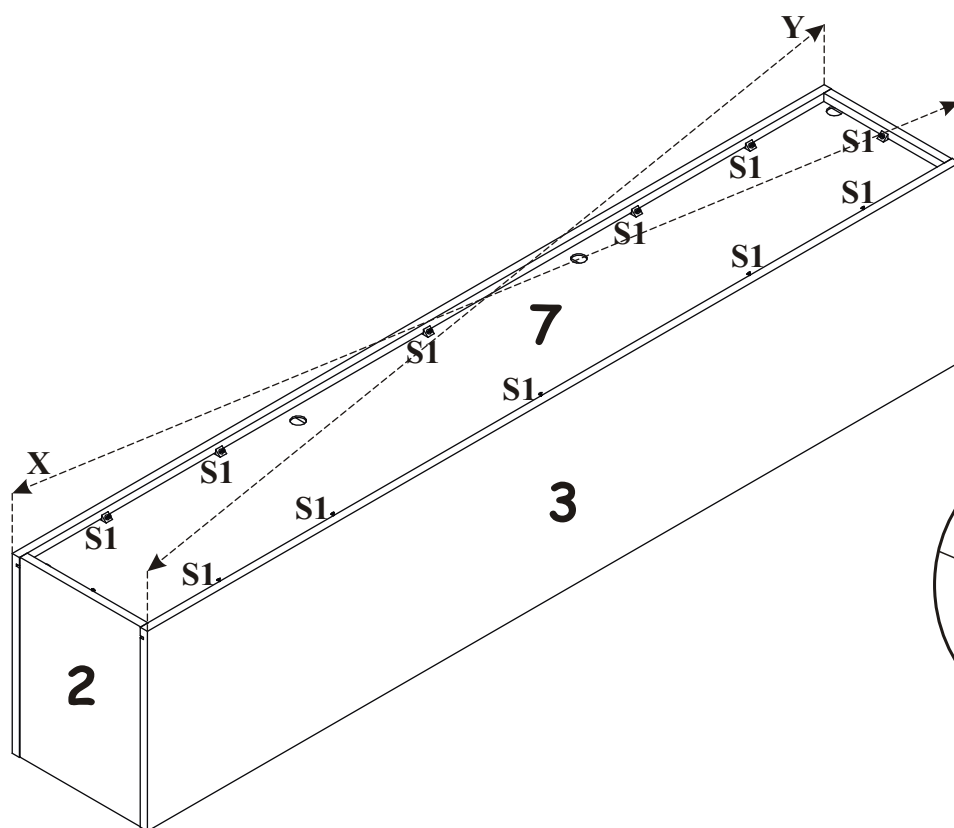
3



4

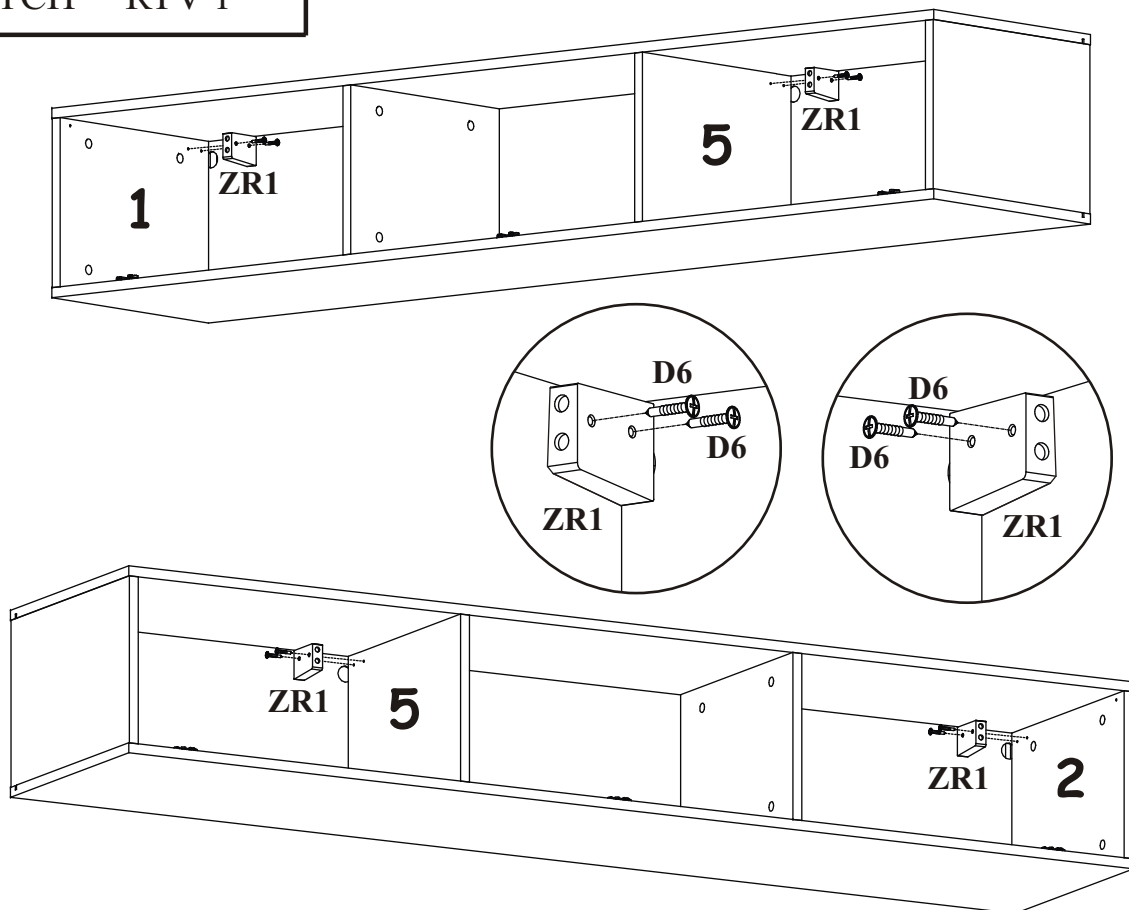


5

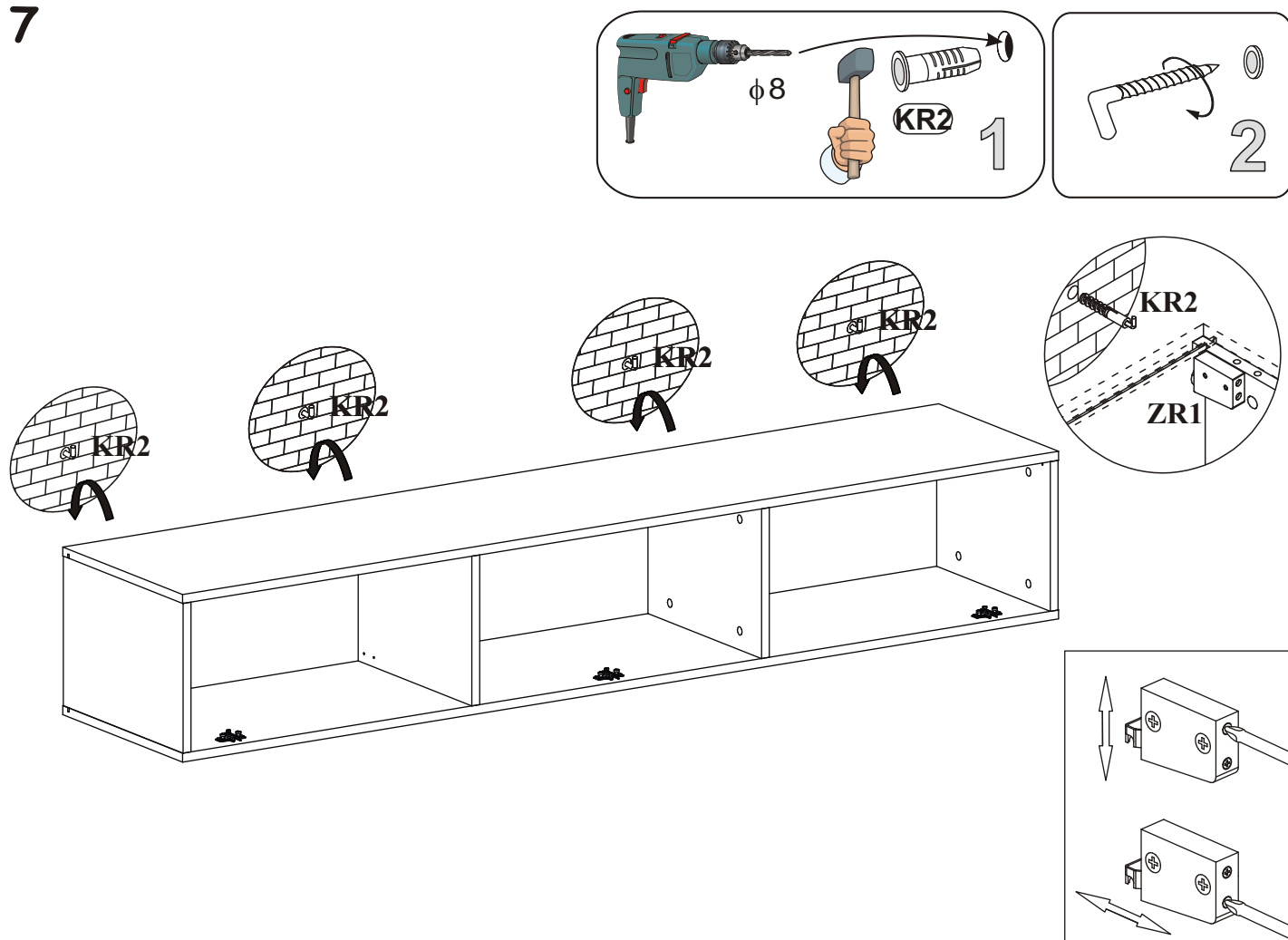


SWITCH RTV 1

6

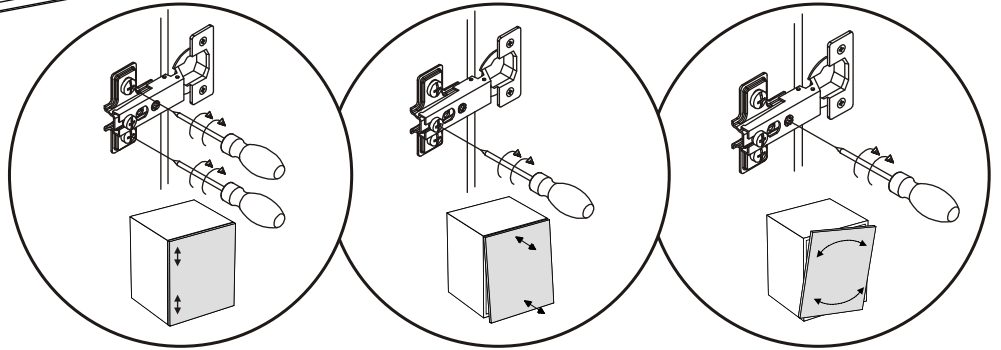
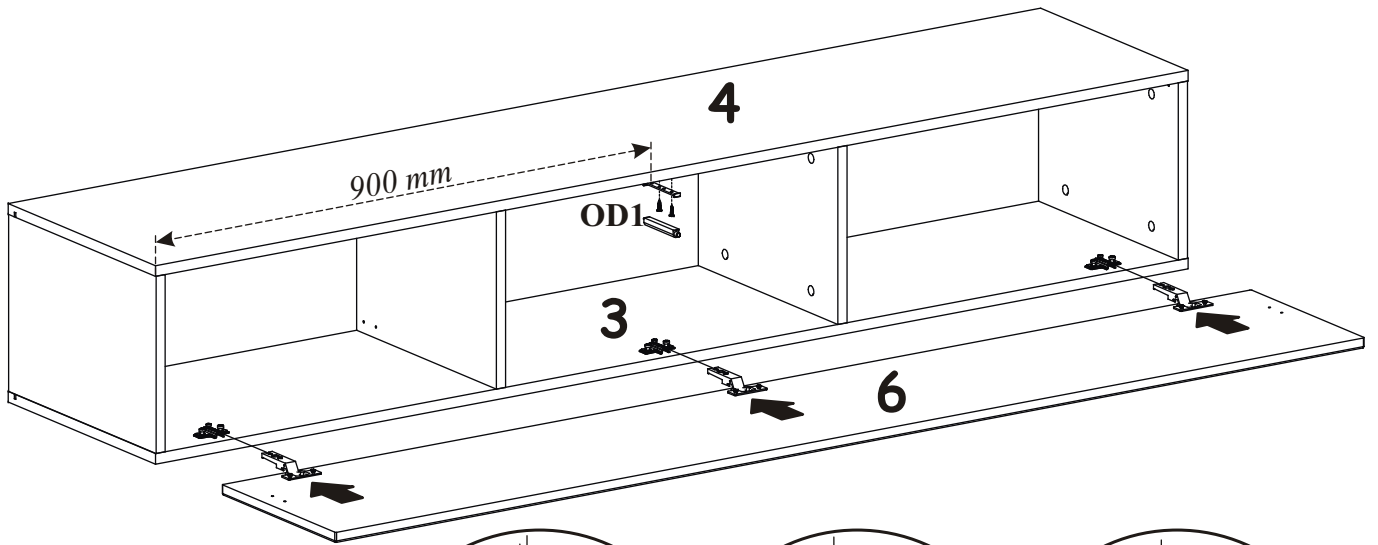
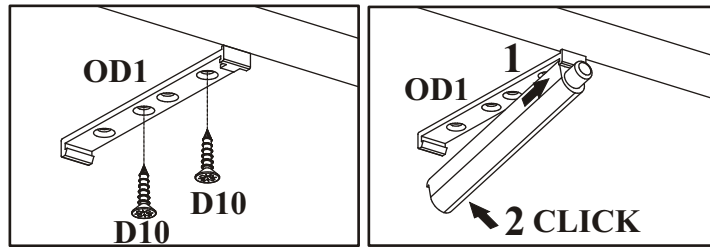


7

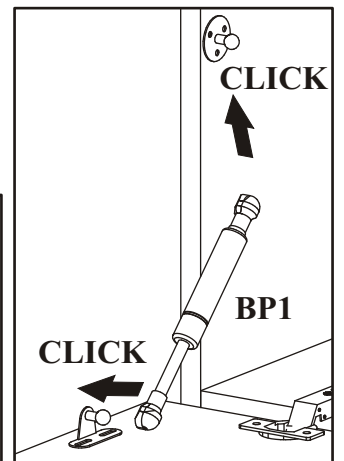
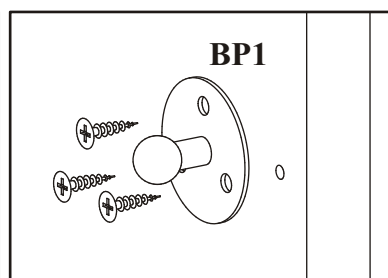
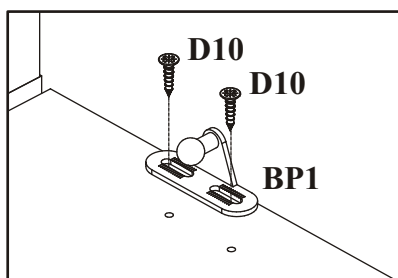
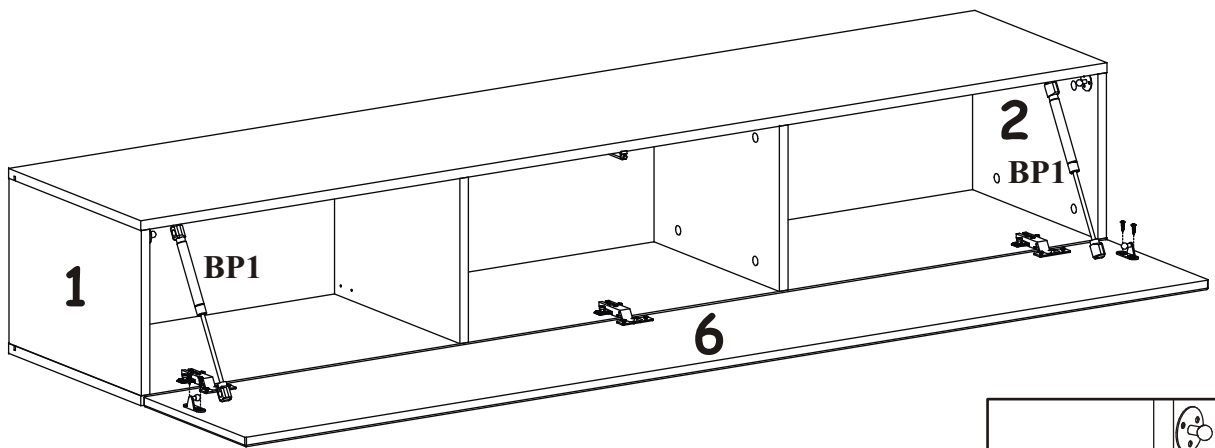


SWITCH RTV 1


8



9



SWITCH WTL RTV1

G1	
x3	Ø26

