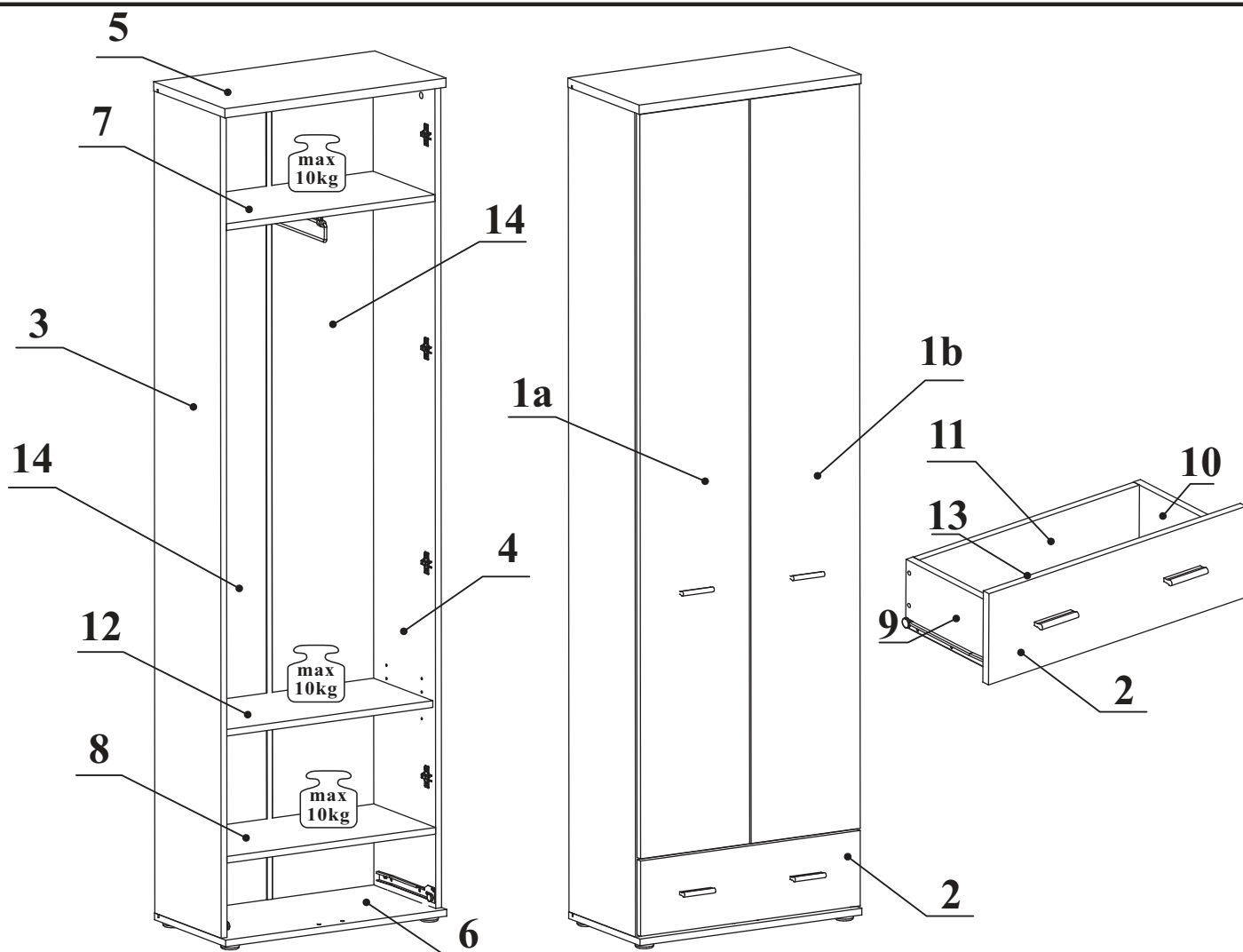
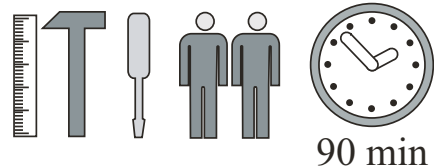
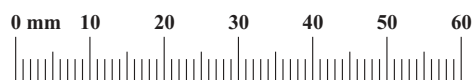


MARCO - TYP A

MC -A



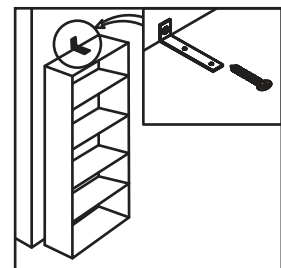
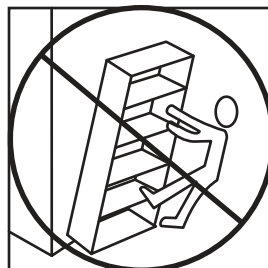
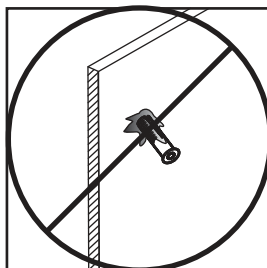
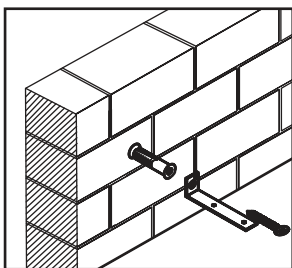
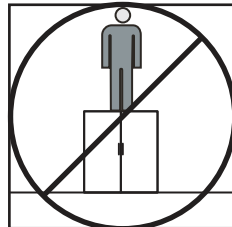
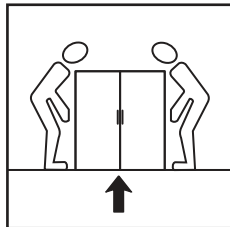
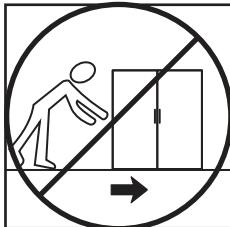
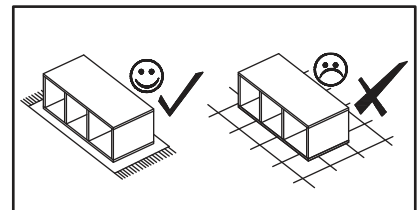
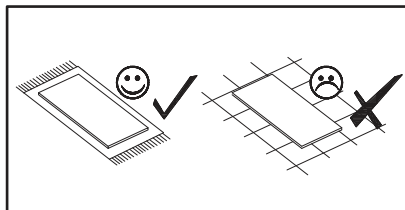
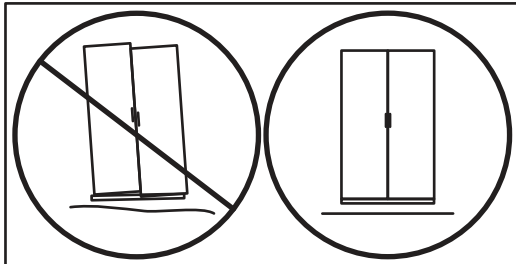
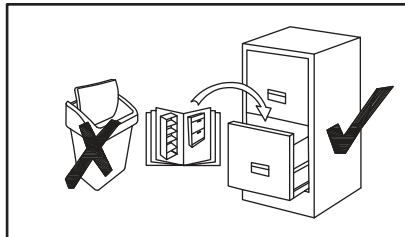
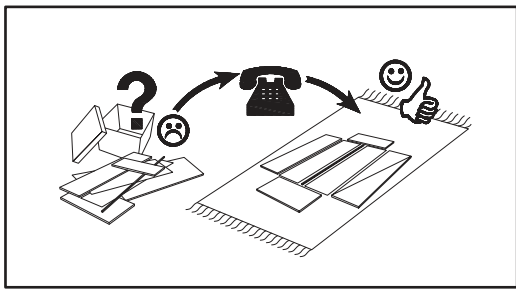
NO	Dim (mm)			Col.-No	Qty
1	1778	296	16	1/6	2
2	596	180	16	1/6	1
3	1970	300	16	1/6	1
4	1970	300	16	1/6	1
5	602	322	22	1/6	1
6	602	322	22	1/6	1
7	568	280	16	1/6	1
8	568	280	16	1/6	1
9	250	132	16	1/6	1
10	250	132	16	1/6	1
11	511	112	16	1/6	1
12	568	268	16	1/6	1
13	523	253	3	1/6	1
14	1981	288	3	1/6	2



MARCO - TYP A

MC - A

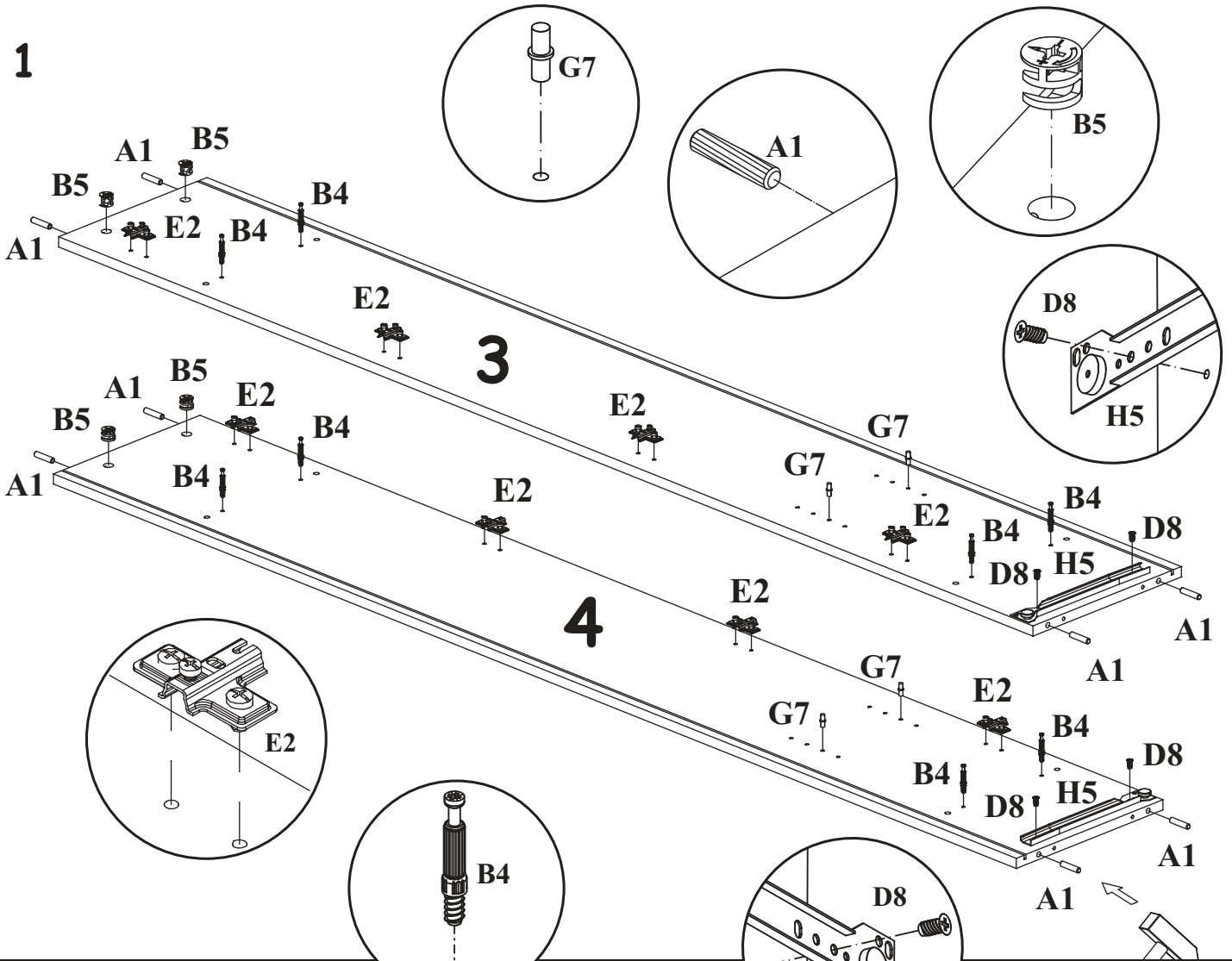
A1 X20 ø8x36	B11 X8 Ø7x50	G4 X8	B4 X14	B5 X14 ø15x12	G5 X14
G7 X4	E1 X8 H=0	E2 X8 H=0	KL X4	UP6 X8 UPØ4x30	UP17 X4 UPØ3x16
Z2 X4 Ø5	KR1 X1	L1 X1	S1 X16	I11 X4	H5 X1
D10 X22 USØ3,5x13	D11 X4 USØ3,5x25	D8 X4 ESØ5x13	B3 X15 Ø1,4x25	C6 Ilość 1	G2 X1
G8 X1 L-1965mm					



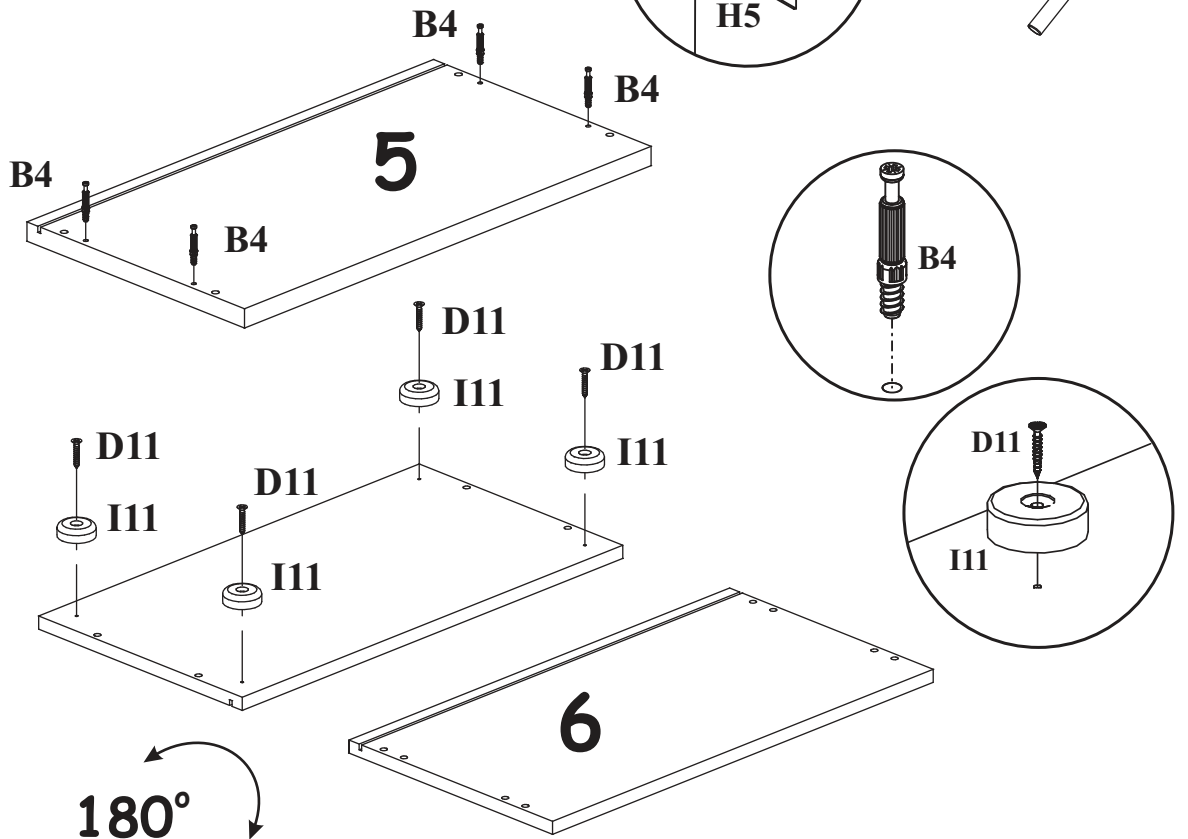
MARCO - TYP A

MC - A

1



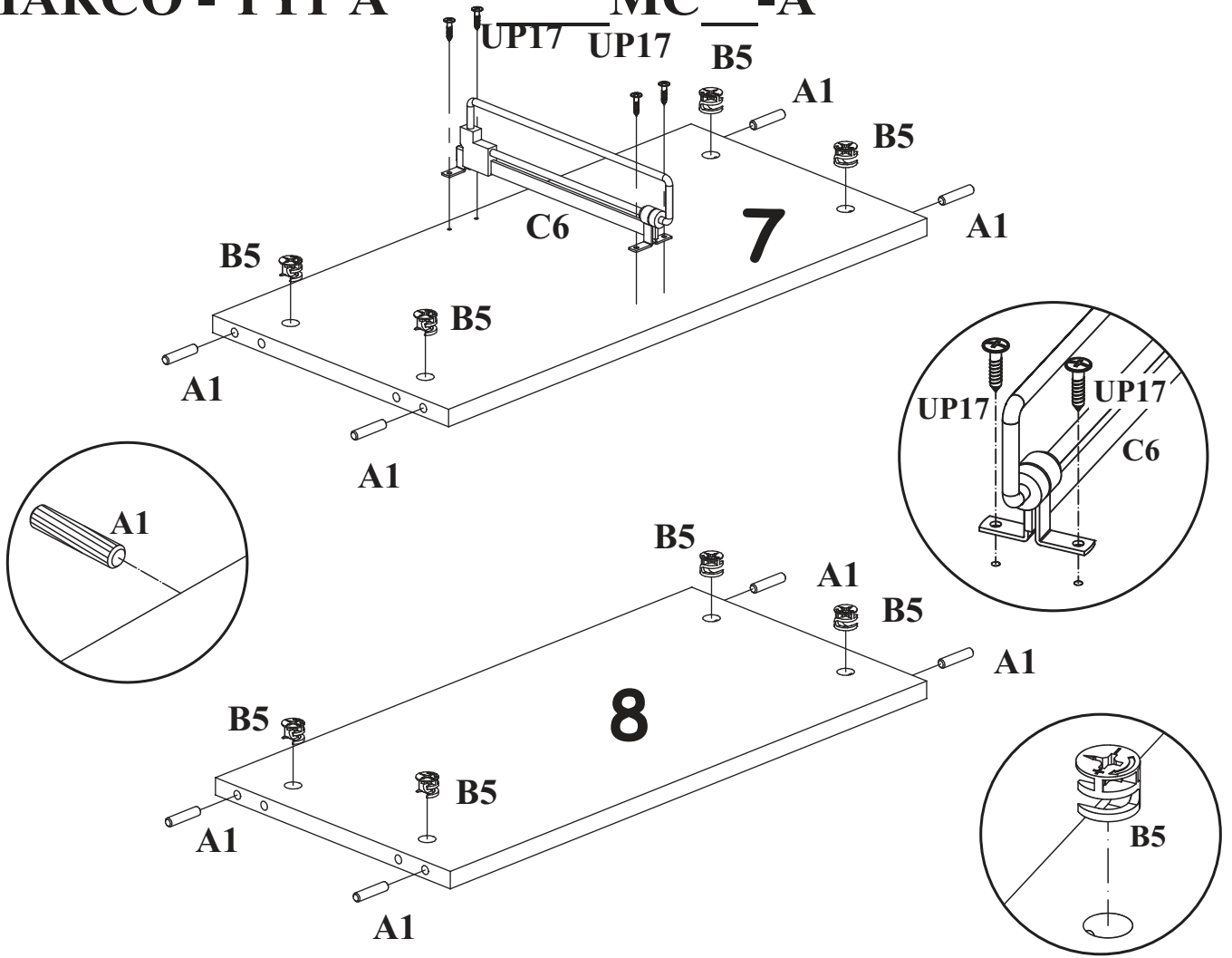
2



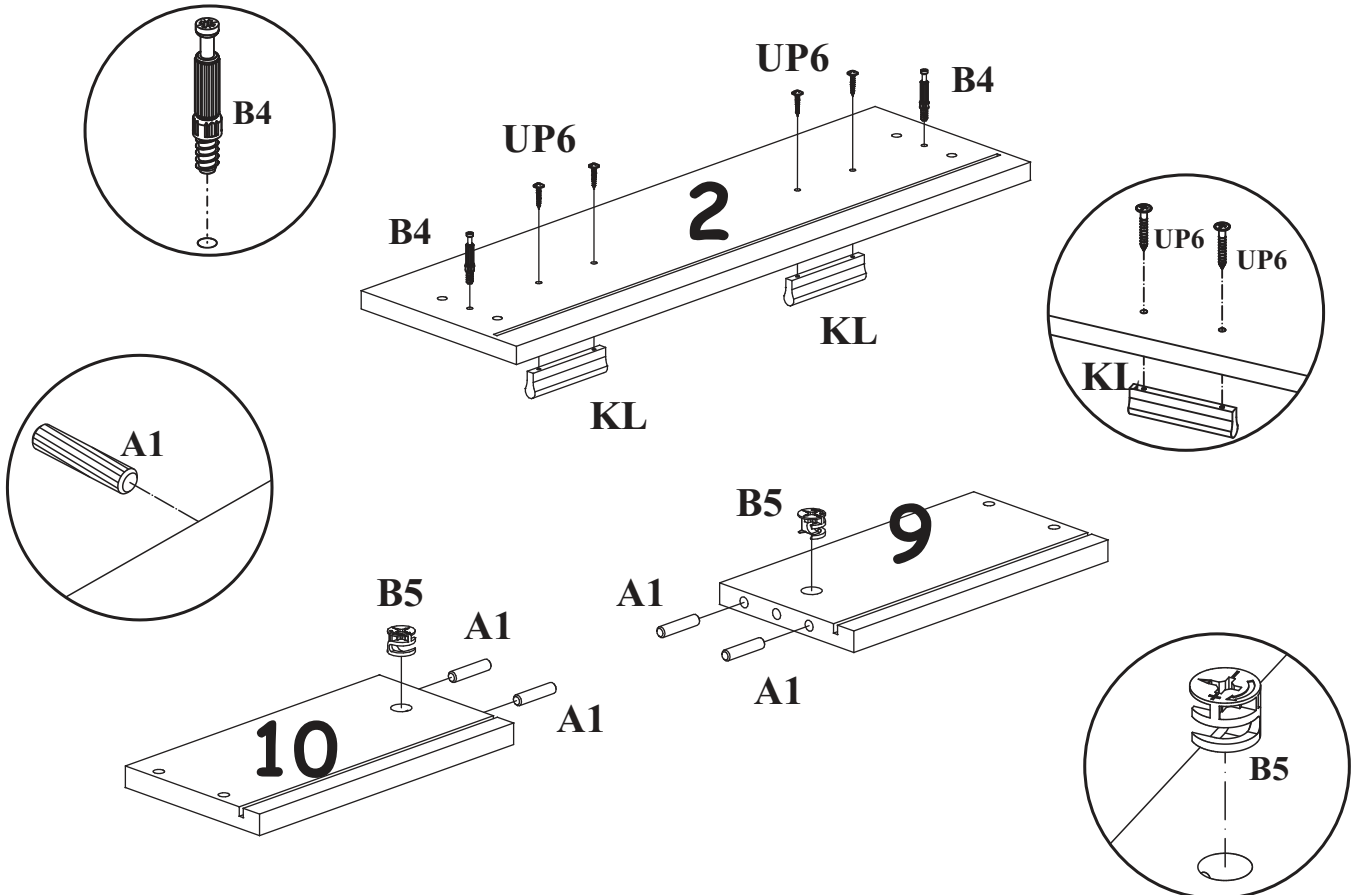
MARCO - TYP A

MC -A

3



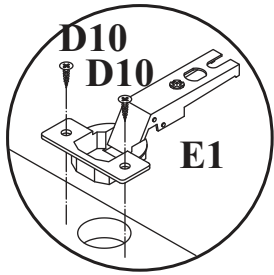
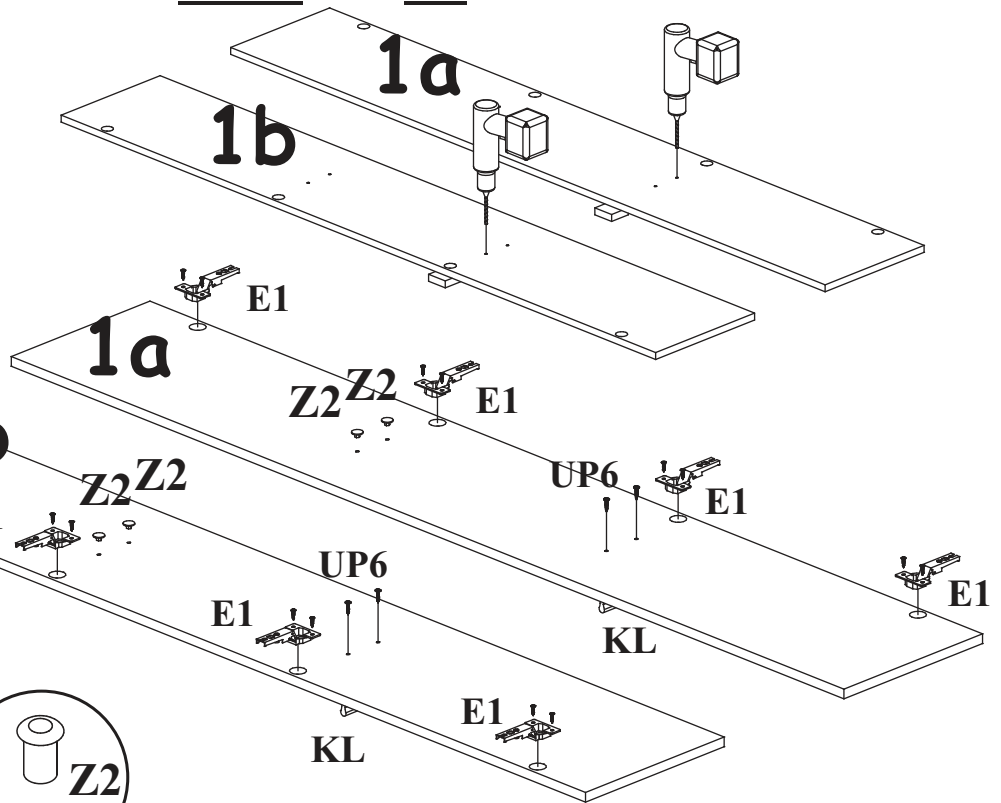
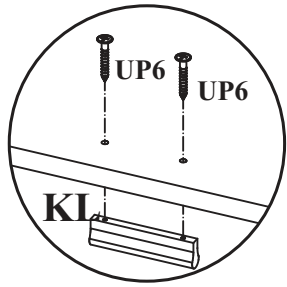
4



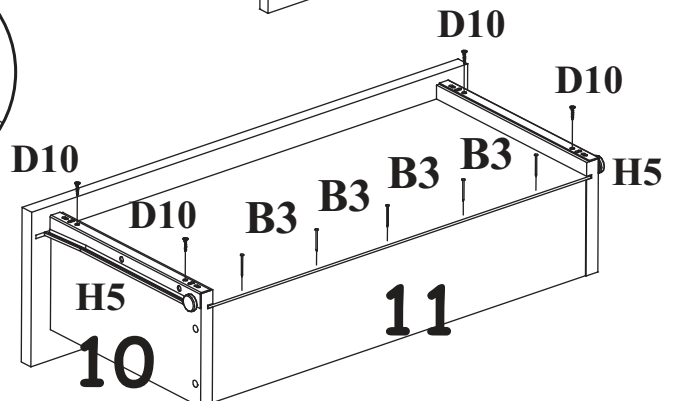
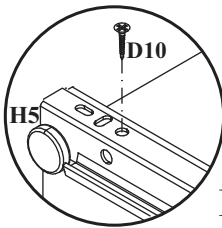
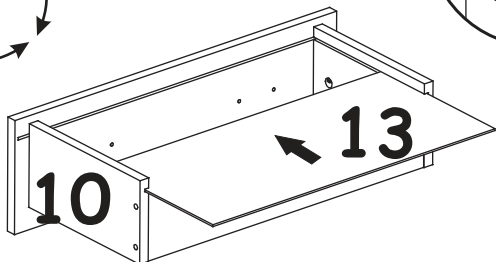
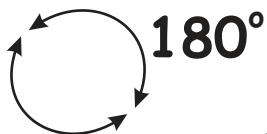
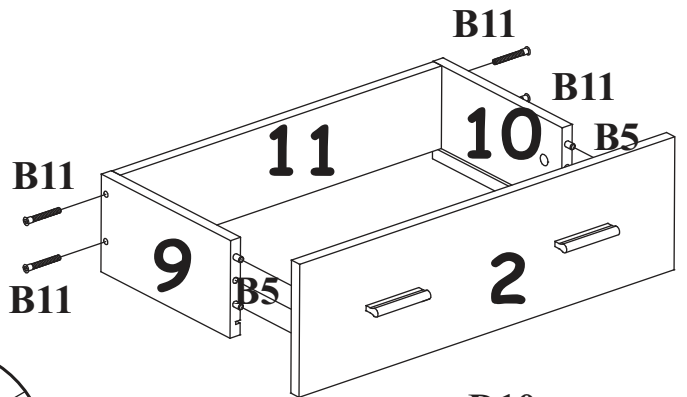
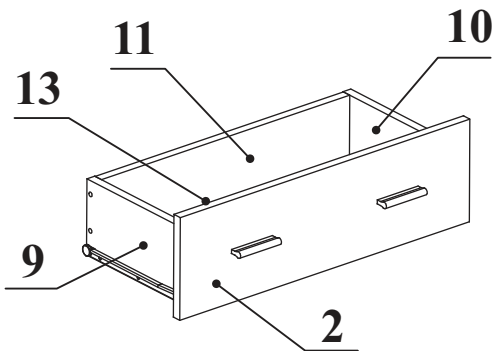
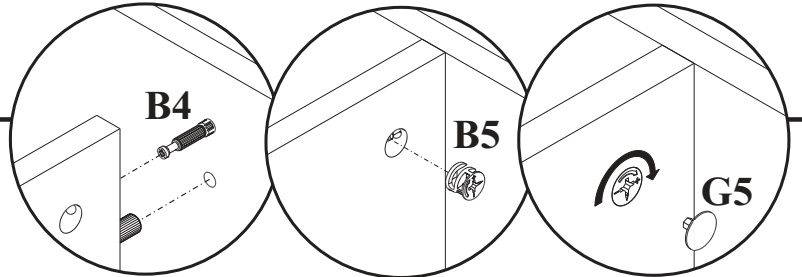
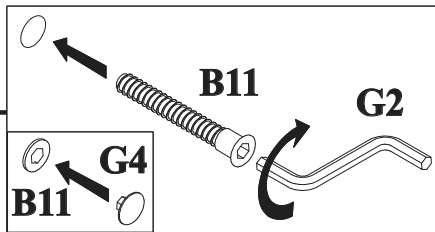
MARCO - TYP A

MC -A

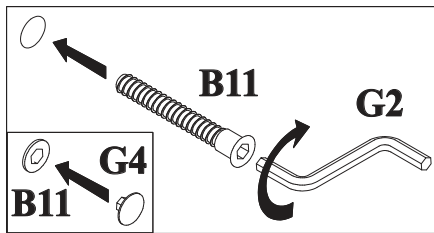
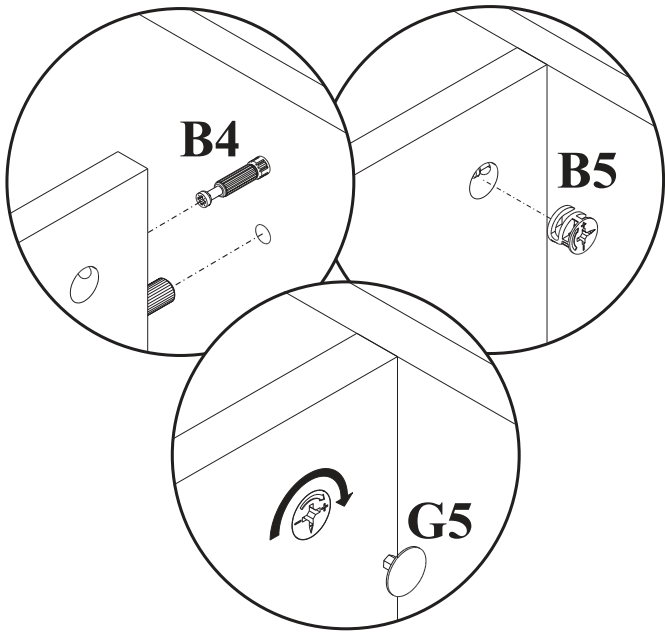
5



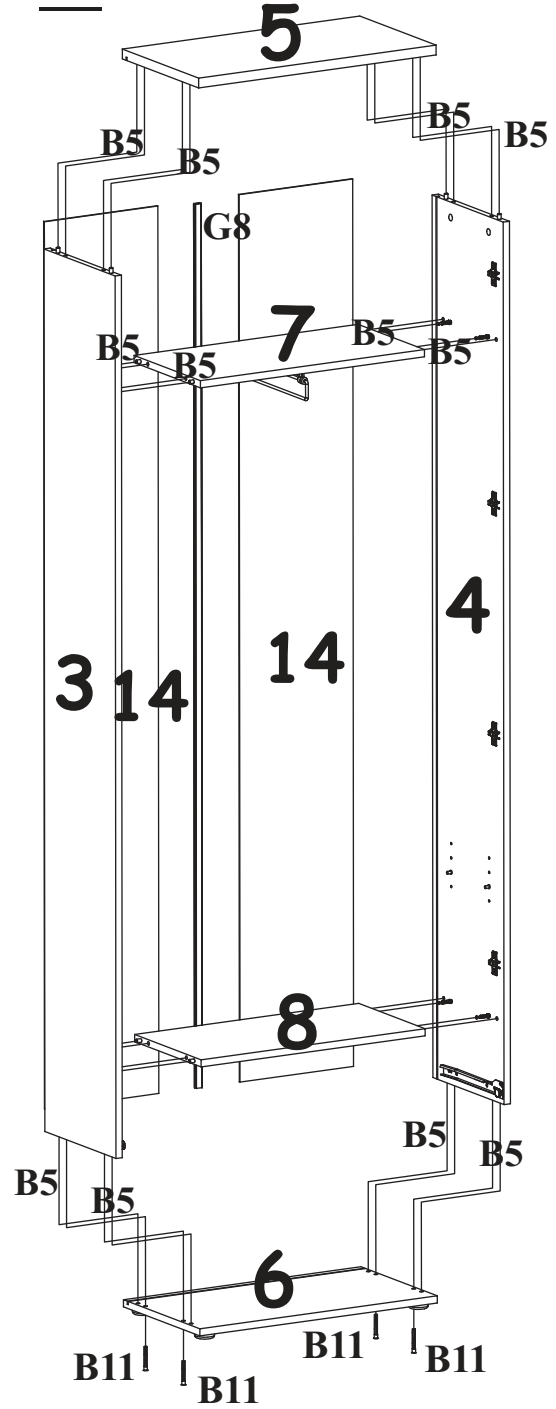
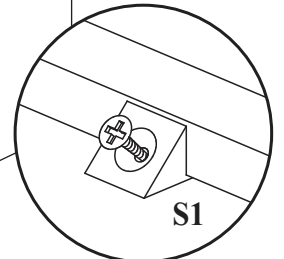
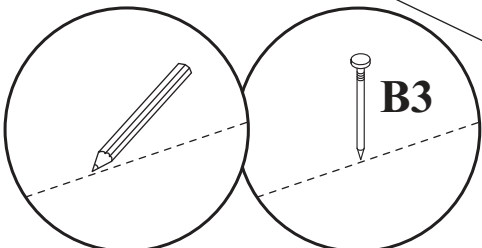
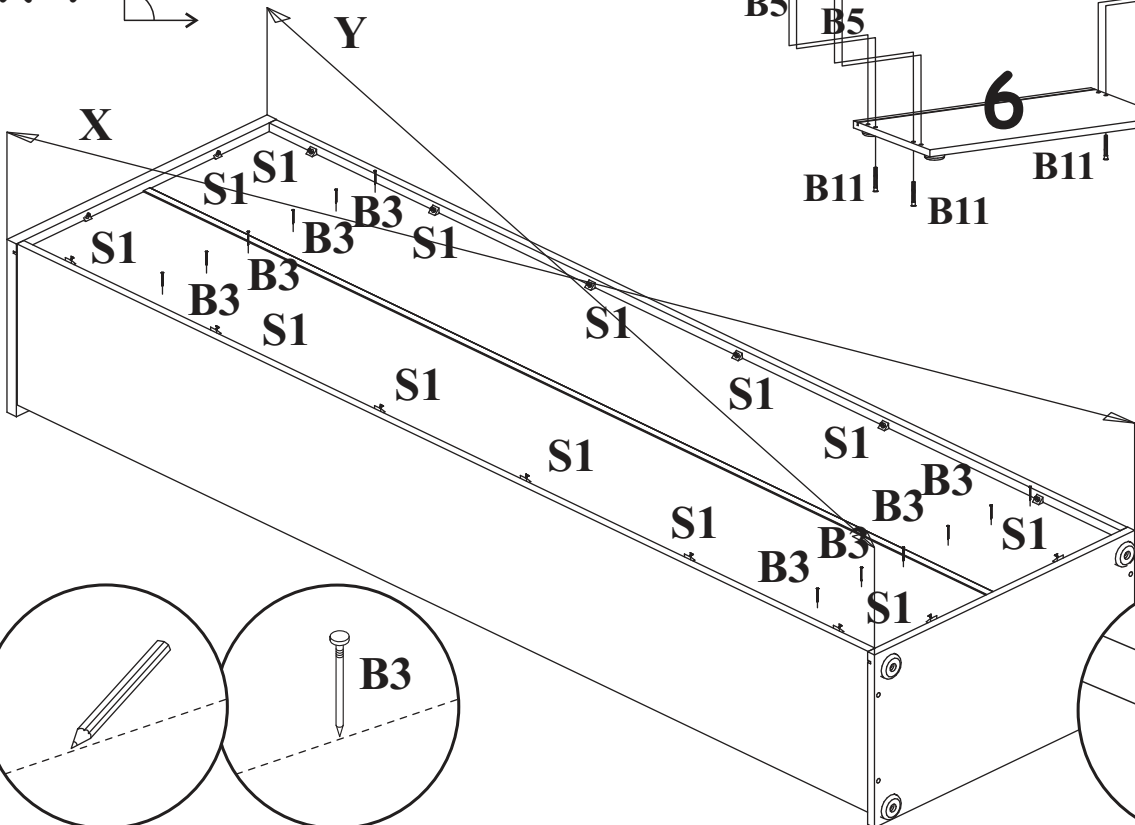
6



7



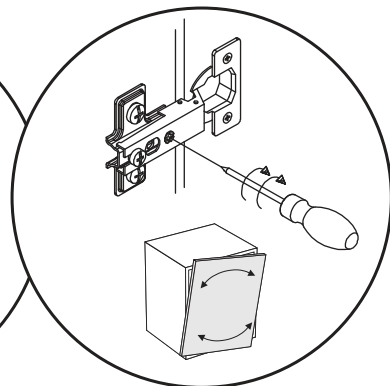
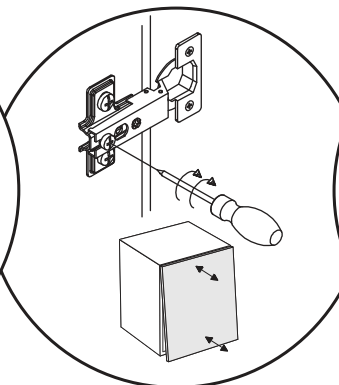
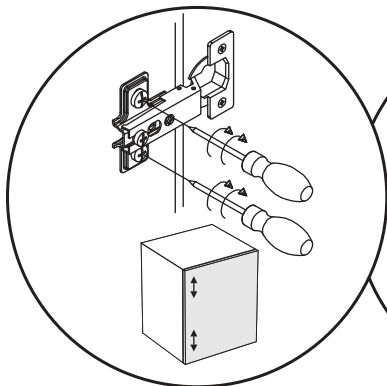
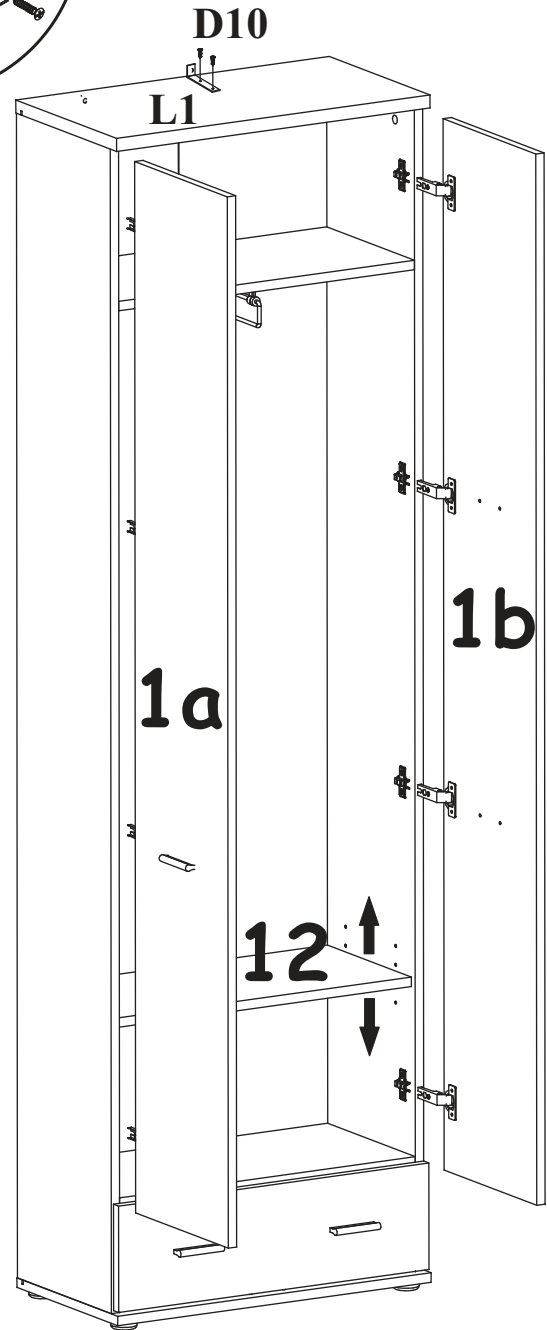
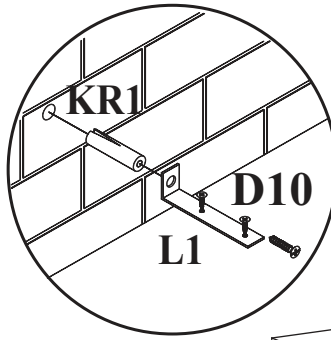
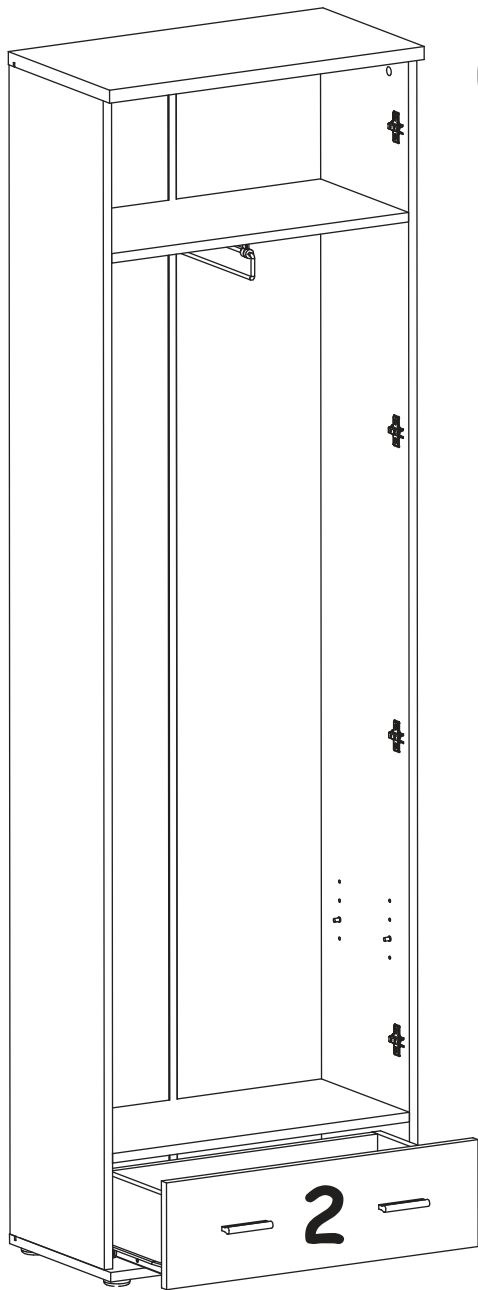
X=Y 90°



MARCO - TYP A

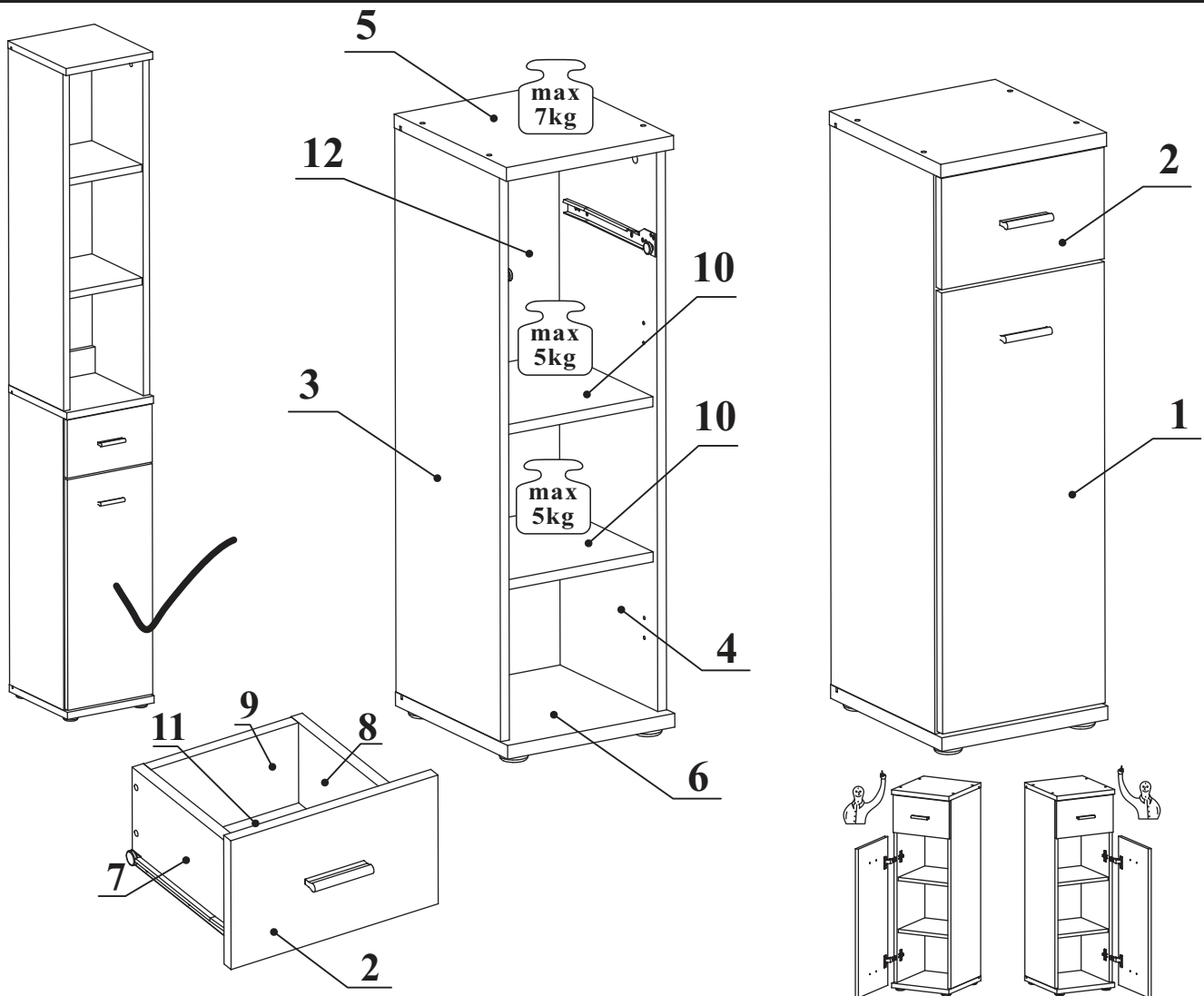
MC - A

8

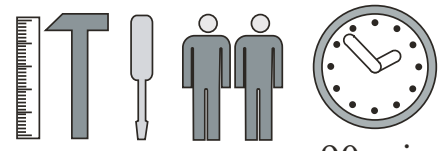
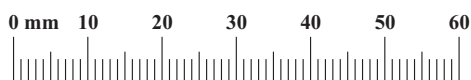


MARCO - TYP B

MC_-B



NO	Dim (mm)			Col.-No	Qty
1	714	296	16	2/6	1
2	296	180	16	2/6	1
3	905	300	16	2/6	1
4	905	300	16	2/6	1
5	302	322	22	2/6	1
6	302	322	22	2/6	1
7	250	132	16	2/6	1
8	250	132	16	2/6	1
9	211	112	16	2/6	1
10	268	268	16	2/6	2
11	223	253	3	2/6	1
12	916	279	3	2/6	1

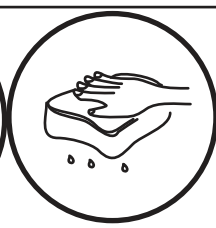
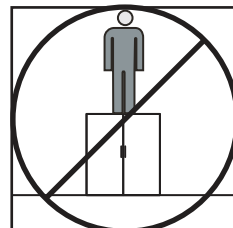
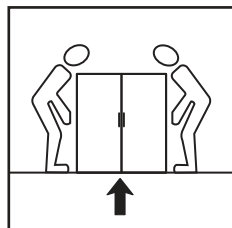
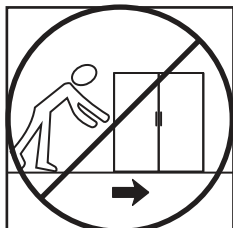
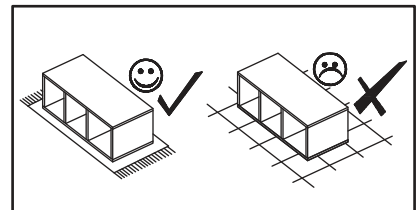
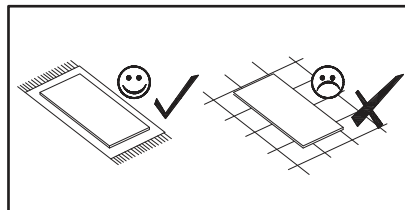
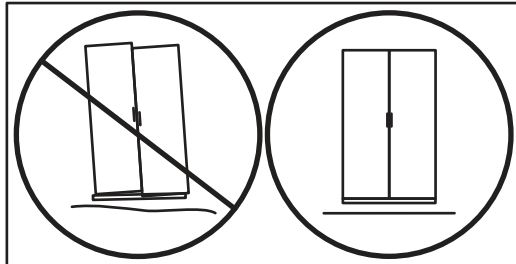
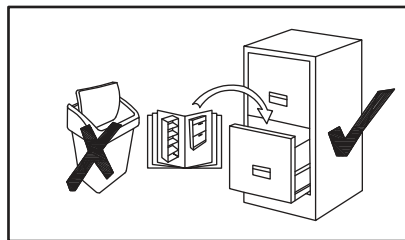
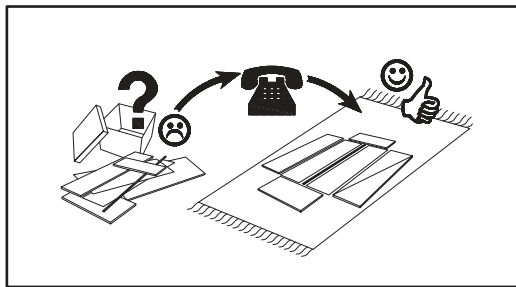


90 min

MARCO - TYP B

___MC___-B

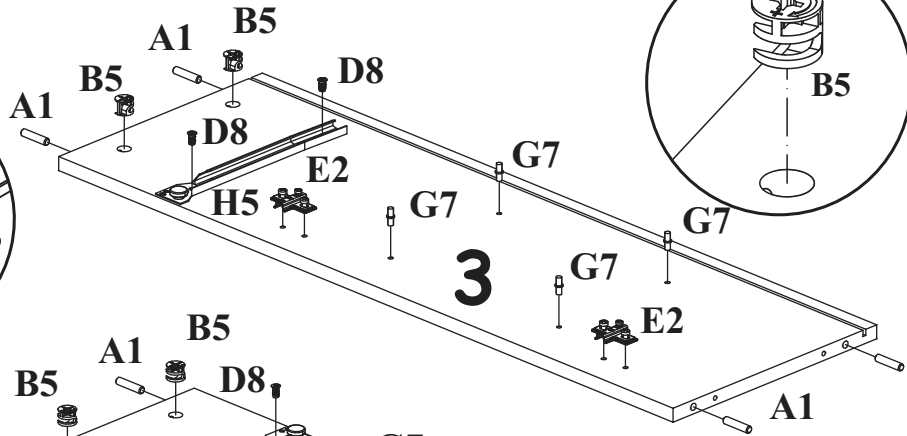
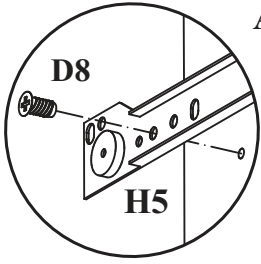
A1 X12 ø8x36	B4 X6	G7 X8	B11 X8 Ø7x50	G4 X8	KL X2	G5 X6	B5 X6 ø15x12
Z2 X2 Ø5	E1 X2 H=0	E2 X2 H=0	S1 X8	UP6 X4 UPØ4x30	H5 X1	D10 X8 USØ3,5x13	D11 X4 USØ3,5x25
D8 X4 ESØ5x13	B3 X5 Ø1,4x25	I11 X4	G2 X1				



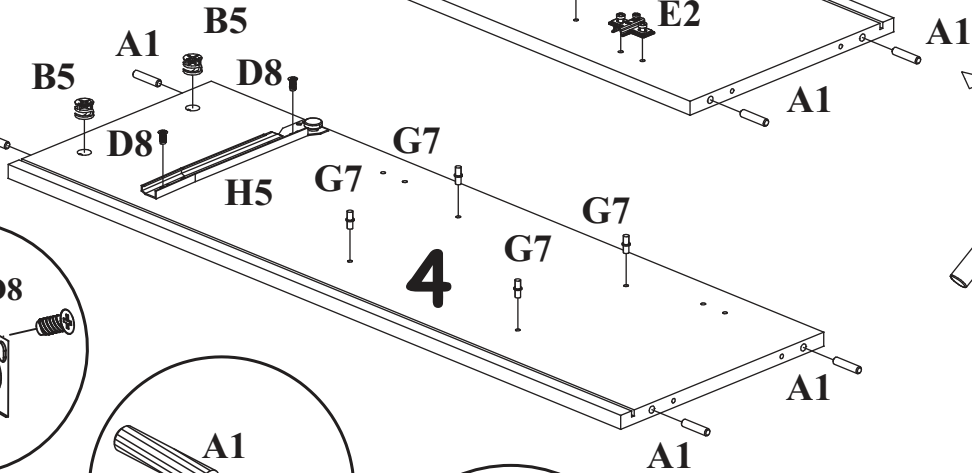
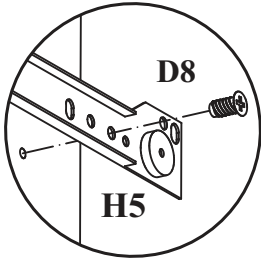
MARCO - TYP B

MC -B

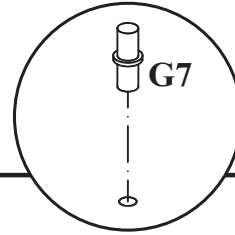
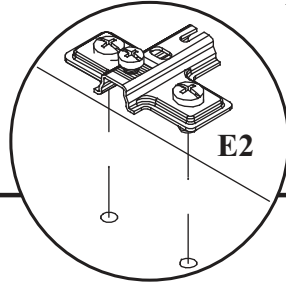
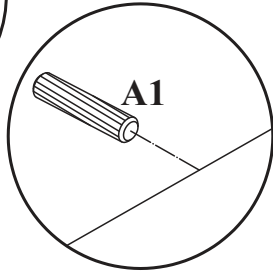
1



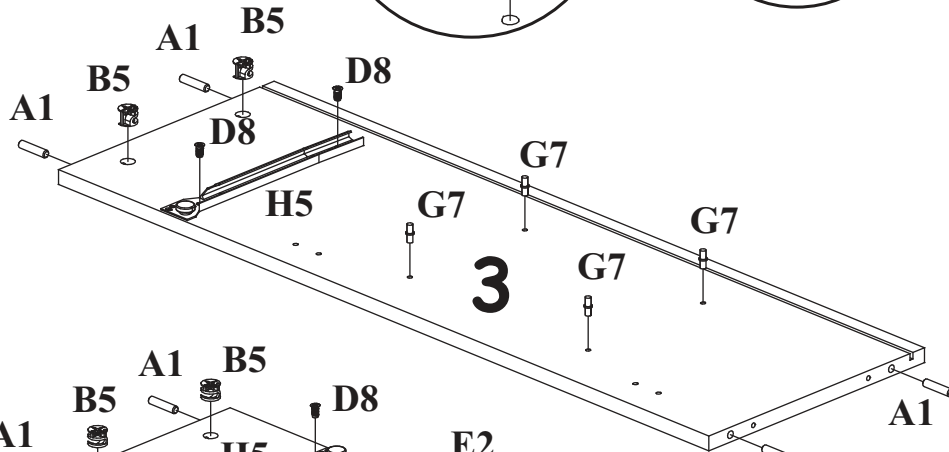
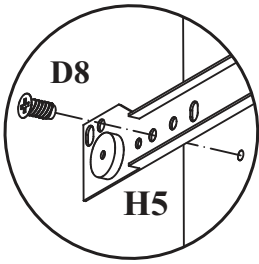
3



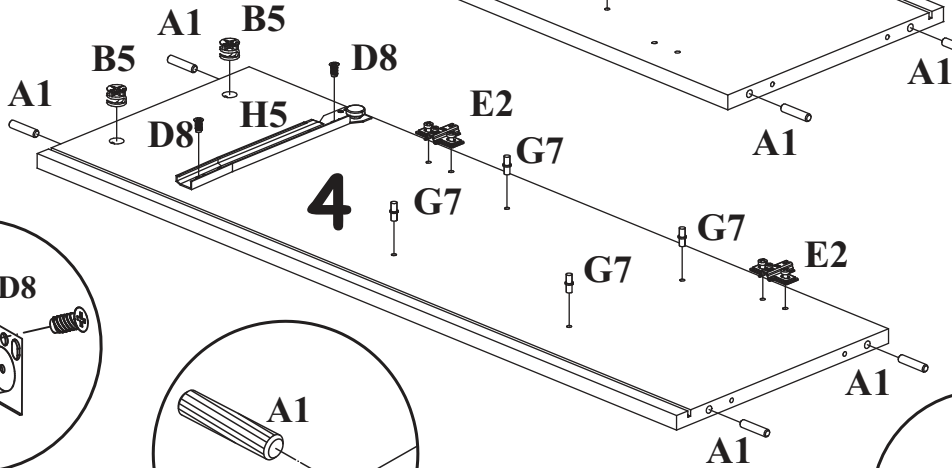
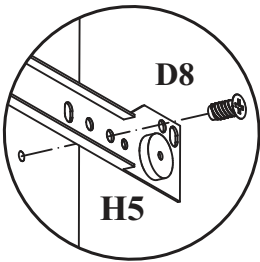
4



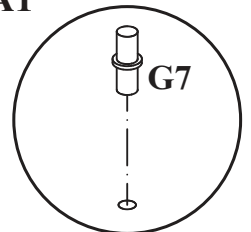
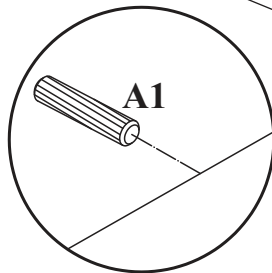
1



3



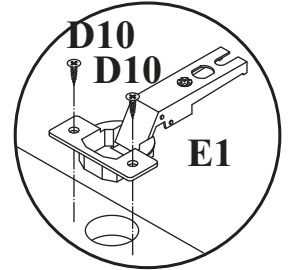
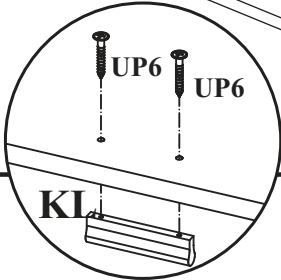
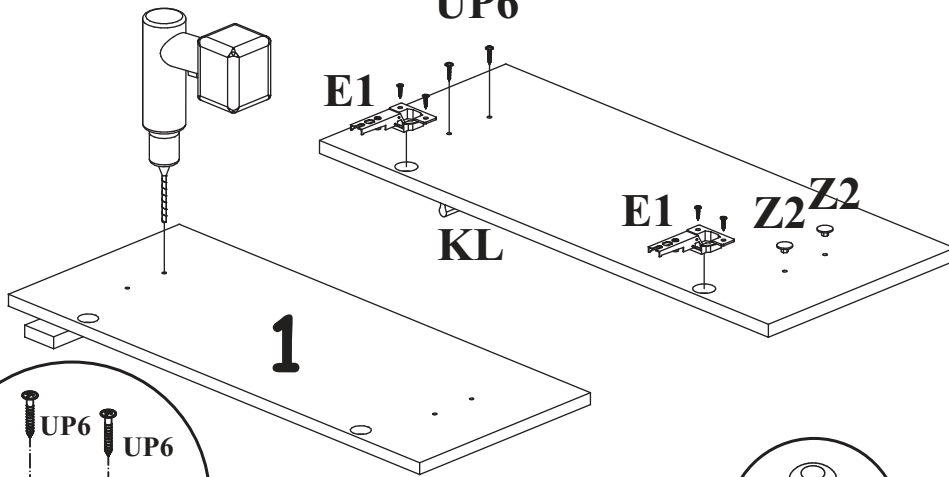
4



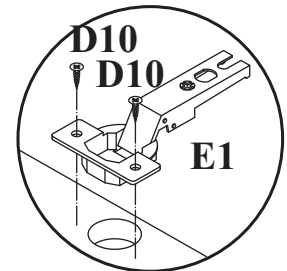
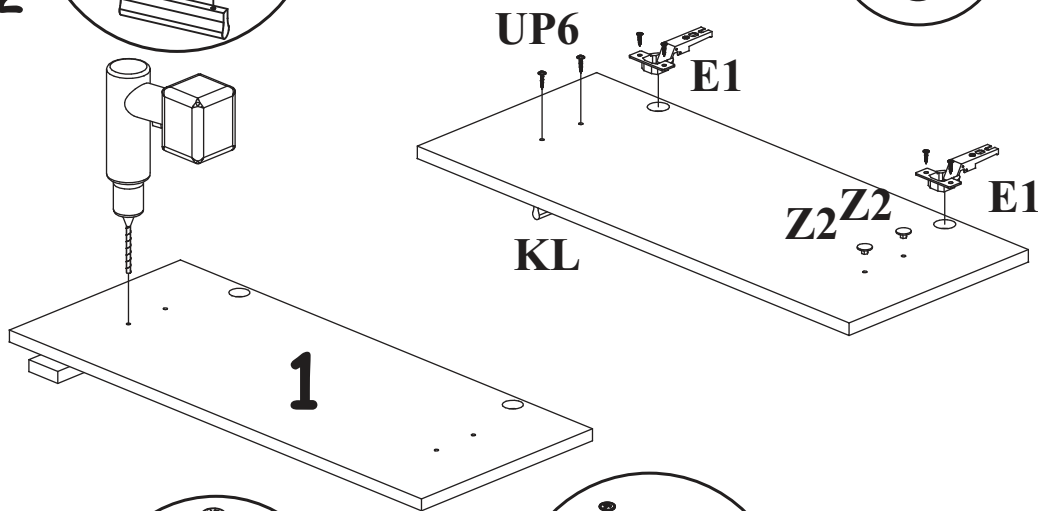
MARCO - TYP B

MC __-B

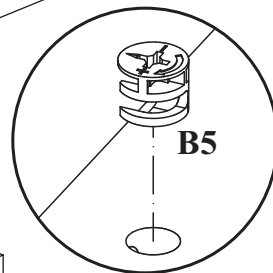
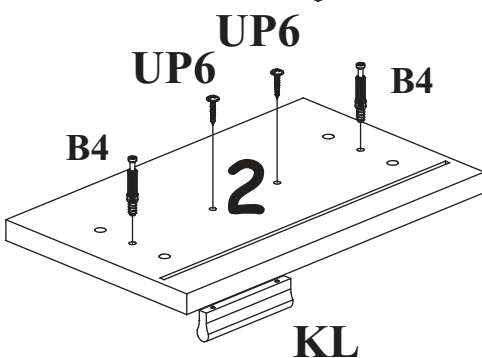
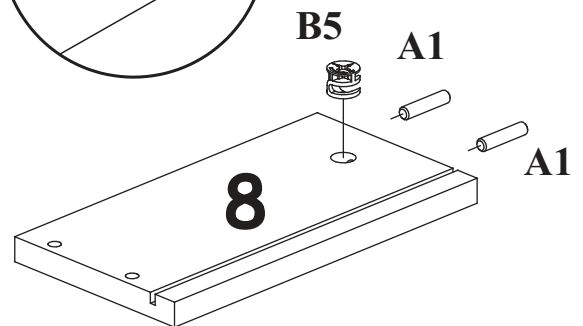
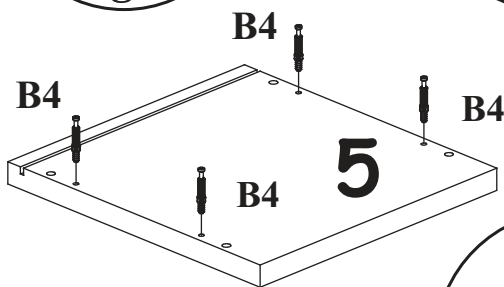
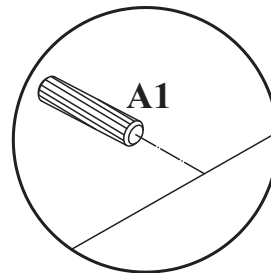
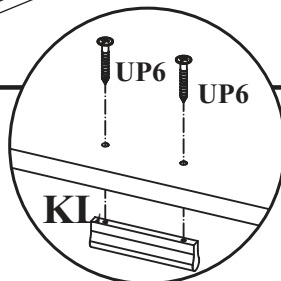
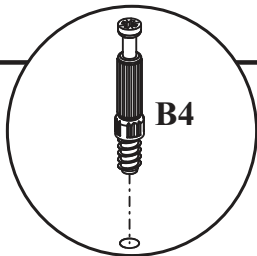
2



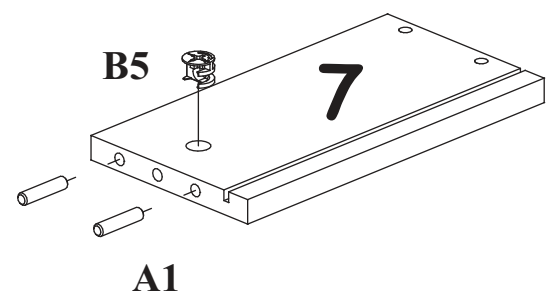
2



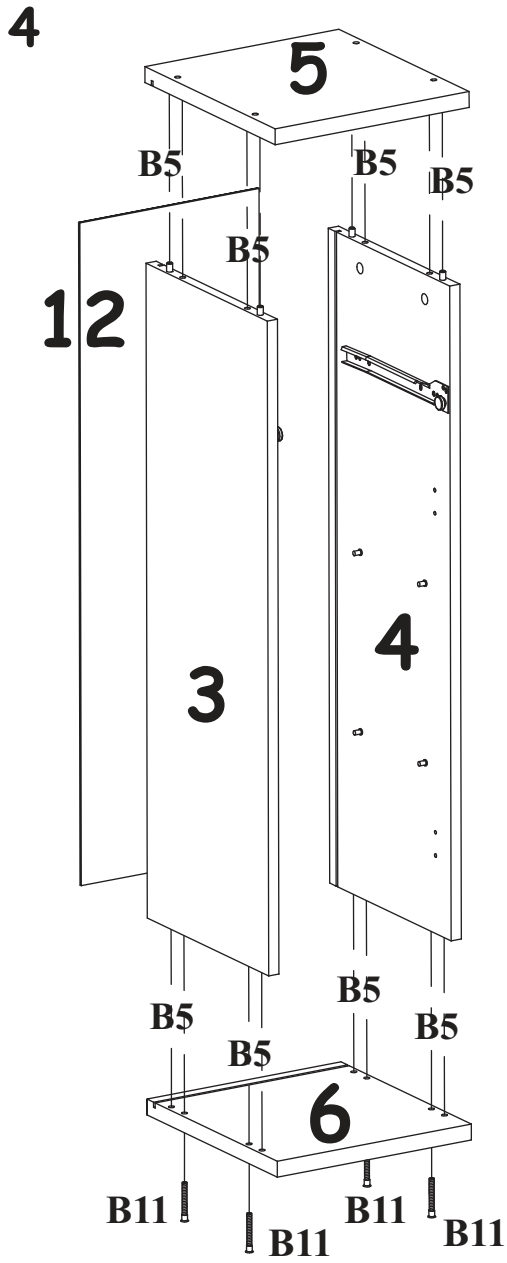
3



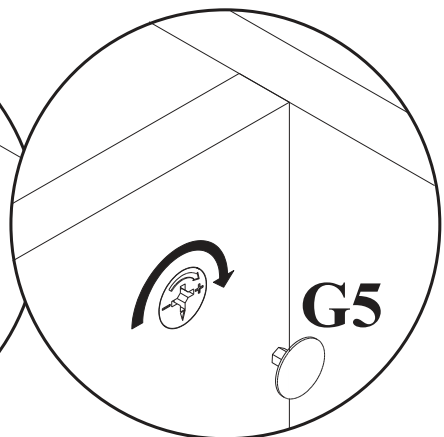
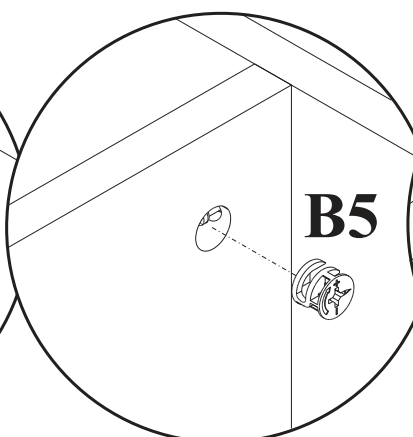
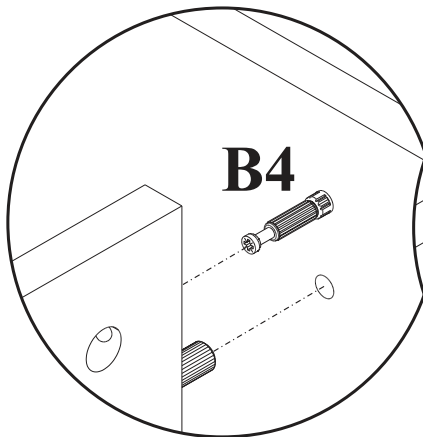
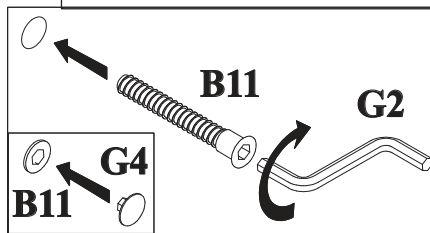
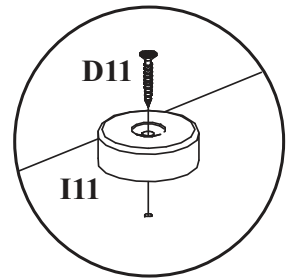
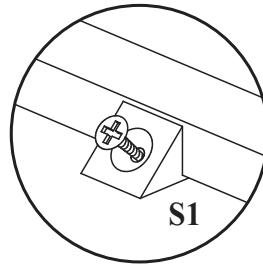
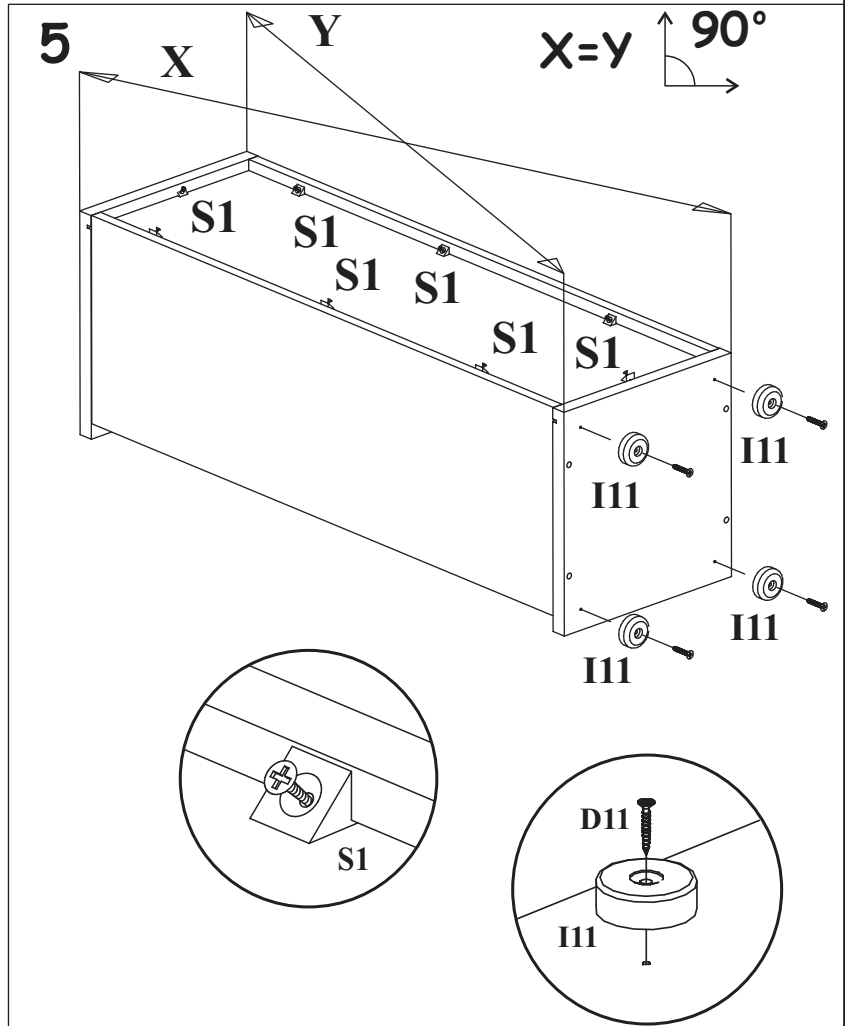
A1



MARCO - TYP B

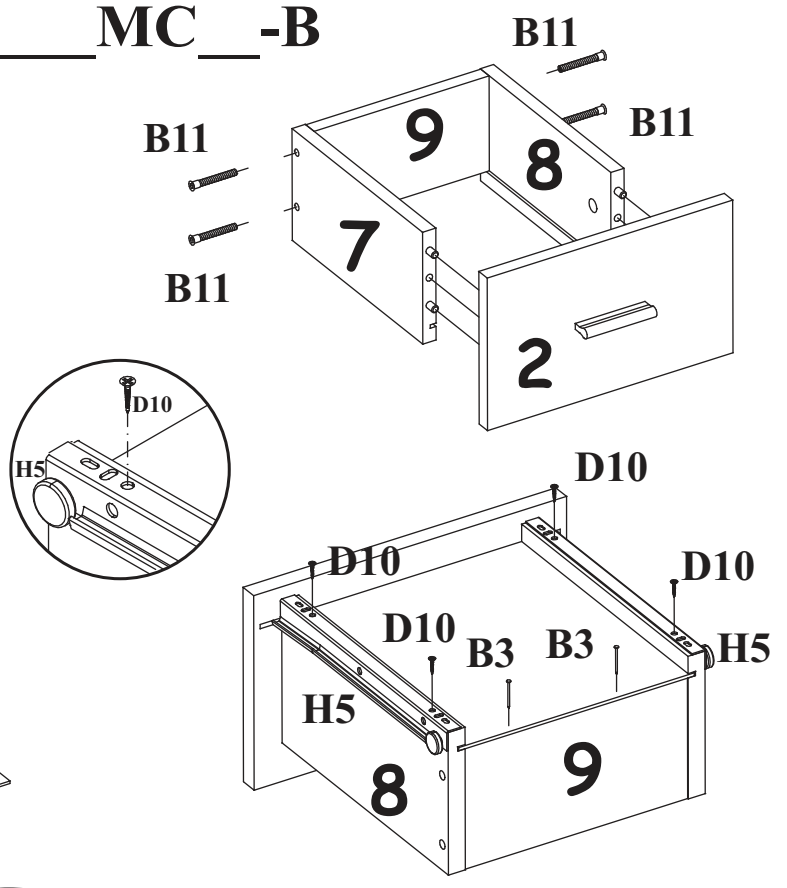
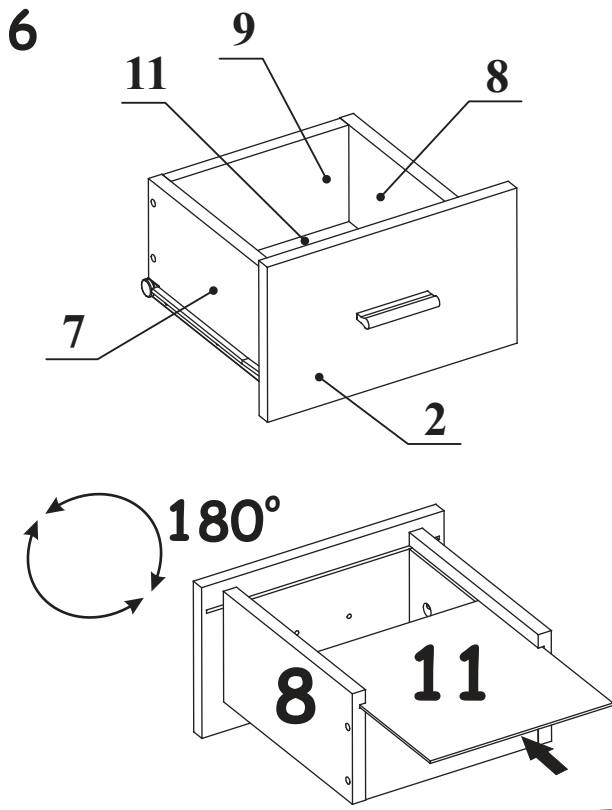


MC -B

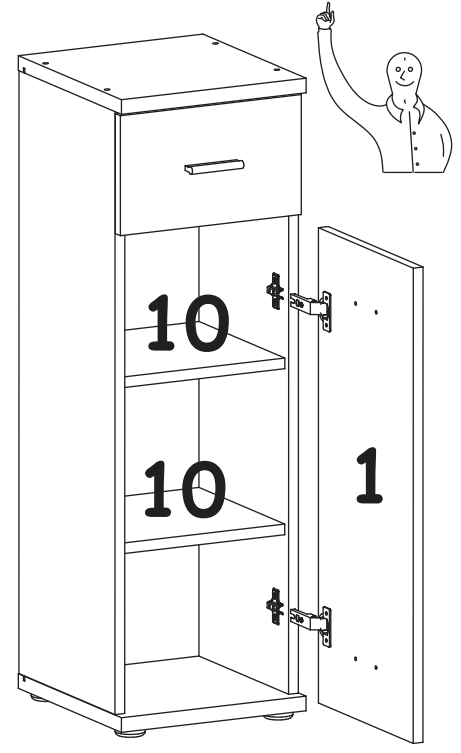
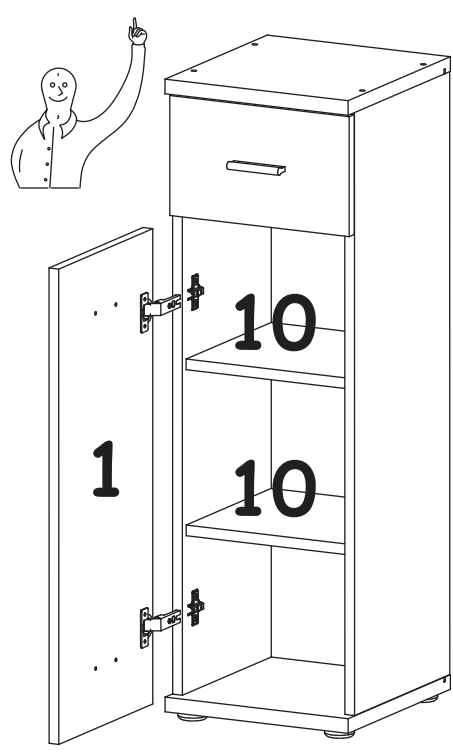
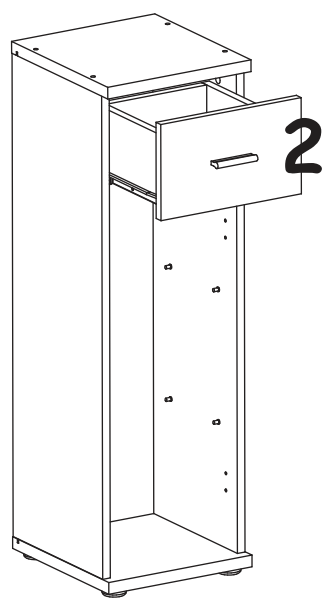
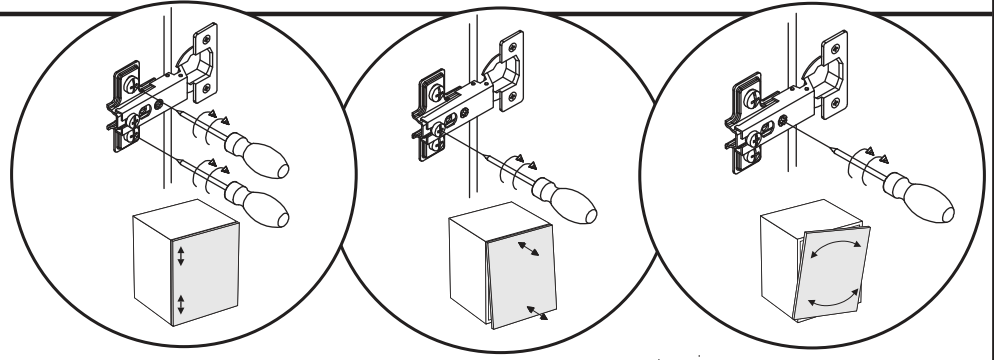


MARCO - TYP B

MC -B



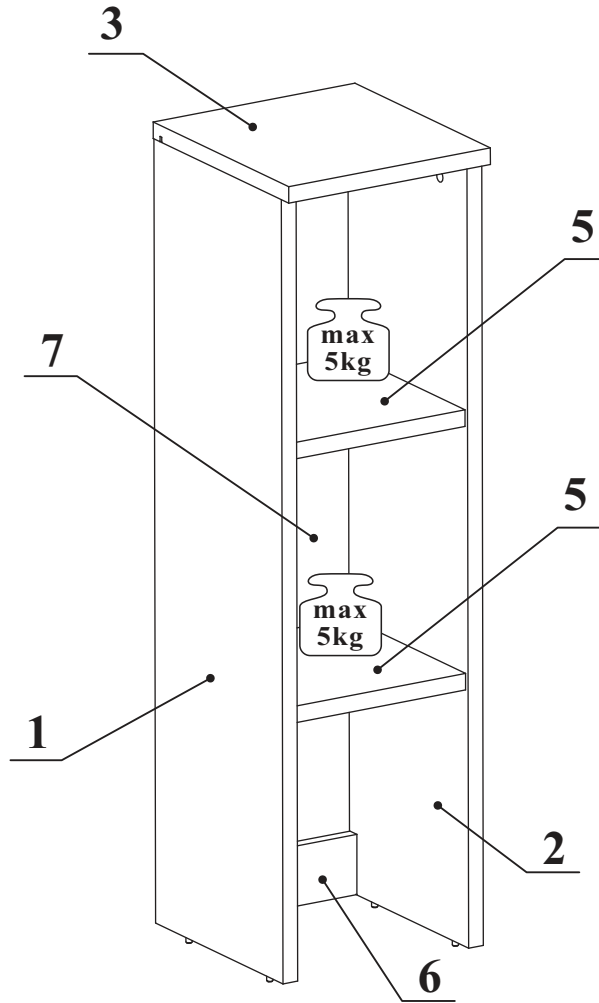
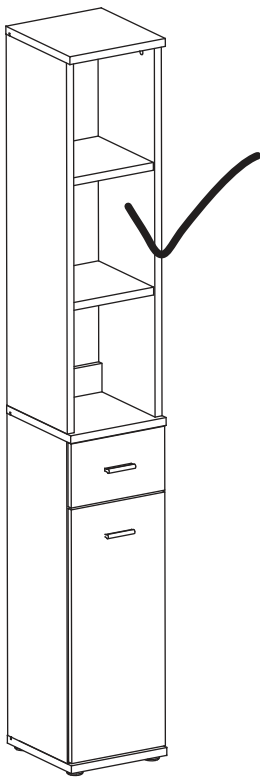
7



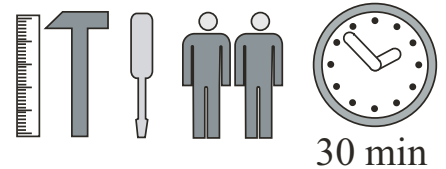
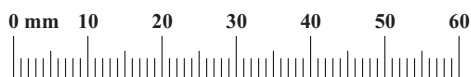
2

MARCO - TYP C

___MC___-C

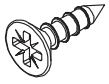

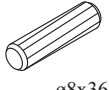
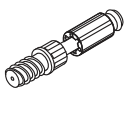



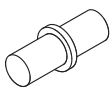
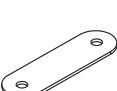


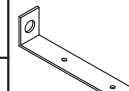
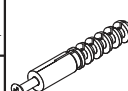



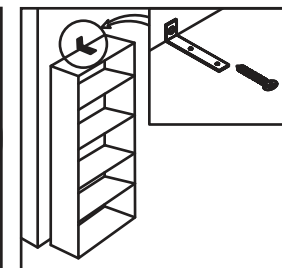
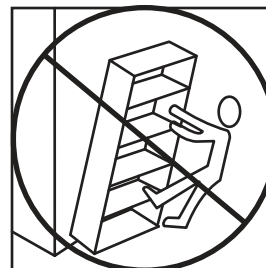
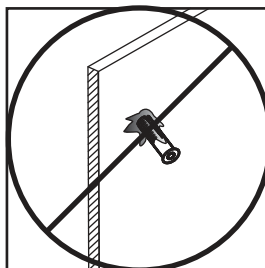
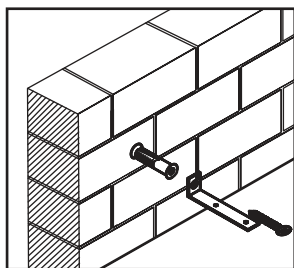
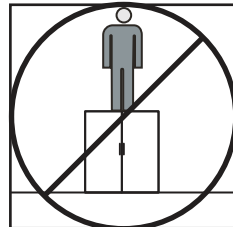
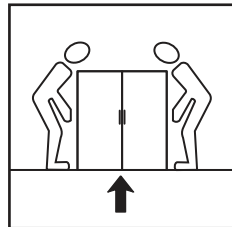
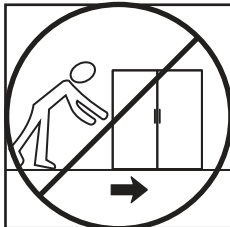
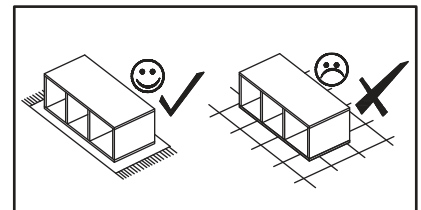
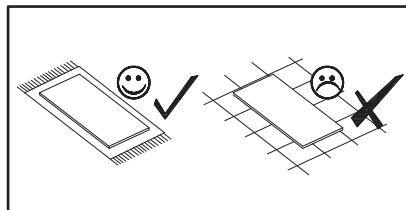
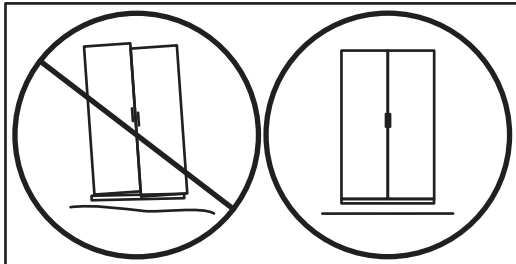
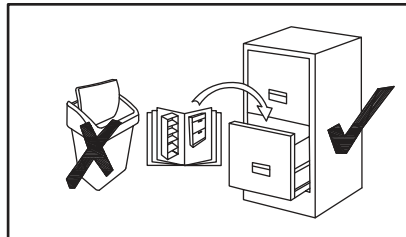
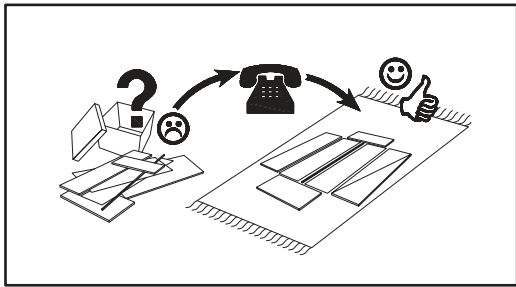
NO	Dim (mm)			Col.-No	Qty
1	1043	303	22	2/6	1
2	1043	303	22	2/6	1
3	302	322	22	2/6	1
5	256	277	22	2/6	2
6	256	80	16	2/6	1
7	1000	267	3	2/6	1



MARCO - TYP C

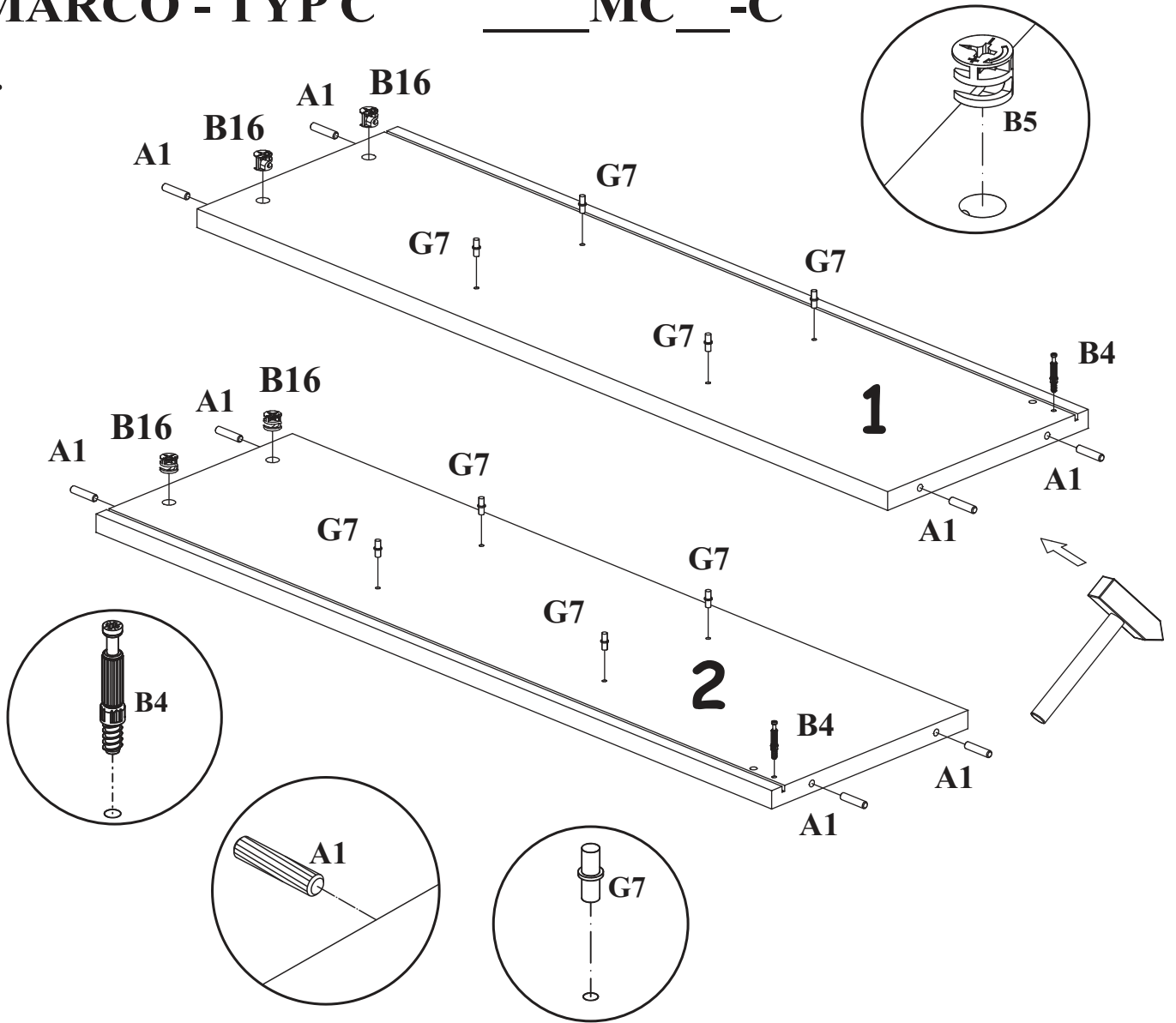
___MC___-C

D10 X2  USØ3,5x13	G2 X1 	A1 X10  ø8x36	B4 X6 	B5 X2  ø15x12	B16 X4  Ø15x16	G5 X6 	G7 X8 
MG3 X2 	UP17 X2  UPØ3x16	D9 X4  USØ3x20	L1 X1 	KR1 X1 	S1 X7 		

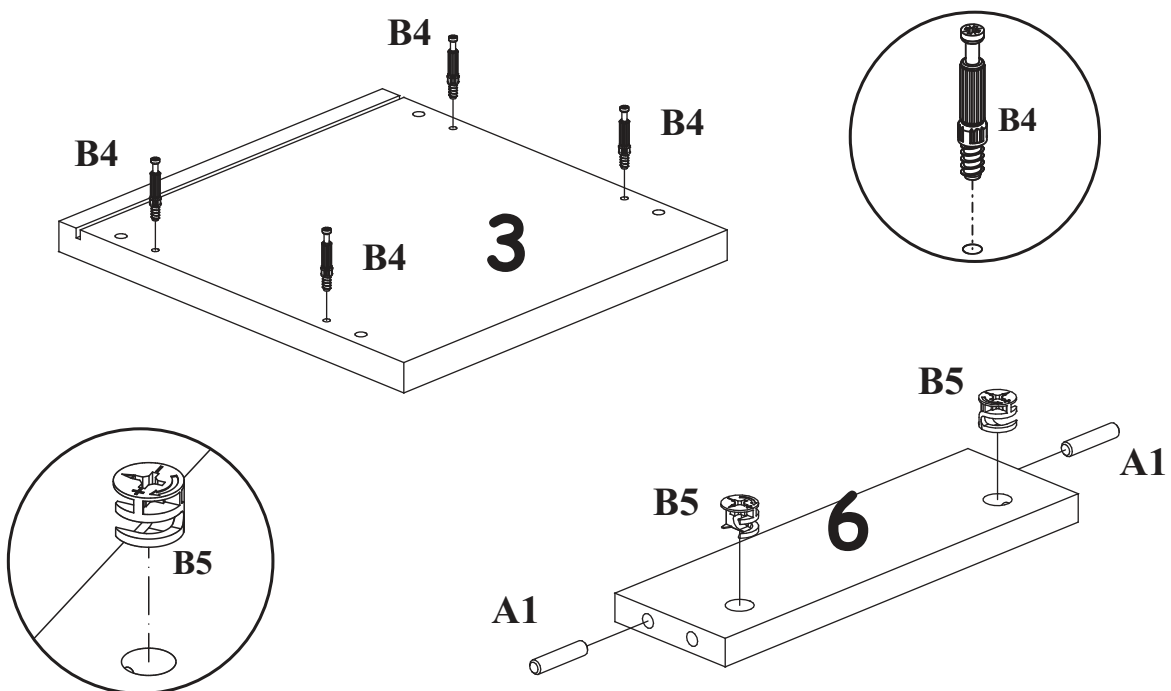


MARCO - TYP C _____ MC __ -C

1



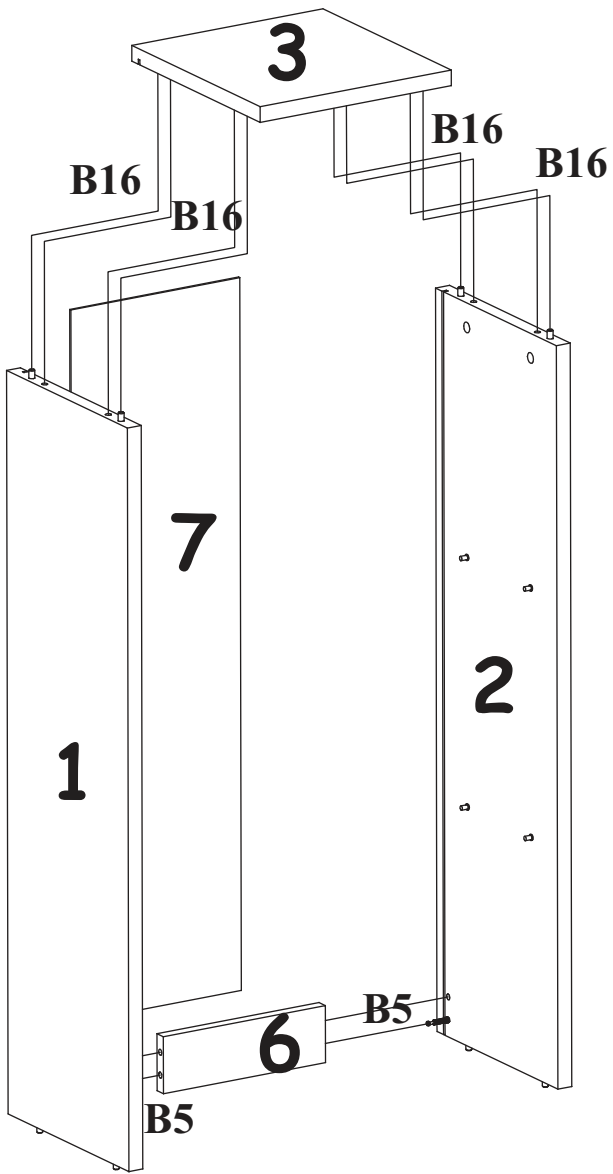
2



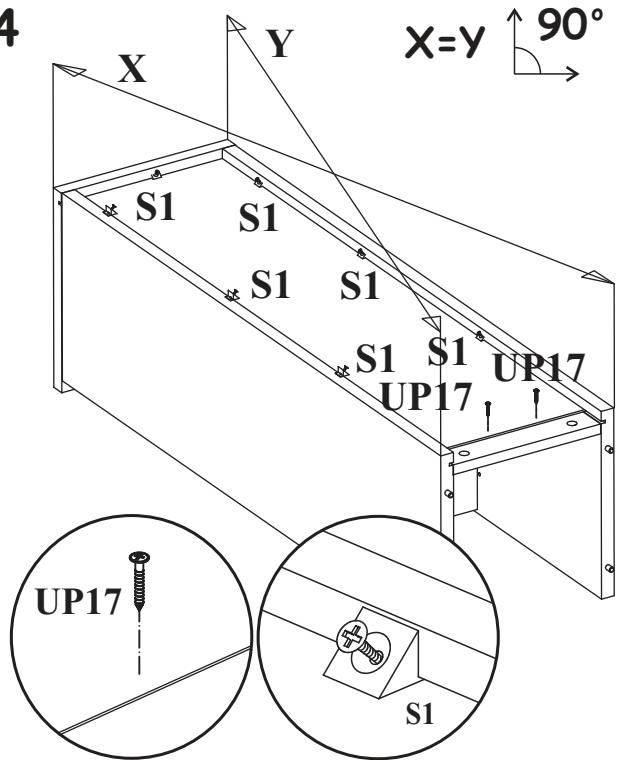
MARCO - TYP C

MC -C

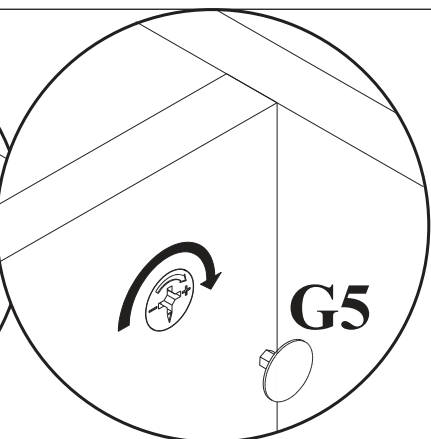
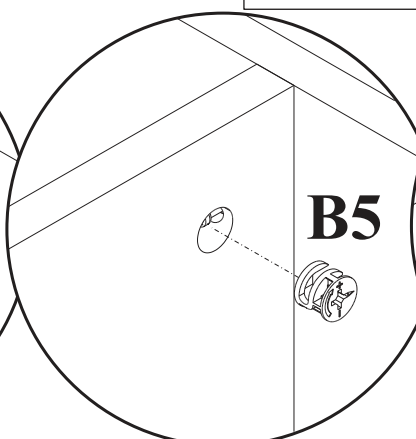
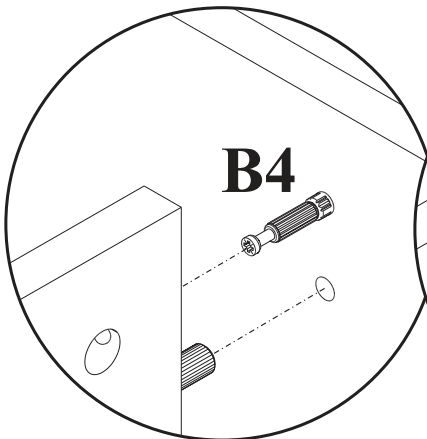
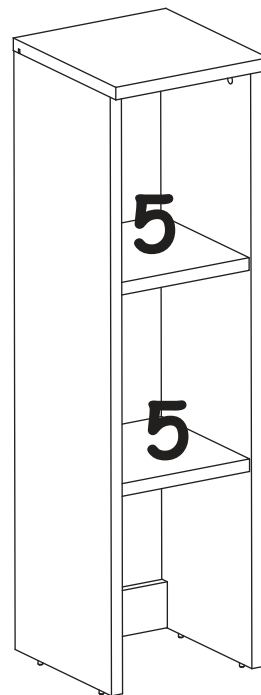
3



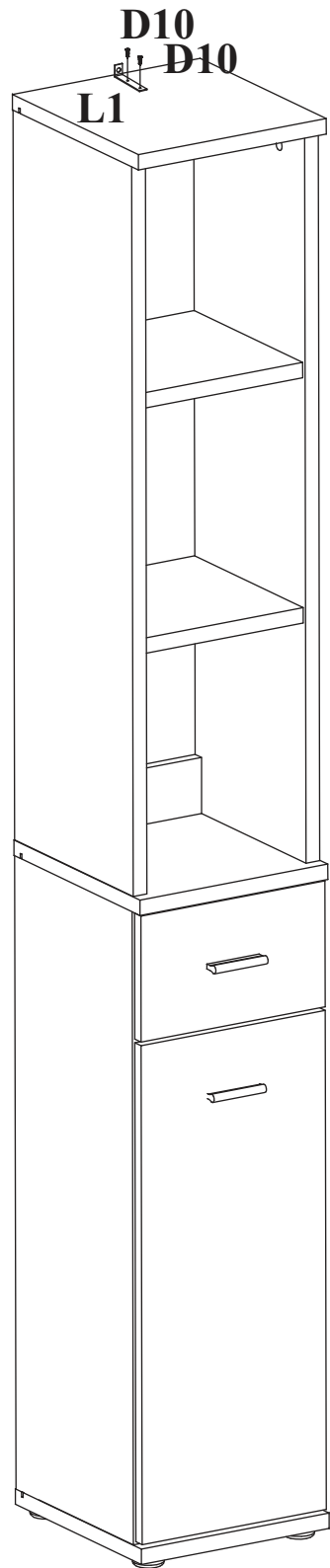
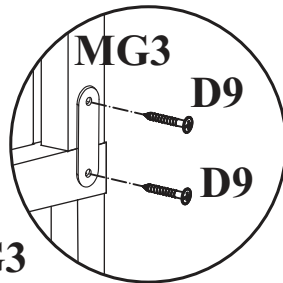
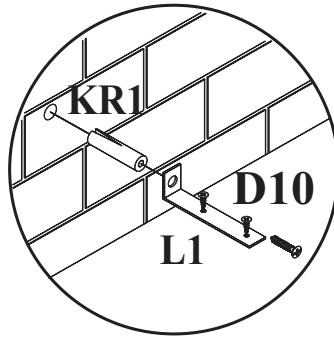
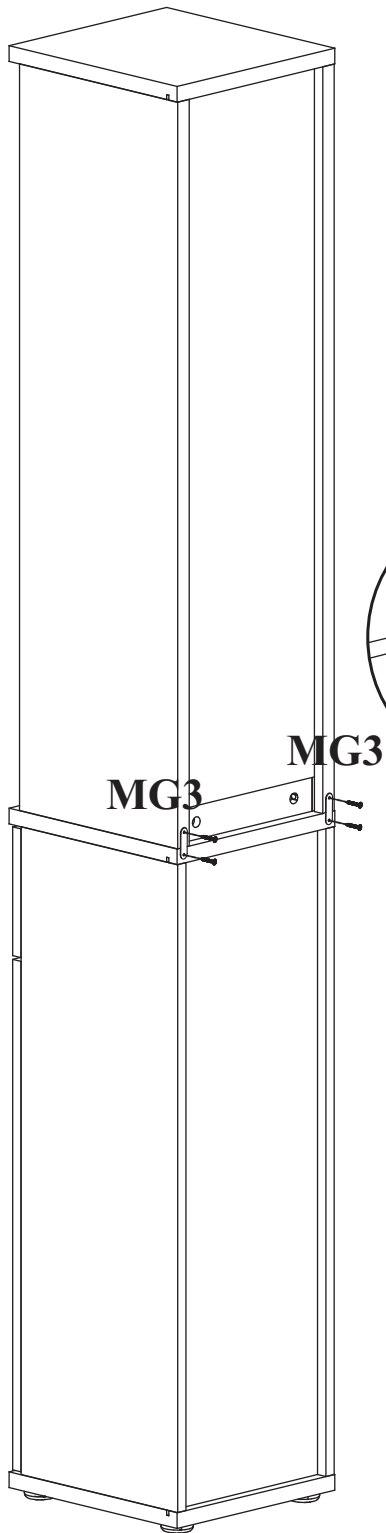
4

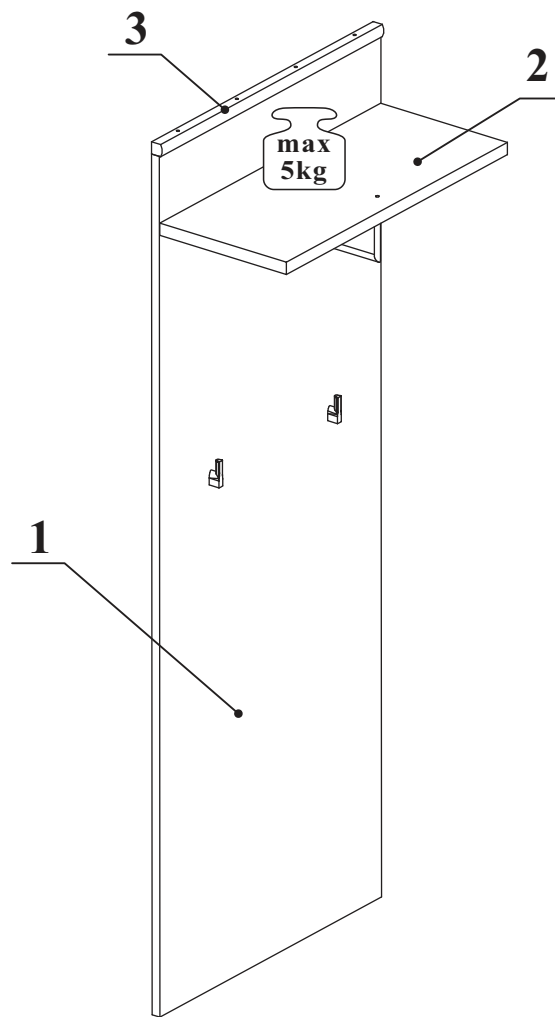
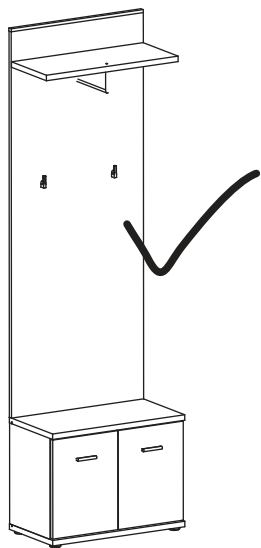


5

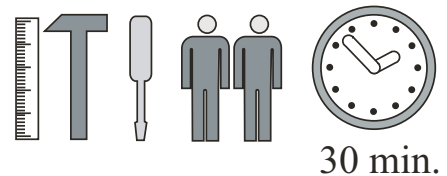
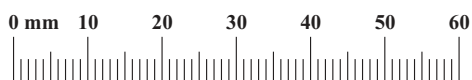


6





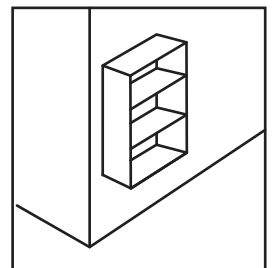
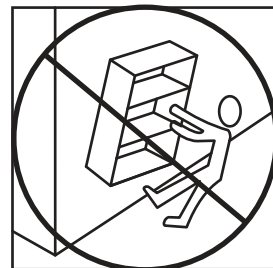
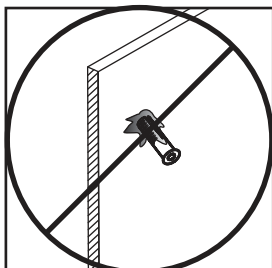
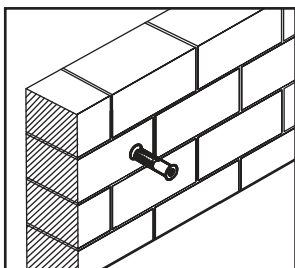
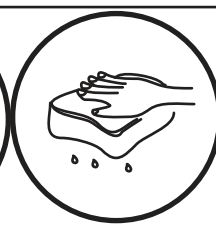
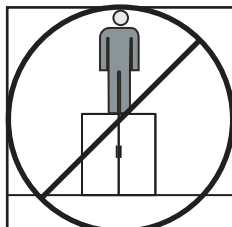
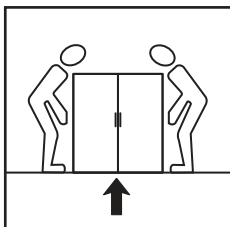
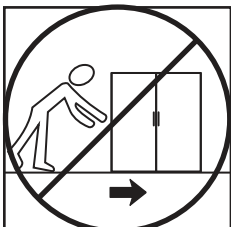
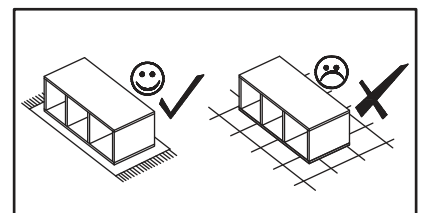
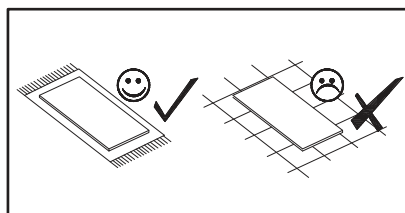
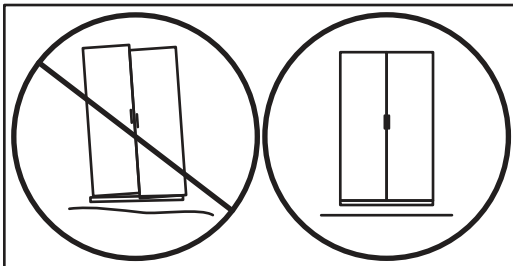
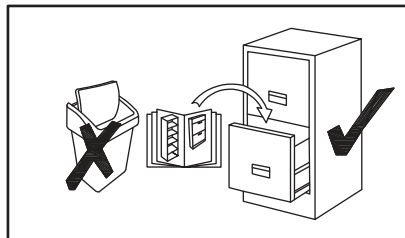
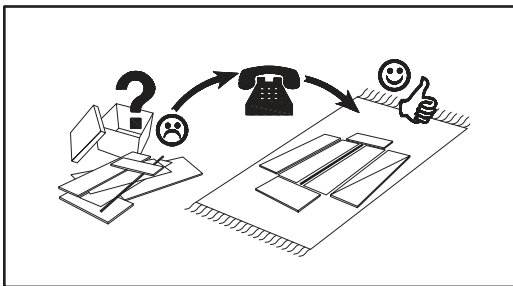
NO	Dim (mm)			Col.-No	Qty
1	1545	602	16	3/6	1
2	600	260	22	3/6	1
3	602	22	22	3/6	1



MARCO - TYP D

___ MC ___ -D

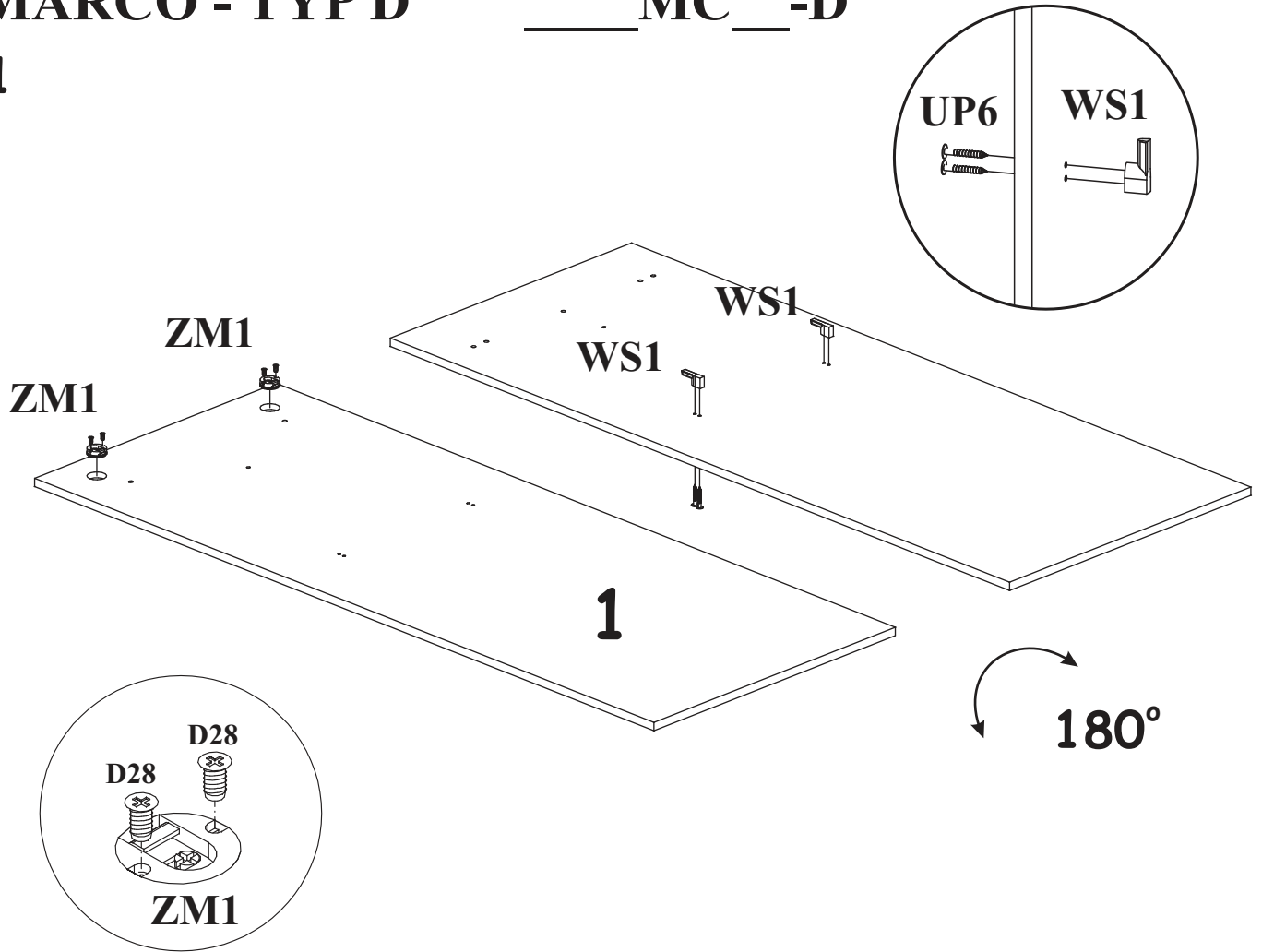
A1 X3 ø8x36	B11 X2 Ø7x50	G4 X2	UP6 X4 UPØ4x30	KR3 x2 Ø10	ZM1 X2
D3 X2 M4x35	D28 X4 ESØ6x9,5	WS1 X2	L50 X1	G2 X1	UP16 X4 UPØ4x35



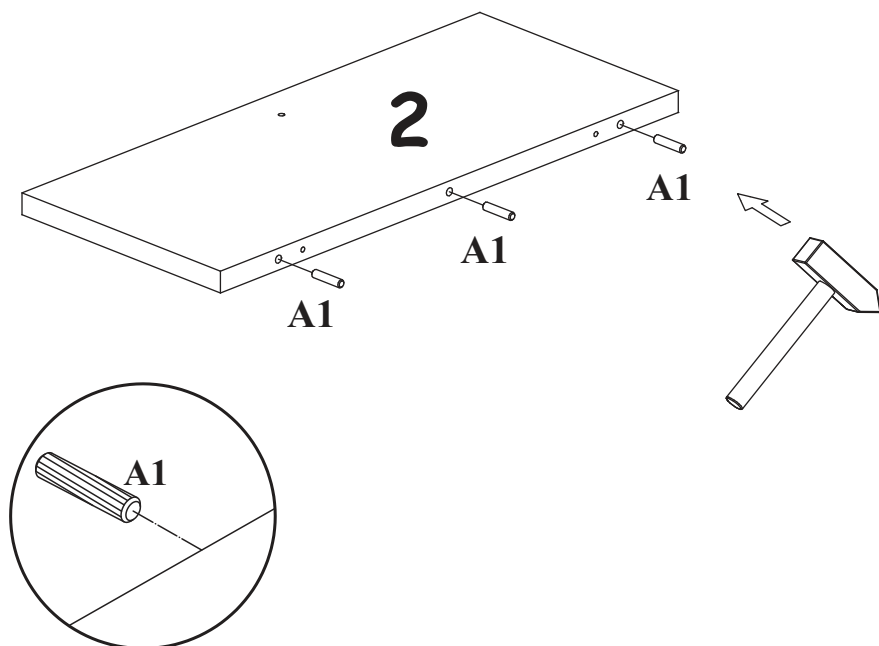
MARCO - TYP D

___MC___-D

1



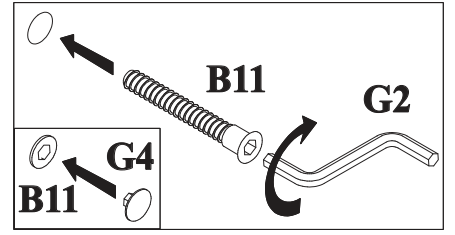
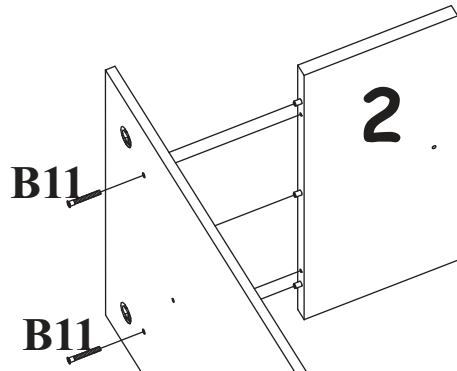
2



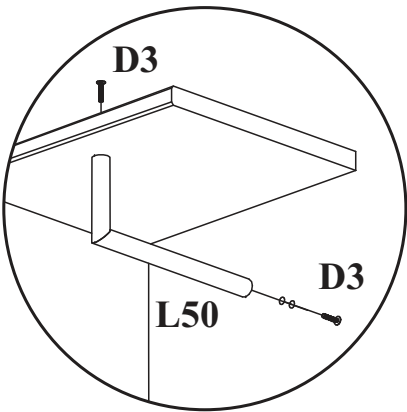
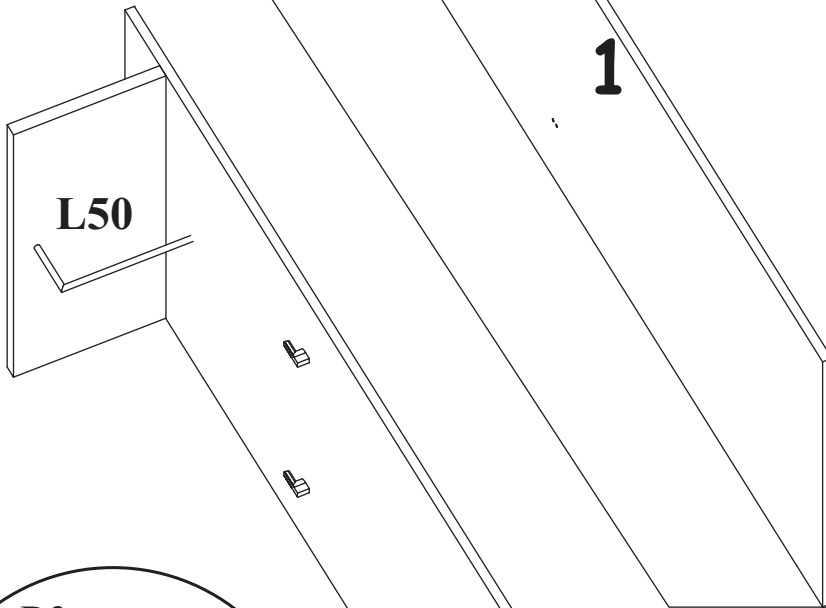
MARCO - TYP D

MC -D

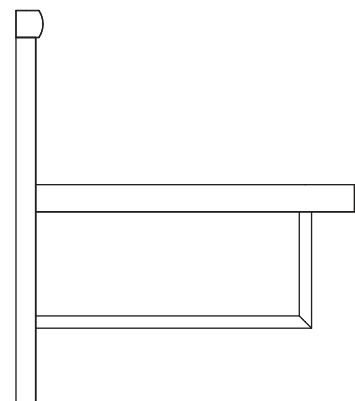
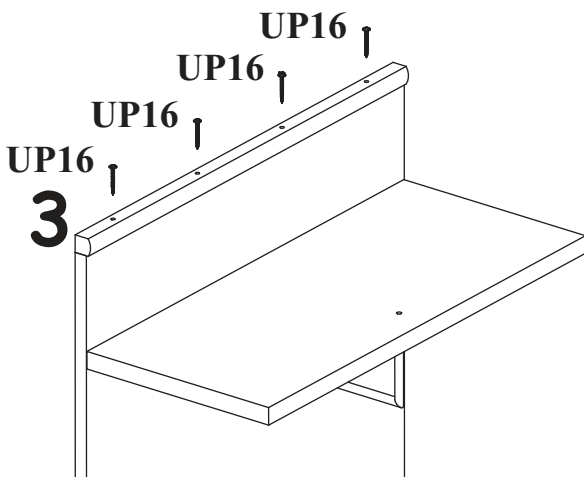
3



4



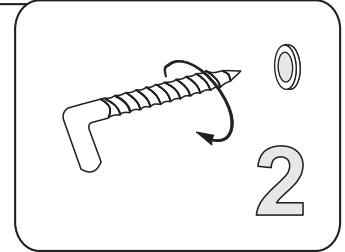
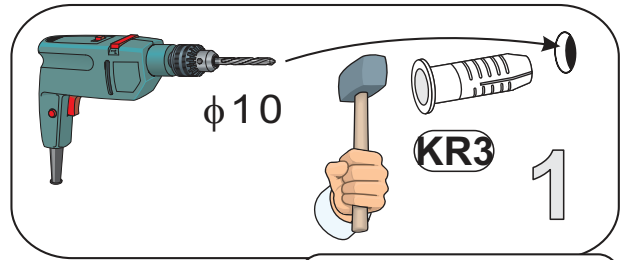
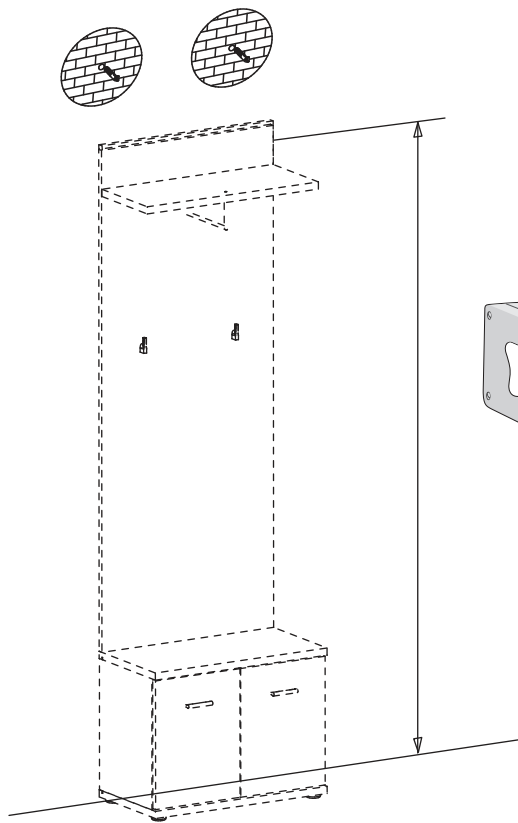
5



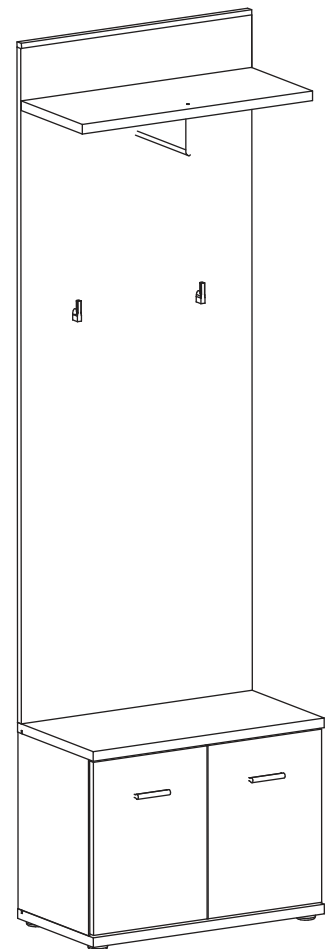
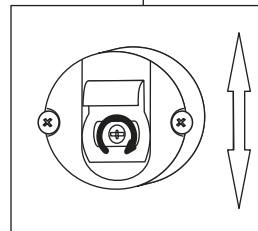
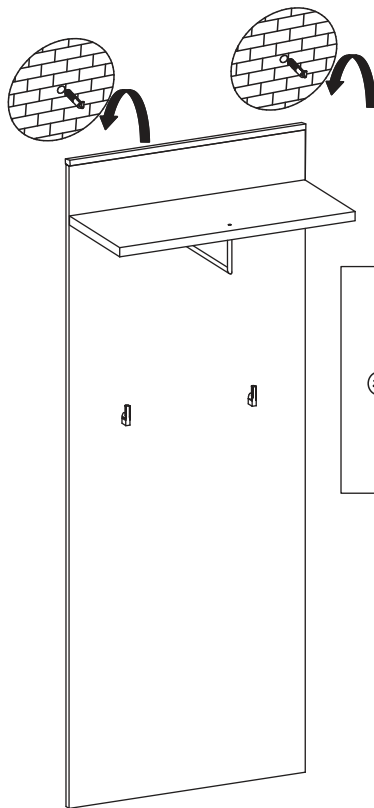
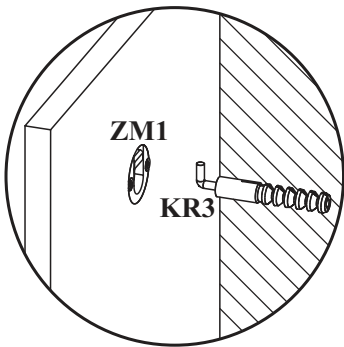
MARCO - TYP D

___ MC __-D

6

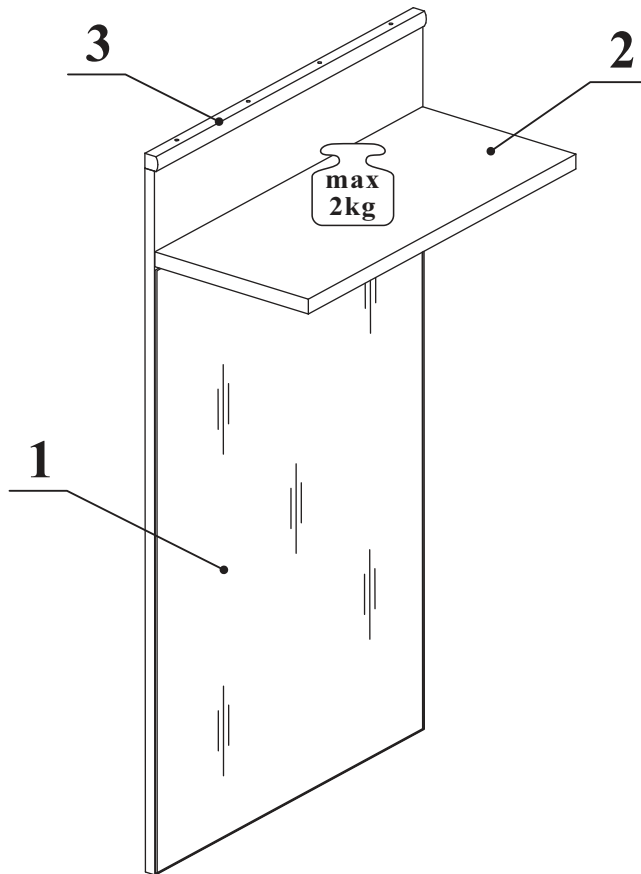
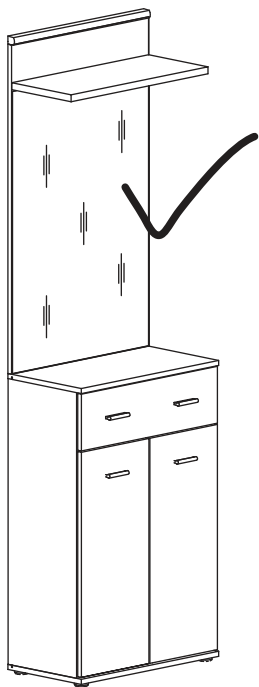


7

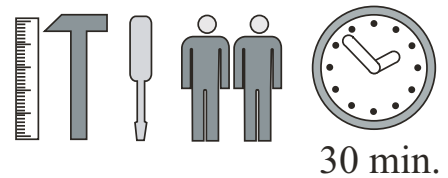
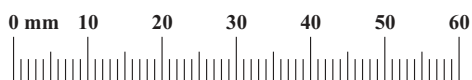


MARCO - TYPE E

___MC___-E

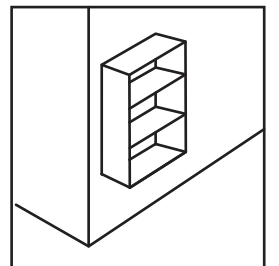
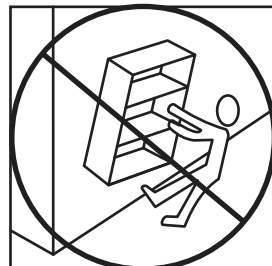
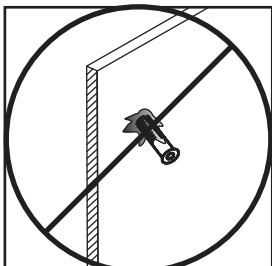
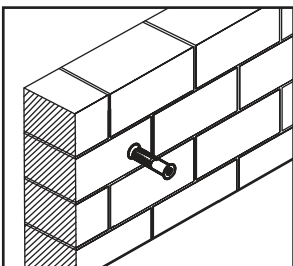
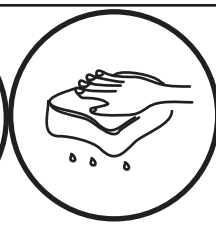
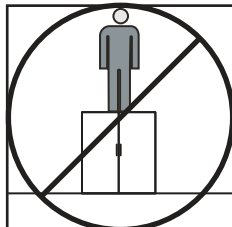
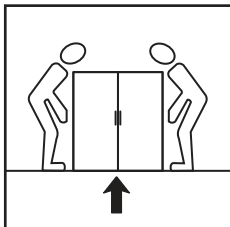
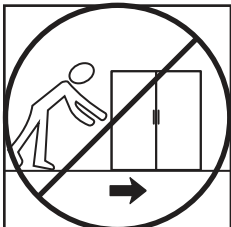
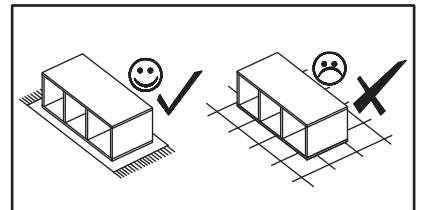
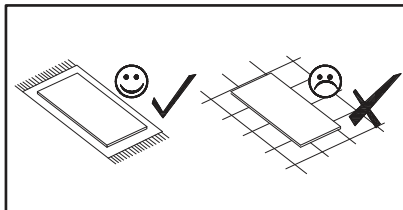
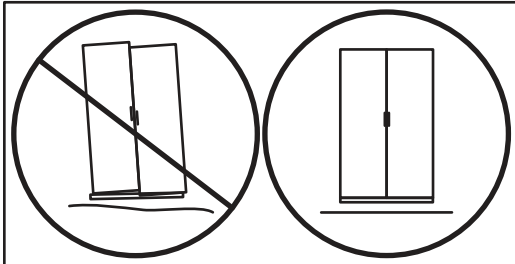
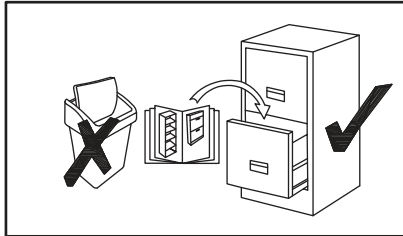
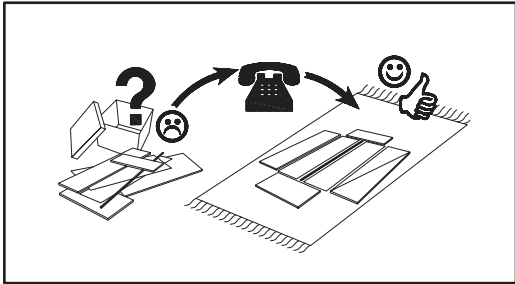
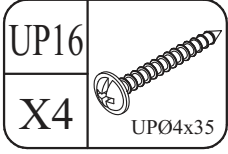
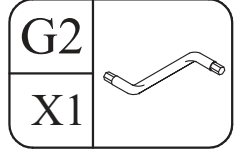
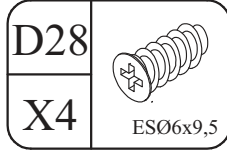
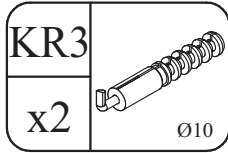
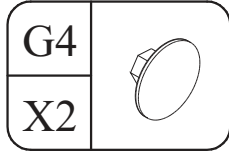
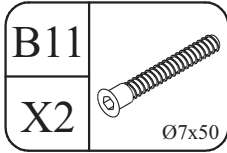
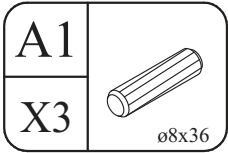


NO	Dim (mm)			Col.-No	Qty
	1	2	3		
1	1043	602	16	4/6	1
2	600	260	22	4/6	1
3	602	22	22	4/6	1



MARCO - TYPE

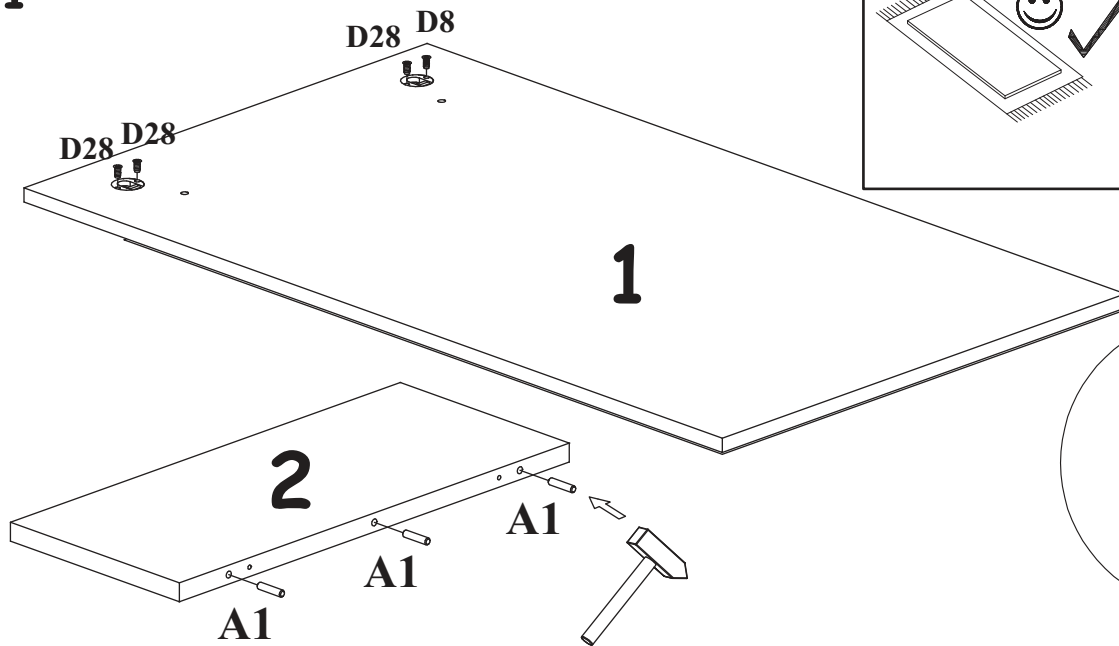
___MC__-E



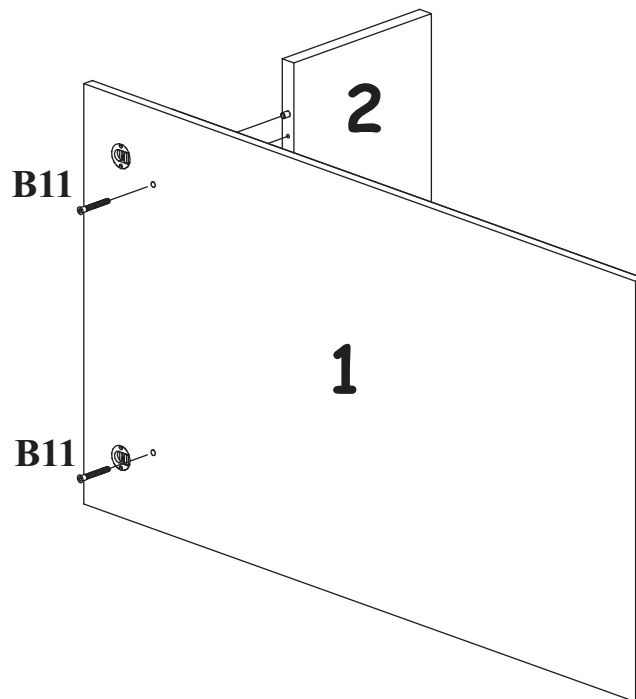
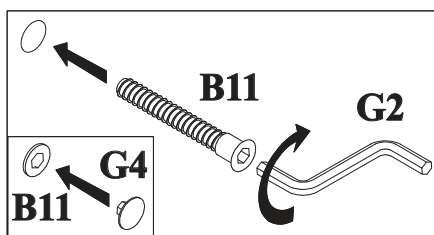
MARCO - TYPE E

MC -E

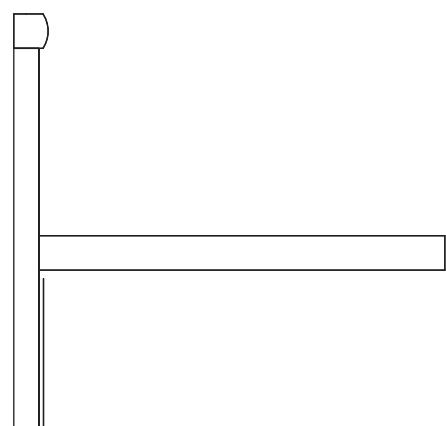
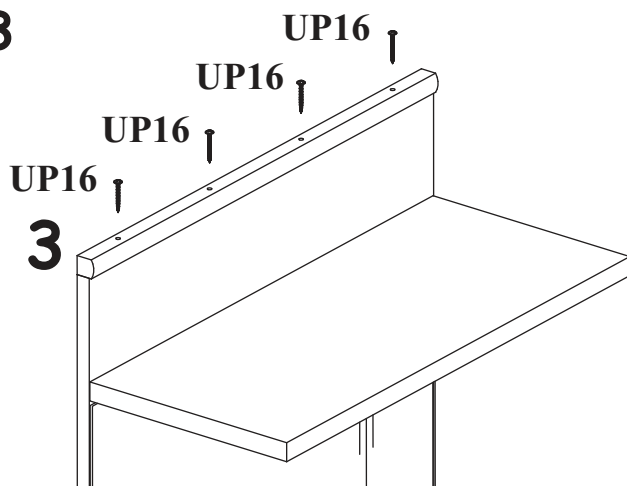
1



2



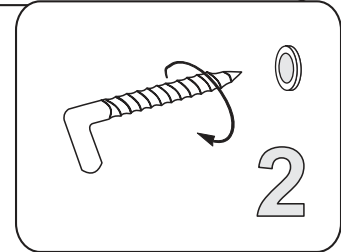
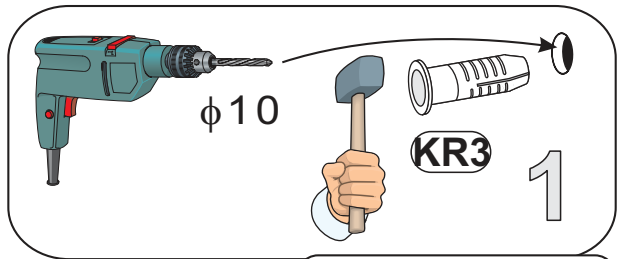
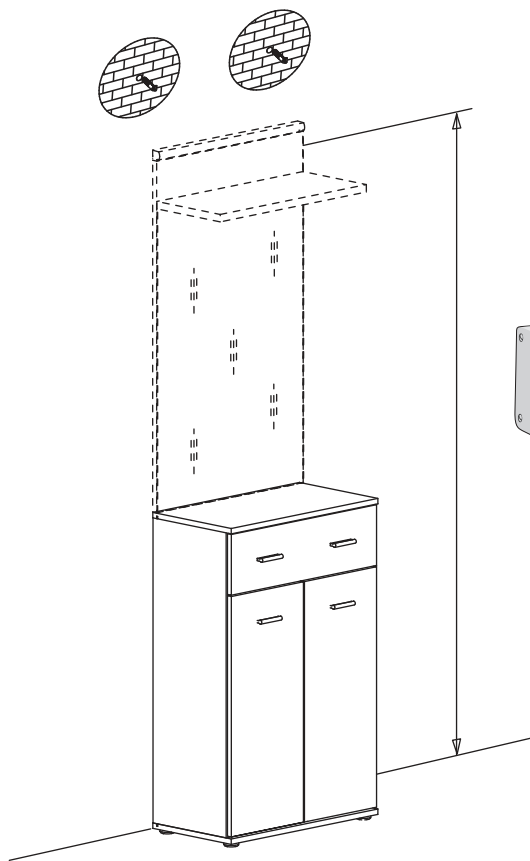
3



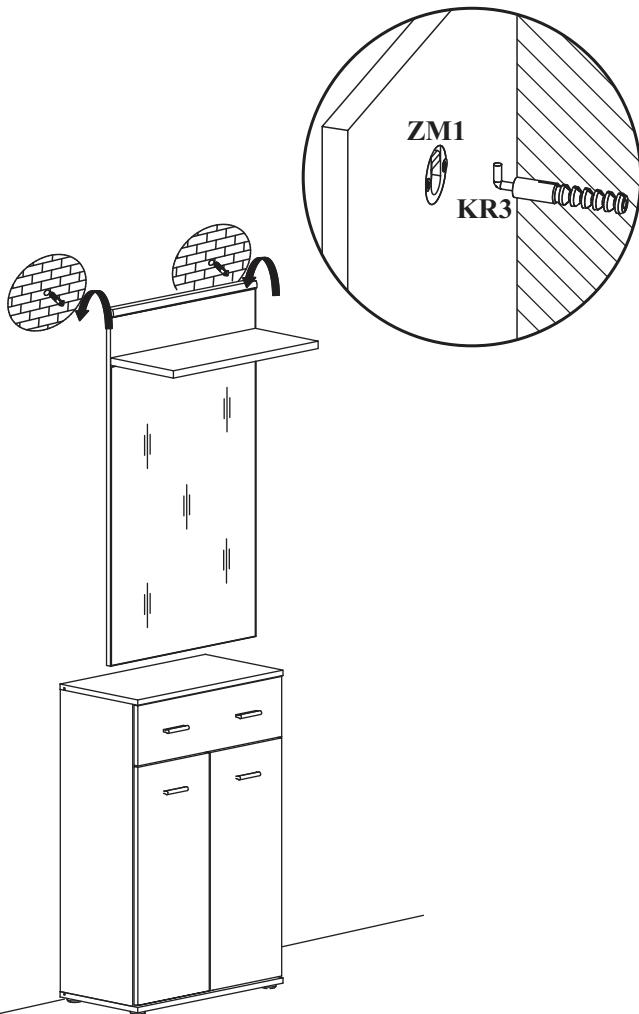
MARCO - TYPE E

MC -E

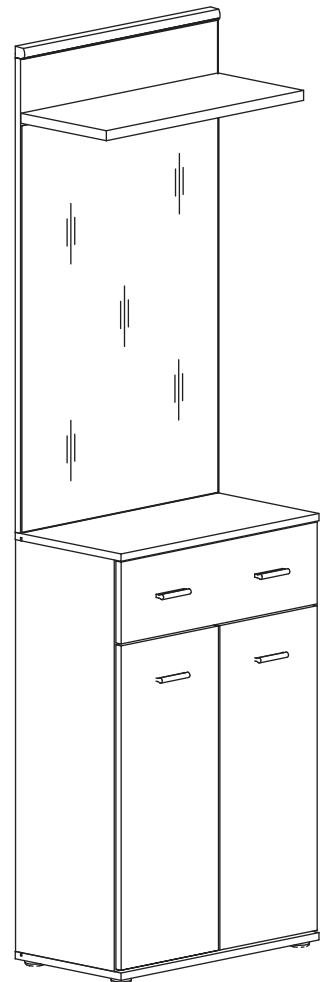
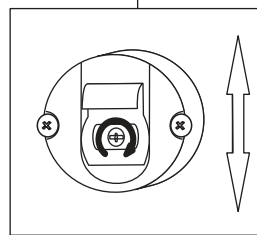
4

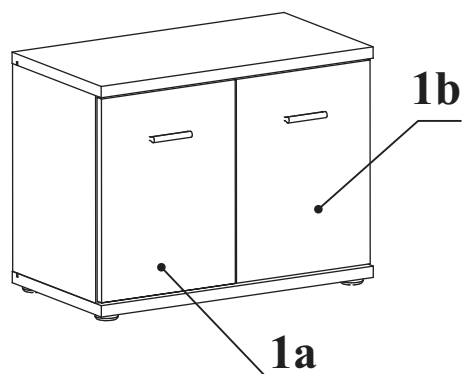
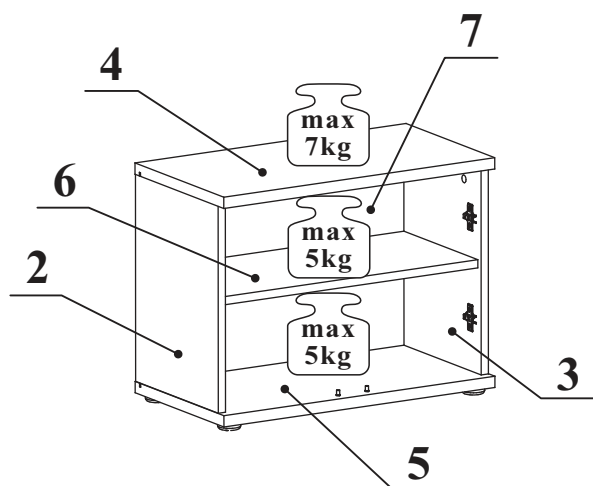
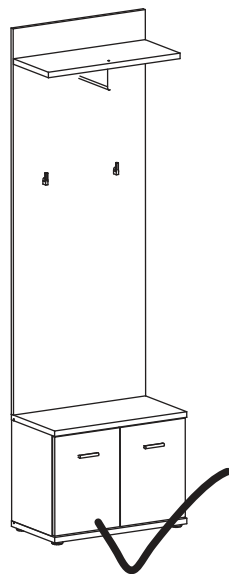


5

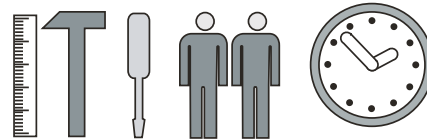
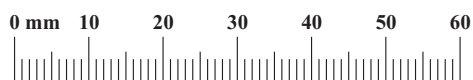


6





NO	Dim (mm)			Col.-No	Qty
1	396	296	16	5/6	2
2	404	300	16	5/6	1
3	404	300	16	5/6	1
4	602	322	22	5/6	1
5	602	322	22	5/6	1
6	568	268	16	5/6	1
7	415	578	3	5/6	1

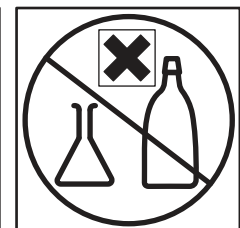
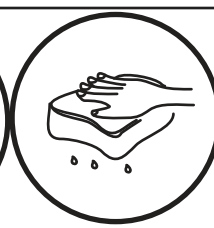
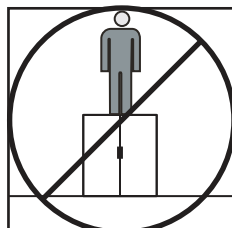
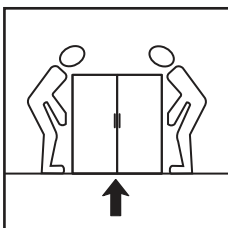
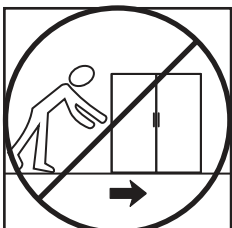
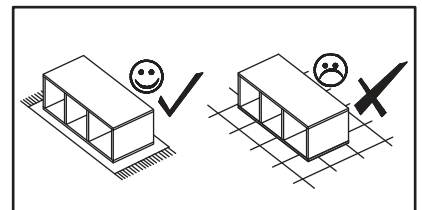
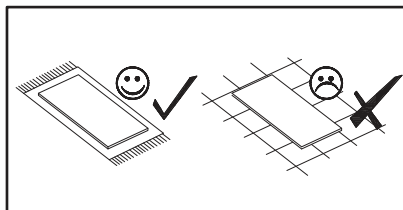
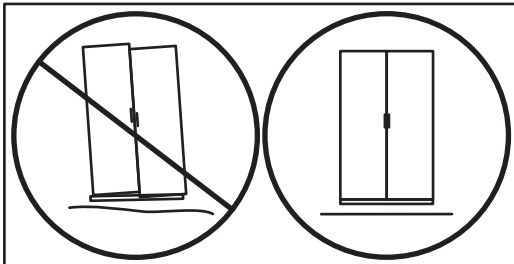
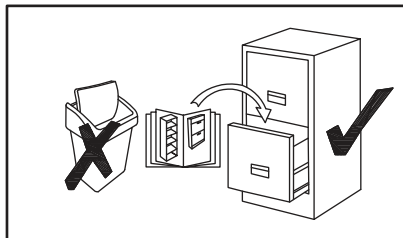
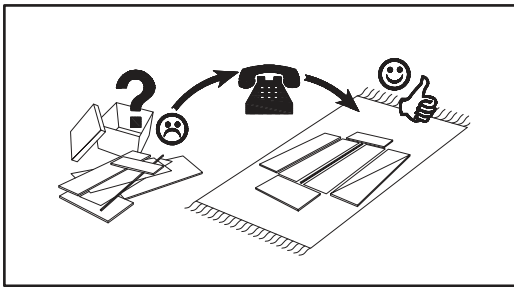


80 min.

MARCO - TYP F

___ MC ___ -F

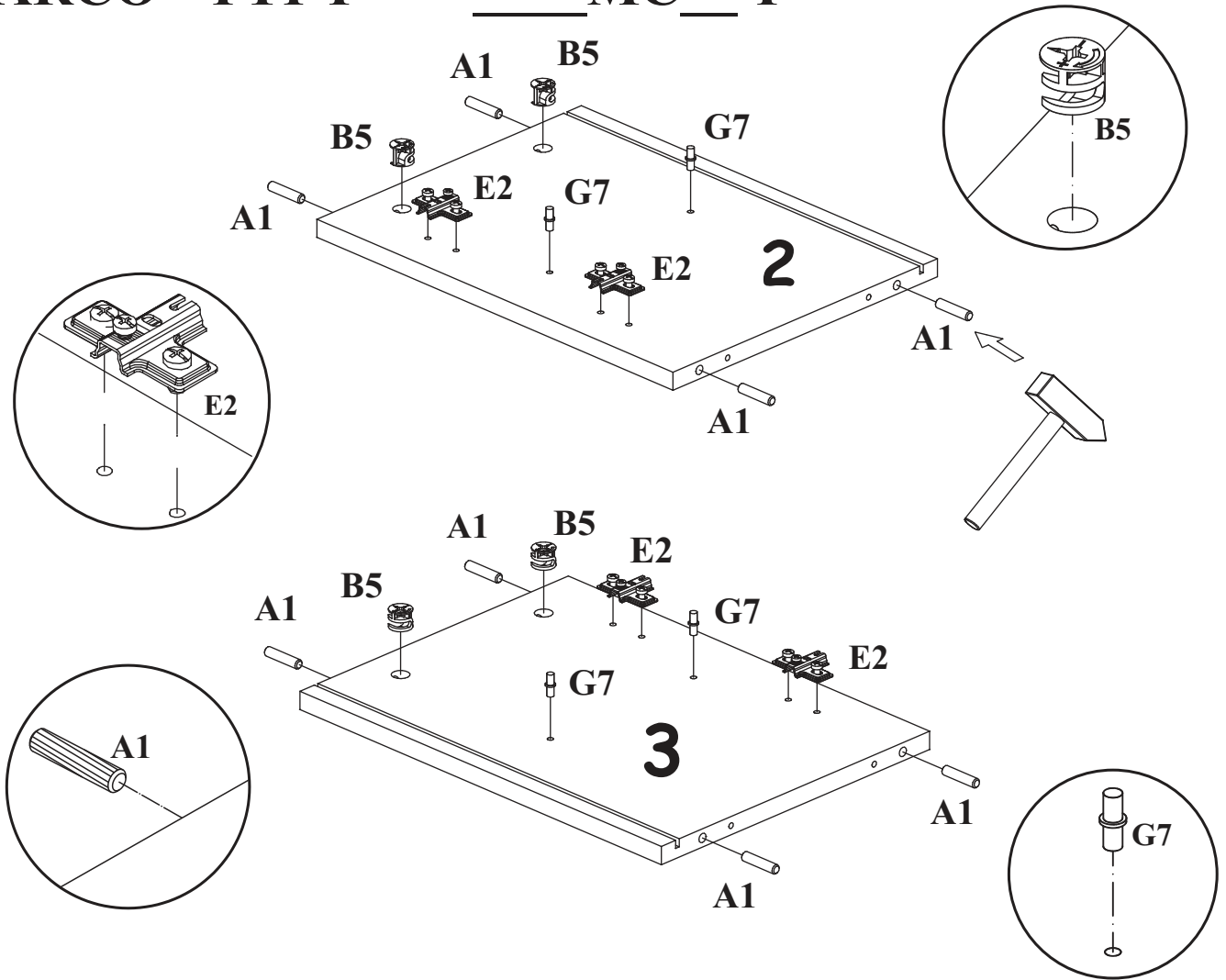
A1 X8 ø8x36	B11 X4 Ø7x50	G4 X4	B4 X4	B5 X4 ø15x12	G5 X4
G7 X4	G20 X2	E1 X4 H=0	E2 X4 H=0	KL X2	UP6 X4 UPØ4x30
Z2 X4 Ø5	S1 X6	I11 X4	D10 X8 USØ3,5x13	D11 X4 USØ3,5x25	G2 X1



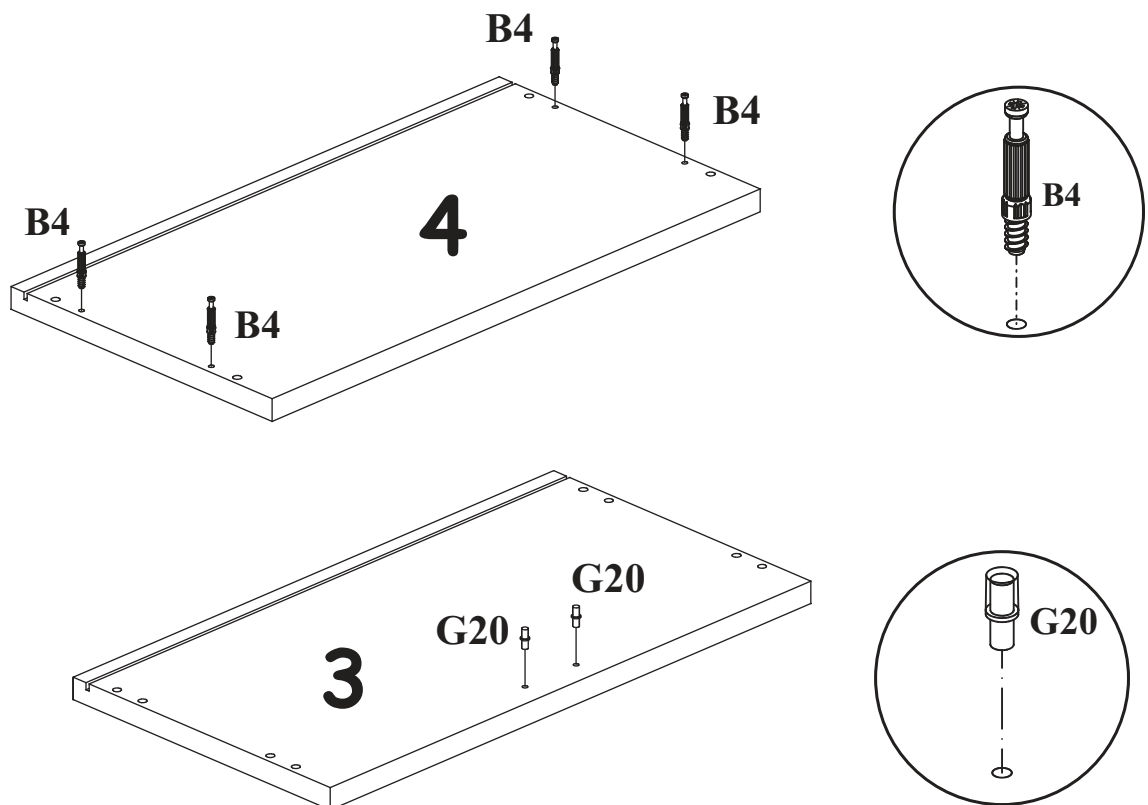
MARCO - TYP F

MC -F

1



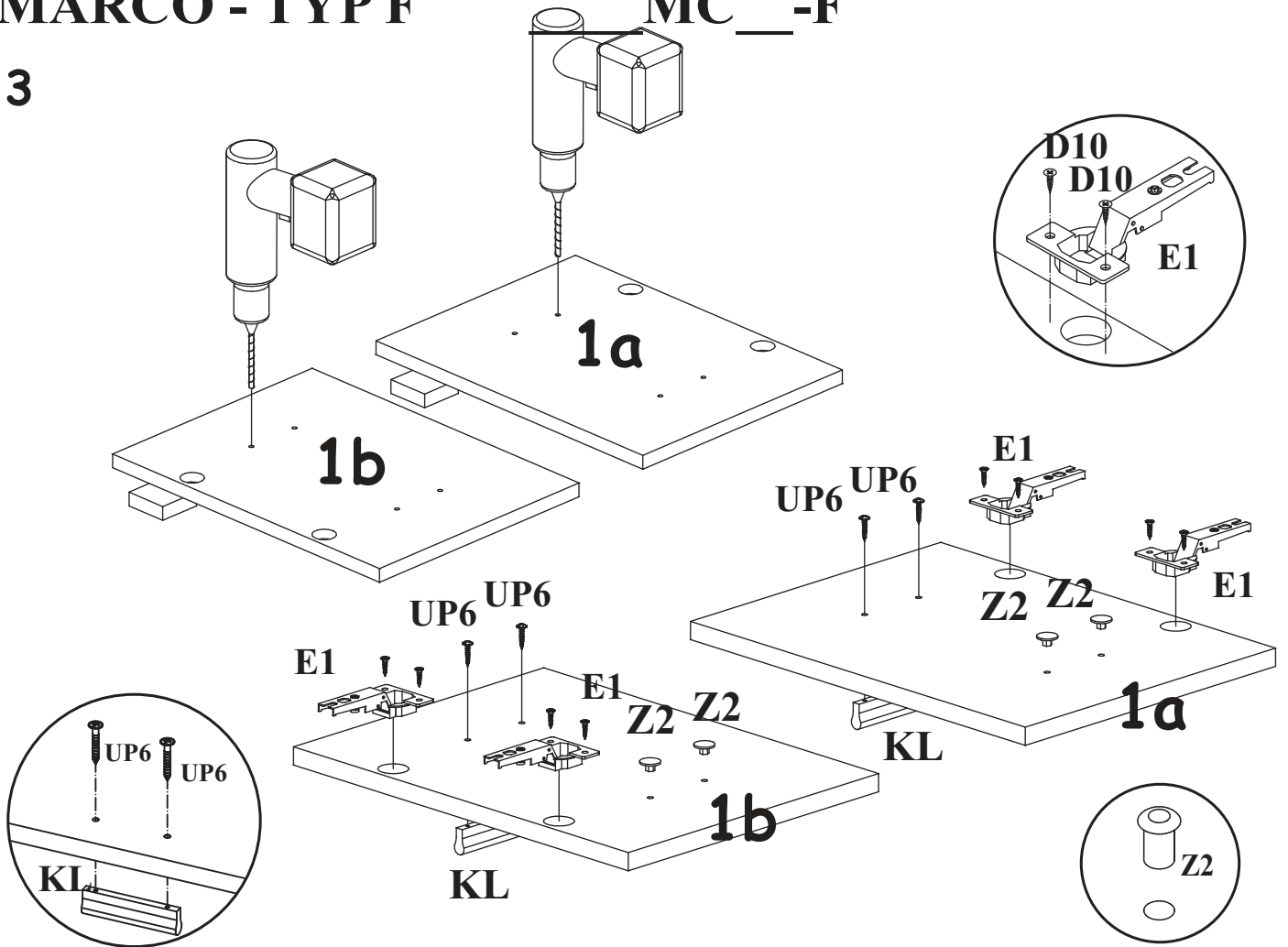
2



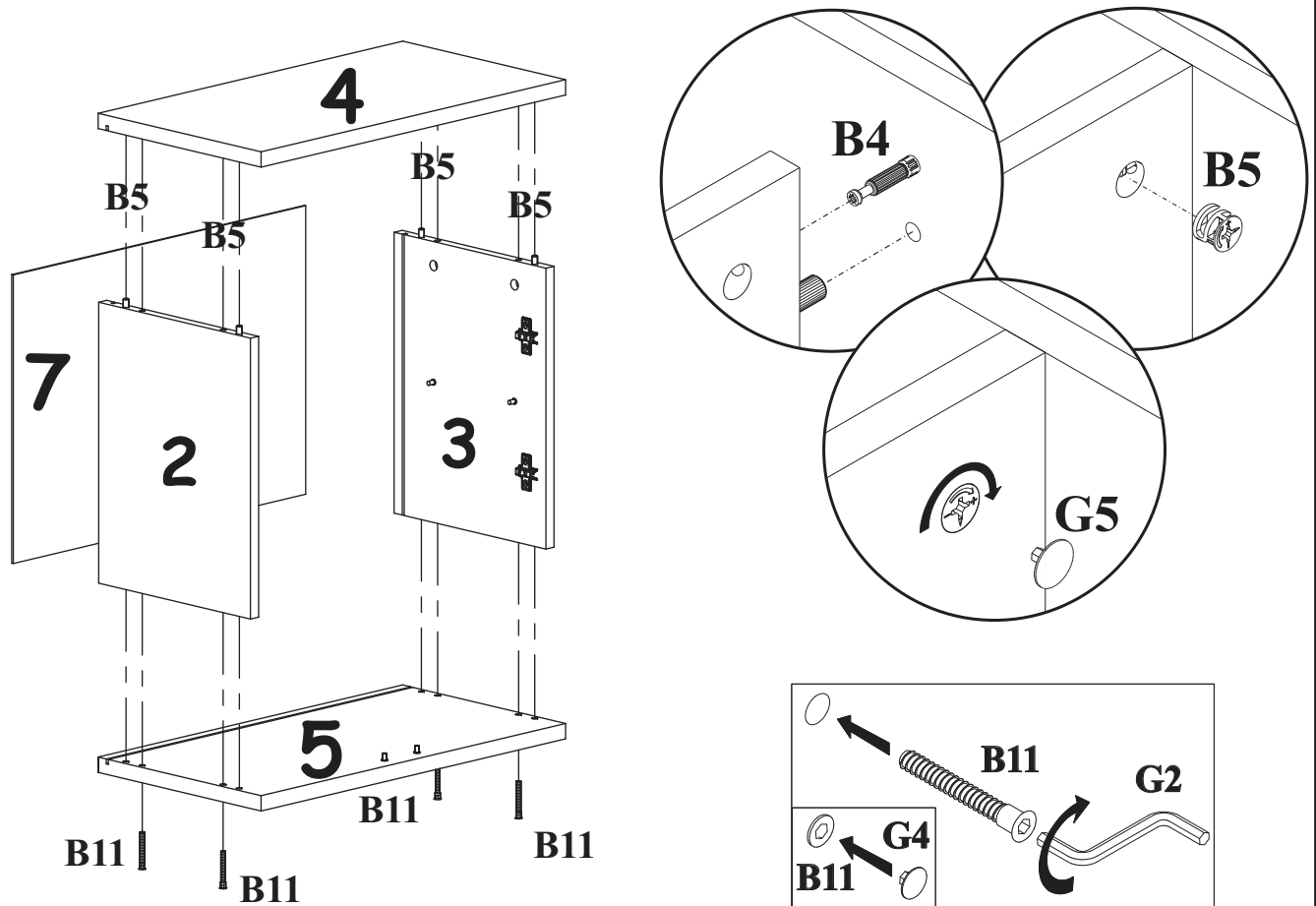
MARCO - TYP F

MC__-F

3

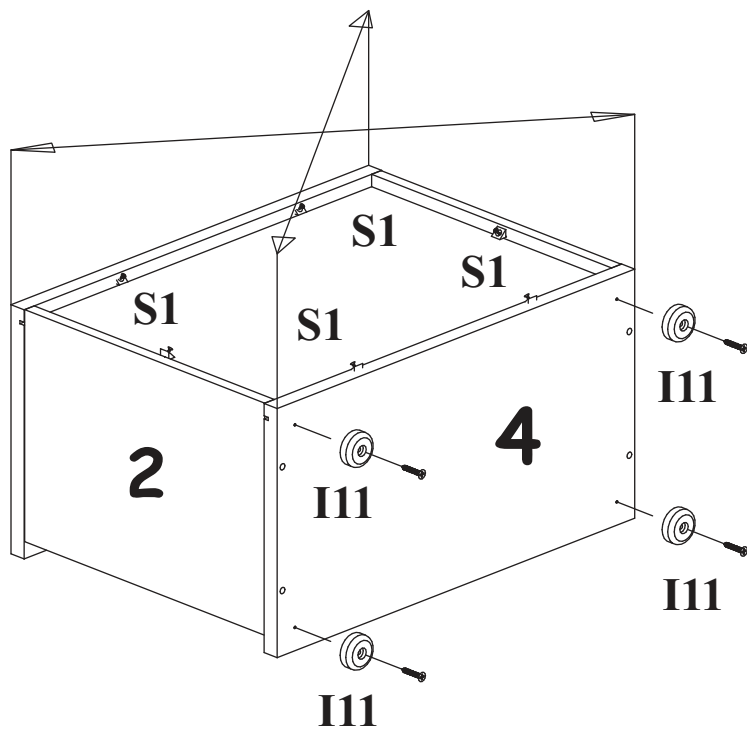


4

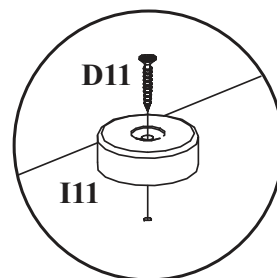
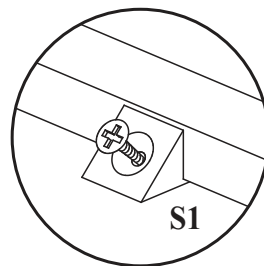


MARCO - TYP F _____ MC ___ -F

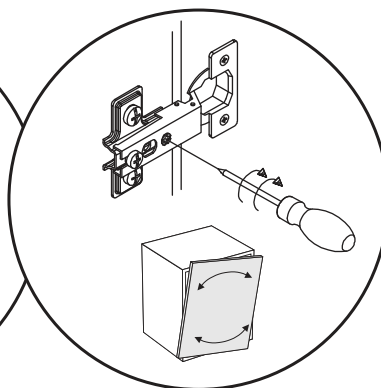
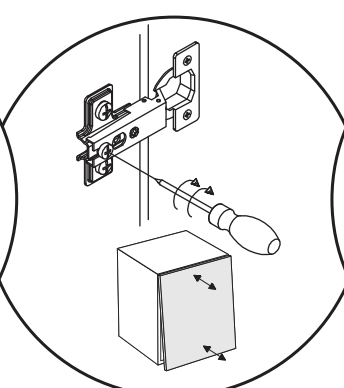
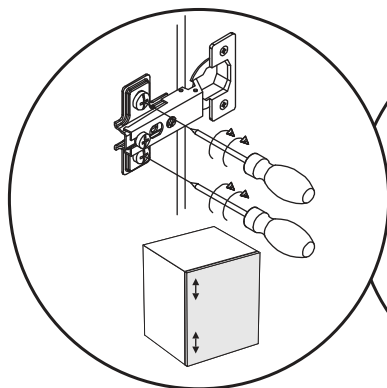
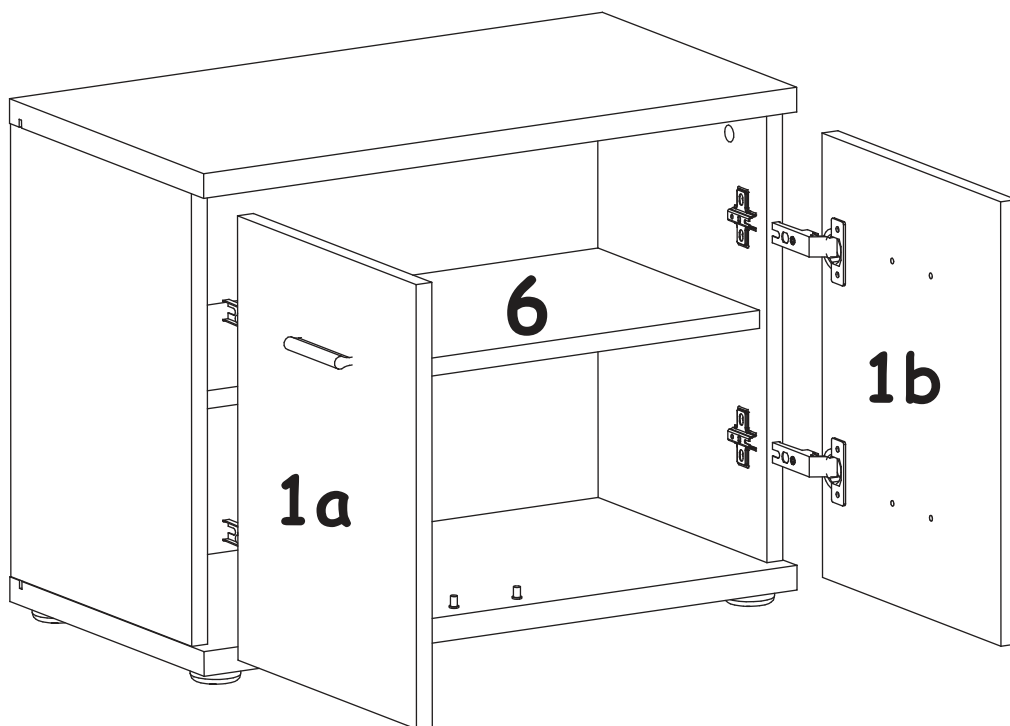
5



X=Y \uparrow 90°

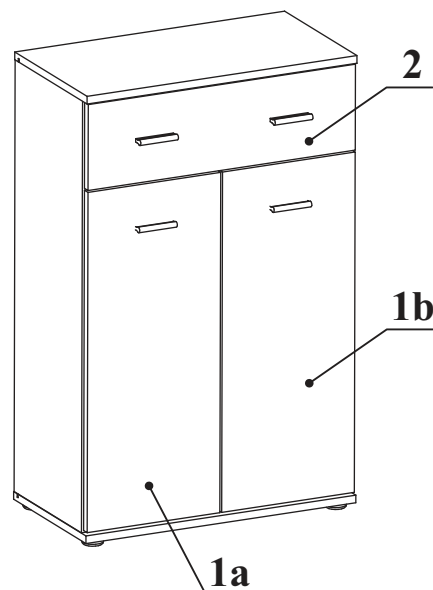
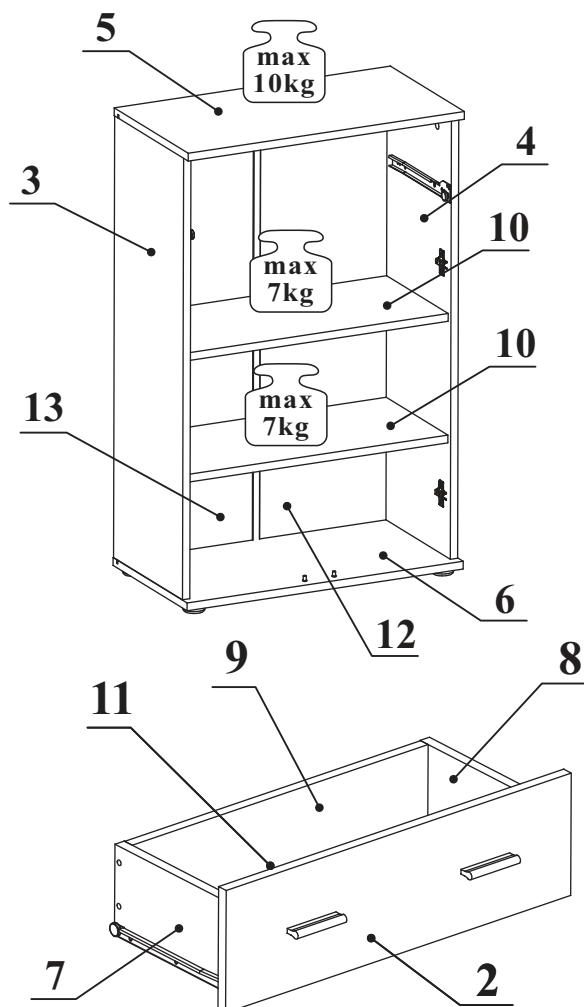
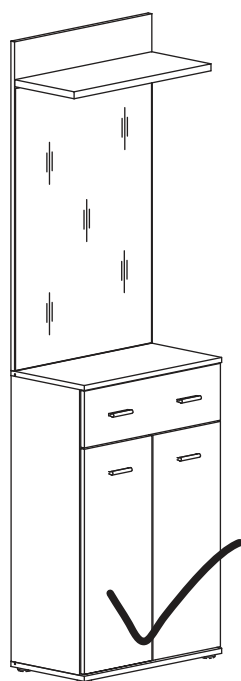


6

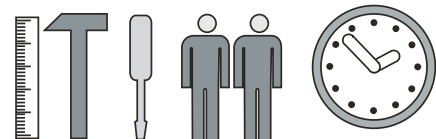
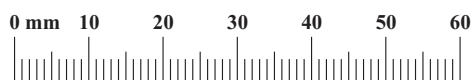


MARCO - TYP G

MC -G



NO	Dim (mm)			Col.-No	Qty
	1	2	3		
1	714	296	16	6/6	2
2	596	180	16	6/6	1
3	905	300	16	6/6	1
4	905	300	16	6/6	1
5	602	322	22	6/6	1
6	602	322	22	6/6	1
7	250	132	16	6/6	1
8	250	132	16	6/6	1
9	511	112	16	6/6	1
10	568	268	16	6/6	2
11	523	253	3	6/6	1
12	916	289	3	6/6	1
13	916	289	3	6/6	1

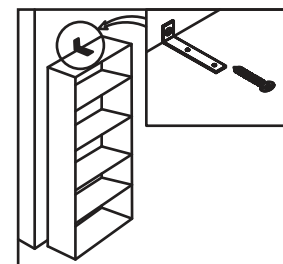
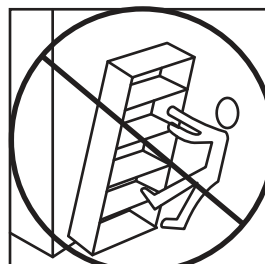
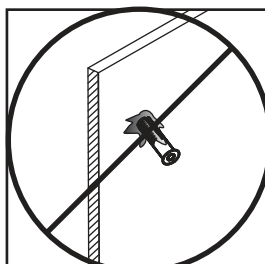
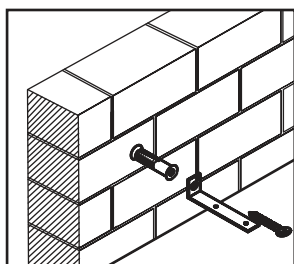
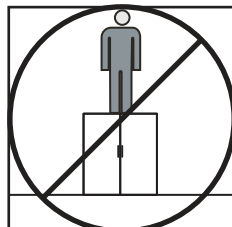
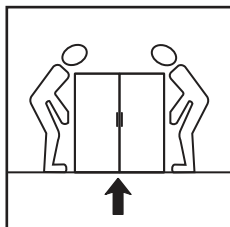
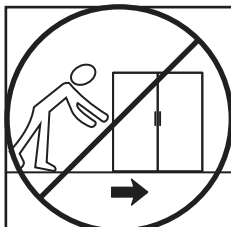
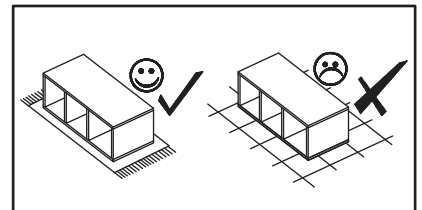
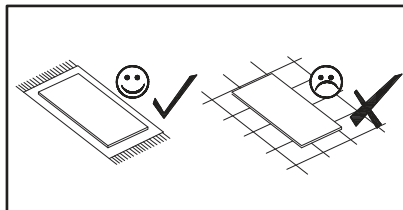
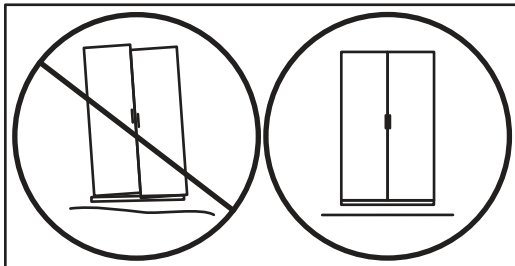
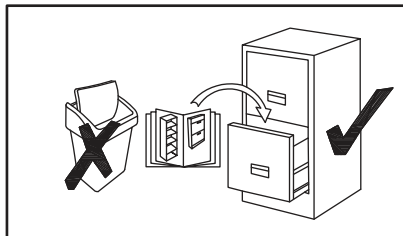
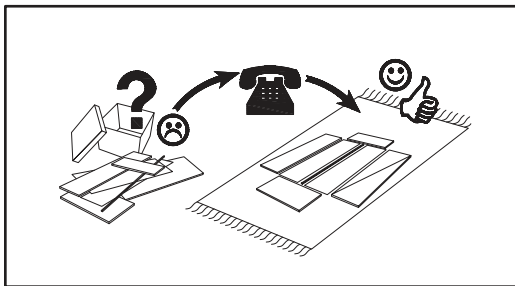


160 min.

MARCO - TYP G

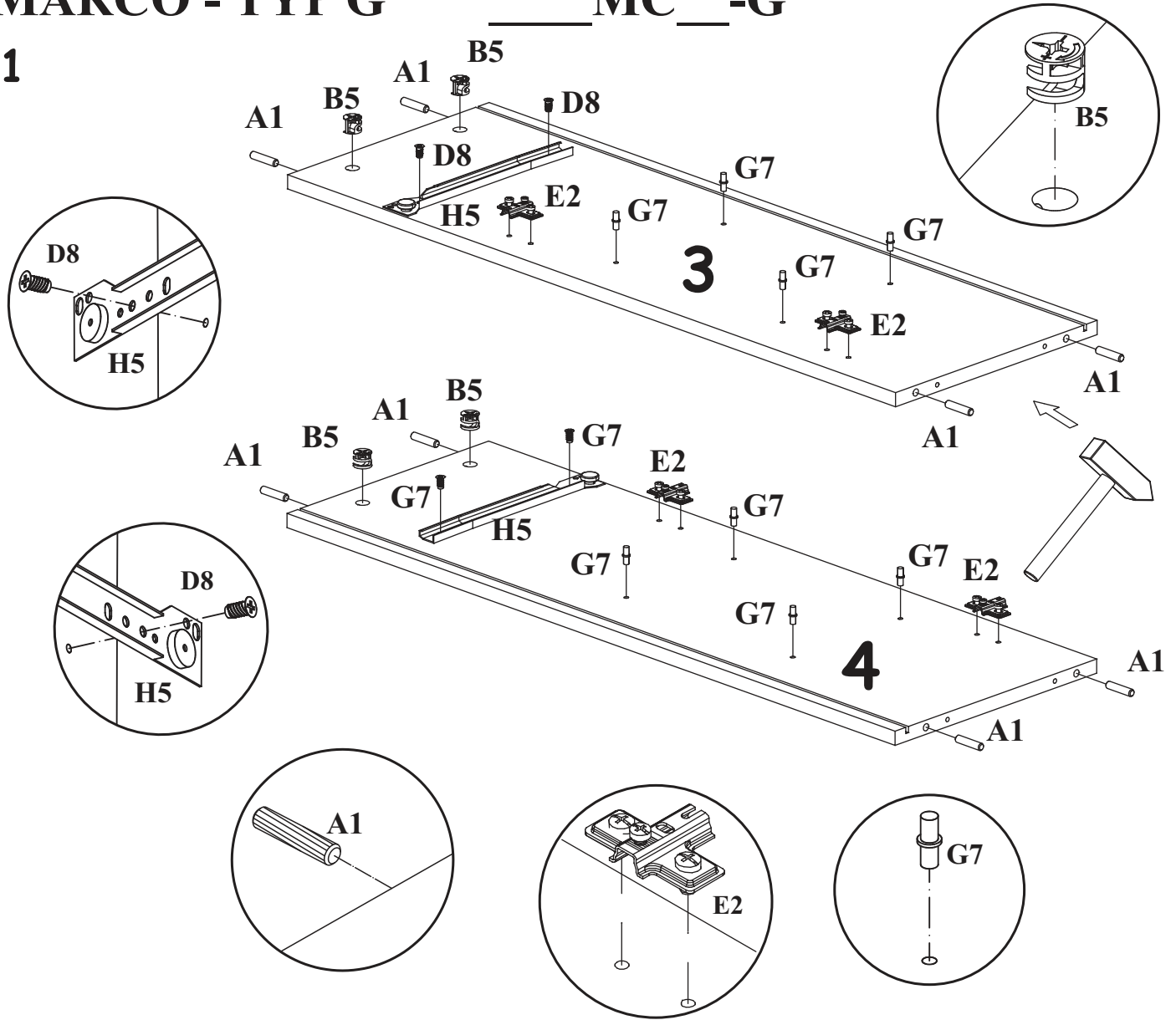
___MC___-G

A1 X12 ø8x36	B11 X8 Ø7x50	G4 X8	B4 X6	B5 X6 ø15x12	G5 X6
G7 X8	G20 X2	E1 X4 H=0	E2 X4 H=0	KL X4	UP6 X8 UPØ4x30
Z2 X4 Ø5	KR1 X1	L1 X1	S1 X10	I11 X4	H5 X1
D10 X14 USØ3,5x13	D11 X4 USØ3,5x25	D8 X4 ESØ5x13	B3 X5 Ø1,4x25	G2 X1	G8 X1 901mm

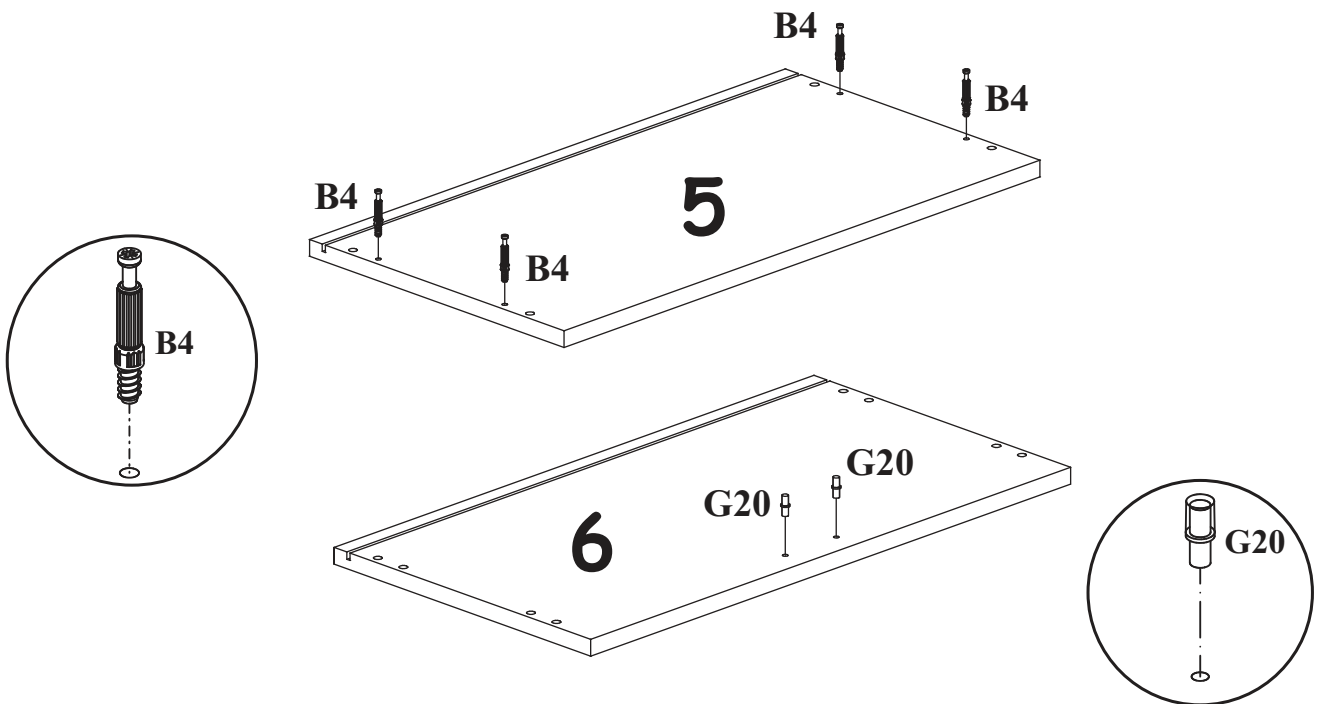


MARCO - TYP G _____ MC __ -G

1



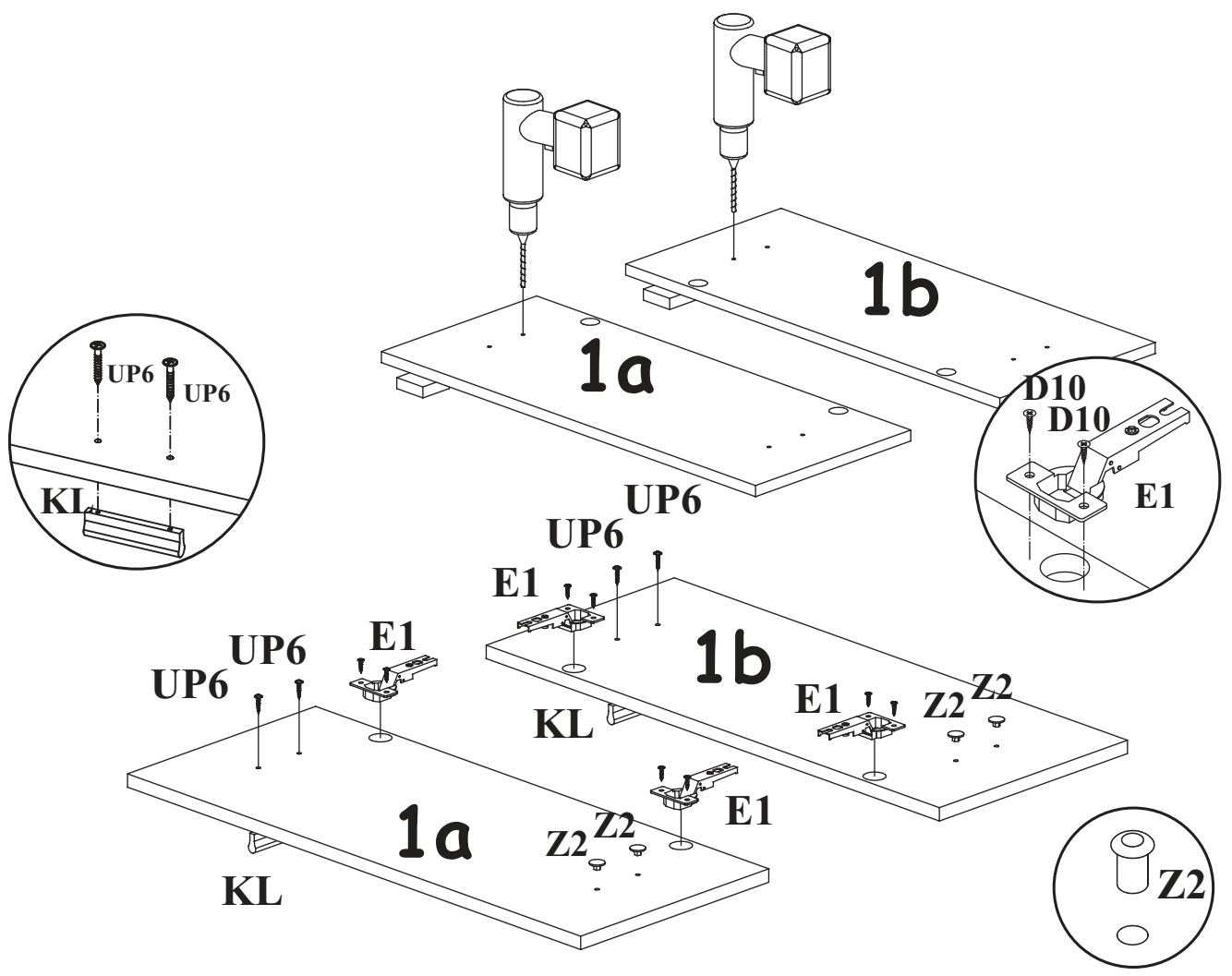
2



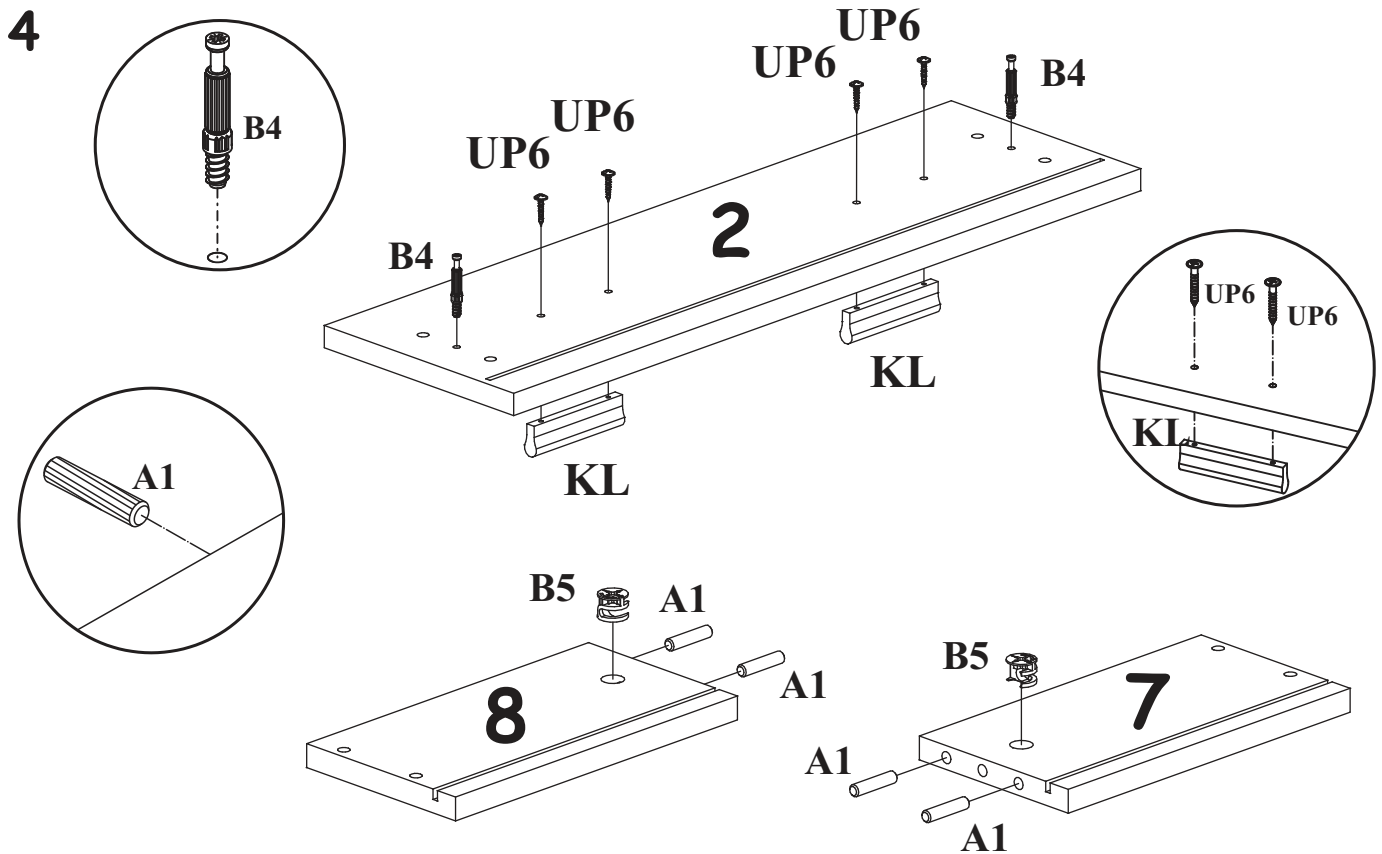
MARCO - TYP G

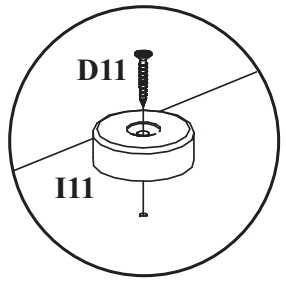
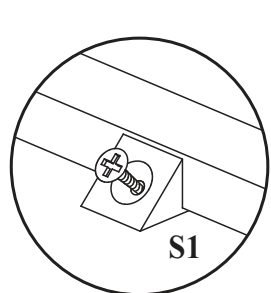
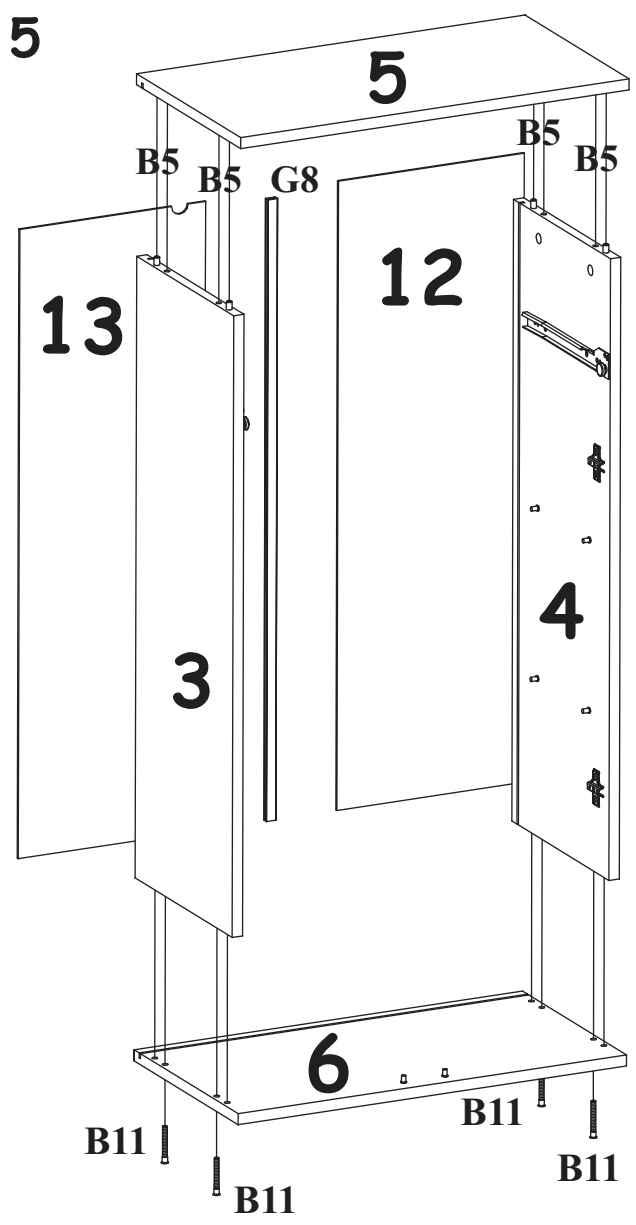
MC -G

3

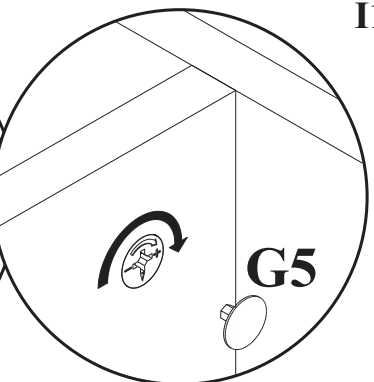
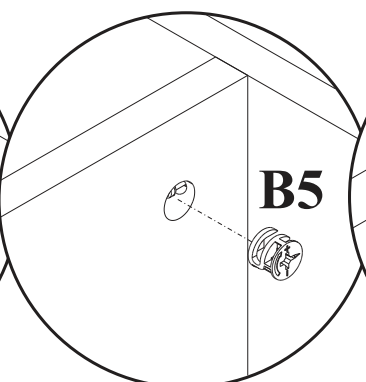
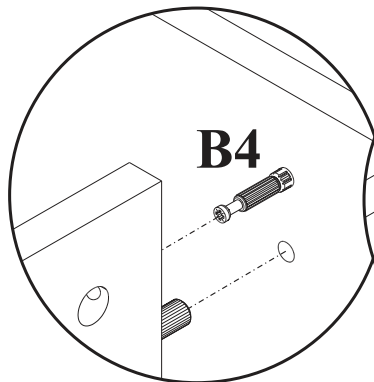
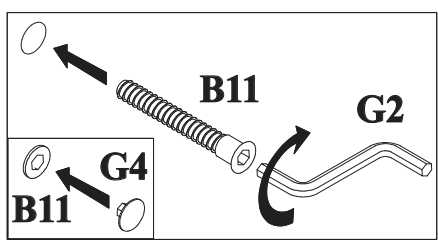
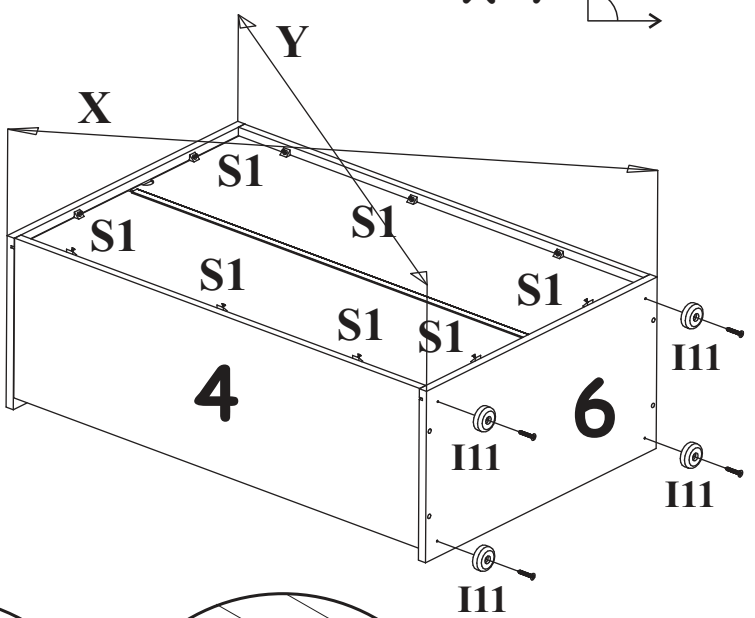


4

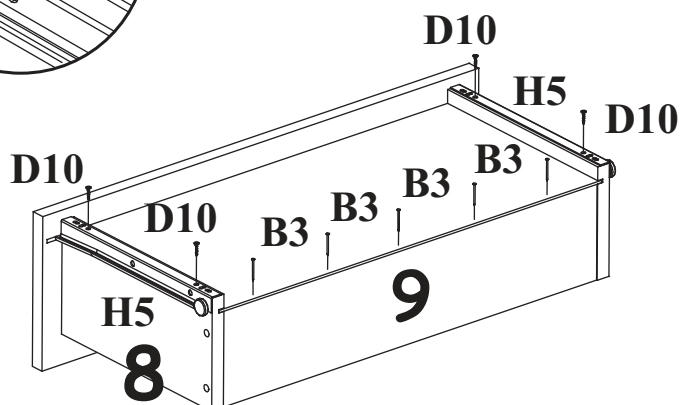
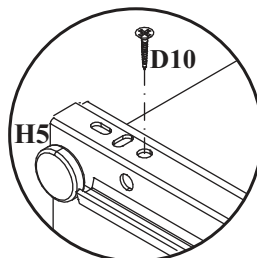
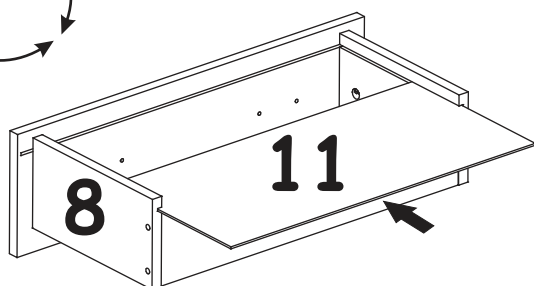
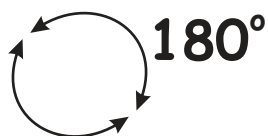
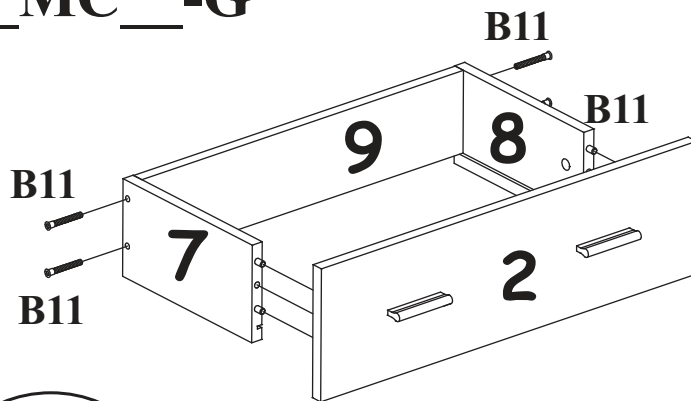
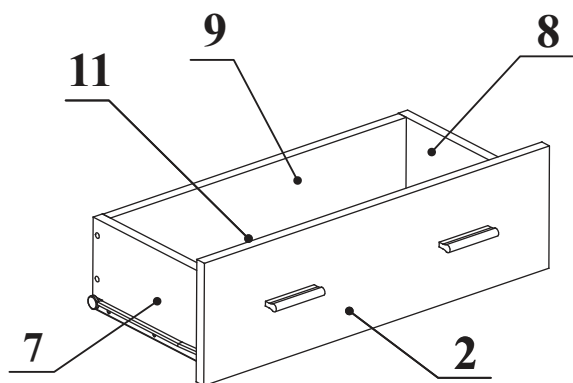




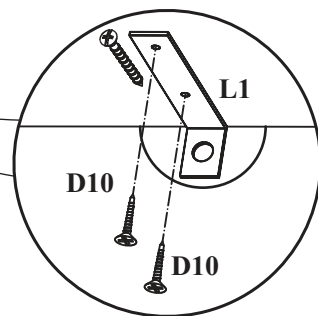
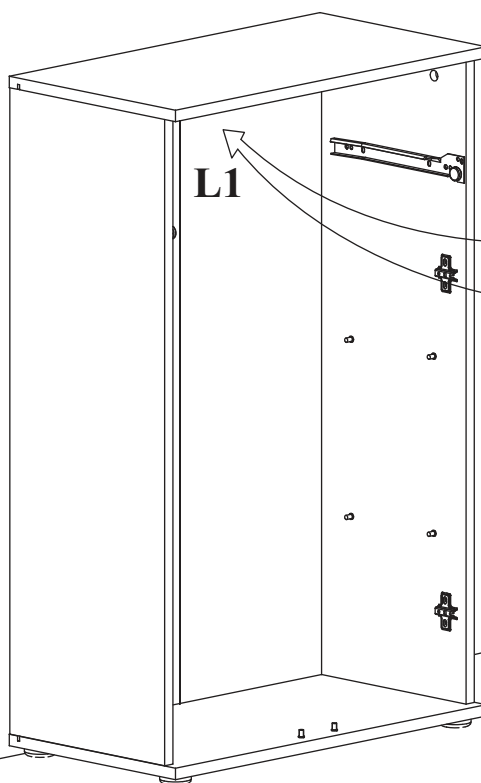
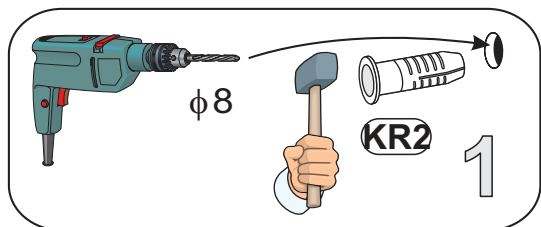
X=y 90°



6



7



8

