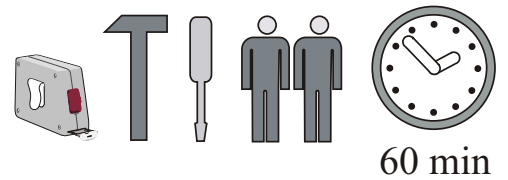
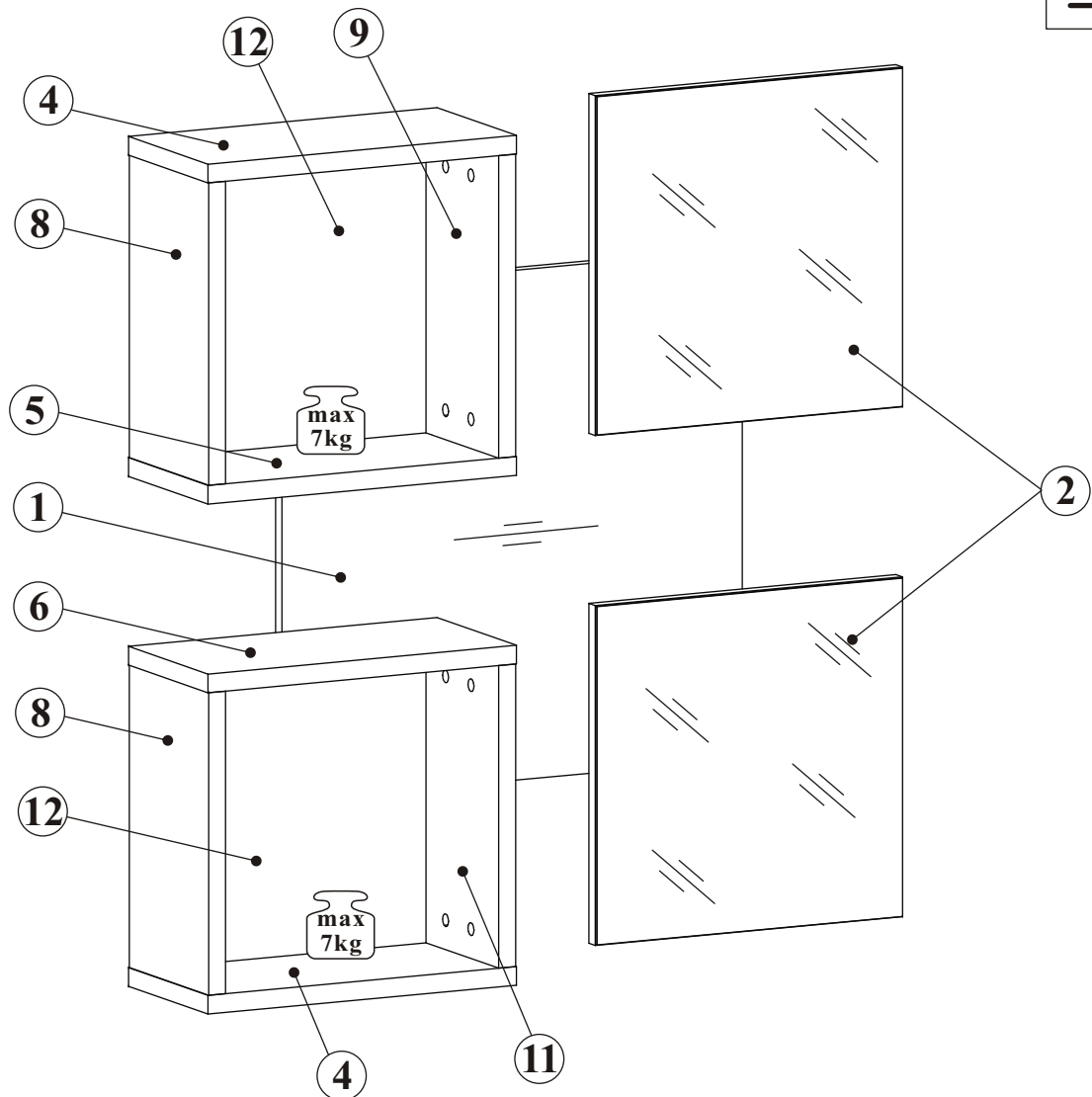
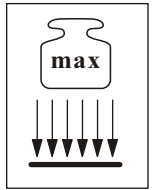


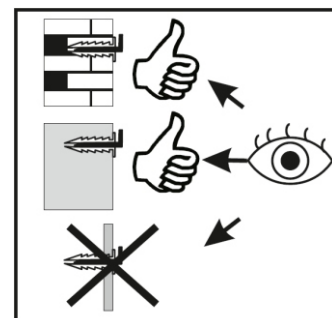
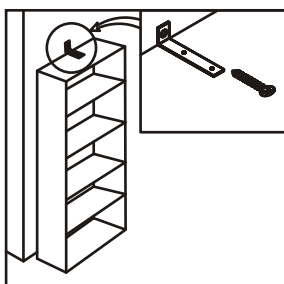
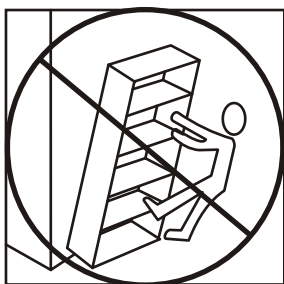
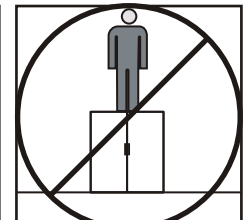
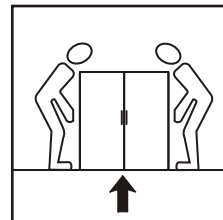
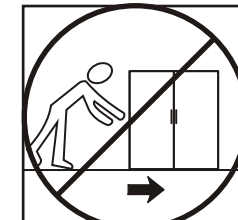
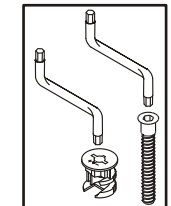
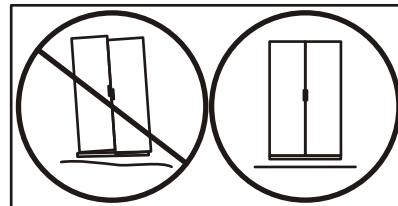
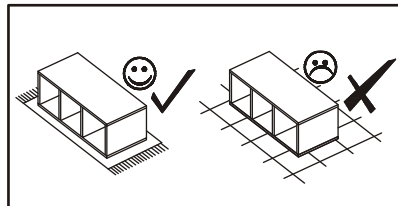
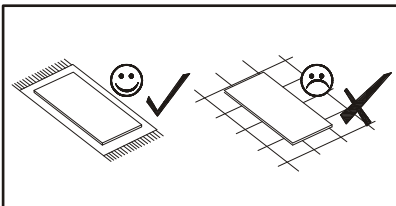
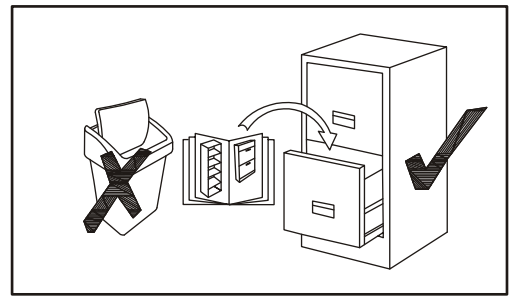
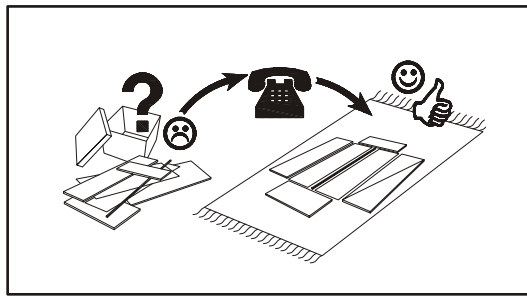
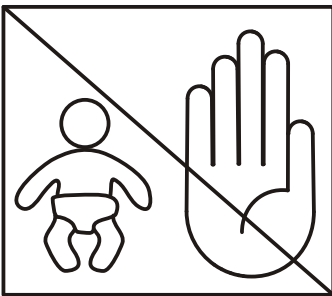
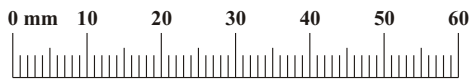
EASY 20_EY TYP 07

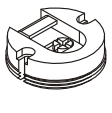



NO	Dim.			Col.-No	Qty
1	600	600	16	1	1
2	400	400	19	1	2
4	402	200	22	1	2
5	402	200	22	1	1
6	402	200	22	1	1
8	356	200	22	1	2
9	356	200	22	1	1
11	356	200	22	1	1
12	356	356	16	1	2

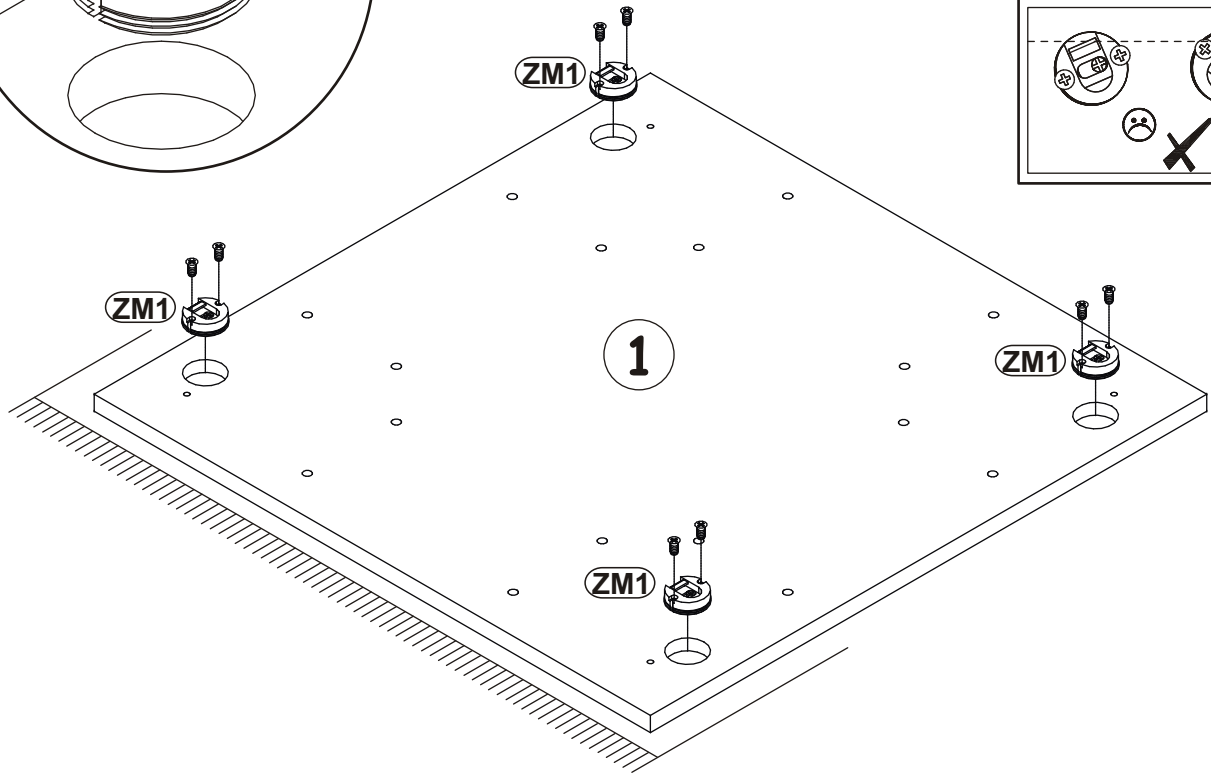
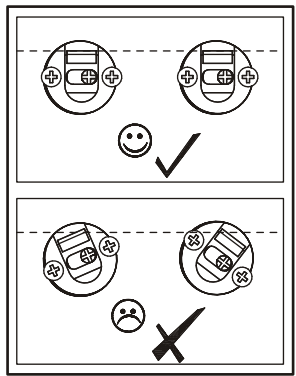
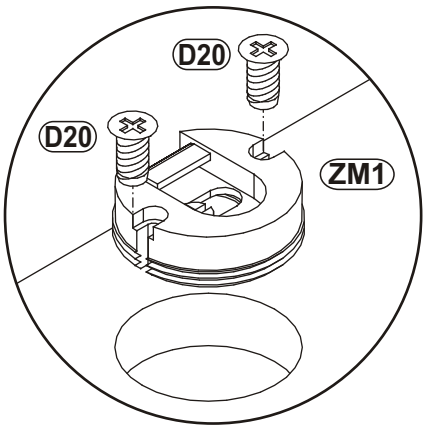
EASY 20_EY TYP 07

A1 x32 Ø8x36	B4 x32	B5 x16 Ø15x12	B16 x16 Ø15x16	G5 x32	UP6 x4 UPØ4x30
B13 x8 Ø7x70	B12 x8 Ø7x32	G4 x16	ZM1 x4	D20 x8 ESØ6x9,5	KR3 x4 Ø10
G2 x1					

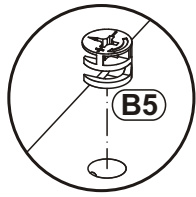


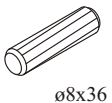

ZM1		D20	
x4		x8	ESØ6x9,5

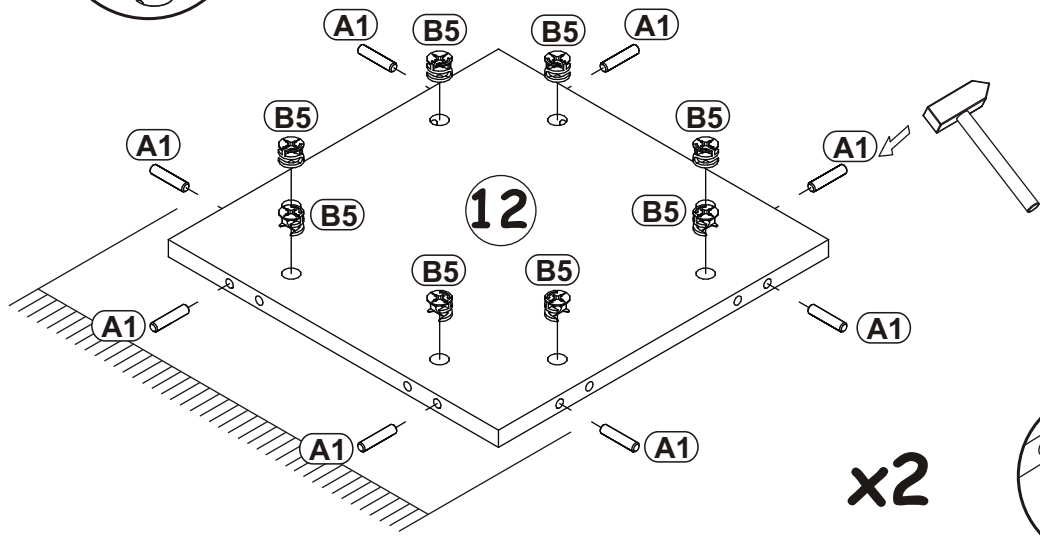
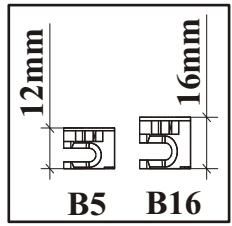
1



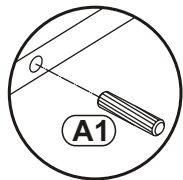
2



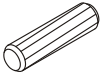
A1		B5	
x16	ø8x36	x16	Ø15x12

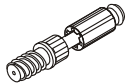



x2





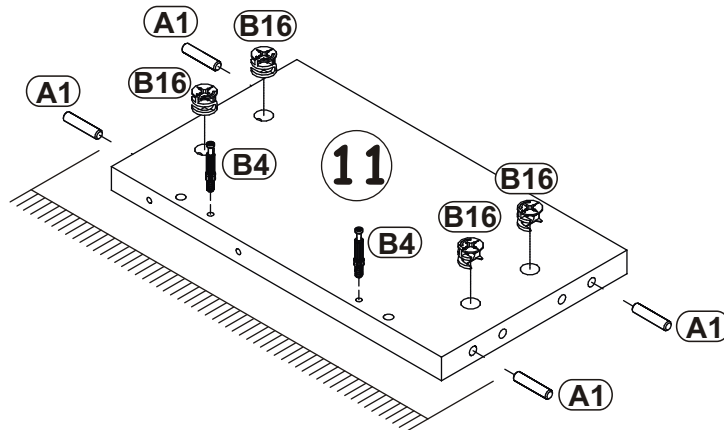
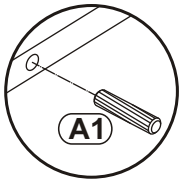
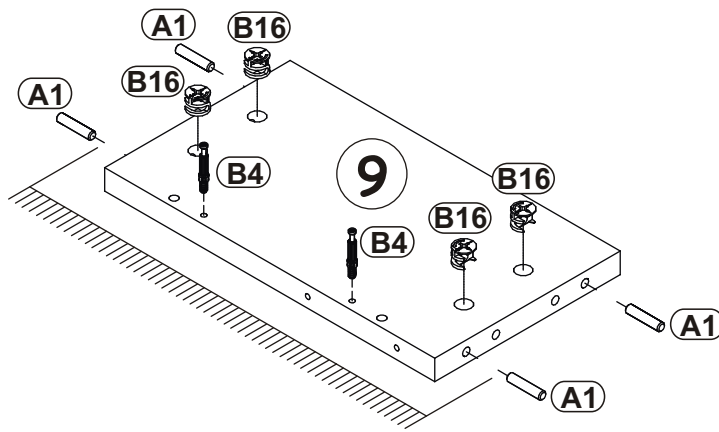
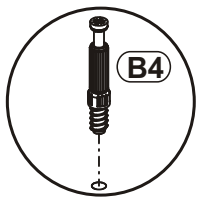
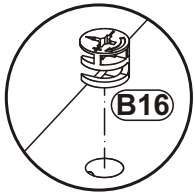
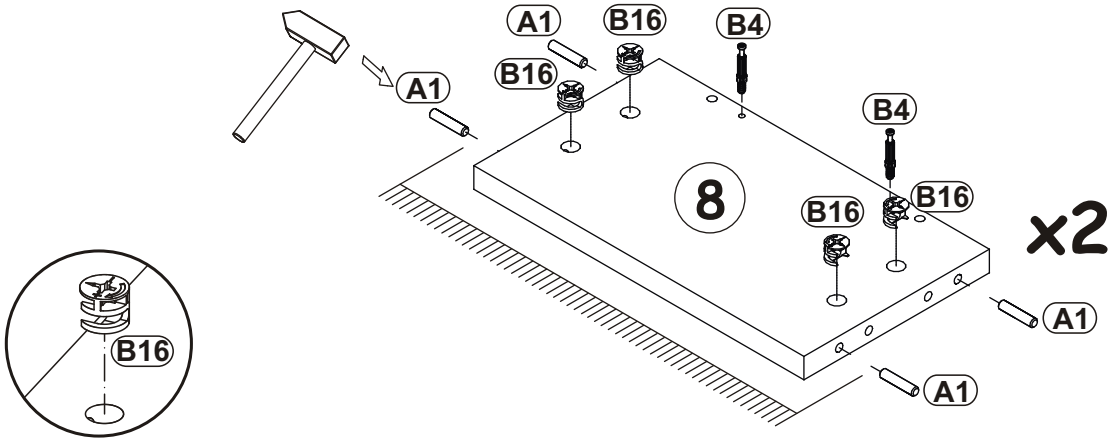
3

A1	
x16	∅8x36

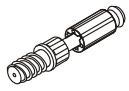
B4	
x8	

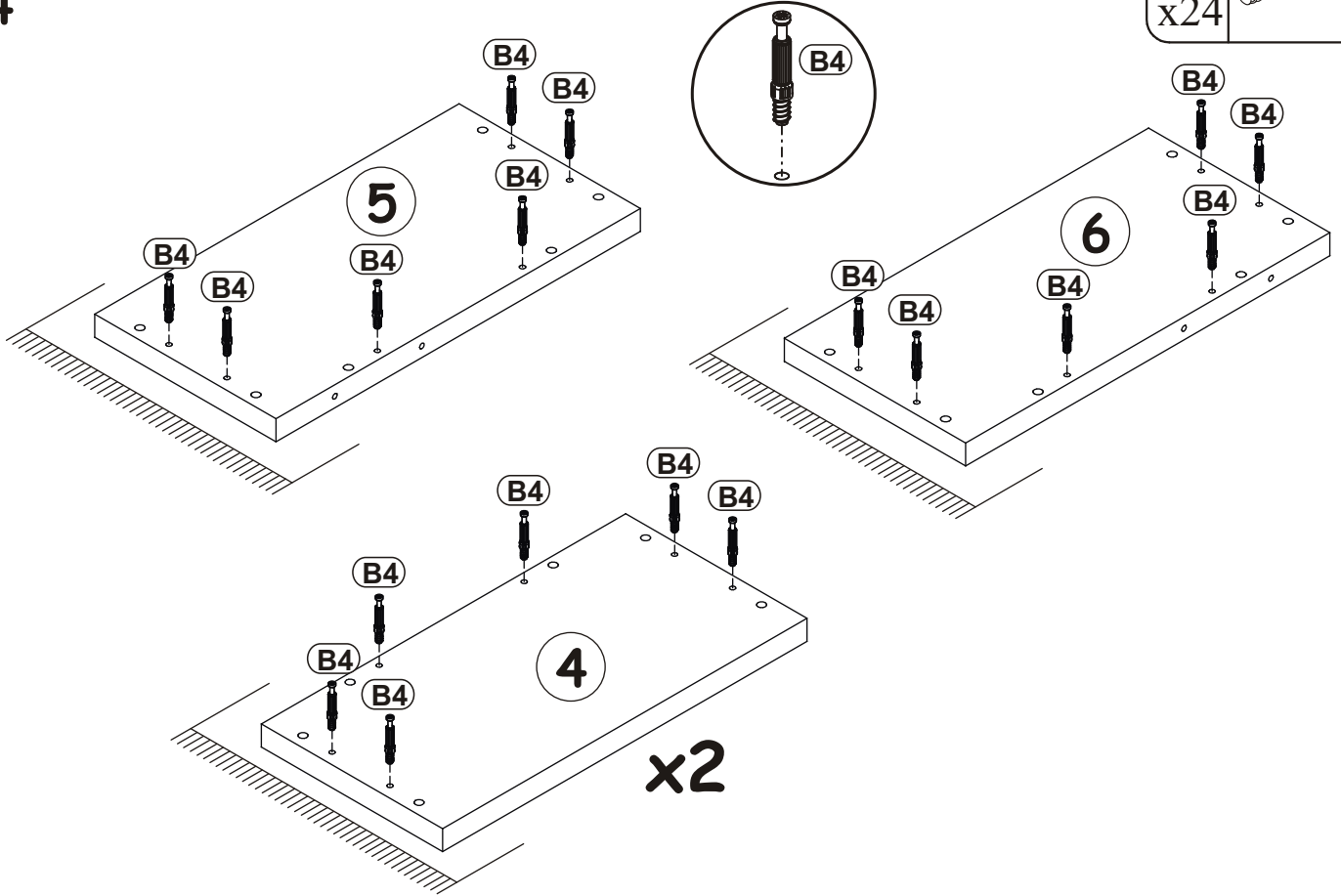
B16	
x16	∅15x16

12mm		16mm	
	B5		B16




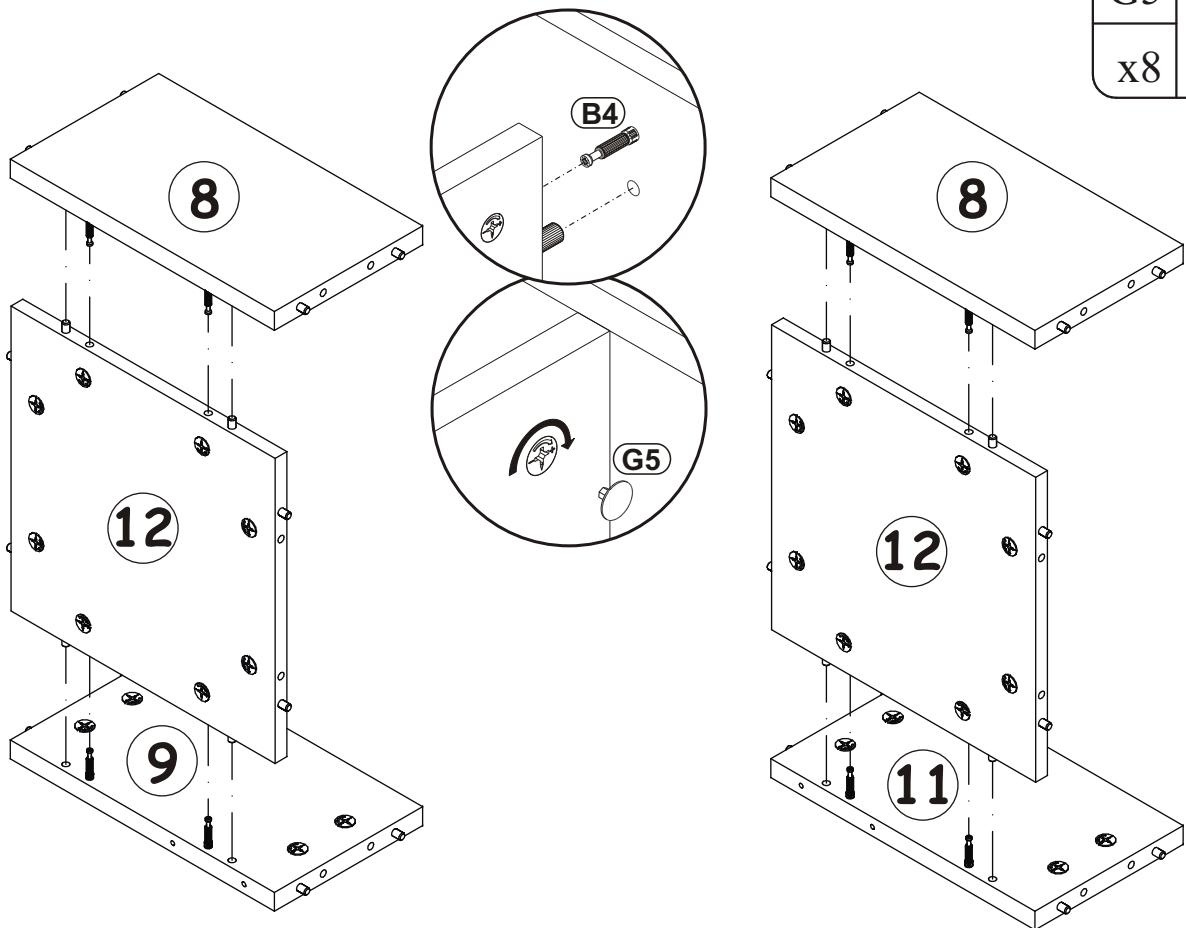
4

B4	
x24	



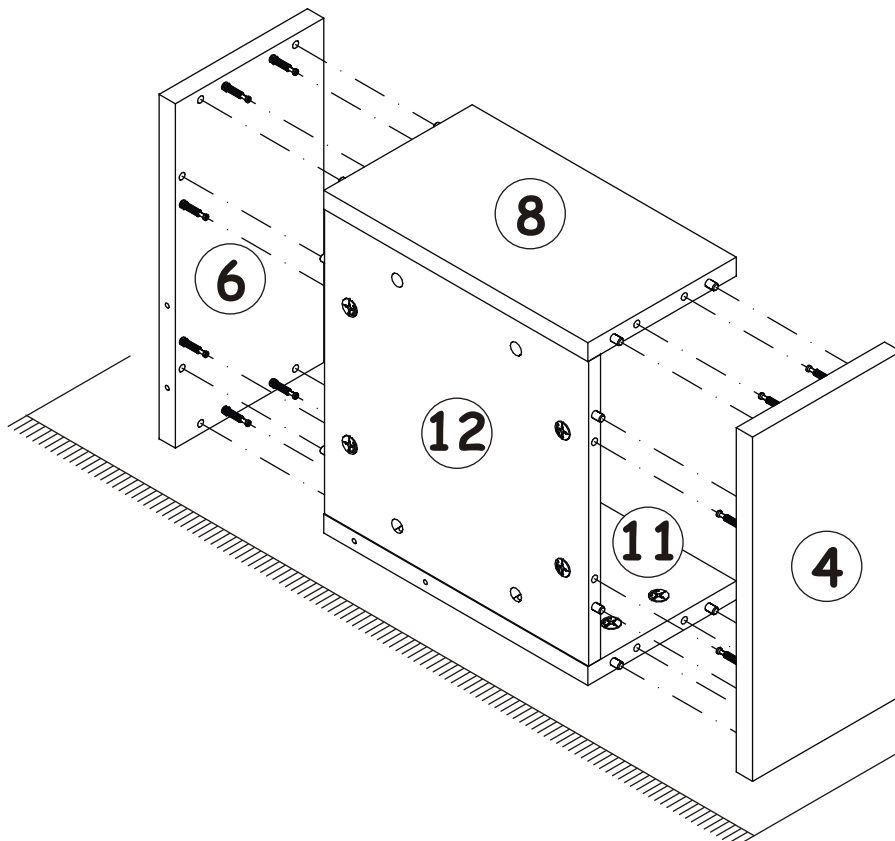
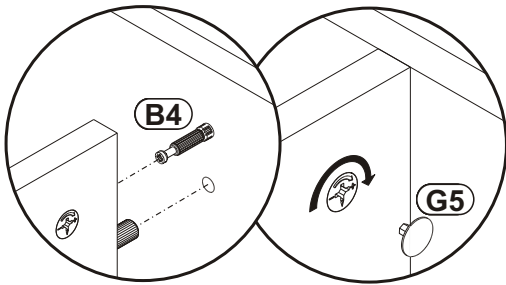
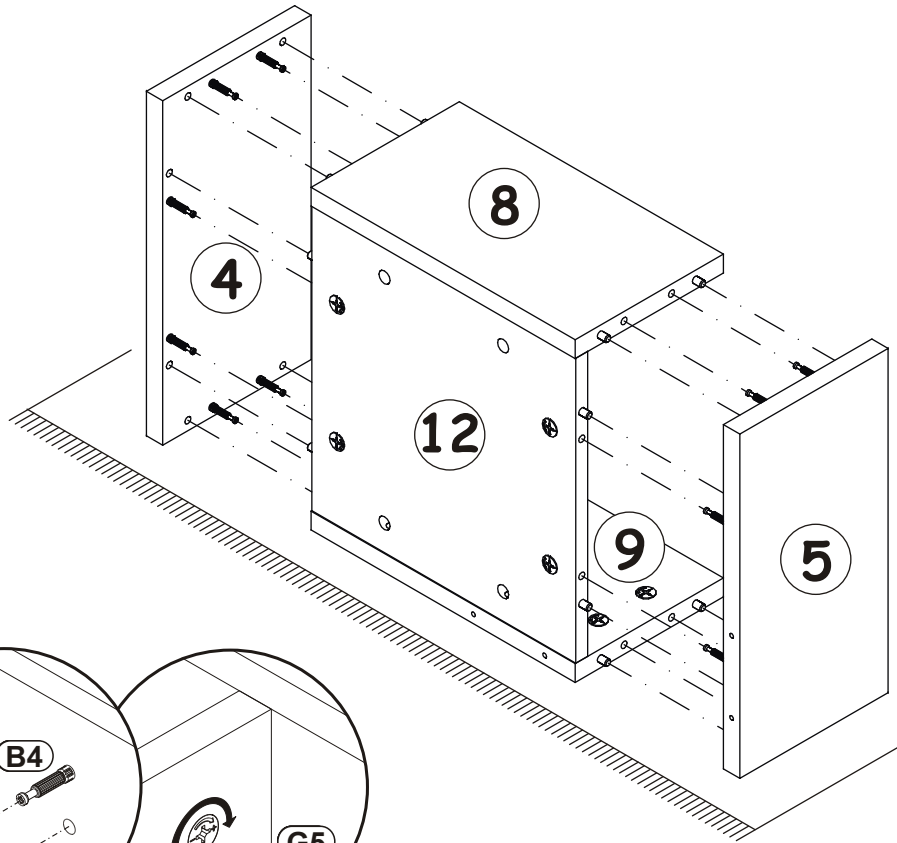
5

G5	
x8	

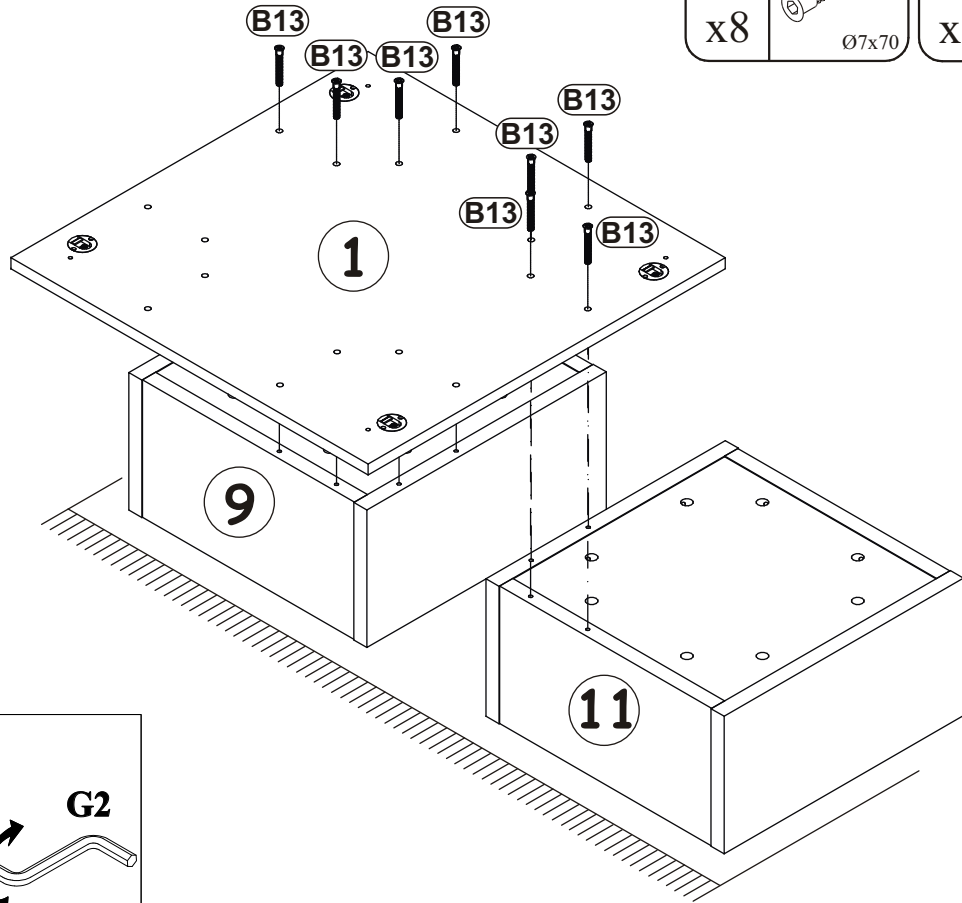






6

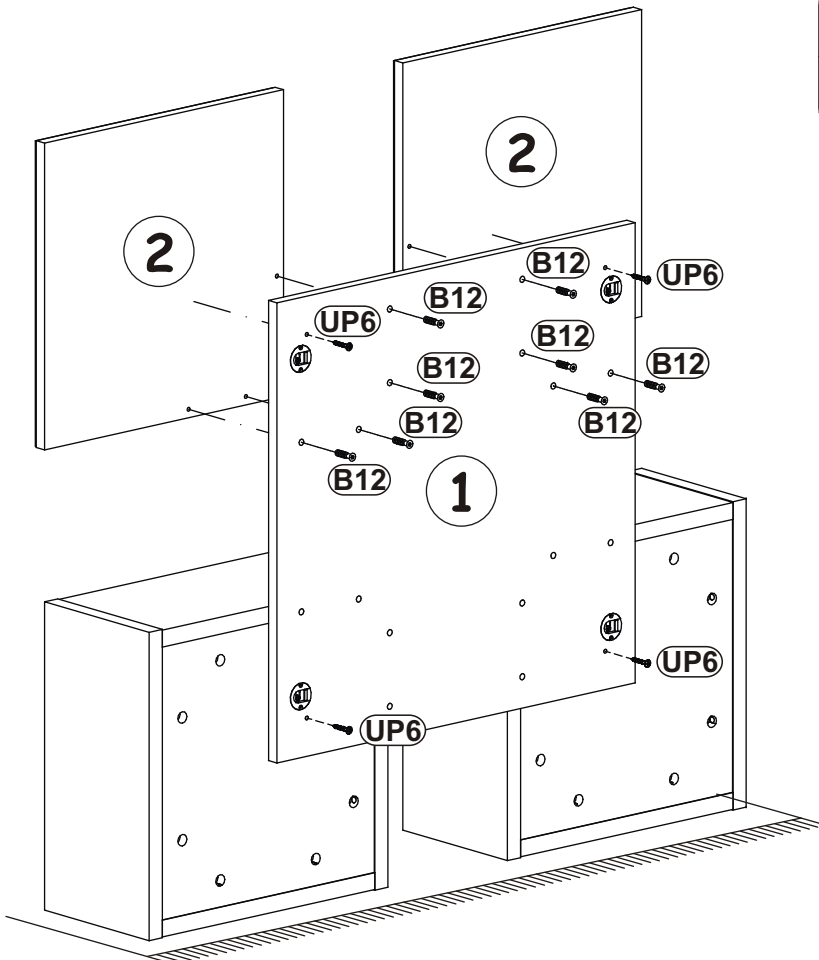





7

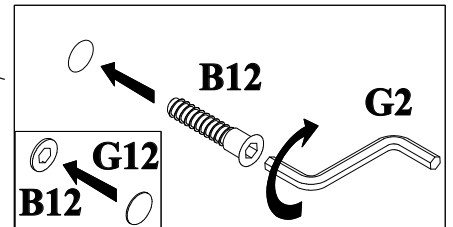


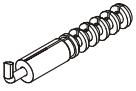
B13		G4	
x8	Ø7x70	x8	

8

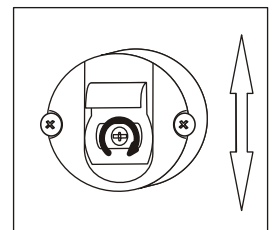
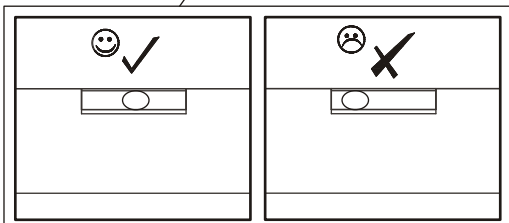
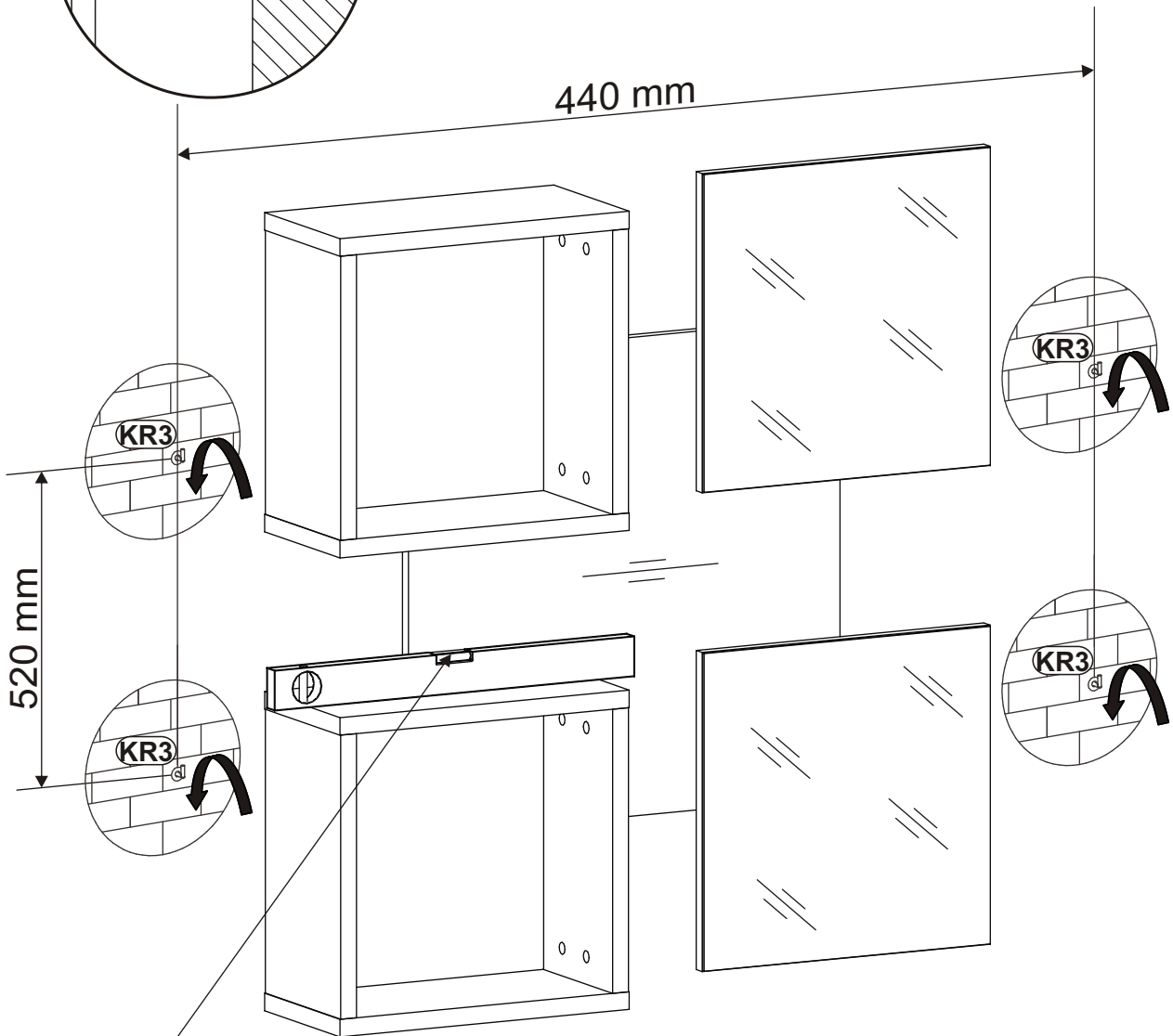
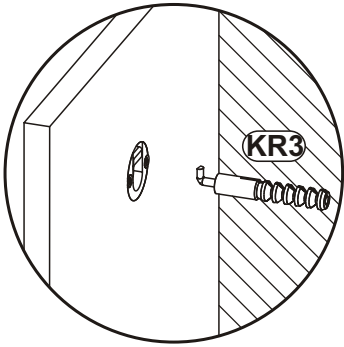
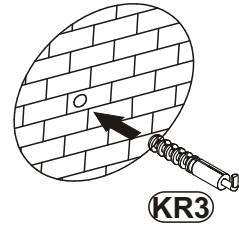
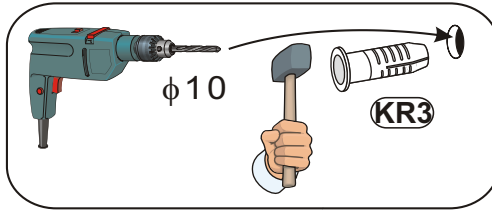
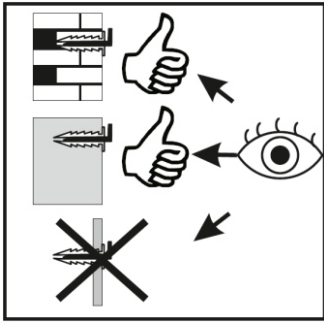


B12		G4	
x8	Ø7x32	x8	
UP6			
x4	UPØ4x30		

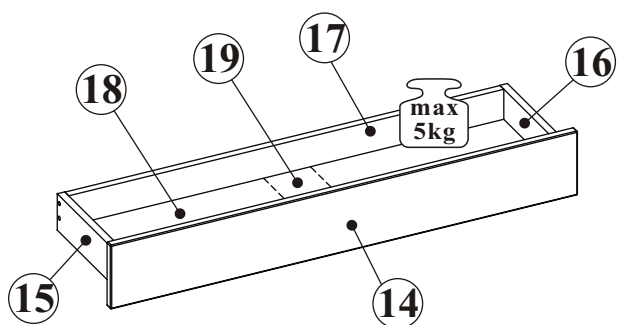
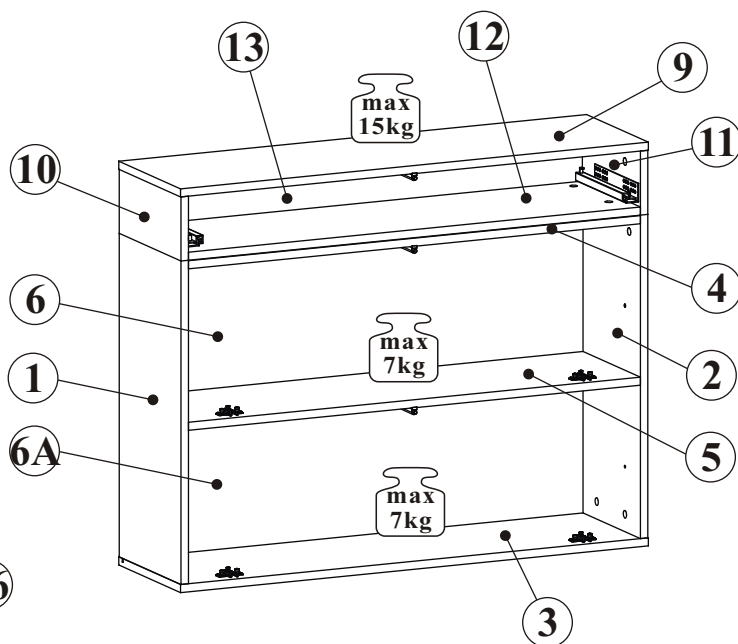
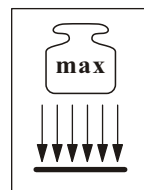
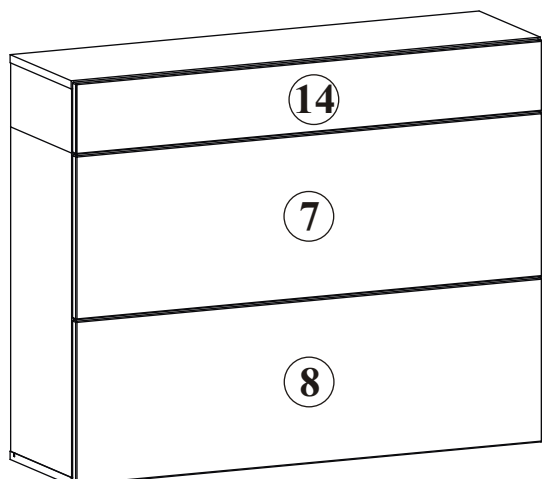


KR3	
x4	Ø10

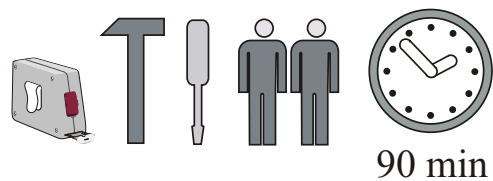
9



EASY 20_EY TYP 09

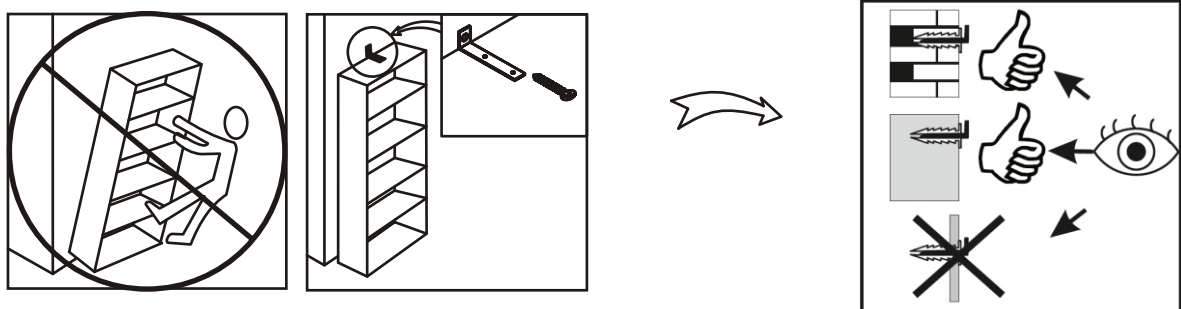
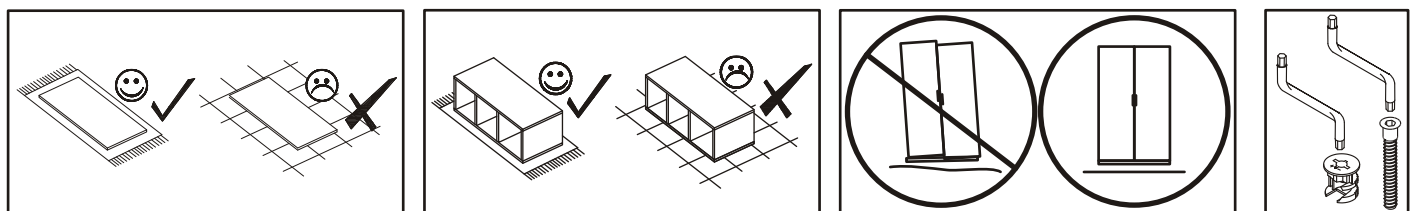
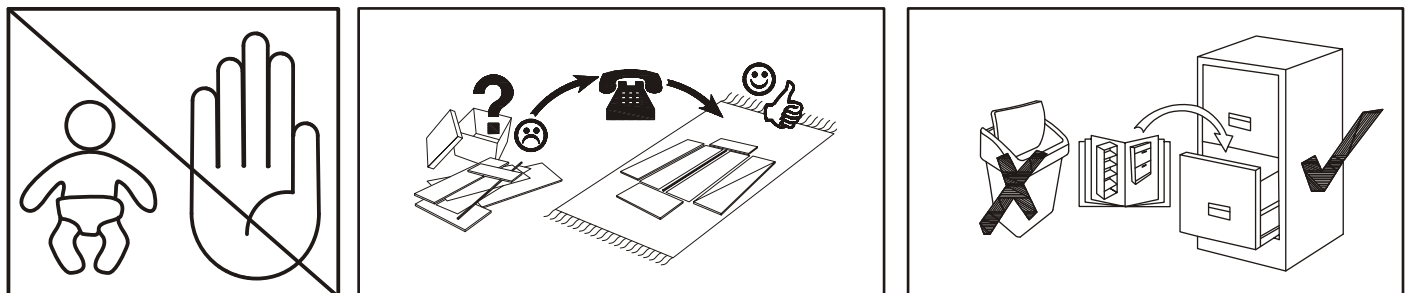
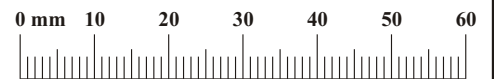


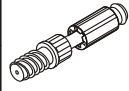
NO	Dim.			Col.-No	Qty
1	641	280	16	1 / 2.	1
2	641	280	16	1 / 2.	1
3	1002	280	16	1 / 2.	1
4	968	260	16	1 / 2.	1
5	968	260	16	1 / 2.	1
6	980	326	3	1 / 2.	1
6A	980	318	3	1 / 2.	1
7	996	324	16	1 / 2.	1
8	996	324	16	1 / 2.	1
9	1002	280	16	2 / 2.	1
10	127	280	16	2 / 2.	1
11	127	280	16	2 / 2.	1
12	968	280	16	2 / 2.	1
13	968	111	16	2 / 2.	1
14	996	140	16	2 / 2.	1
15	250	80	16	2 / 2.	1
16	250	80	16	2 / 2.	1
17	928	66	16	2 / 2.	1
18	254	940	3	2 / 2.	1
19	250	100	16	2 / 2.	1



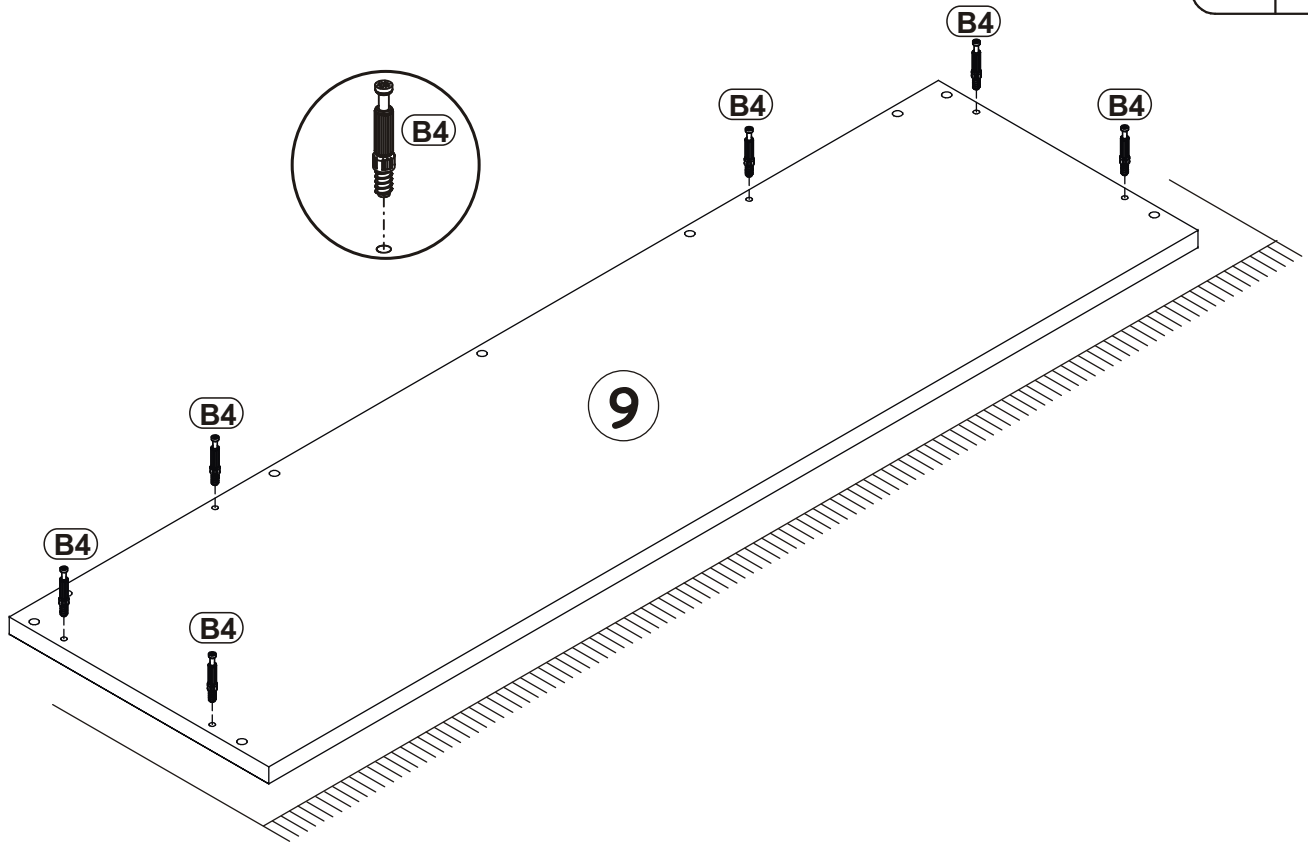
EASY 20_EY TYP 09

A1 x34 ø8x36	A3 x4 ø8x47	B4 x26	B5 x34 ø15x12	G5 x34	B6 x4 ø7x76
E21 x2 ø35 H=0	E23 x2 ø35 H=8	E2 x4 H=0	D10 x36 USØ3,5x13	BO1 x4	OD1 x2
QU x1 L-250mm	D20 x4 ESØ6x9,5	UP6 x2 UPØ4x30	KR3 x2 ø10	B11 x4 ø7x50	G4 x4
ZXL x1	ZXP x1	S1 x12	G16 x4	UP13 x16 UPØ3x16	G2 x1

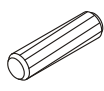
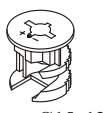
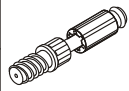


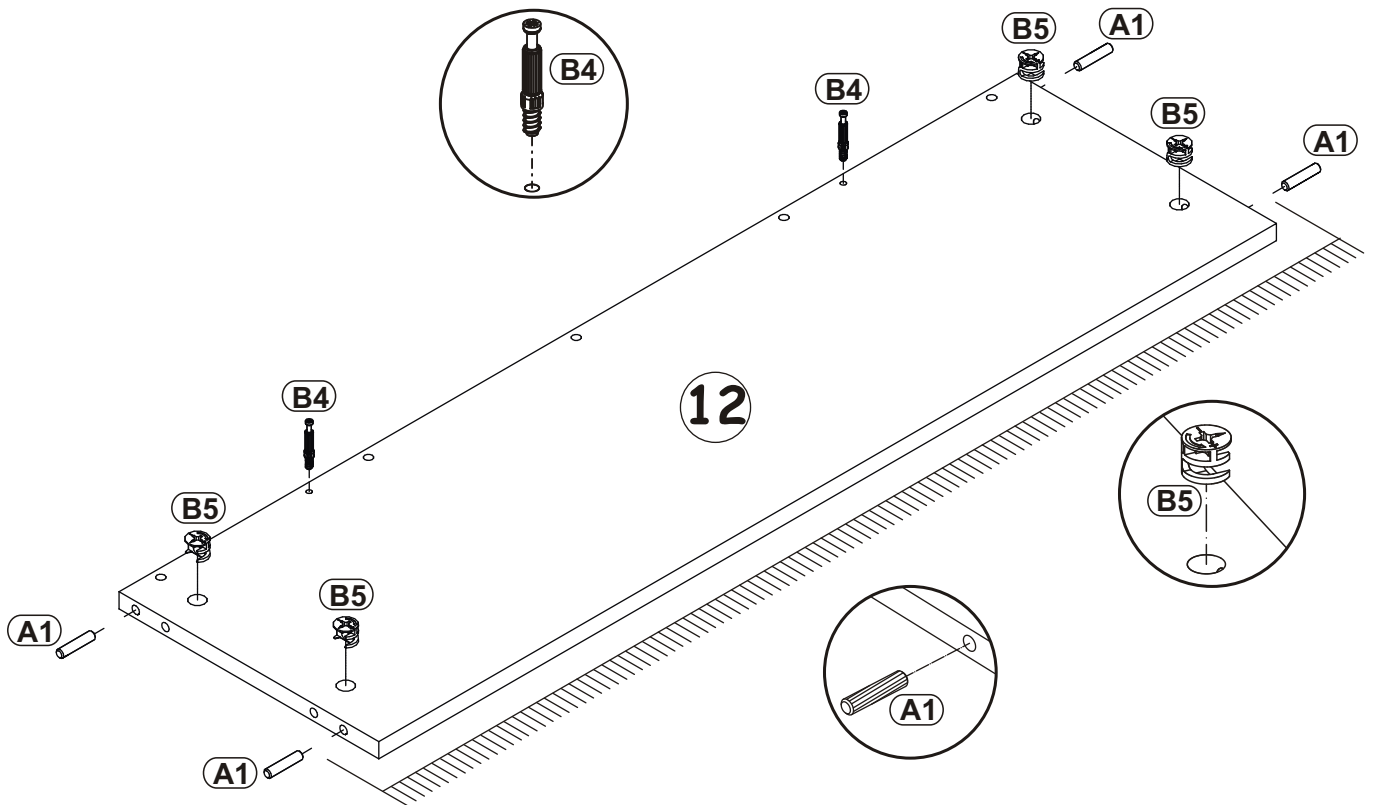
B4	
x6	

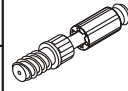
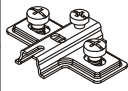
1



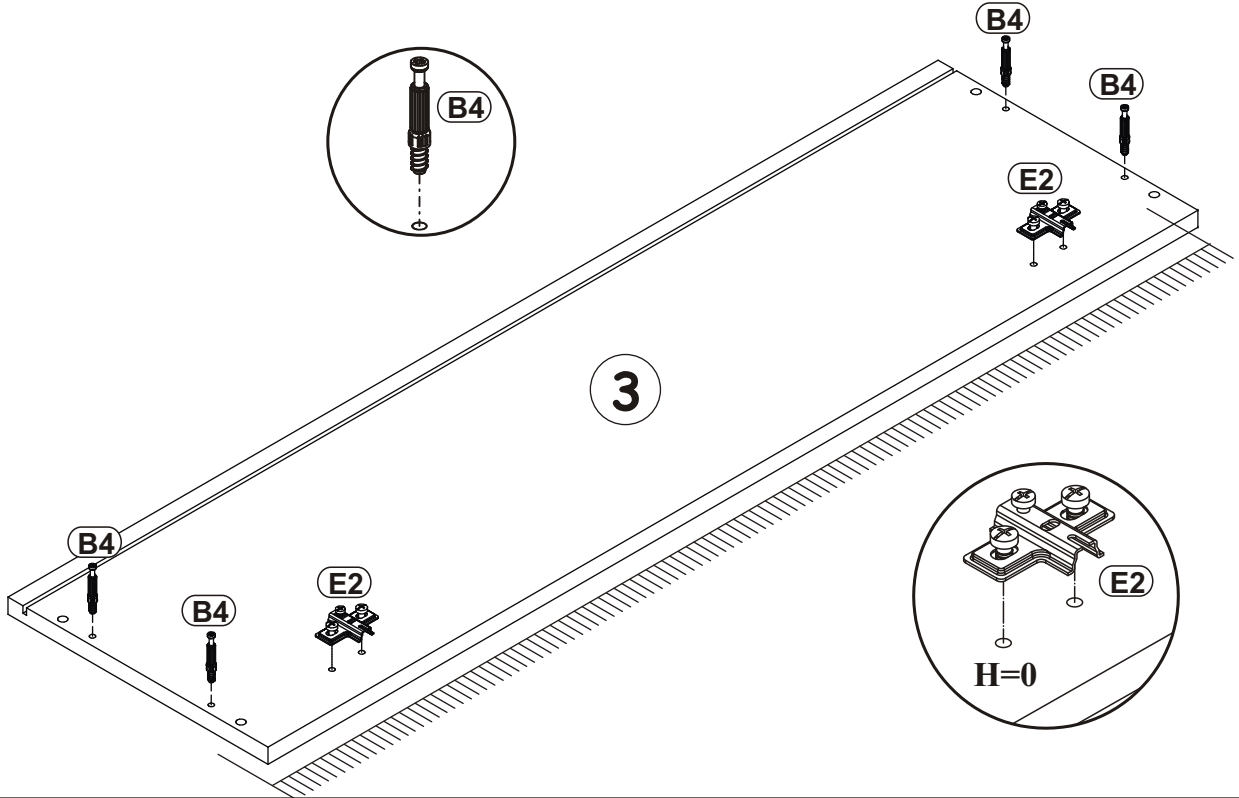
2

A1		B5		B4	
x4	ø8x36	x4	Ø15x12	x2	

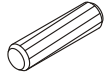
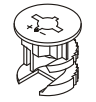


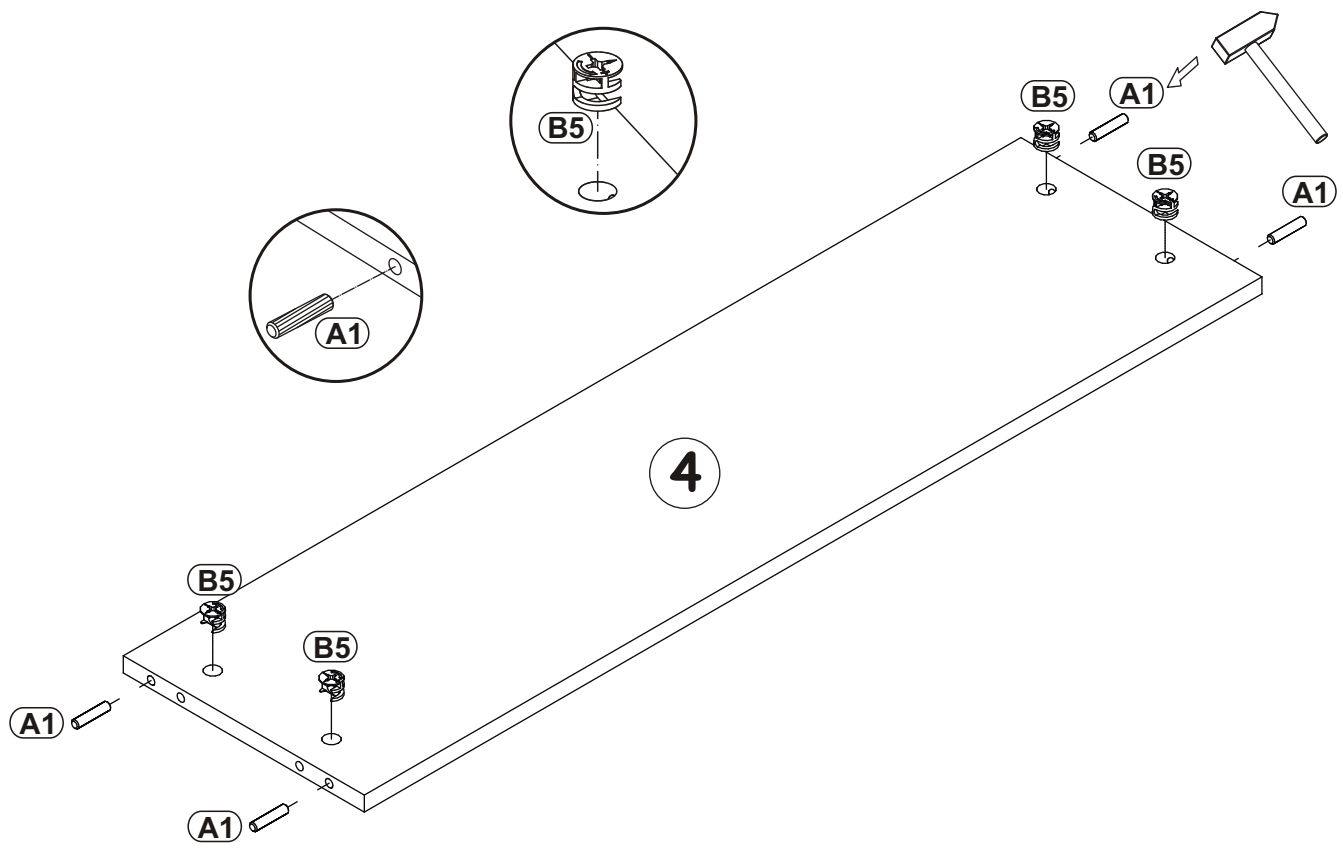
B4		E2	
x4		x2	H=0

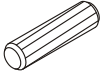
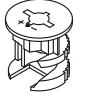
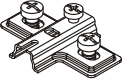
3



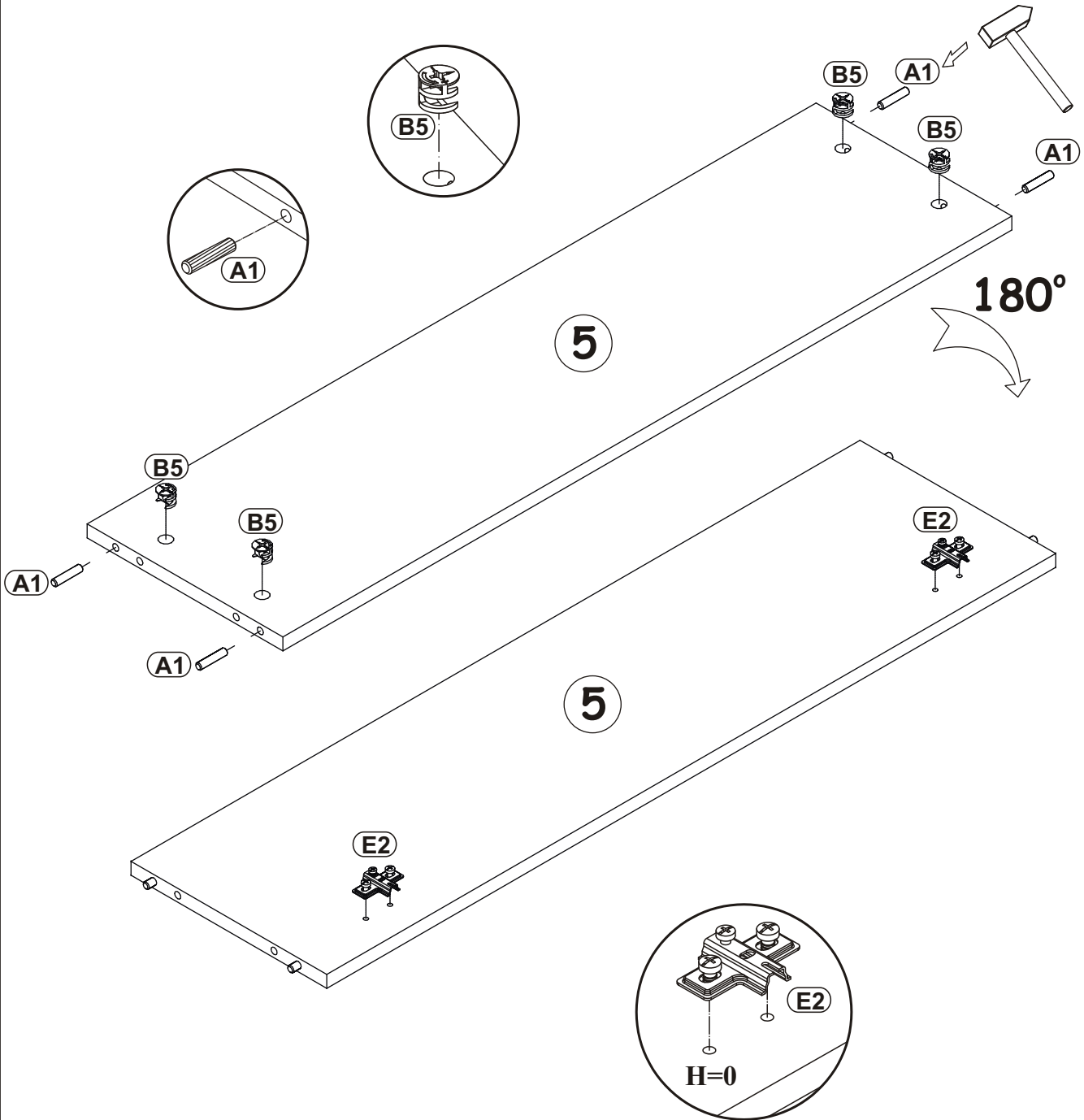
4

A1		B5	
x4	ø8x36	x4	Ø15x12

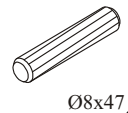
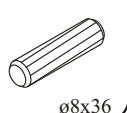
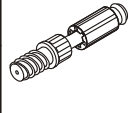
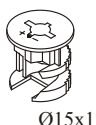
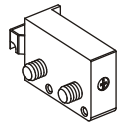
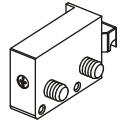


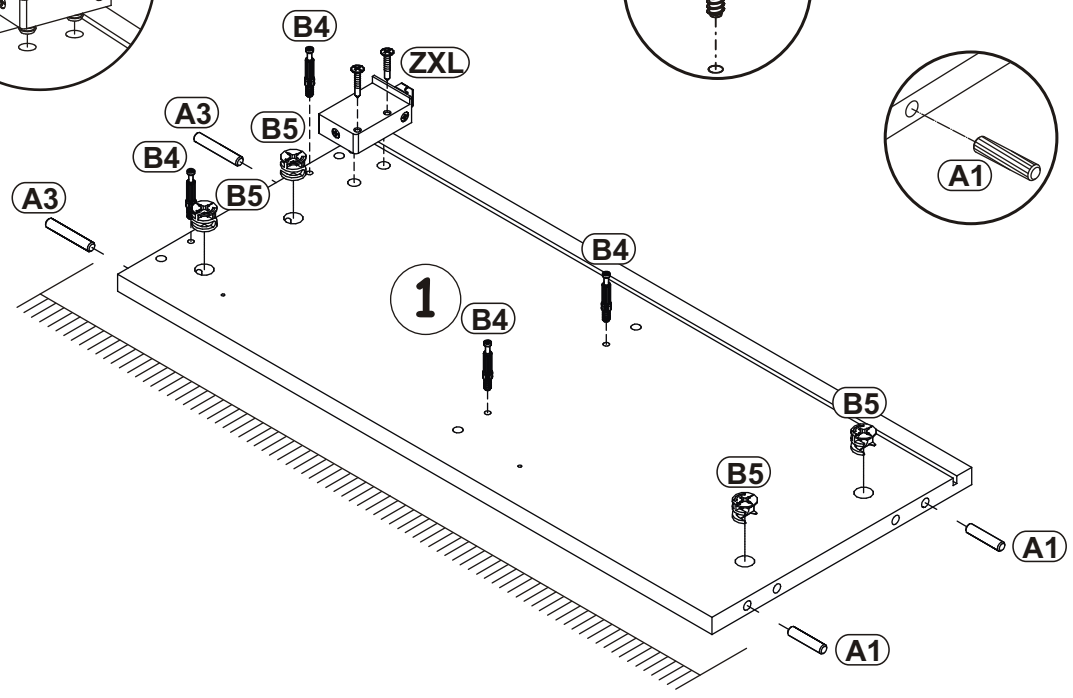
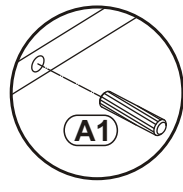
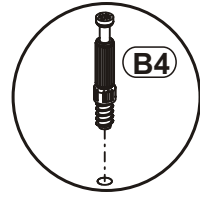
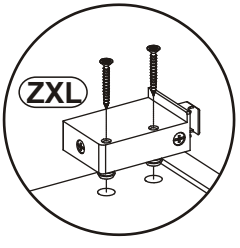
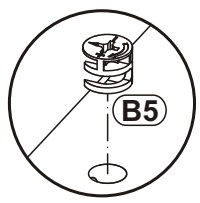
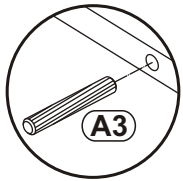
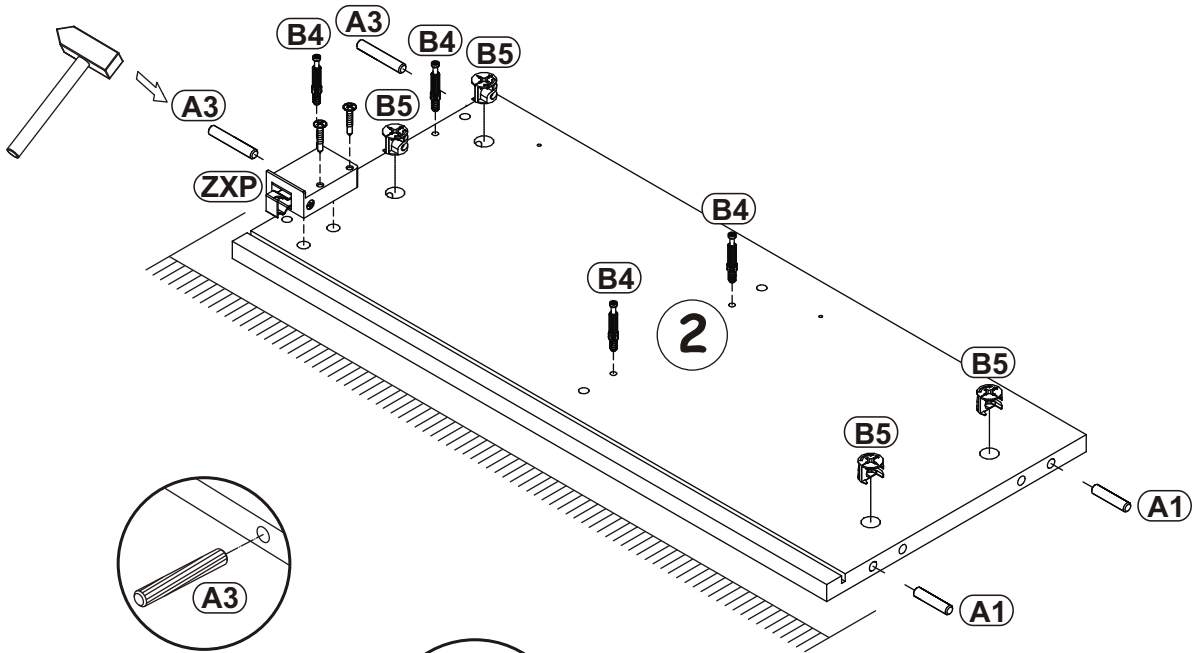
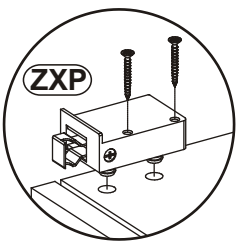
A1		B5		E2	
x4	ø8x36	x4	Ø15x12	x2	H=0

5



6

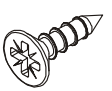
A3 x4	 Ø8x47	A1 x4	 ø8x36	B4 x8	
B5 x8	 Ø15x12	ZXL x1		ZXP x1	

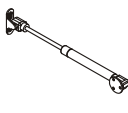


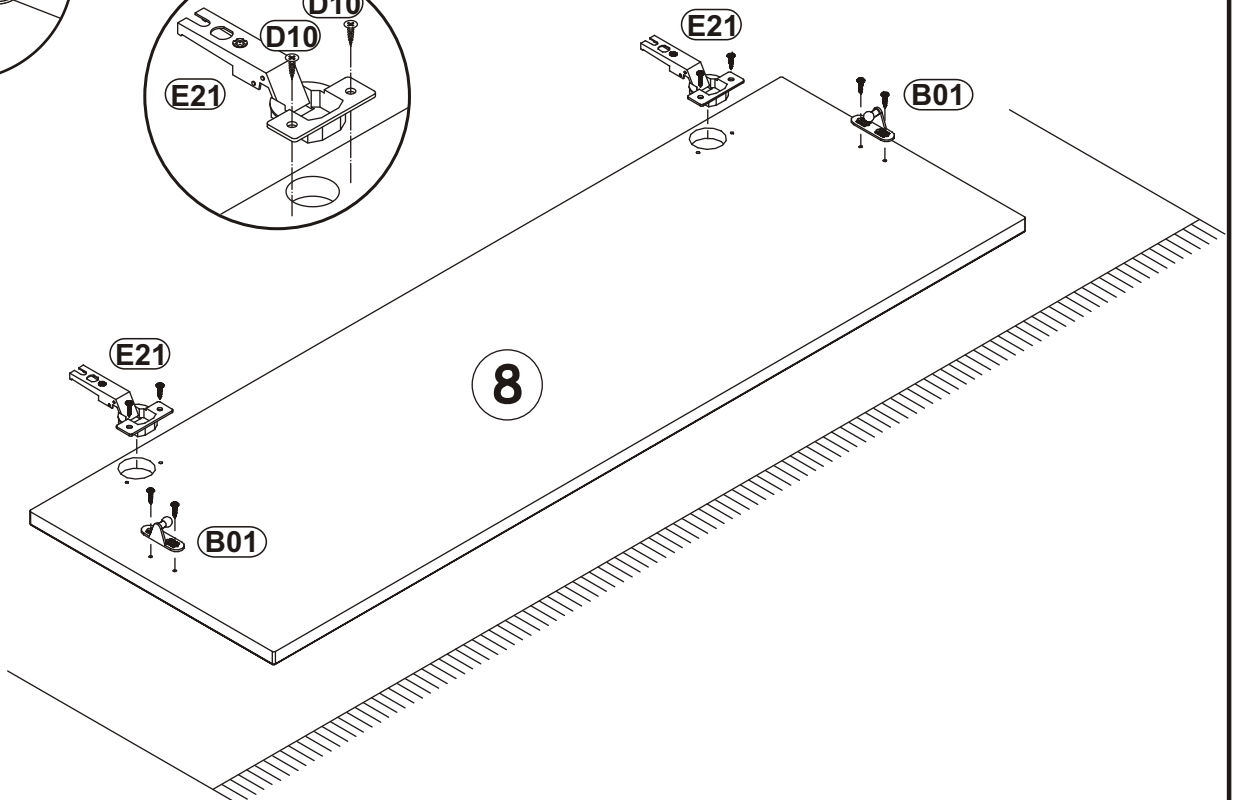
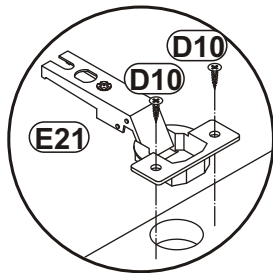
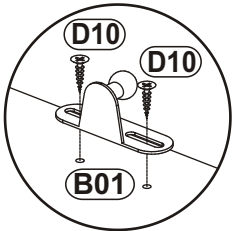
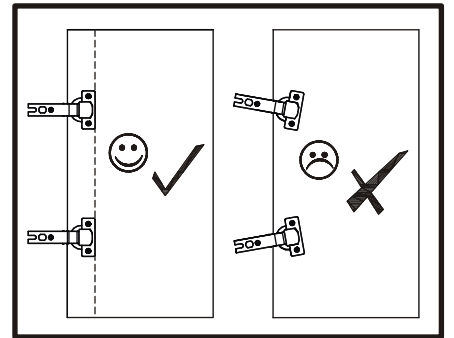
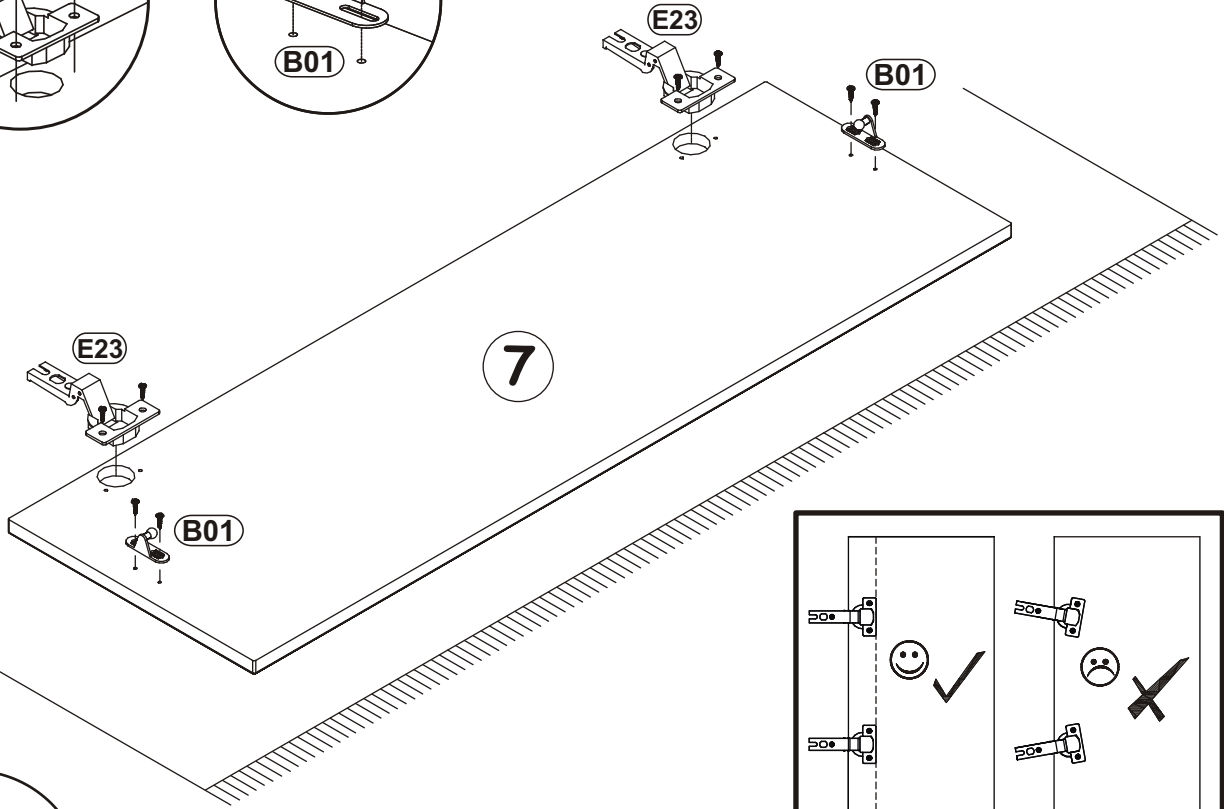
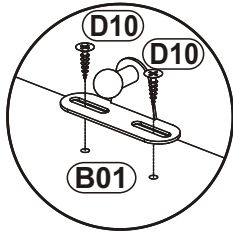
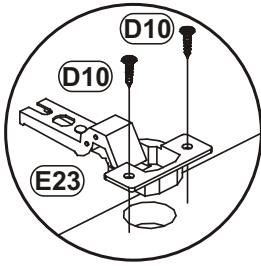
7

E21	Ø35
x2	H=0

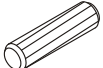

E23	Ø35
x2	H=8

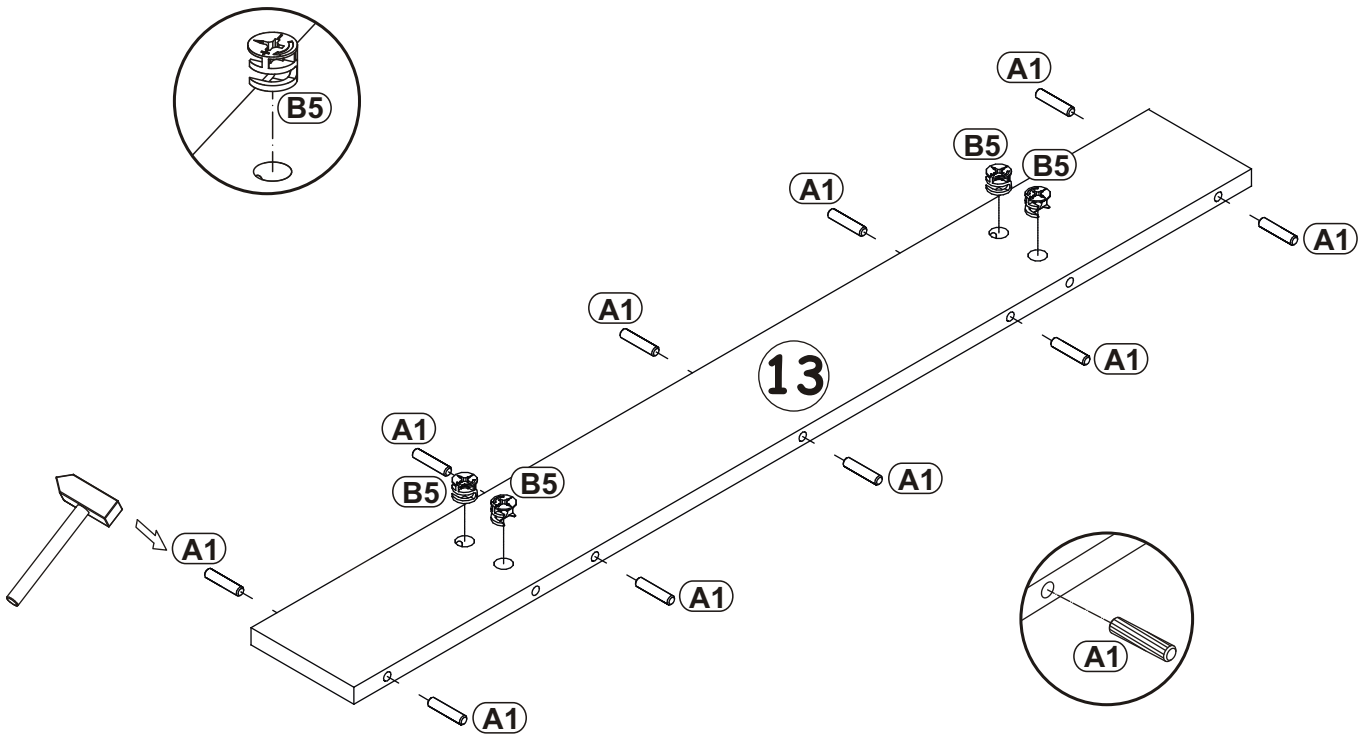
D10	
x16	USØ3,5x13

B01	
x4	

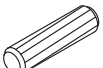
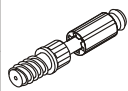



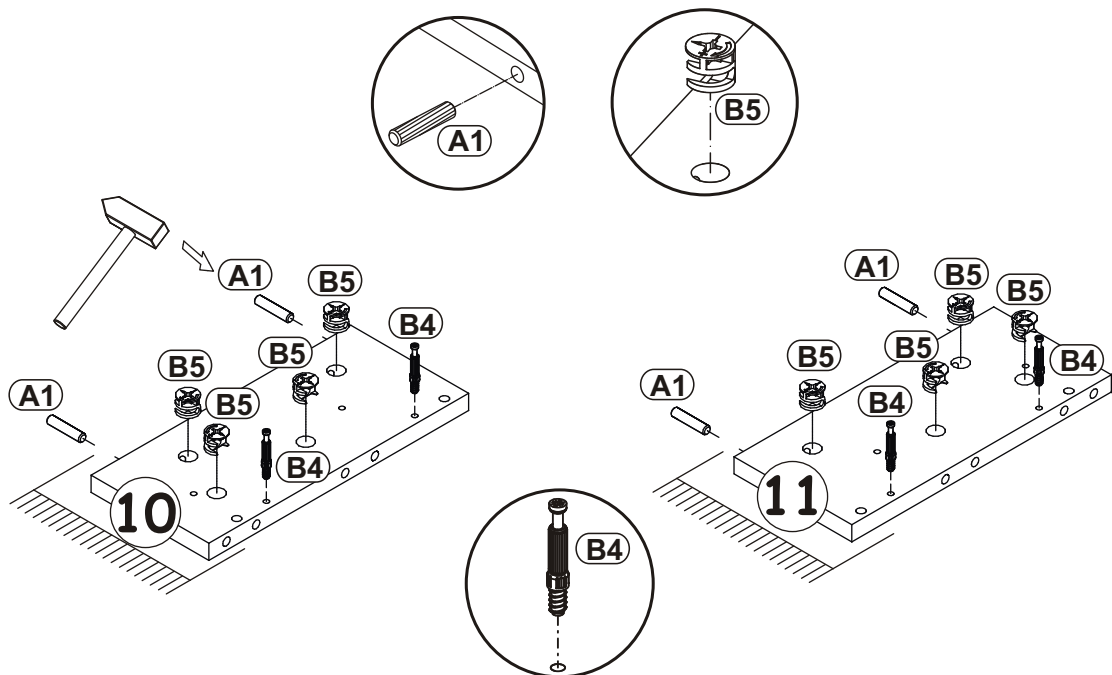
8

A1		B5	
x10	ø8x36	x4	Ø15x12

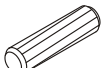



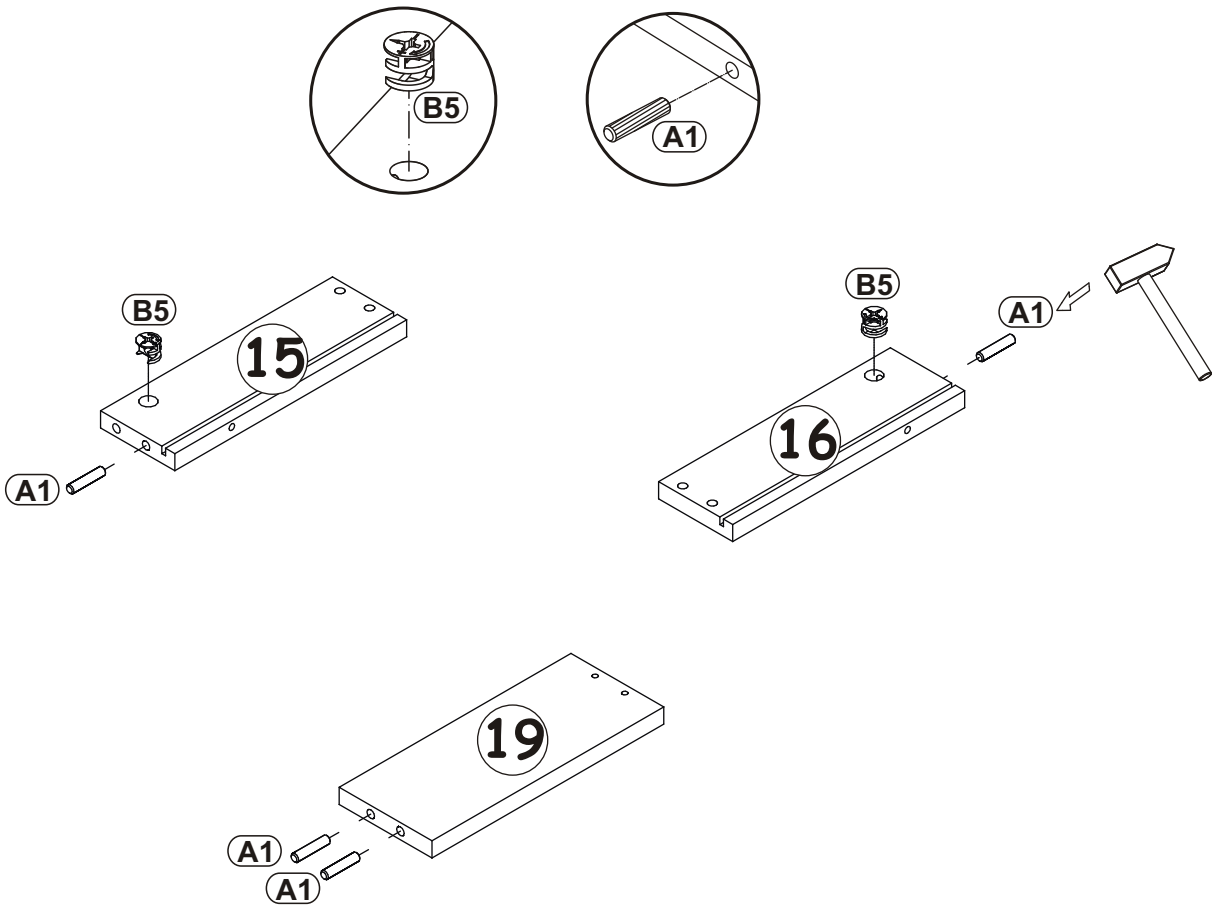
9

A1		B4		B5	
x4	ø8x36	x4		x8	Ø15x12

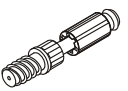


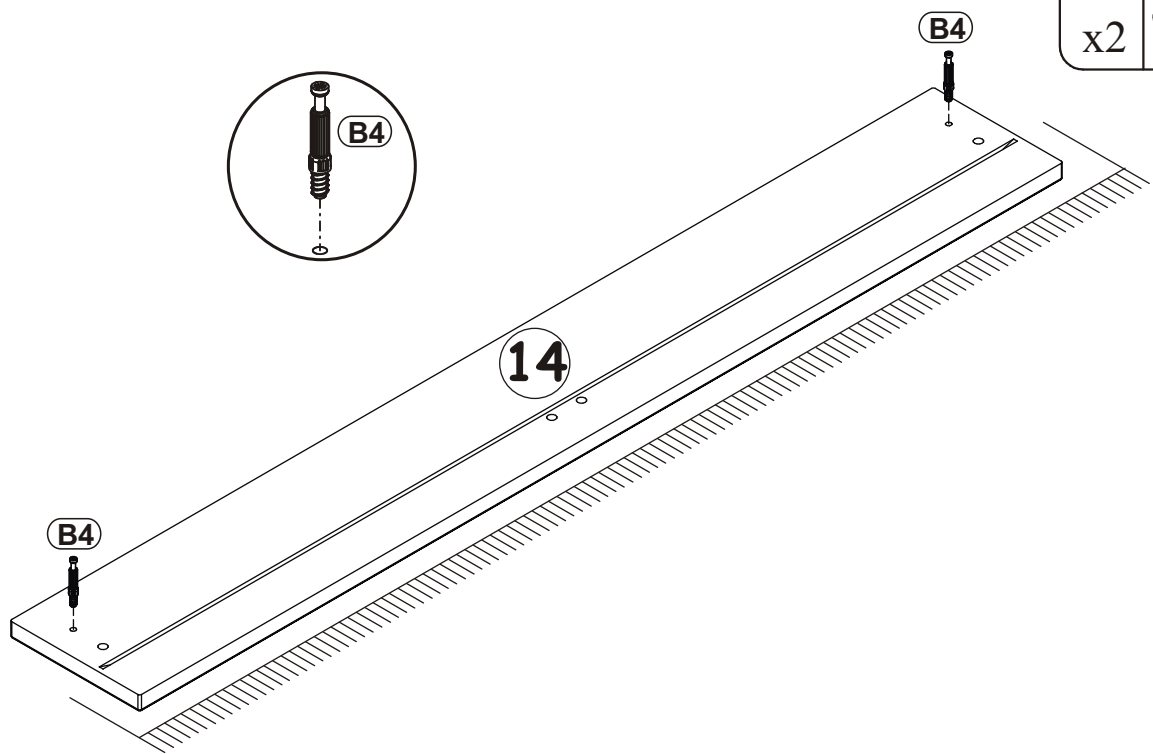
10

A1		B5	
x4	ø8x36	x2	Ø15x12





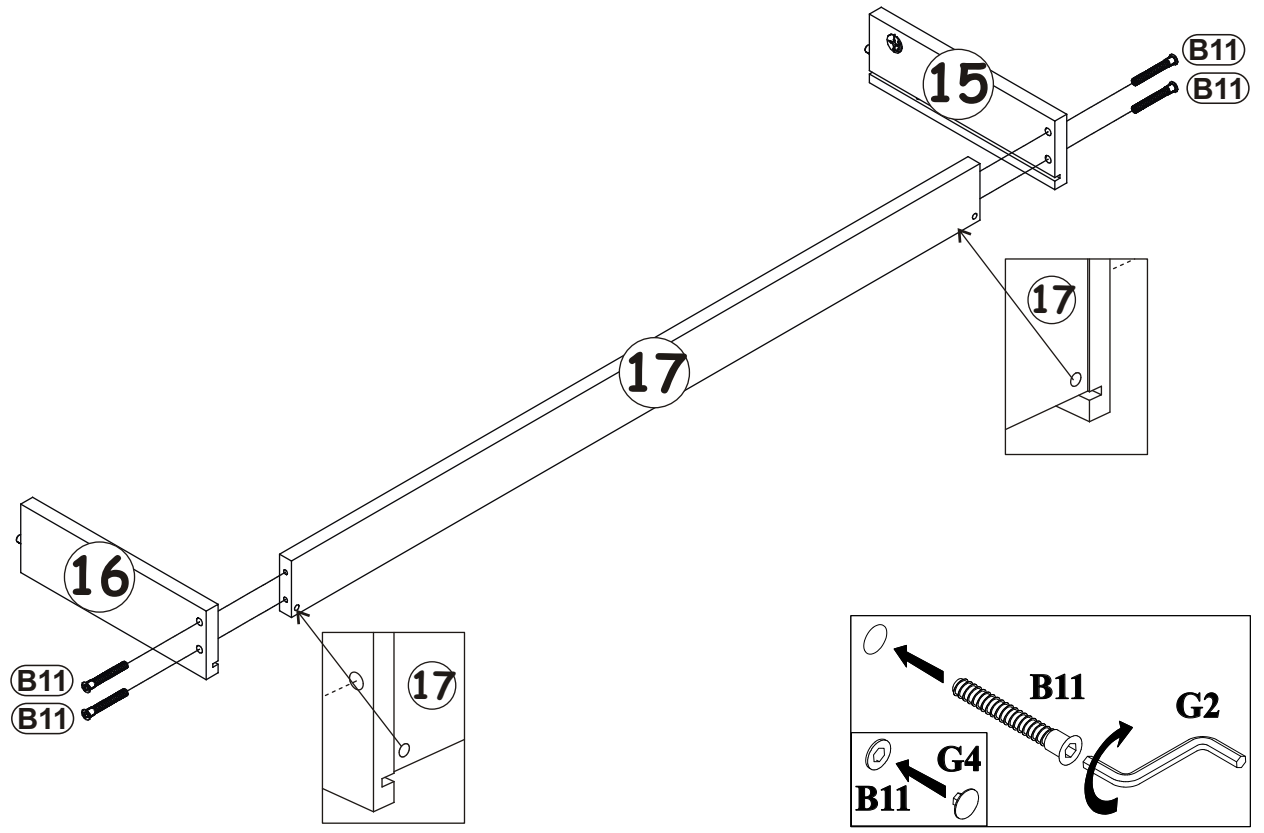
11

B4	
x2	




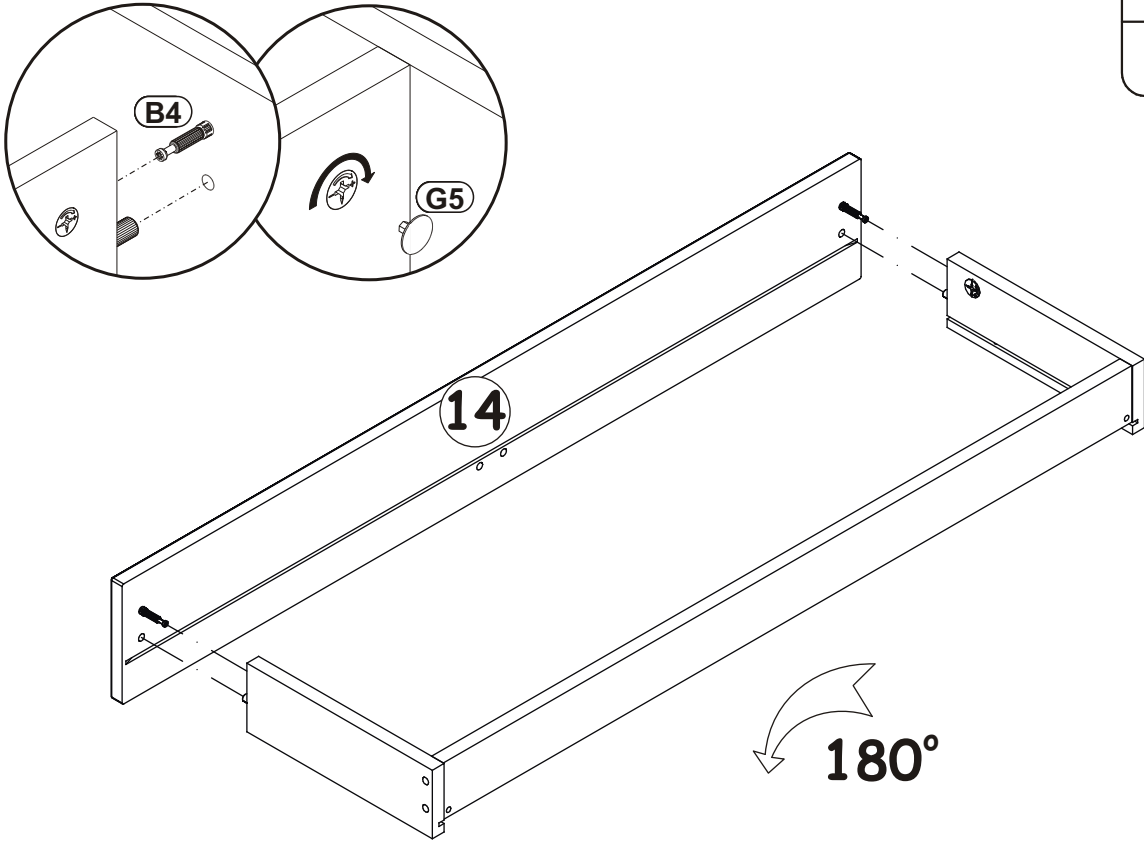
12

B11		G4	
x4	Ø7x50	x4	

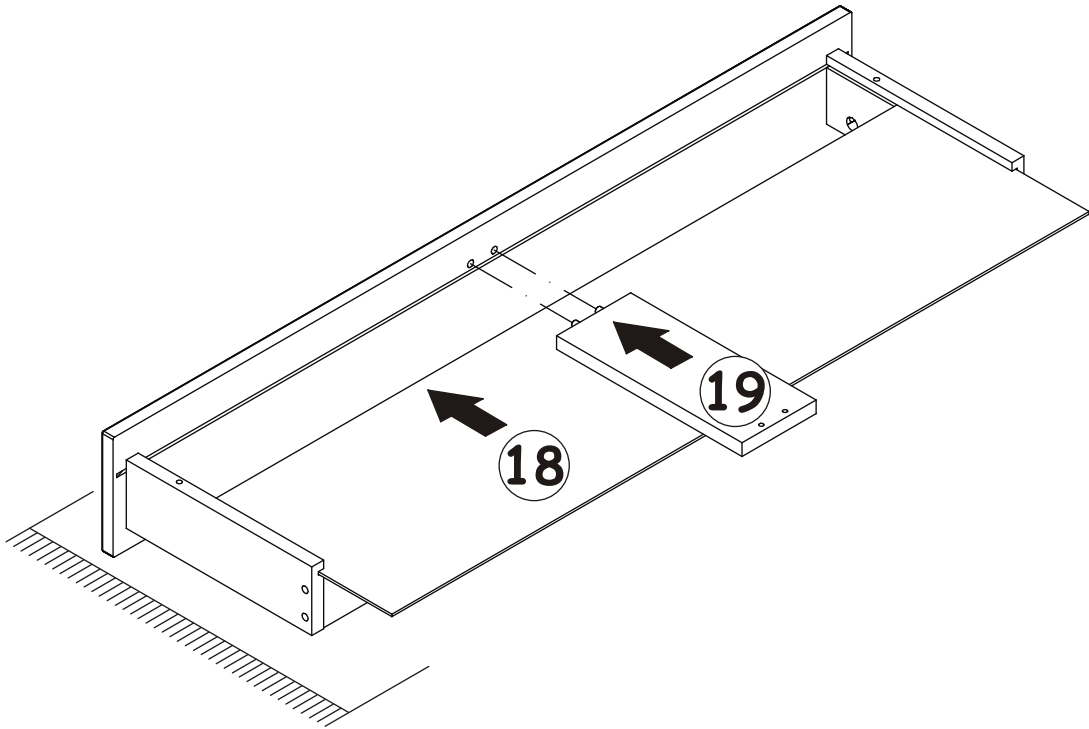


13

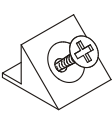


G5	
x2	

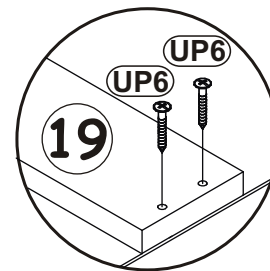
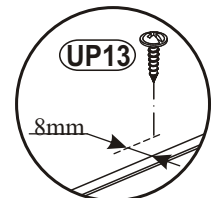
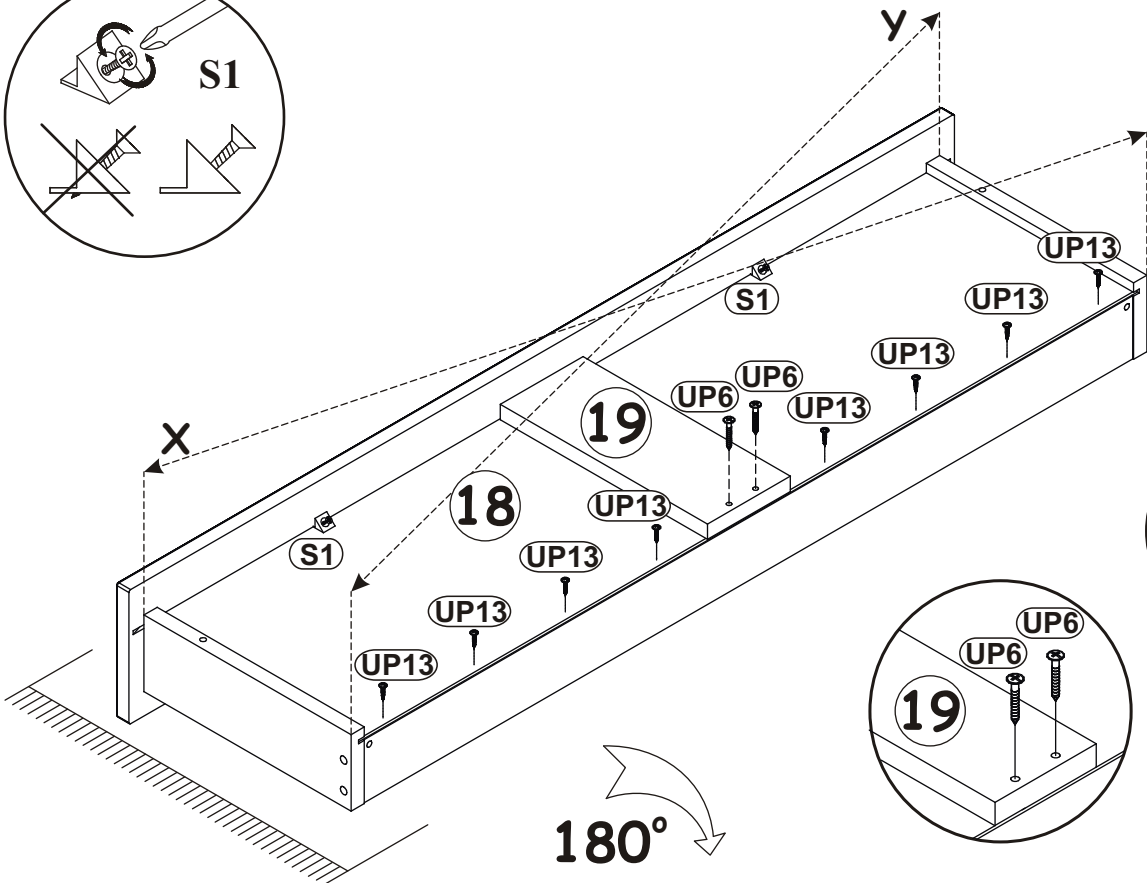
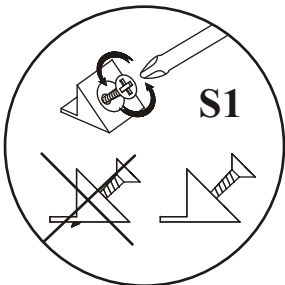


14

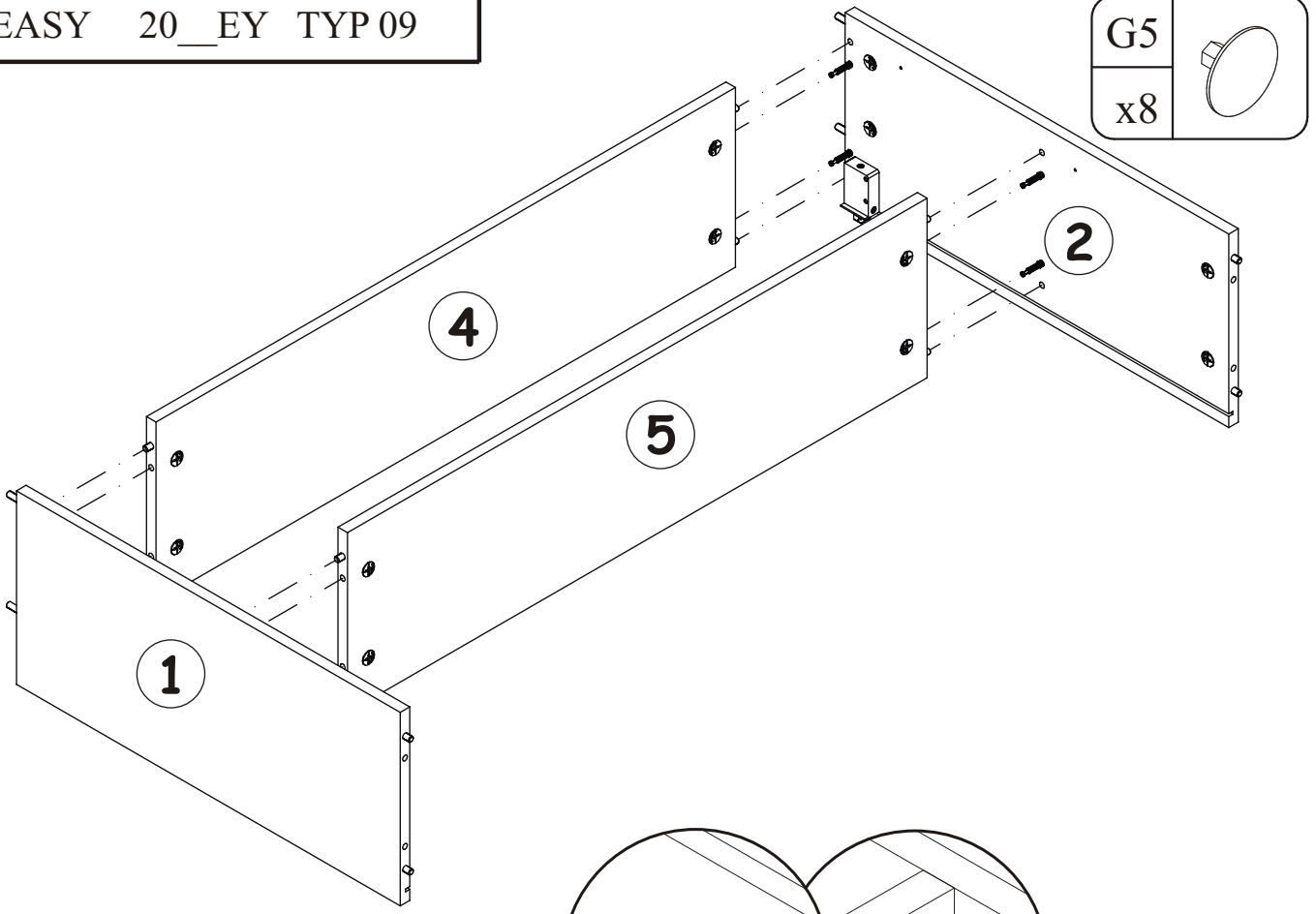


15

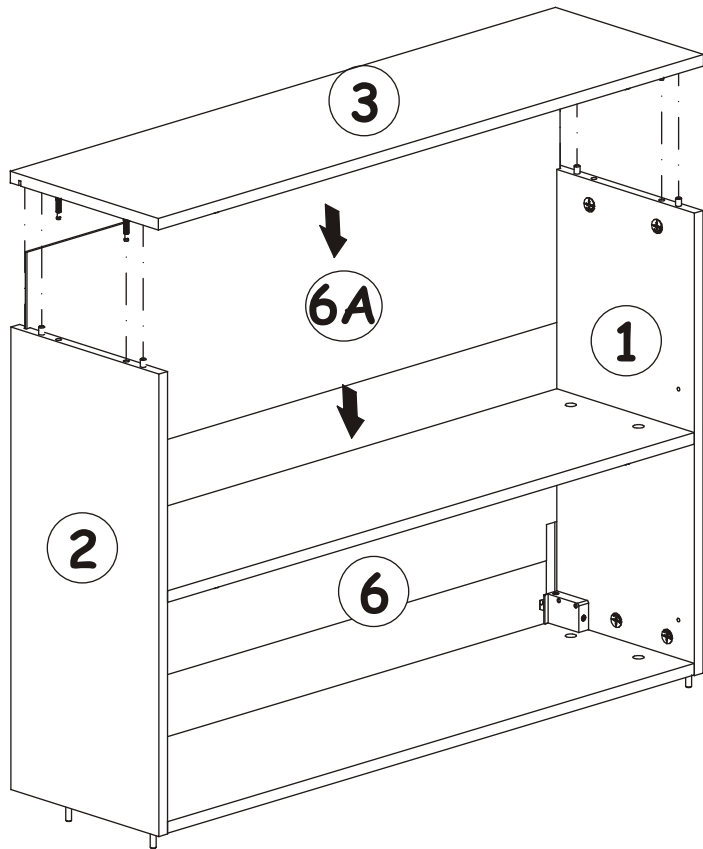
S1		UP13		UP6	
x2		x8	UPØ3x16	x2	UPØ4x30



16



17

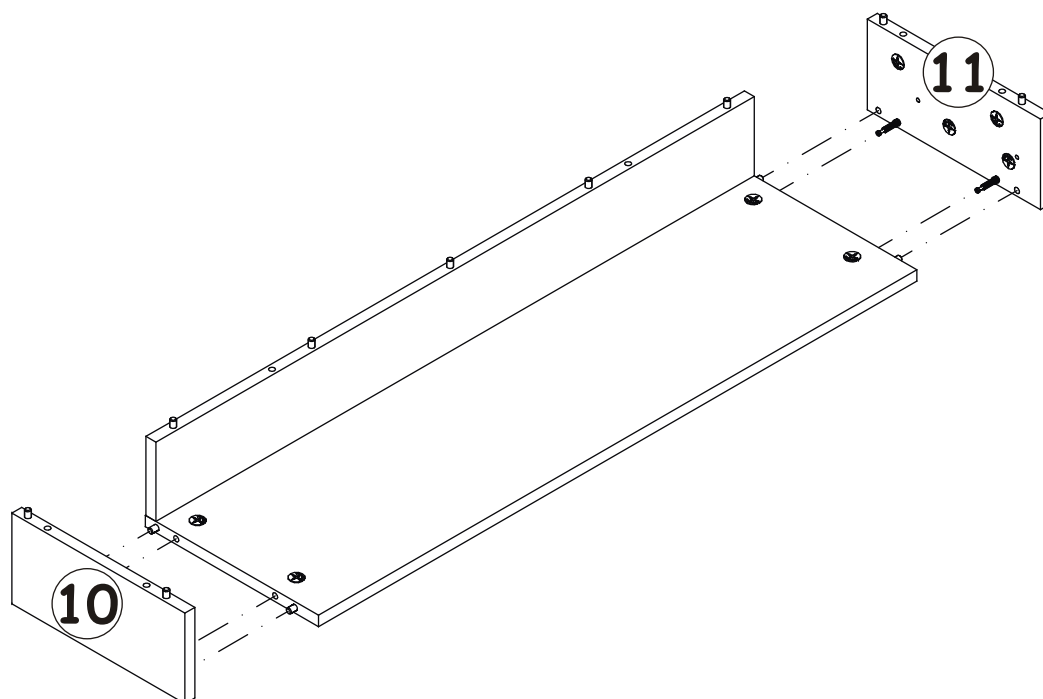


G5

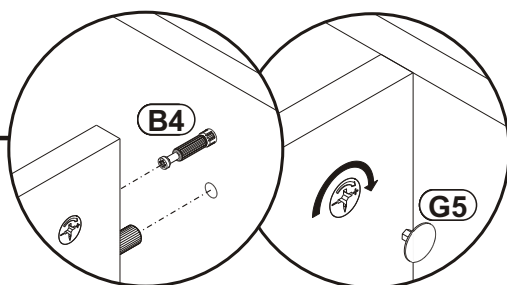


x4

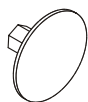
20



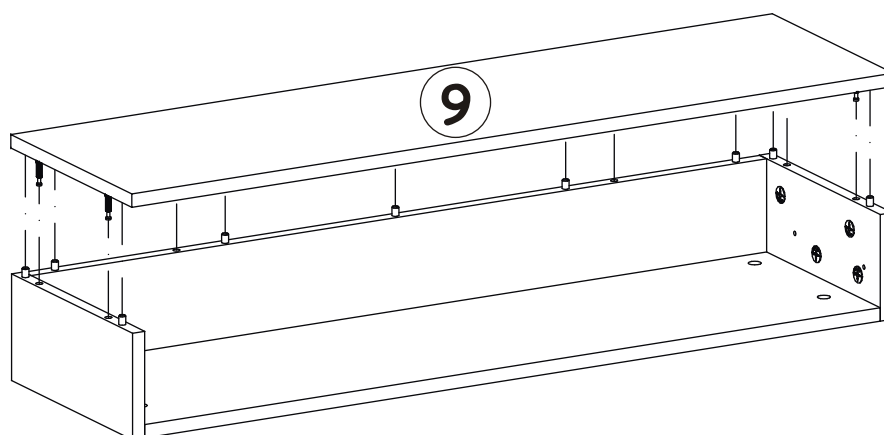
21



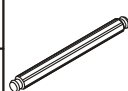

G5

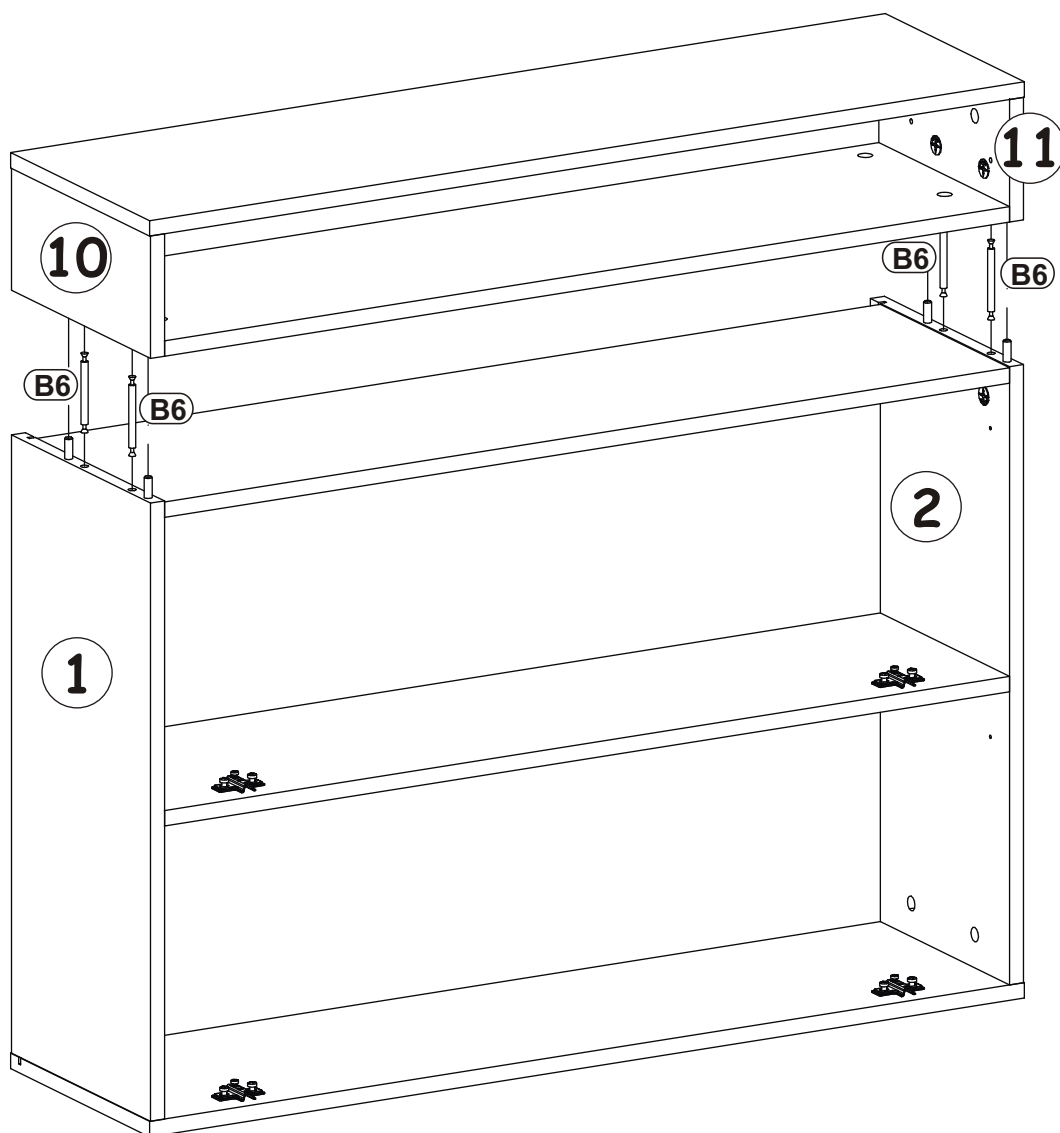
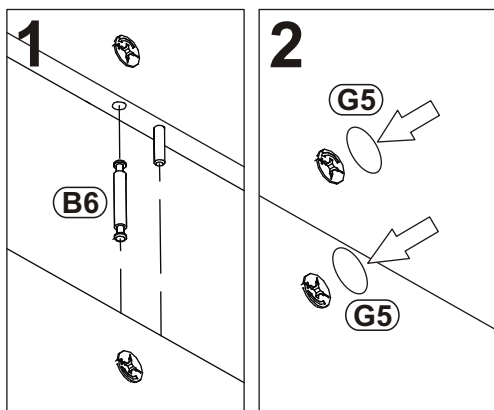


x6

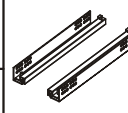


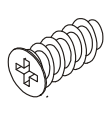
22


B6		G5	
x4	Ø7x76	x8	




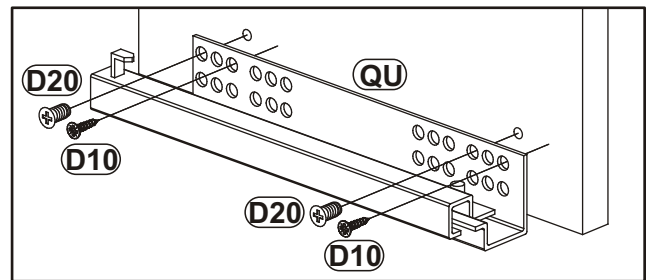
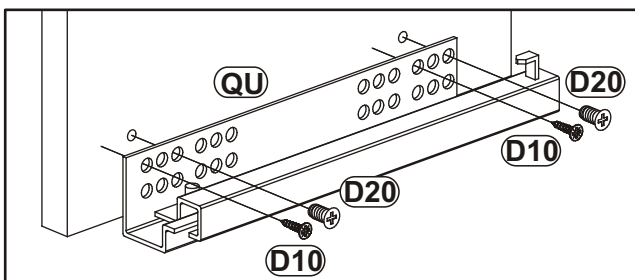
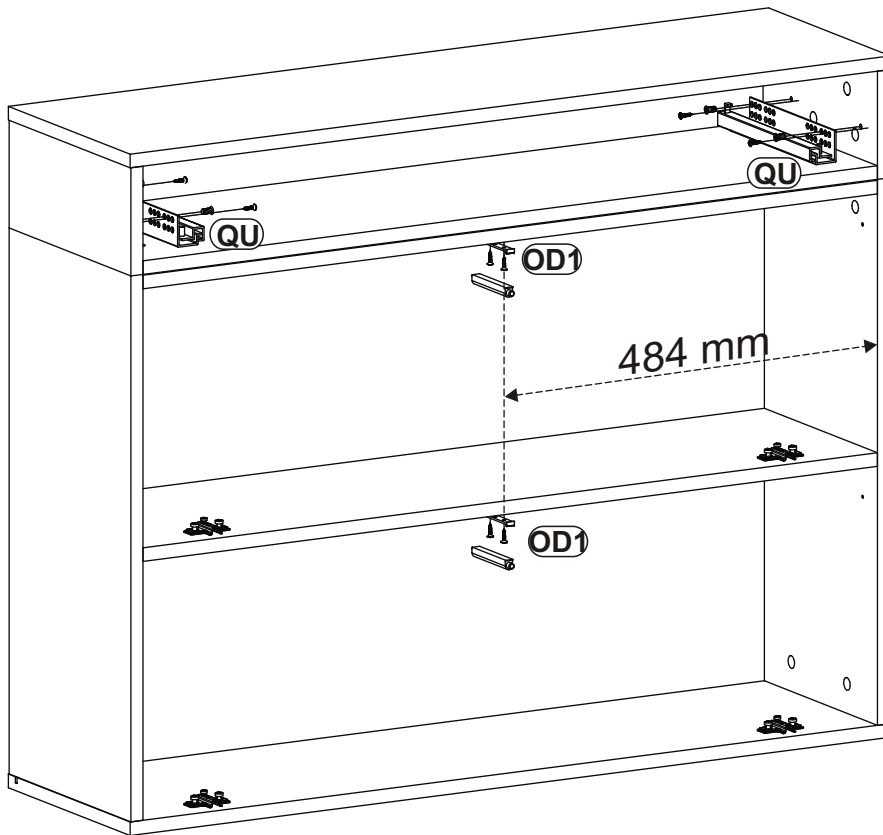
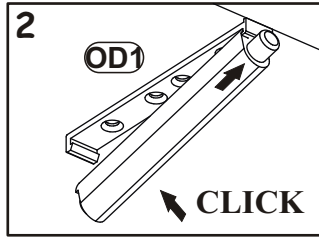
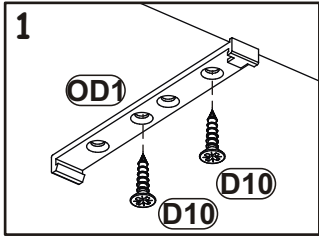
23

QU	
x1	L-250mm

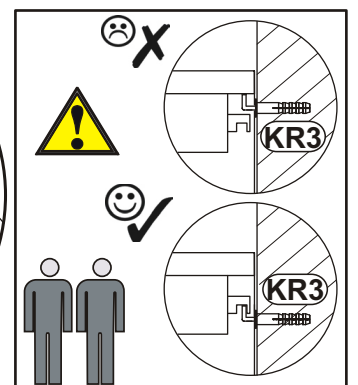
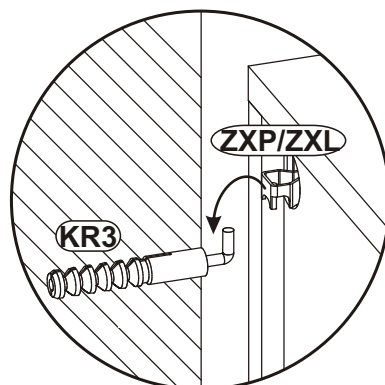
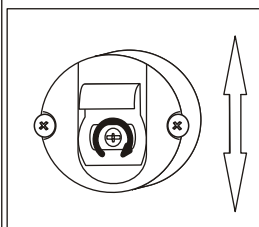
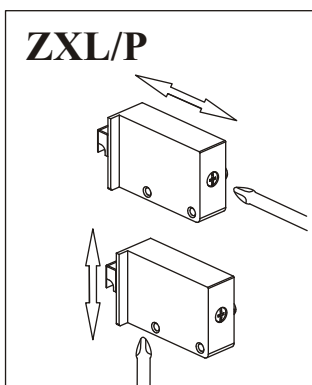
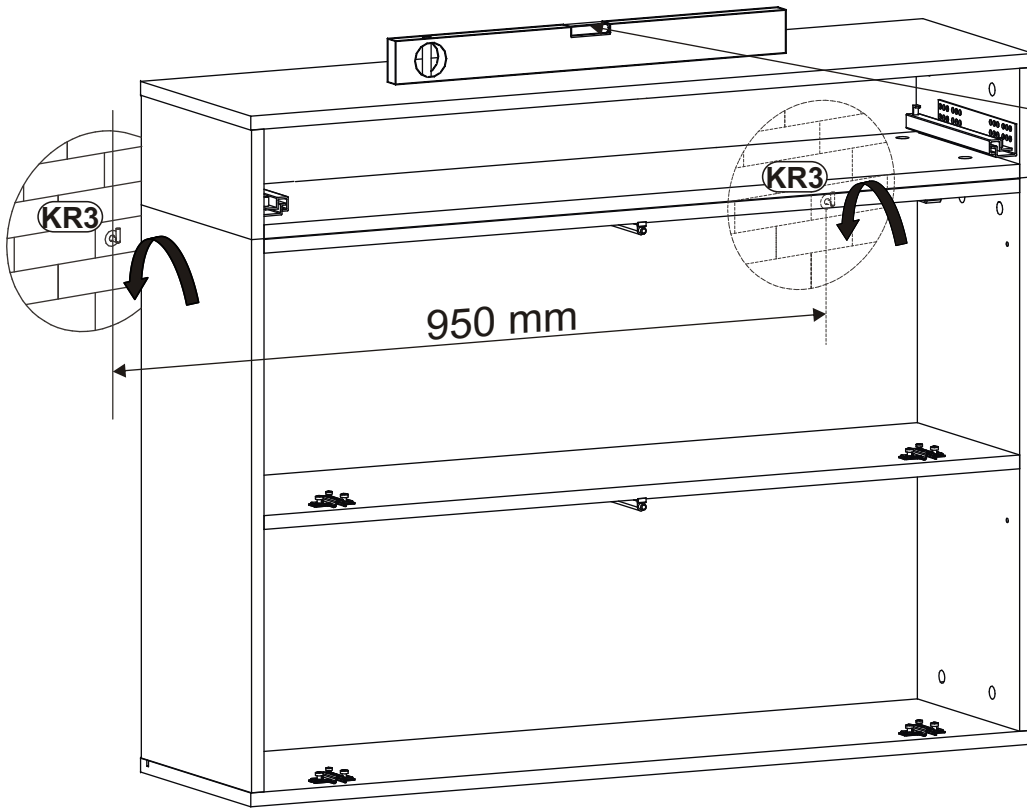
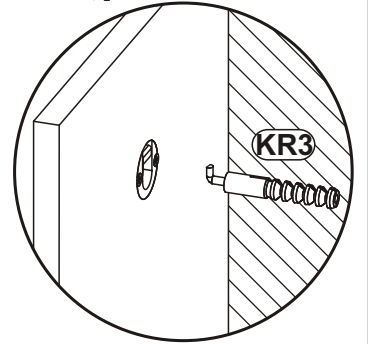
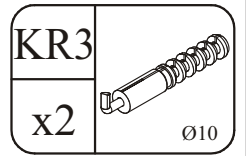
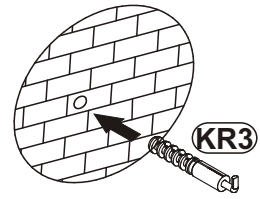
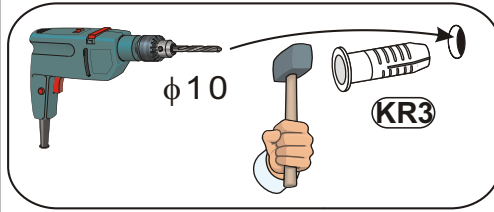
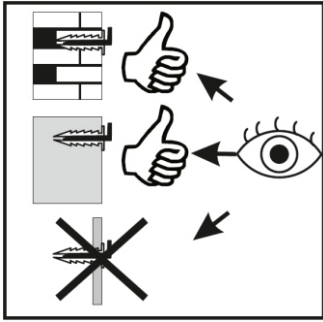
D20	
x4	ESØ6x9,5

OD1	
x2	

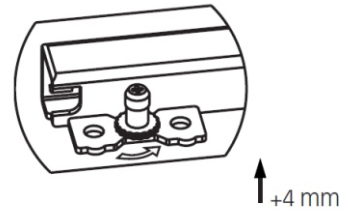
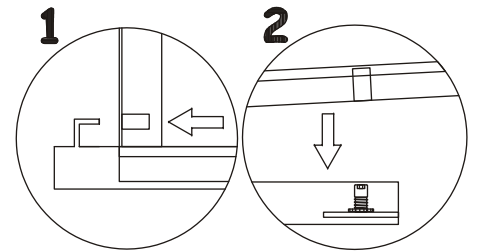
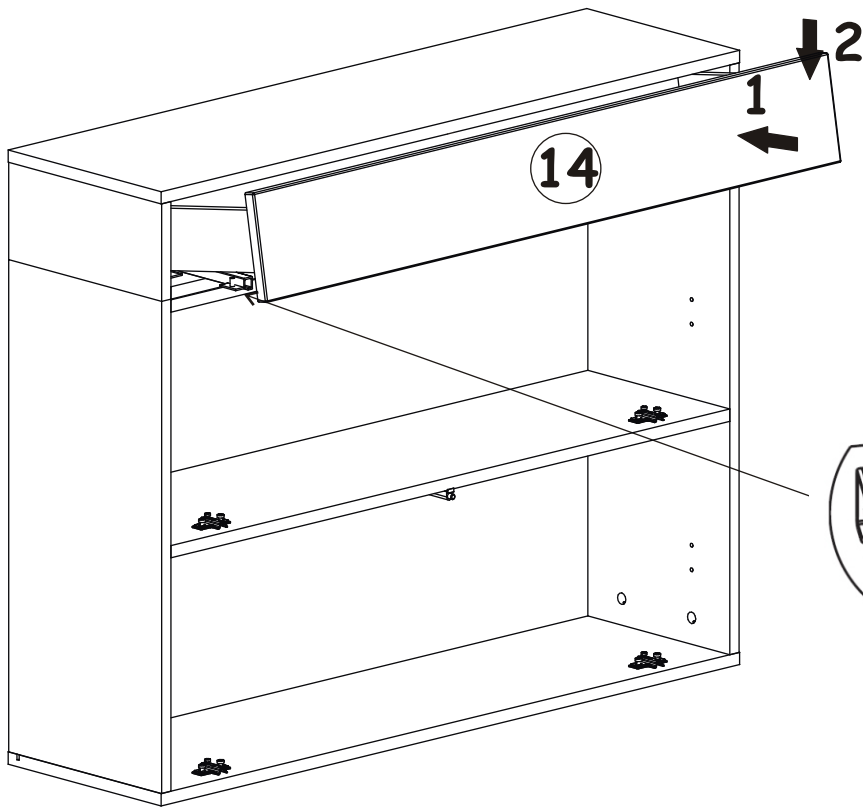
D10	
x8	USØ3,5x13



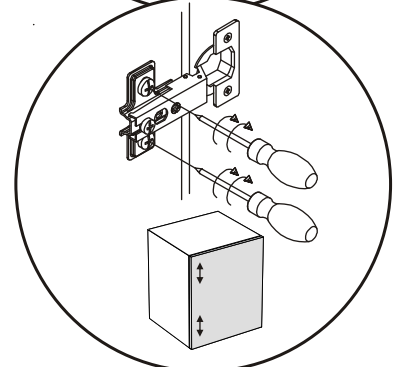
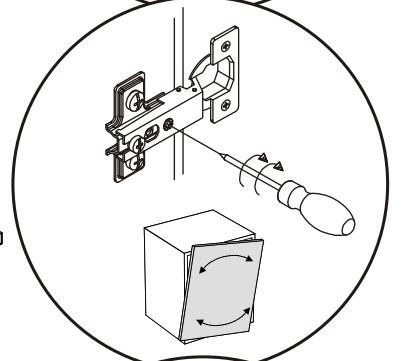
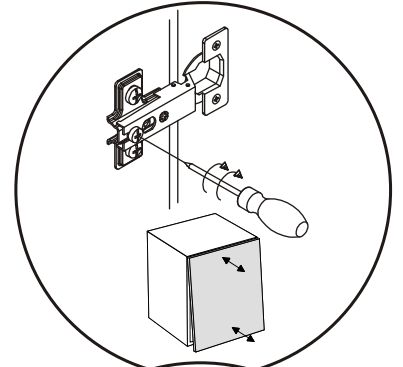
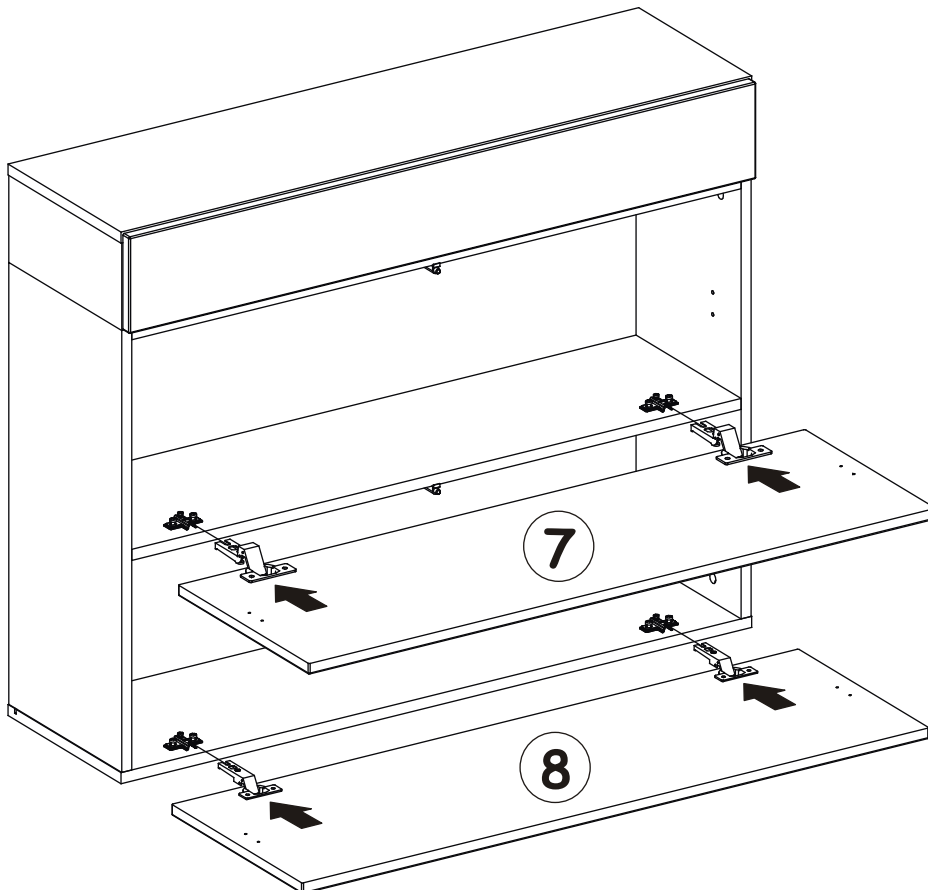
24




25

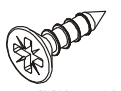


26



27

B01	
x4	

D10	
x12	USØ3,5x13

