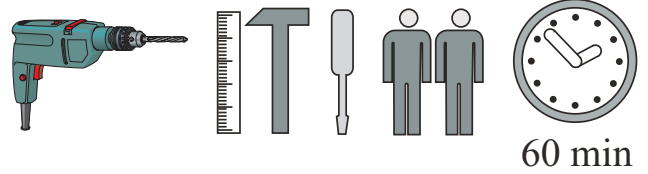
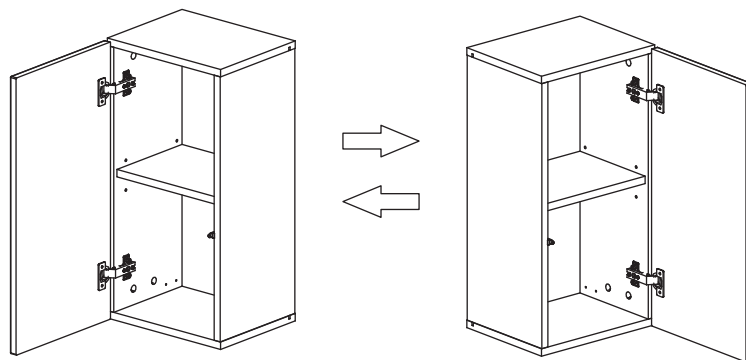
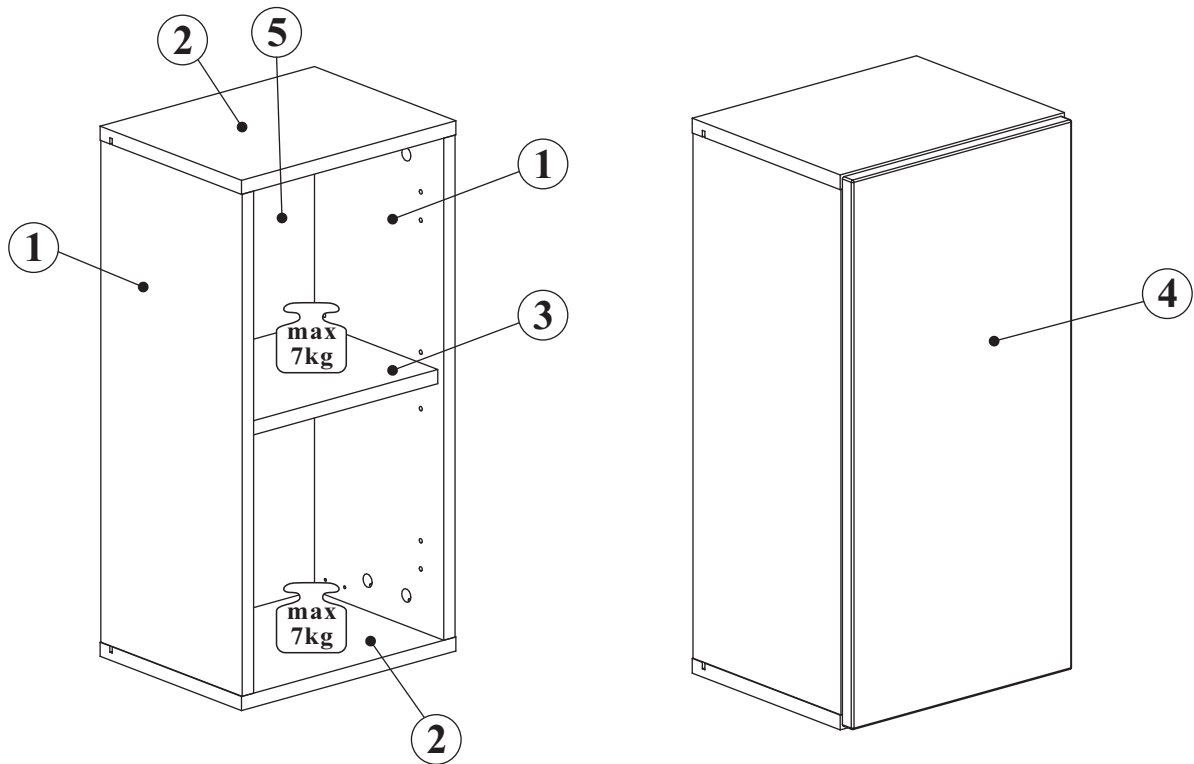
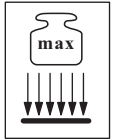


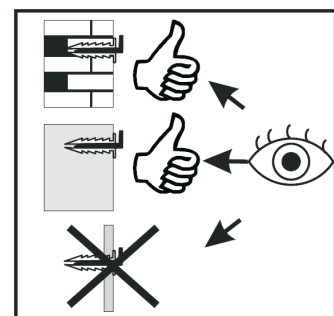
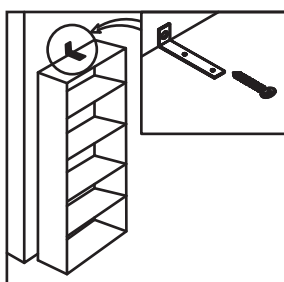
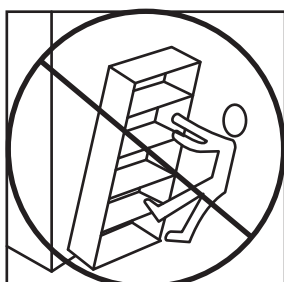
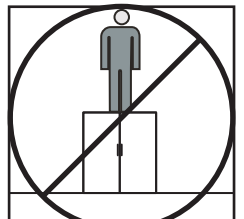
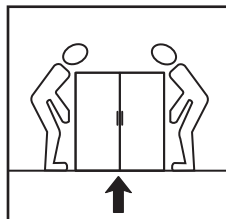
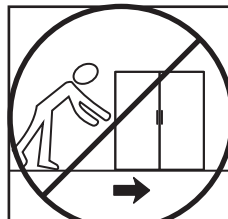
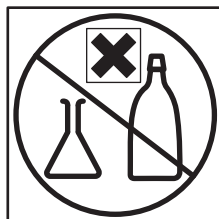
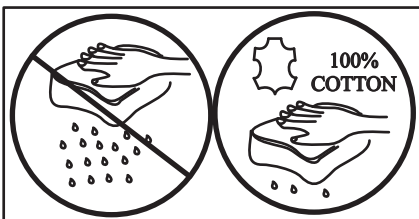
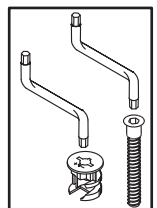
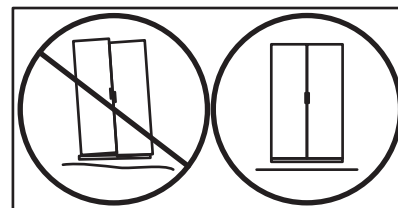
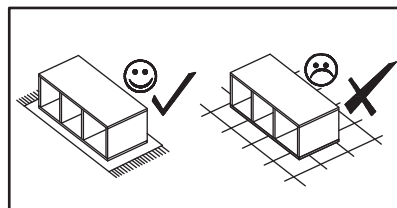
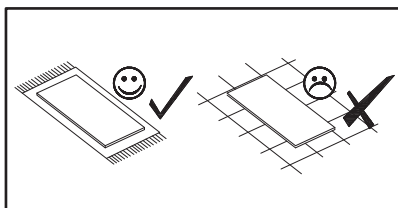
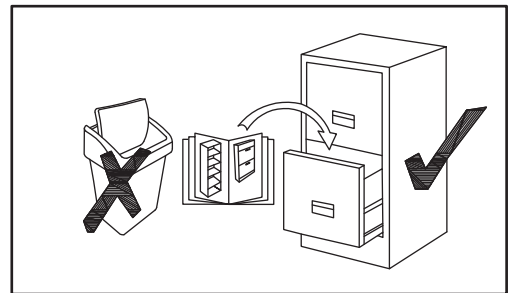
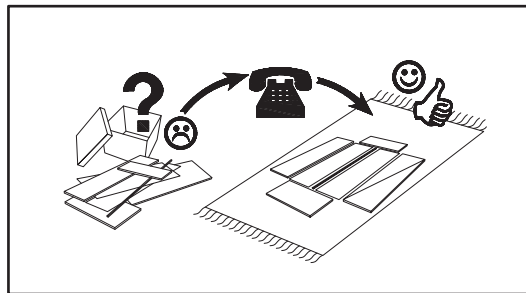
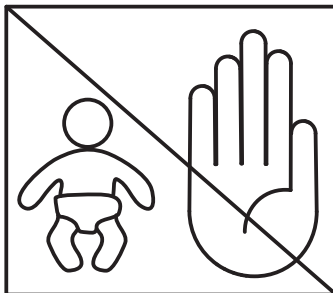
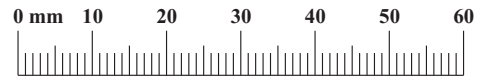
SWITCH 27 -- SW SW 4



NO	Dim.			Col-No	Qty
1	570	234	16	1	2
2	302	234	16	1	2
3	268	204	16	1	1
5	582	280	3	1	1
4	296	596	16	1	1

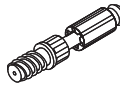
SWITCH SW 4

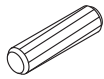
A1 x8 ø8x36	B4 x8	G5 x8	B5 x8 ø15x12	ZR1 x2	D6 x4 USØ3,5x30
E1 x2 Ø26 H=0	E2 x2 H=0	D10 x6 USØ3,5x13	T1 x1	S1 x6	KR2 x2 Ø8
G7 x4	G2 x1	Z2 x4 Ø5			

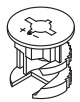


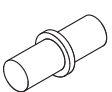
SWITCH SW 4

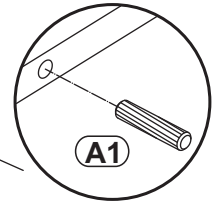
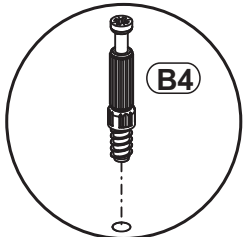
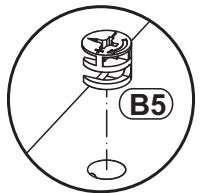
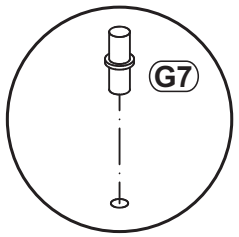
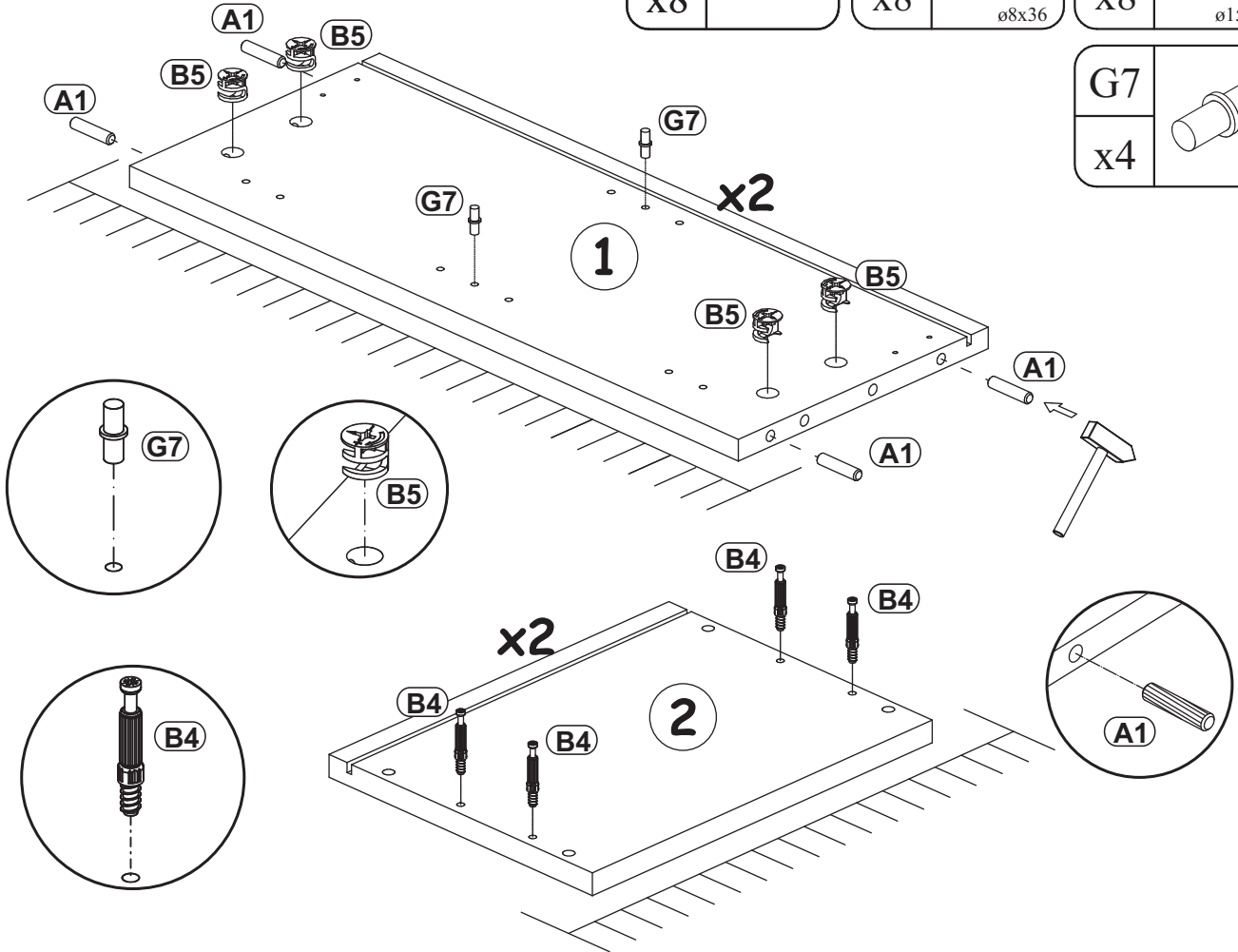
1

B4	
x8	

A1	
x8	ø8x36


B5	
x8	ø15x12

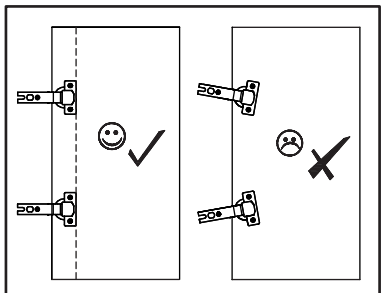
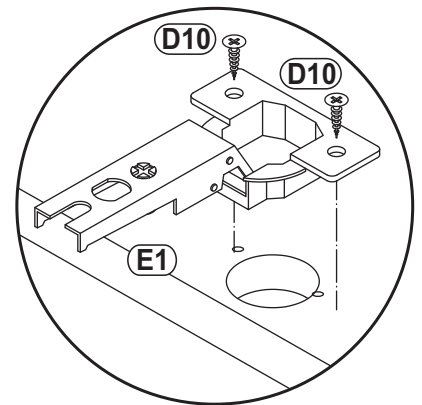
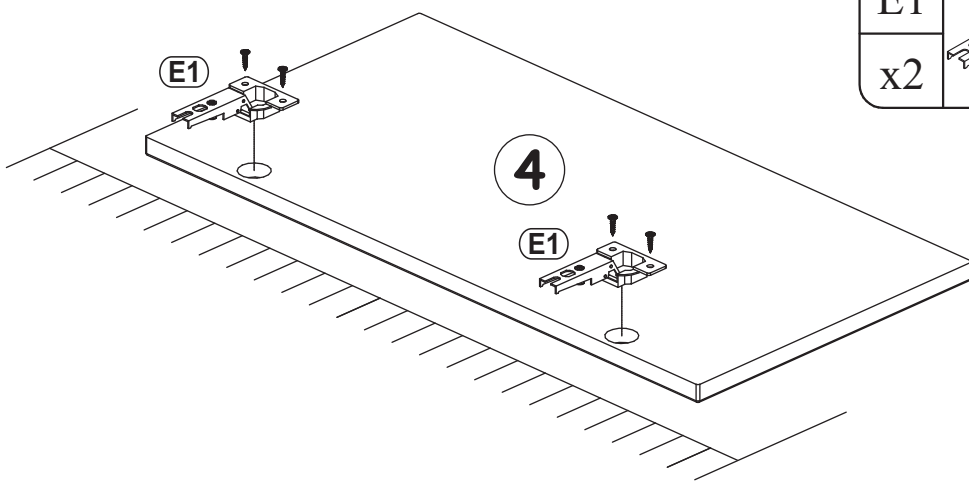
G7	
x4	



2

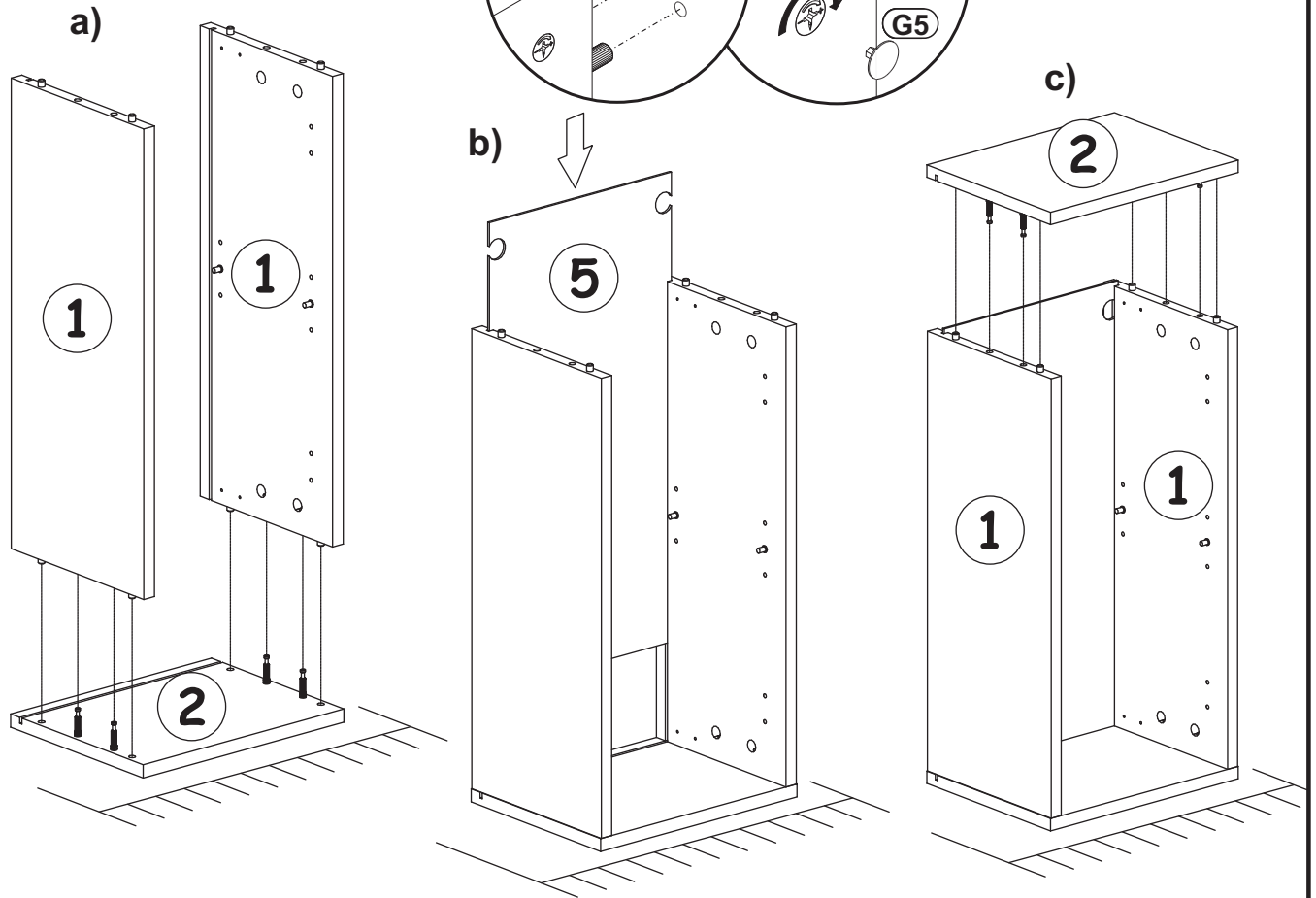
E1	Ø26
x2	H=0

D10	
x4	USØ3,5x13

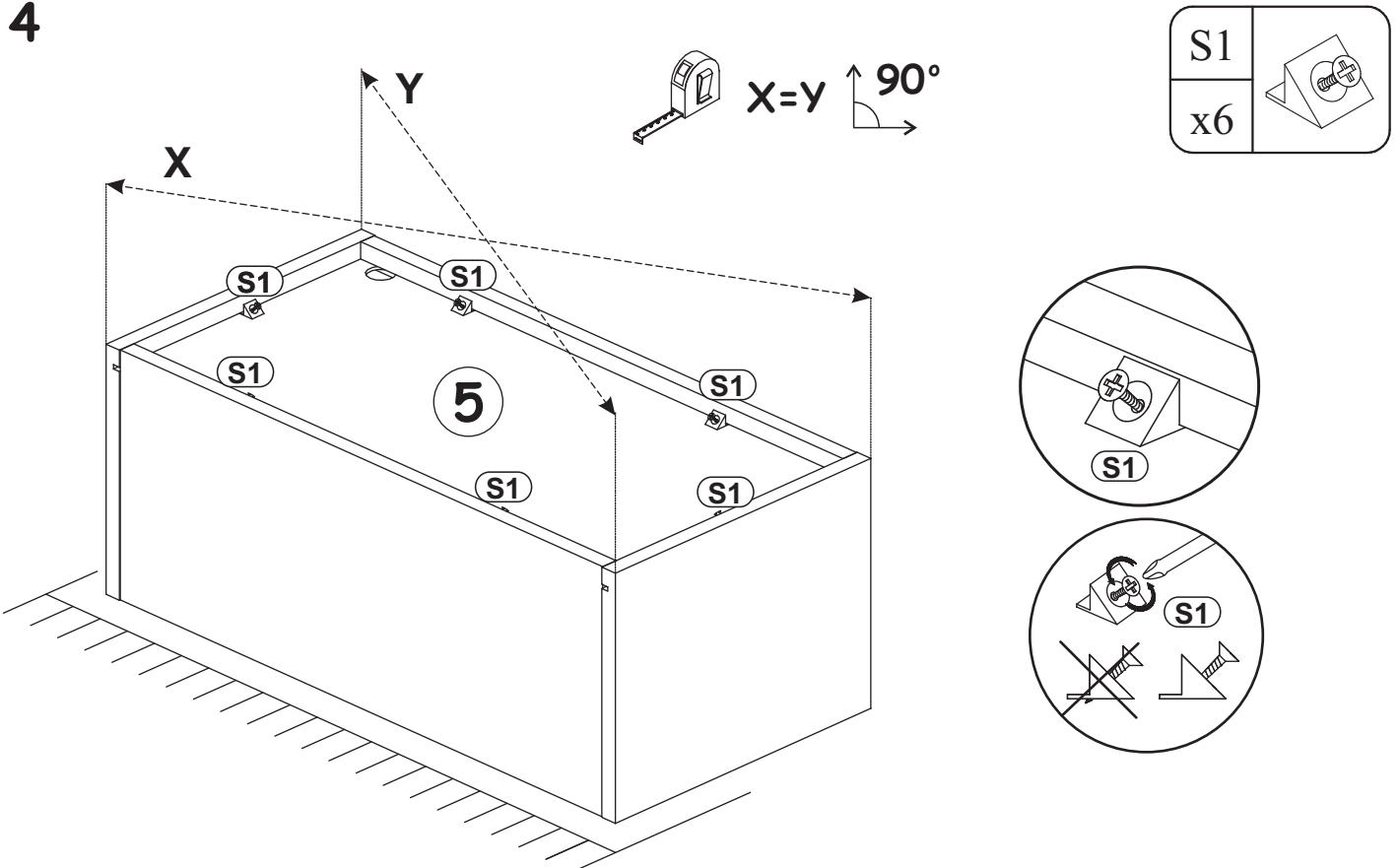


SWITCH SW 4

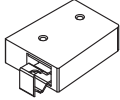

3



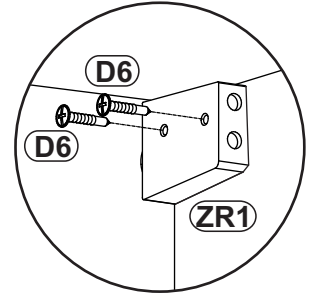
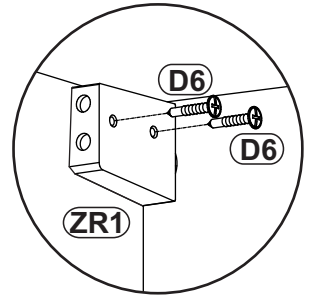
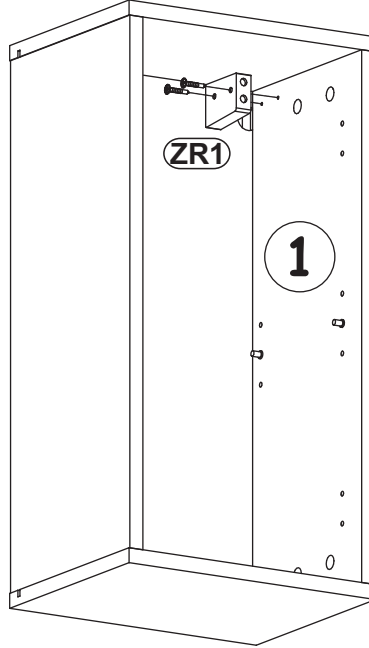
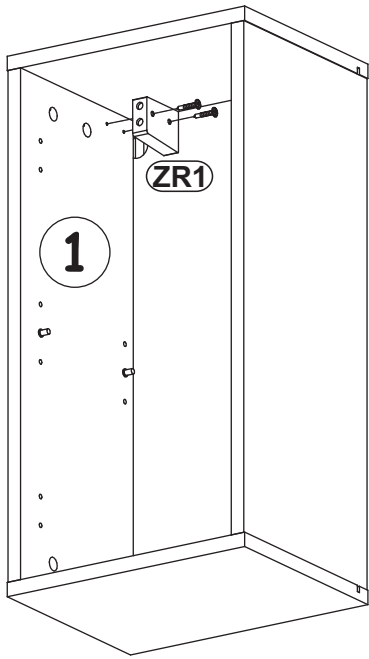
4



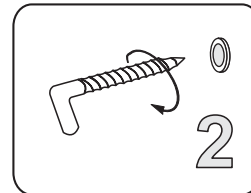
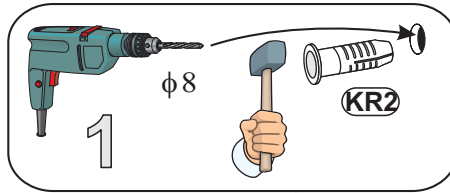
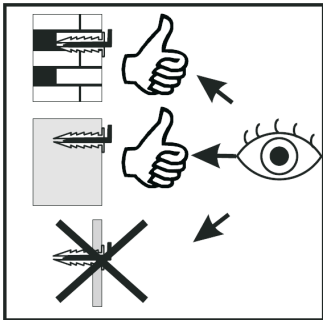
SWITCH SW 4

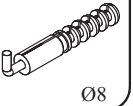
ZR1		D6	
x2		x4	USØ3,5x30

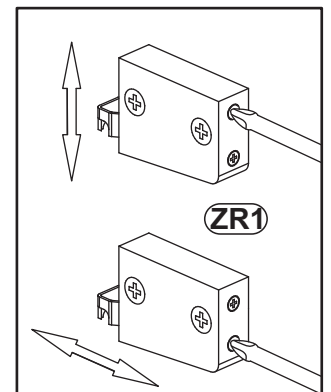
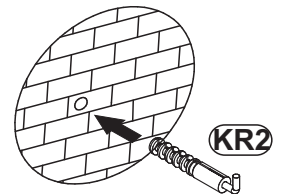
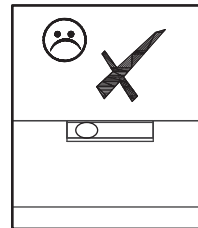
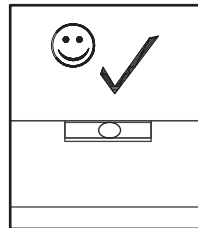
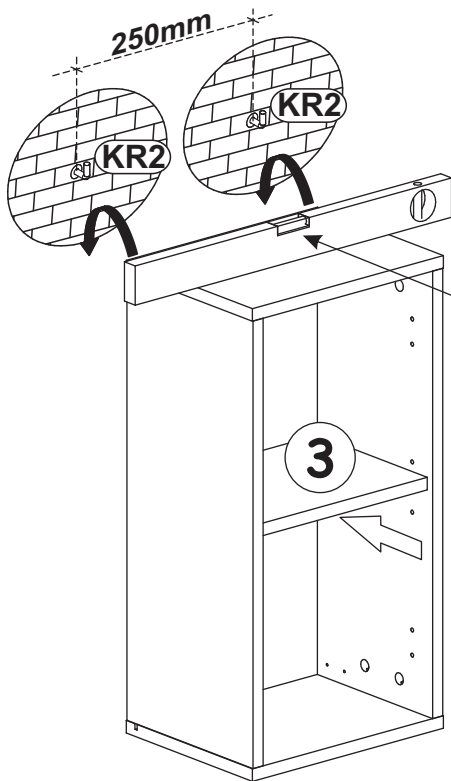
5



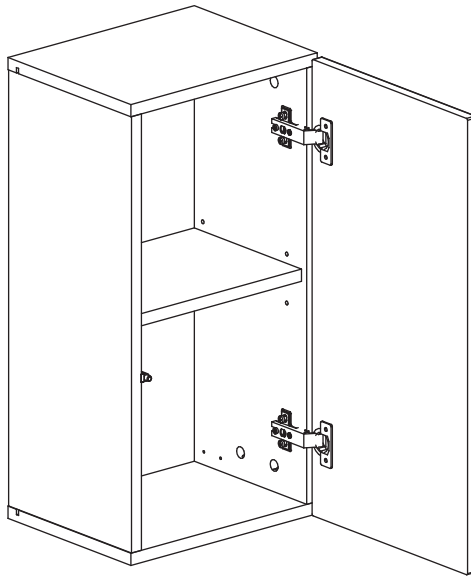
6



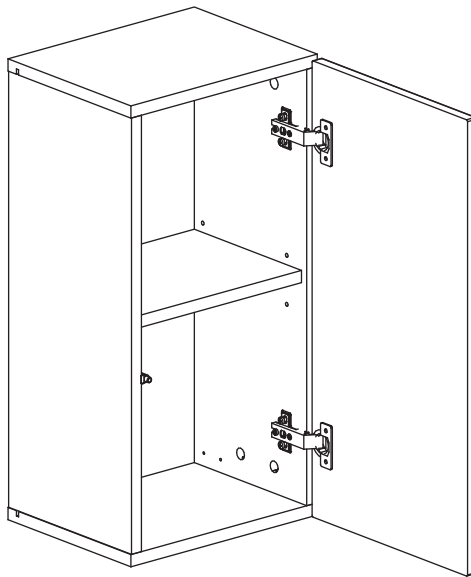
KR2	
x2	Ø8



7 - 8

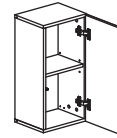
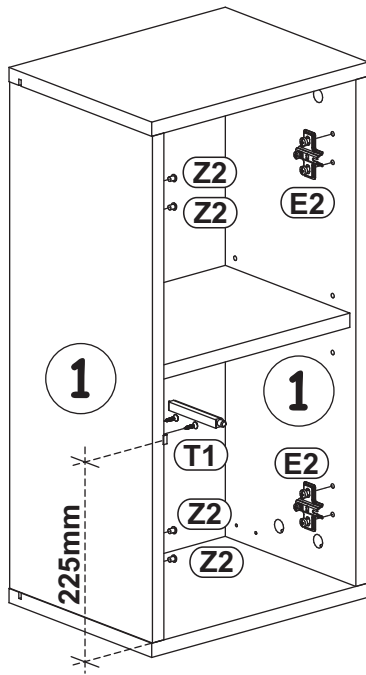
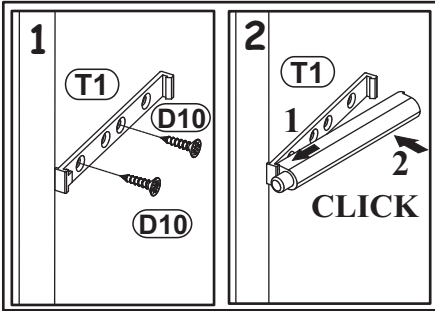
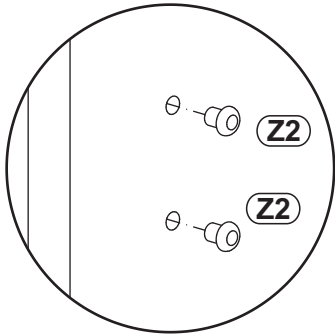



9 - 10

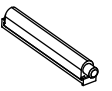



SWITCH SW 4

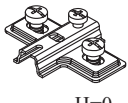
7

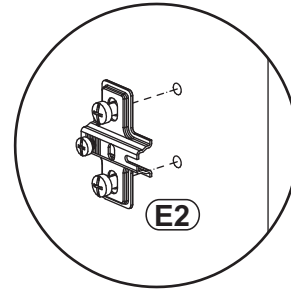


D10	
x2	USØ3,5x13

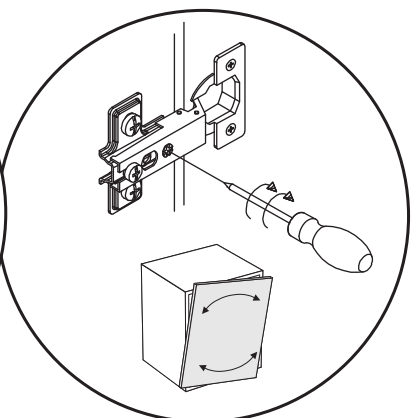
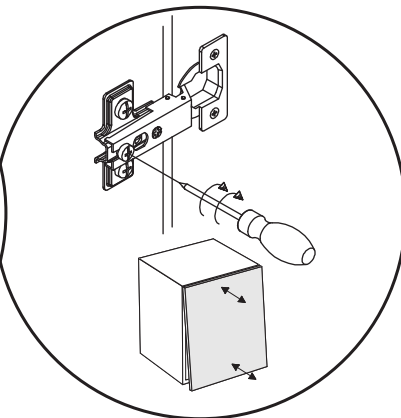
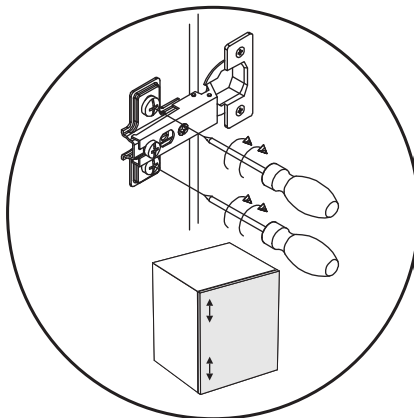
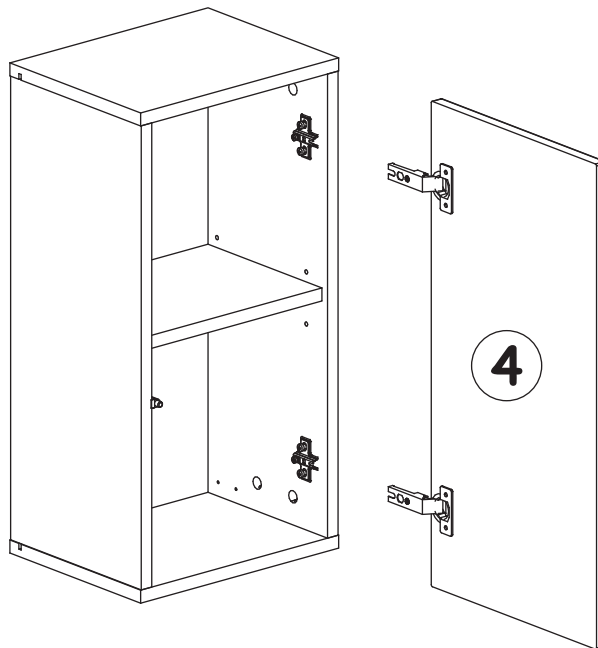
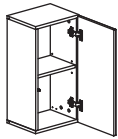
T1	
x1	

Z2	
x4	Ø5

E2	
x2	H=0

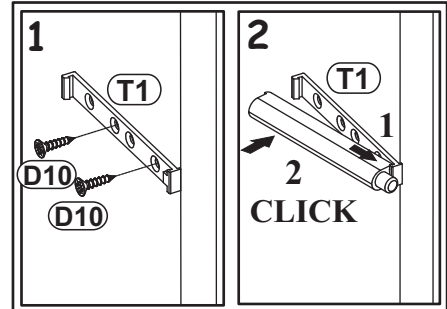
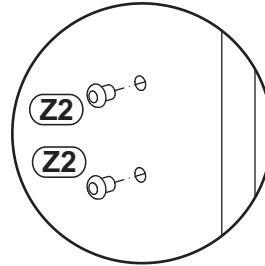
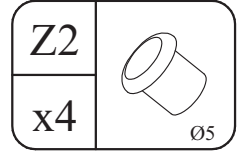
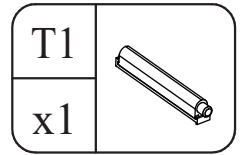
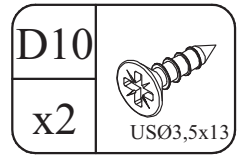
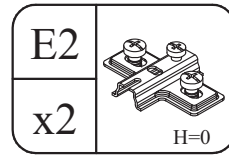
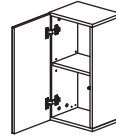
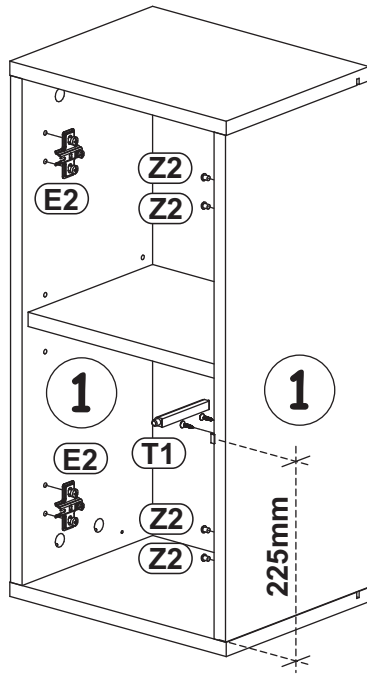
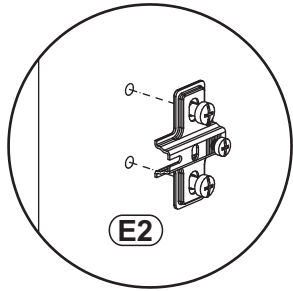


8

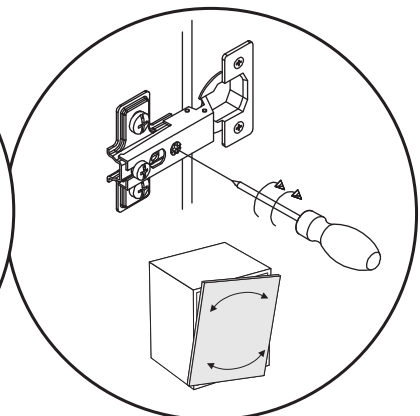
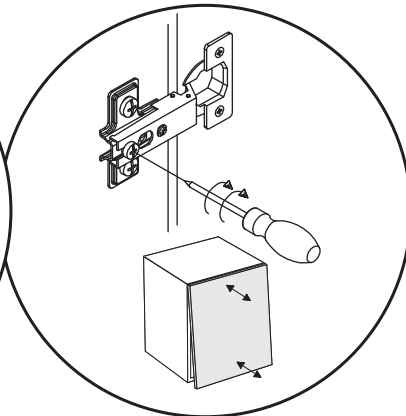
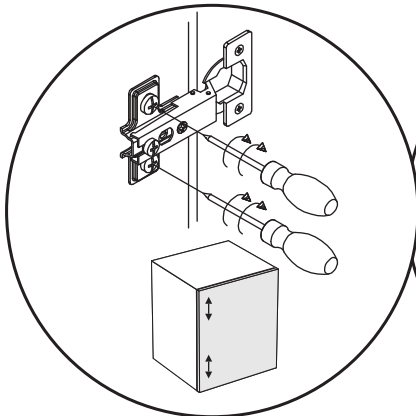
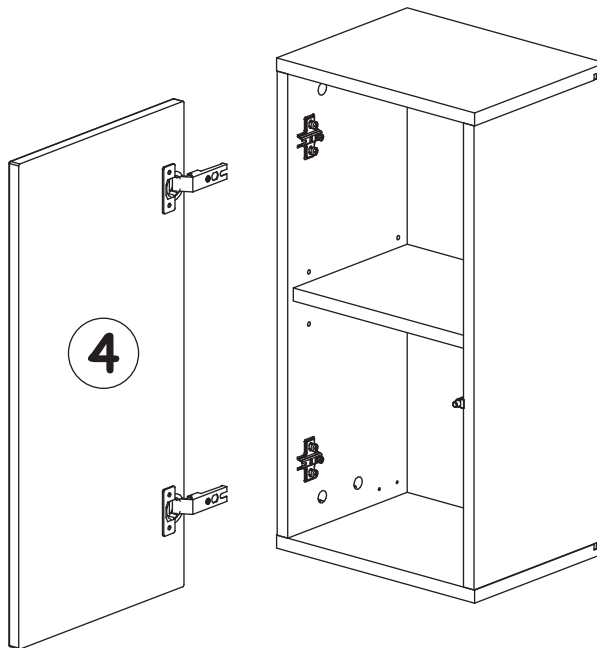
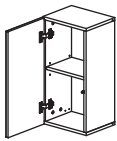


SWITCH SW 4

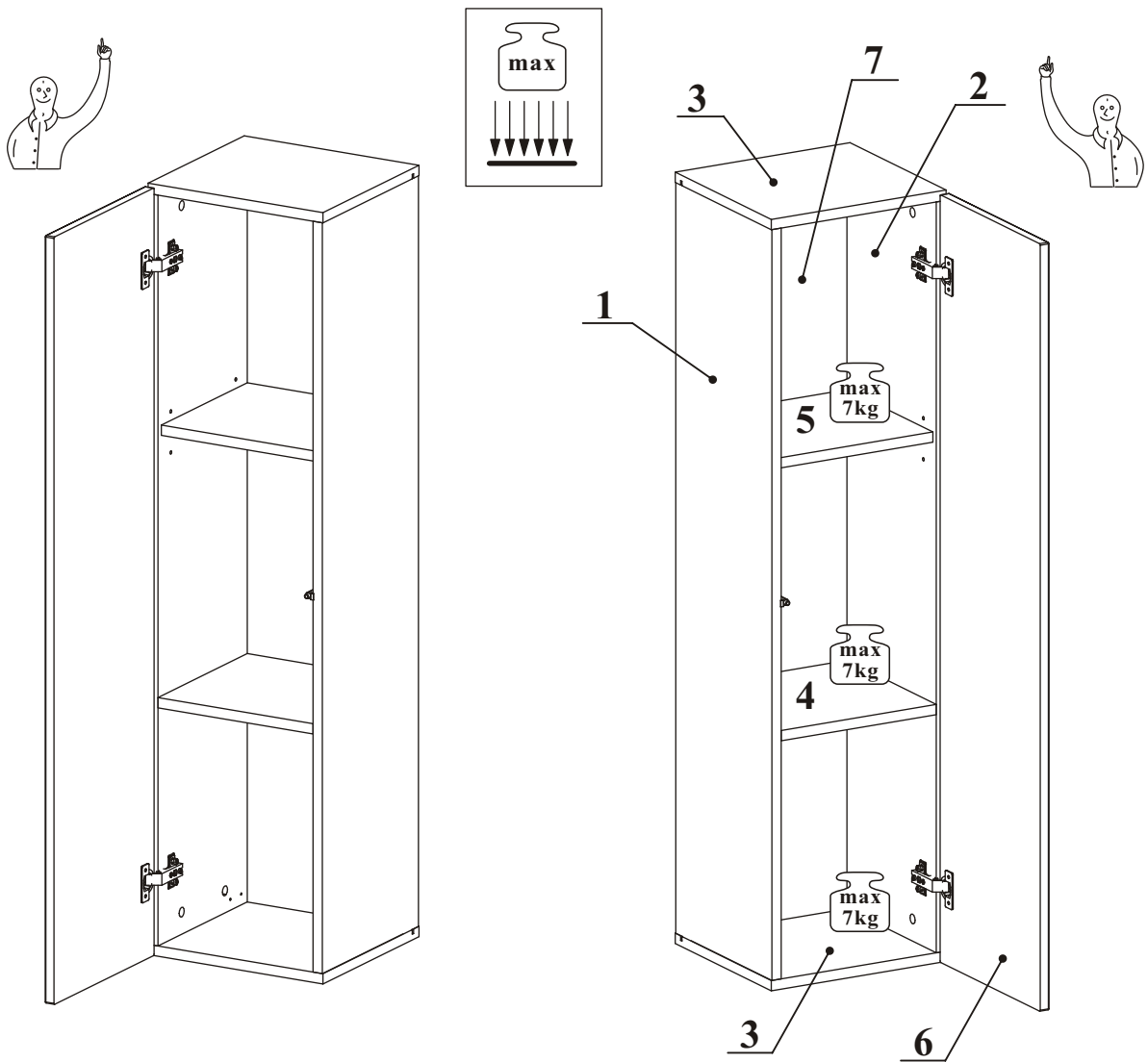
9



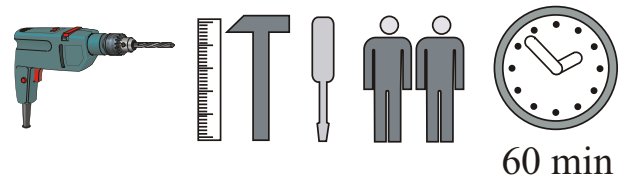
10



SWITCH SW2



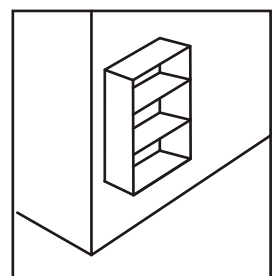
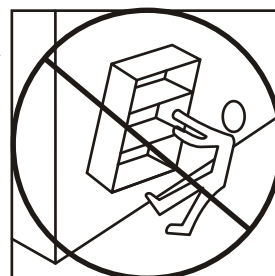
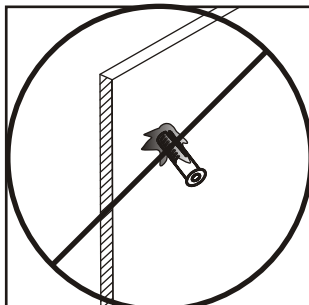
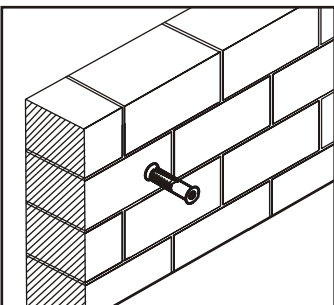
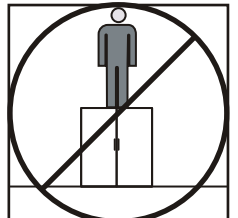
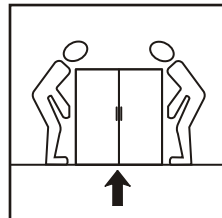
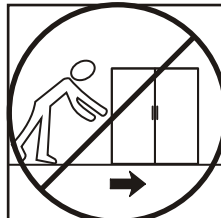
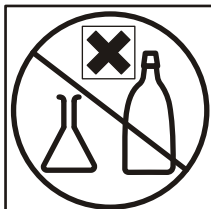
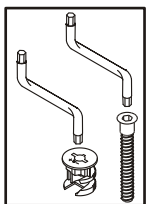
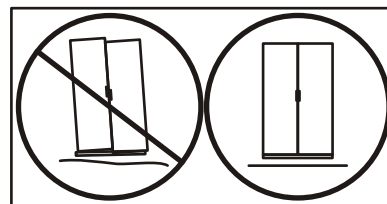
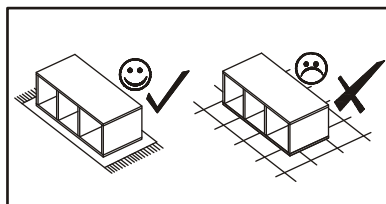
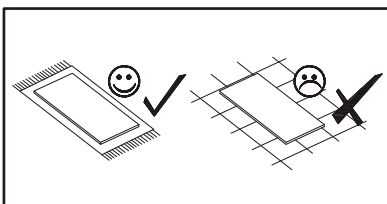
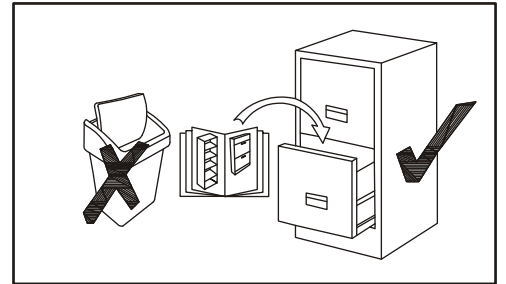
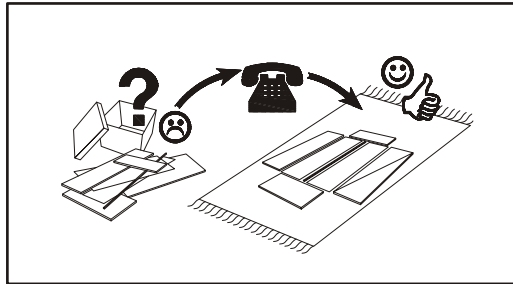
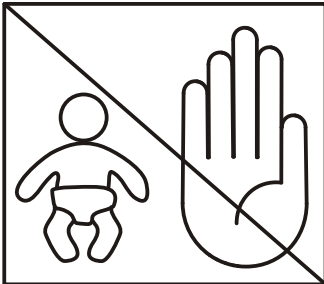
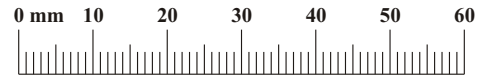
NO	Dim.		Col.-No	Qty
1	1170	284	1	1
2	1170	284	1	1
3	302	284	1	2
5	268	254	1	1
4	268	264	1	1
7	1182	280	1	1
6	296	1196	1	1



60 min

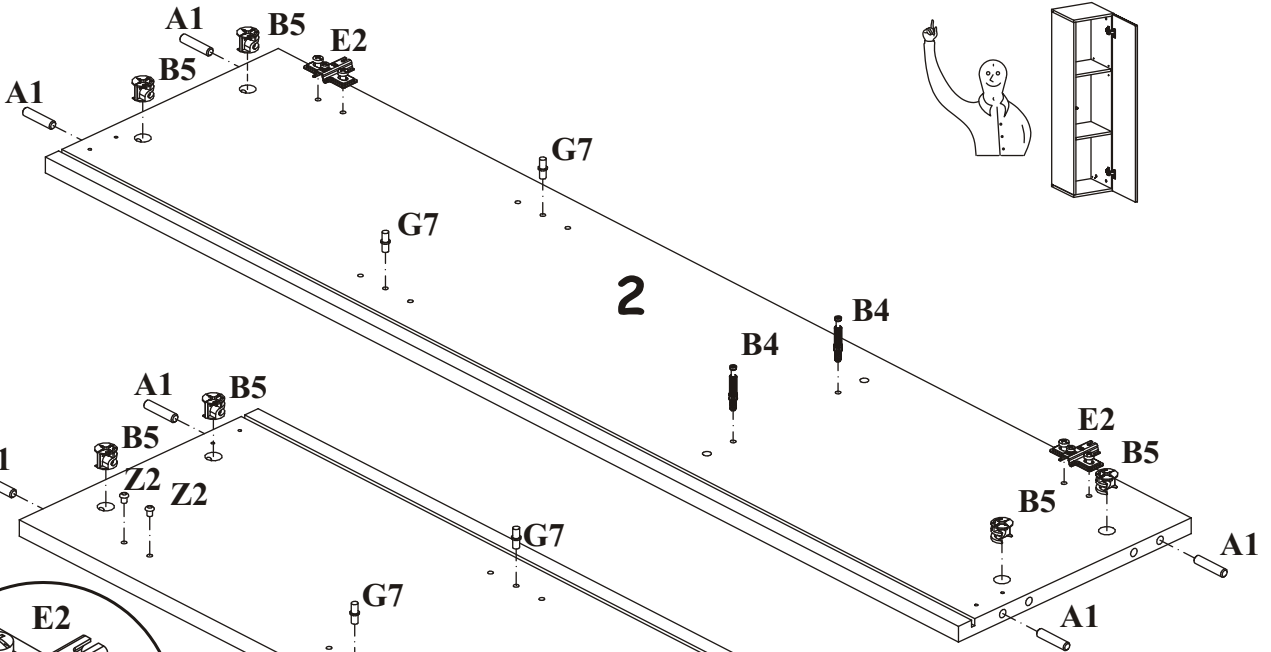
SWITCH - SW2

A1 X12 ø8x36	B4 X12	G5 X12	B5 X12 ø15x12	G7 X4	S1 X10
Z2 X4 ø5	D10 X6 USØ3,5x13	G2 X1	E1 X2 Ø26 H=0	E2 X2 H=0	ZR1 X2
D6 X4 USØ3,5x30	OD1 X1	KR2 X2			

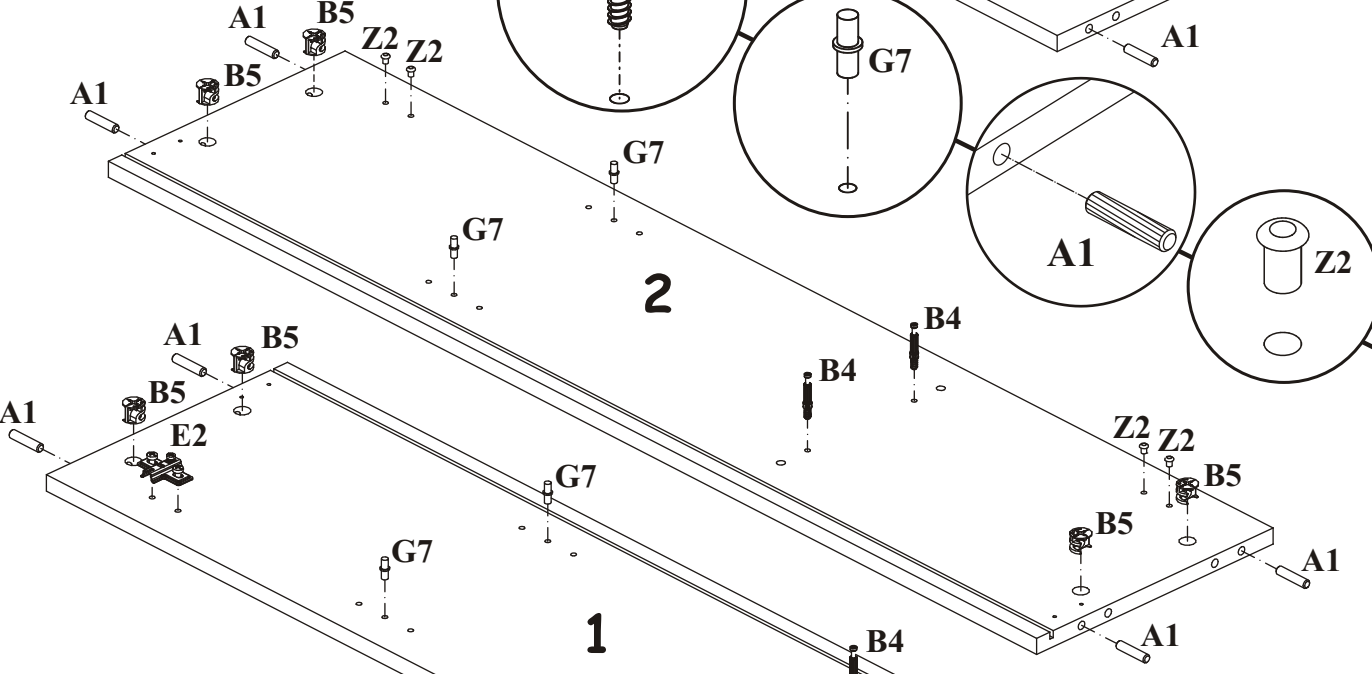
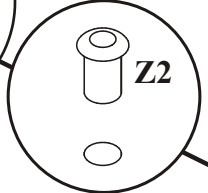
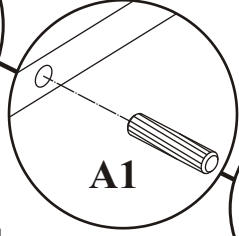
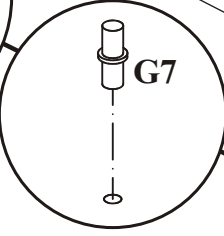
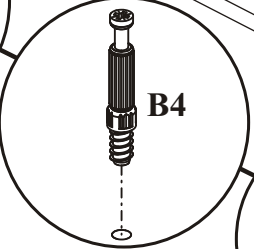
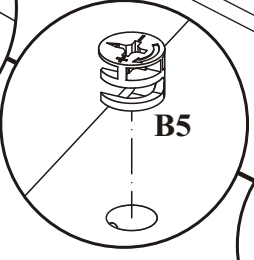
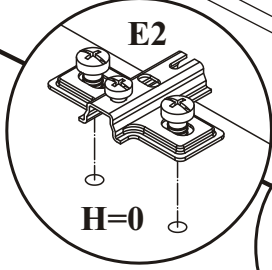
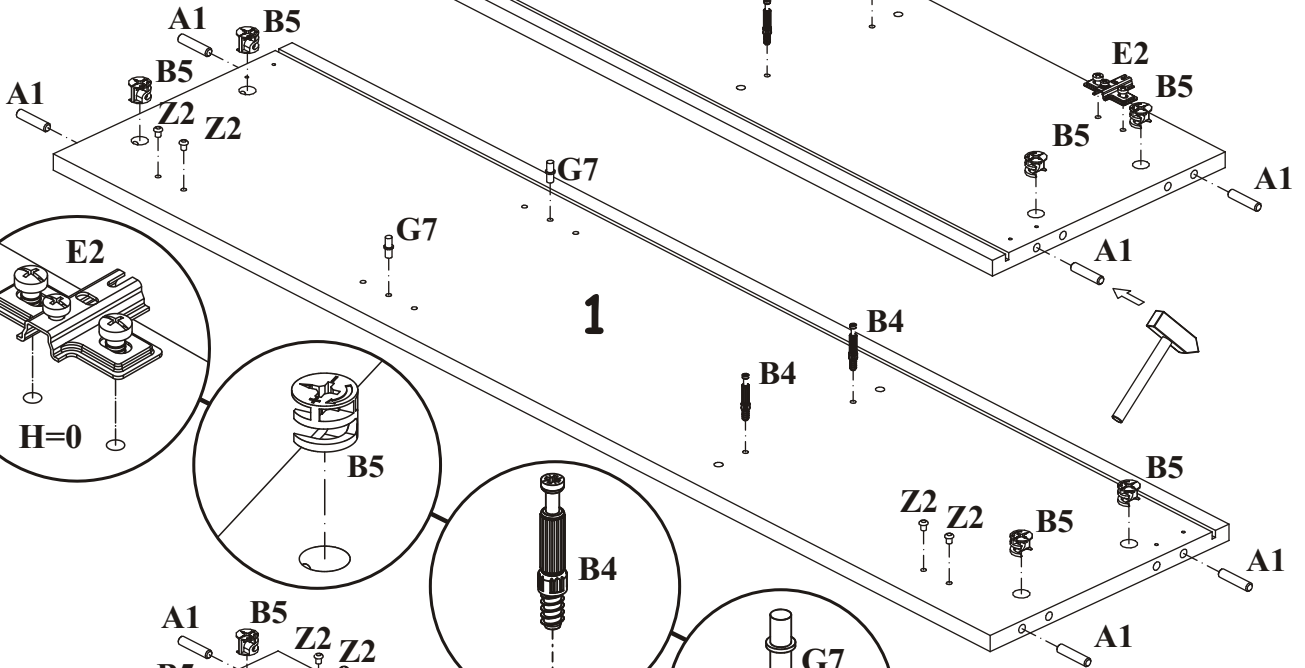


SWITCH - SW2

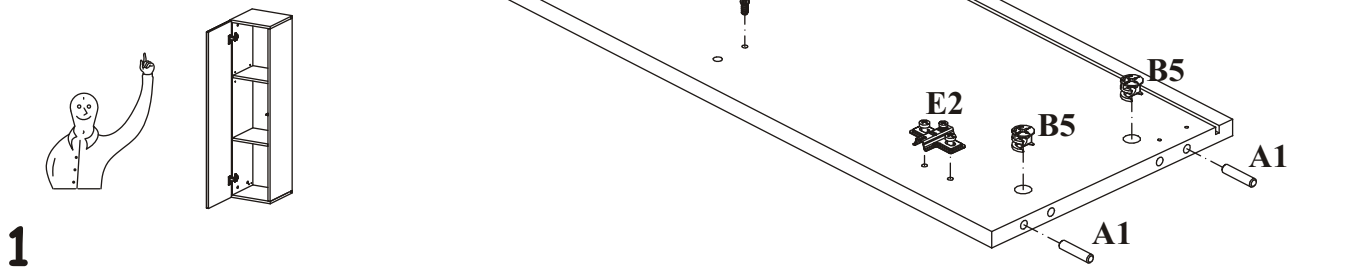
1



2



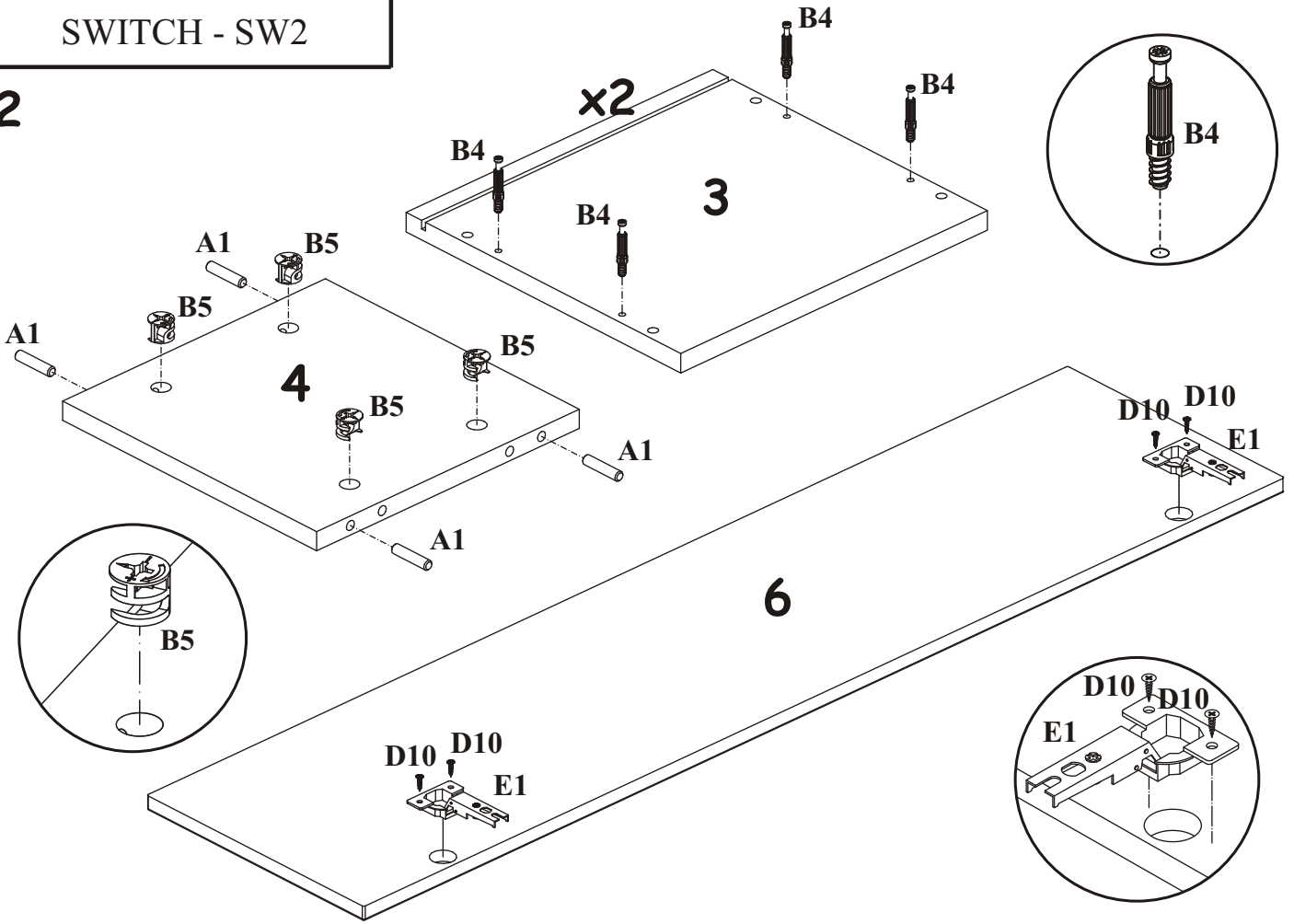
1



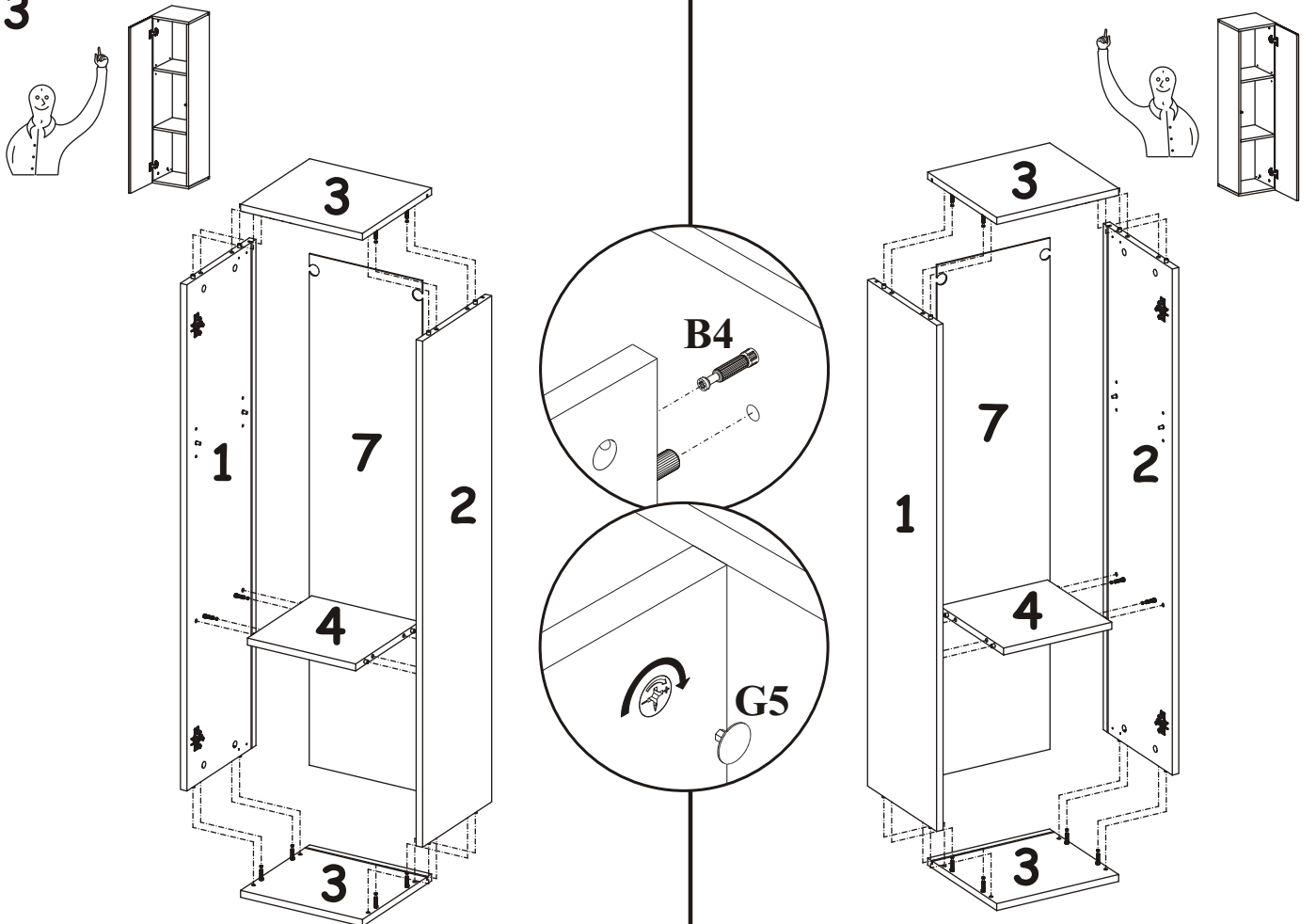
1

SWITCH - SW2

2

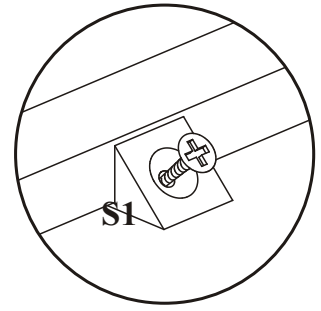
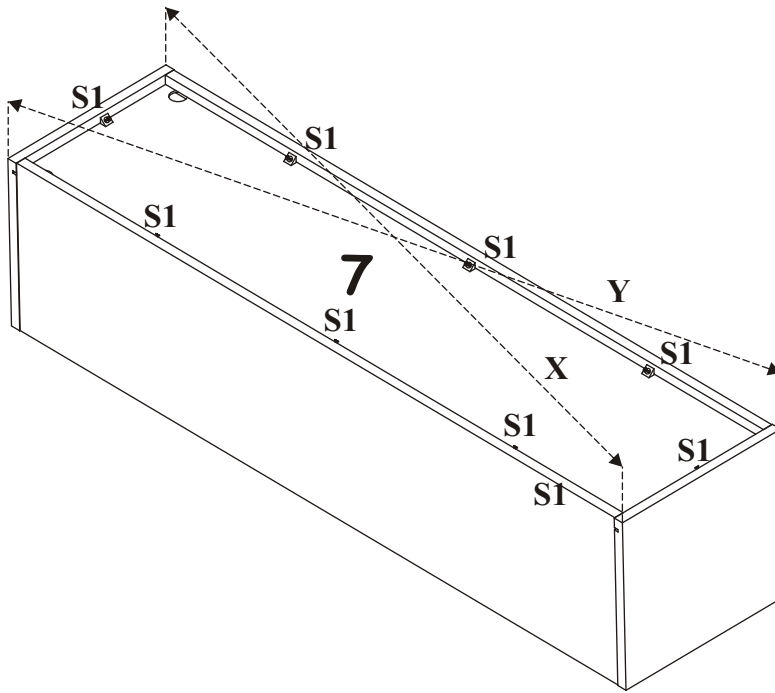


3



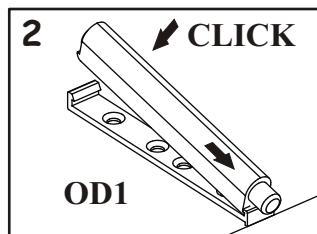
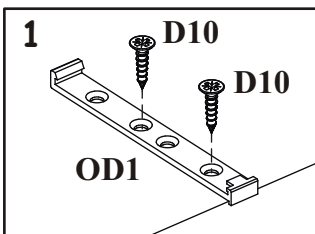
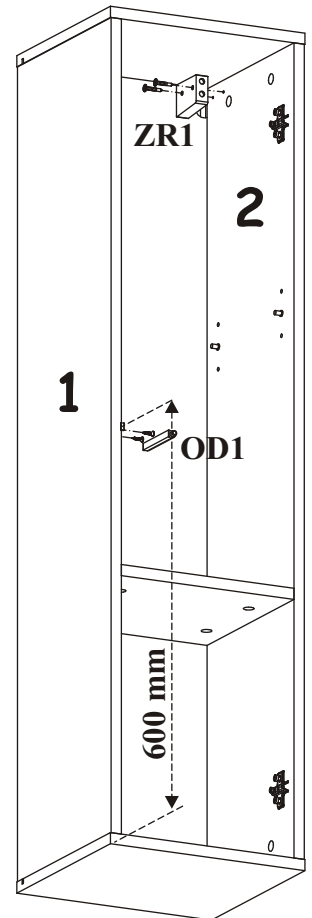
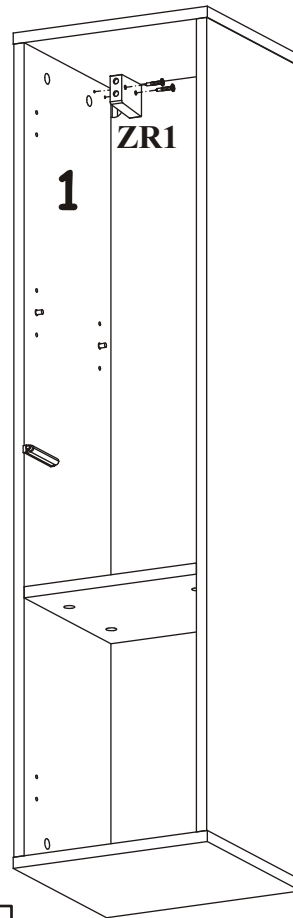
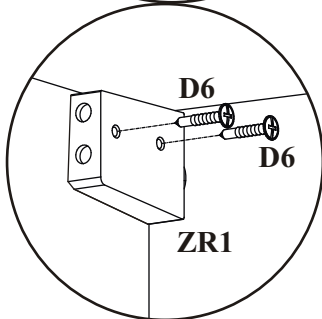
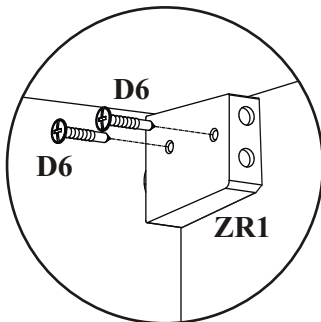
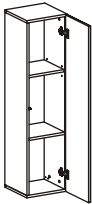
SWITCH - SW2

4



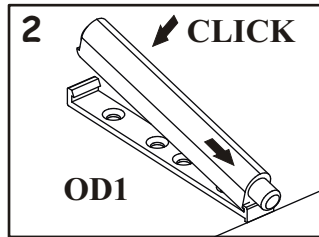
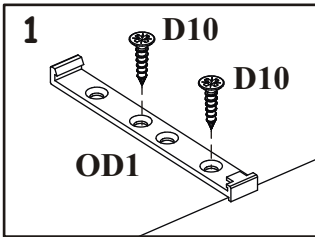
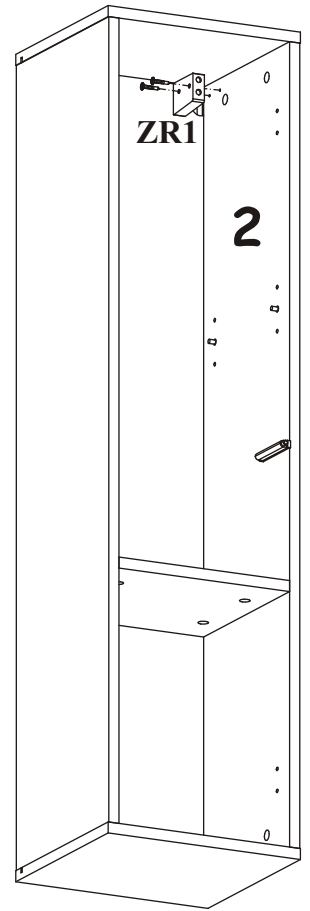
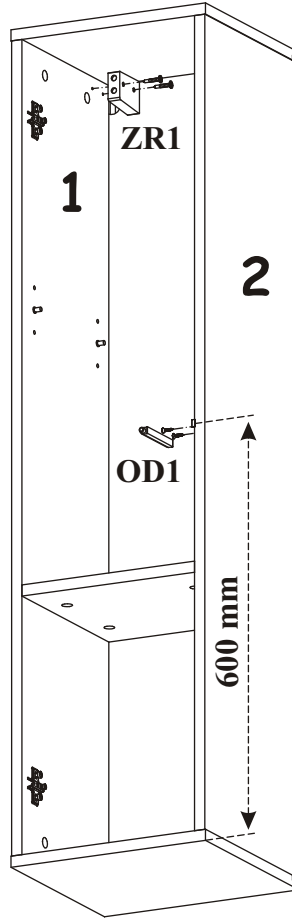
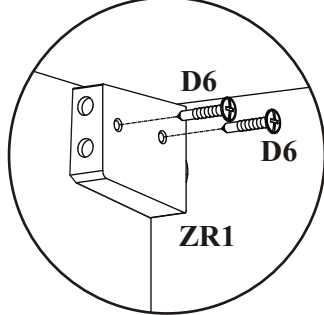
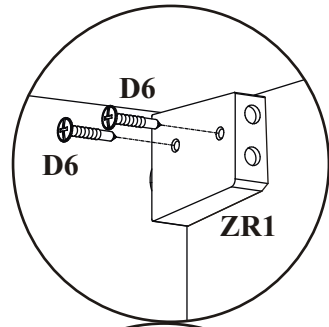
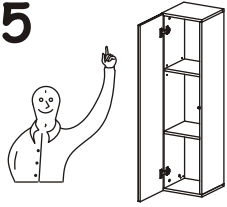
$X=Y$ $\angle 90^\circ$

5

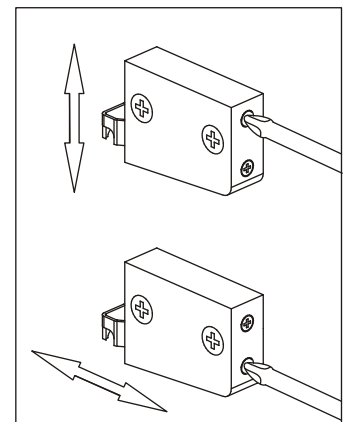
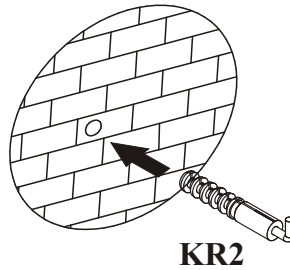
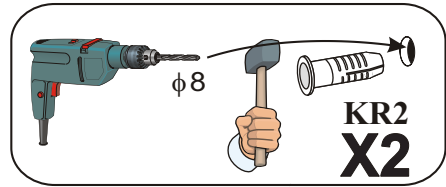
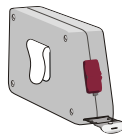
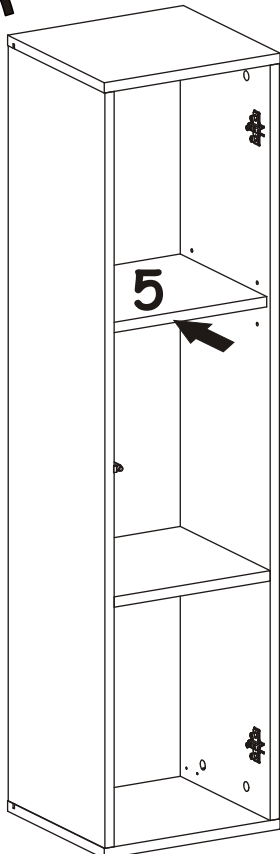
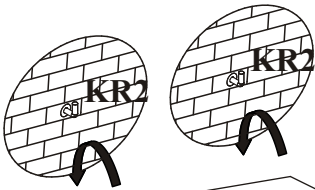


SWITCH - SW2

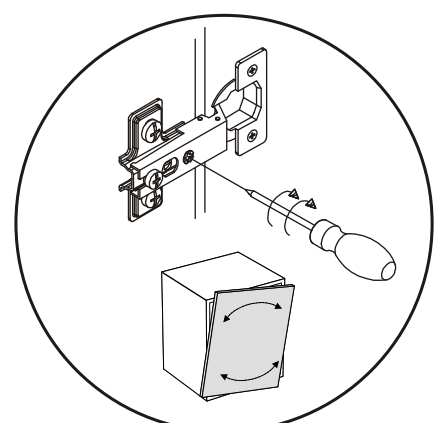
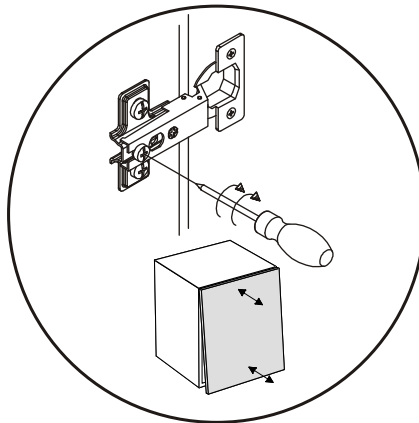
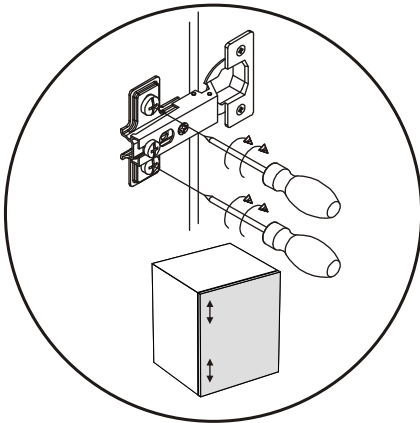
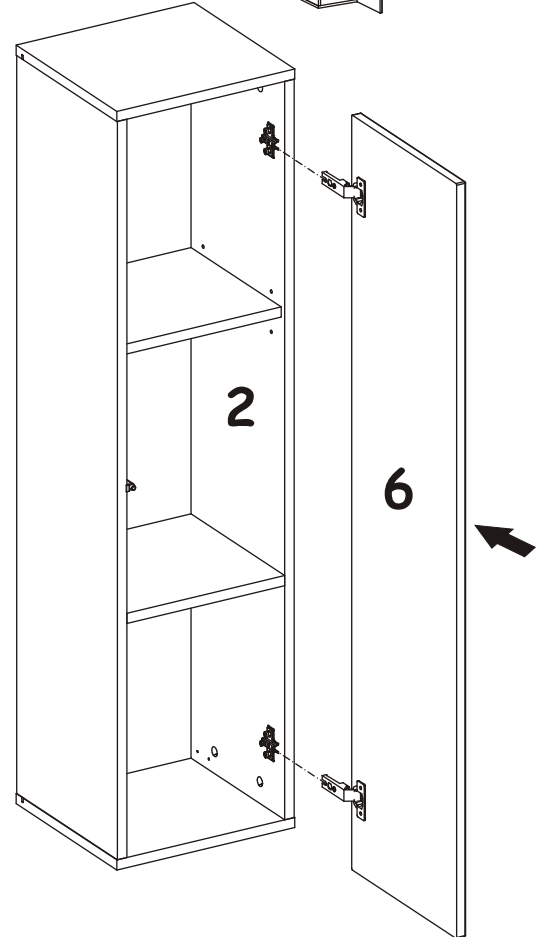
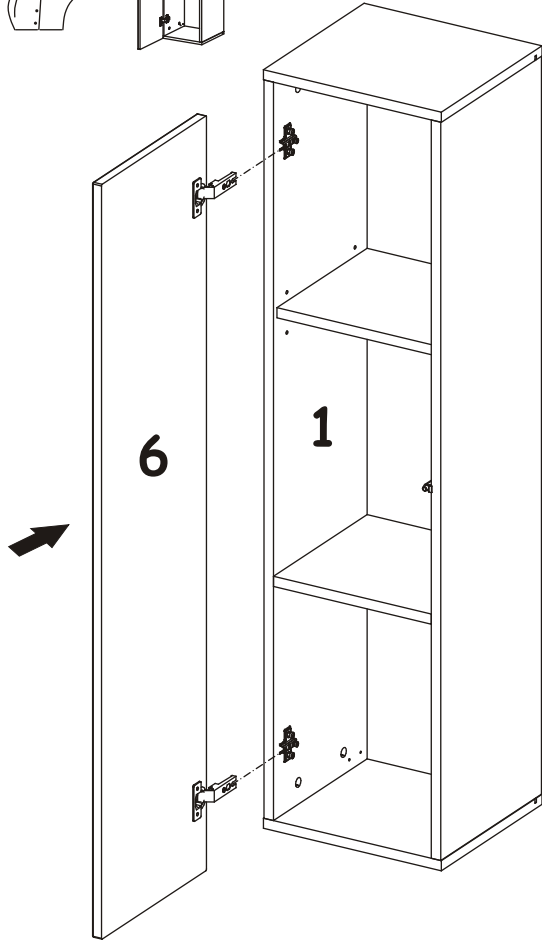
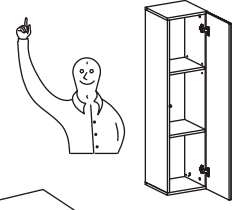
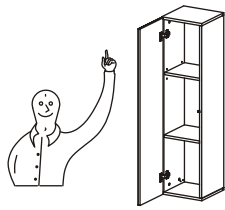
5



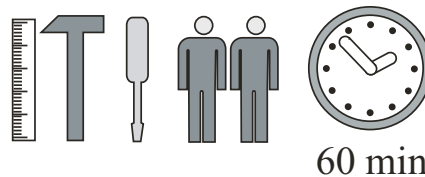
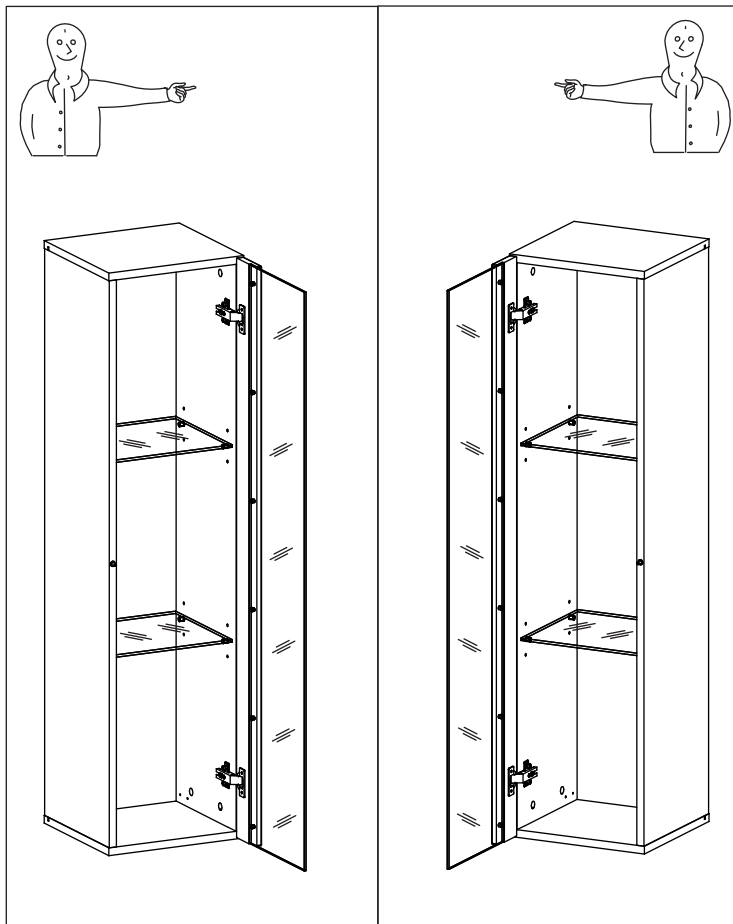
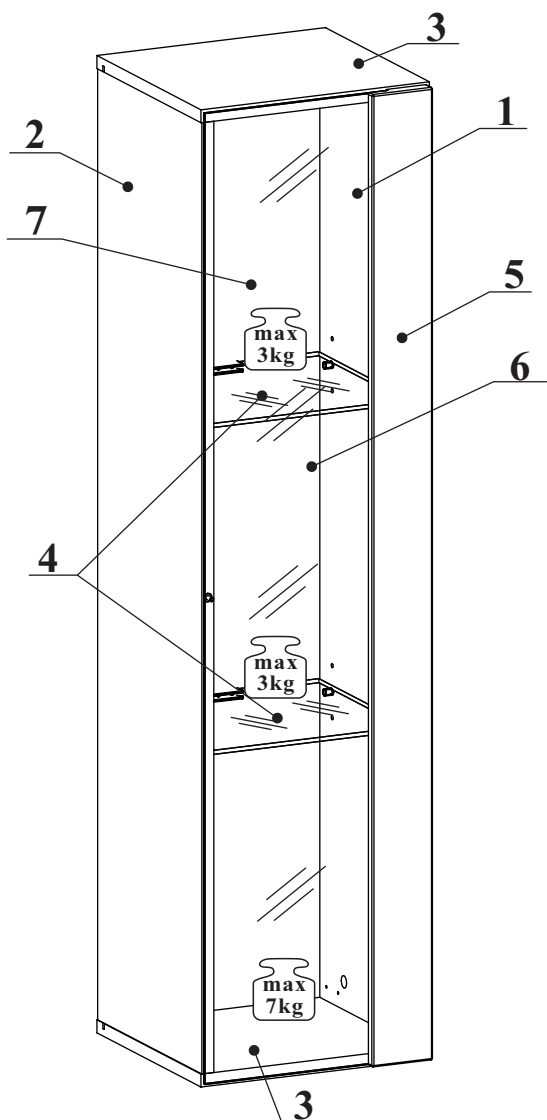
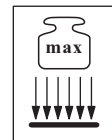
6



7



SWITCH WW 2

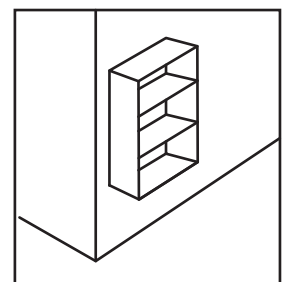
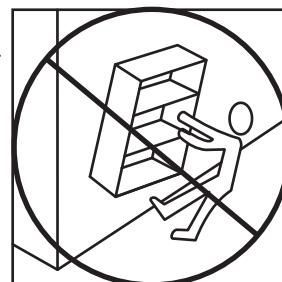
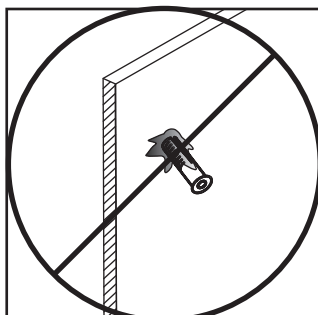
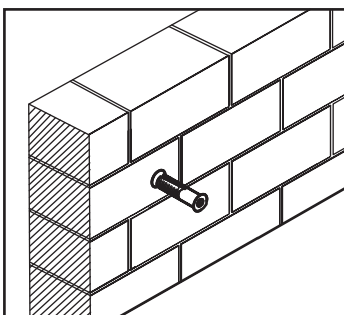
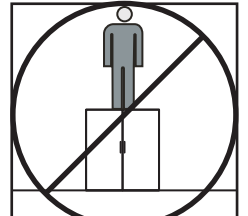
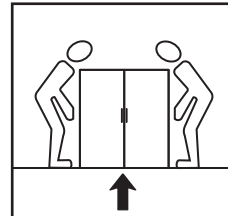
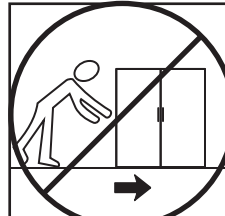
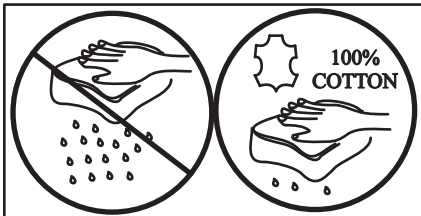
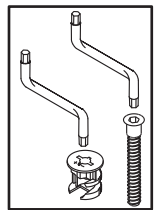
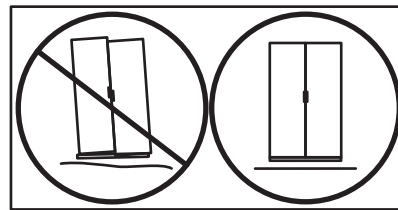
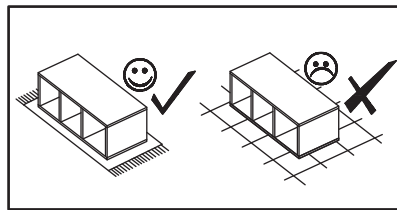
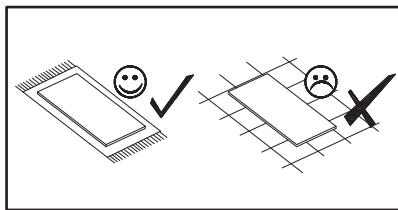
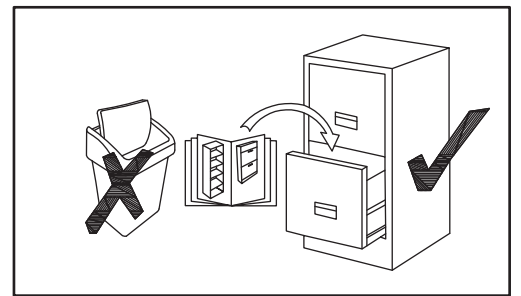
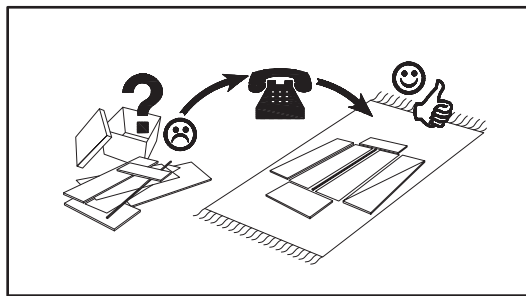
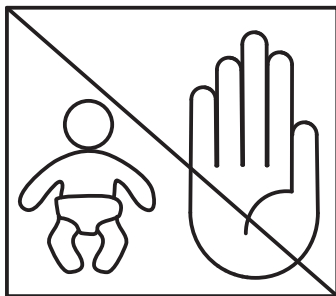
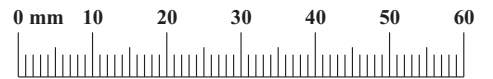


60 min

NO	Dim.		Col.-No	Qty
1	1170	284	1	1
2	1170	284	1	1
3	302	284	1	2
4	266	249	1	2
5	80	1196	1	1
6	1194	241	1	1
7	1182	280	1	1

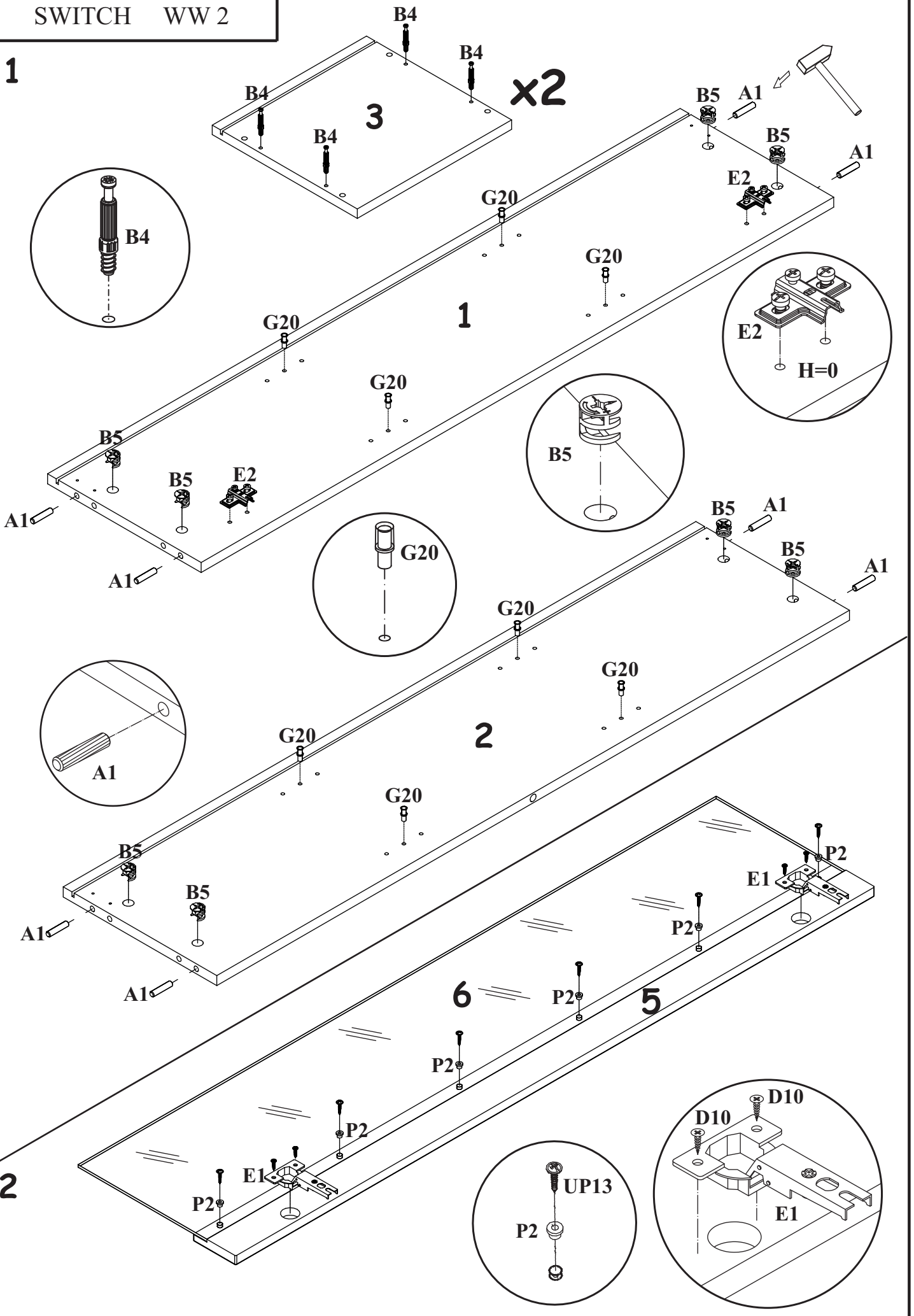
SWITCH WW 2

A1 X8 ø8x36	B4 X8	G5 X8	B5 X8 ø15x12	ZR1 X2	D6 X4 USØ3,5x30
E1 X2 Ø26 H=0	E2 X2 H=0	D10 X4 USØ3,5x13	G20 X8	P2 X6	UP13 X6 UPØ3x16
OD X1 L=71,5	S1 X8	KR2 X2	G2 X1	LED X1 X2	



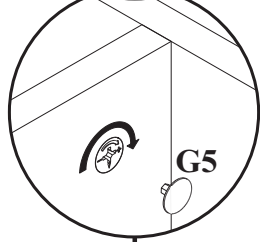
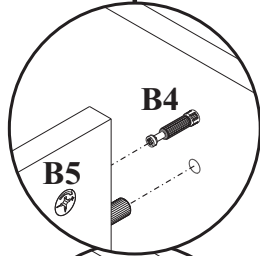
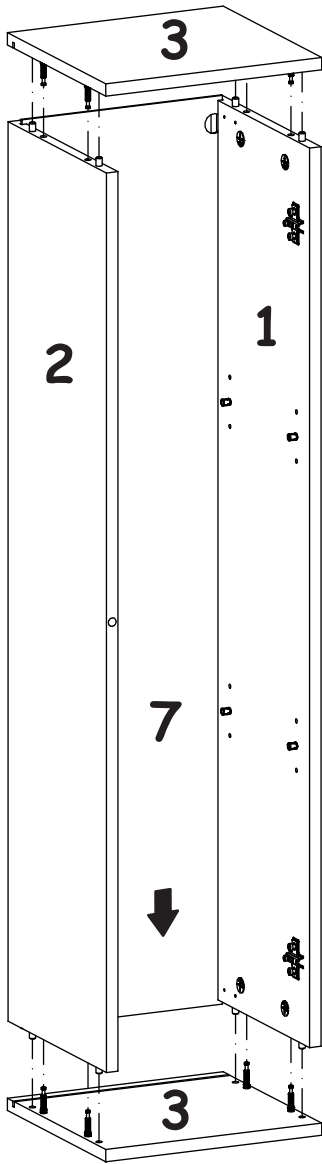
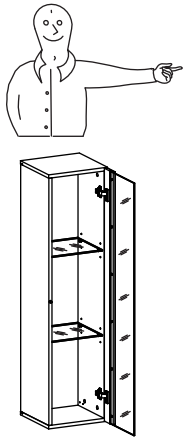
SWITCH WW 2

1

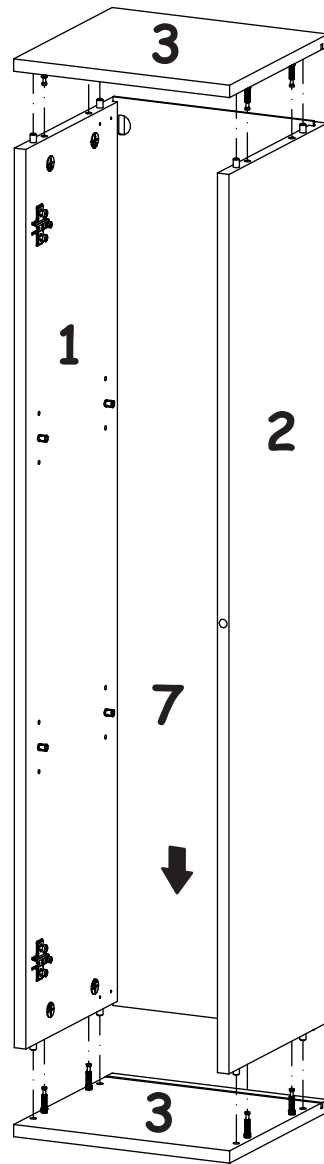
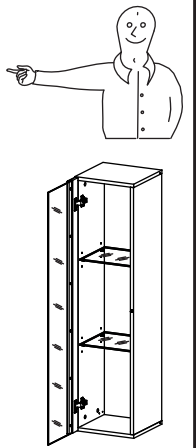


SWITCH WW 2

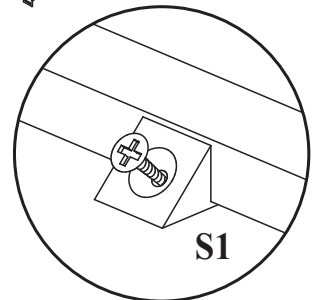
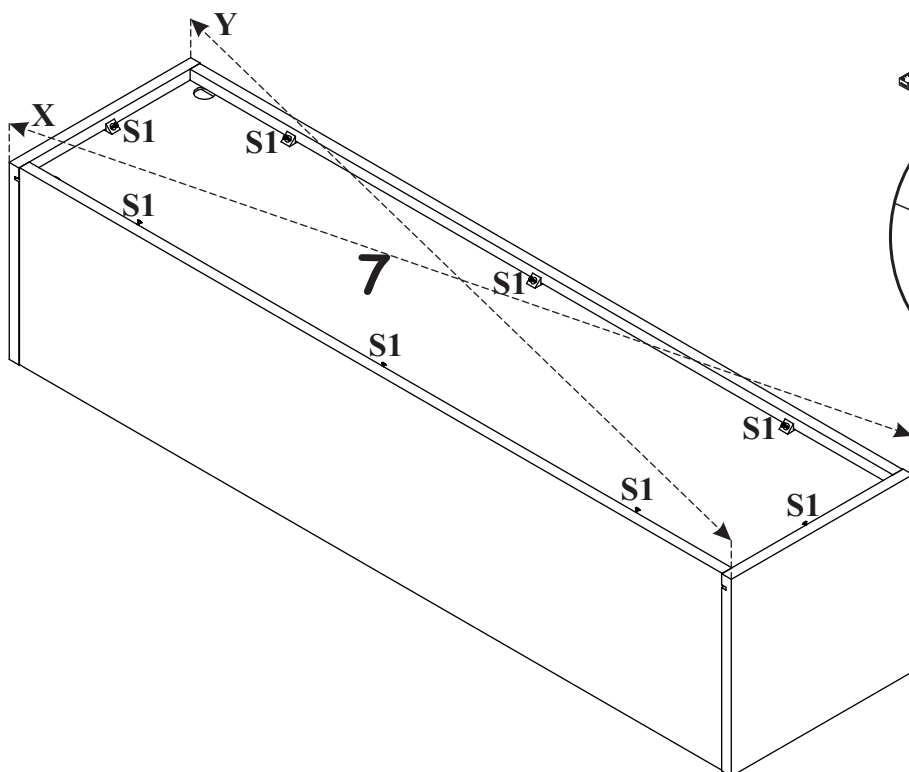
3



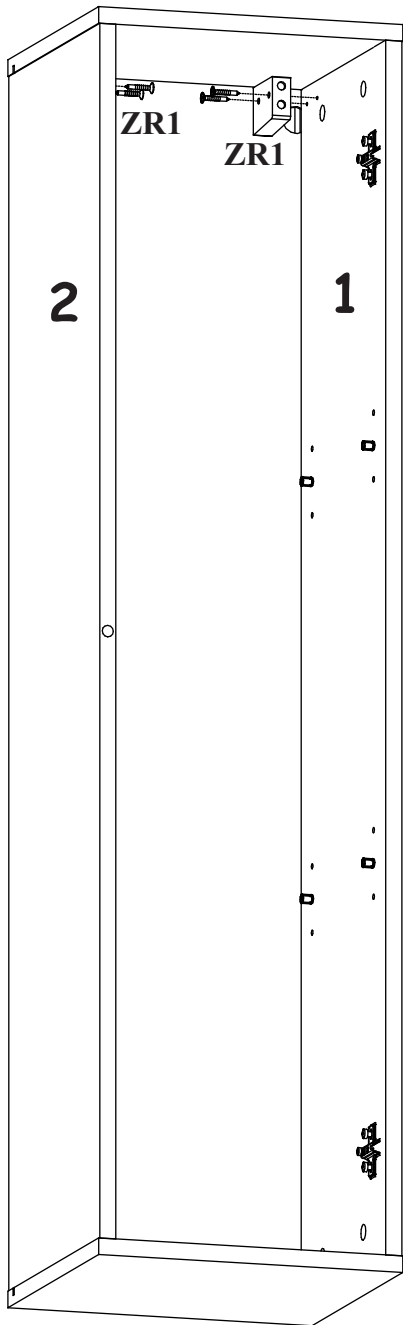
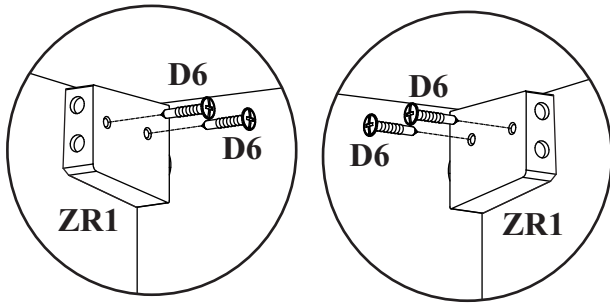
3



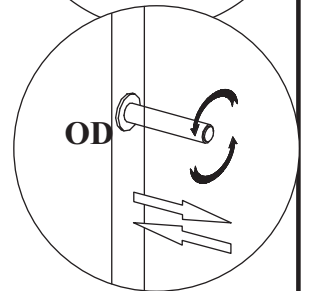
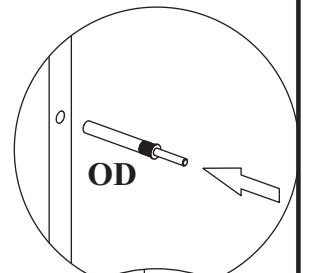
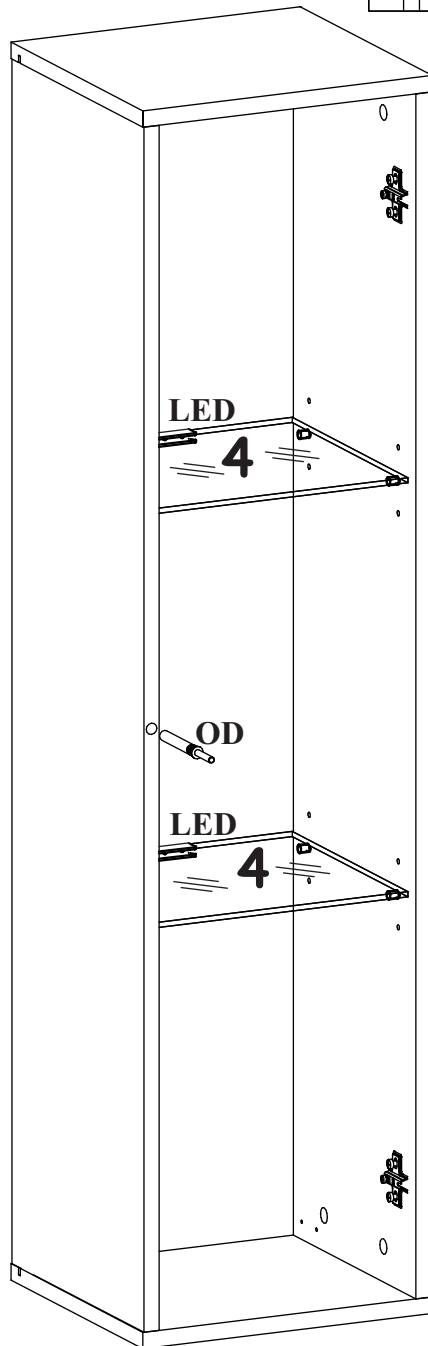
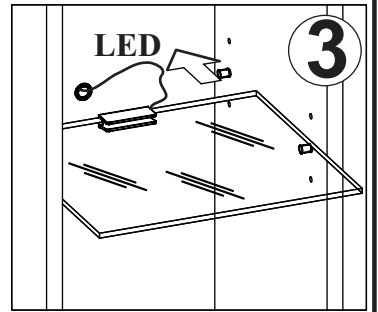
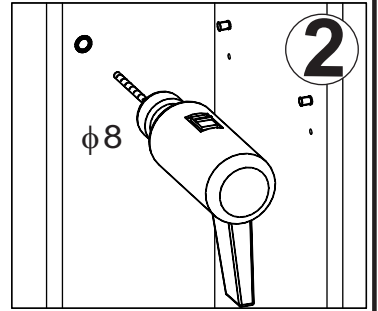
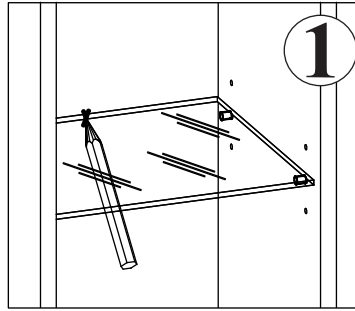
4



5

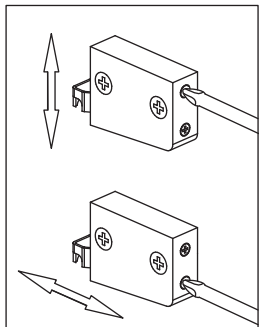
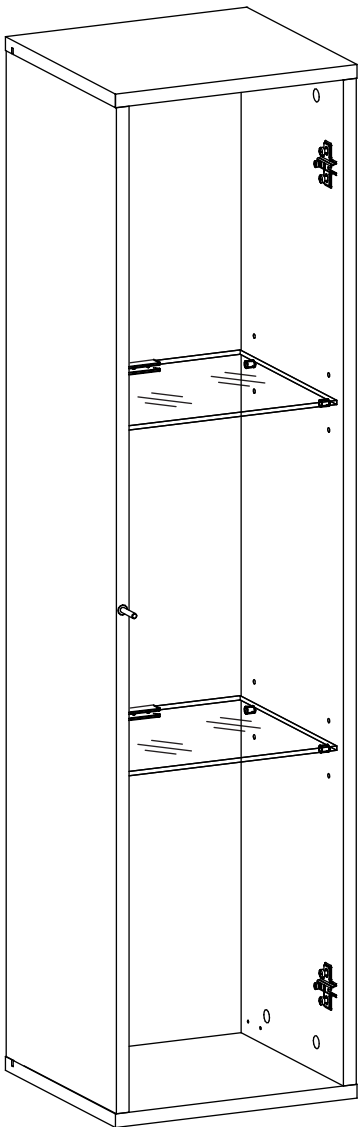
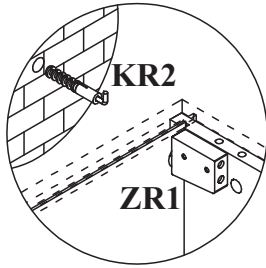
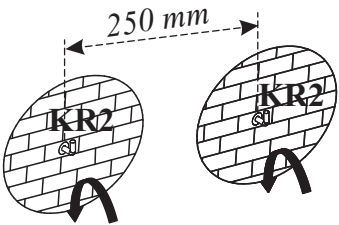
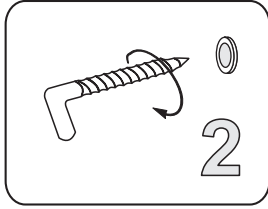
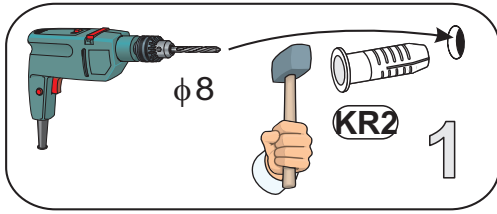


6

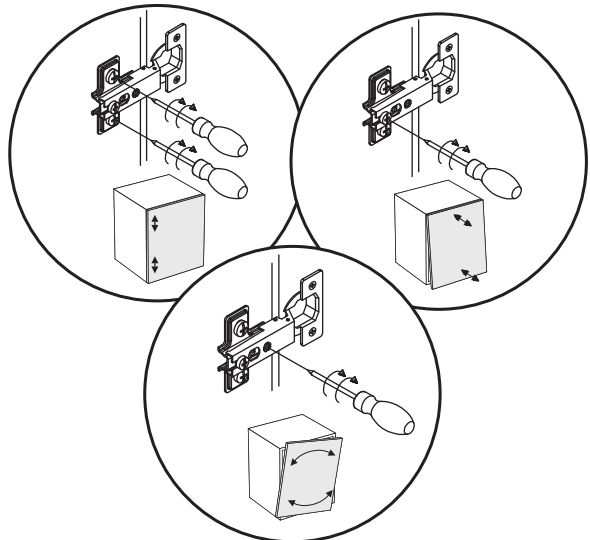
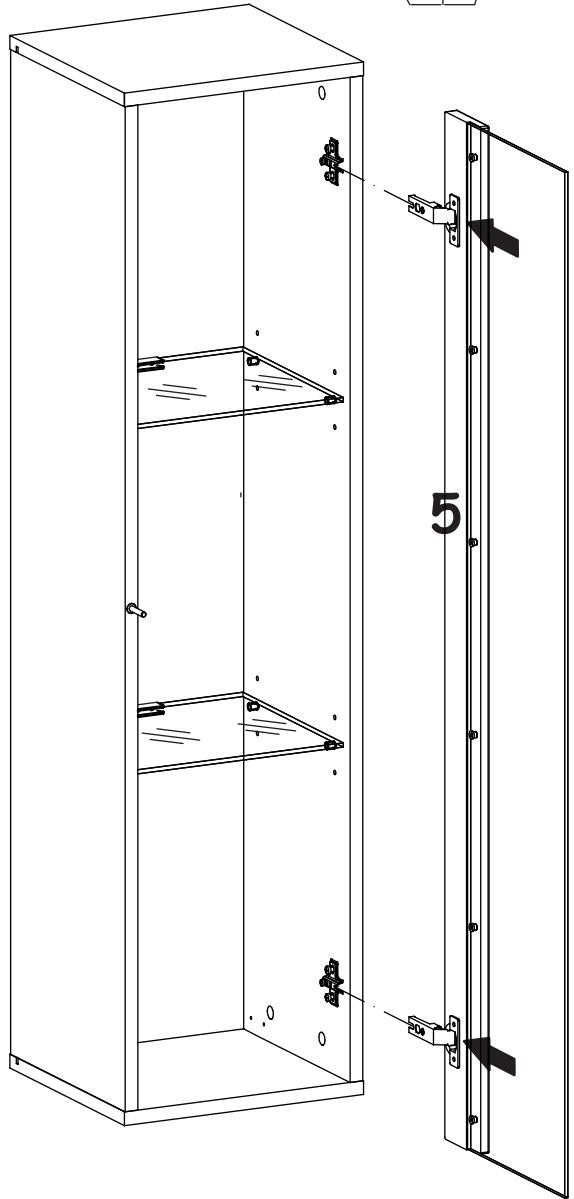
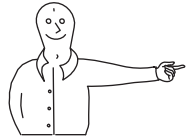


SWITCH WW 2

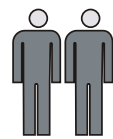
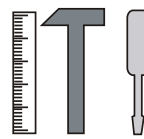
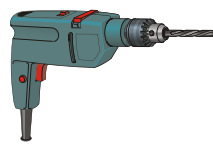
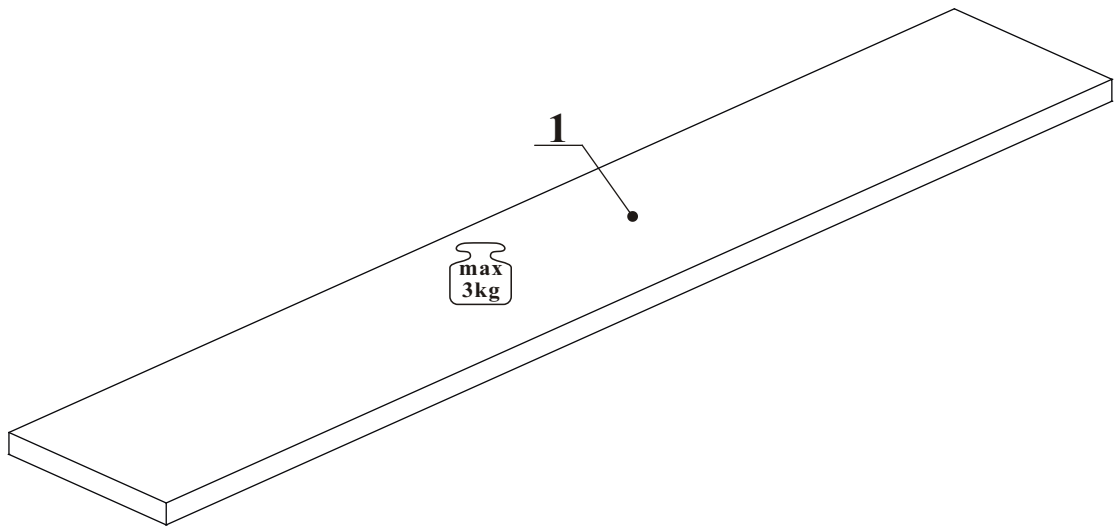
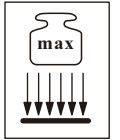
7



8



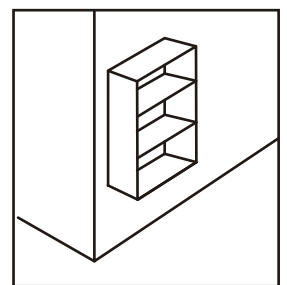
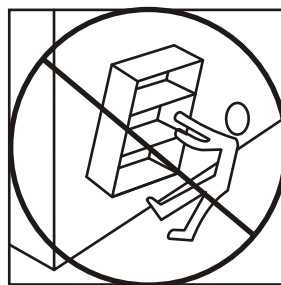
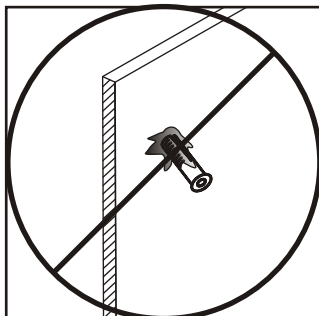
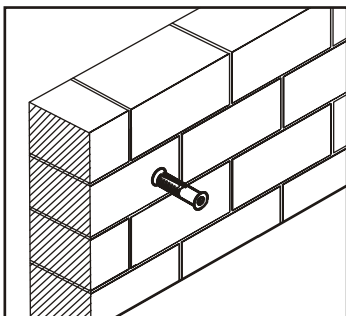
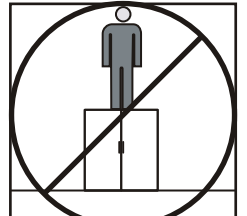
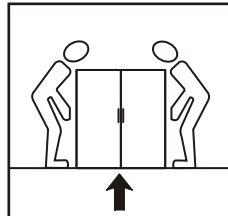
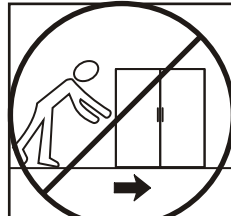
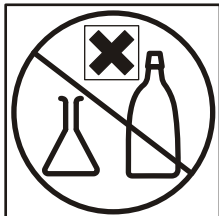
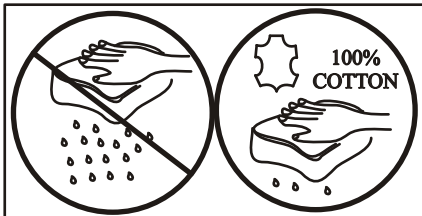
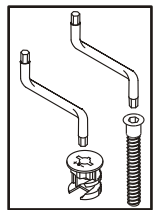
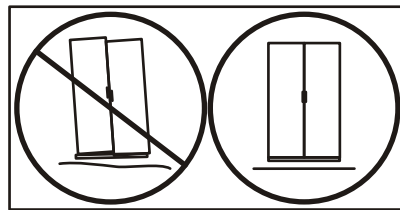
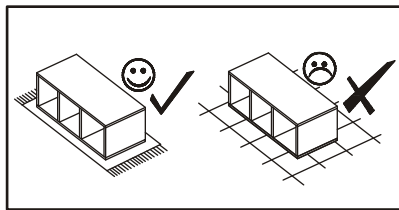
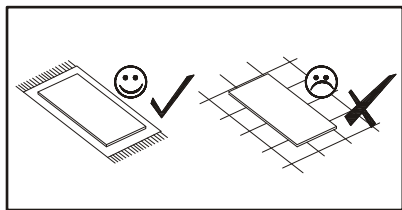
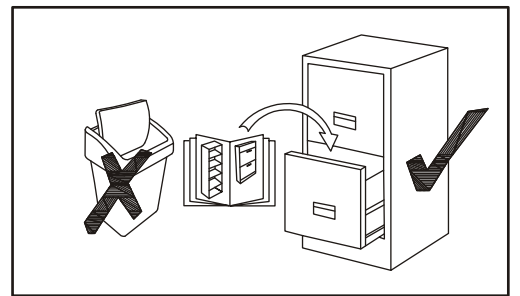
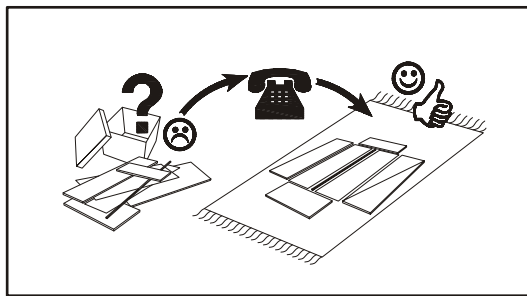
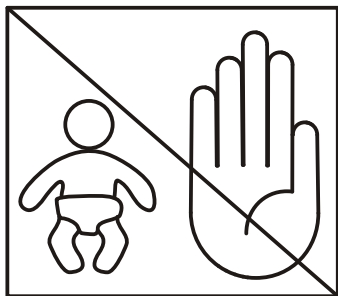
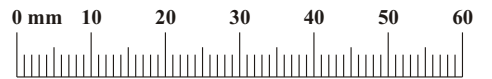
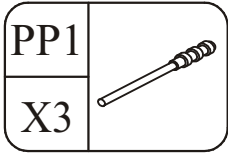
SWITCH PW 2



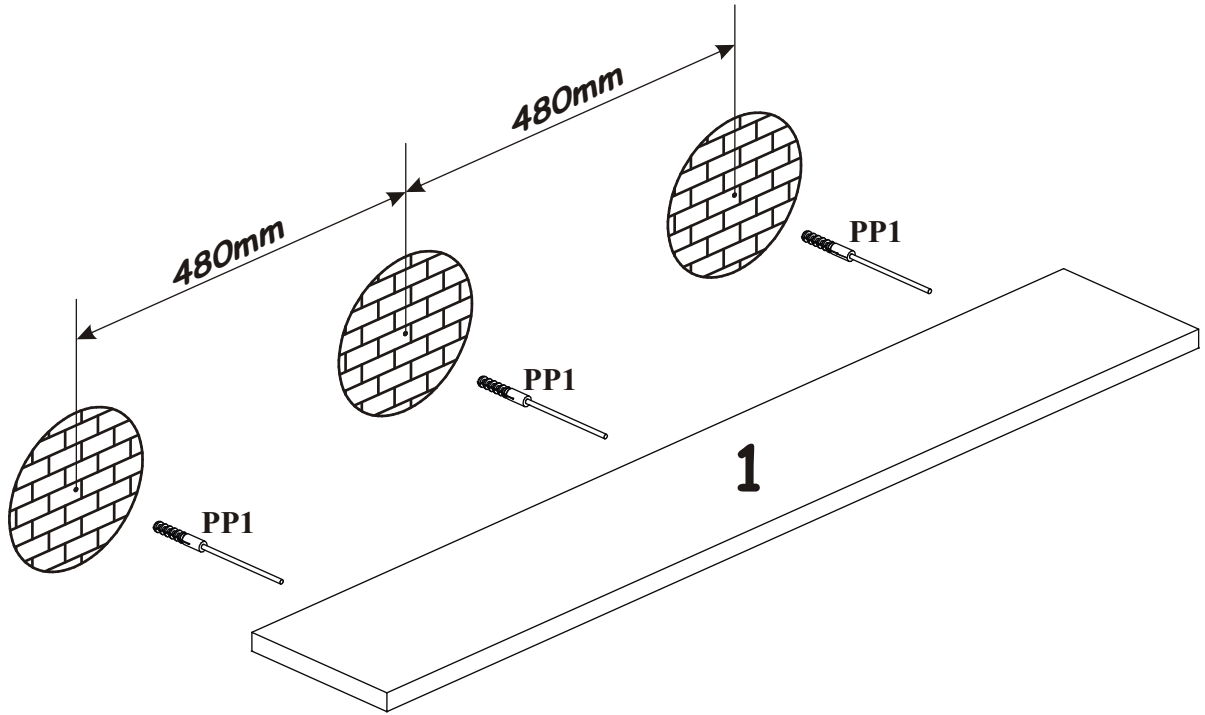
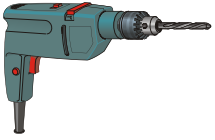
10 min

NO	Dim.		Col.-No	Qty
1	1202	200	1	1

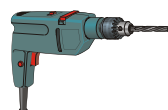
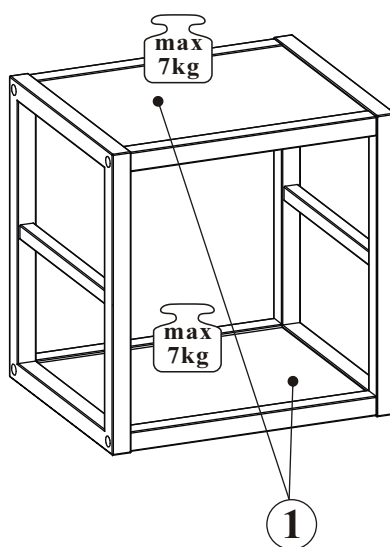
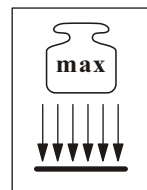
SWITCH PW 2



SWITCH PW 2




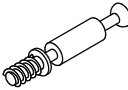


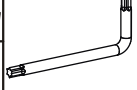
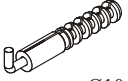


SWITCH 27_SW RM5

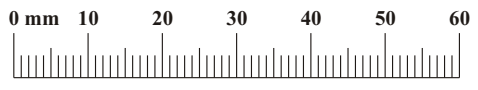
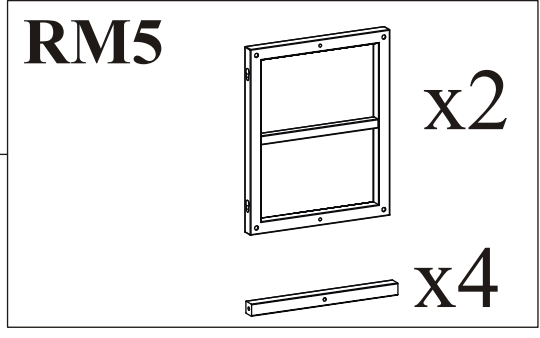
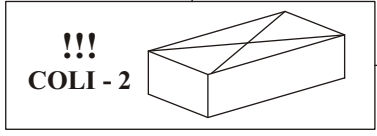


30 min

NO	Dim.			Col.-No	Qty
1	260	208	16	1	2

SWITCH 27__SW RM5

B5 x8	 Ø15x12	B20 x8		G5 x8		G2 x1		GSZ x1		KR3 x4	 Ø10
D60 x8	 M6x30	G12 x8	 Ø14								



A collection of safety and installation icons:

- Prohibited: Child, Hand
- Call center support: Phone icon with question mark and thumbs up/down
- Prohibited: Discarding in trash, Correct: Discarding in recycling bin
- Prohibited: Incorrect mat placement, Correct: Correct mat placement
- Prohibited: Incorrect window opening, Correct: Correct window opening
- Prohibited: Using tools on mat
- Prohibited: Washing with harsh chemicals, Correct: Washing with 100% Cotton soap
- Prohibited: Drinking from bottles
- Prohibited: Pushing/pulling incorrectly
- Prohibited: Standing on mat
- Prohibited: Using mat as a shelf
- Correct: Using mat as a shelf
- Prohibited: Using sharp tools
- Correct: Using blunt tools
- Eye safety: Eye icon with thumbs up/down and sharp/blunt tools

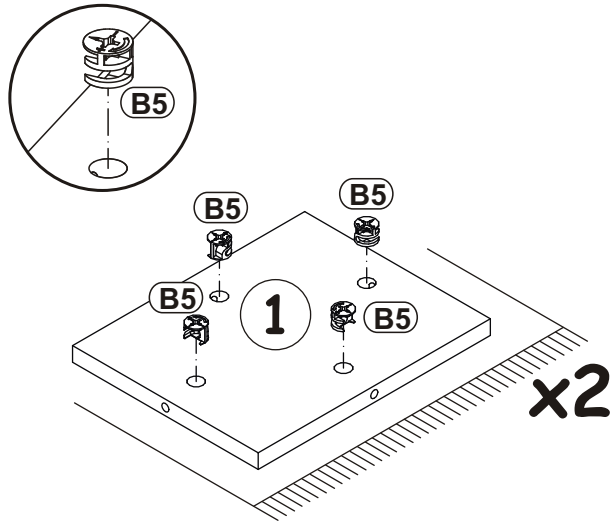
B5



x8

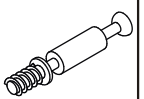
Ø15x12

1



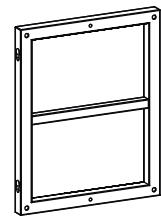
2

B20

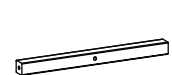
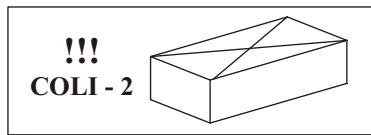


x8

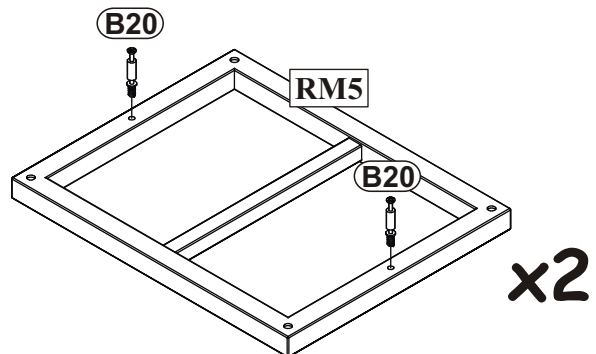
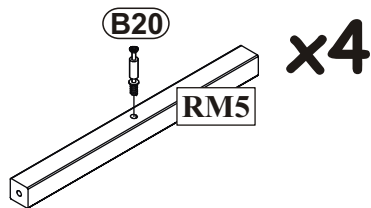
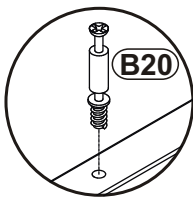
RM5



x2

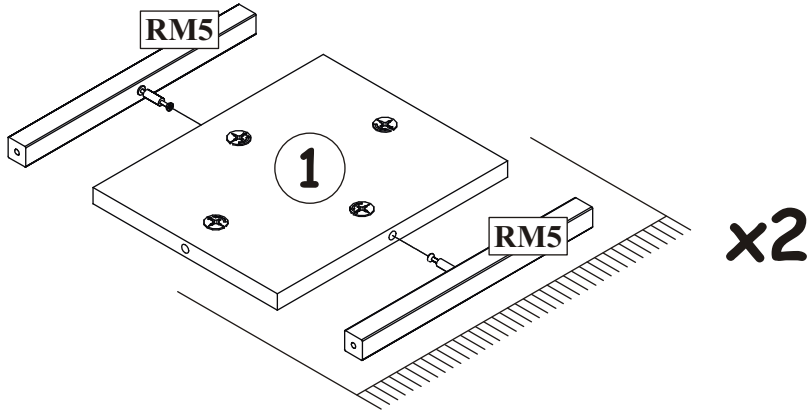


x4



SWITCH 27_SW RM5

3

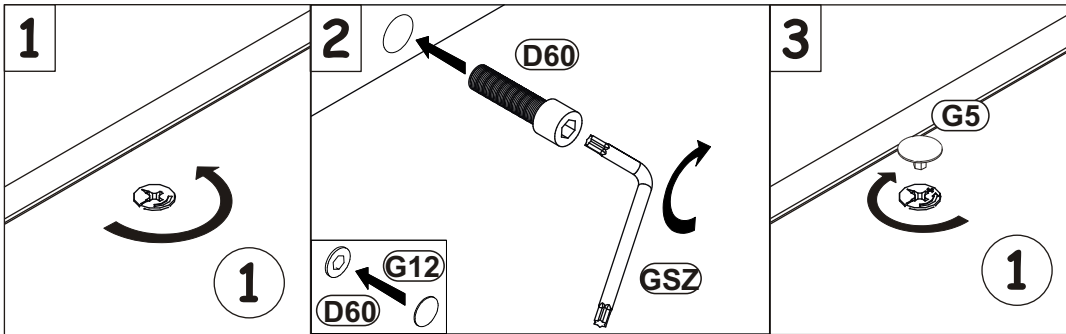


G5

x4



4



G5

x4



D60

x8

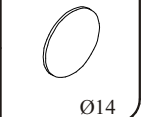
M6x30



G12

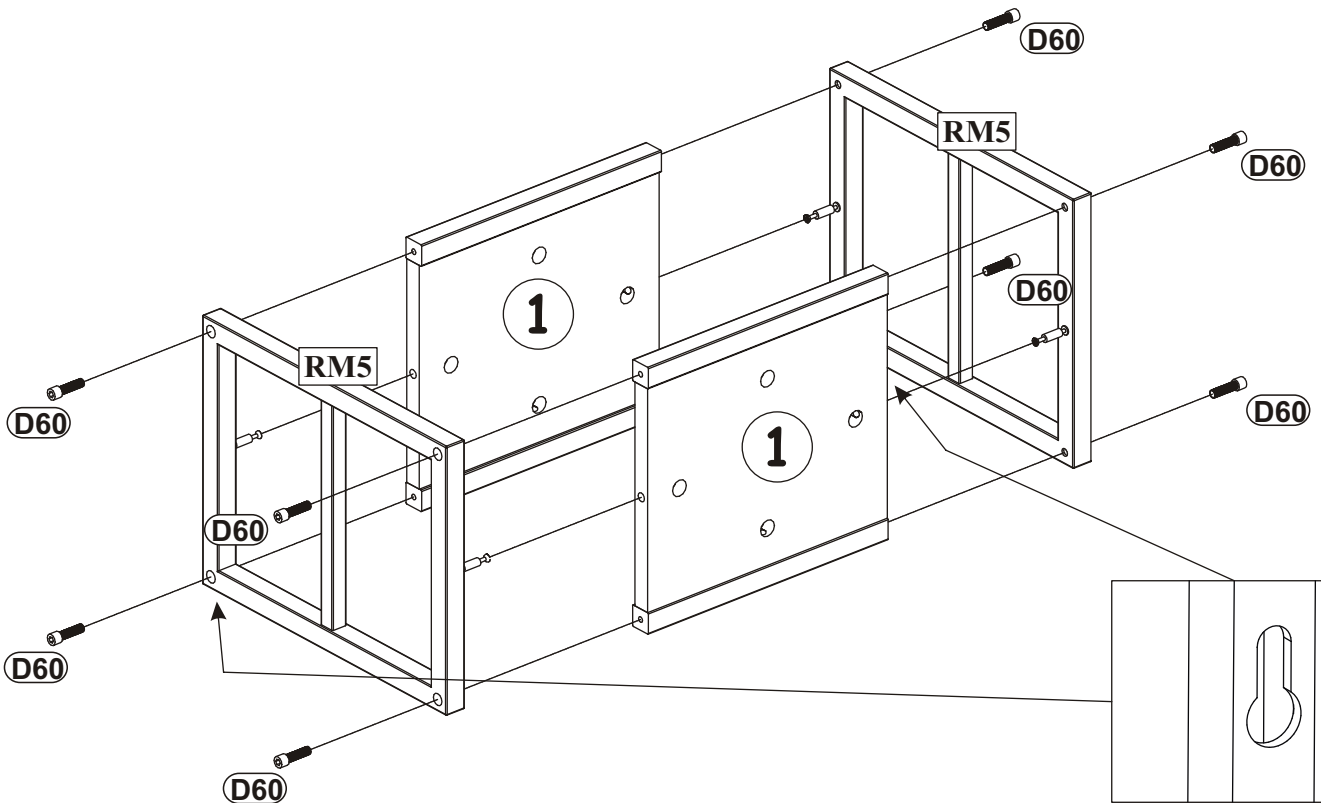
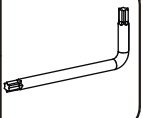
x8

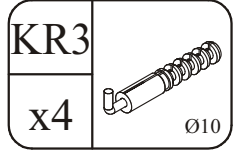
Ø14



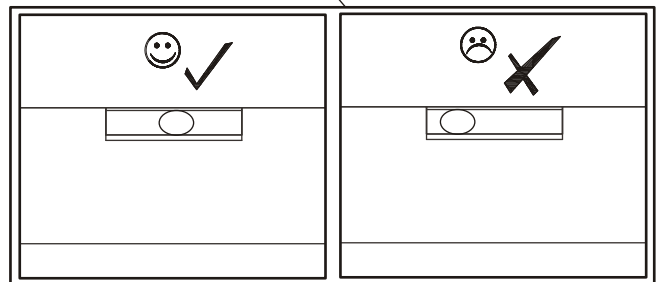
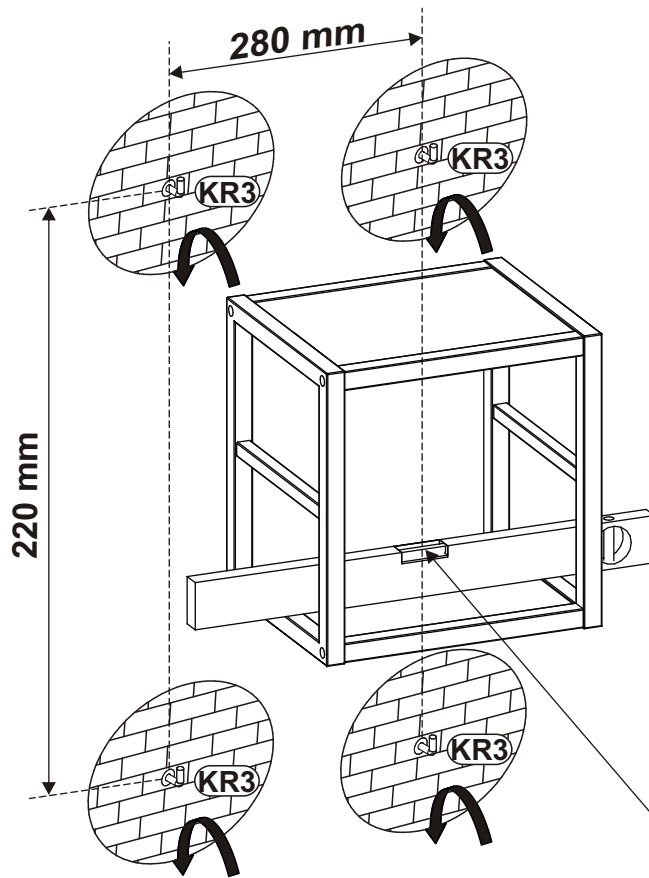
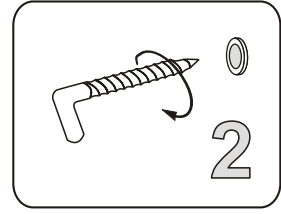
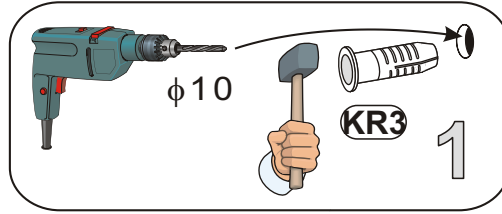
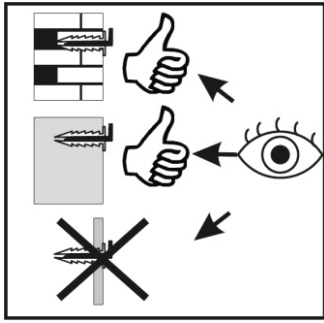
GSZ

x1

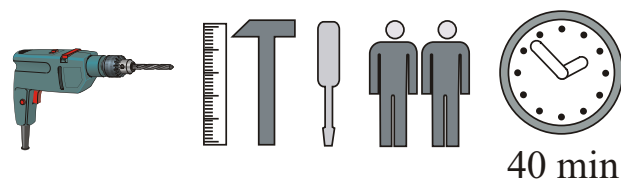
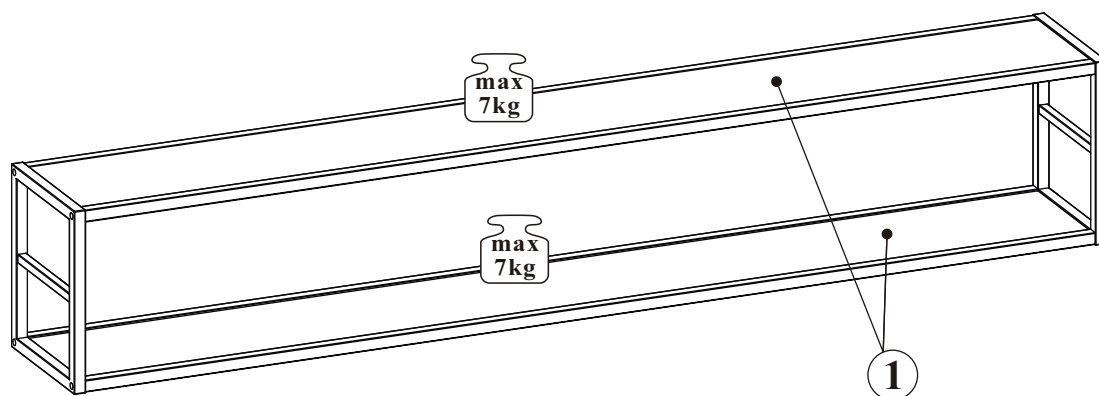
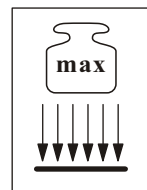




5


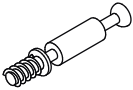


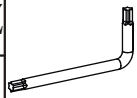
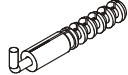




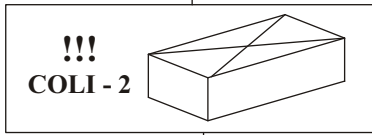
SWITCH 27_SW RM8



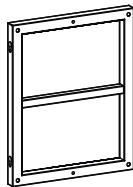
NO	Dim.			Col.-No	Qty
1	1760	208	16	1	2

SWITCH 27__SW RM8

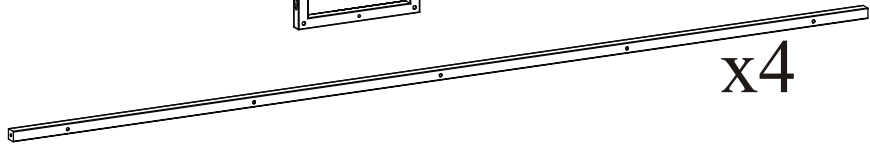
B5 x24	 Ø15x12	B20 x24		G5 x24		G2 x1		GSZ x1		KR3 x4	 Ø10
D60 x8	 M6x30	G12 x8	 Ø14								



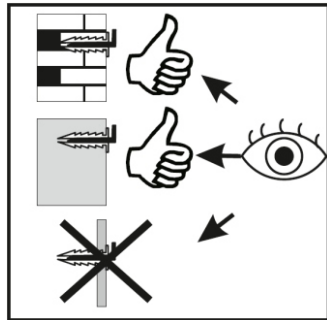
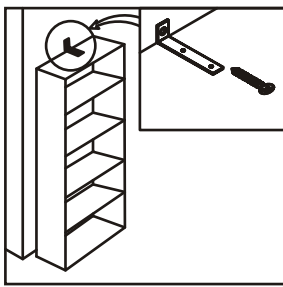
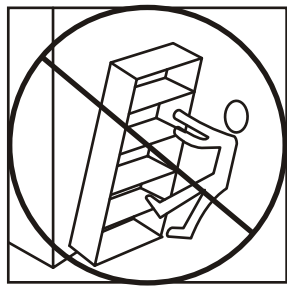
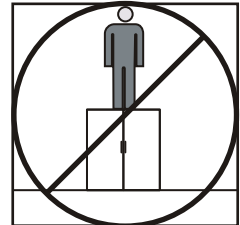
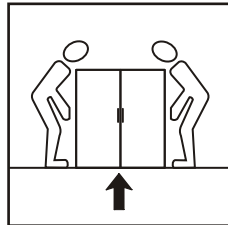
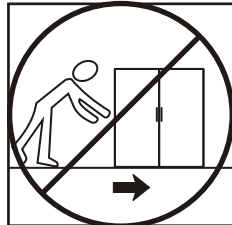
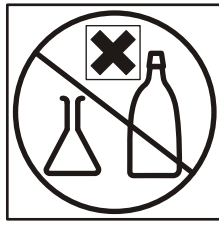
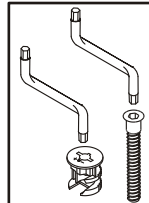
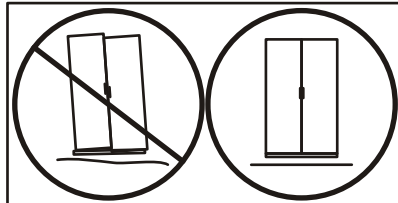
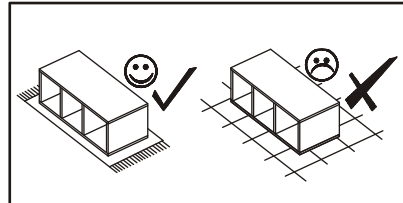
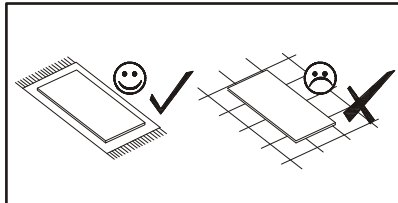
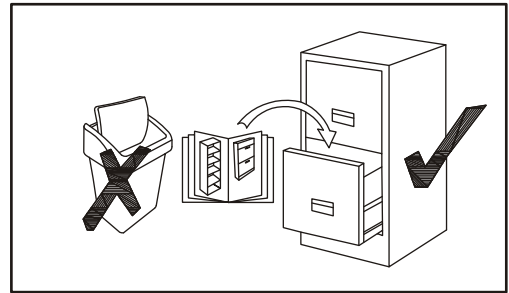
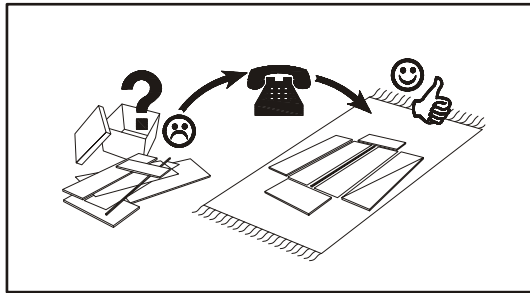
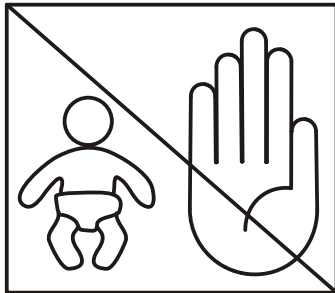
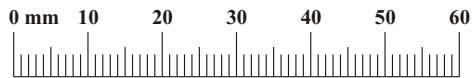
RM8



x2



x4



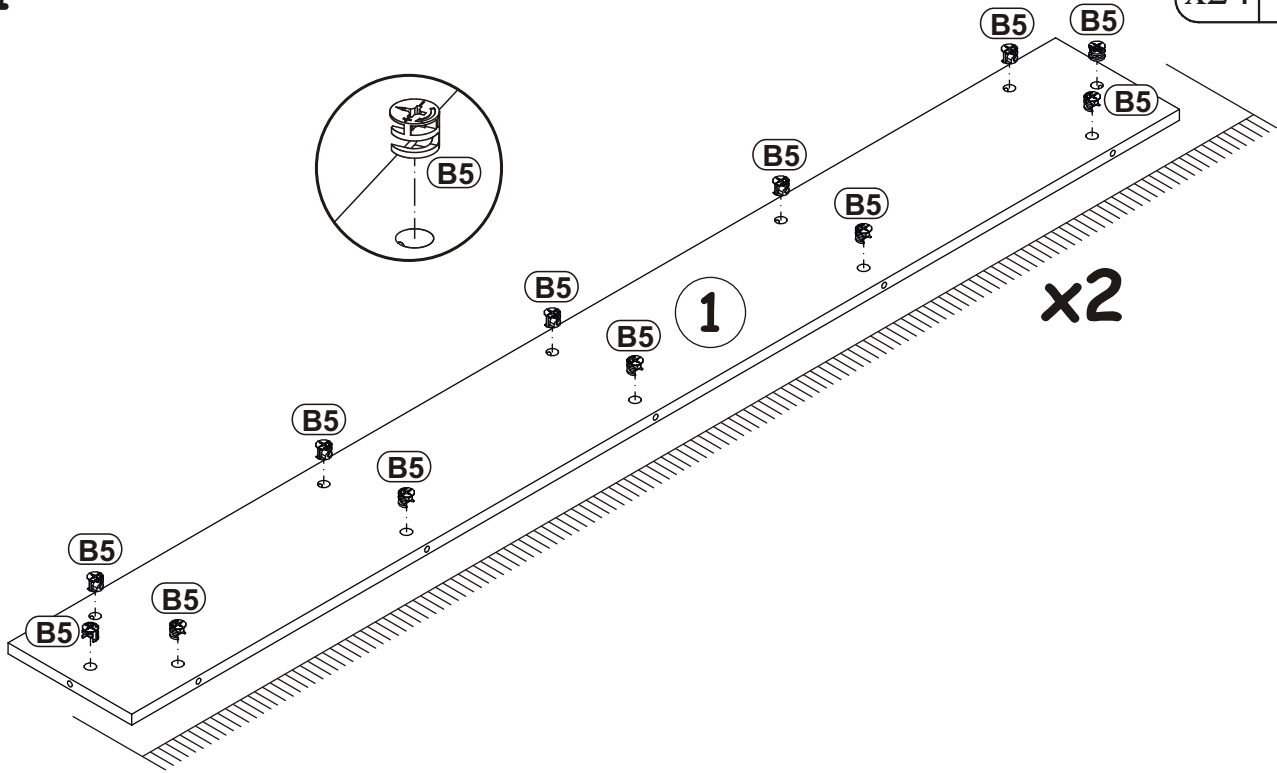
SWITCH 27__SW RM8

B5

x24



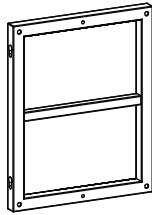
1



2

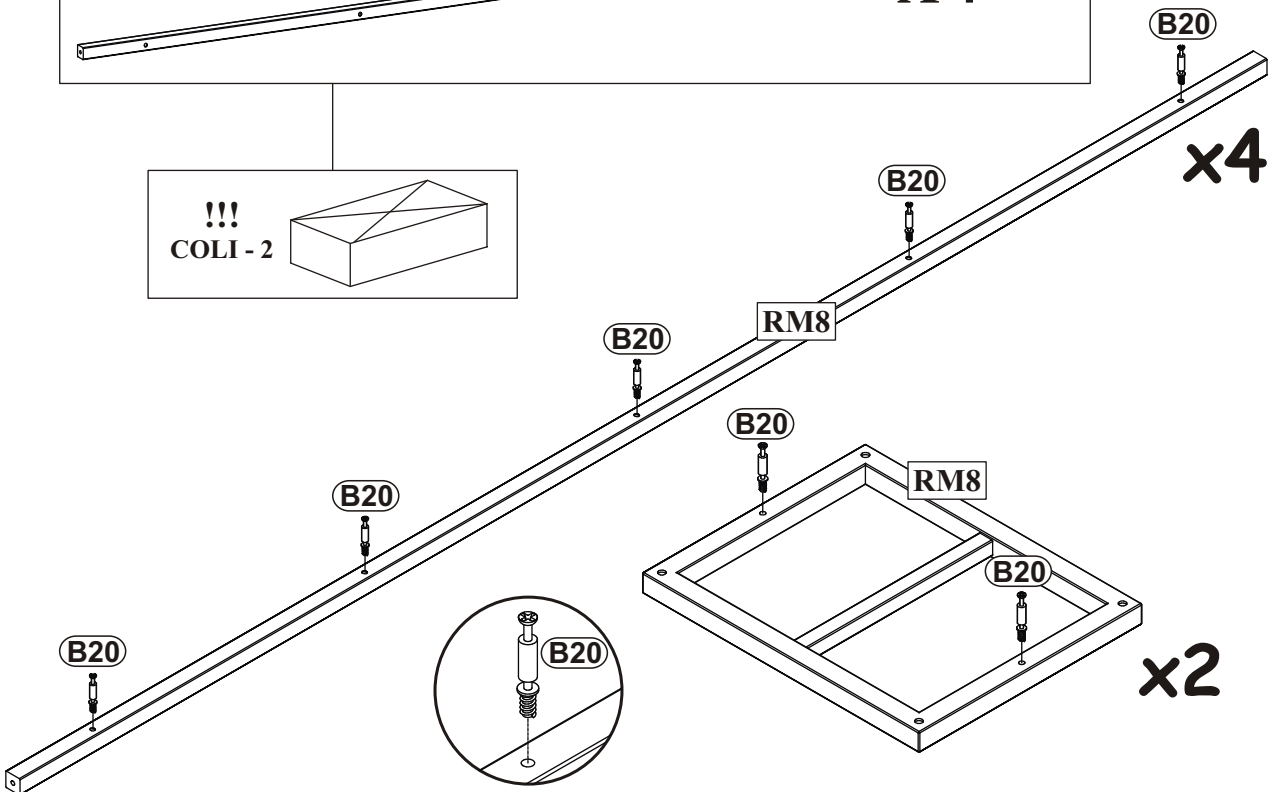
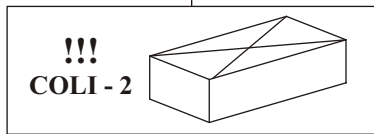
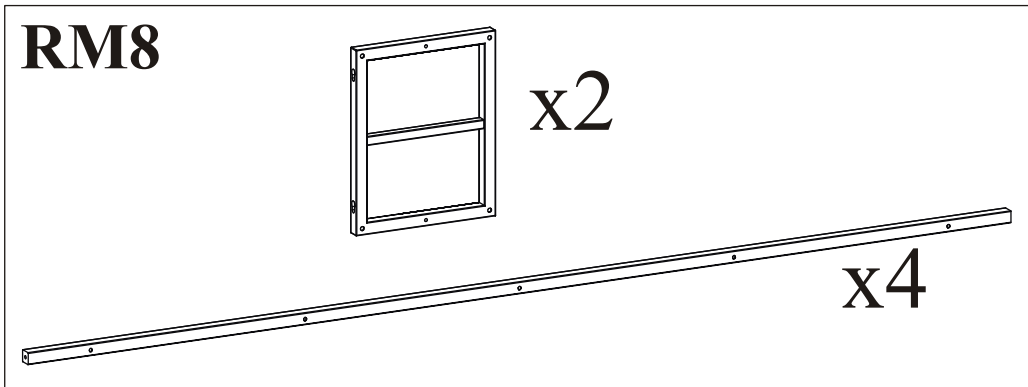
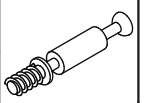
RM8

x2



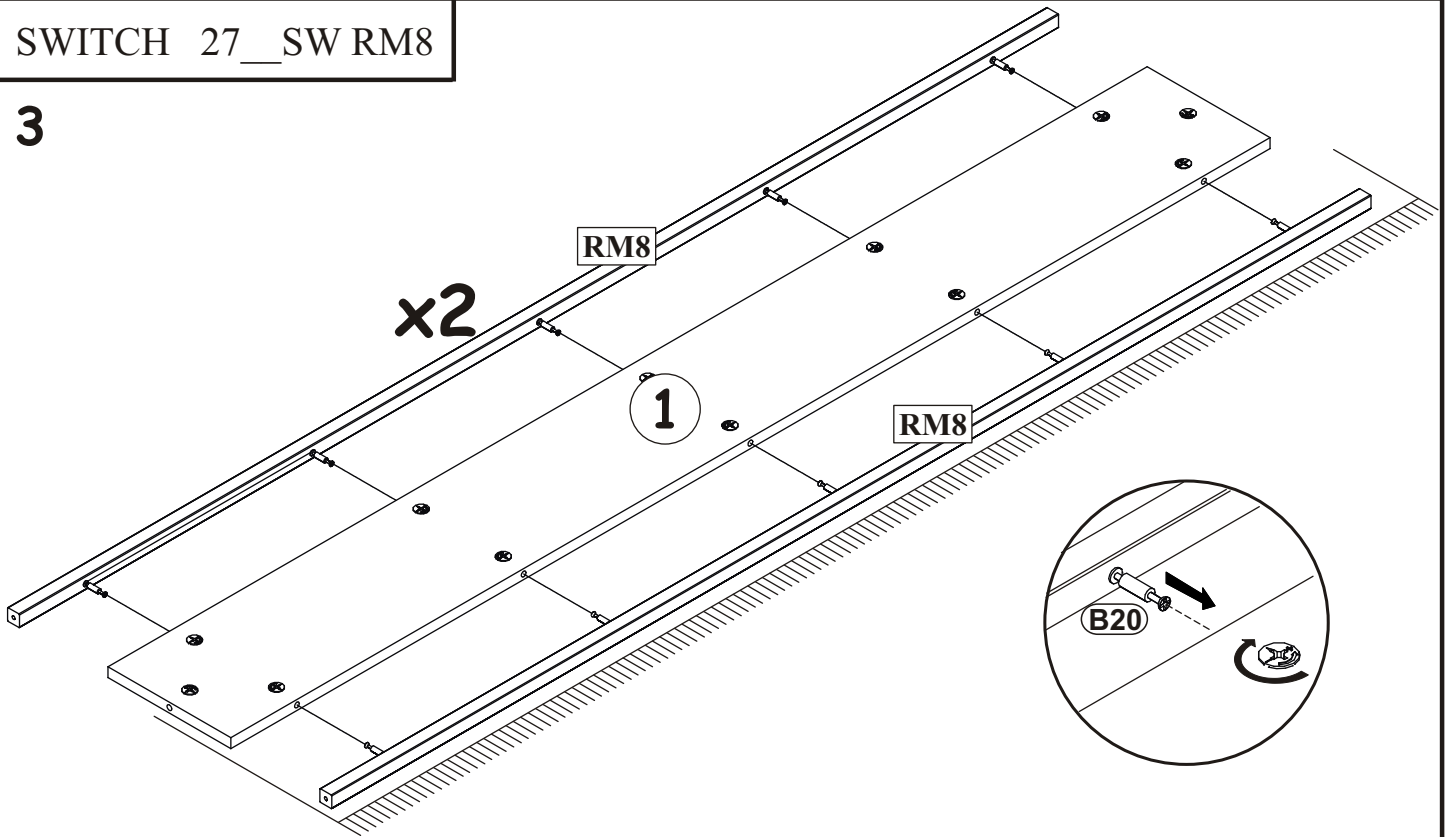
B20

x24

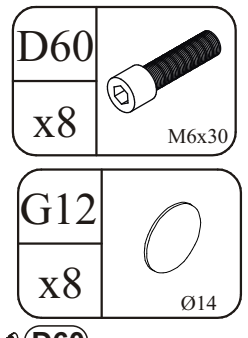
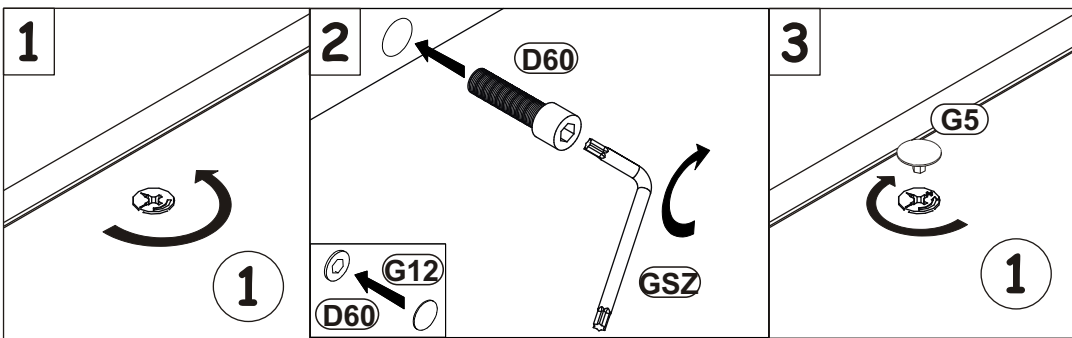


SWITCH 27_SW RM8

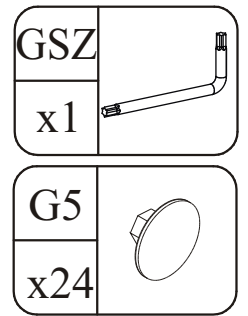
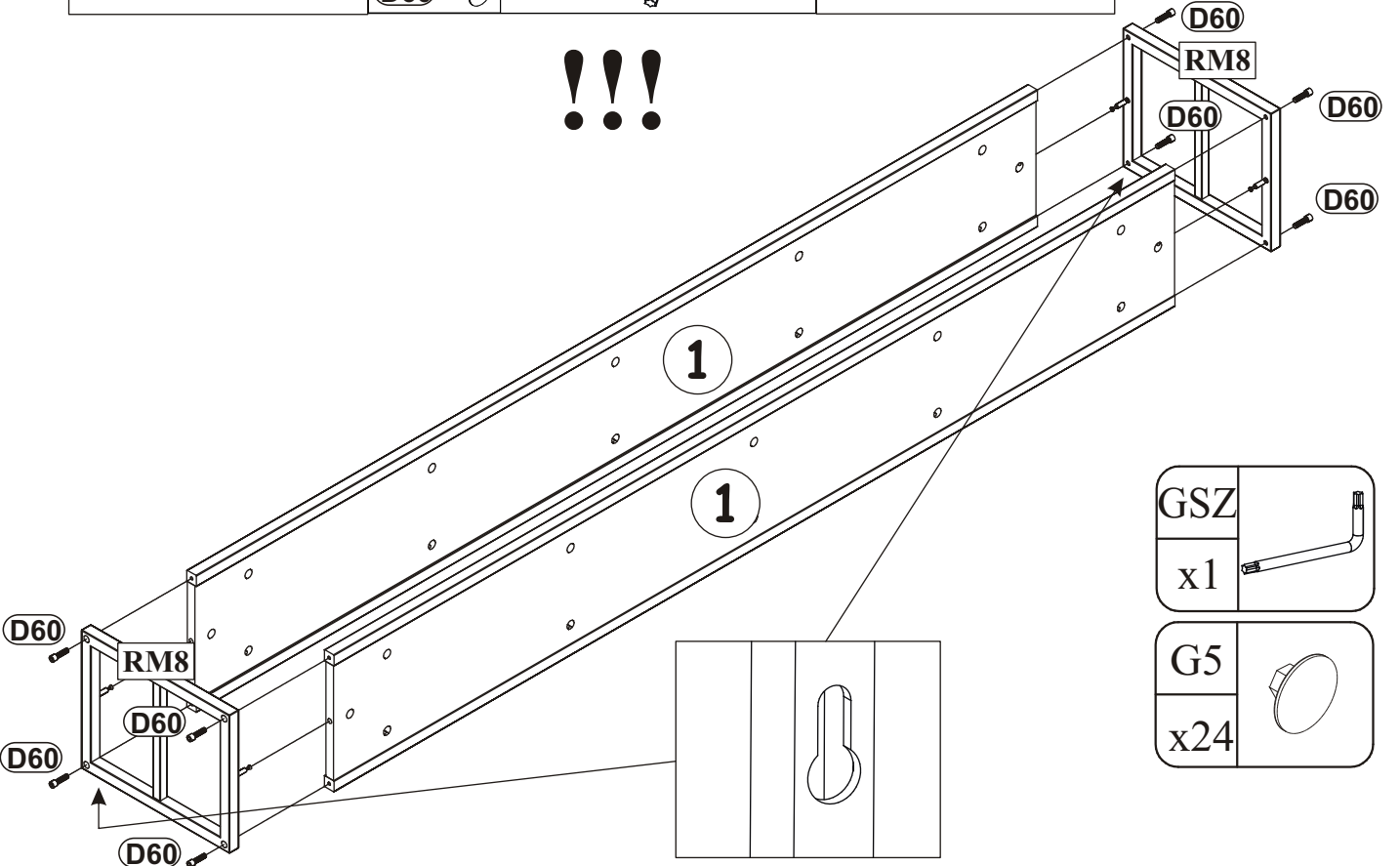
3

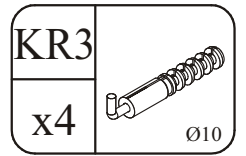


4



!!!





5

