

ASSEMBLY INSTRUCTIONS

"IMPORTANT!!!

KEEP IT FOR FUTURE USE

Drawer TREND

„Drawer TREND“- ready for use only with the bed TREND produced by Baby Needs company and when all screws are properly secured (see the Assembly Instructions).

NOTICE and WARNINGS!!!

1. Do not leave in the drawer anything that can cause a danger of suffocation or choking.
2. Keep the bed away from open fire or other sources of high temperature as electric or gas fired heaters, etc
3. Remember!!! While closing the drawer pay attention to child's hands to avoid any injuries.
4. Use the drawer carefully – children must not stay inside the drawer.

GUIDES and RECOMMENDATIONS!!!

1. The drawer contains small pieces (fittings) - during assembly and installation, ensure any screws or objects, cannot be reached by the child to avoid a danger of swallowing or splitting.
2. All fittings should be properly installed to prevent any danger of the child being caught or tangled by its clothes or accessories, which can cause suffocation (eg. strings, necklaces, tapes or smothers).
3. During the use of the furniture we recommend periodic checks of the screws and secure them if needed.
4. Assembly should only be done by adults - according to the Assembly Instructions included.
5. To keep the furniture clean, wipe it with wet soft cloth.
6. If you need to make a complaint or exchange any parts, please pack them properly to avoid any damage during transportation. Thank you for cooperation.

PACKAGE - WARNING!!!

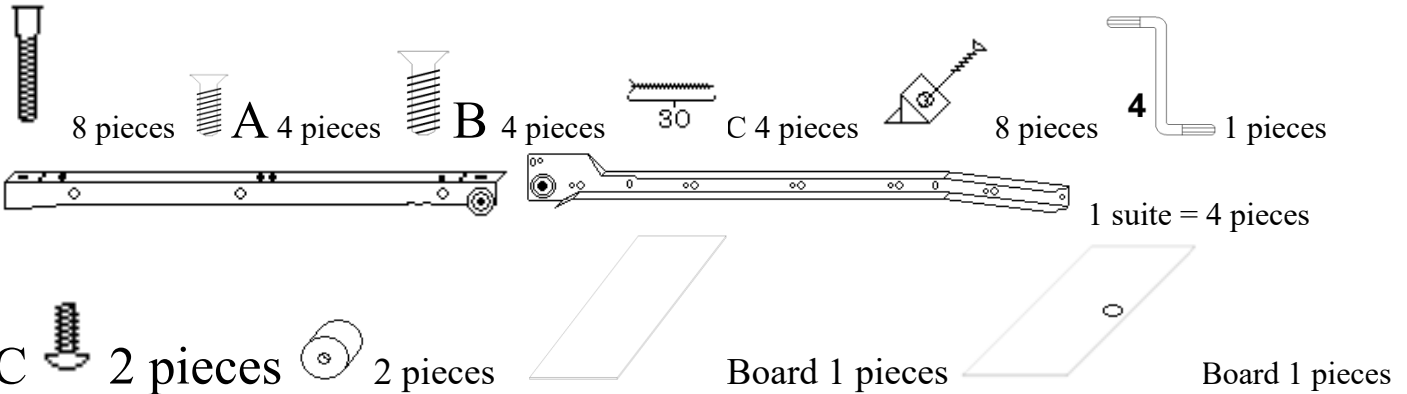
1. To avoid suffocation remove all plastic packaging before using the bed. The package should be destroyed or kept in a place inaccessible for children and infants.

USED PRODUCT

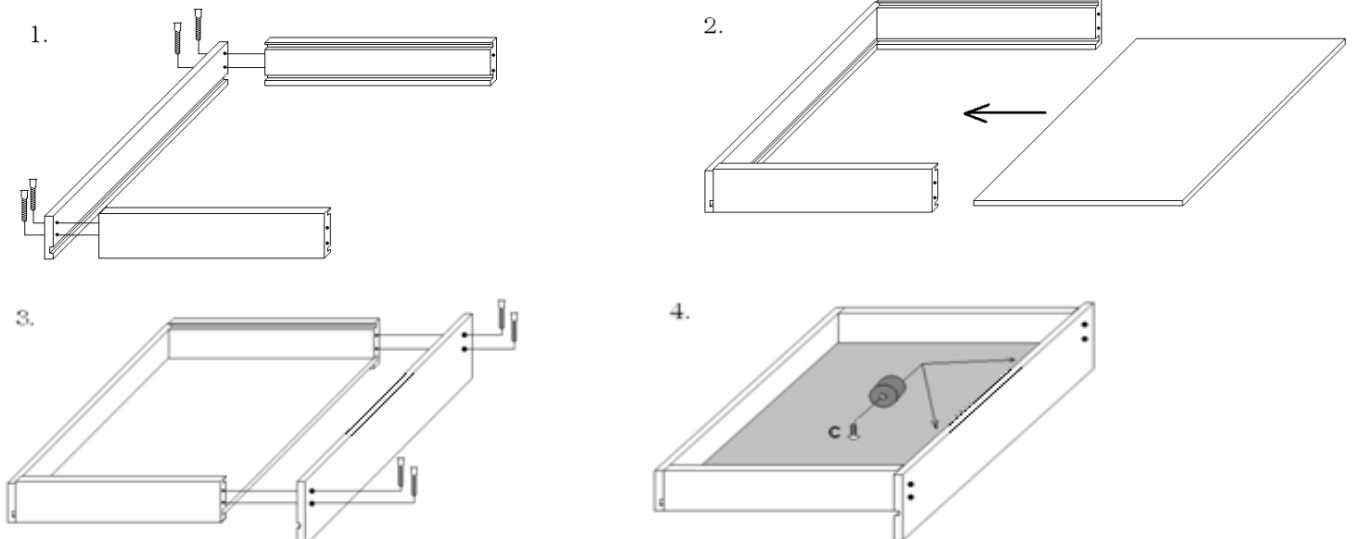
2.

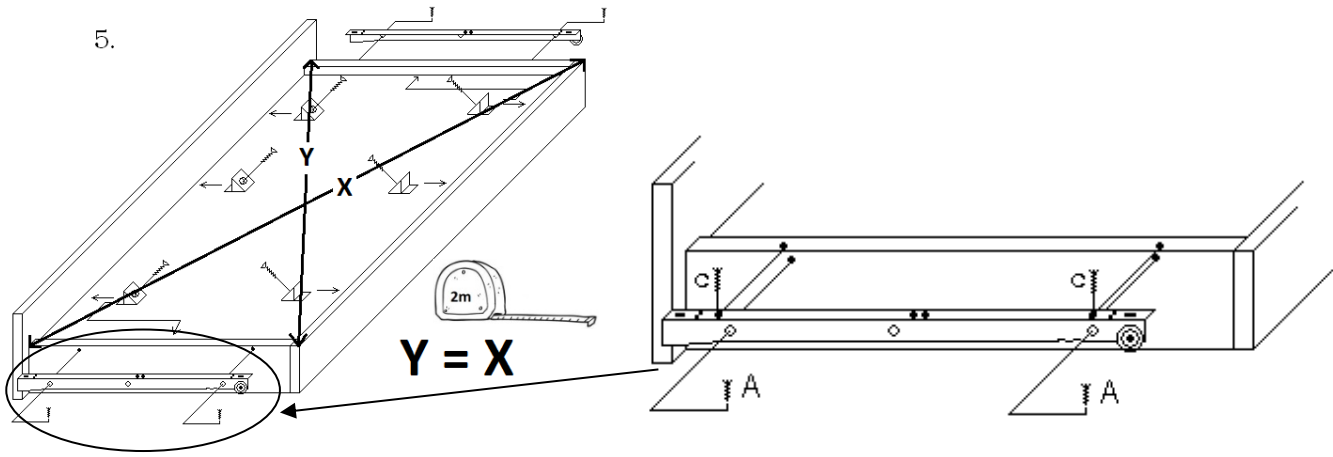
This product was made from renewable resources (board) and the entire bed can be utilized in order to recovery or material to next processing.

Assortment list



ASSEMBLY





A – order I (holes)

C – order II (screw C without holes)

ATTENTION!!! Having all screws installed into the drawer of the bed ensure the screw A does not touch the screw B (picture 7) while moving the drawer. If it occurs, the screw A must be removed (leaving the screw C)

