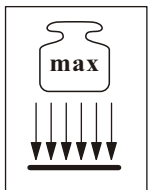
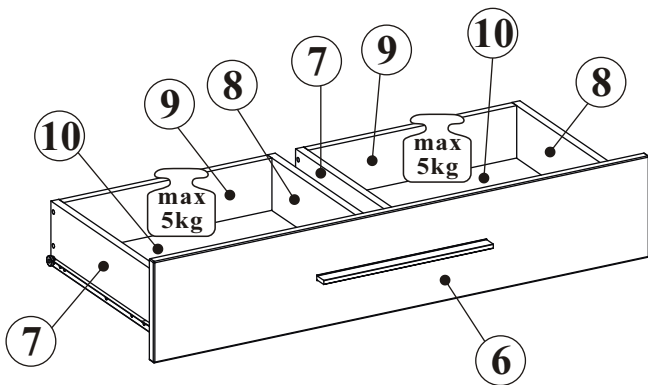
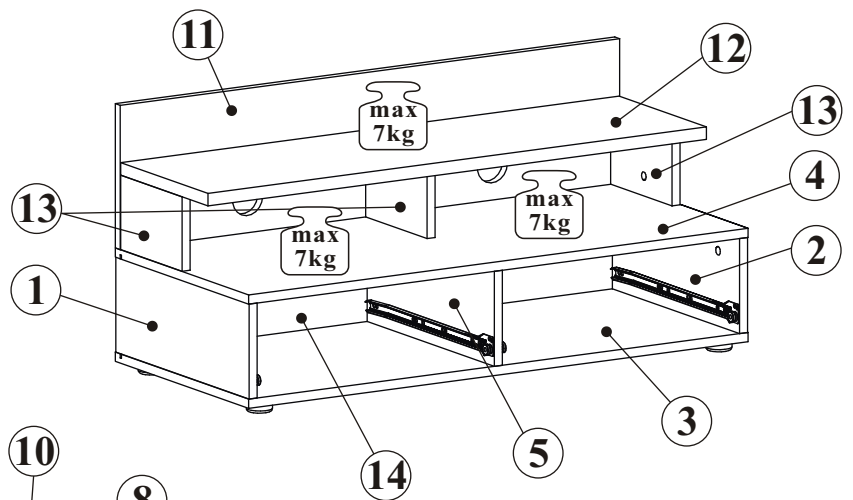
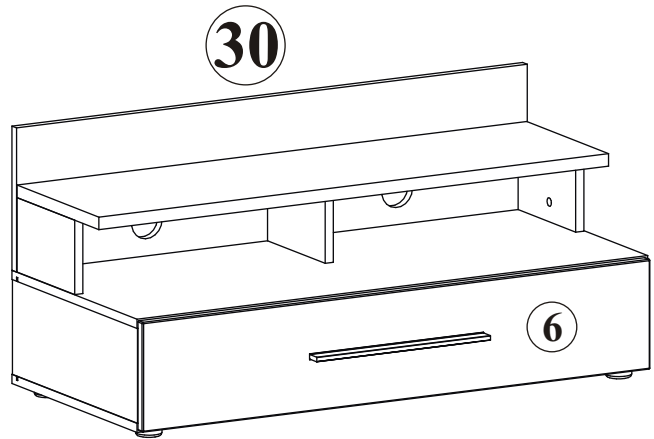
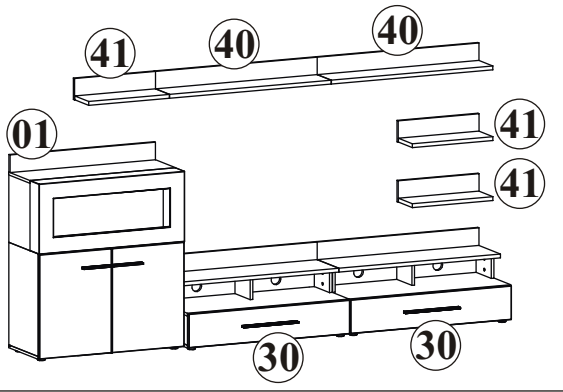
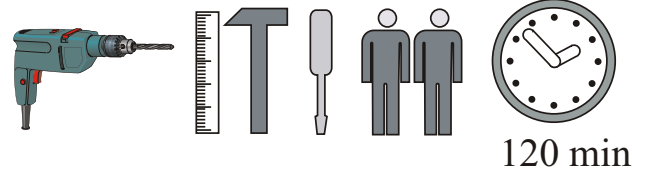


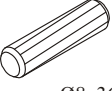

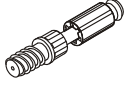



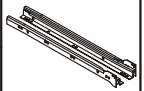



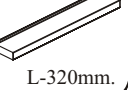



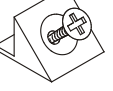

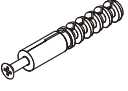
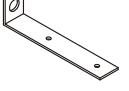

CAMINO TYP 30

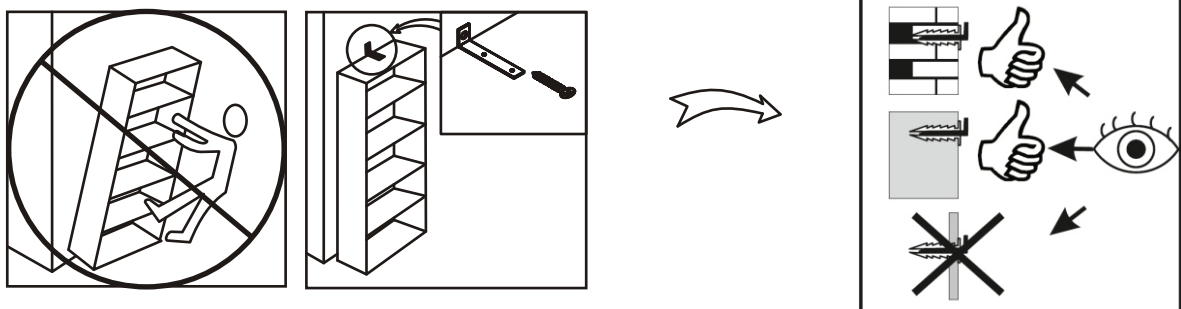
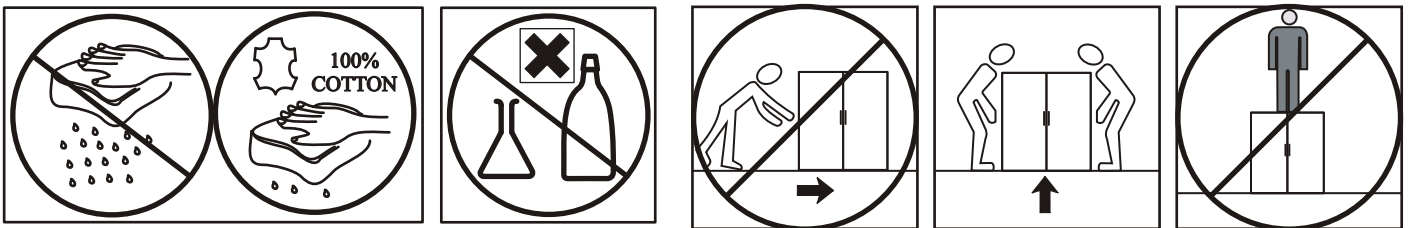
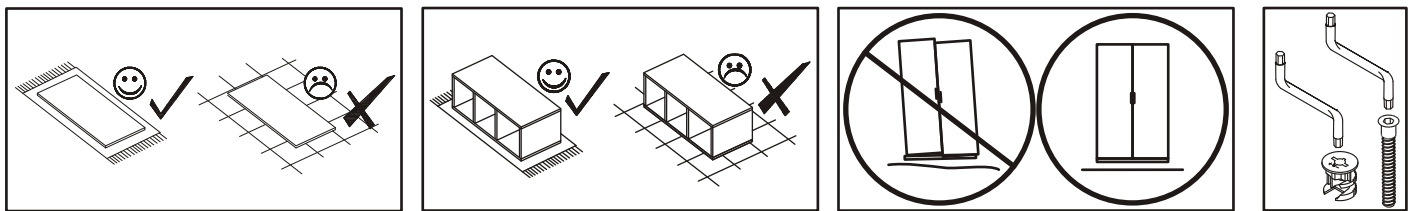
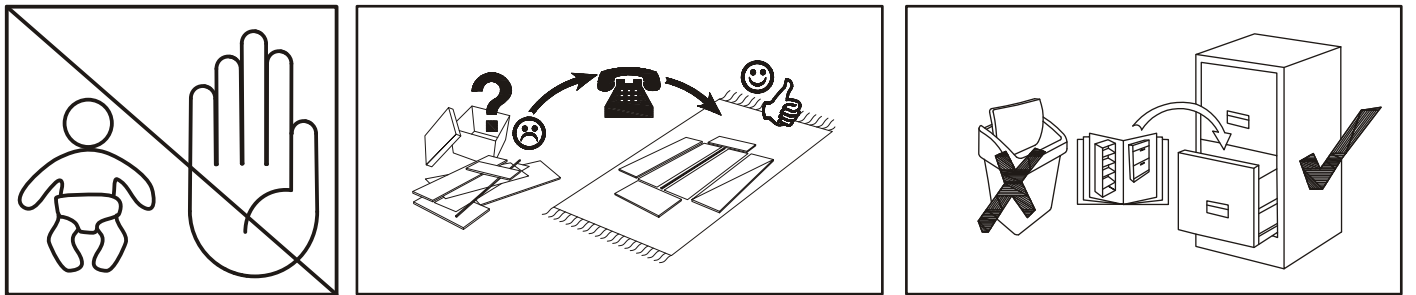
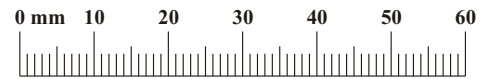


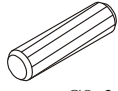

NO	Dim.		Col.-No	Qty
1	166	434	1	1
2	166	434	1	1
3	1000	434	1	1
4	1000	434	1	1
5	166	414	1	1
6	994	192	1	1
7	400	120	1	2
8	400	120	1	2
9	418	100	1	2
10	404	430	1	2
11	1000	252	1	1
12	998	284	1	1
13	130	200	1	3
14	978	178	1	1



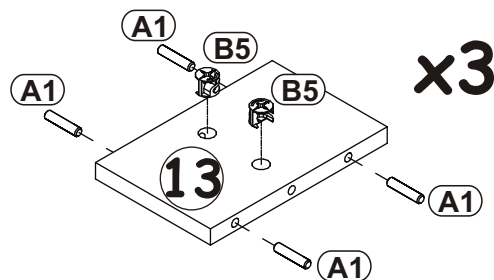
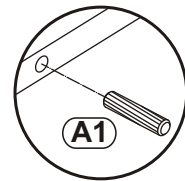
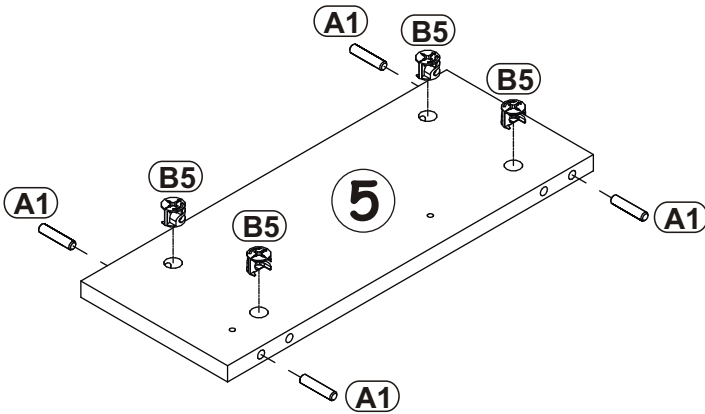
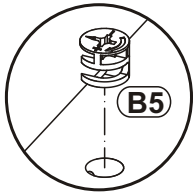
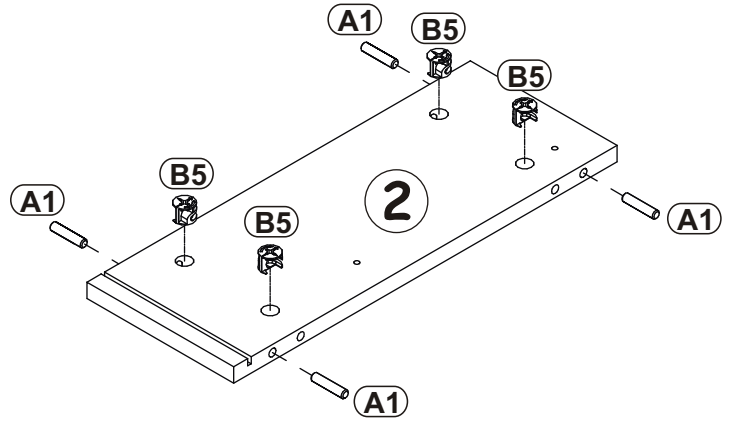
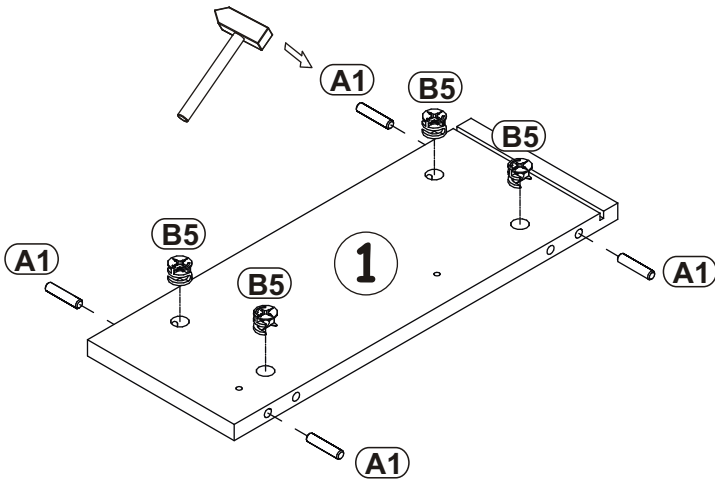
CAMINO TYP 30

A1 x40  Ø8x36	B5 x26  Ø15x12	B4 x26 	G5 x26 	B11 x15  Ø7x50	G4 x15 
H5 x2  L-300	D10 x10  USØ3,5x13	D27 x8  ESØ6x8	UP13 x8  UPØ3x16	BG1 x1  L-320mm.	UP6 x3  UPØ4x30
I11 x5  Ø45, h=15	D11 x5  USØ3,5x25	S1 x8 	C1 x2 	KR1 x1 	L1 x1 
G2 x1 					



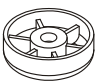
A1		B5	
x24	Ø8x36	x18	Ø15x12


1

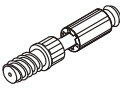


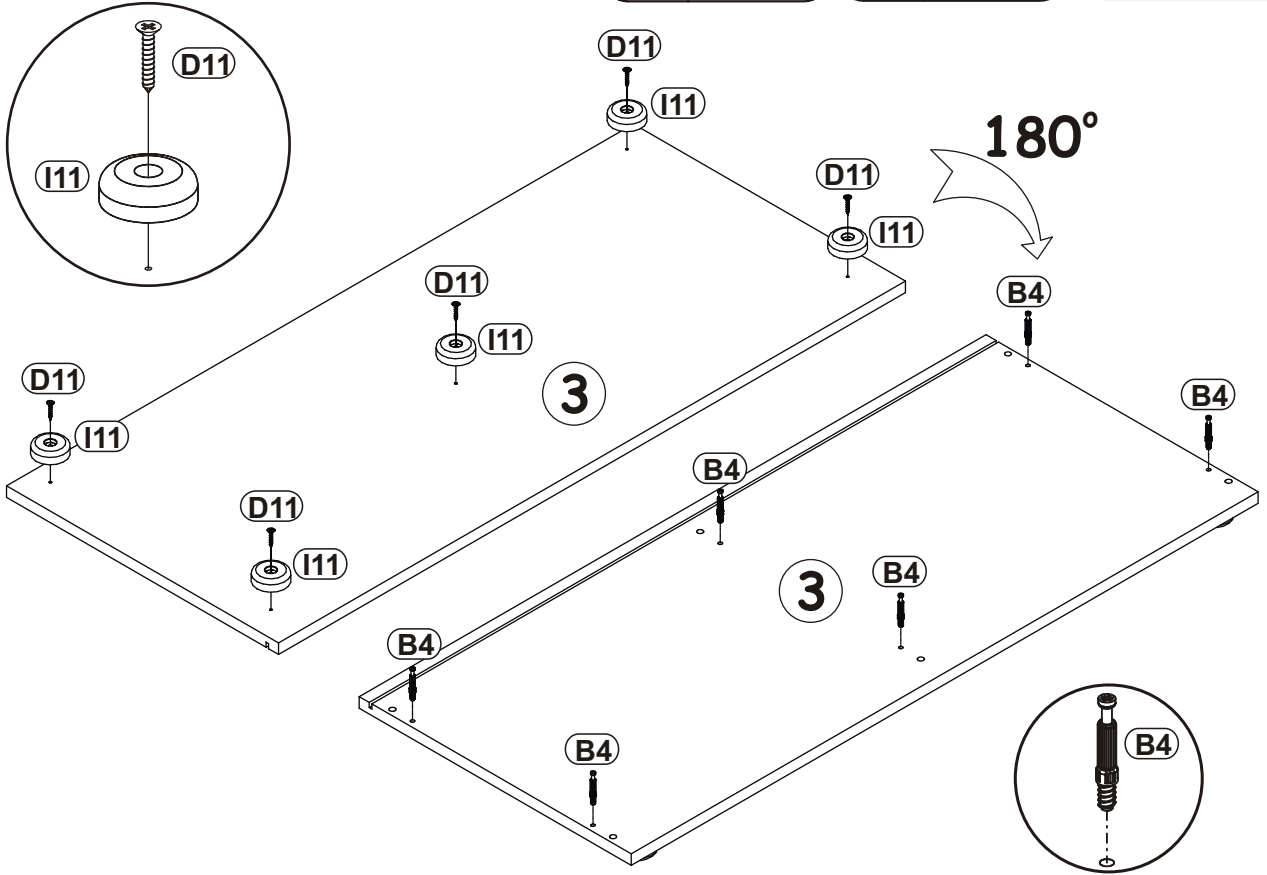
CAMINO TYP 30

2

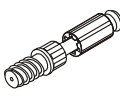
I11	
x5	Ø45, h=15

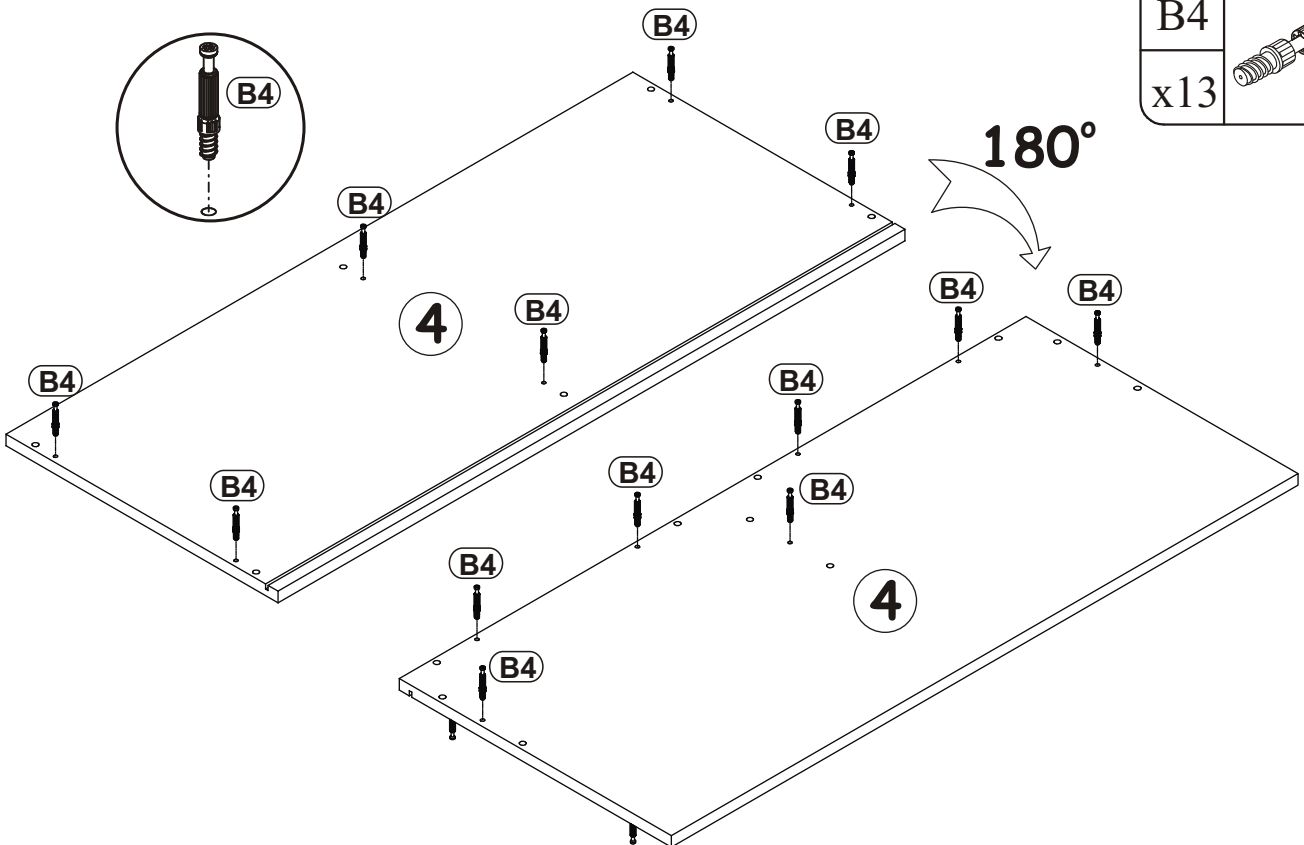
D11	
x5	USØ3,5x25

B4	
x6	



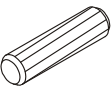

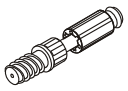
3

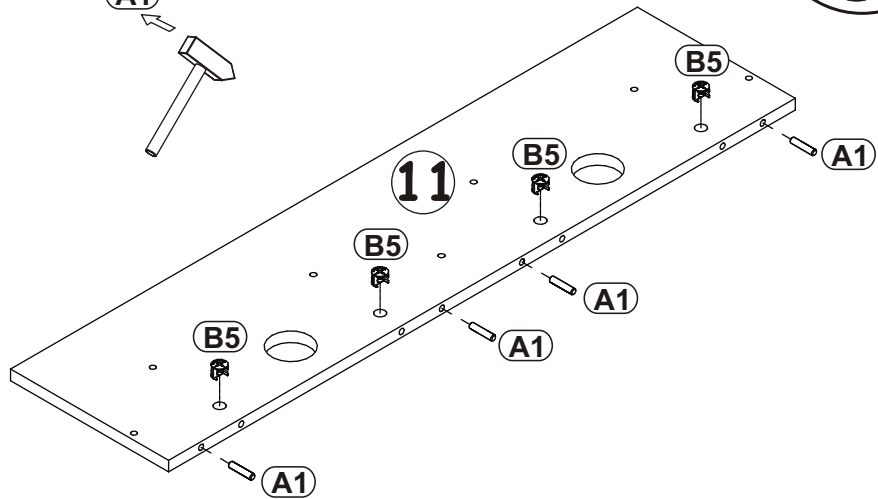
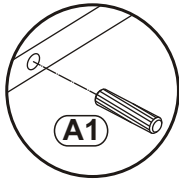
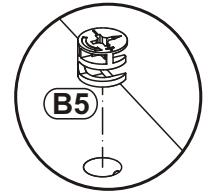
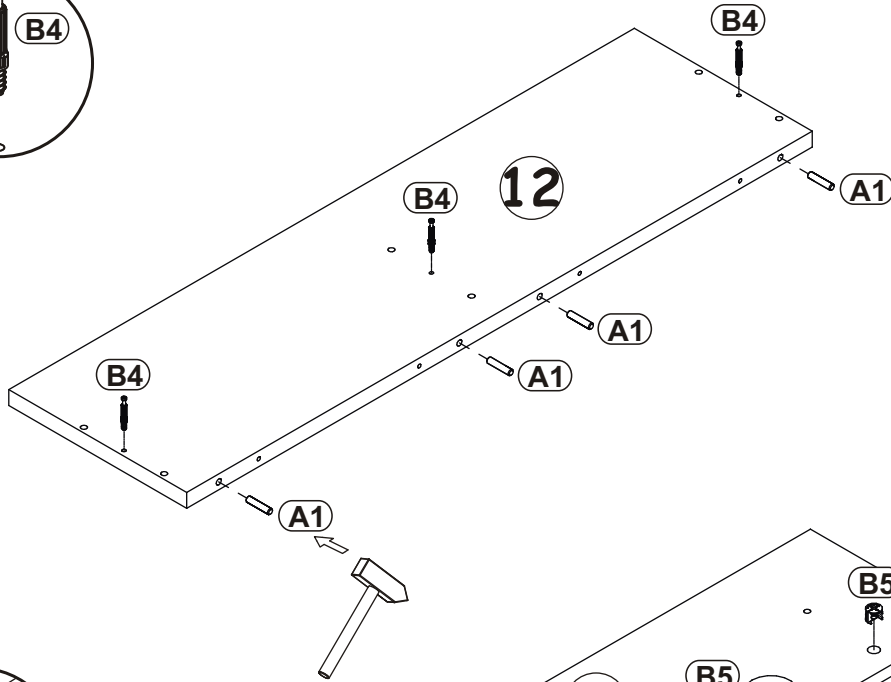
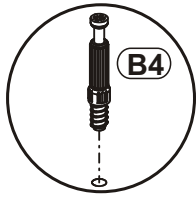
B4	
x13	



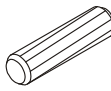

CAMINO TYP 30

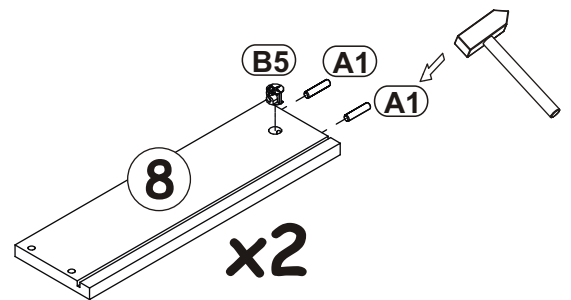
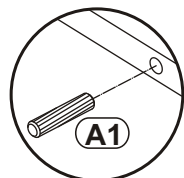
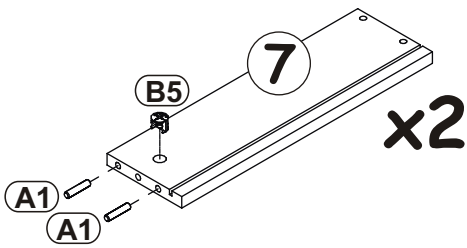
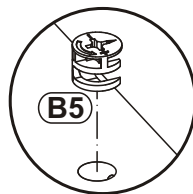
4

A1		B5		B4	
x8	Ø8x36	x4	Ø15x12	x3	

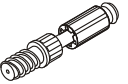


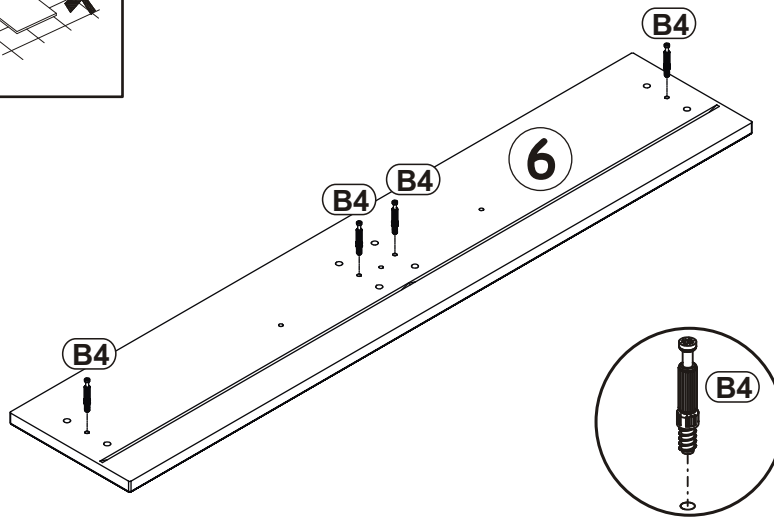
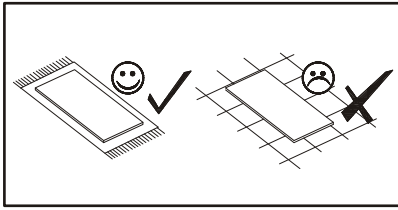
5

A1		B5	
x8	Ø8x36	x4	Ø15x12

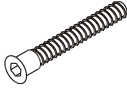



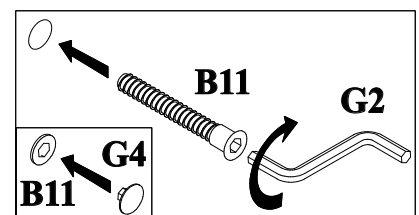
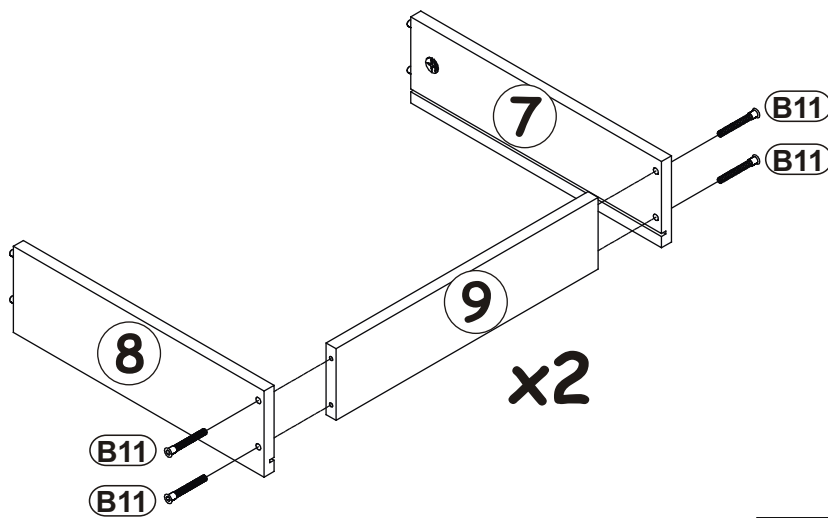
6

B4	
x4	



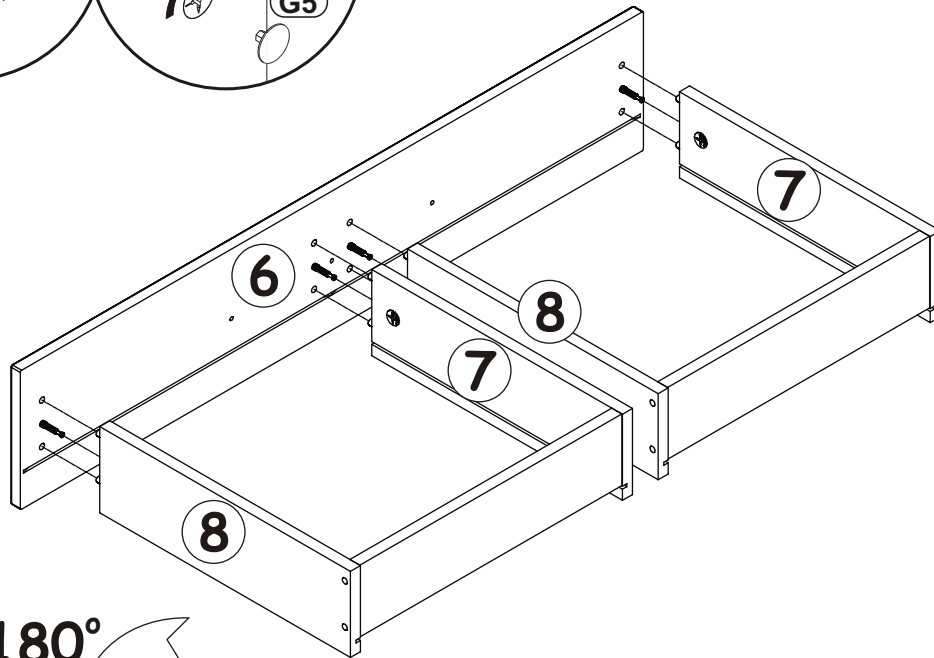
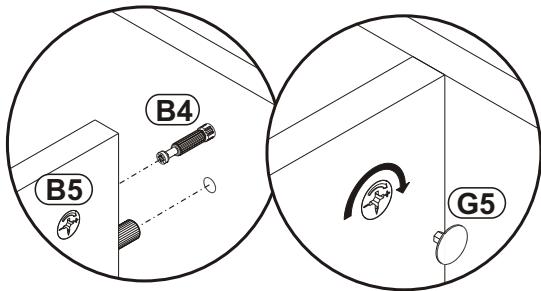
7

B11		G4	
x8	Ø7x50	x8	



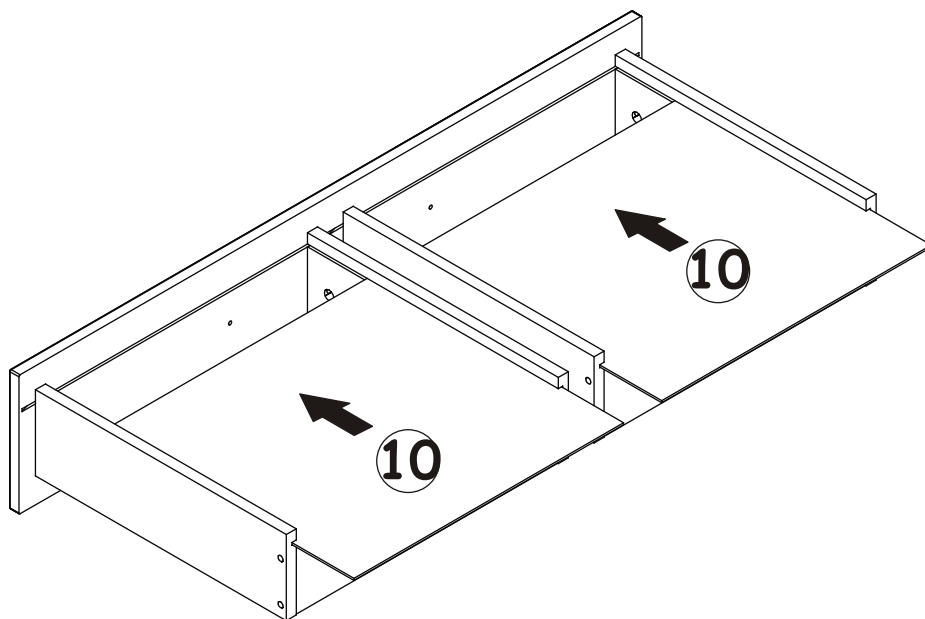


8



180°

9

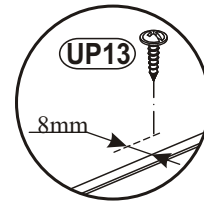
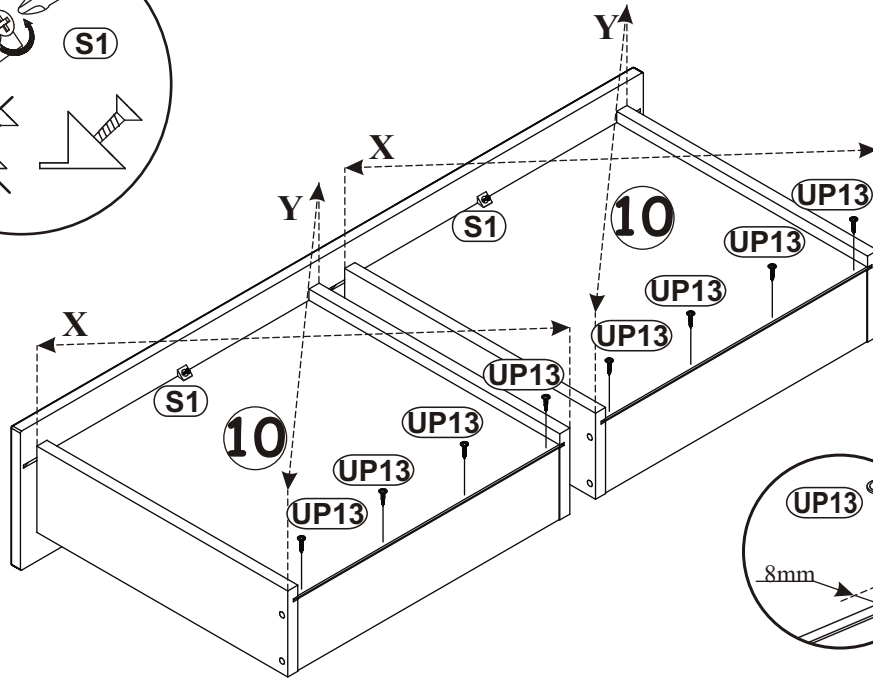
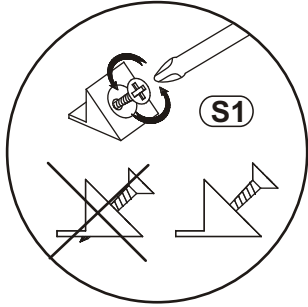


CAMINO TYP 30

10

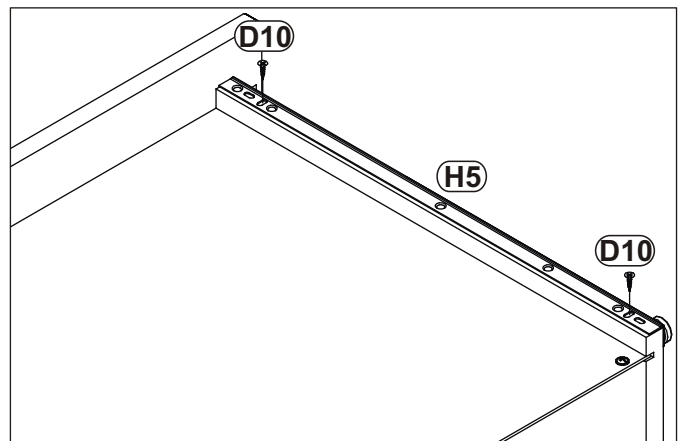
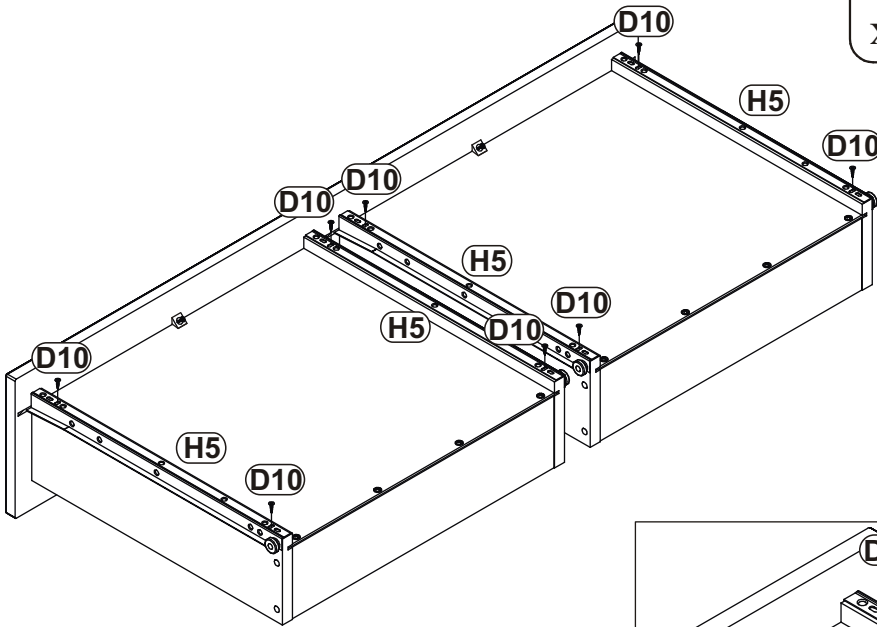


S1		UP13	
x2		x8	UPØ3x16

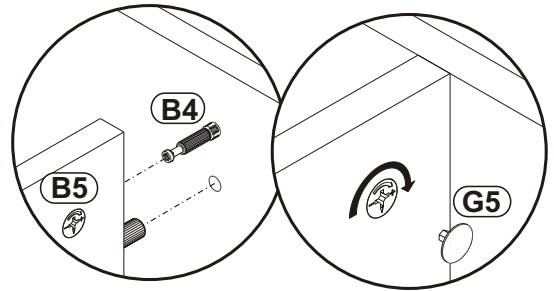
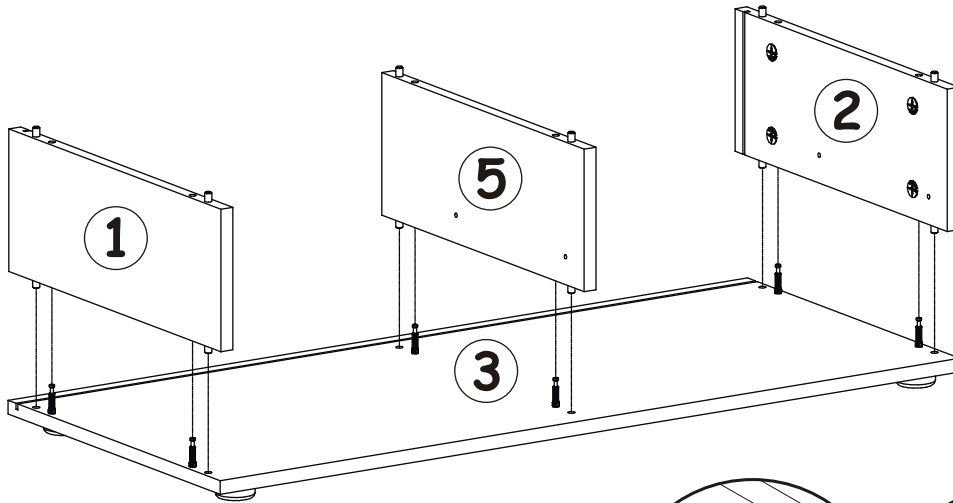
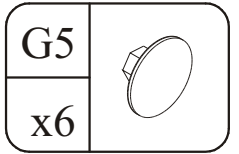


11

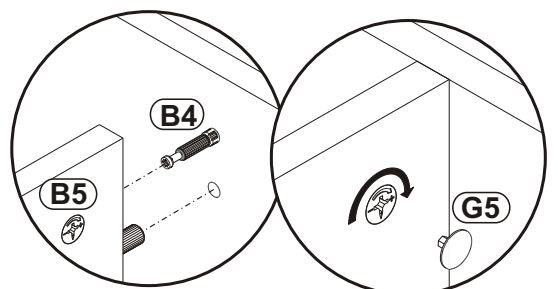
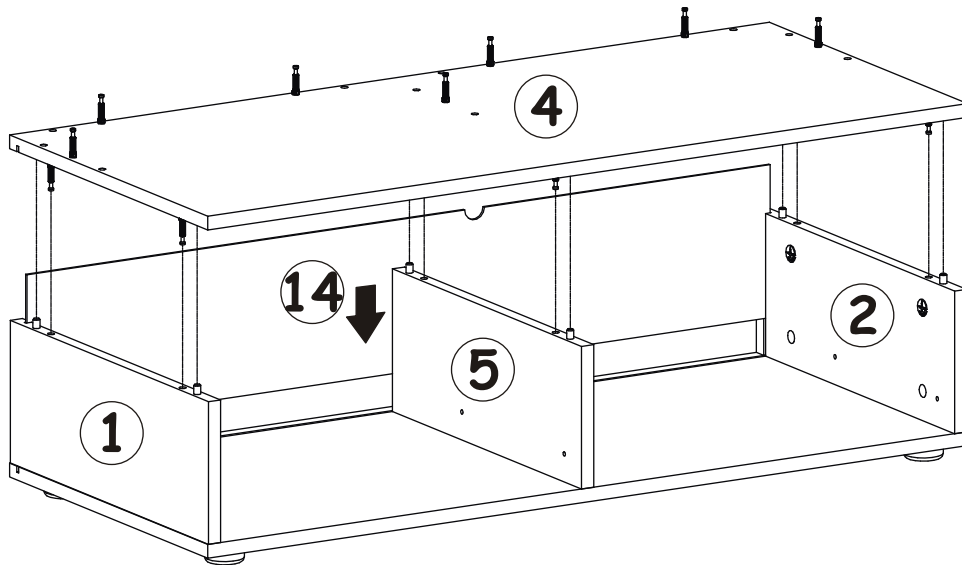
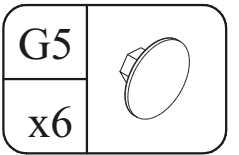
H5		D10	
x2	L-400	x8	USØ3,5x13



12



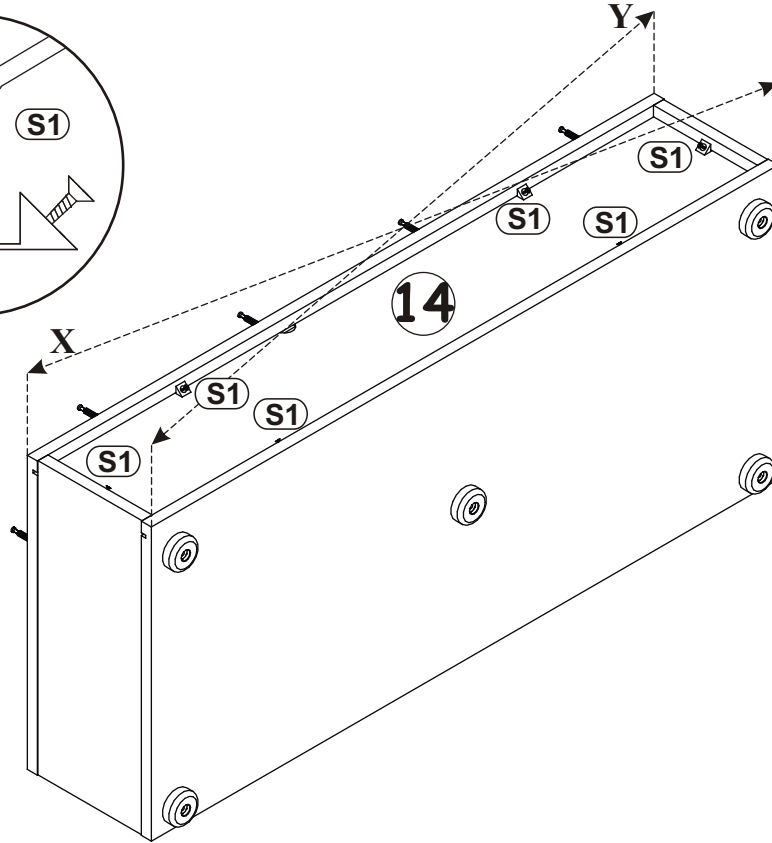
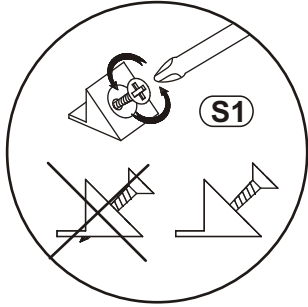
13



14



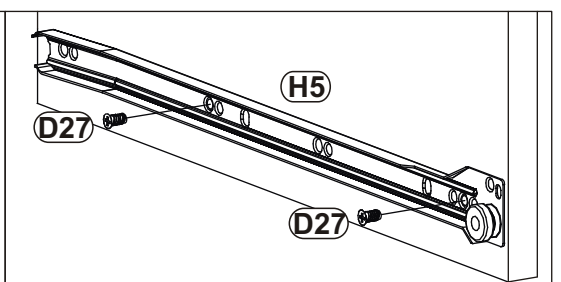
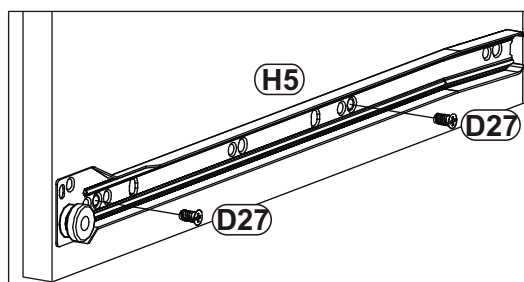
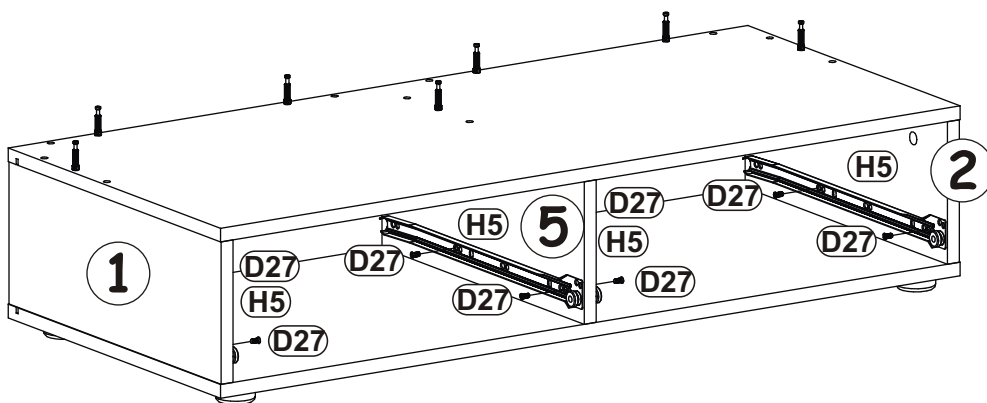
S1	
x6	




15

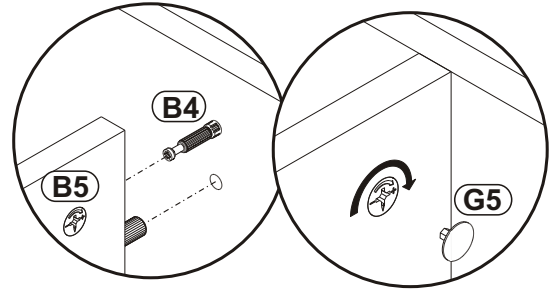
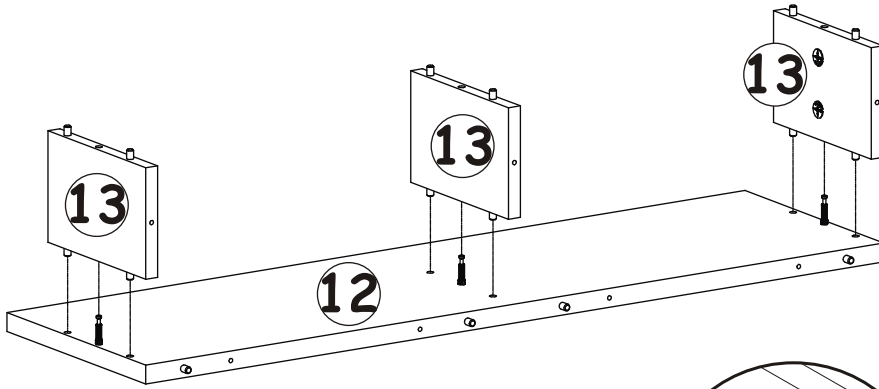
H5	
x2	L-400

D27	
x8	ESØ6x8

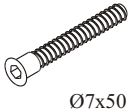



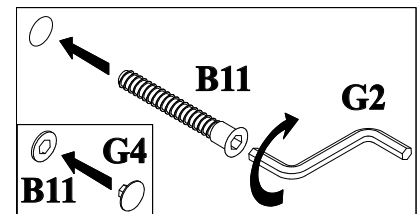
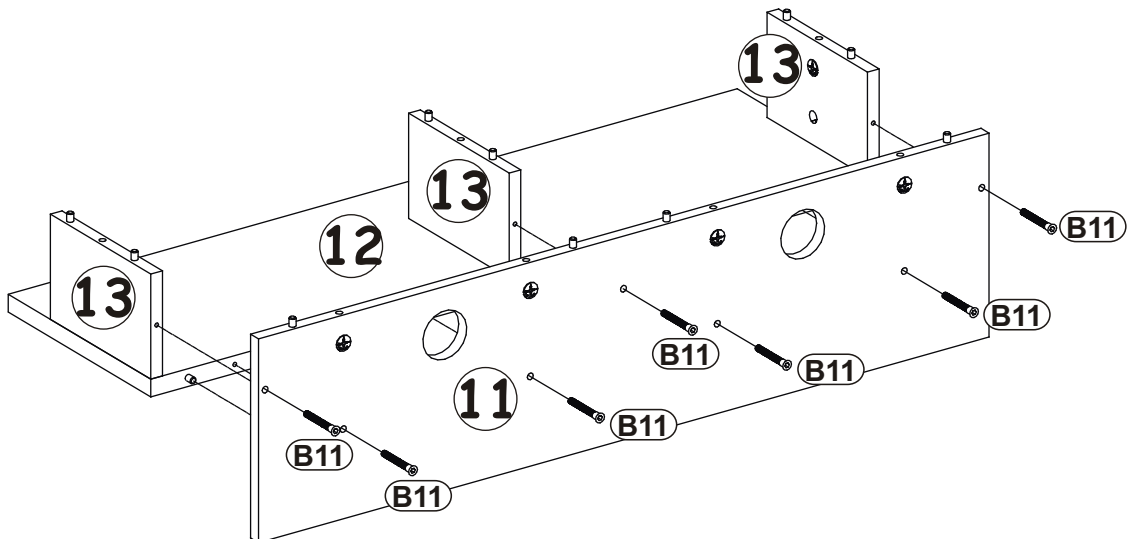
16

G5	
x3	

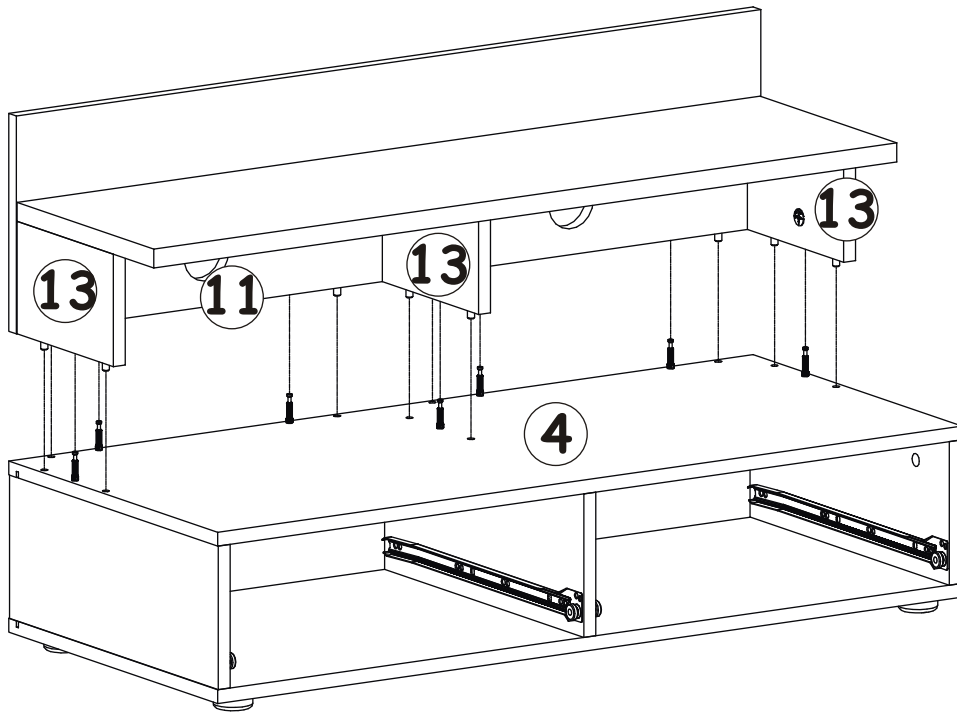



17

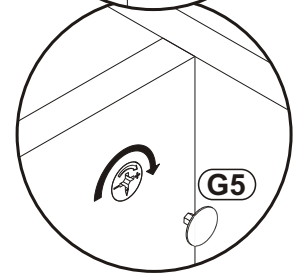
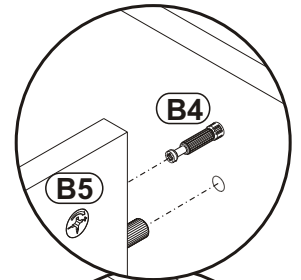
B11		G4	
x7	Ø7x50	x7	



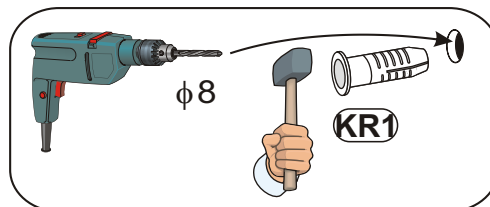
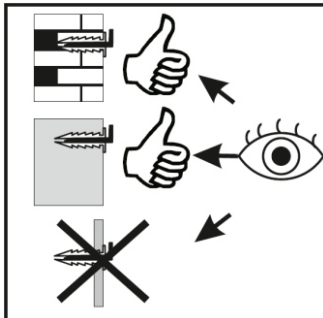
18

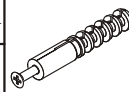


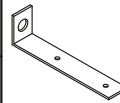
G5	
x7	

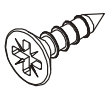


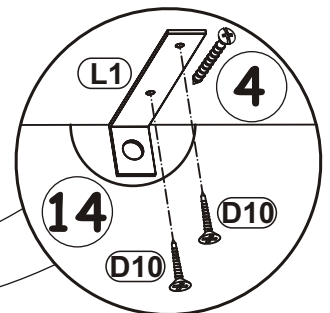
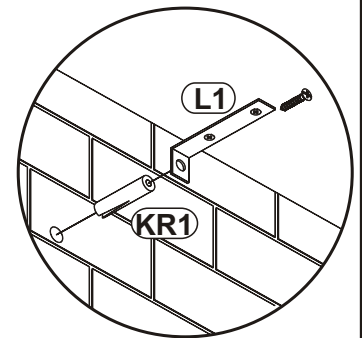
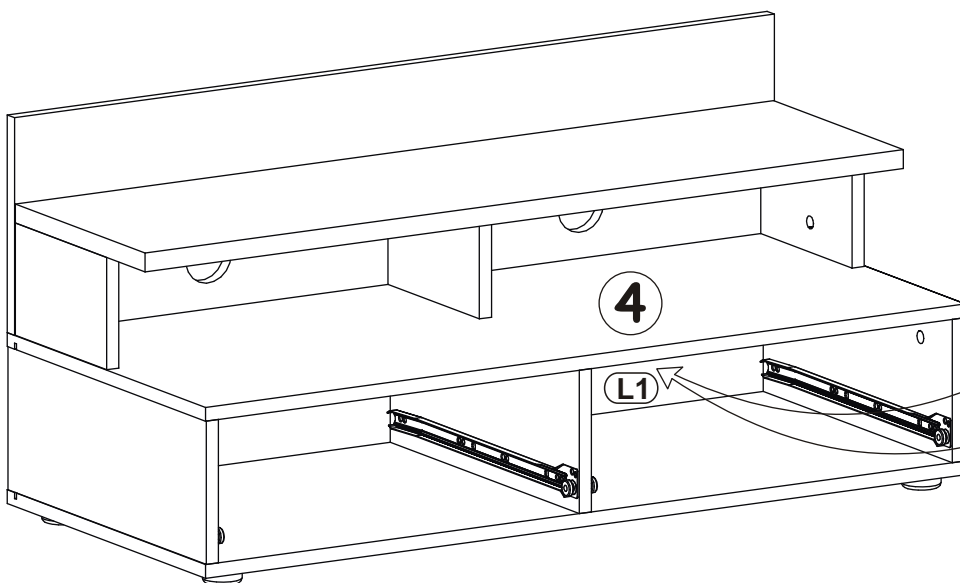
19




KR1	
x1	

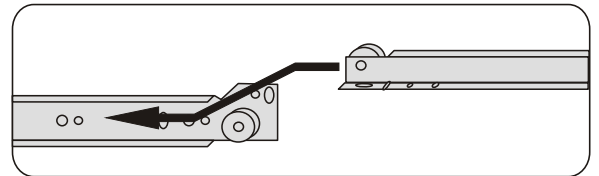
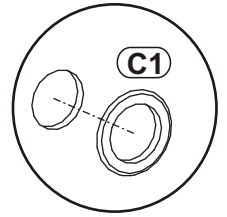
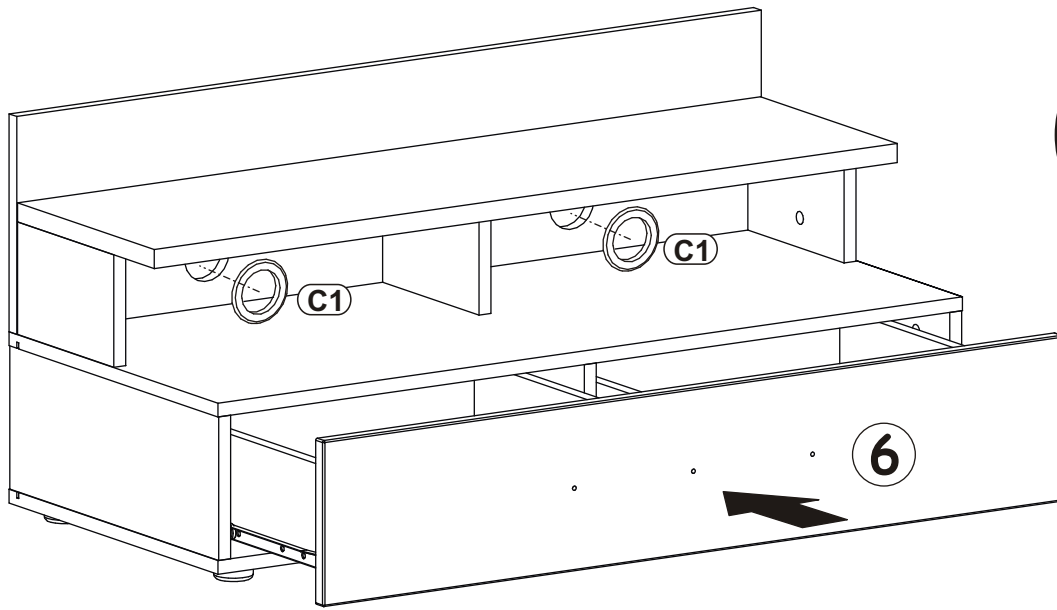
L1	
x1	

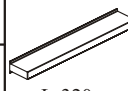
D10	
x2	USØ3,5x13

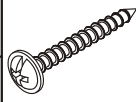


20

C1	
x2	



BG1	
x1	L-320mm.

UP6	
x3	UPØ4x30

