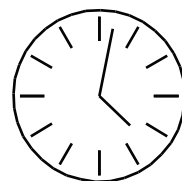
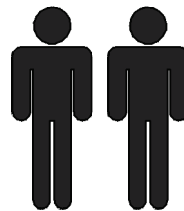
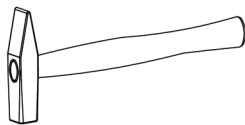
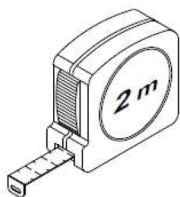
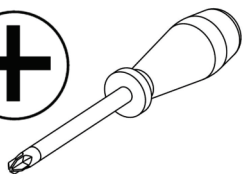
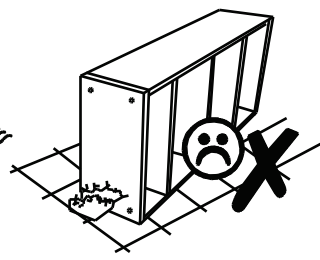
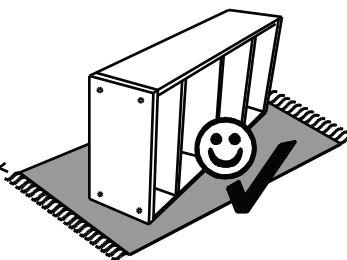
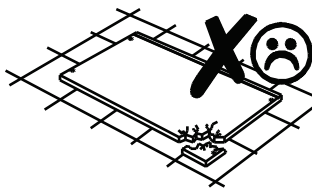
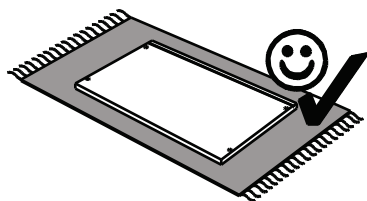
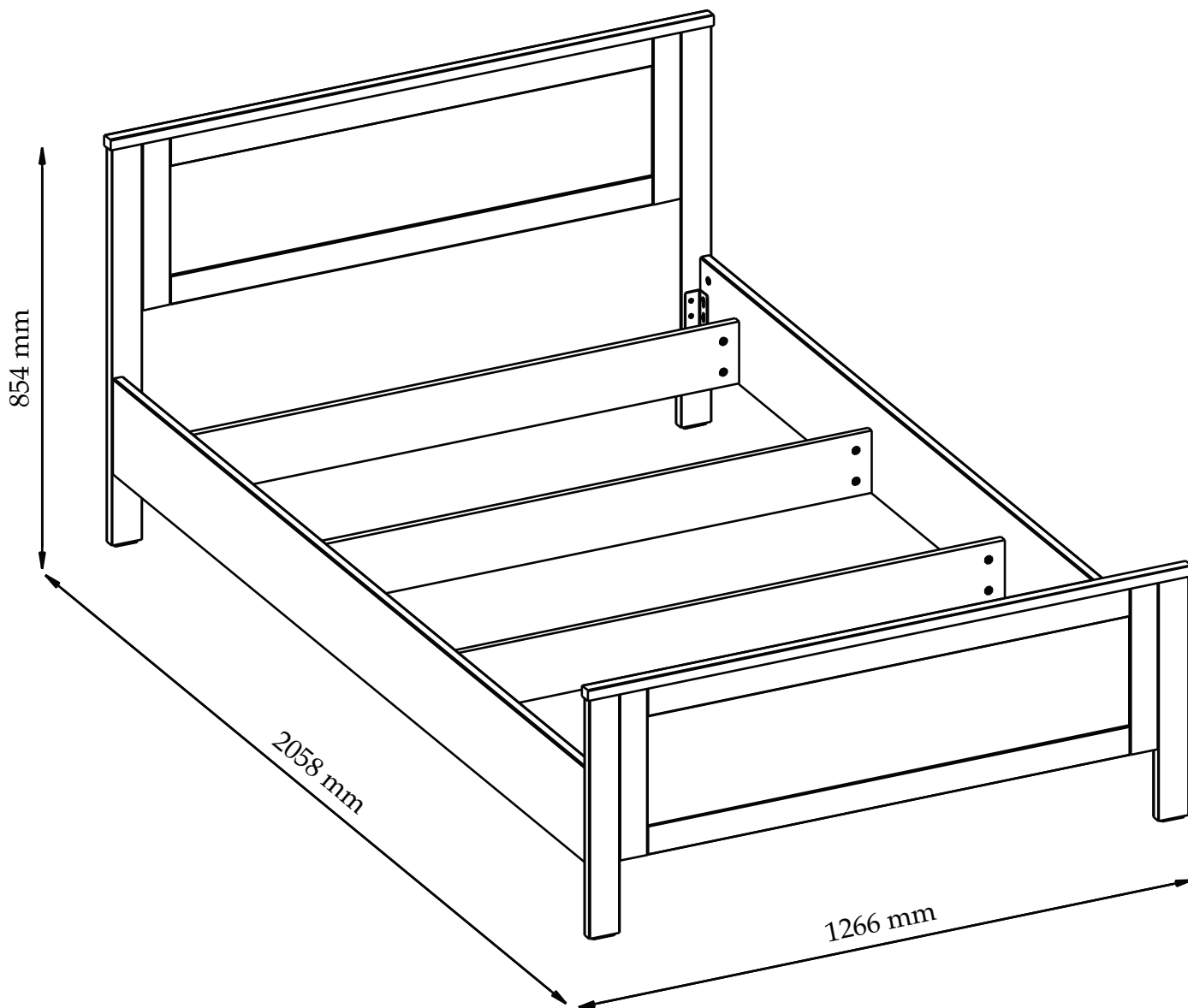
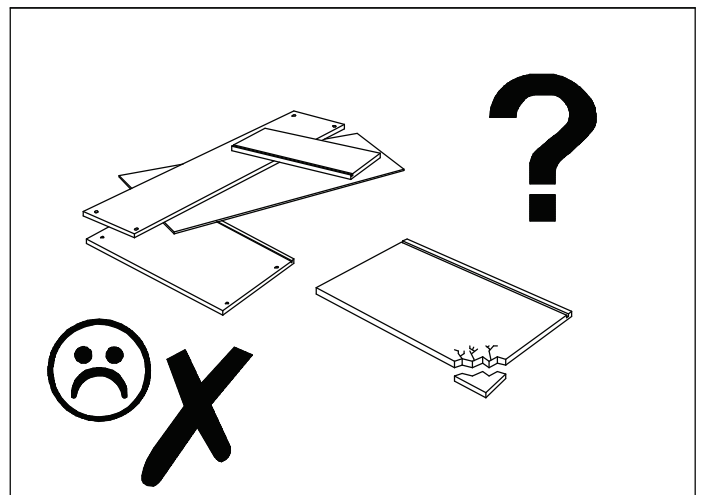
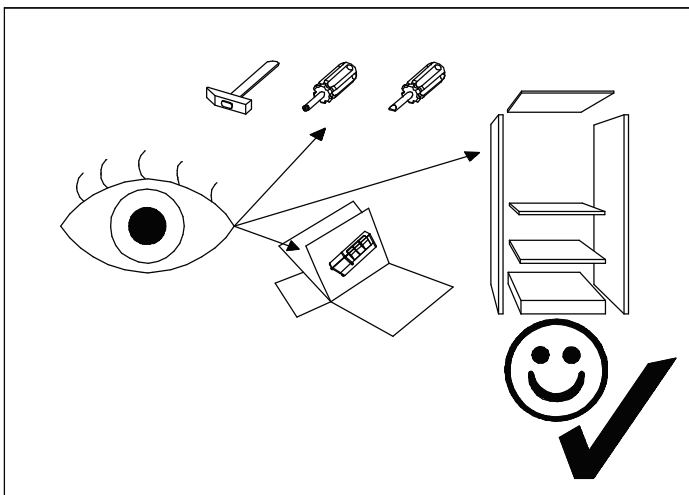
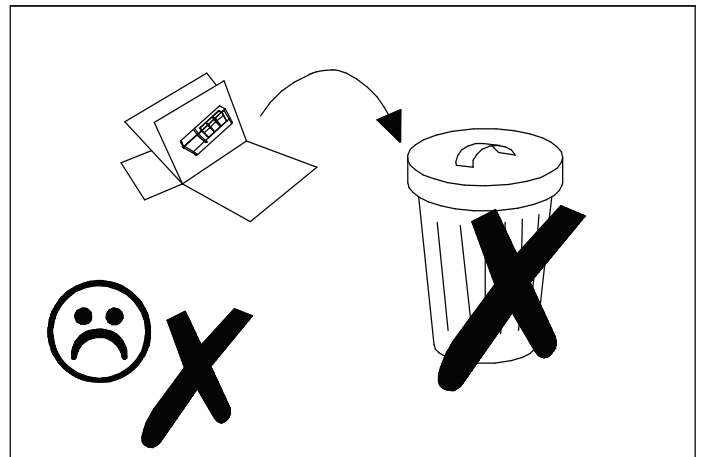
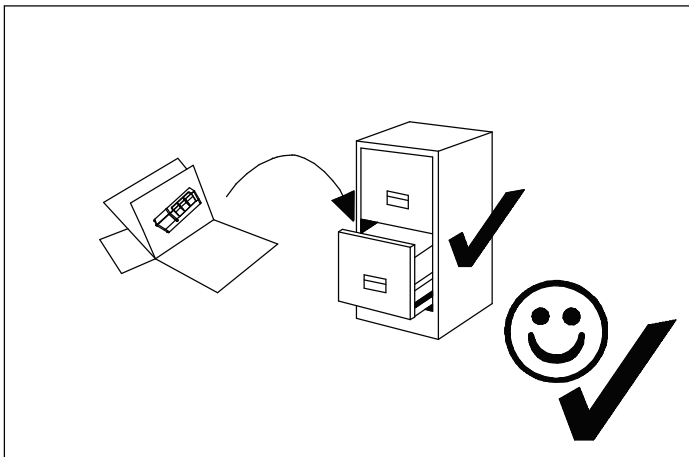
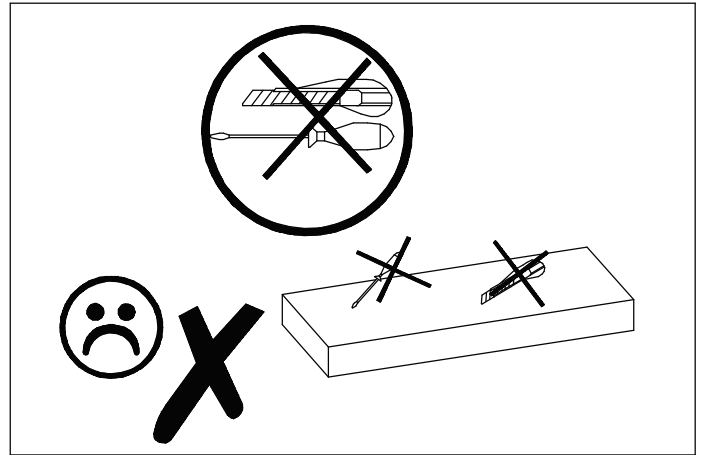
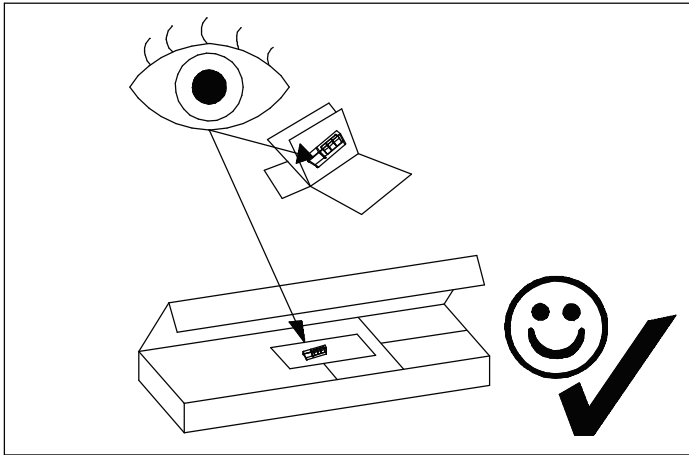


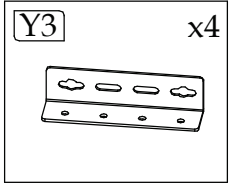
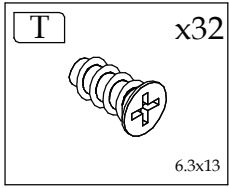
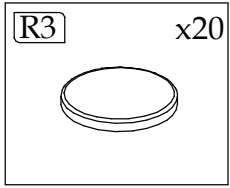
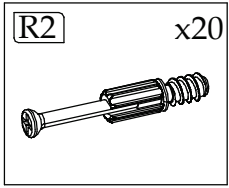
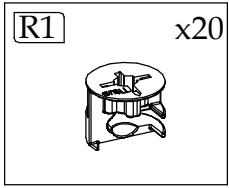
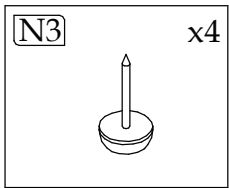
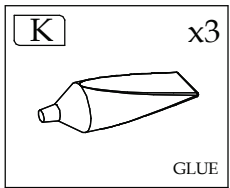
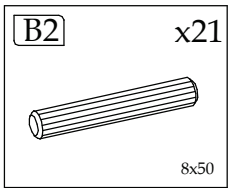
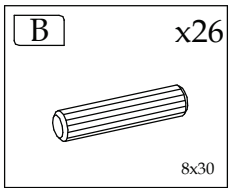
# TEOLO 10



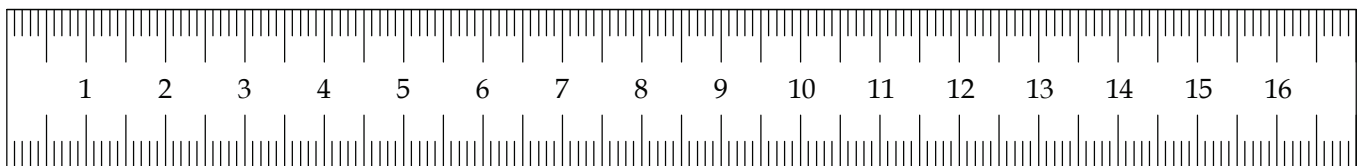
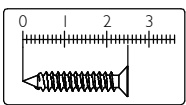
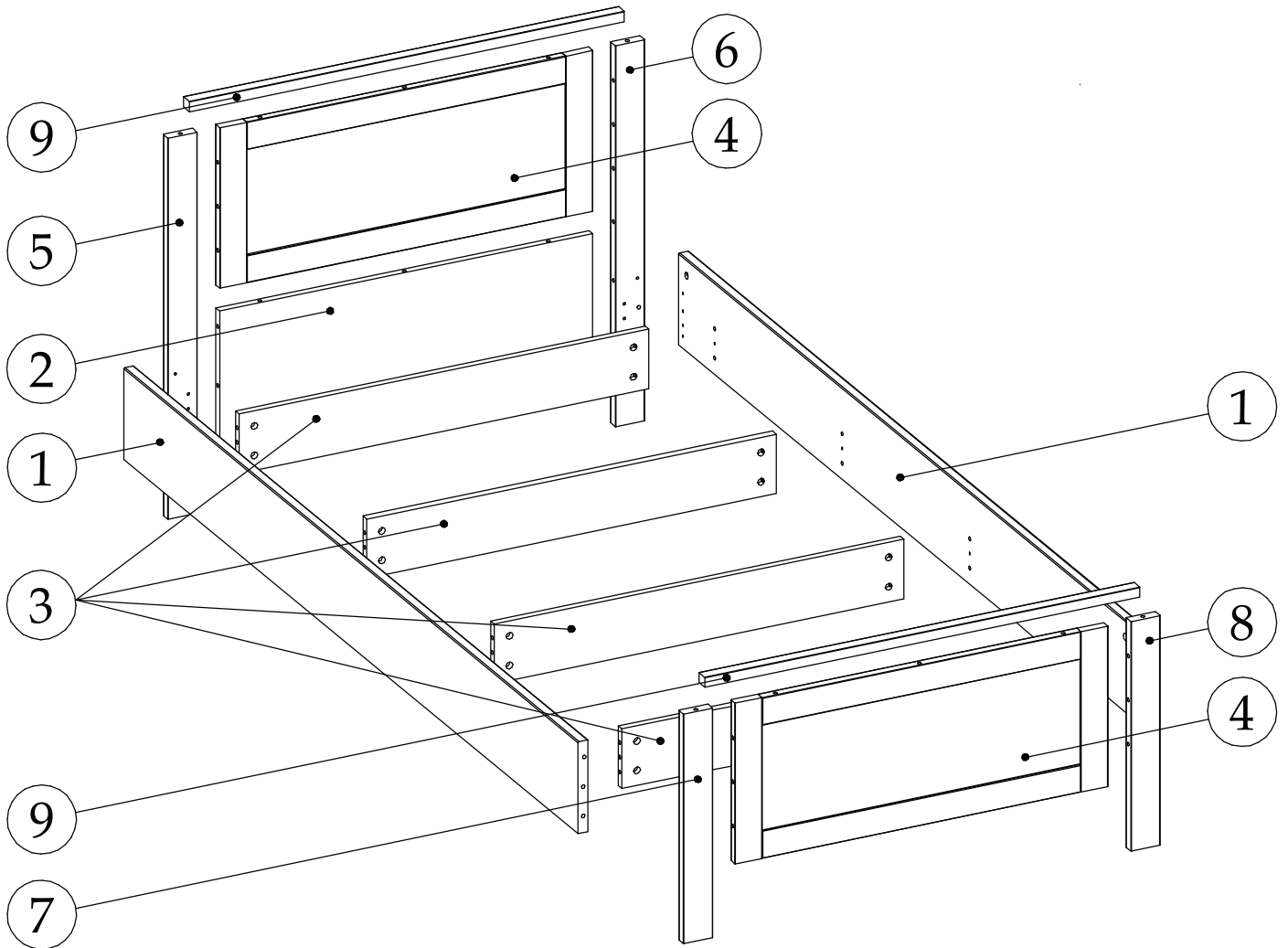
80 min

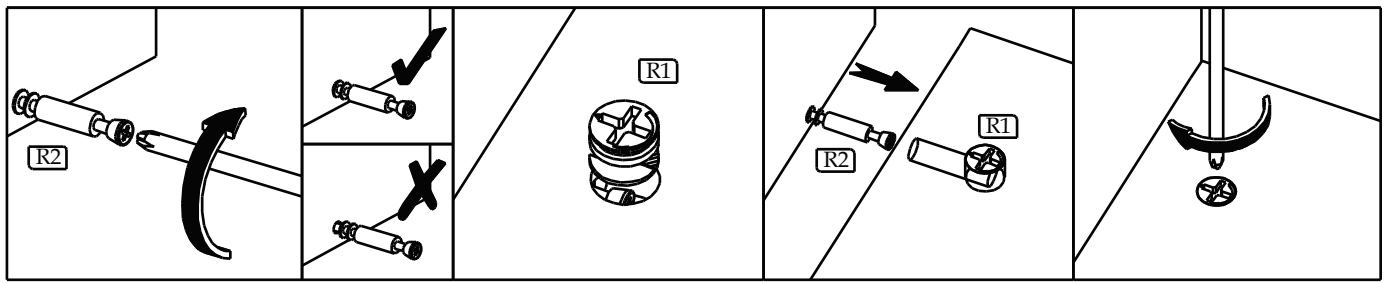




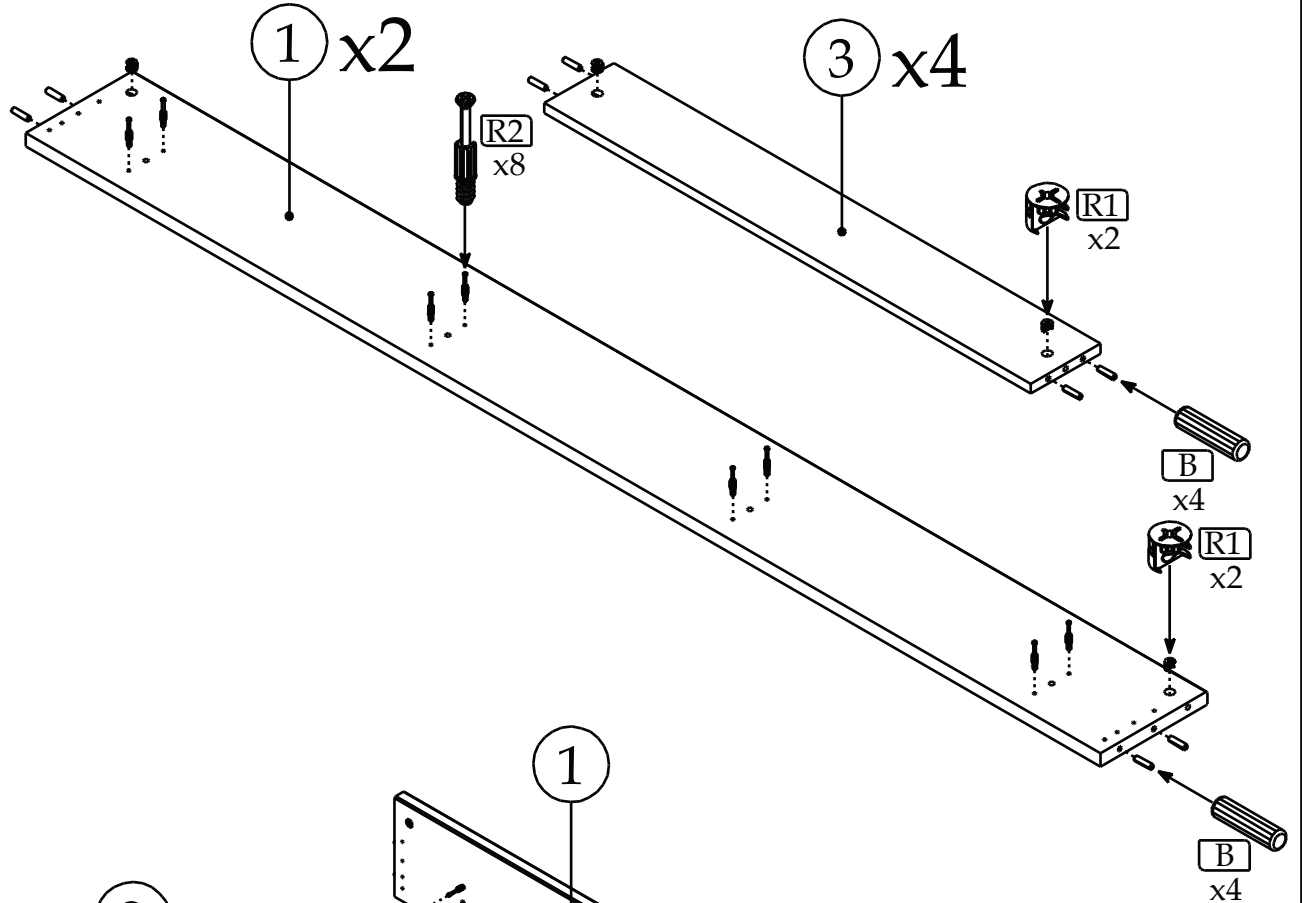


| Element symbol | Measurements |     |    |   | Code | Paket |
|----------------|--------------|-----|----|---|------|-------|
|                | 1            | 2   | 3  | 4 |      |       |
| 1              | 2010         | 200 | 22 | 2 | 1005 | 1/2   |
| 2              | 1128         | 330 | 16 | 1 | 1003 | 2/2   |
| 3              | 1210         | 130 | 16 | 4 | 1007 | 1/2   |
| 4              | 1128         | 350 | 19 | 2 | 3001 | 2/2   |
| 5              | 830          | 65  | 22 | 1 | 3002 | 1/2   |
| 6              | 830          | 65  | 22 | 1 | 3003 | 1/2   |
| 7              | 500          | 65  | 22 | 1 | 3004 | 1/2   |
| 8              | 500          | 65  | 22 | 1 | 3005 | 1/2   |
| 9              | 1266         | 30  | 19 | 2 | 3006 | 1/2   |

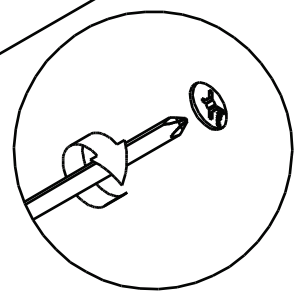
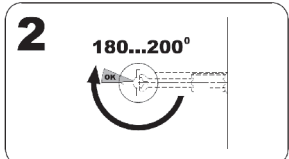
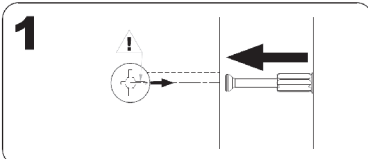
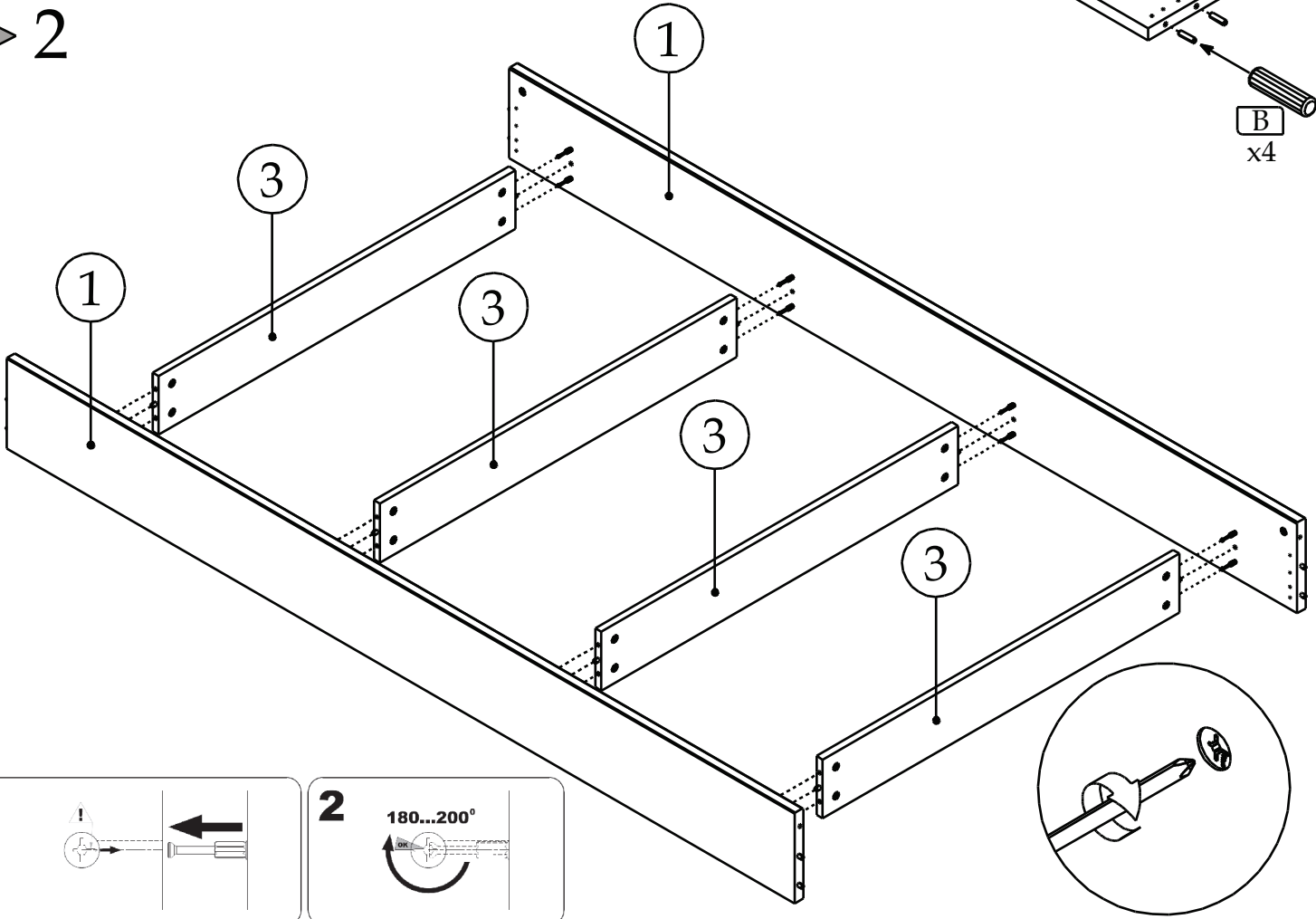




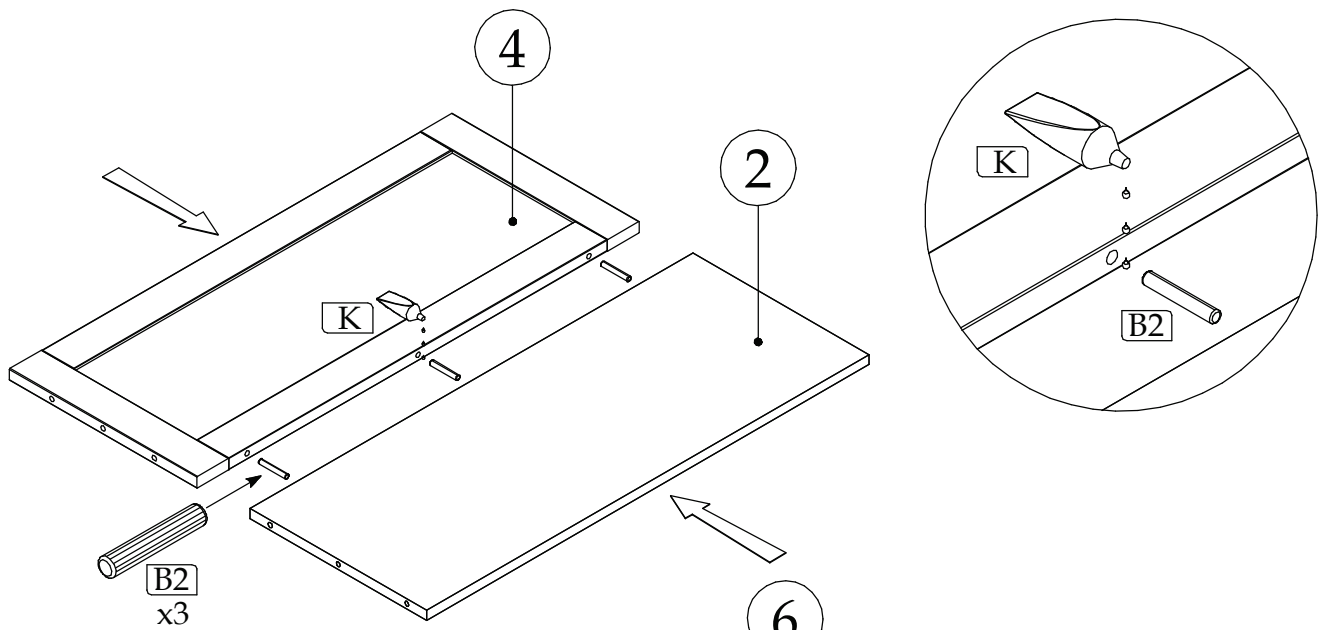
▶ 1



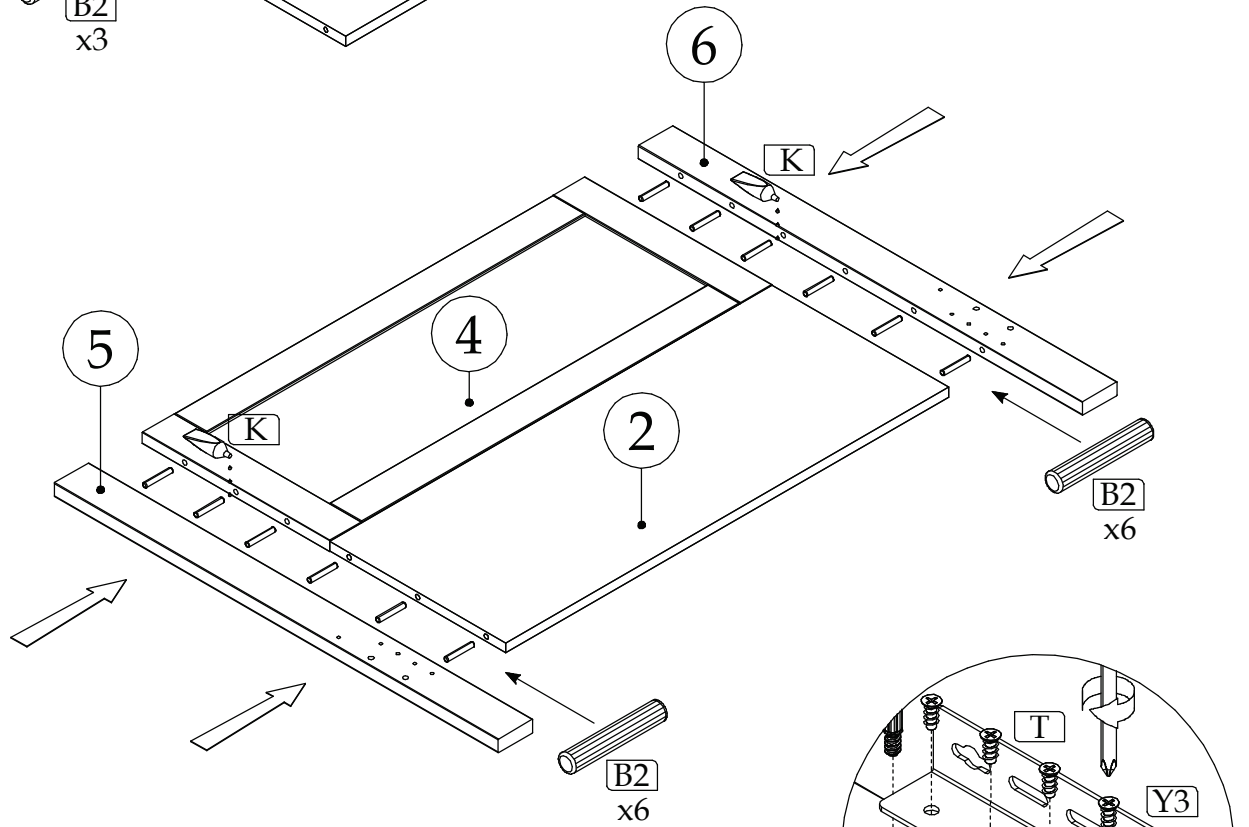
▶ 2



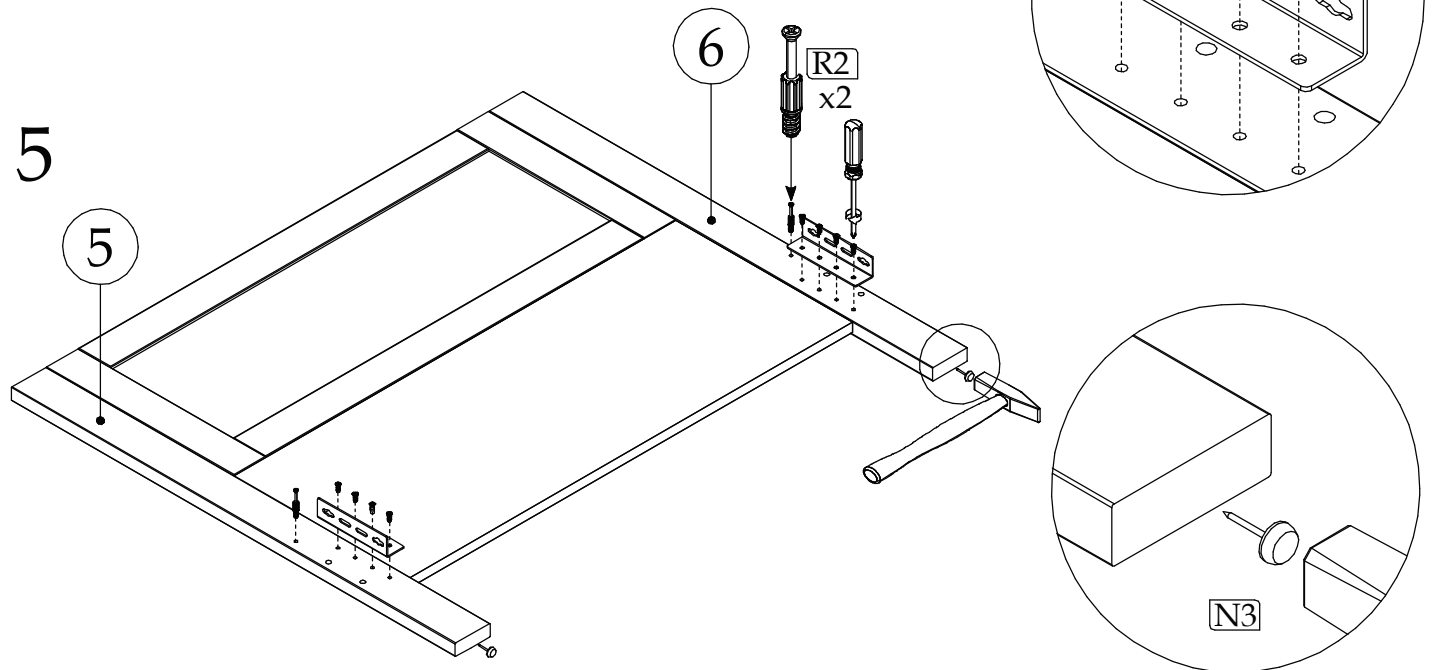
▶ 3



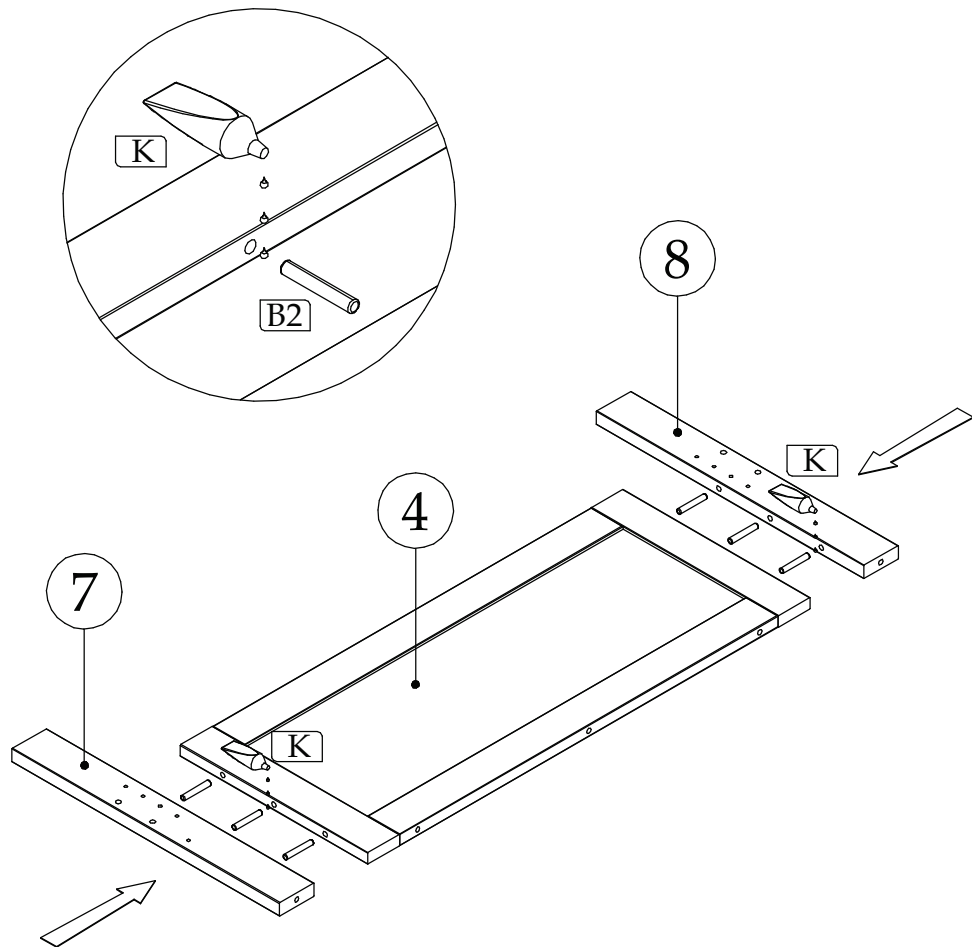
▶ 4



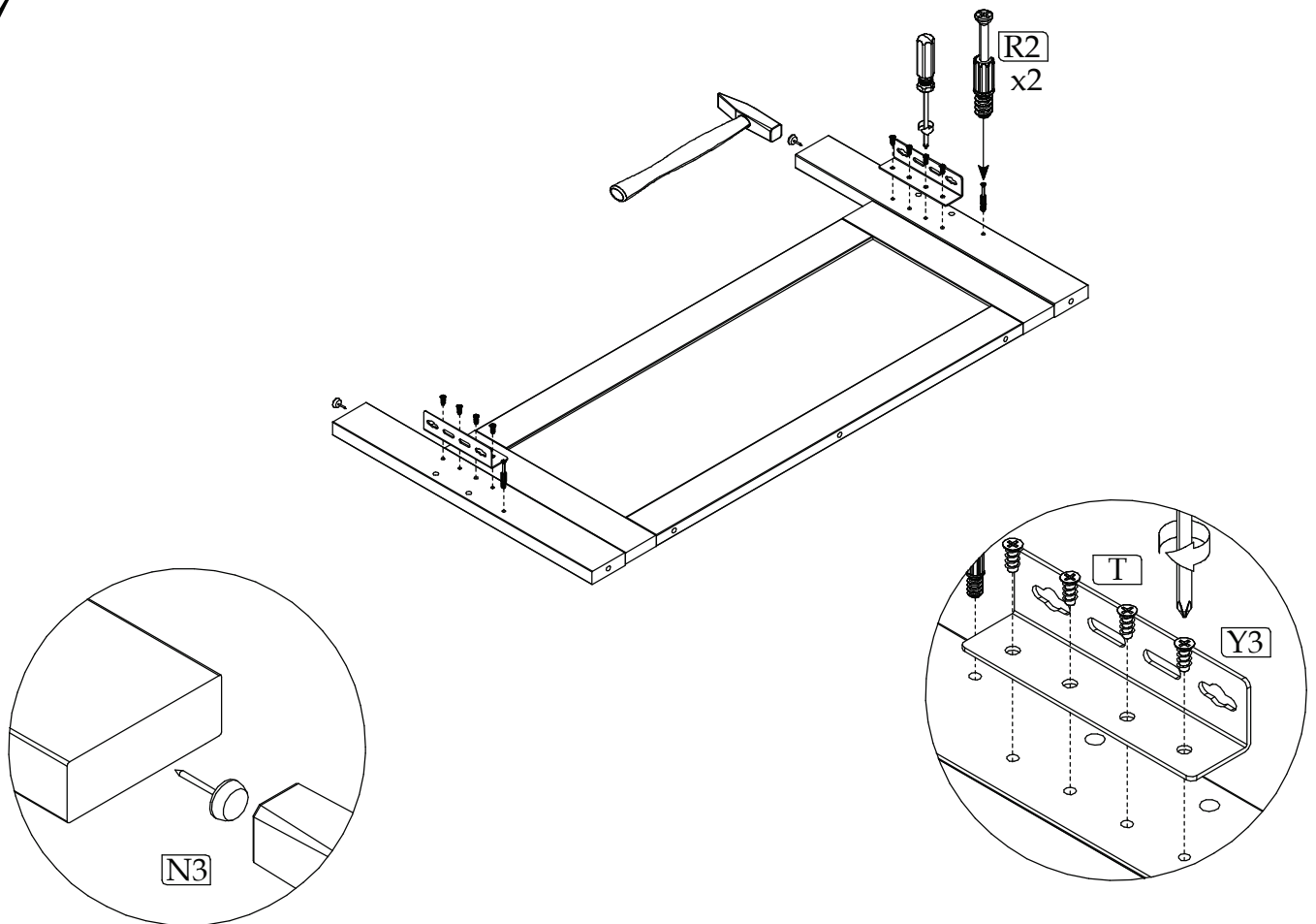
▶ 5

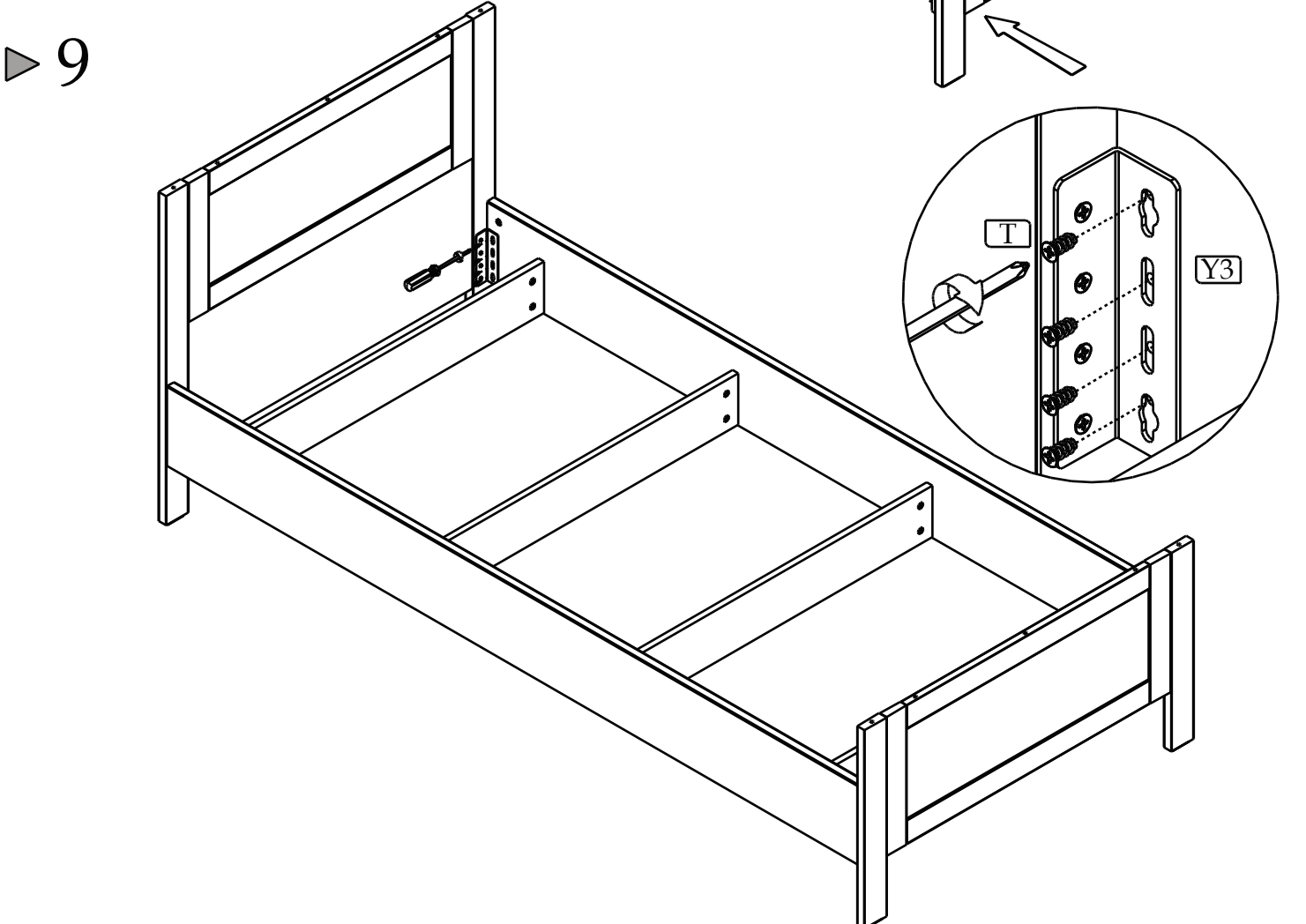
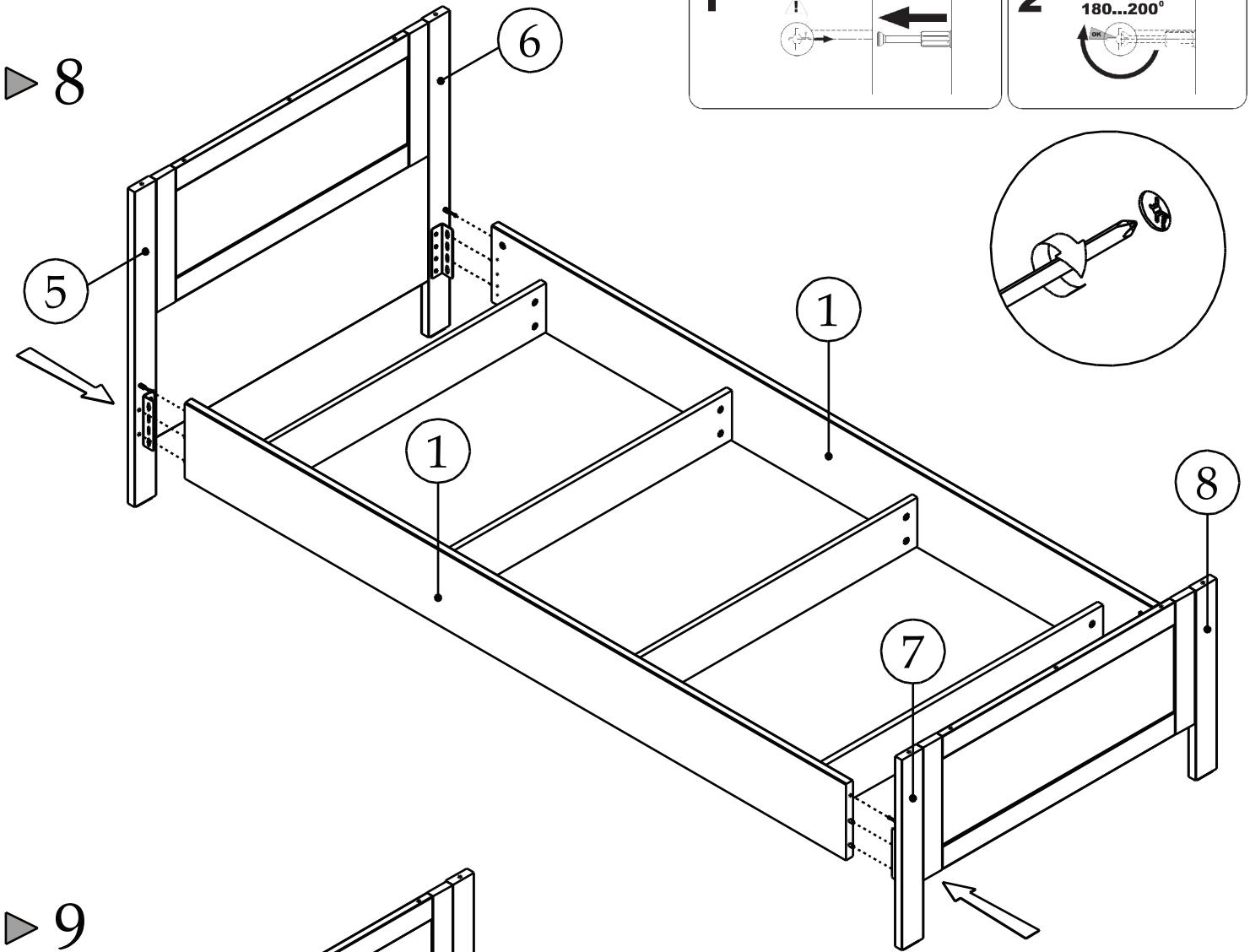
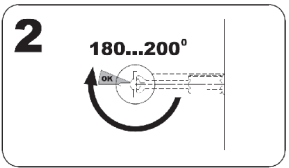
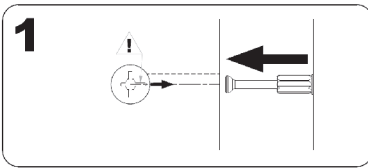


▶ 6



▶ 7





▶ 10

