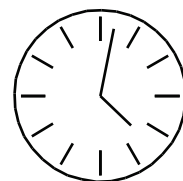
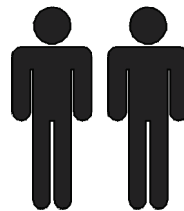
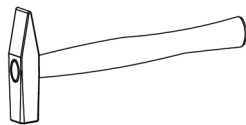
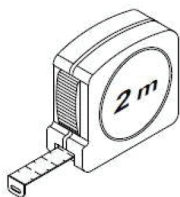
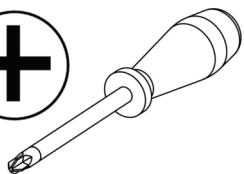
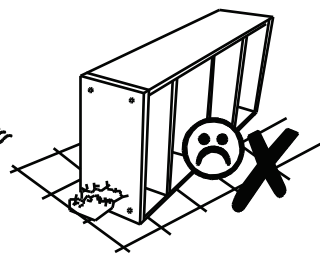
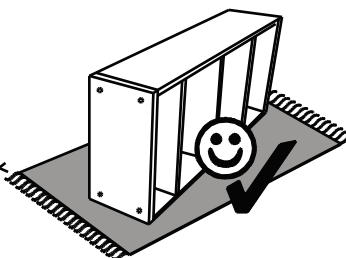
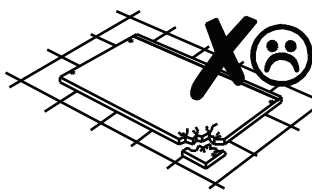
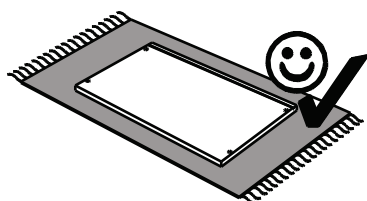
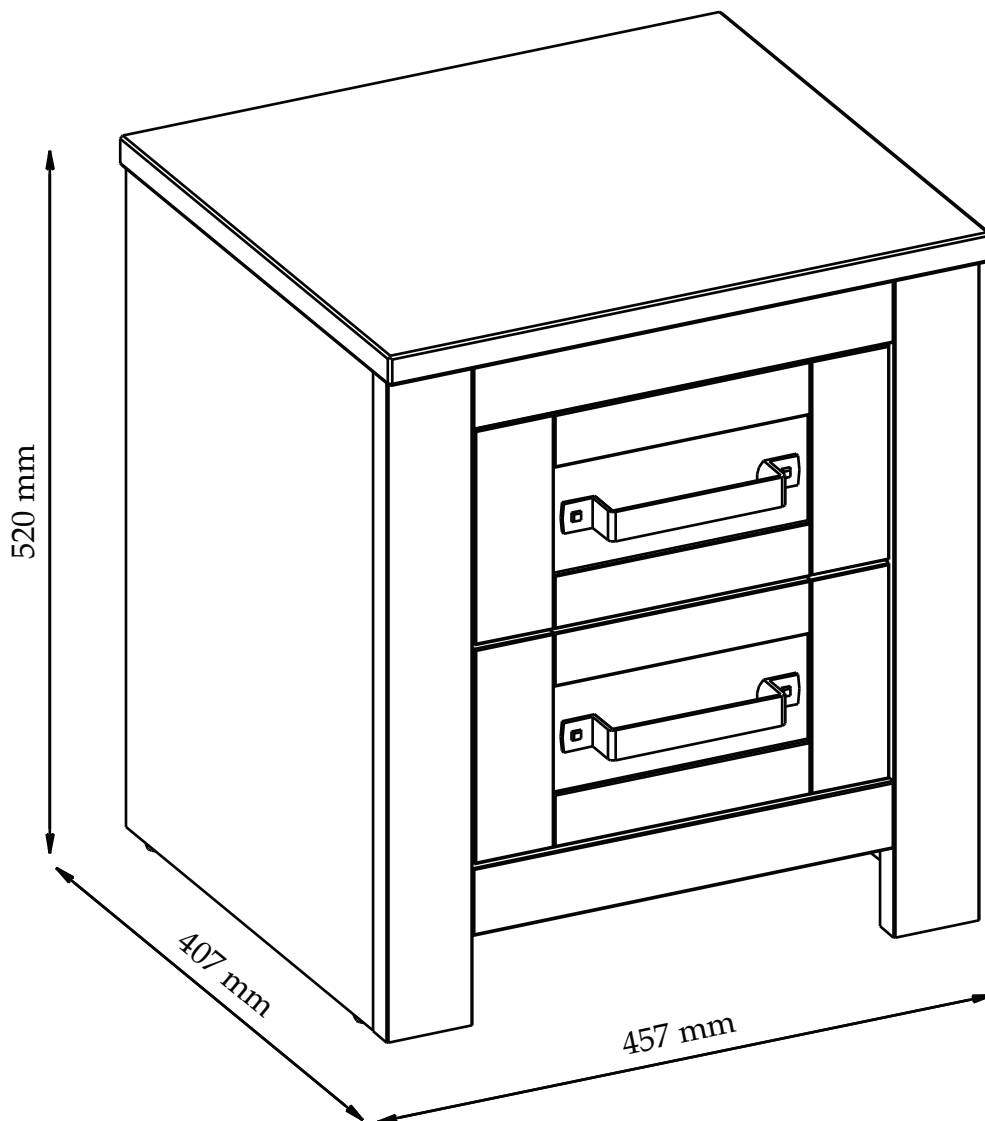
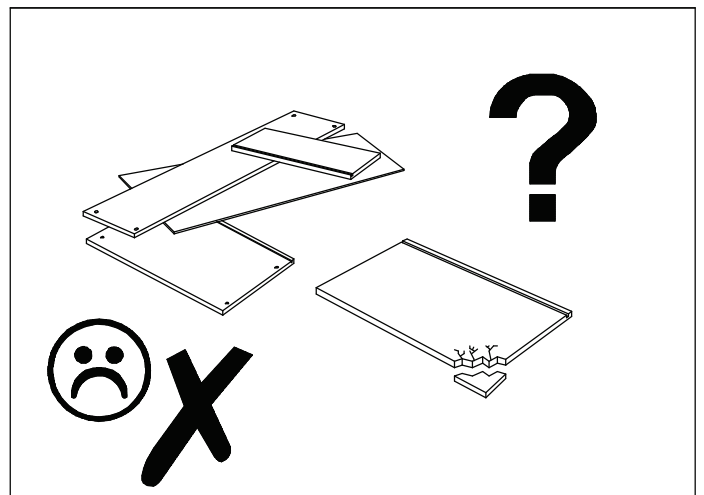
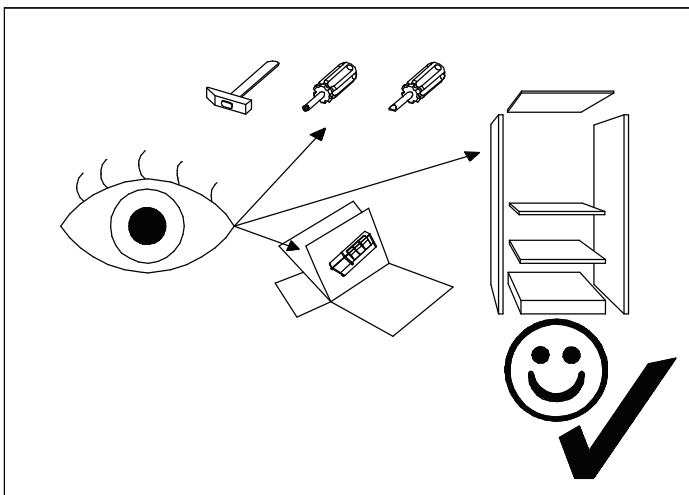
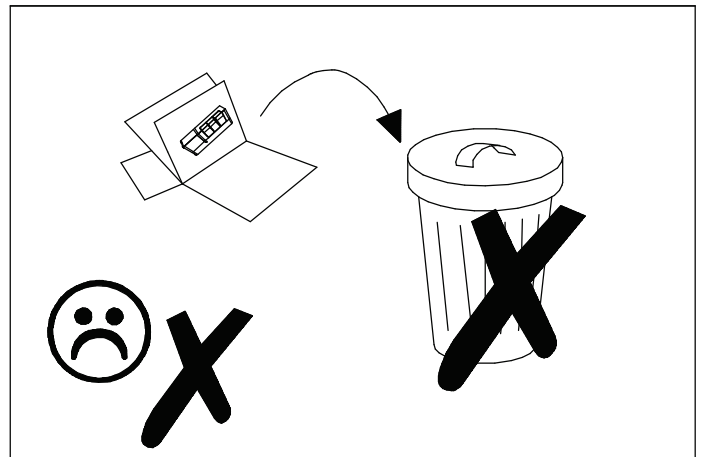
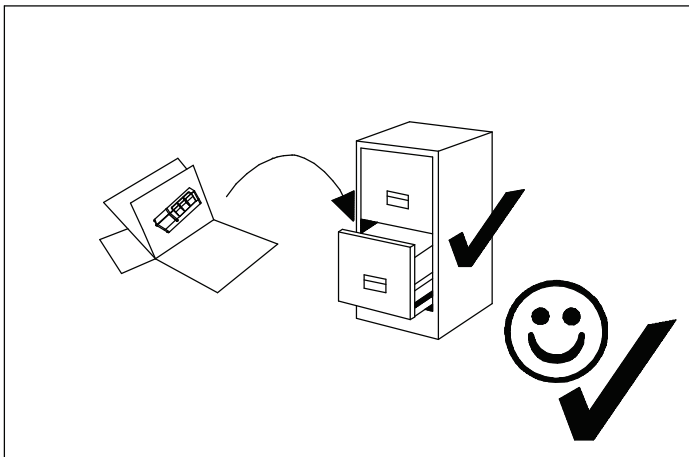
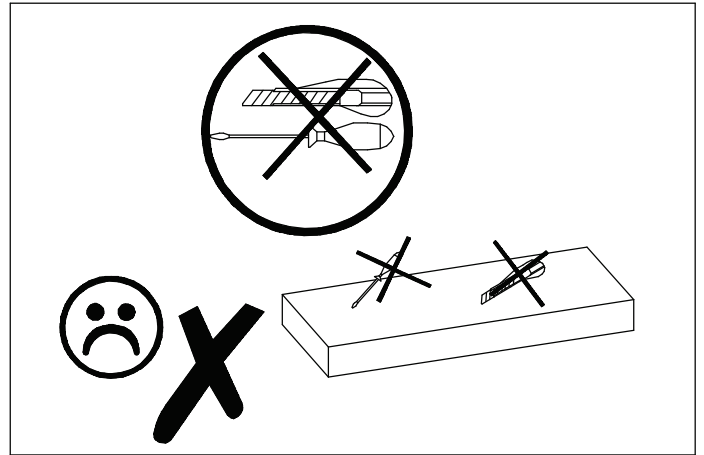
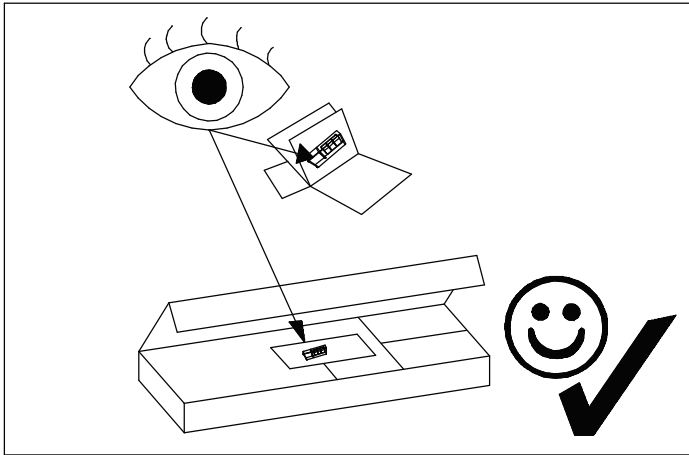


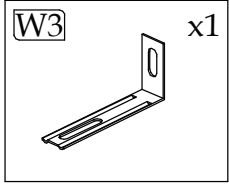
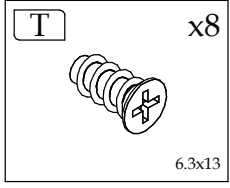
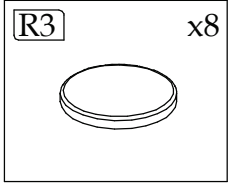
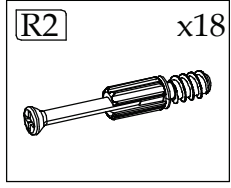
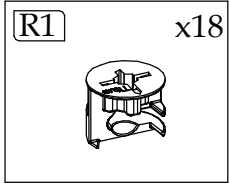
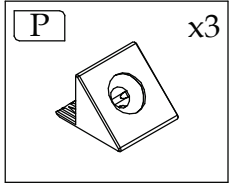
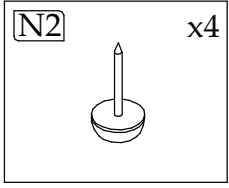
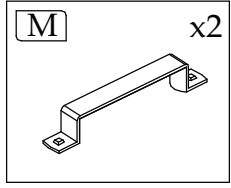
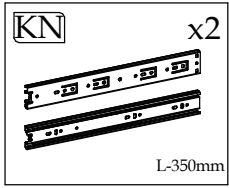
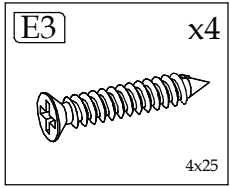
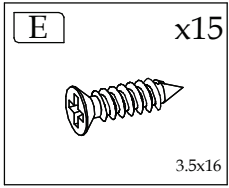
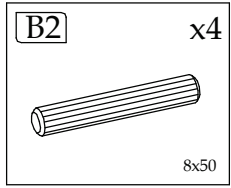
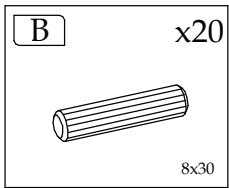
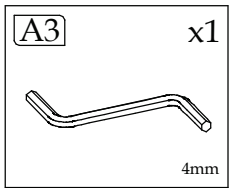
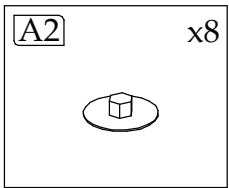
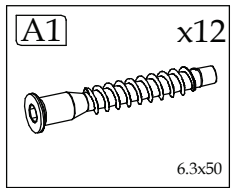
# TEOLO 9



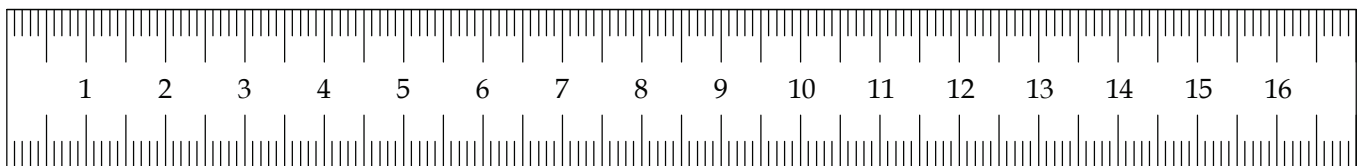
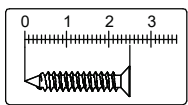
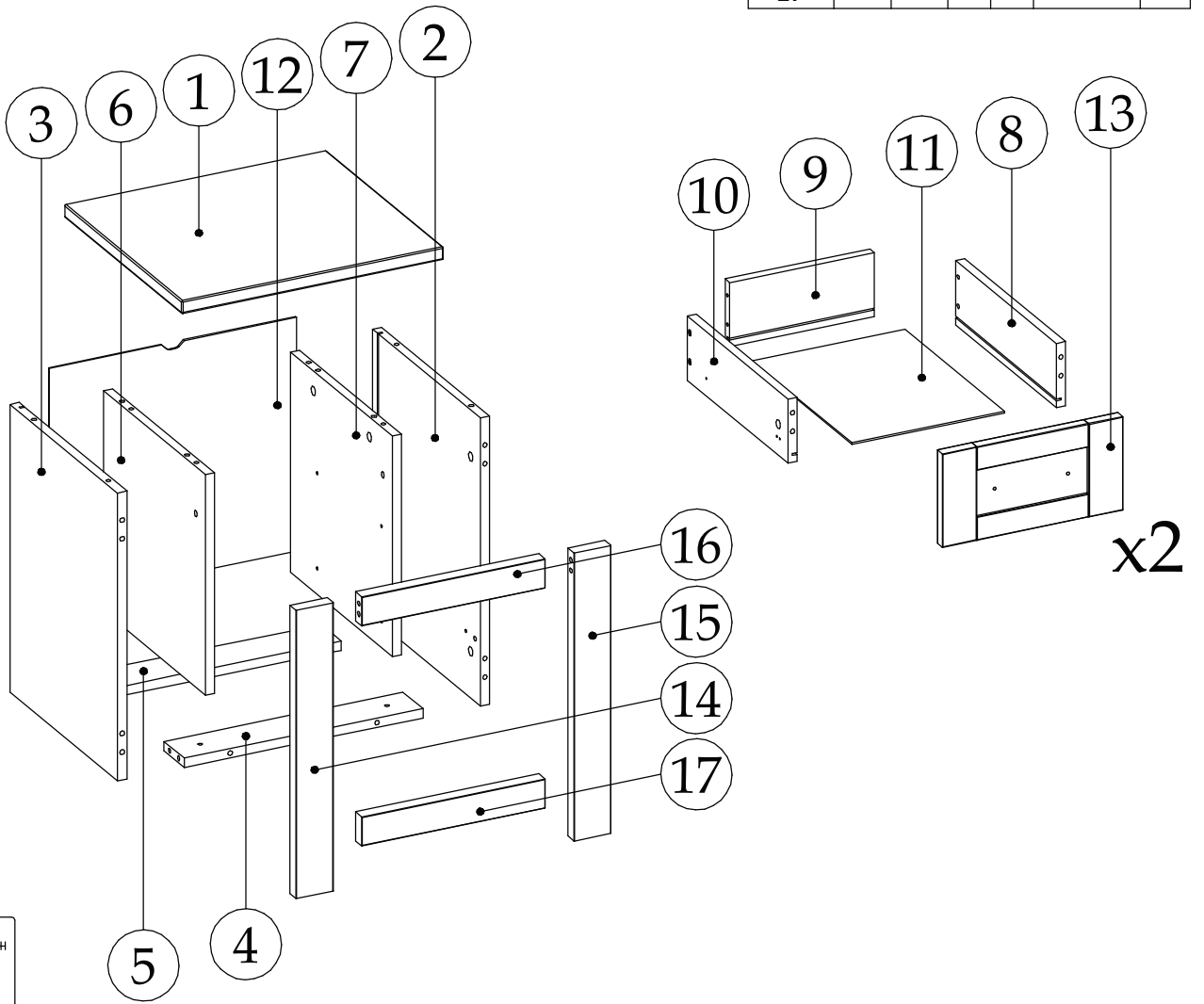
80 min

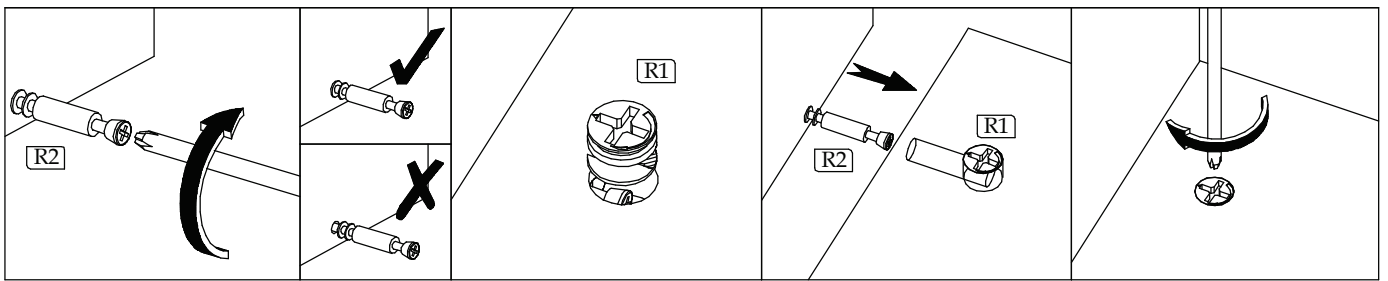




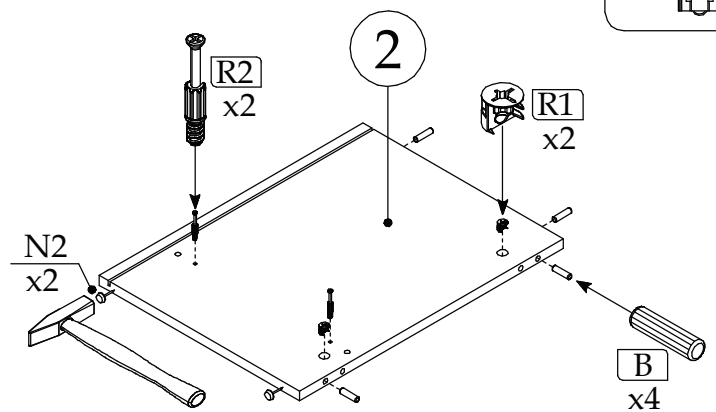
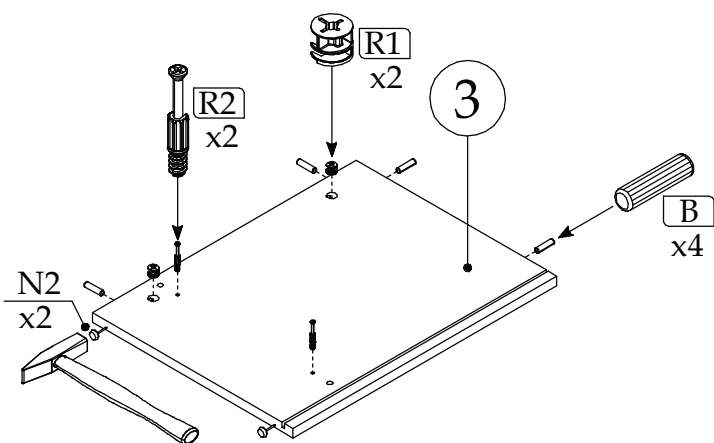
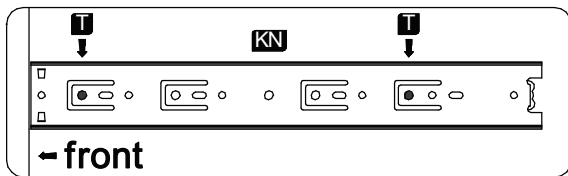
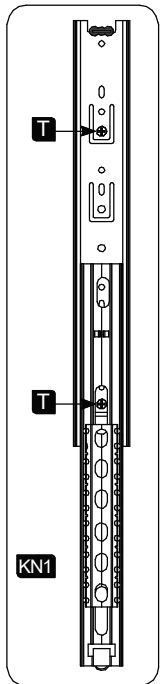
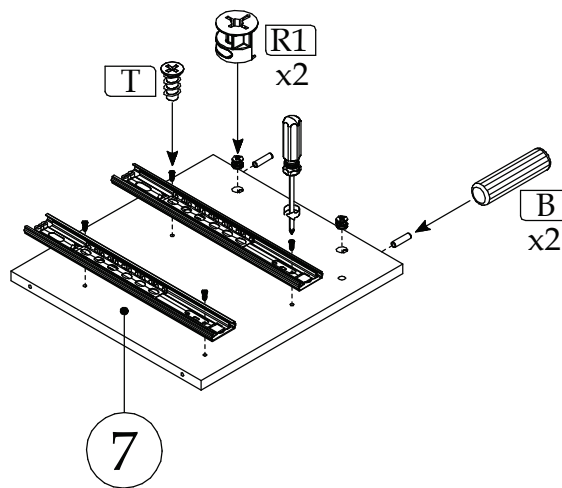
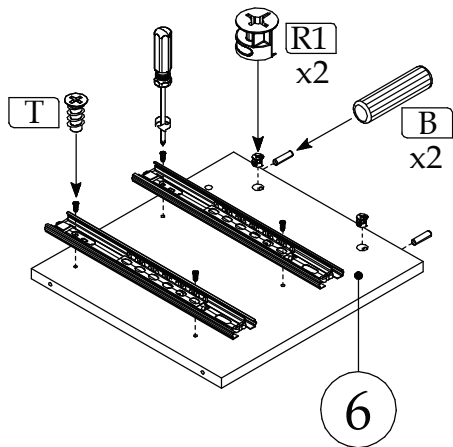
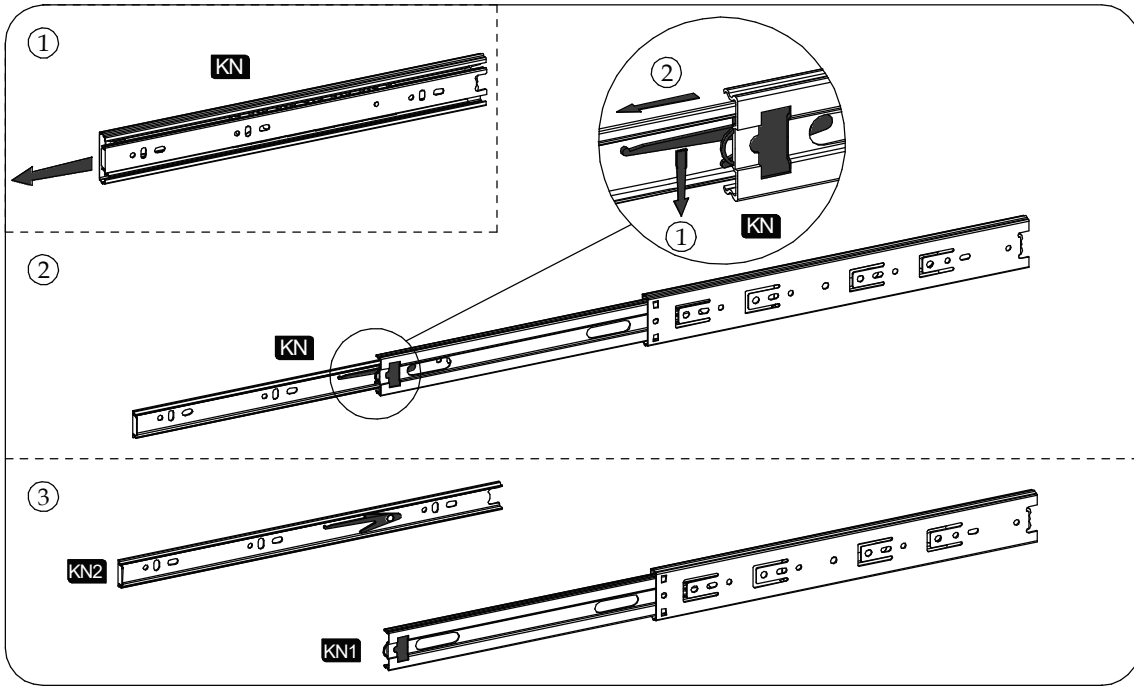


Element symbol	Measurements				Code	Paket
1	457	407	22	1	1002	
2	493.5	375	16	1	1003	
3	493.5	375	16	1	1004	
4	417	70	16	1	1005	
5	417	70	16	1	1006	
6	377.5	355	16	1	1008	
7	377.5	355	16	1	1009	
8	350	110	16	2	1011	
9	252.5	110	16	2	1012	
10	350	110	16	2	1013	
11	266.5	346	3	2	N/A	
12	400	431	3	1	1020	
13	315	160	19	2	3001	
14	493.5	65	22	1	3002	
15	493.5	65	22	1	3003	
16	320	50	22	1	3004	
17	320	50	22	1	3005	

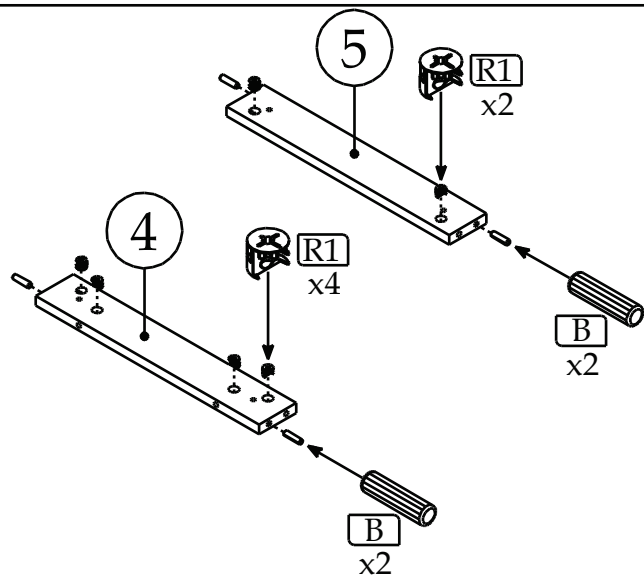
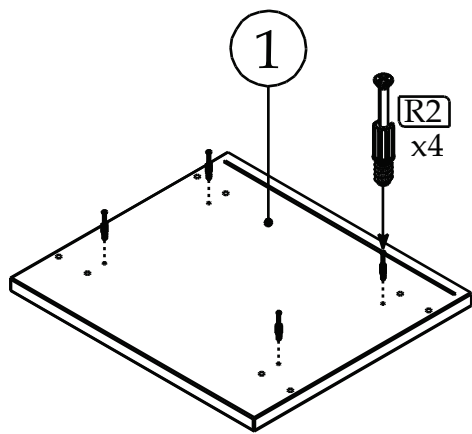




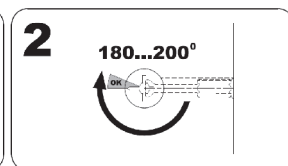
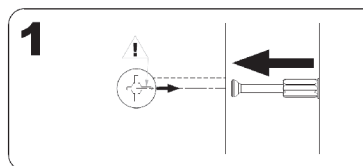
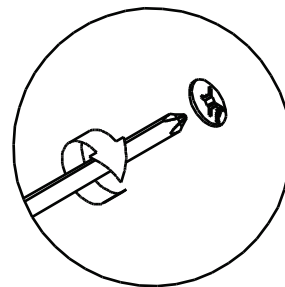
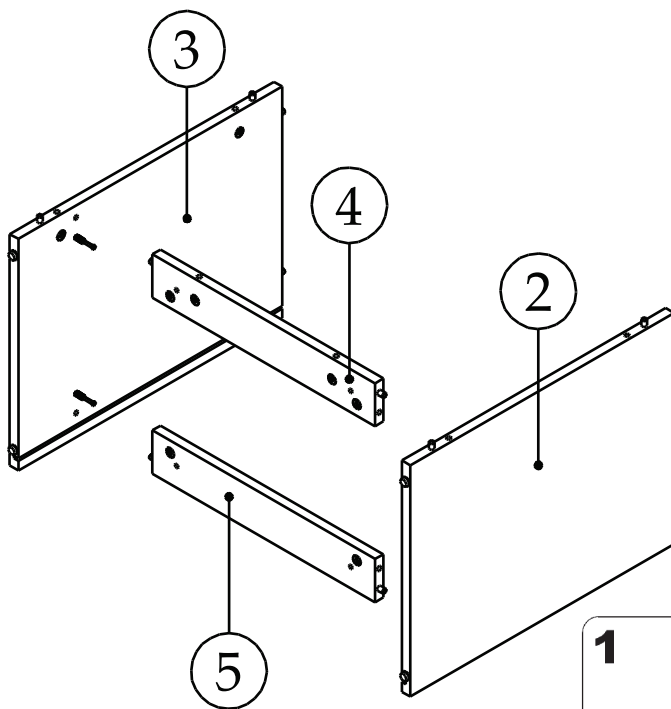
► 1



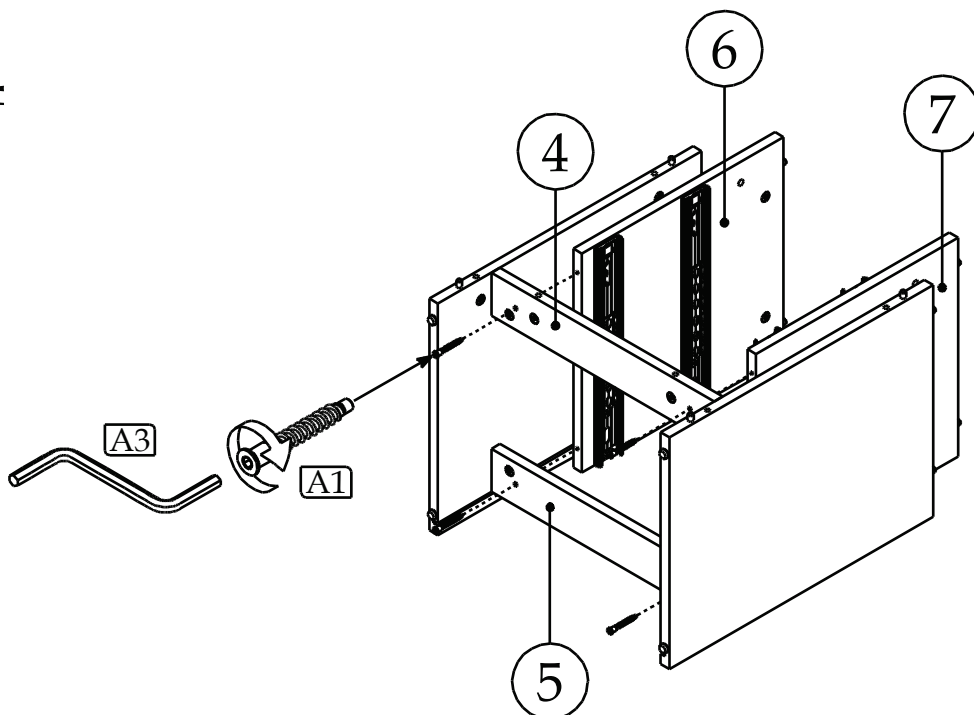
▶ 2



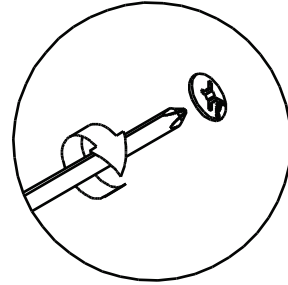
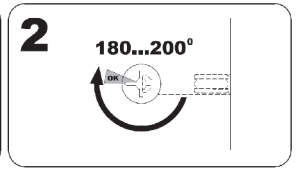
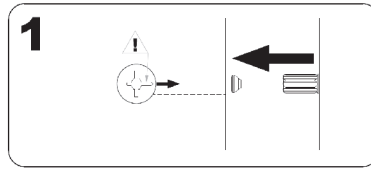
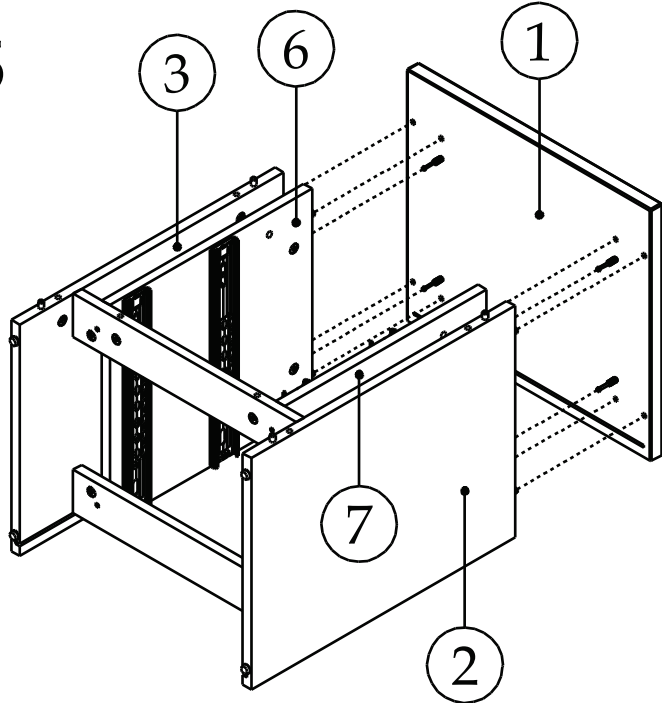
▶ 3



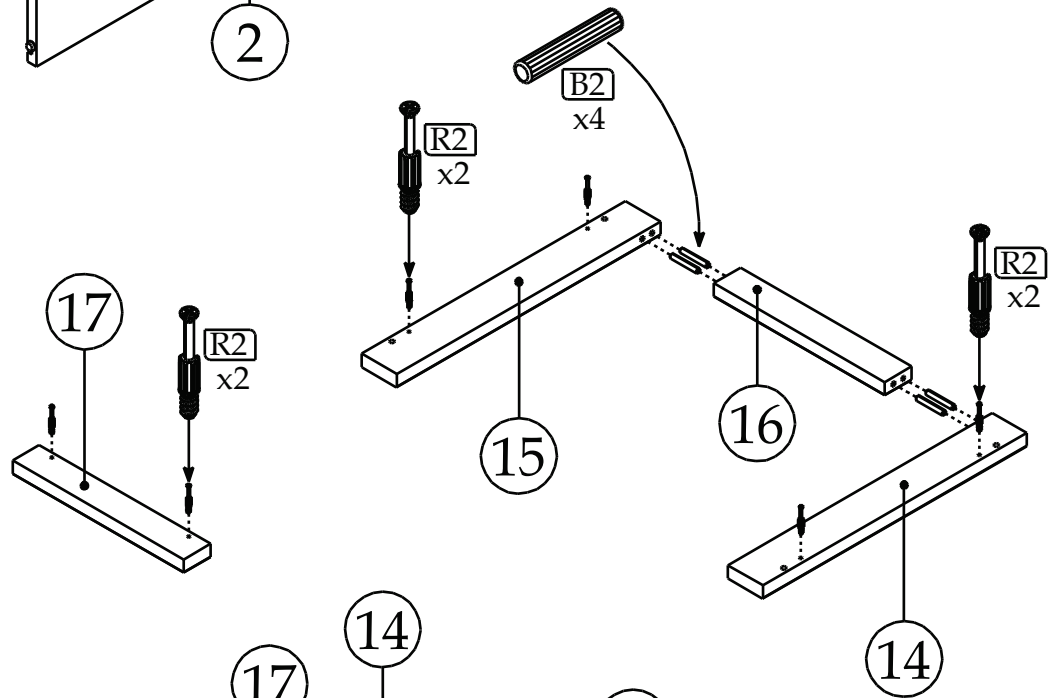
▶ 4



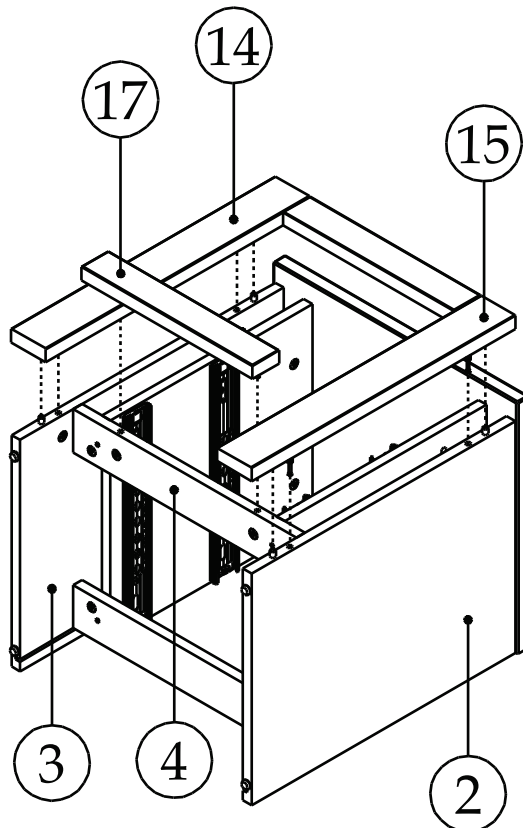
▶ 5



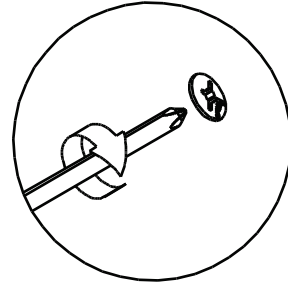
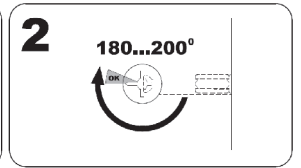
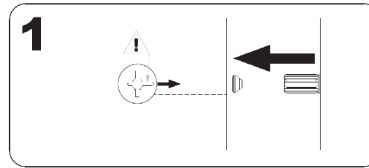
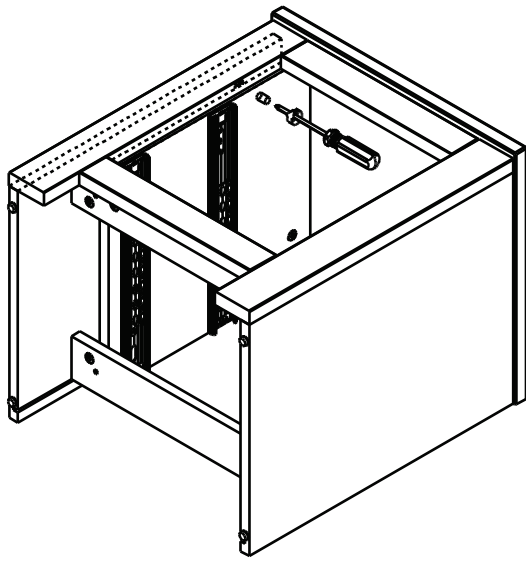
▶ 6



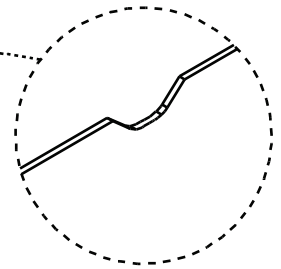
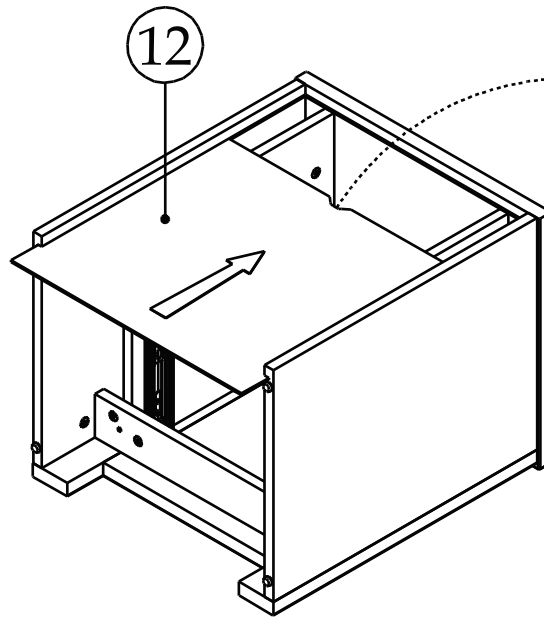
▶ 7



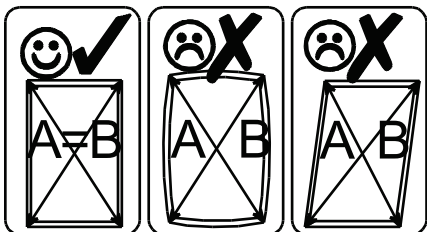
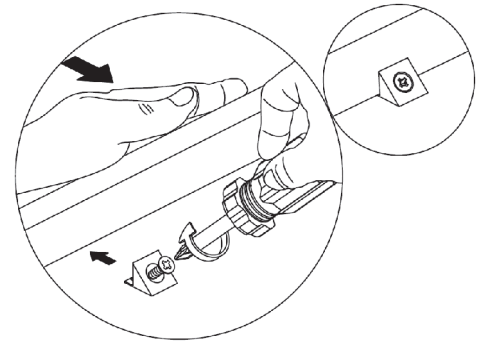
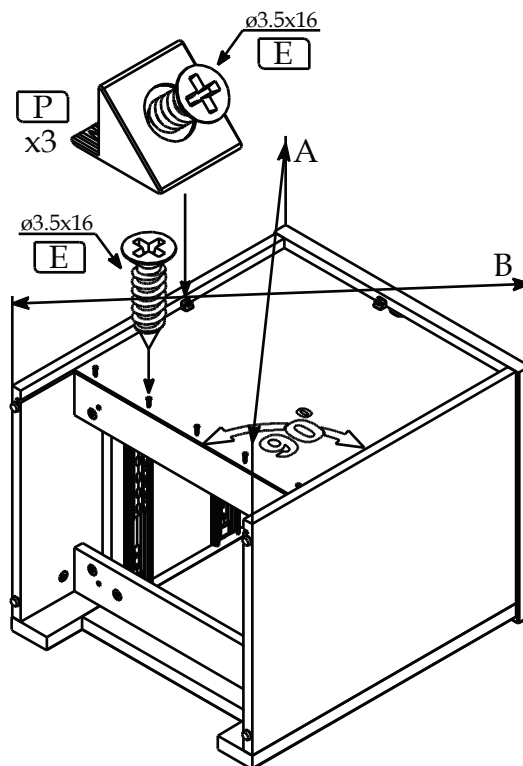
▶ 8



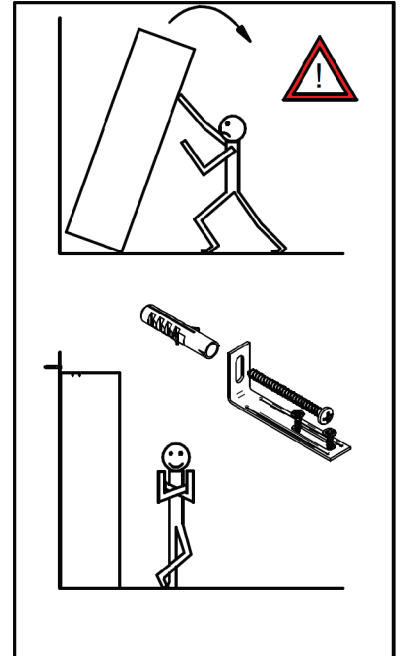
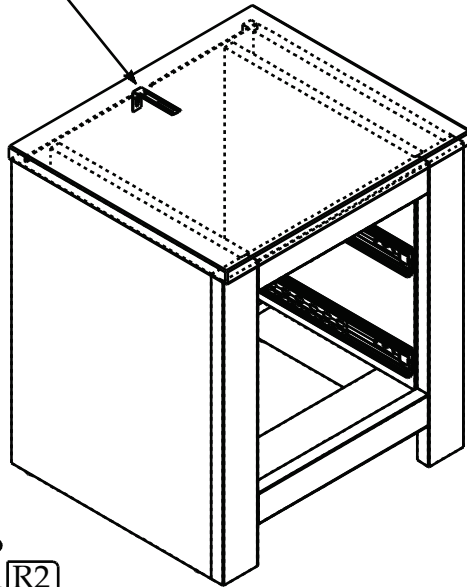
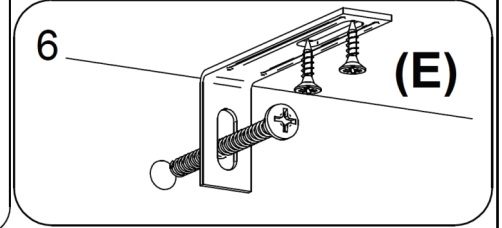
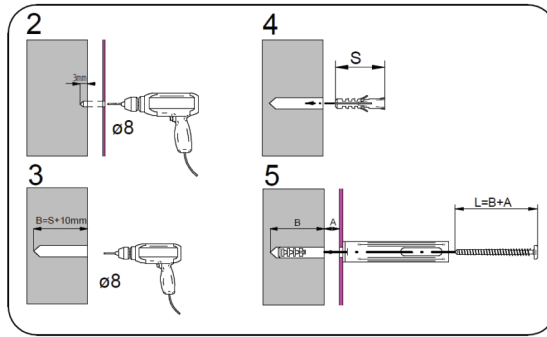
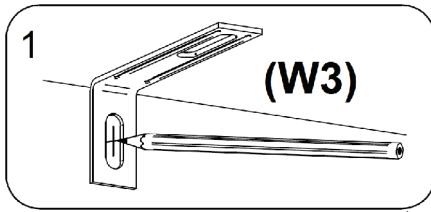
▶ 9



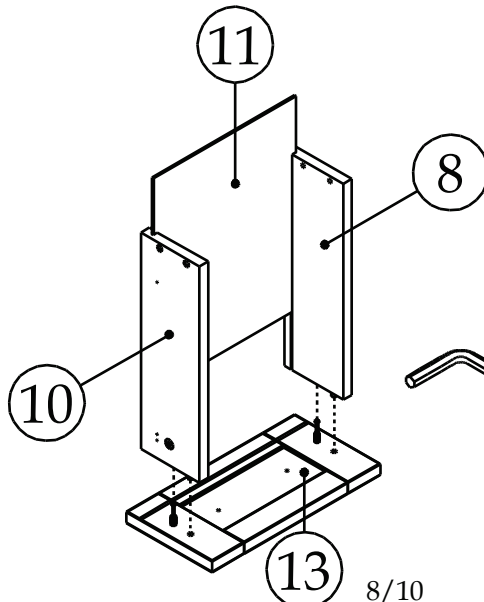
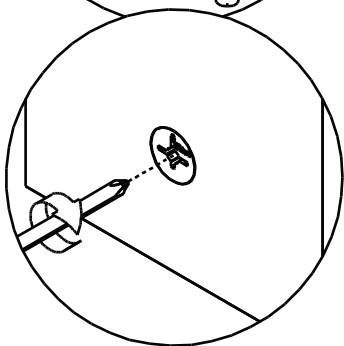
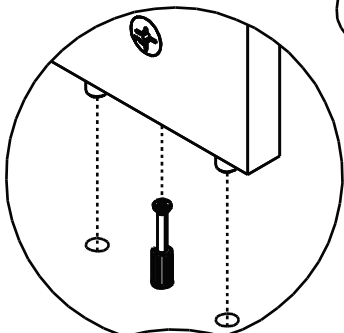
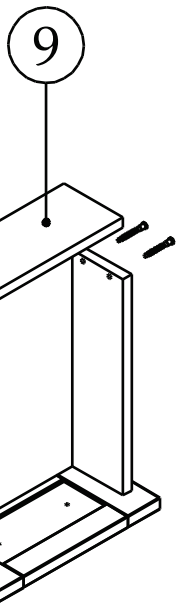
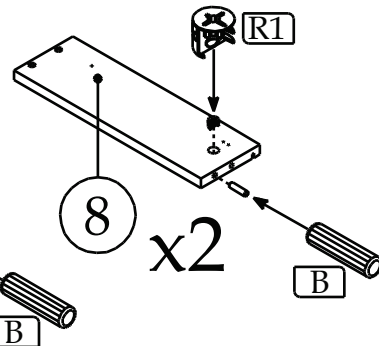
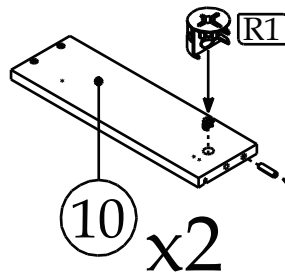
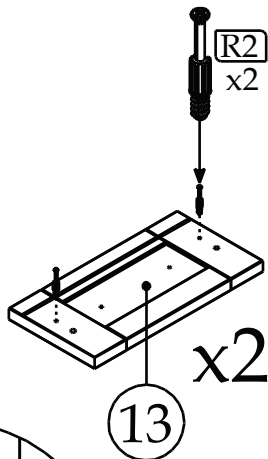
▶ 10



► 11

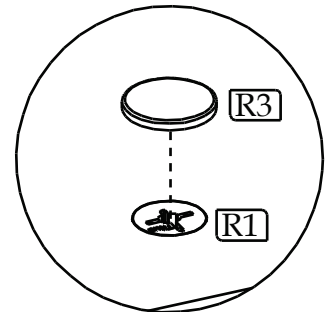
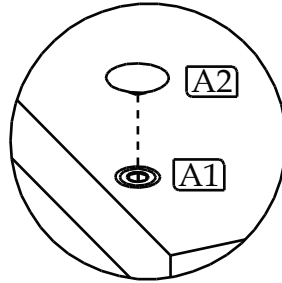
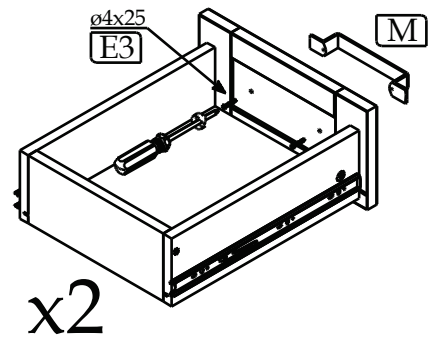
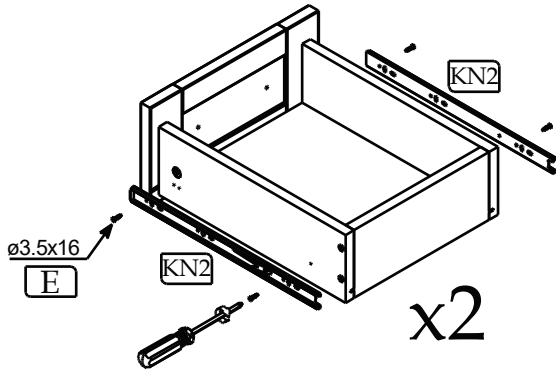
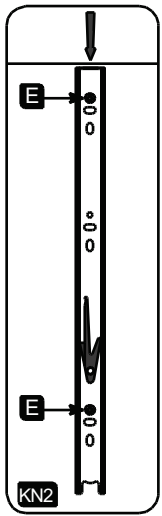


► 12





► 13



► 14

