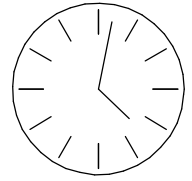
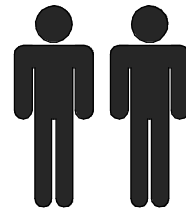
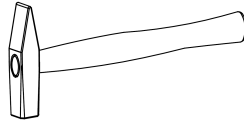
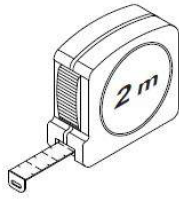
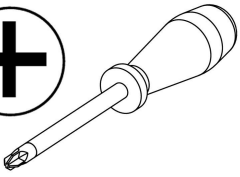
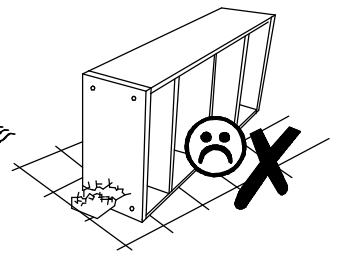
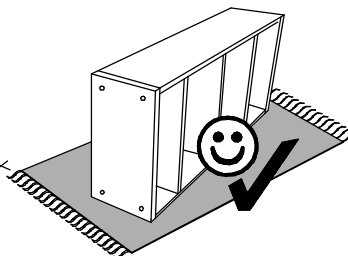
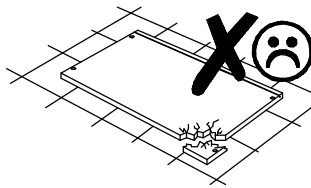
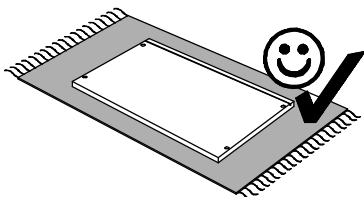
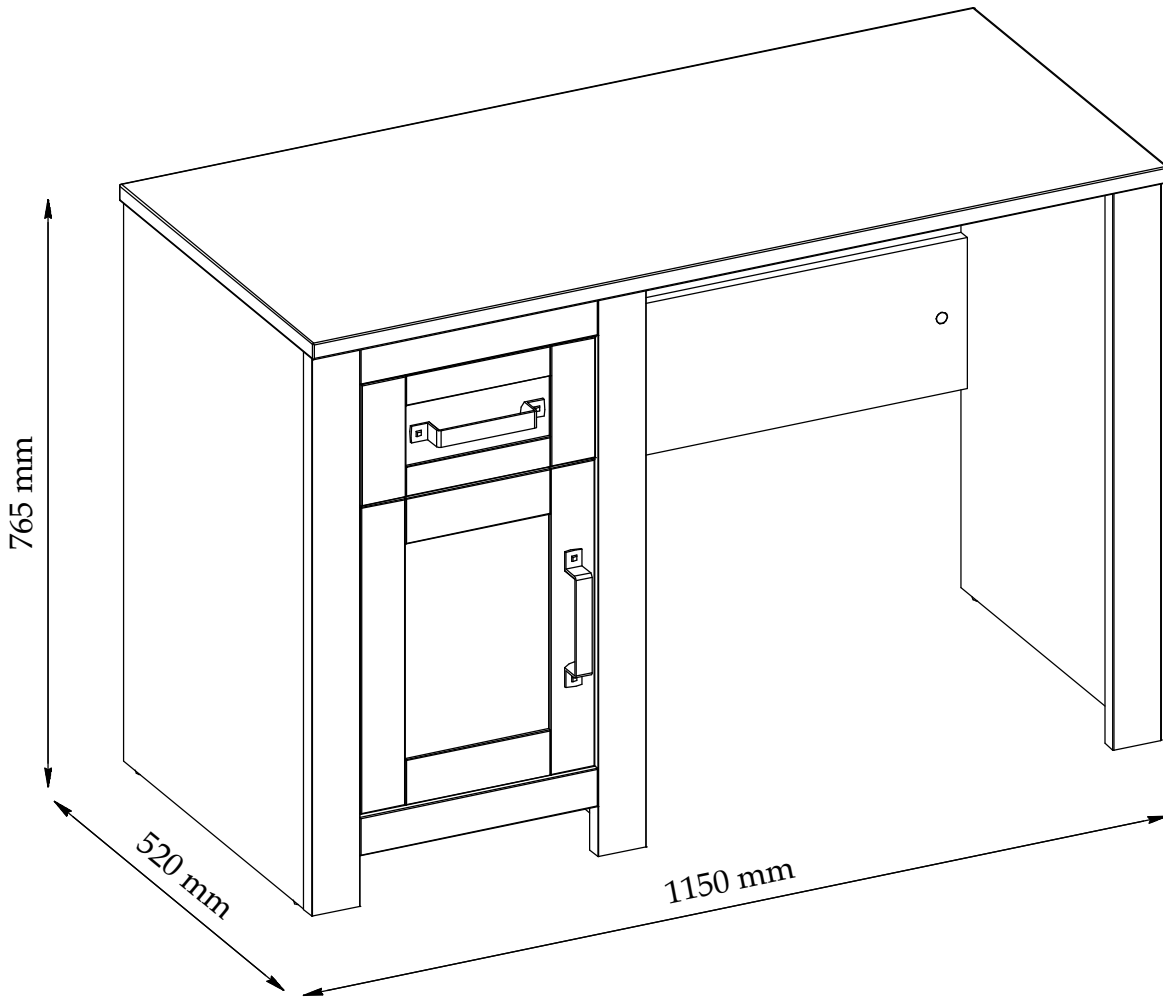
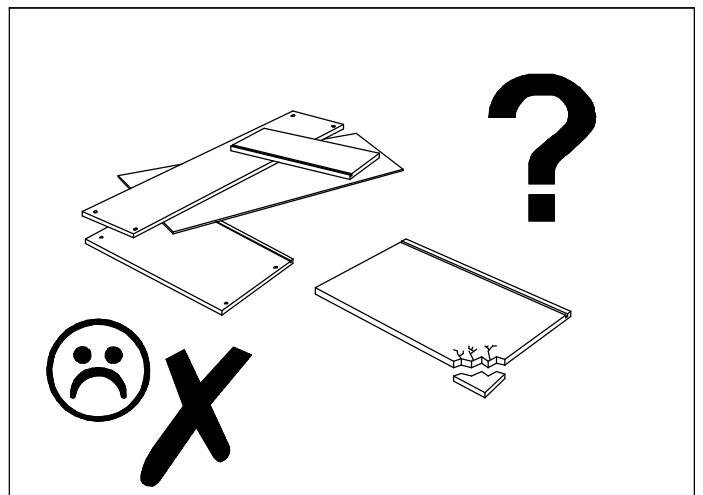
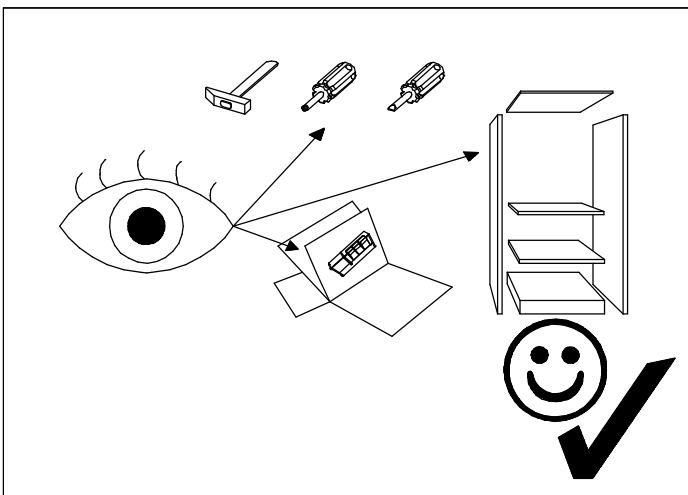
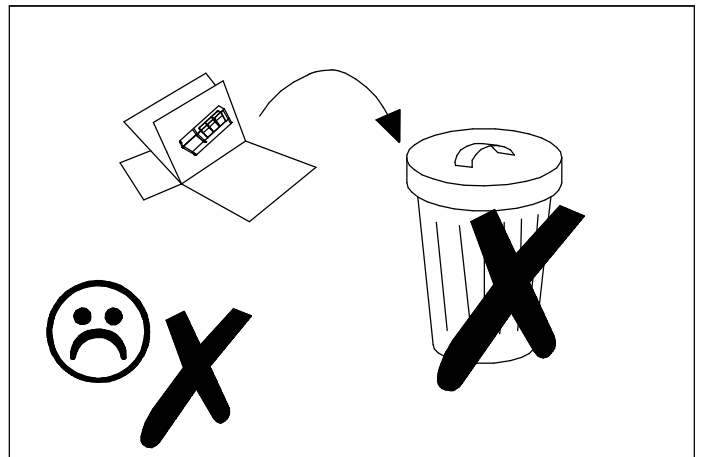
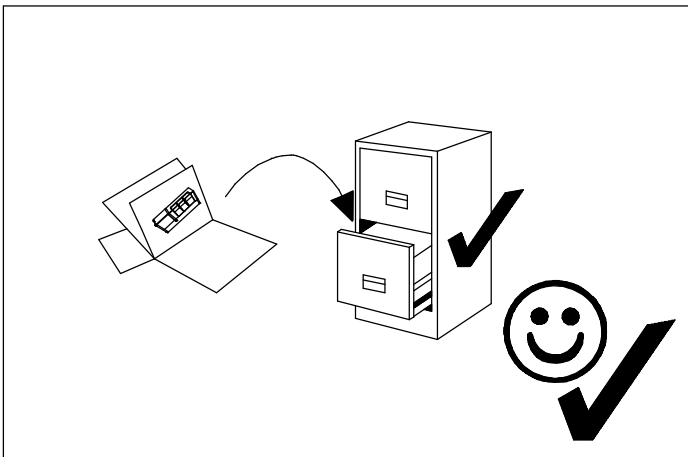
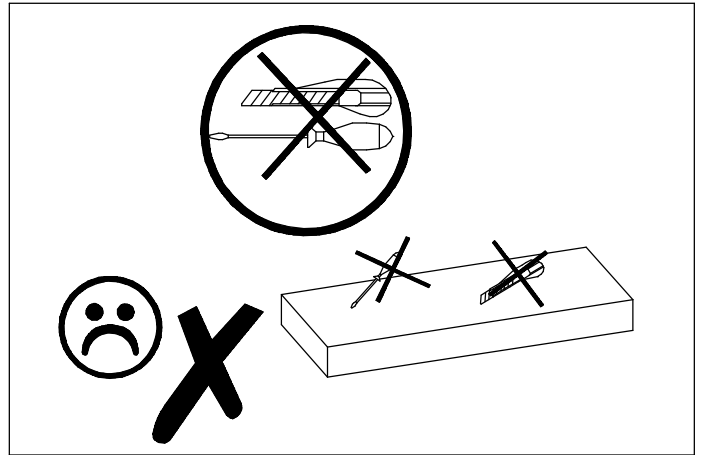
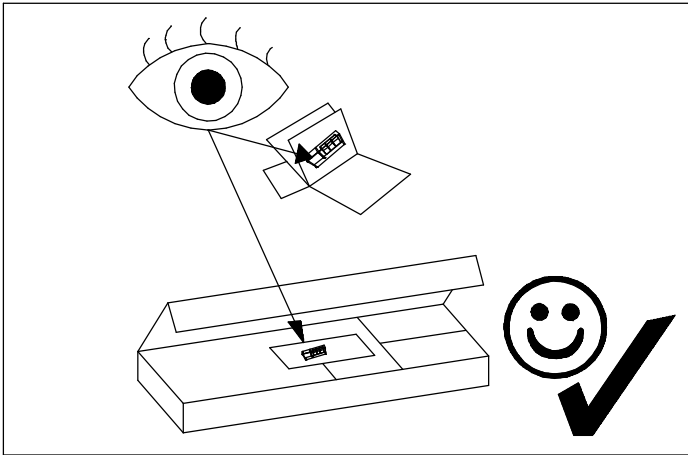


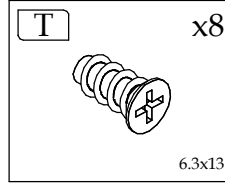
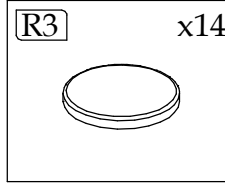
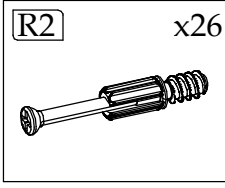
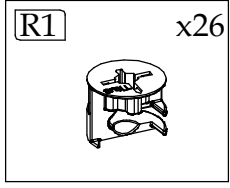
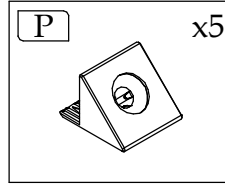
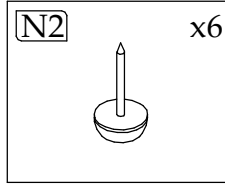
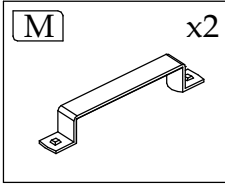
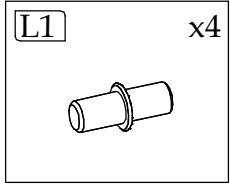
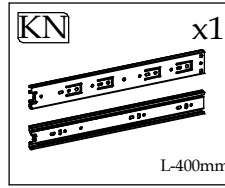
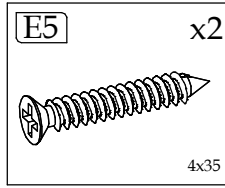
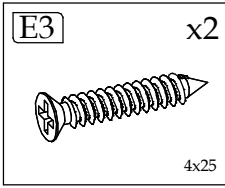
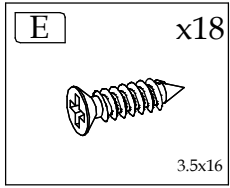
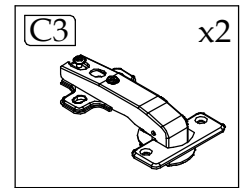
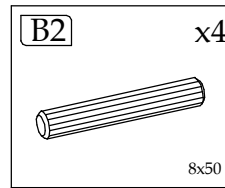
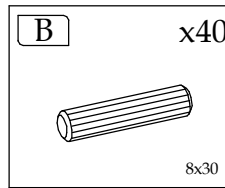
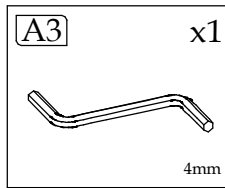
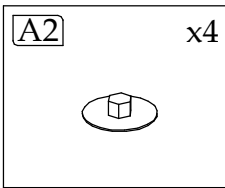
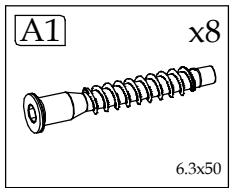
TEOLO 8



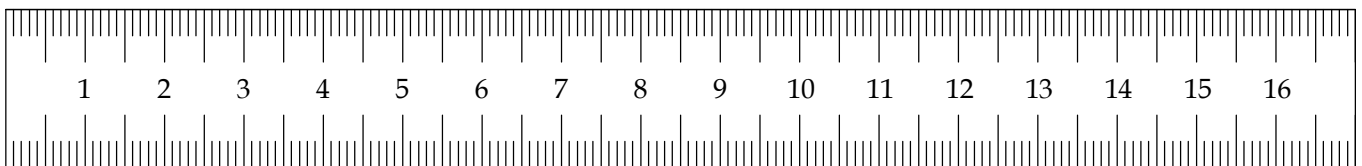
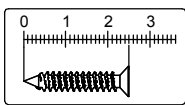
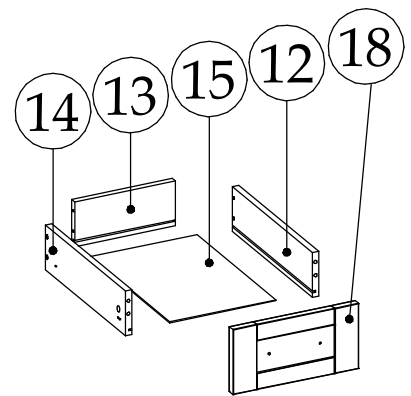
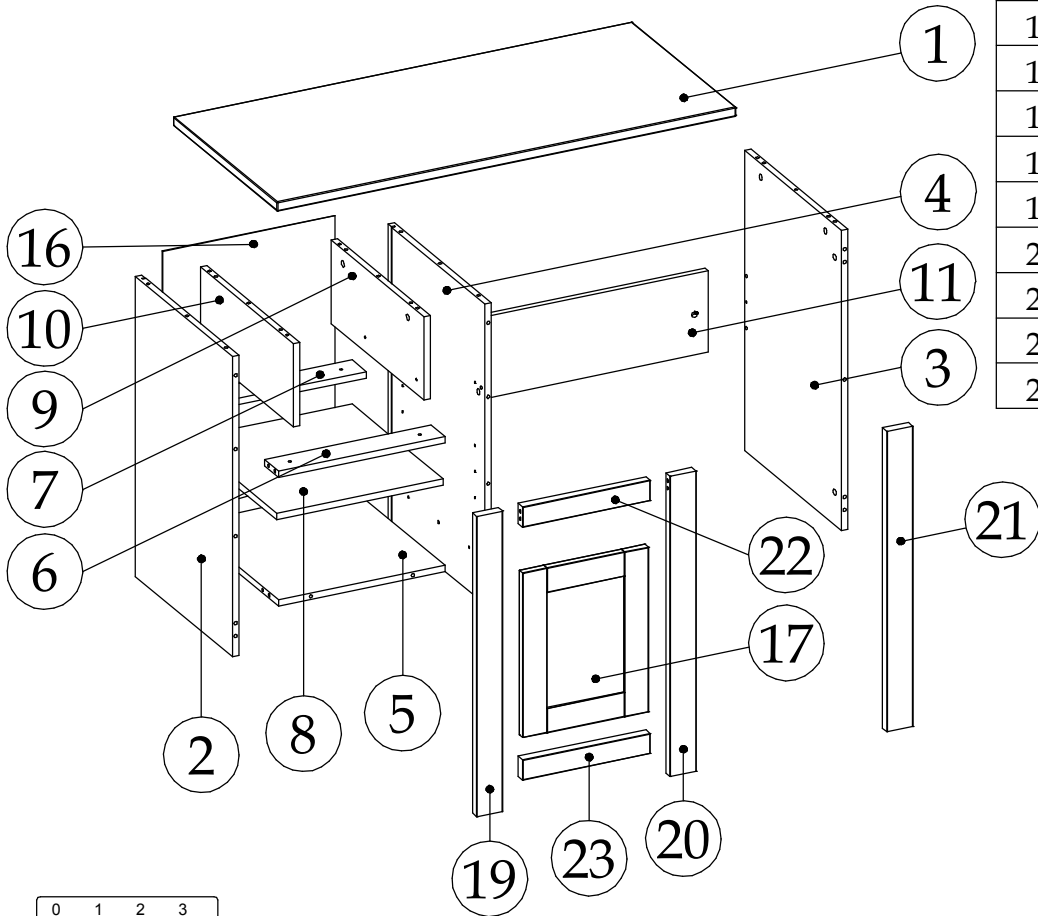
100 min

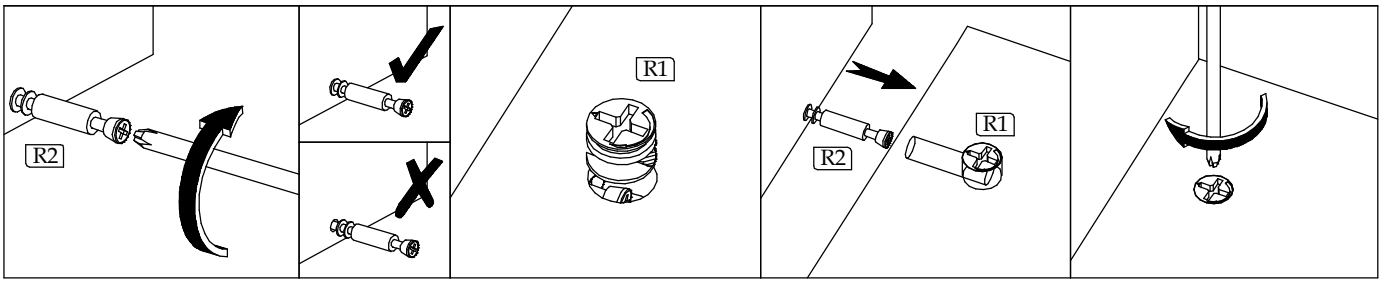




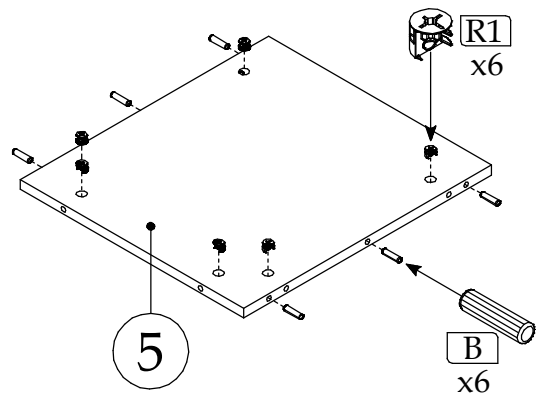
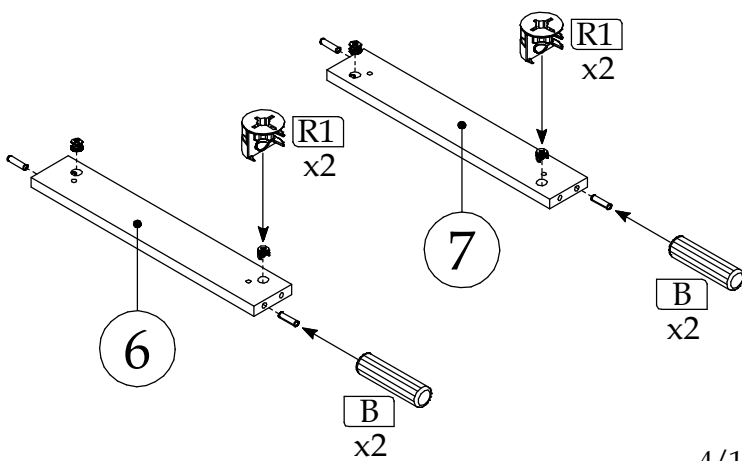
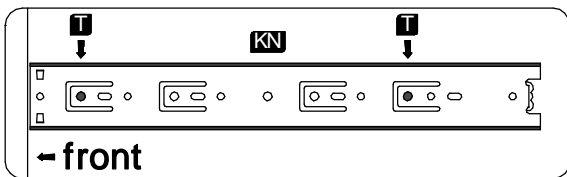
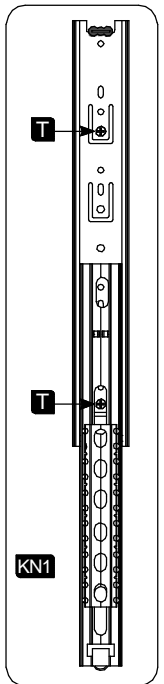
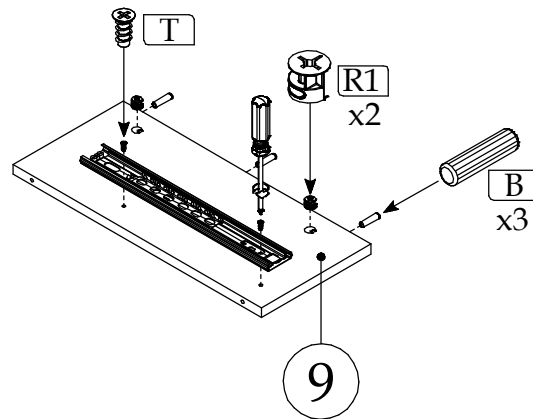
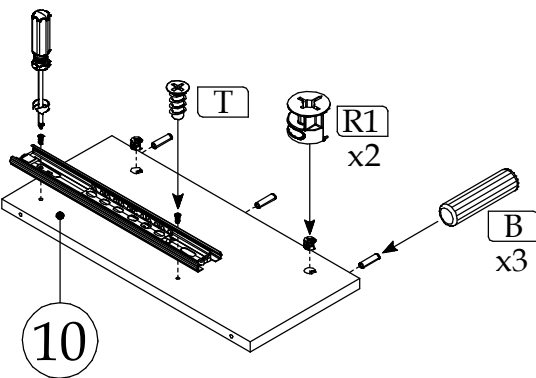
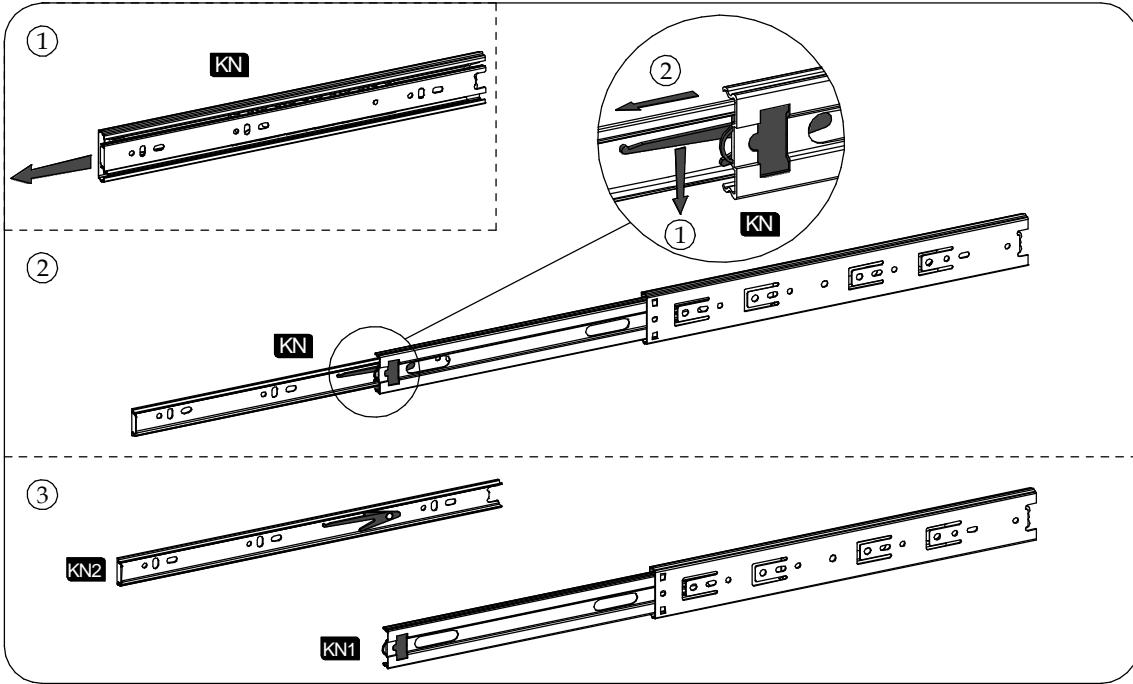


Element symbol	Measurements				Code	Paket
	1	2	3	4		
1	1150	520	22	1	1002	
2	738.5	485	16	1	1003	
3	738.5	485	16	1	1004	
4	738.5	485	16	1	1005	
5	417	464	16	1	1006	
6	417	70	16	1	1008	
7	417	70	16	1	1009	
8	416	450	16	1	N/A	
9	205.5	464	16	1	1011	
10	205.5	464	16	1	1012	
11	677	200	16	1	1017	
12	400	110	16	1	1001	
13	252.5	110	16	1	1014	
14	400	110	16	1	1015	
15	266.5	396	3	1	N/A	
16	645	431	3	1	N/A	
17	405	315	19	2	3001	
18	315	160	19	1	3002	
19	738.5	65	22	1	3003	
20	738.5	65	22	1	3004	
21	738.5	65	22	1	3005	
22	320	50	22	1	3006	
23	320	50	22	1	3007	

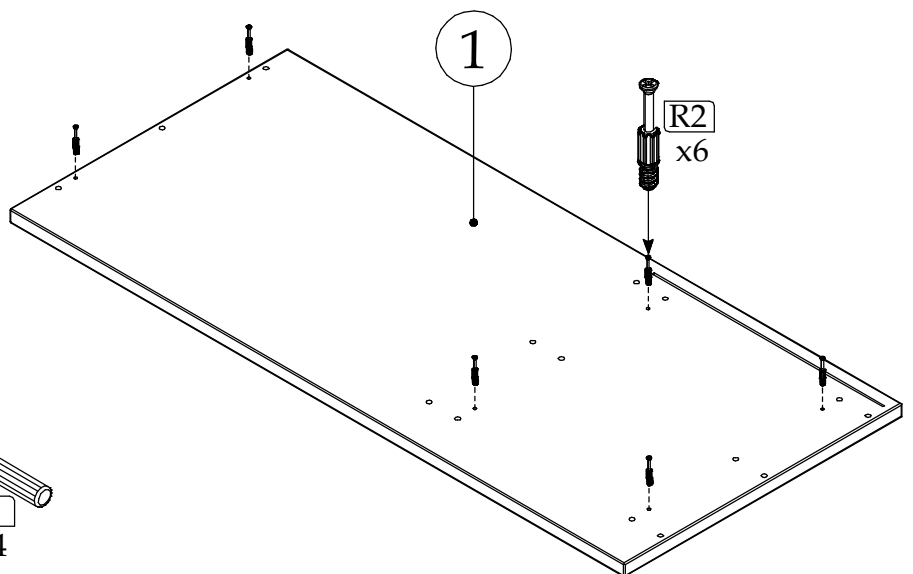
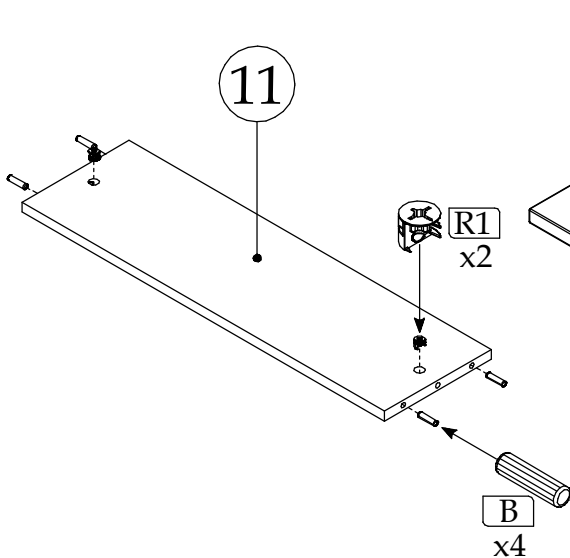
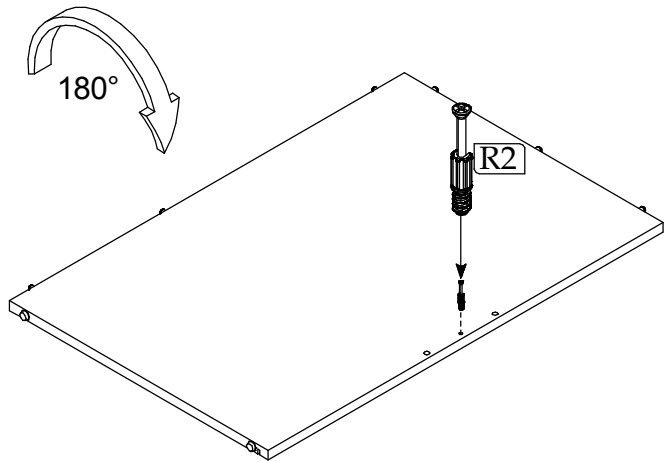
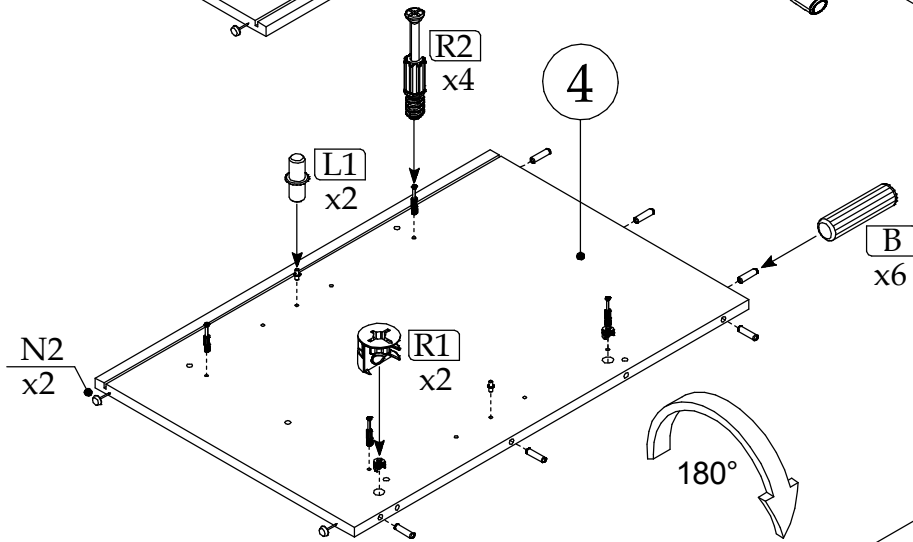
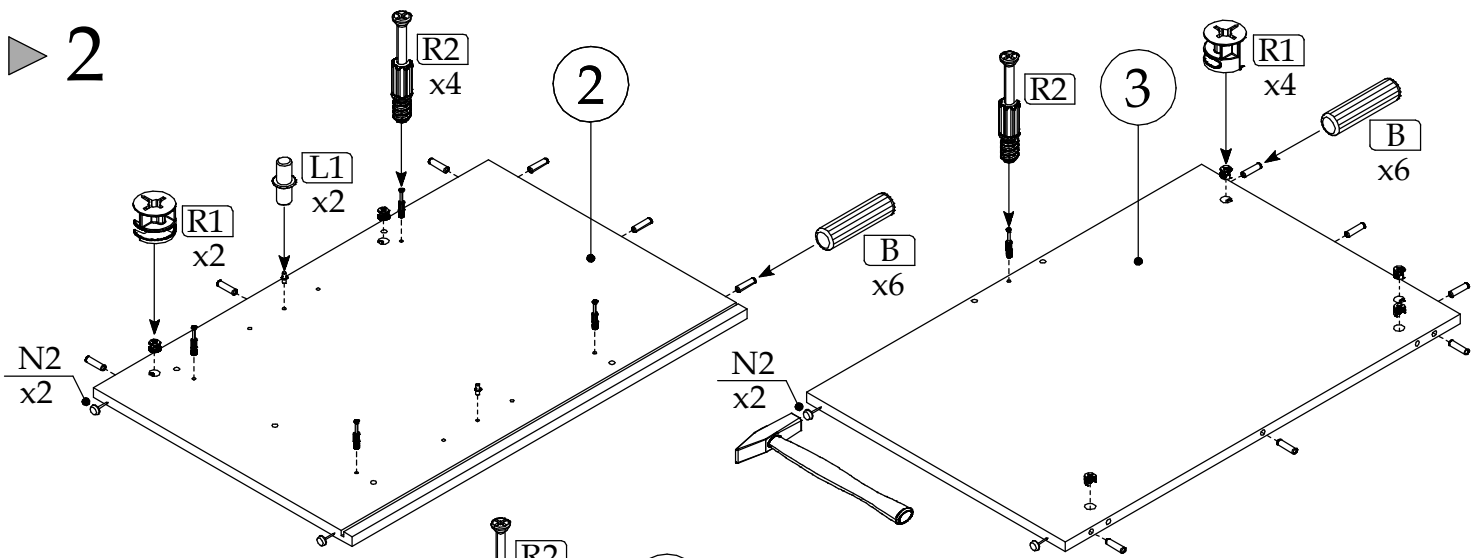




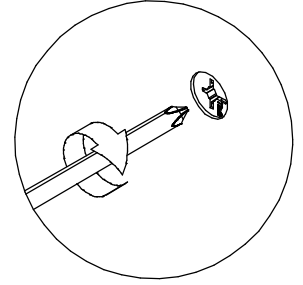
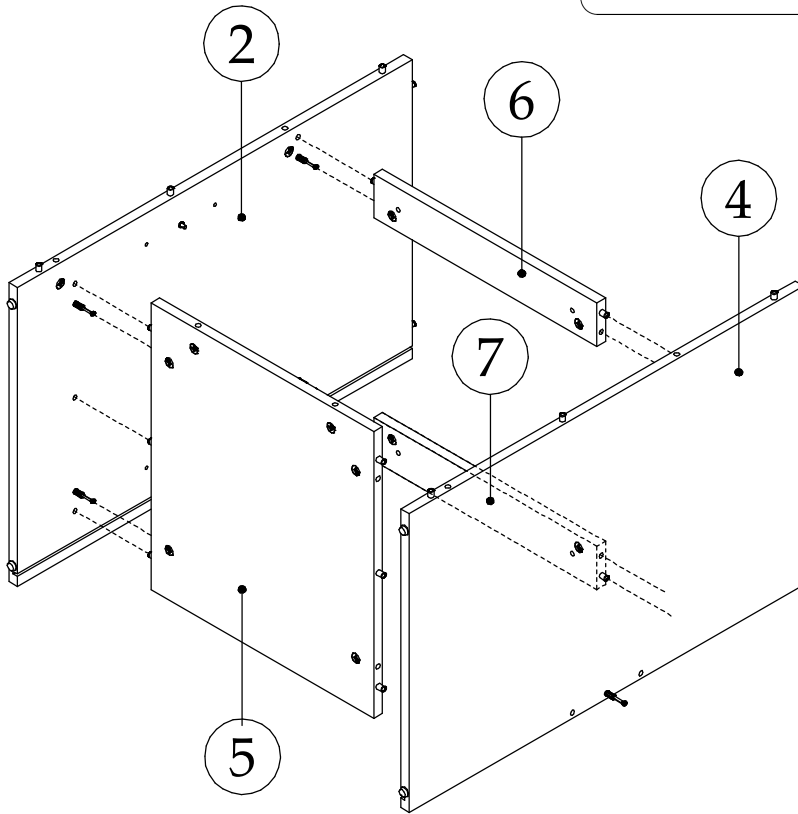
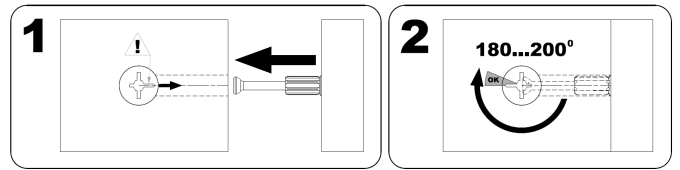
▶ 1



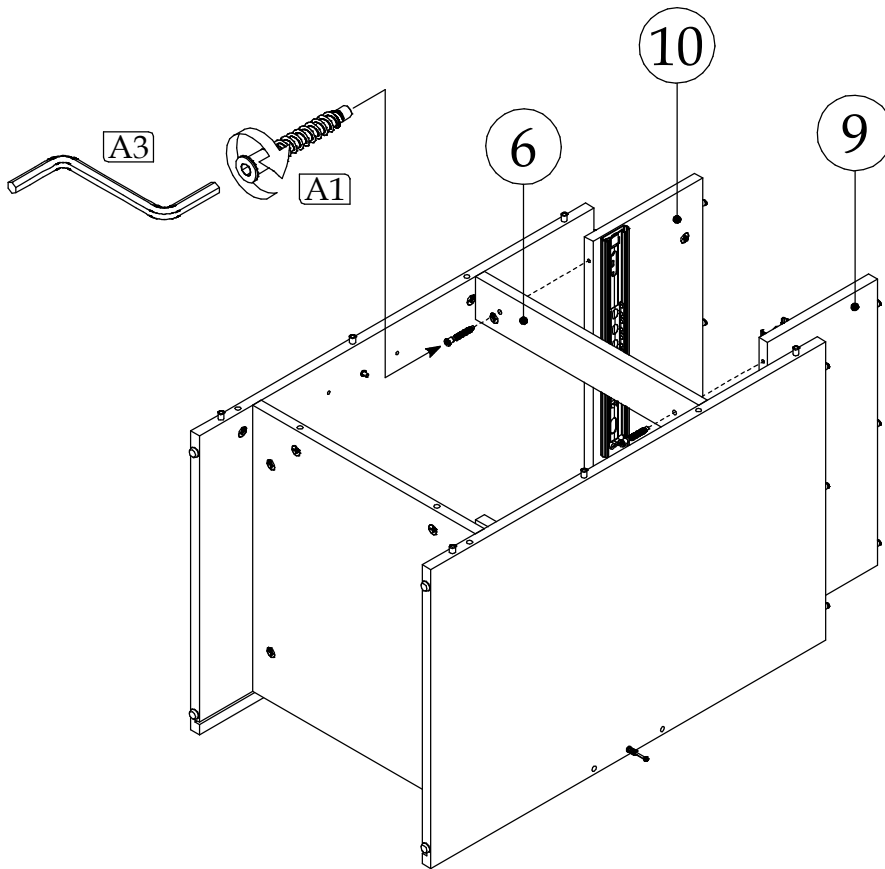
▶ 2



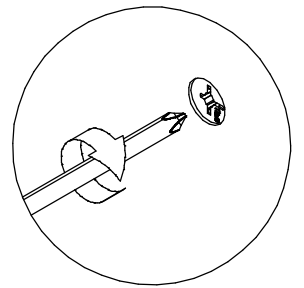
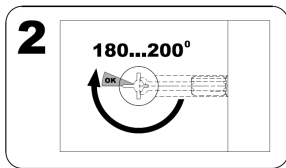
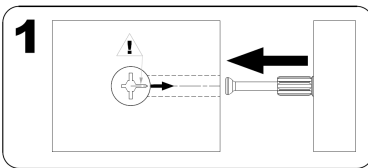
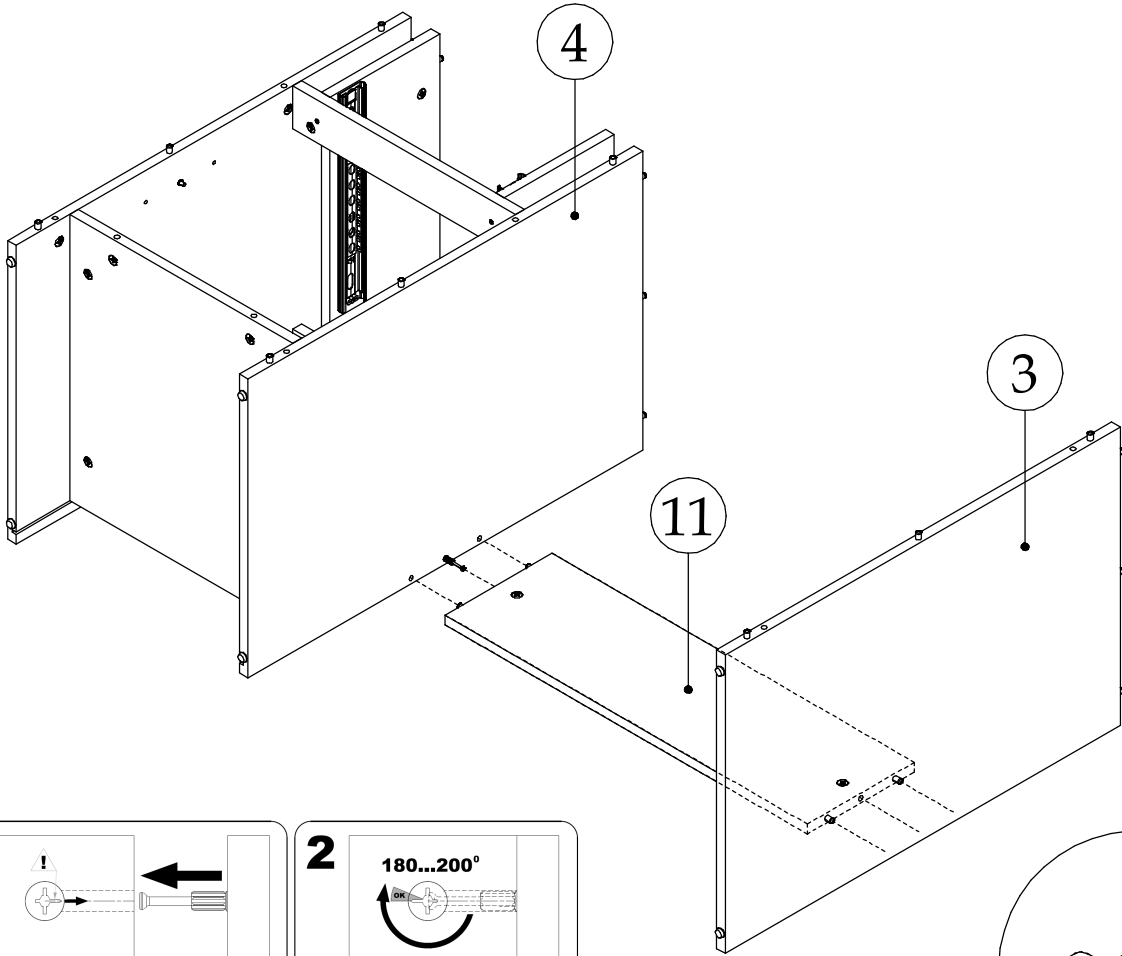
▶ 3



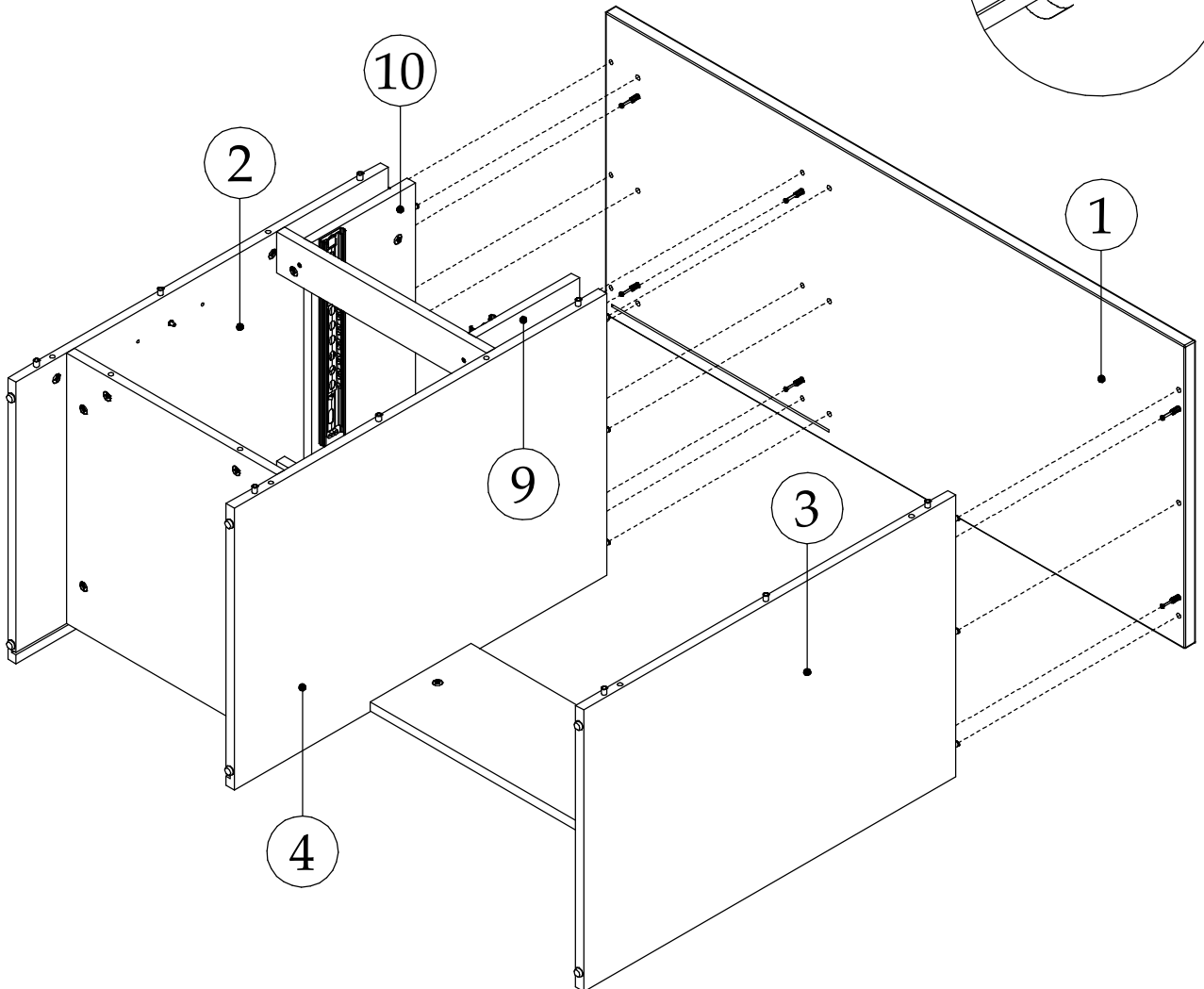
▶ 4



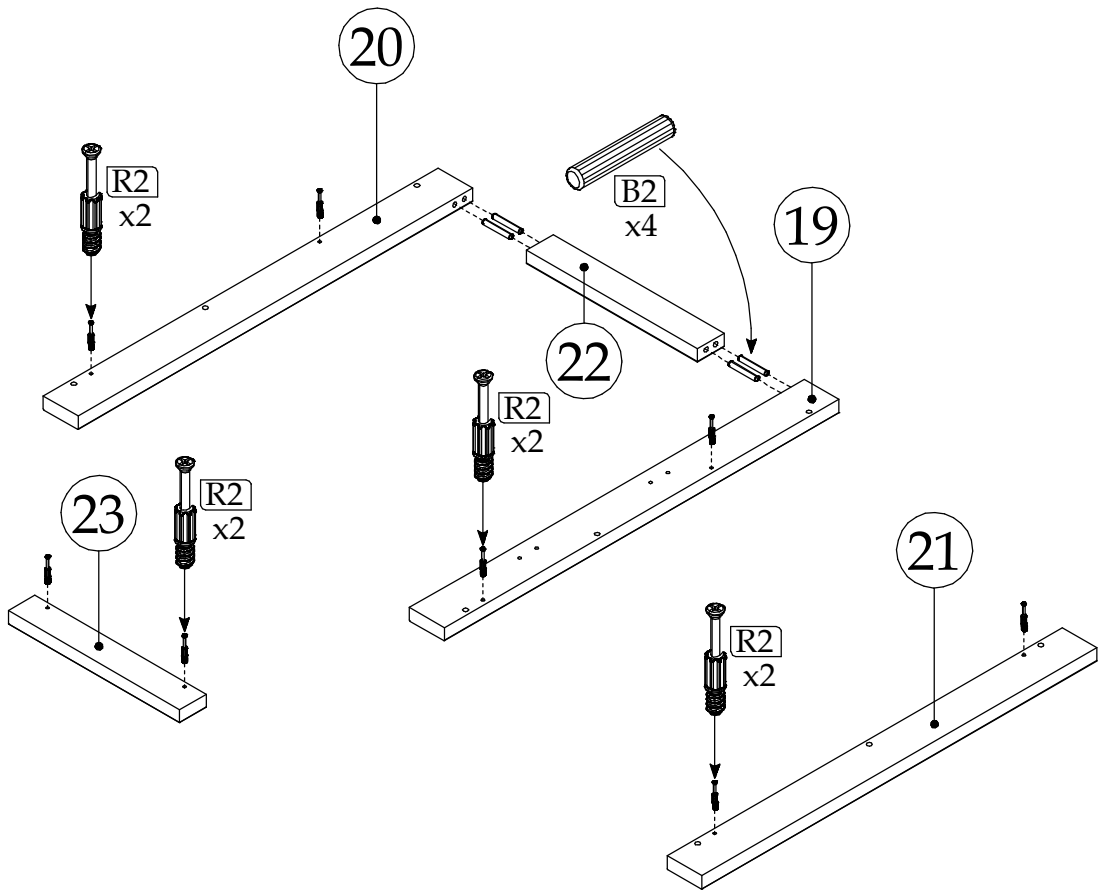
5



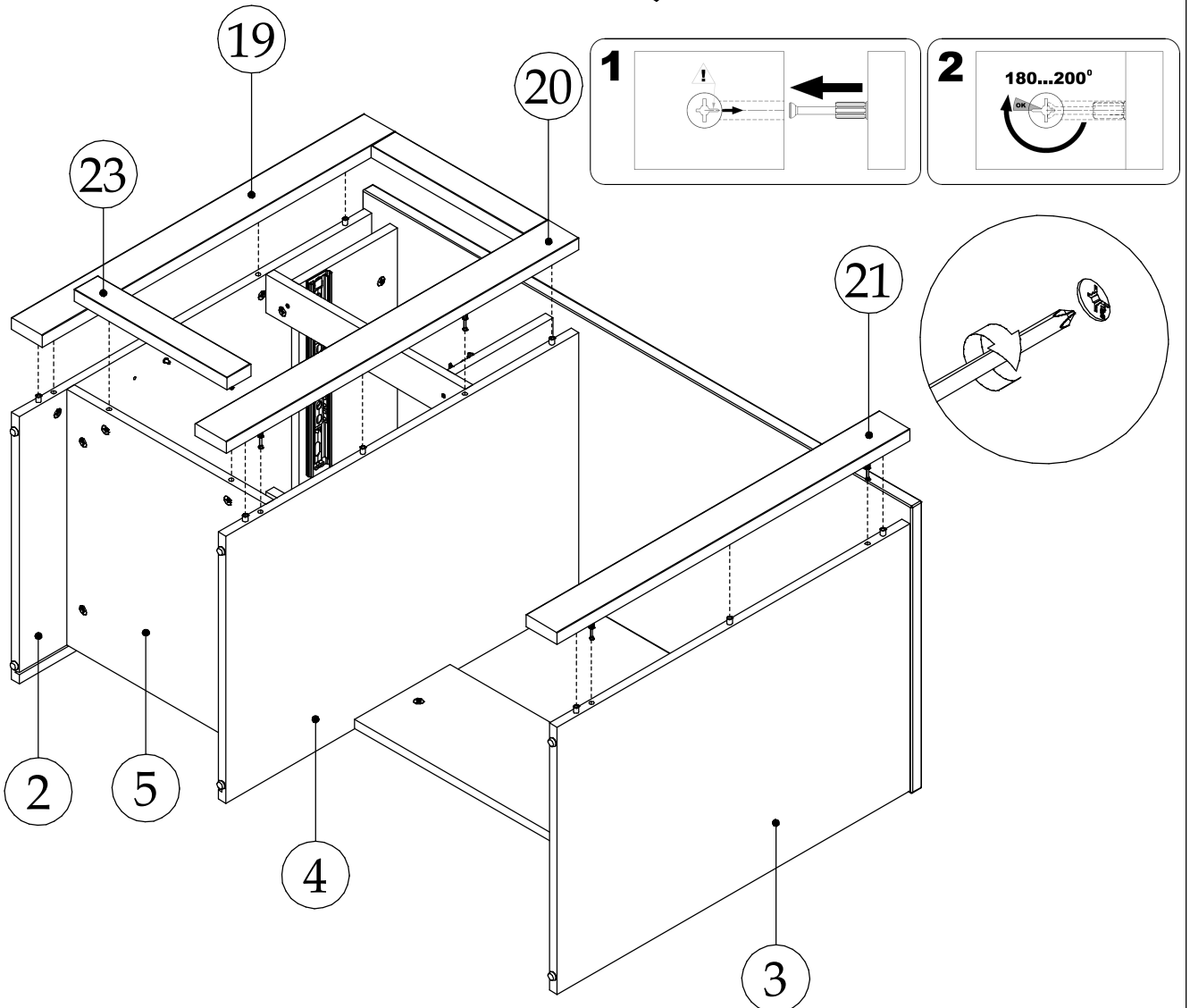
6



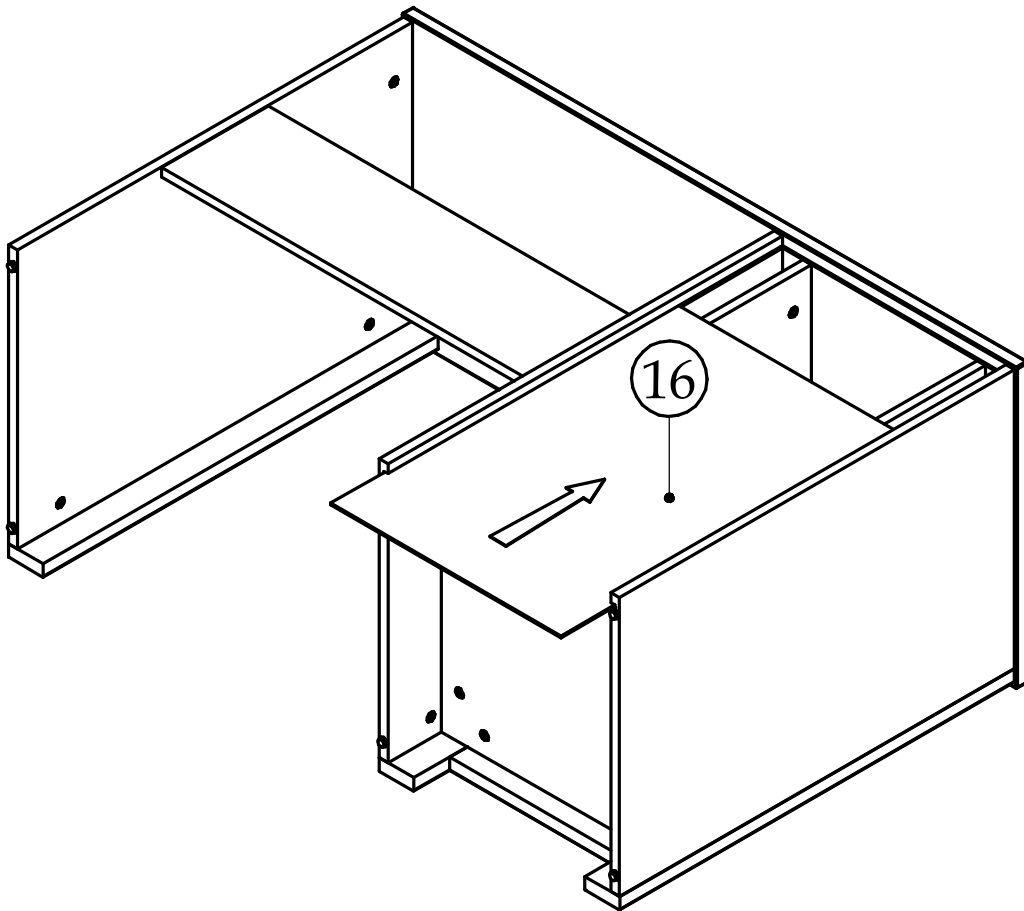
▶ 7



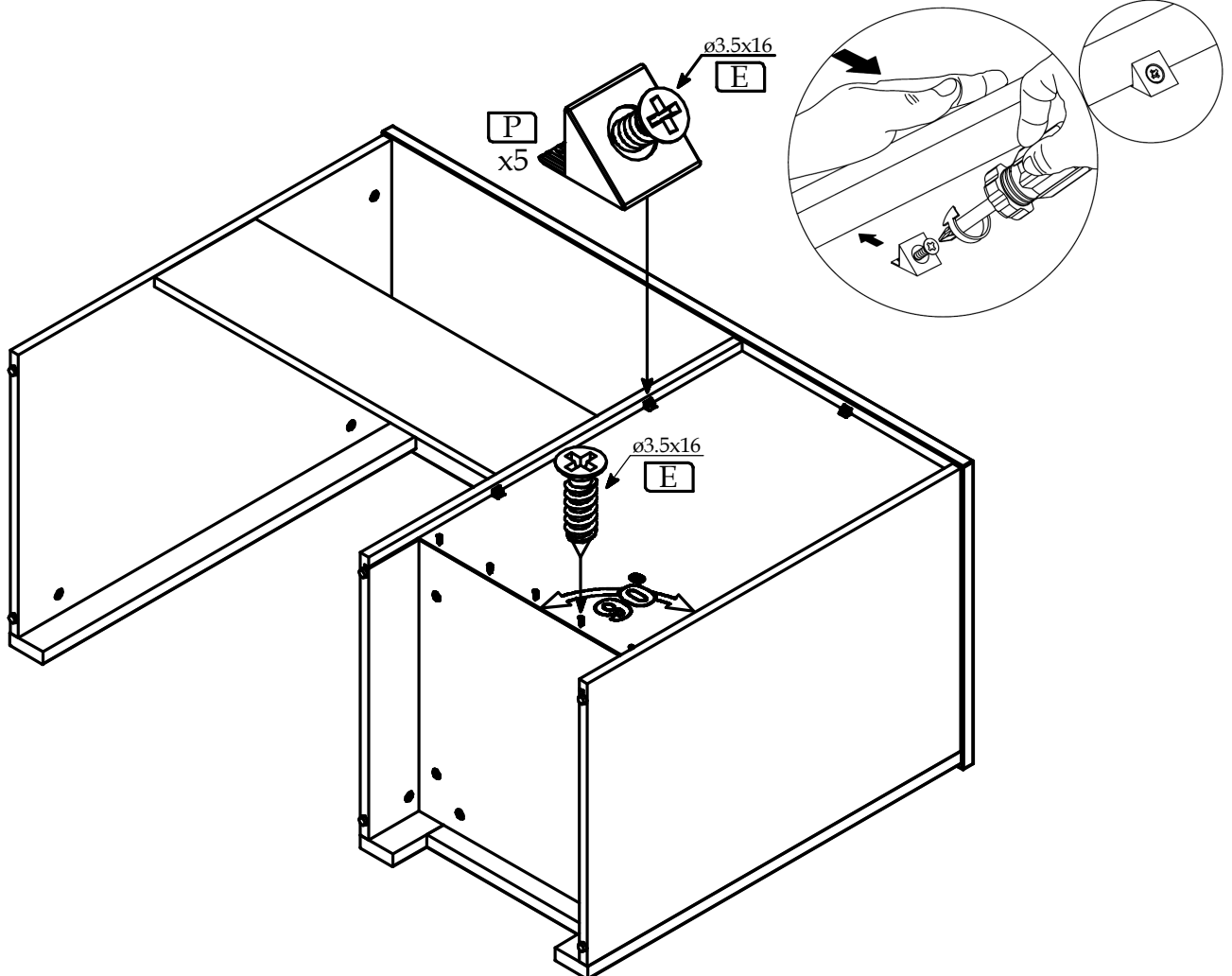
▶ 8



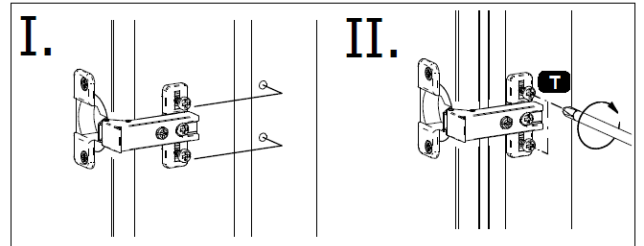
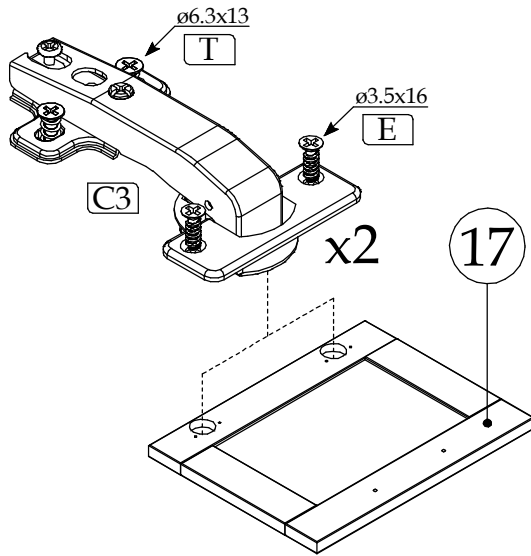
► 9



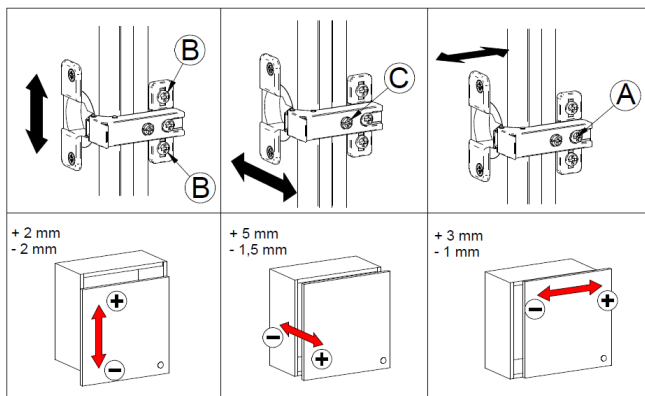
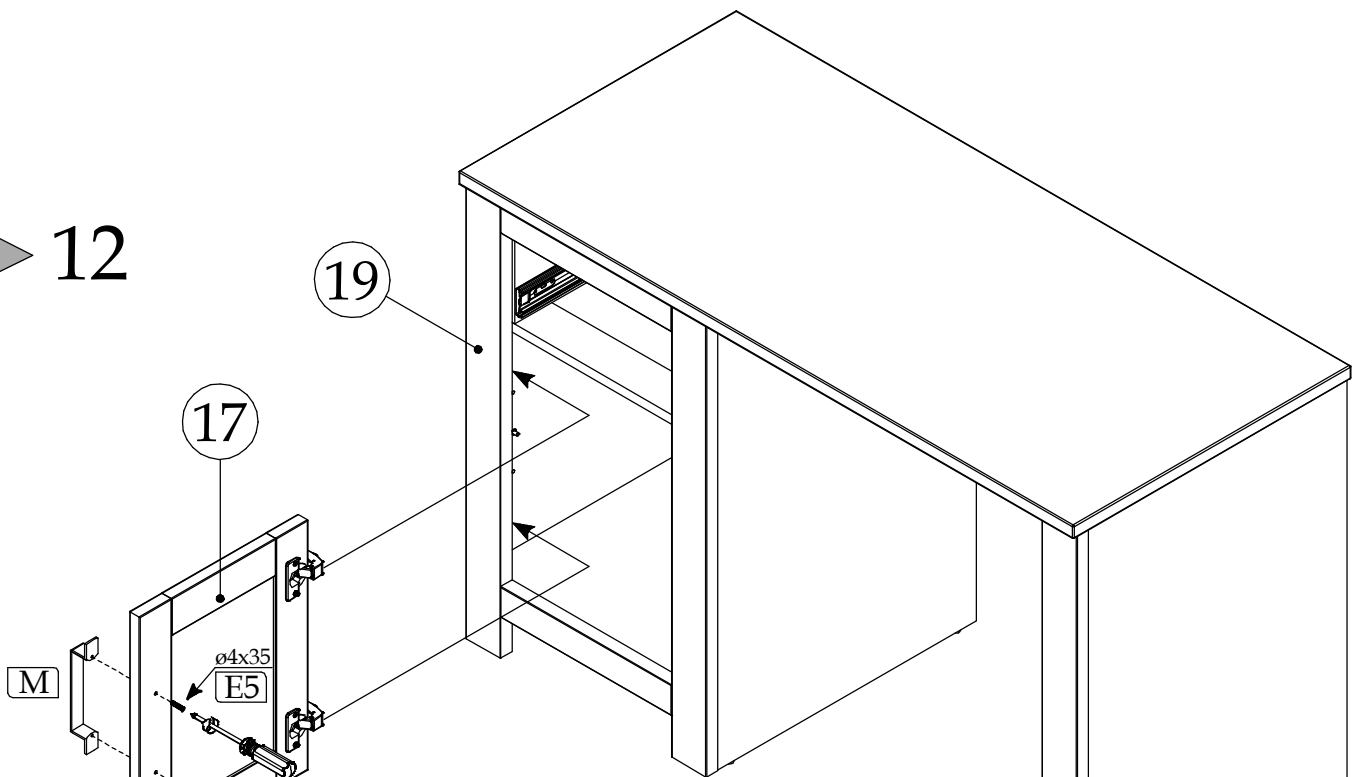
► 10



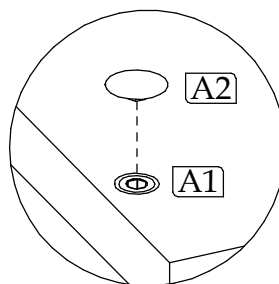
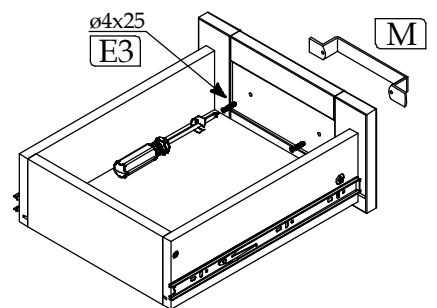
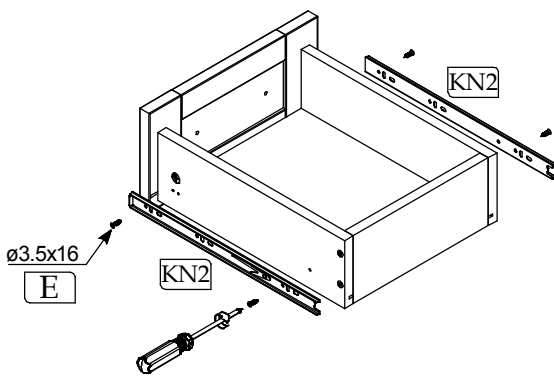
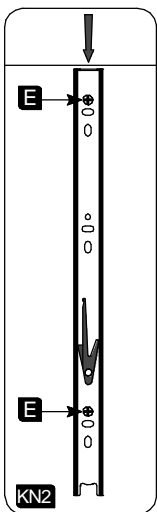
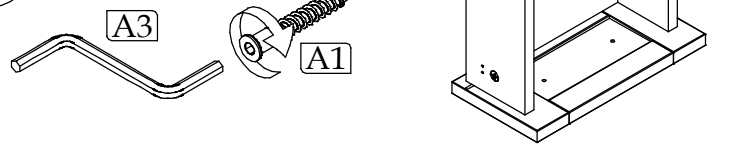
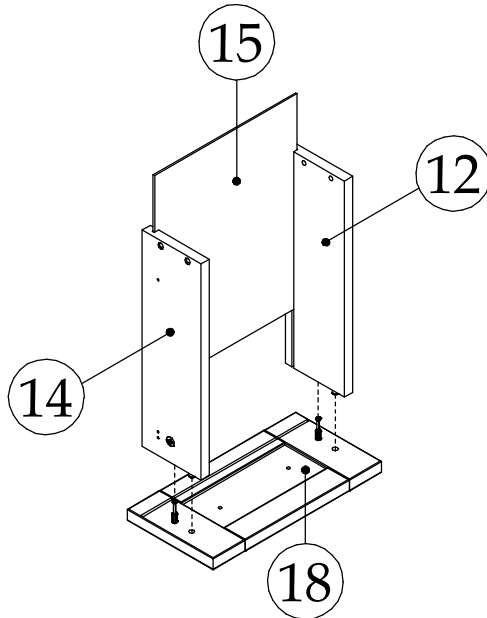
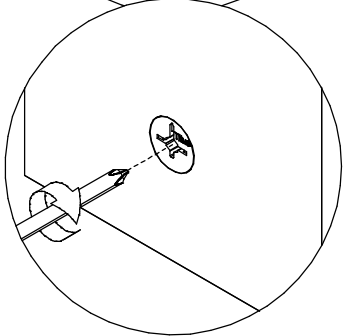
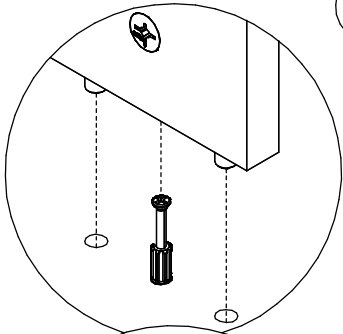
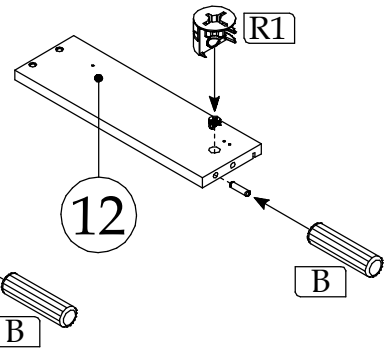
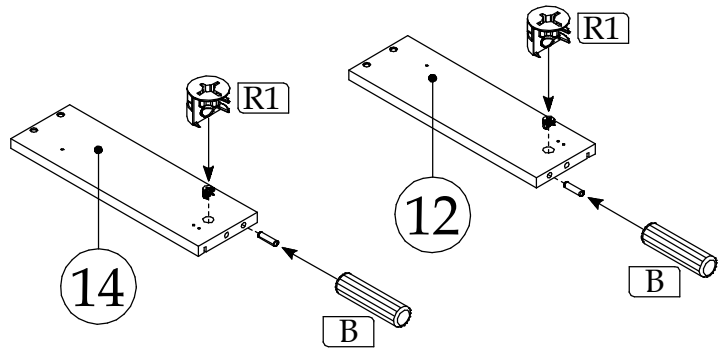
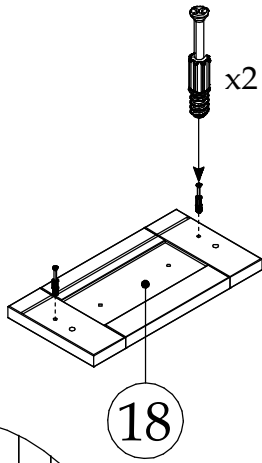
▶ 11



▶ 12



▶ 13



▶ 14
max. 3kg

