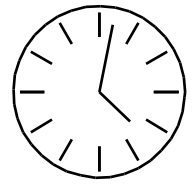
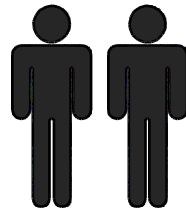
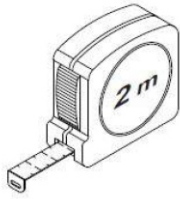
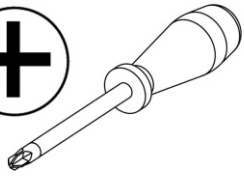
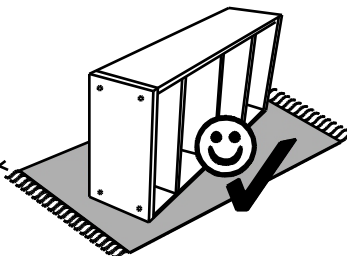
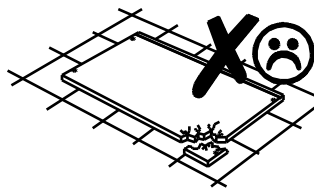
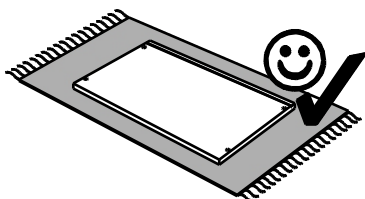
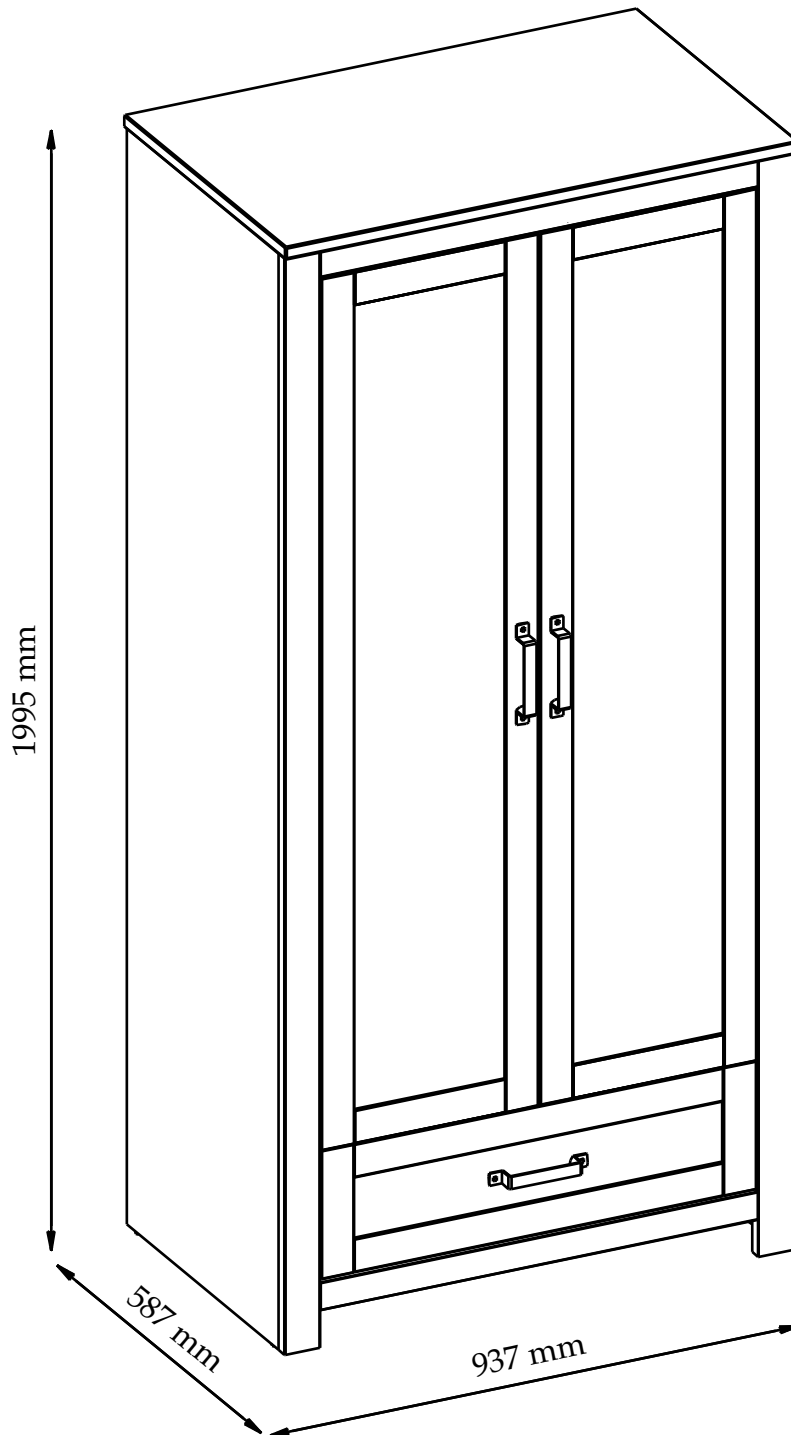
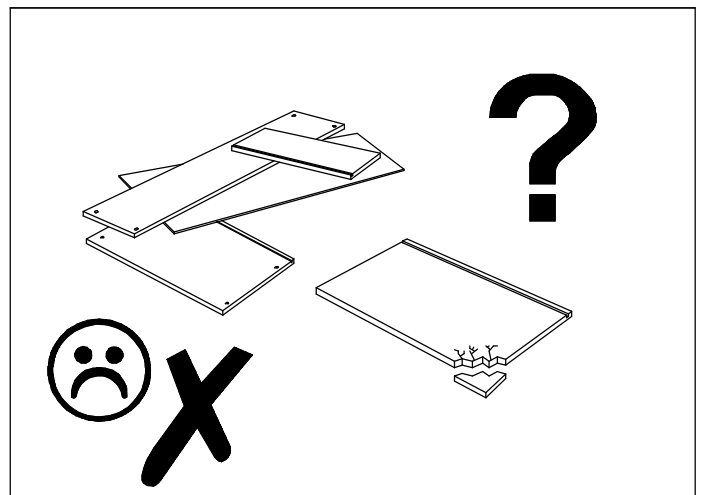
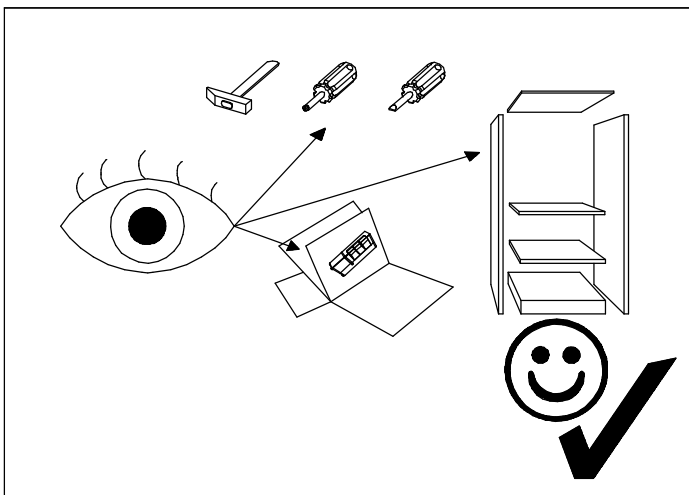
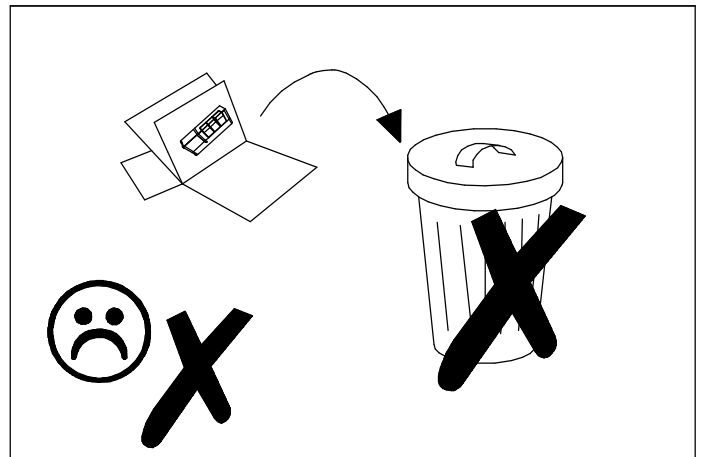
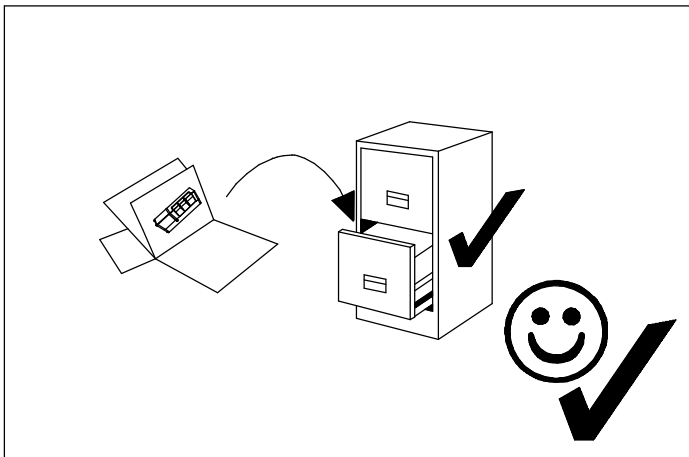
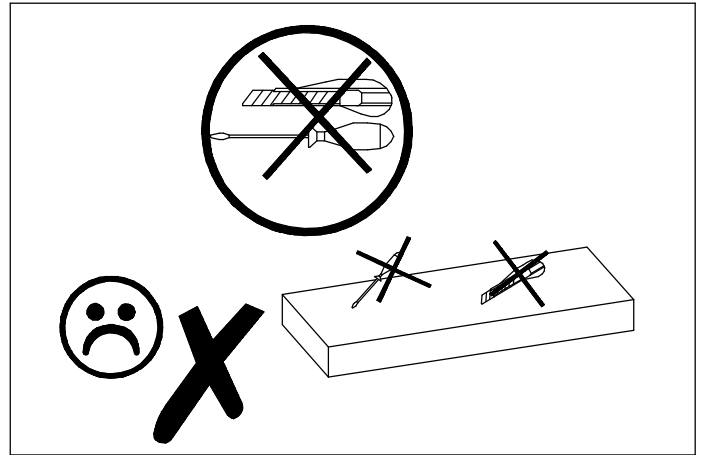
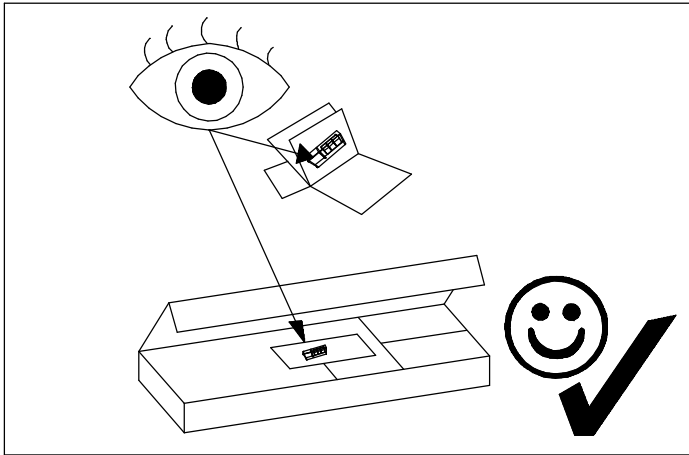


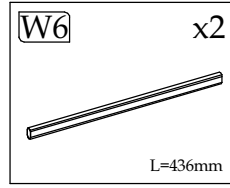
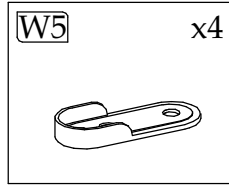
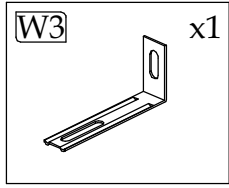
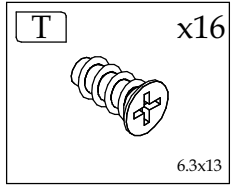
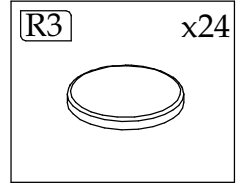
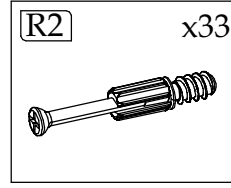
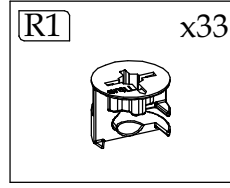
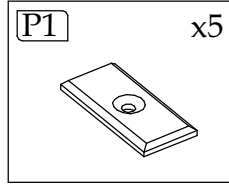
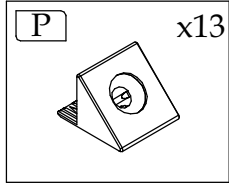
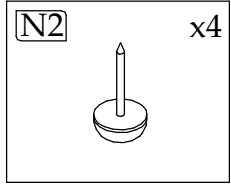
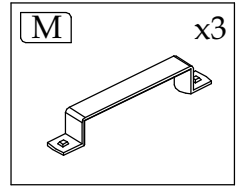
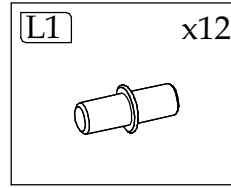
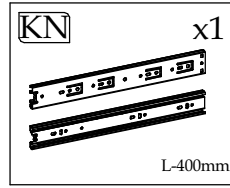
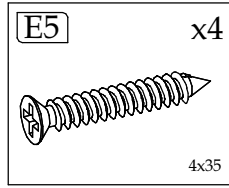
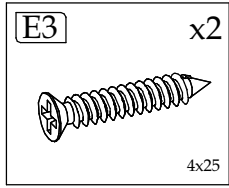
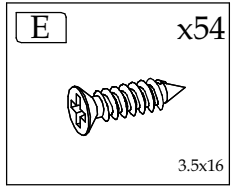
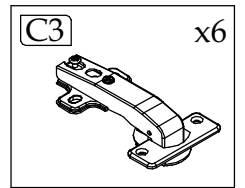
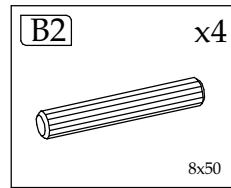
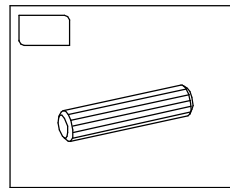
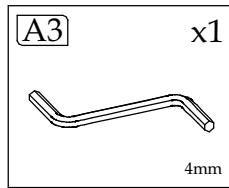
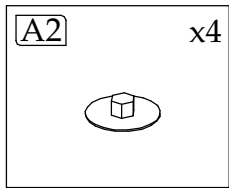
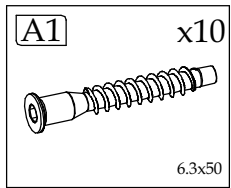
TEOLO 6



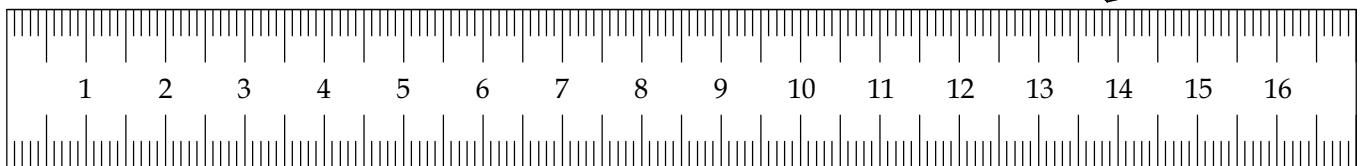
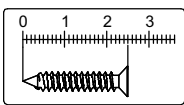
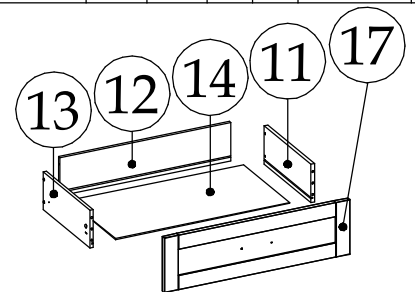
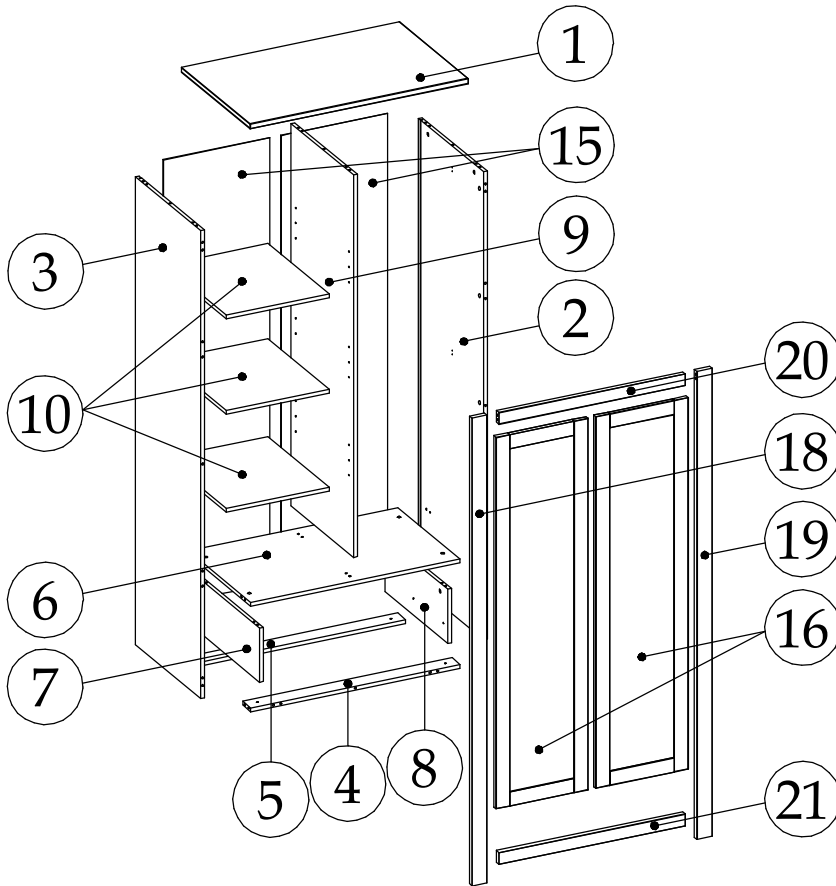
120 min

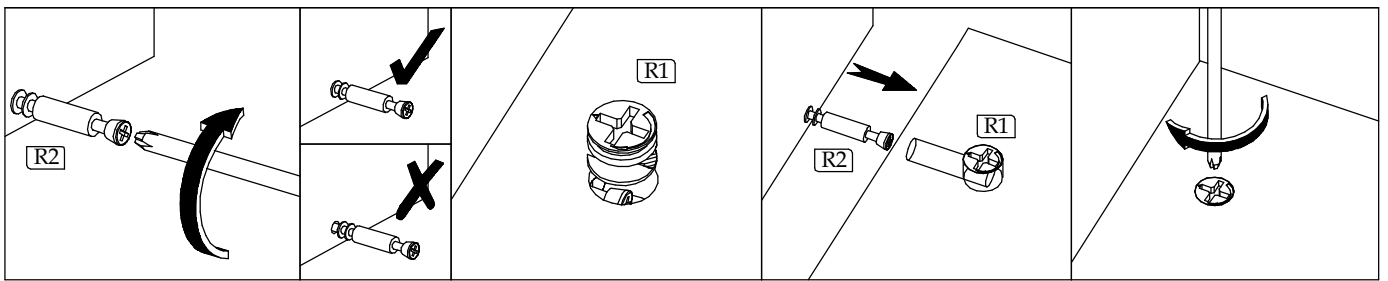




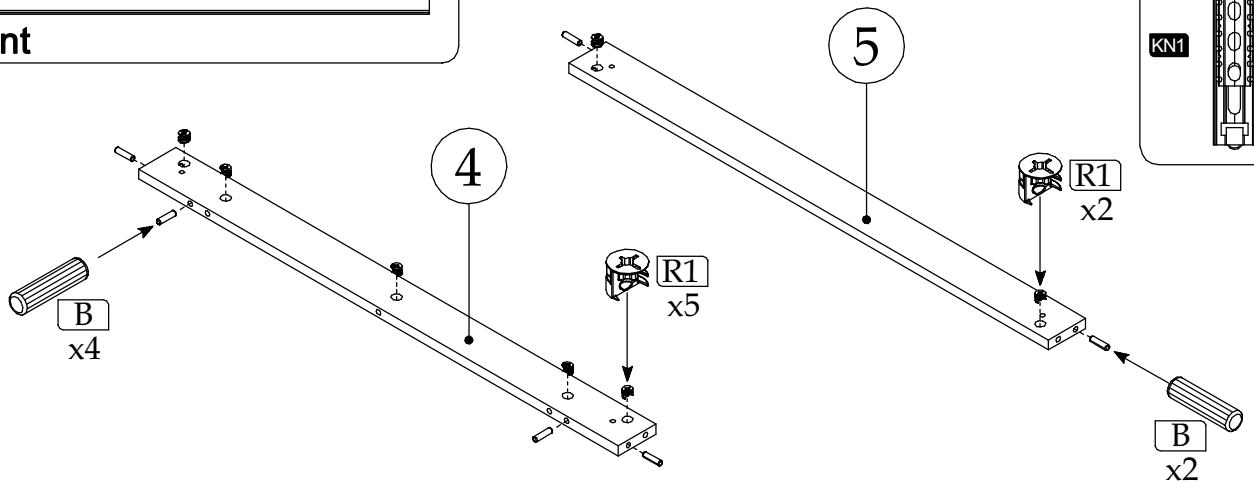
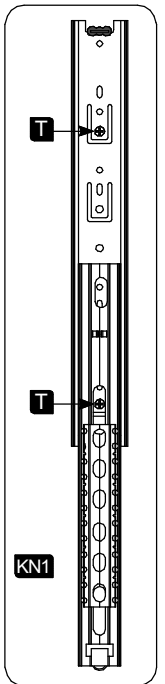
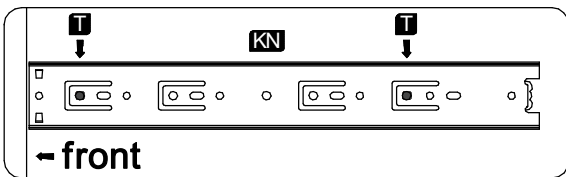
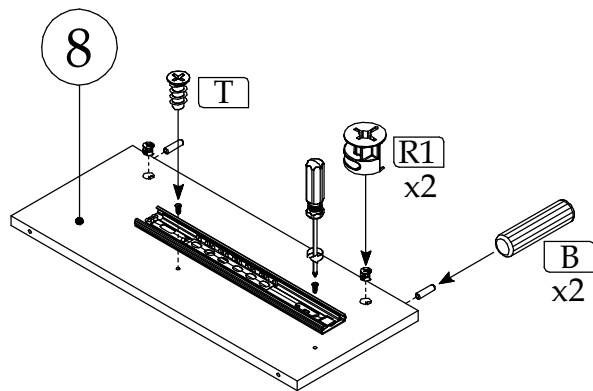
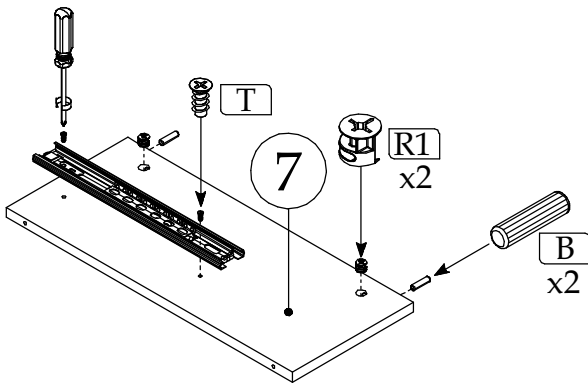
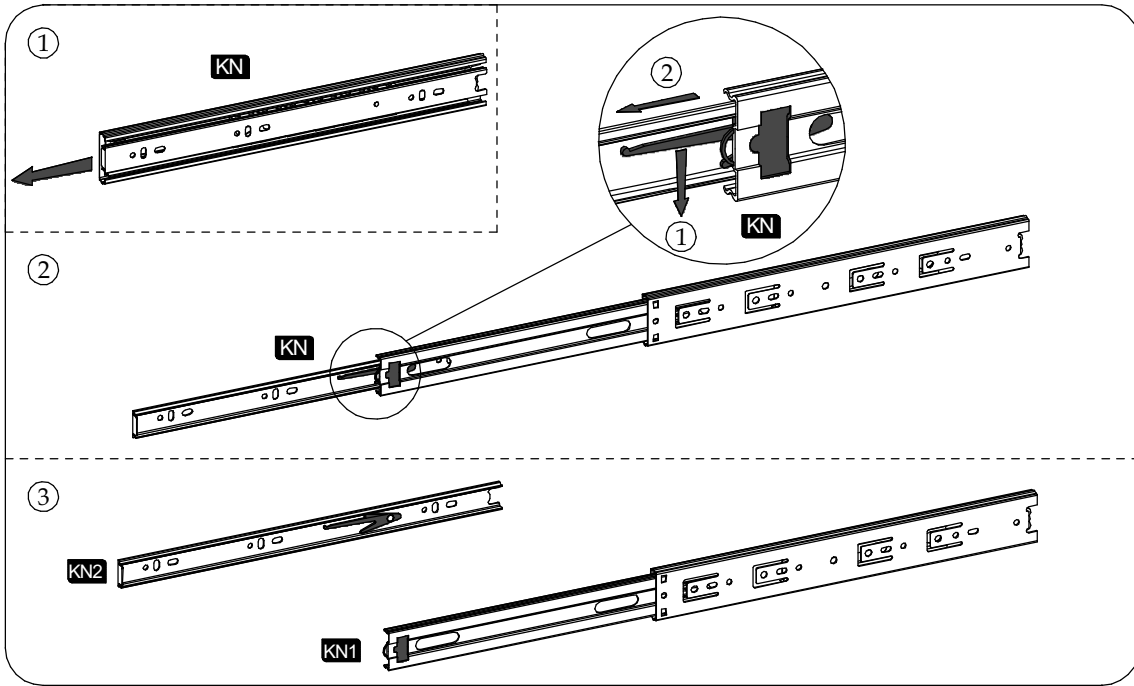


Element symbol	Measurements				Code	Paket
	1	2	3	4		
1	937	587	22	1	1002	
2	1968	555	16	1	1003	
3	1968	555	16	1	1004	
4	897	70	16	1	1005	
5	897	70	16	1	1025	
6	897	535	16	1	1007	
7	534.5	227	16	1	1026	
8	534.5	227	16	1	1027	
9	1609	534.5	16	1	1009	
10	440	520	16	3	N/A	
11	400	160	16	1	1029	
12	732.5	160	16	1	1030	
13	400	160	16	1	1031	
14	746.5	396	3	1	N/A	
15	1875	910	3	1	N/A	
16	1563	396	19	2	3001	
17	795	230	19	1	3002	
18	1968	65	22	1	3003	
19	1968	65	22	1	3004	
20	800	50	22	1	3005	
21	800	50	22	1	3006	

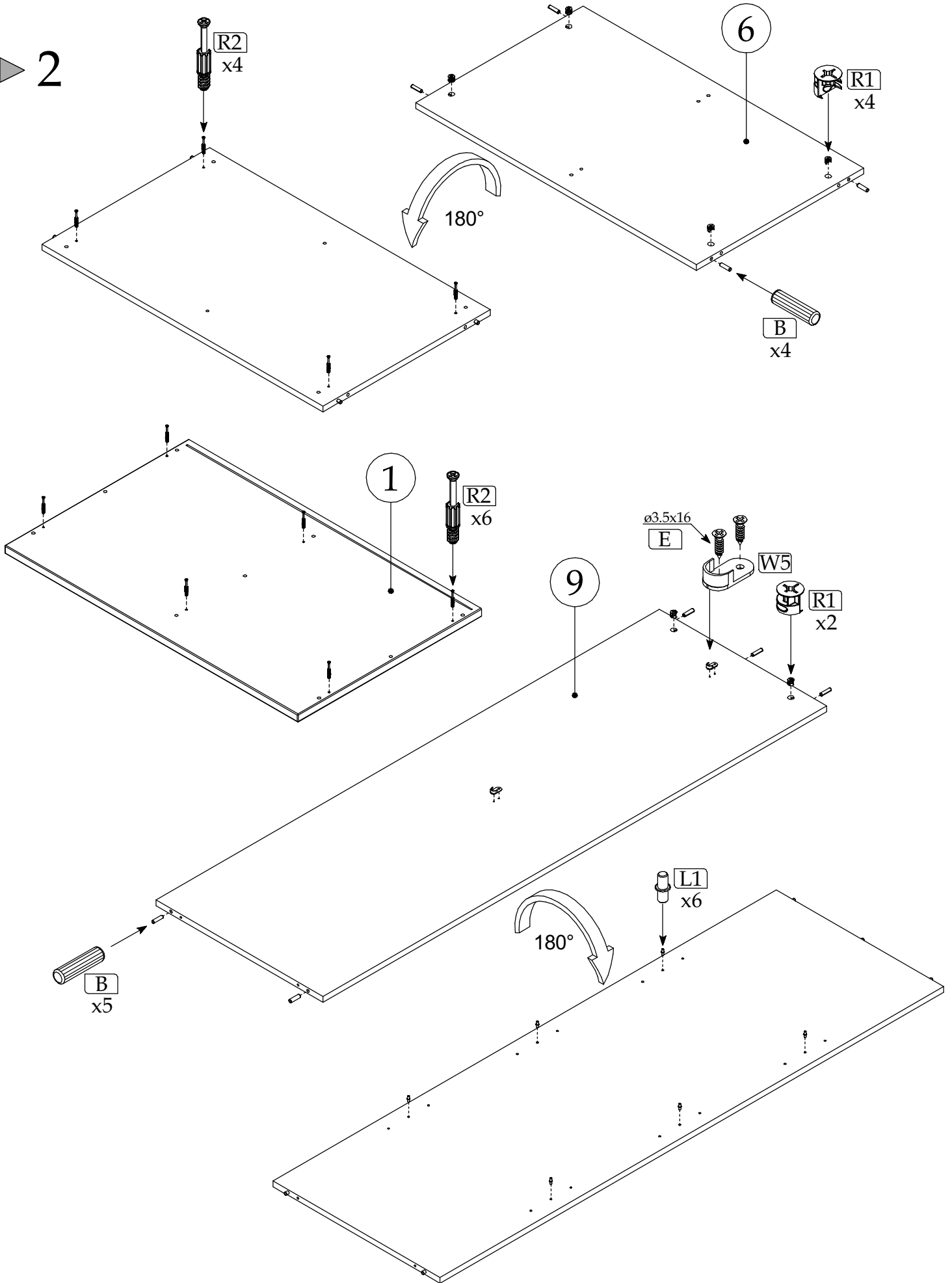




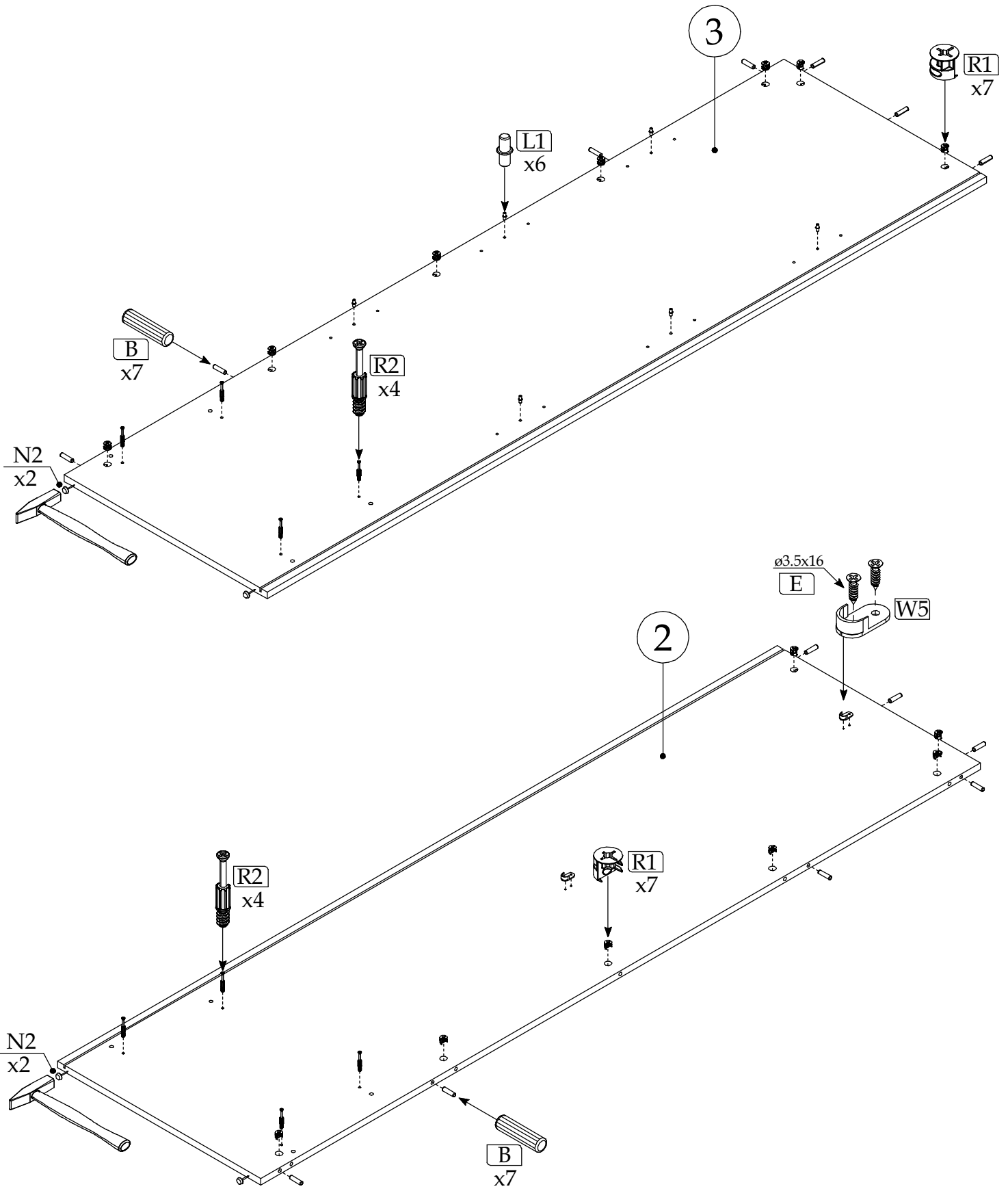
▶ 1



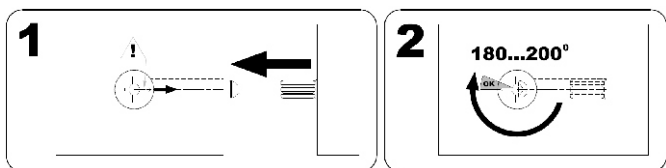
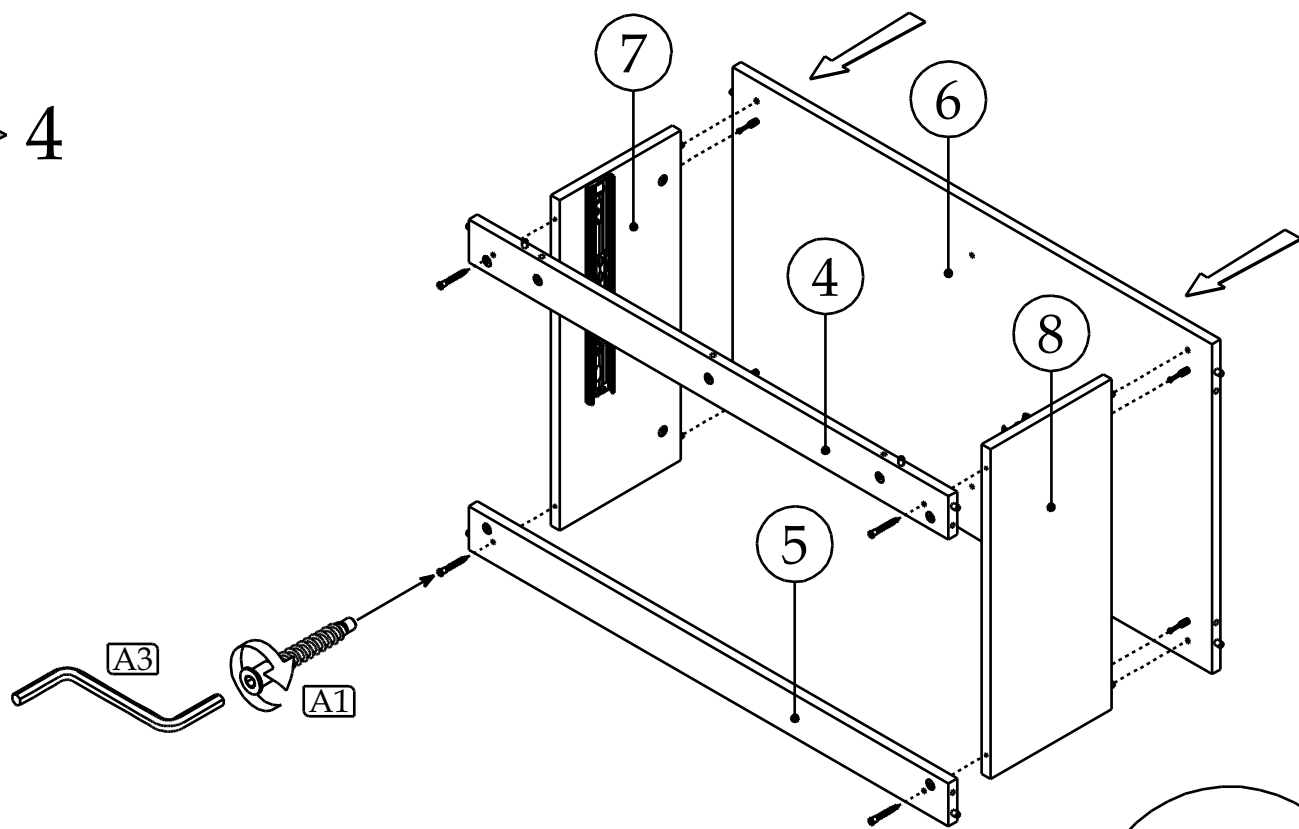
▶ 2



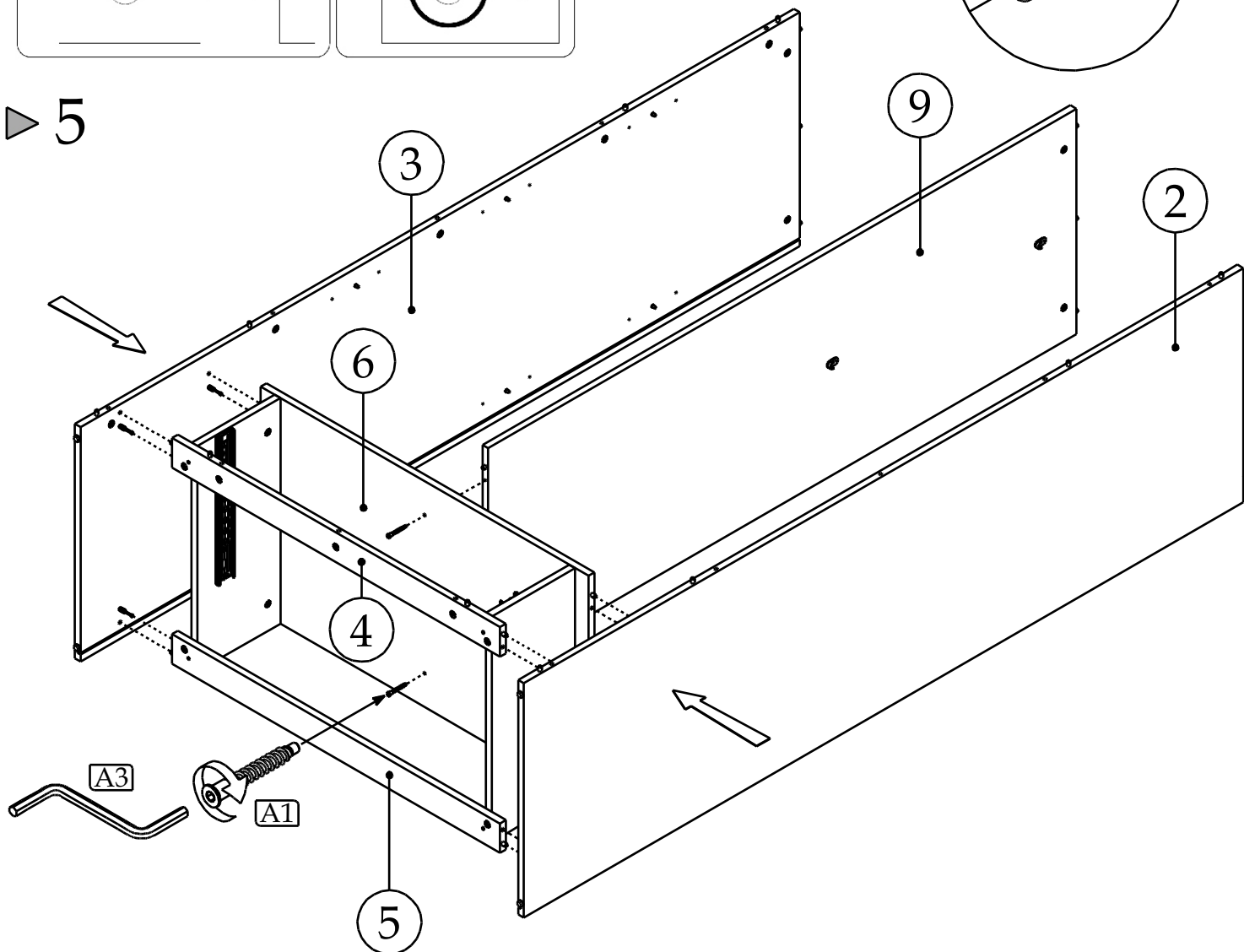
▶ 3



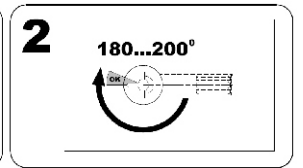
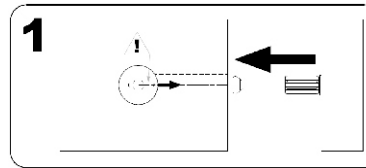
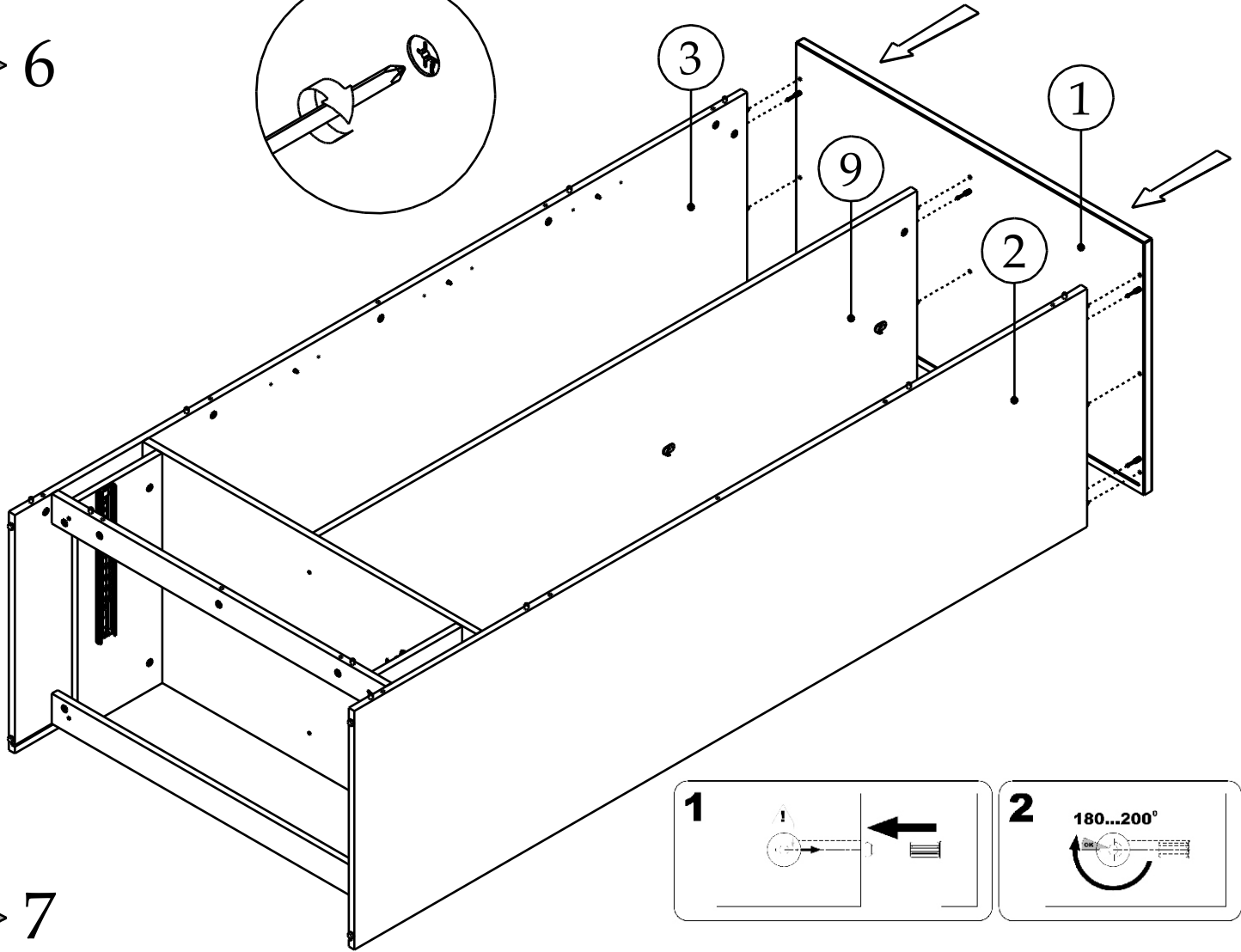
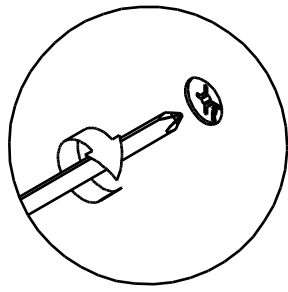
▶ 4



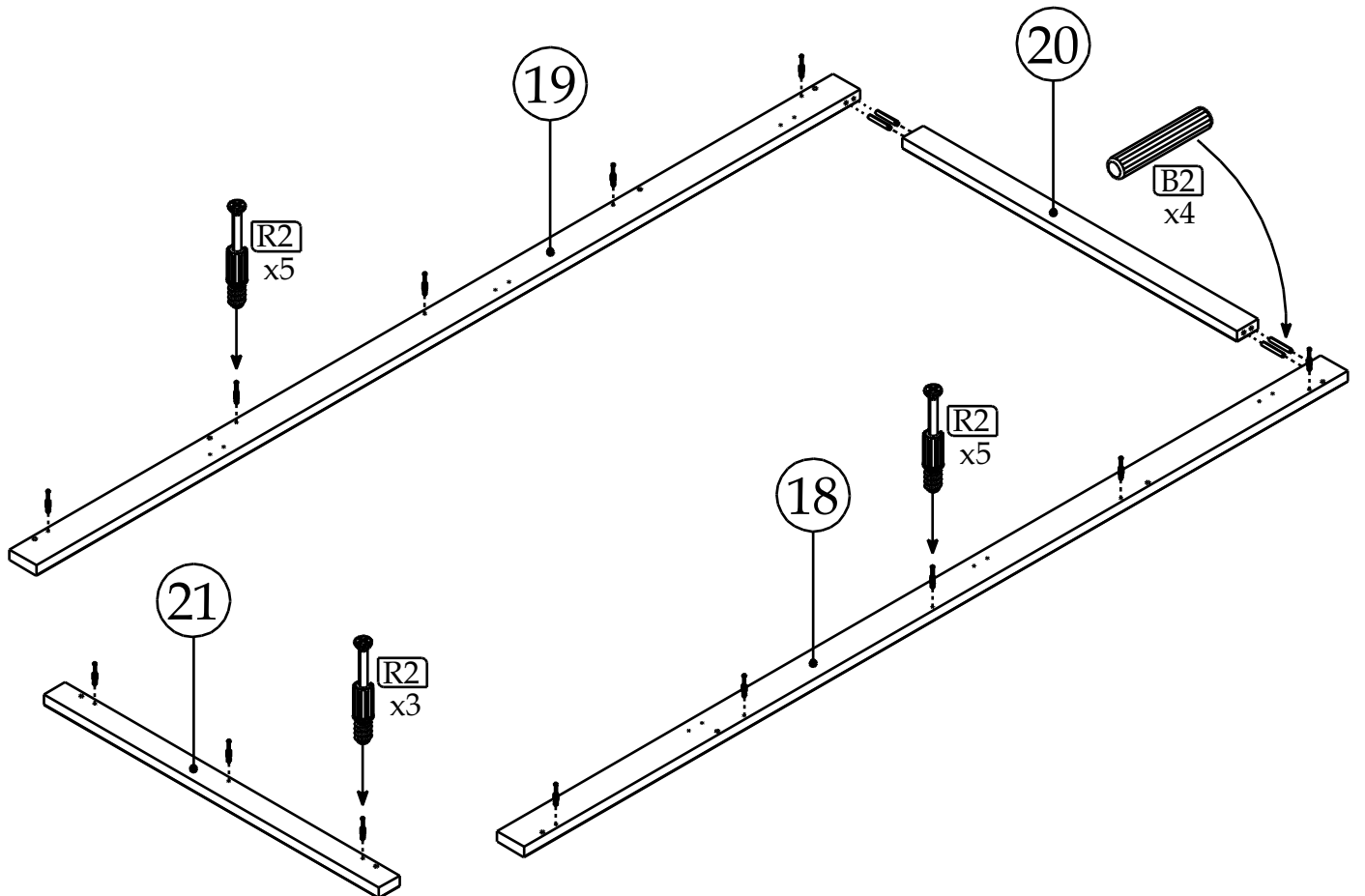
▶ 5



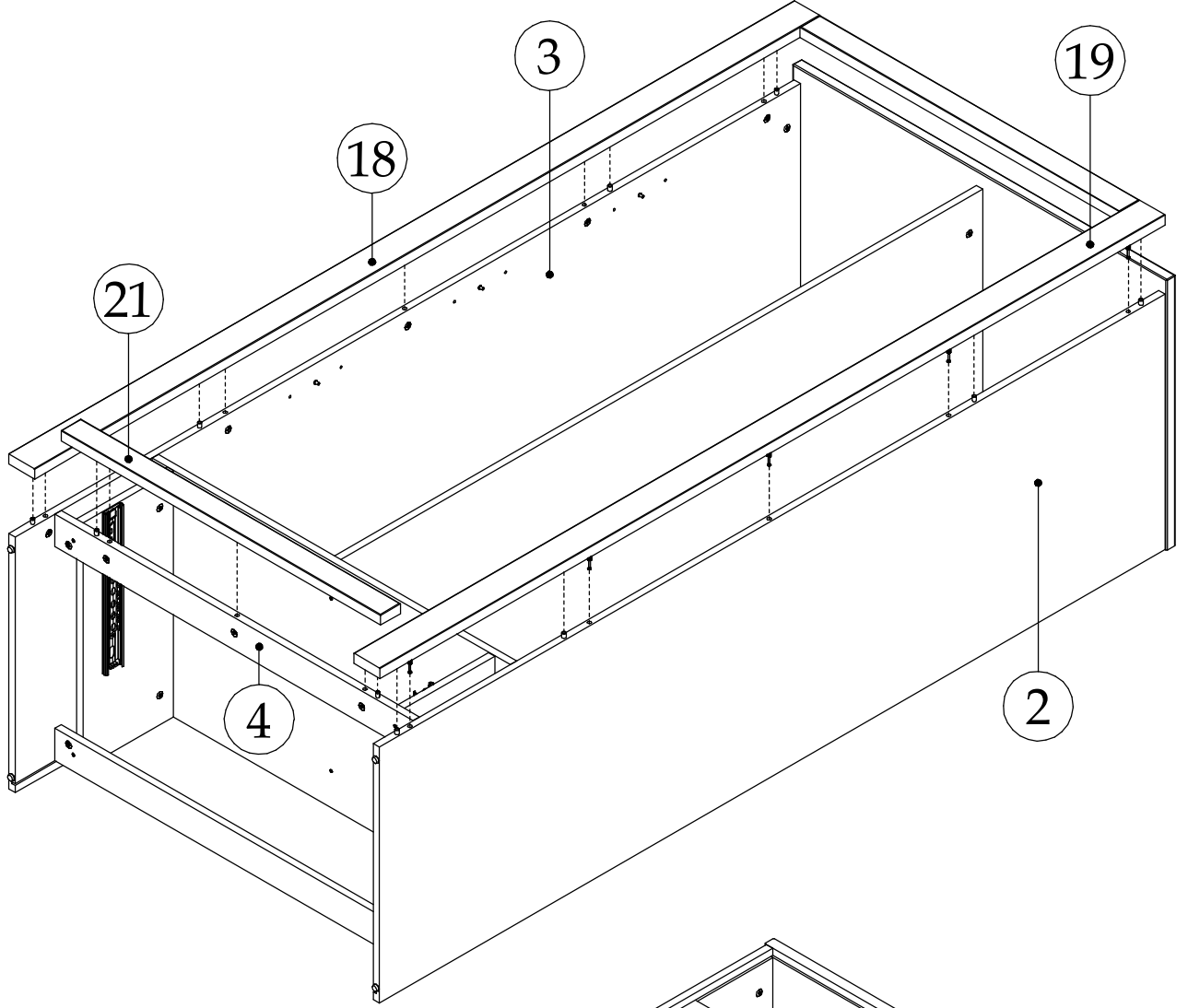
▶ 6



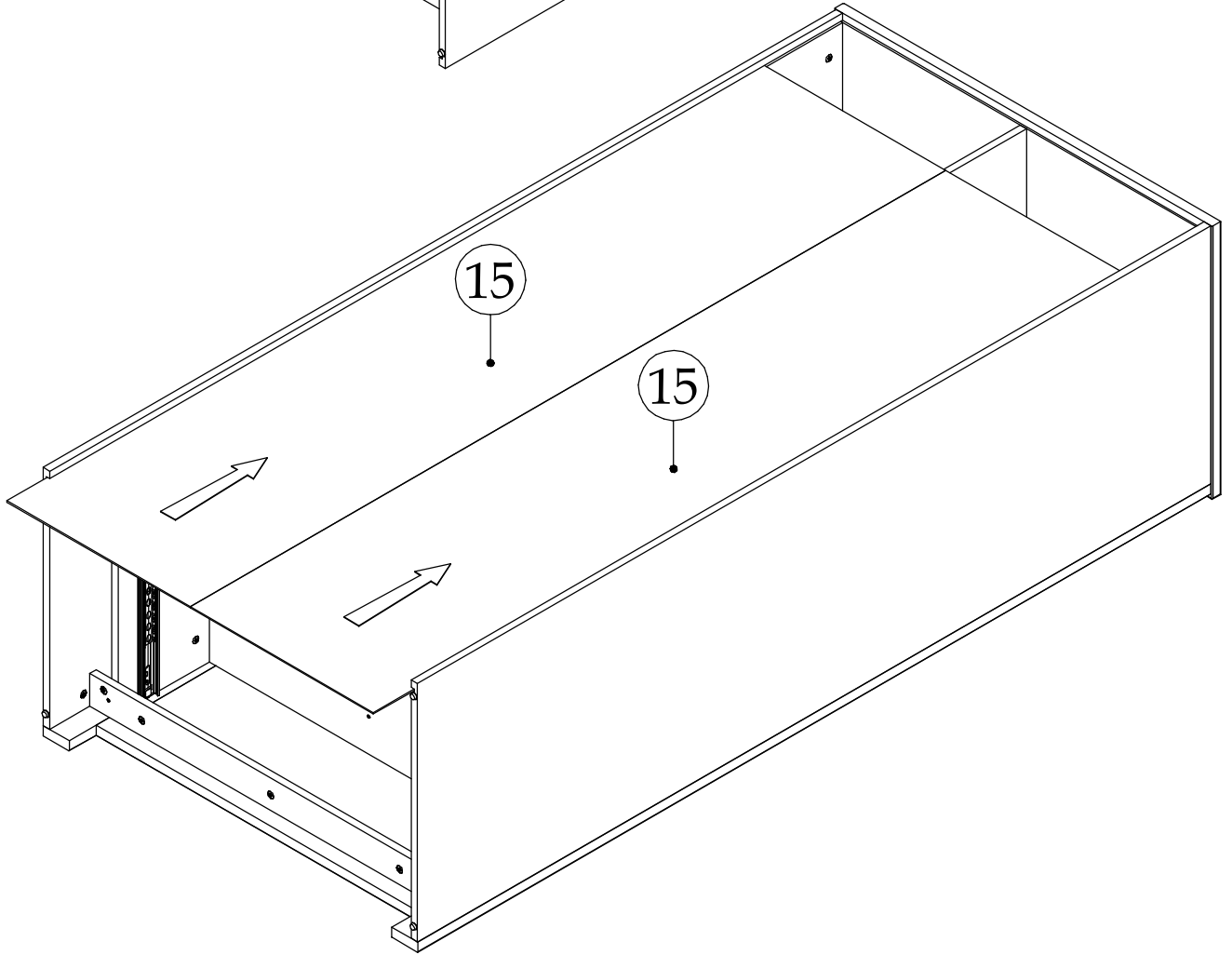
▶ 7



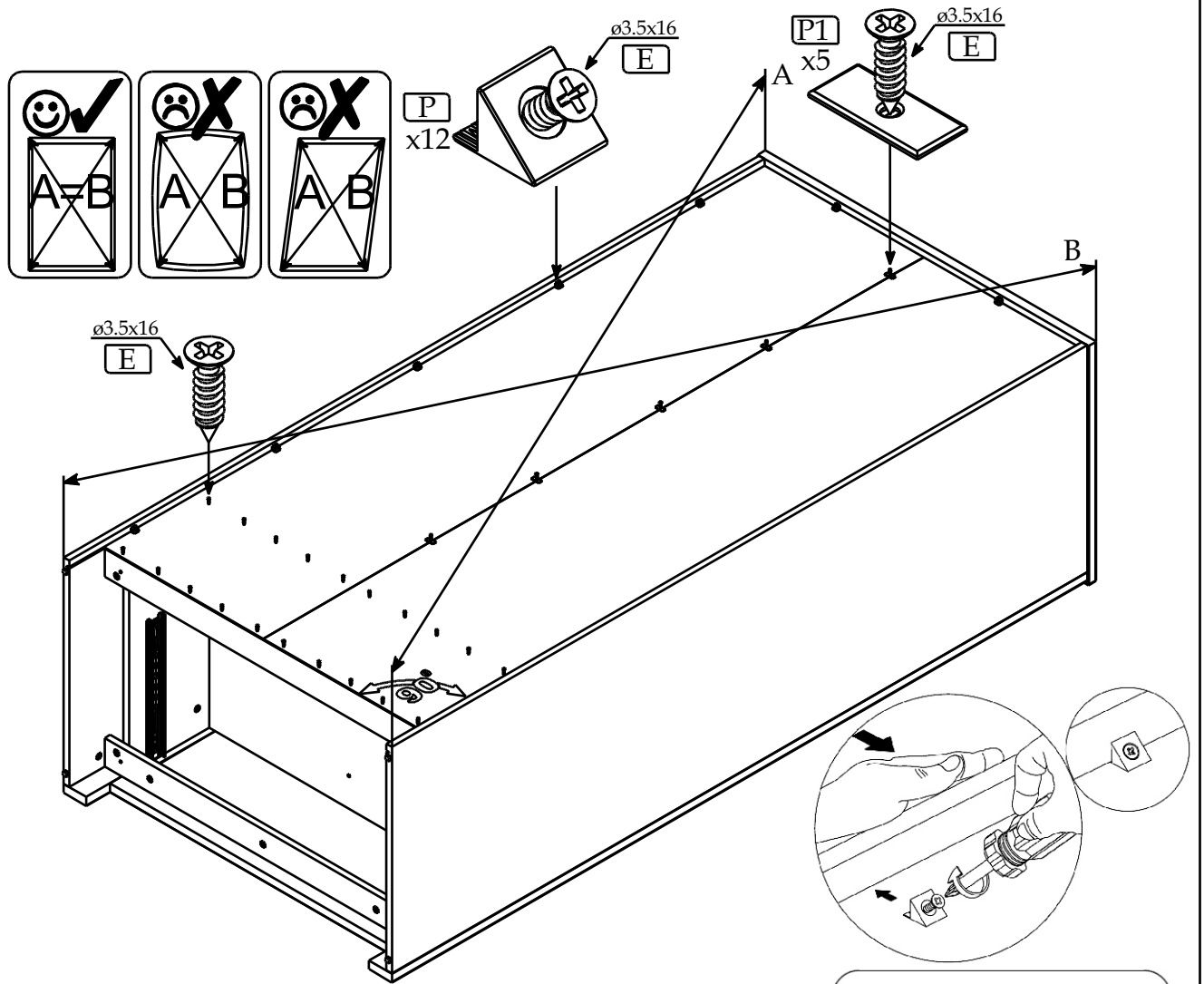
▶ 8



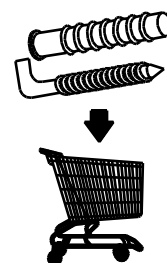
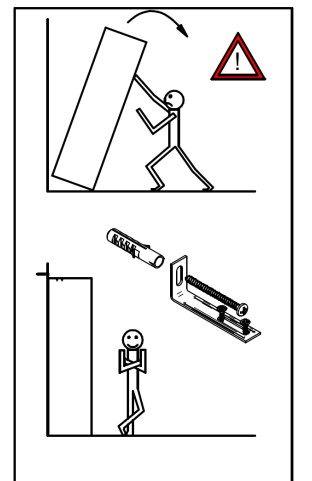
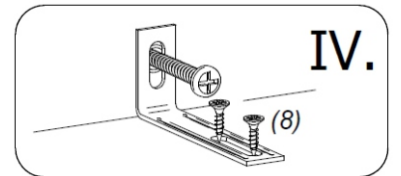
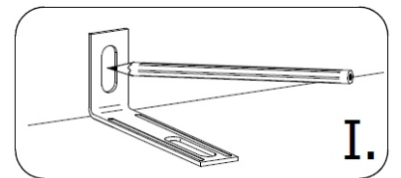
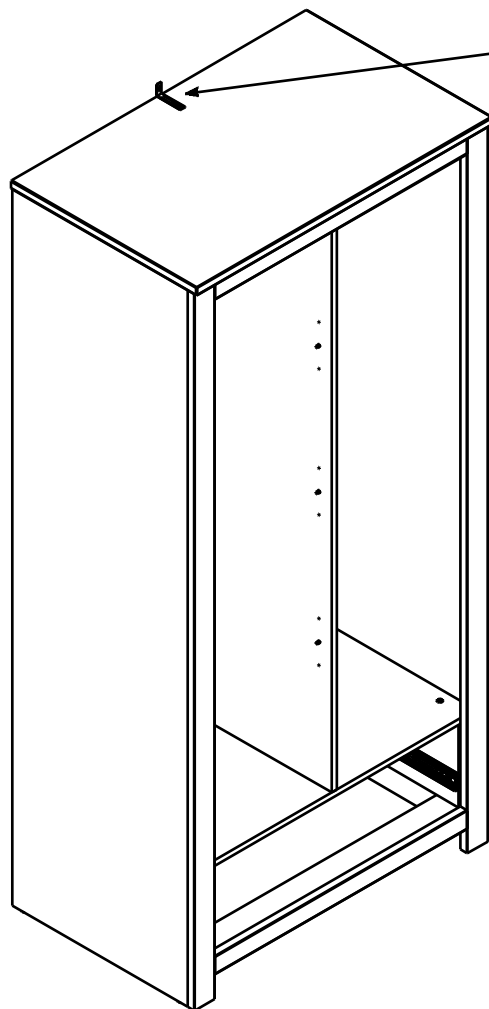
▶ 9



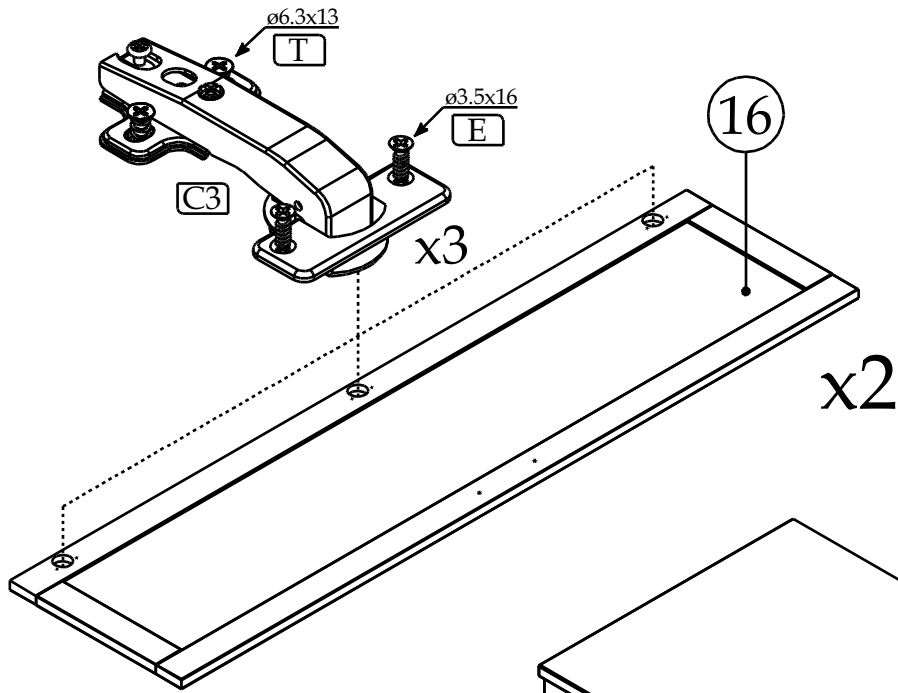
▶ 10



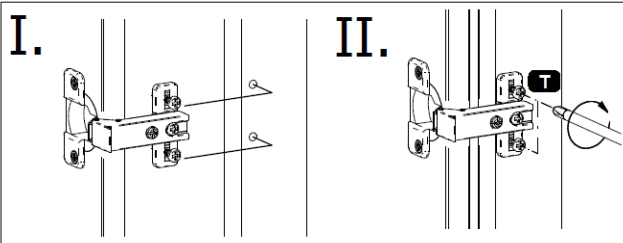
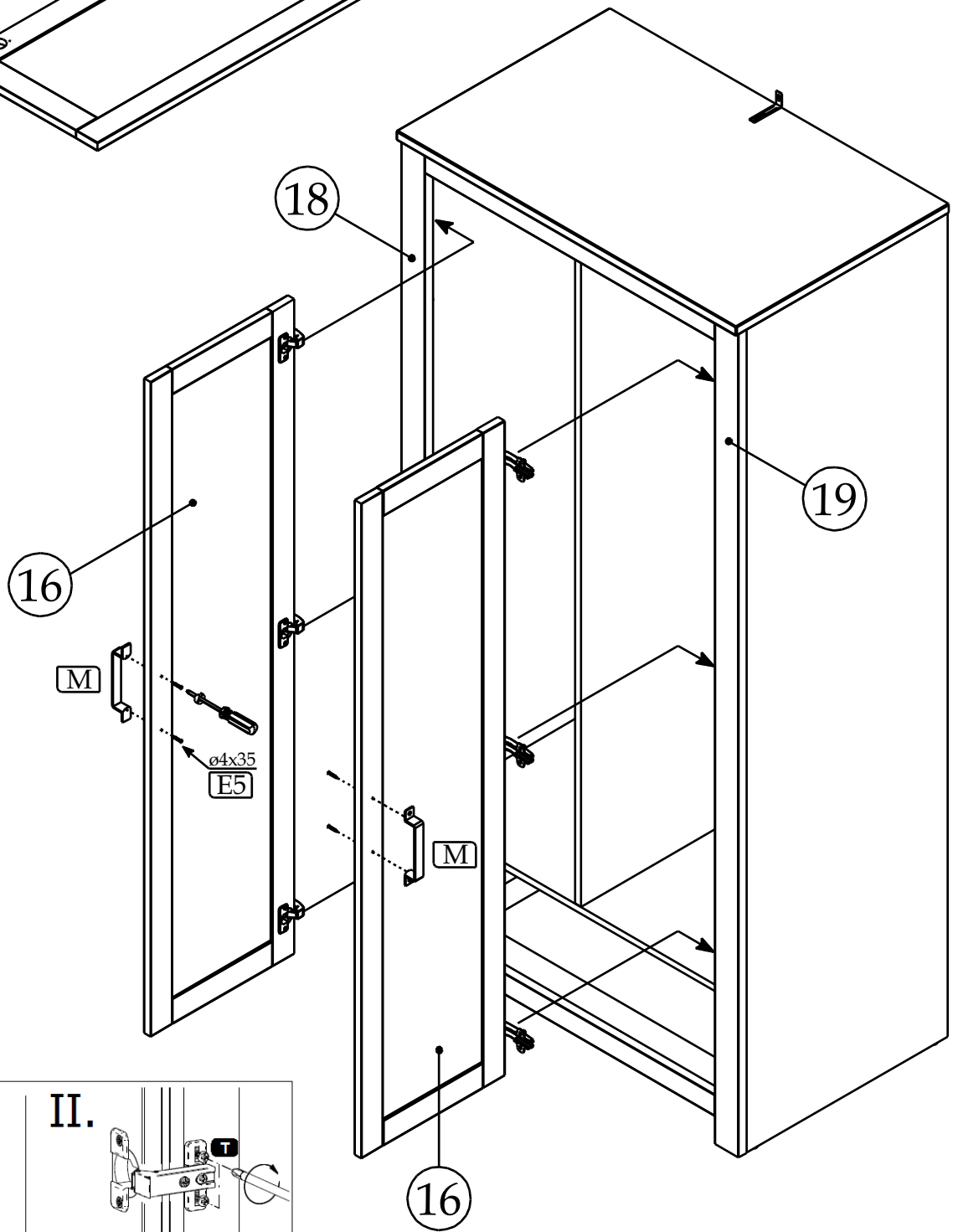
▶ 11



► 12



► 13



► 15

