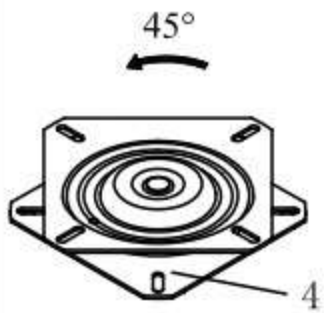
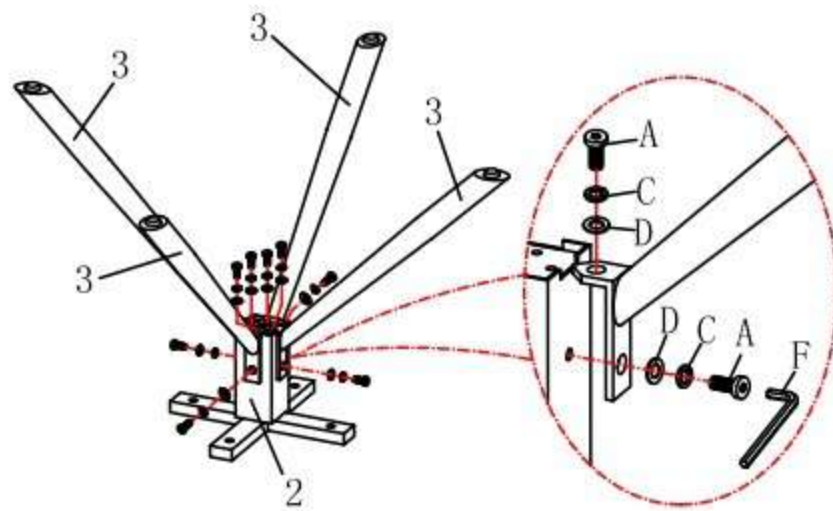


ASSEMBLY INSTRUCTION TONIR

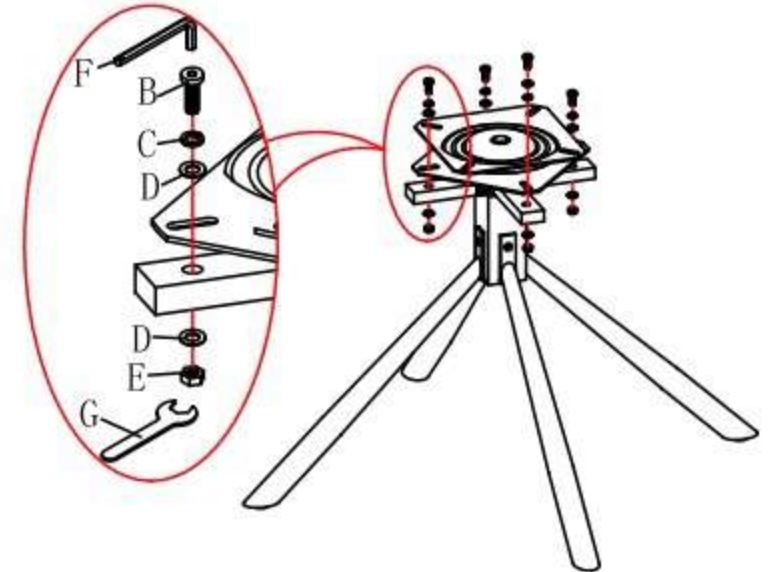
STEP 1



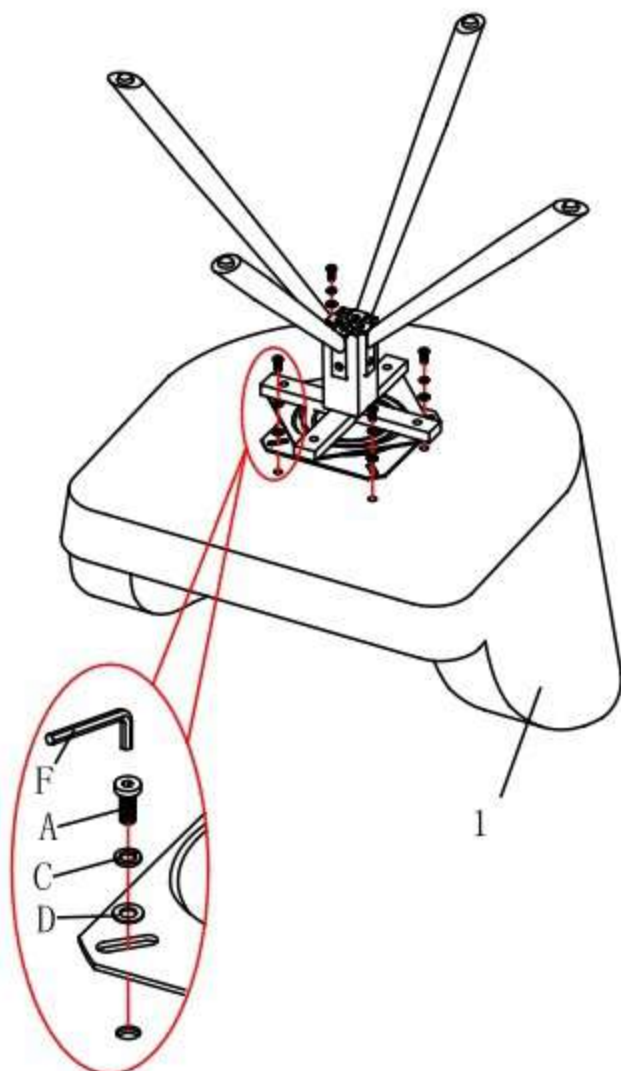
STEP 2



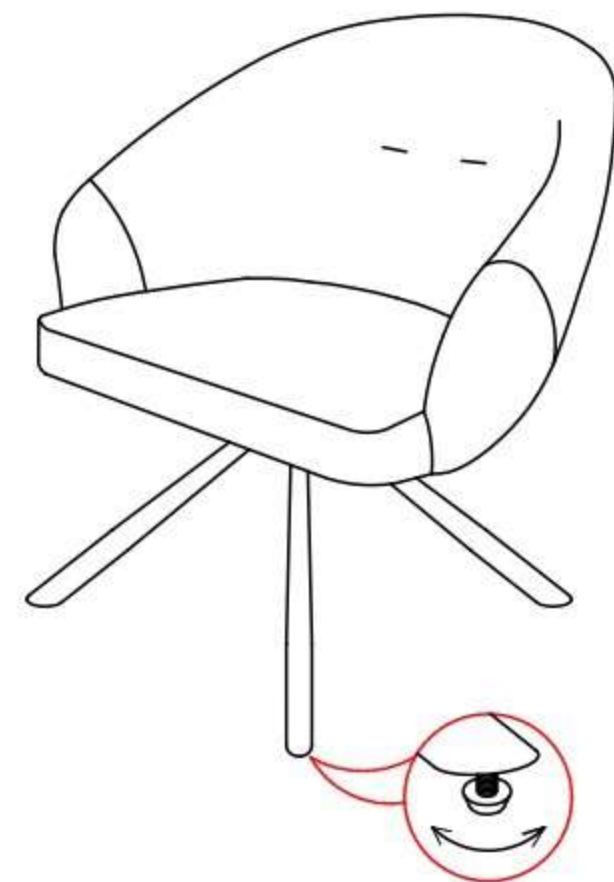
STEP 3



STEP 4



FINISH



PARTS IDENTIFICATION			
NO	Part	Sketch	Q' TY
1	Seat		1PC
2	Connect		1PC
3	Leg		4PCS
4	Fastenings		1PC

HARDWARE LIST:			
NO	Shape	Specification	Q' TY
A		M6x20mm	12pcs
B		M6x30mm	4pcs
C		φ11*φ6.5	16pcs
D		φ16*φ6.5	20pcs
E		M6	4pcs
F		Allen Wrench	1pc
G		Wrench	1pc

Do not tighten screws until completely assembled.