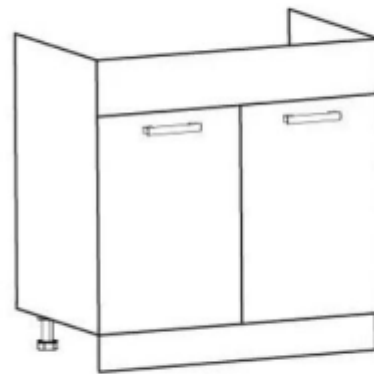
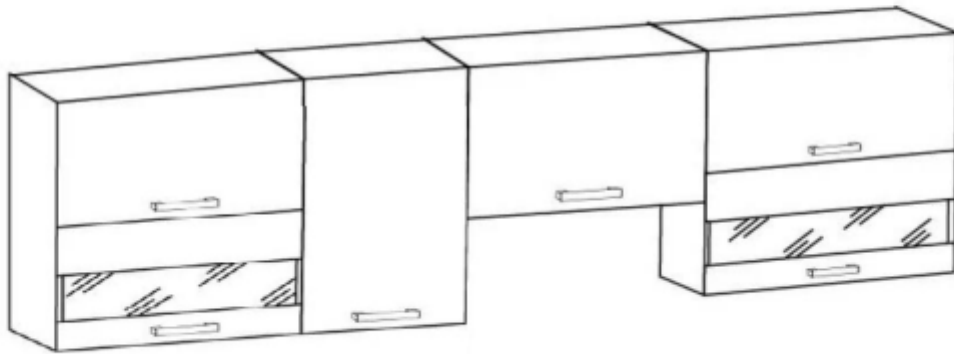
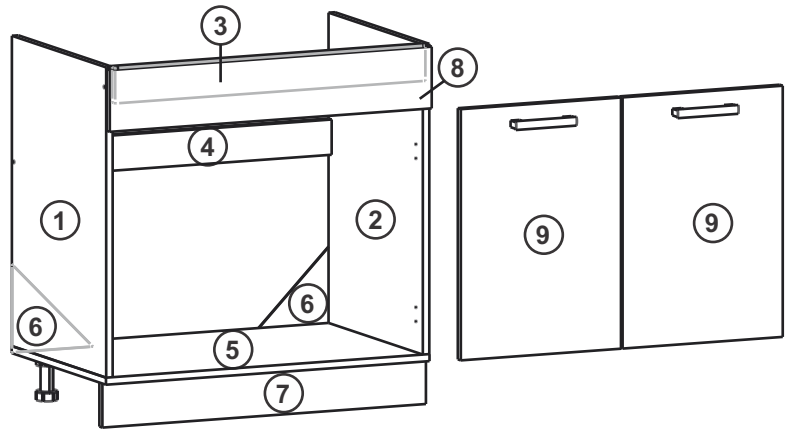
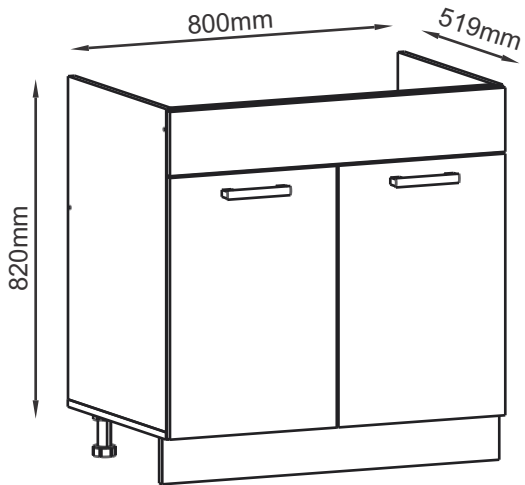


NIVIA 240

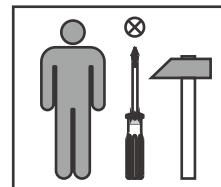


NIVIA D807

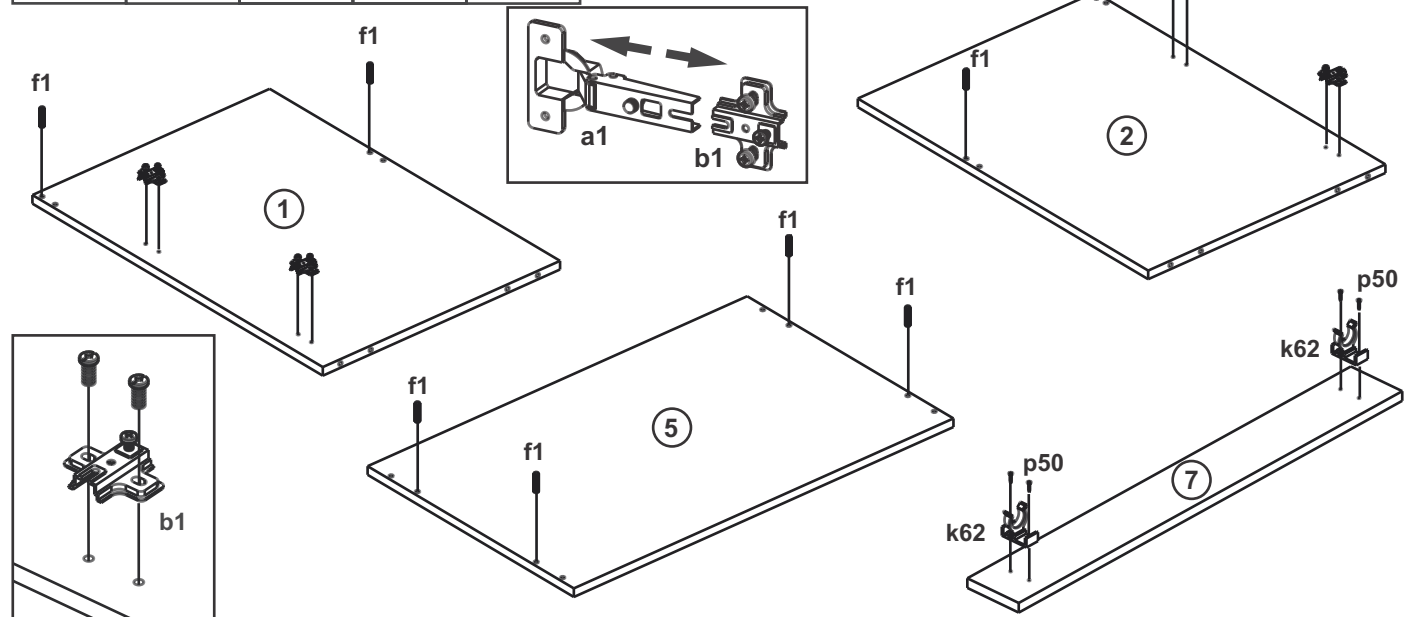


1x 4mm z1	8x Ø 6,3x50mm e27	8x Ø 12mm s3
8x Ø 8x30mm f1	4x Ø 35mm ab1	2x M4 r3
20x Ø 3x16mm p50	2x L=128/148mm c252	4x Ø 4x25mm p26
8x Ø 4,2x16mm p21	8x Ø 3,5x16mm p51	2x k61
2x Ø 4x30 mm p30	4x h=100mm k52	

A	B (mm)		C	D
1	704	500	16	x1 6/9
2	704	500	16	x1 6/9
3	767	80	16	x1 6/9
4	767	80	16	x1 6/9
5	800	500	16	x1 6/9
6	200	200	2,5	x1 6/9
7	800	100	16	x1 6/9
8	796	140	16	x1 8/9
9	396	570	16	x2 8/9



1	b1 x 4 40x50x12mm	f1 x 8 Ø 8x30mm	k62 x 2 	p50 x 4 Ø 3x16mm
----------	--------------------------	------------------------	-------------	-------------------------



2

z1 x 1 4mm	e27 x 4 Ø 6,3x50mm	s3 x 4 Ø 12mm
---------------	-----------------------	------------------

3

k52 x 4 h=100mm	p50 x 16 Ø 3x16mm	z1 x 1 4mm	e27 x 4 Ø 6,3x50mm	s3 x 4 Ø 12mm
--------------------	----------------------	---------------	-----------------------	------------------

4

p21 x 8 Ø 4,2x16mm

5

p30 x 2 Ø 4x30mm

6

a1 x 4 Ø 35mm	p51 x 8 Ø 3,5x16mm	c252 x 2 L=128/148mm	p26 x 4 Ø 4x25mm
------------------	-----------------------	-------------------------	---------------------

7