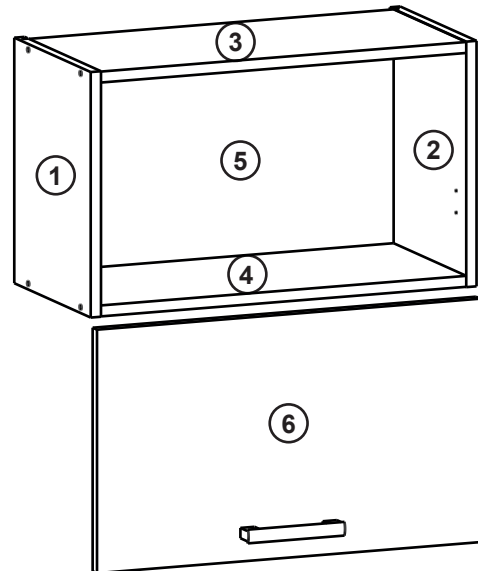
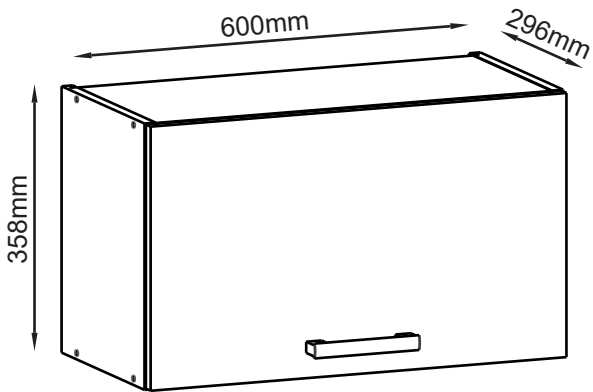
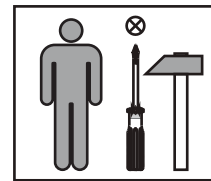


NIVIA G60o

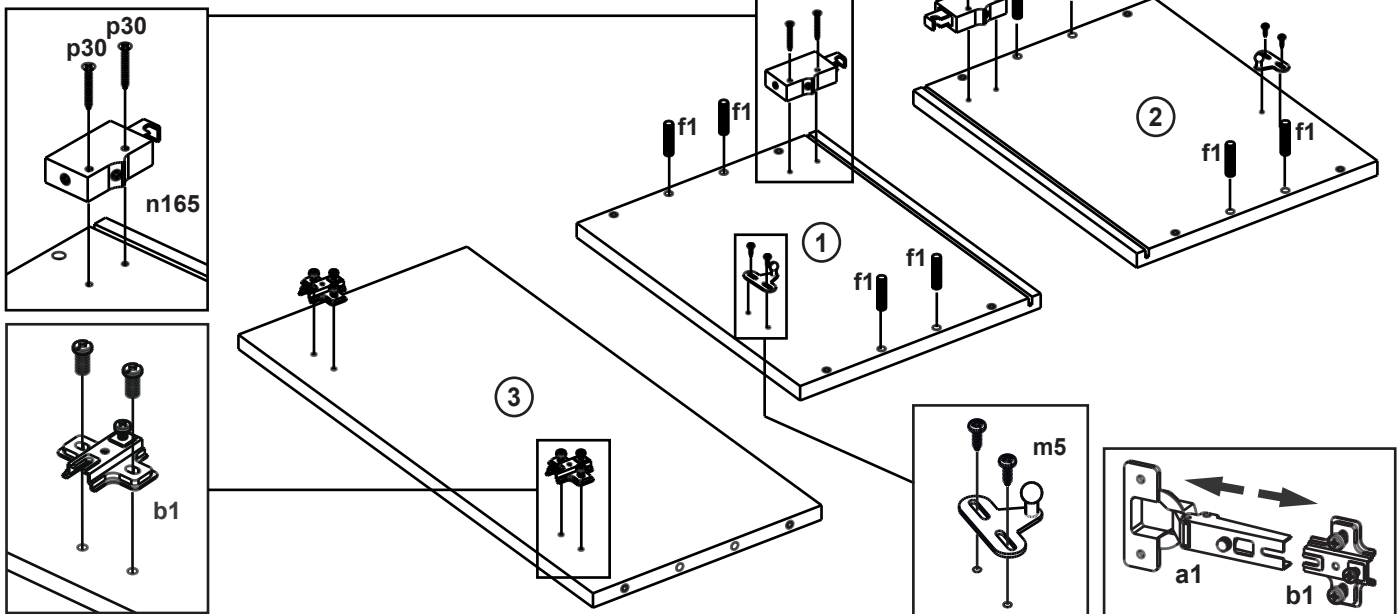


1x 4mm z1	8x Ø 6,3x50mm e27	8x Ø 12mm s3
8x Ø 8x30mm f1	2x Ø 35mm ab1	2x x4 m5
2x n165	1x L=128/148mm c252	4x 10x10x15mm l2
4x Ø 4,2x16mm p21	4x Ø 3,5x16mm p51	2x Ø 4x25mm p26
2x 80x27x5mm j1	4x Ø 4x30 mm p30	2x M4 r3

A	B (mm)		C	D
1	358	280	16	x1 1/1
2	358	280	16	x1 1/1
3	568	266	16	x1 1/1
4	568	280	16	x1 1/1
5	582	348	2.5	x1 1/1
6	596	355	16	x1 1/1



1	n165 x 2 	p30 x 4 	b1 x 2 	f1 x 8 	m5 x 2
----------	--------------	-------------	------------	------------	------------



2

z1 x 1 4mm	e27 x 8 Ø 6,3x50mm	s3 x 8 Ø 12mm
---------------	-----------------------	------------------

1

2

3

4

5

s3

e27

z1

e27

3

p21 x 4 Ø 4,2x16mm	I2 x 4 10x10x15mm
-----------------------	----------------------

I

I2

II

I2

p21

8mm

4

a1 x 2 Ø 35mm	p51 x 4 Ø 3,5x16mm	c252 x 1 L=128/148mm	p26 x 2 Ø 4x25mm	m5 x 2 x2
------------------	-----------------------	-------------------------	---------------------	--------------

m5

p51

p51

a1

p26

p26

6

c252

5

a1	b1
----	----

a1

b1

6

6

m5 x 2

m5

m5

7

j1 x 2
80x27x5mm

