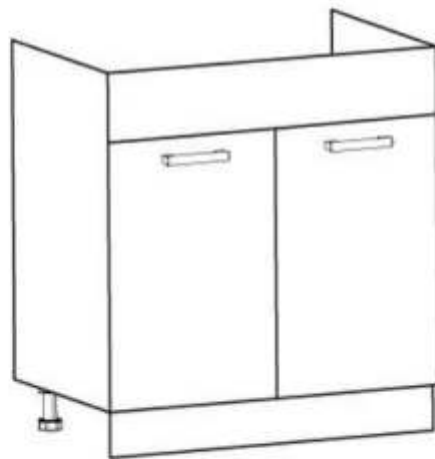
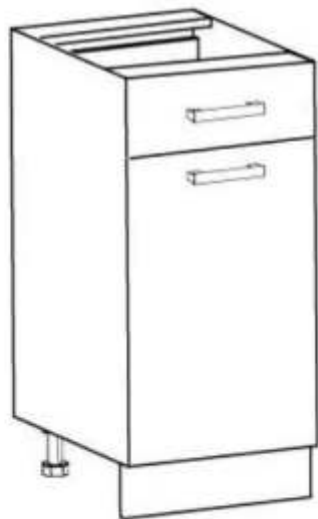
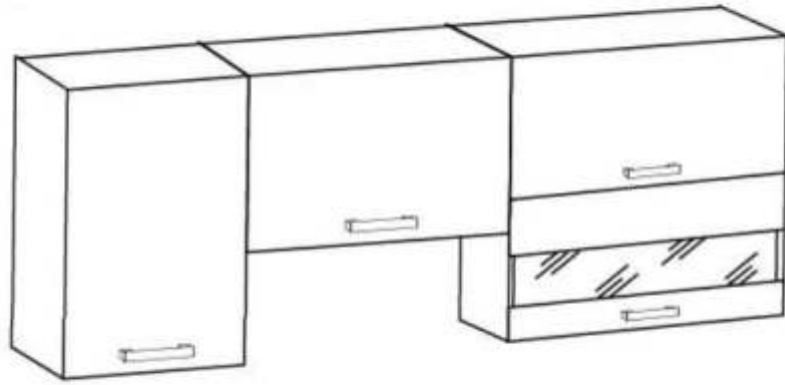
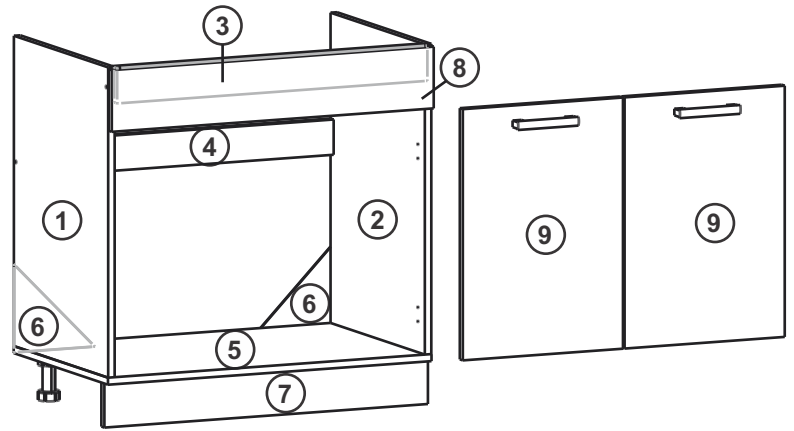
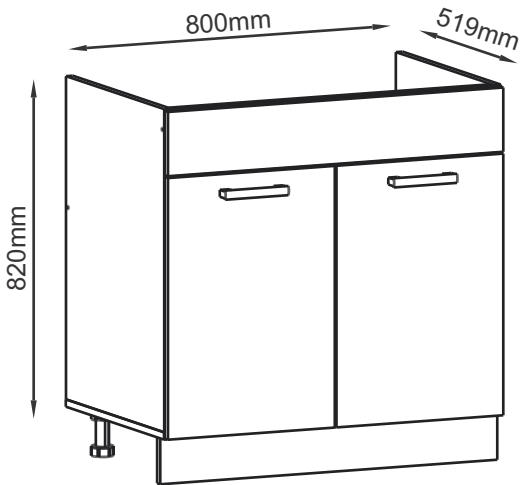


# NIVIA 180

---

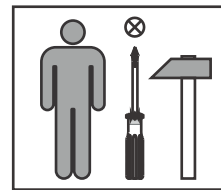


# NIVIA D80Z

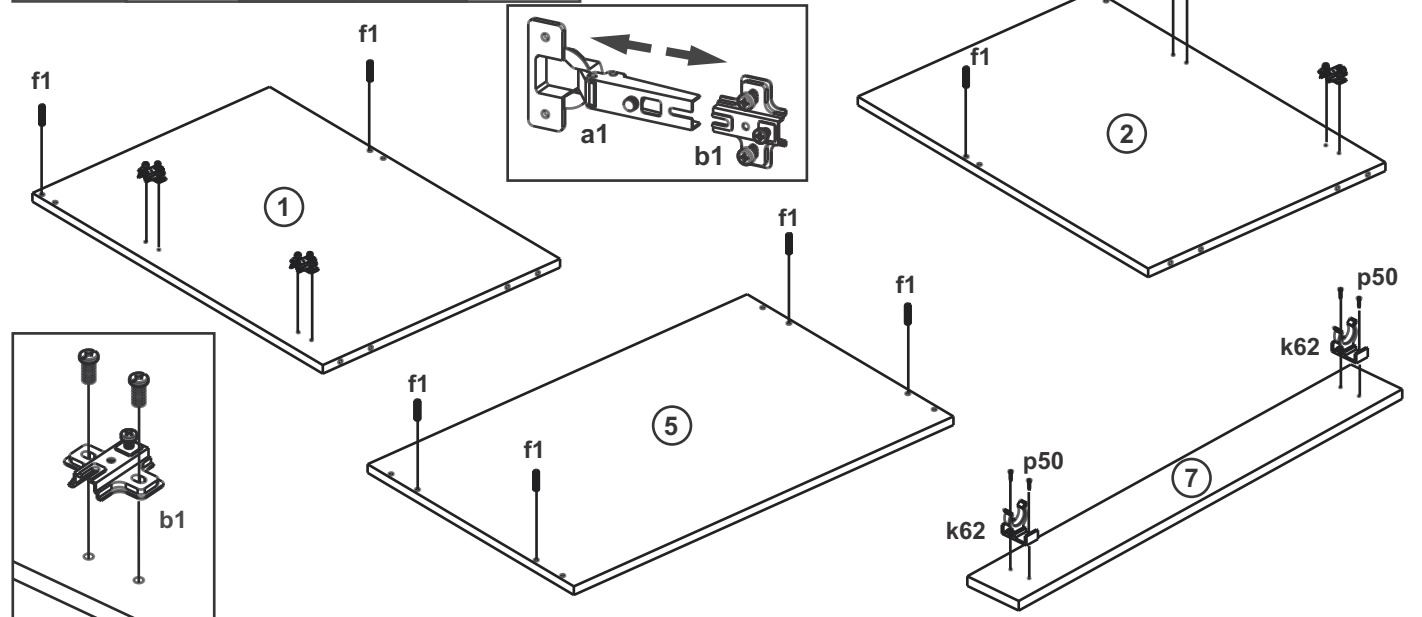


1x 4mm  <b>z1</b>	8x  Ø 6,3x50mm <b>e27</b>	8x  Ø 12mm <b>s3</b>
8x  Ø 8x30mm <b>f1</b>	4x  Ø 35mm <b>ab1</b>	2x  M4 <b>r3</b>
20x  Ø 3x16mm <b>p50</b>	2x  L=128/148mm <b>c252</b>	4x  Ø 4x25mm <b>p26</b>
8x  Ø 4,2x16mm <b>p21</b>	8x  Ø 3,5x16mm <b>p51</b>	2x  <b>k61</b>
2x  Ø 4x30 mm <b>p30</b>	4x  h=100mm <b>k52</b>	

A	B (mm)		C	D
1	704	500	16	x1 4/6
2	704	500	16	x1 4/6
3	767	80	16	x1 4/6
4	767	80	16	x1 4/6
5	800	500	16	x1 4/6
6	200	200	2,5	x1 4/6
7	800	100	16	x1 4/6
8	796	140	16	x1 6/6
9	396	570	16	x2 6/6



<b>1</b>	b1 x 4  40x50x12mm	f1 x 8  Ø 8x30mm	k62 x 2 	p50 x 4 
----------	--------------------------	------------------------	-------------	-------------



**2**

z1 x 1	e27 x 4	s3 x 4
4mm	Ø 6,3x50mm	Ø 12mm

**3**

k52 x 4	p50 x 16	z1 x 1	e27 x 4	s3 x 4
h=100mm	Ø 3x16mm	4mm	Ø 6,3x50mm	Ø 12mm

**4**

p21 x 8
Ø 4,2x16mm

**5**

p30 x 2
Ø 4x30mm

**6**

a1 x 4	p51 x 8	c252 x 2	p26 x 4
Ø 35mm	Ø 3,5x16mm	L=128/148mm	Ø 4x25mm

**7**