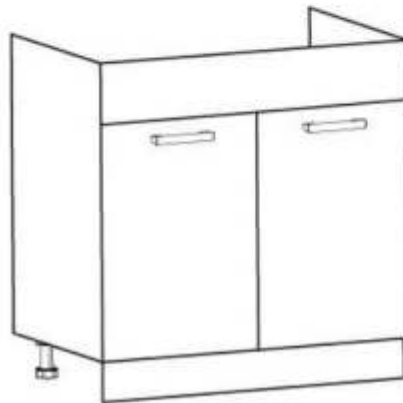
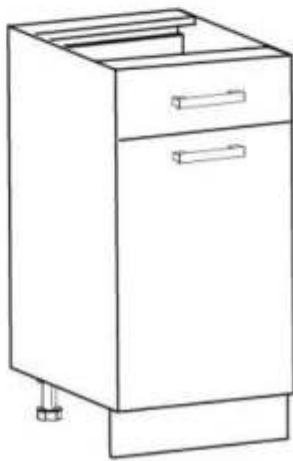
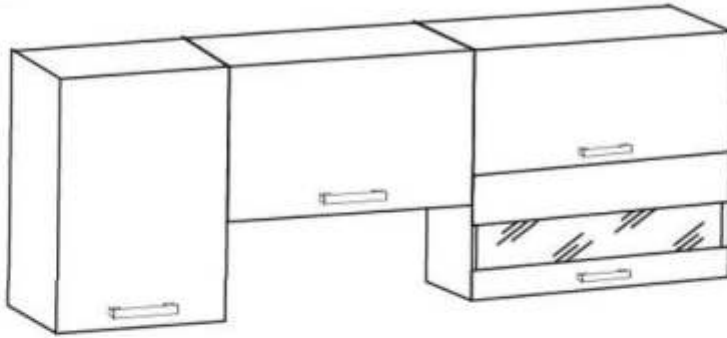
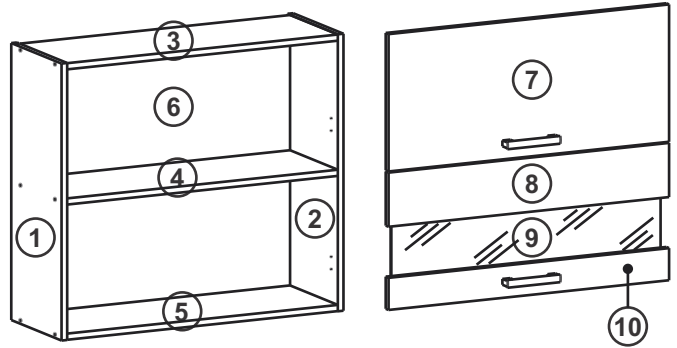
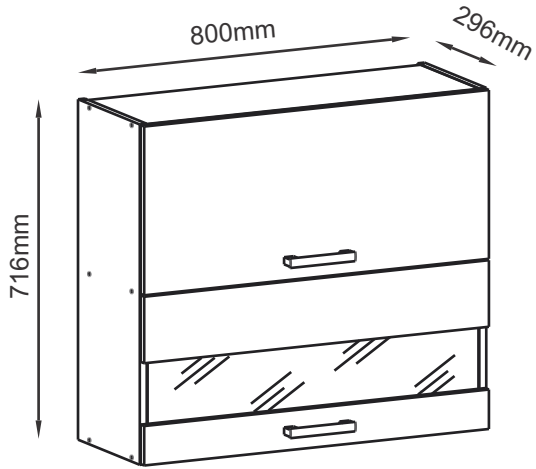


NIVIA 180

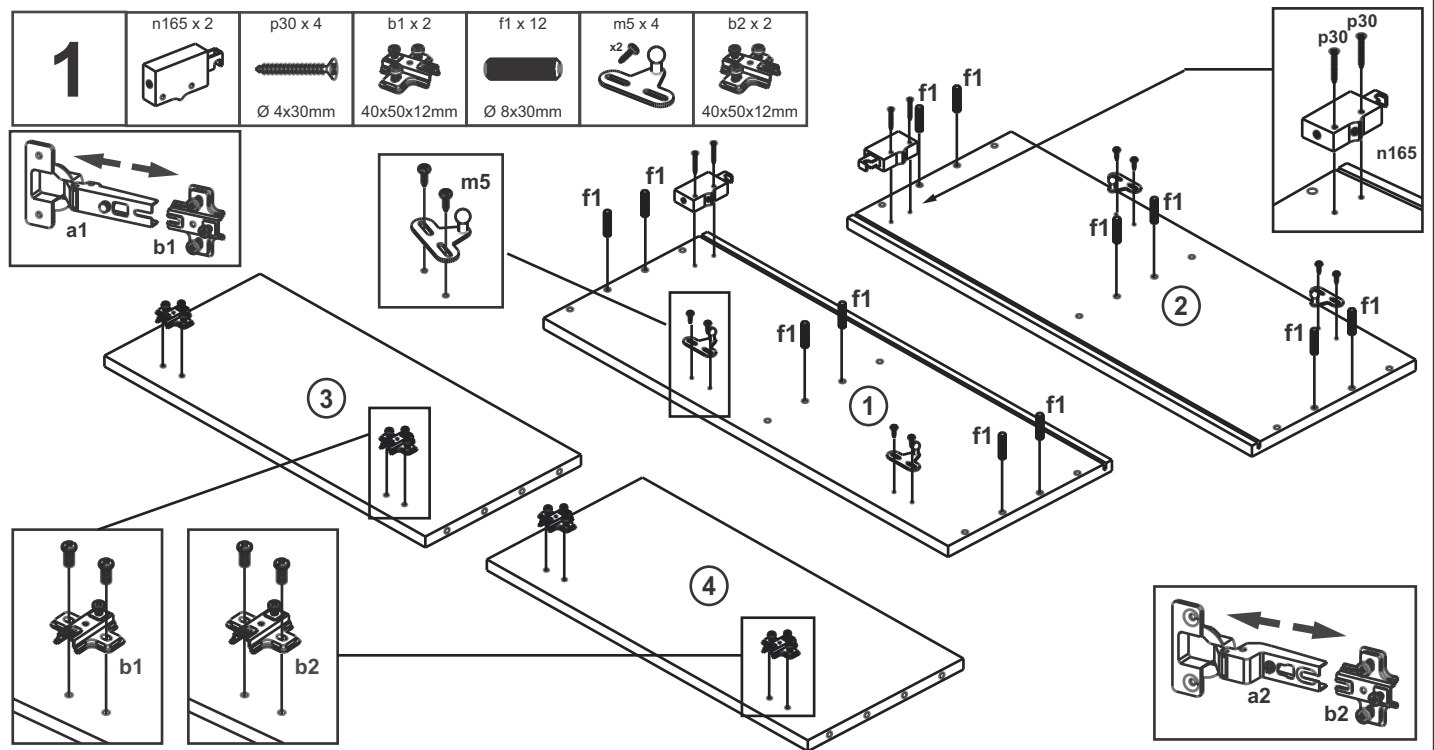
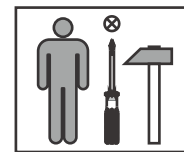


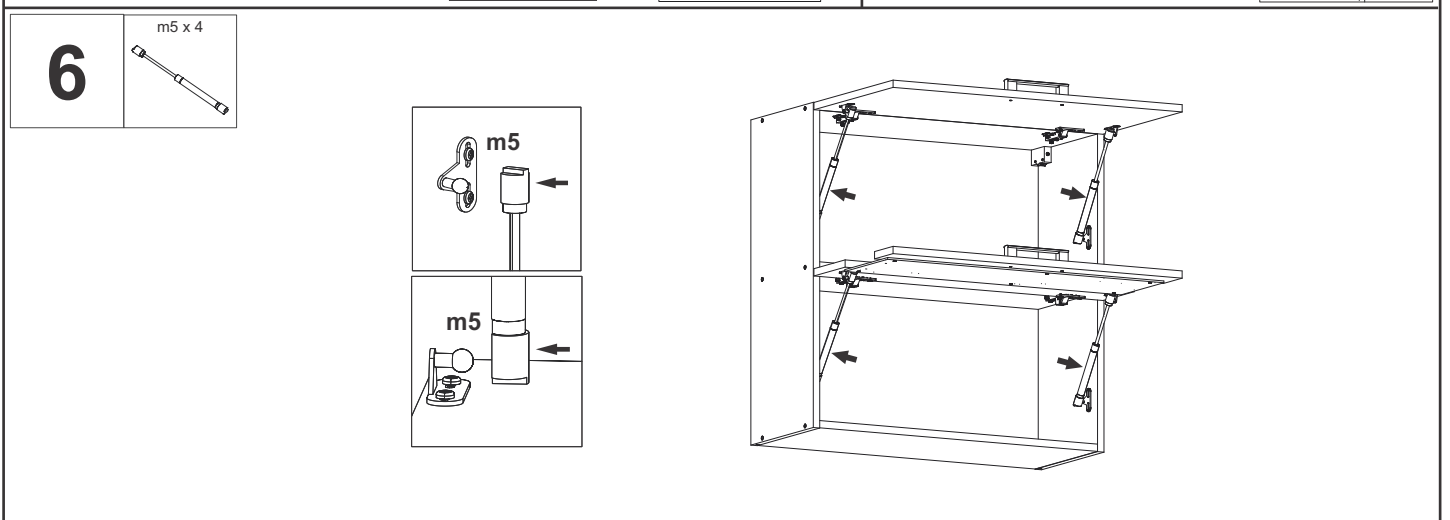
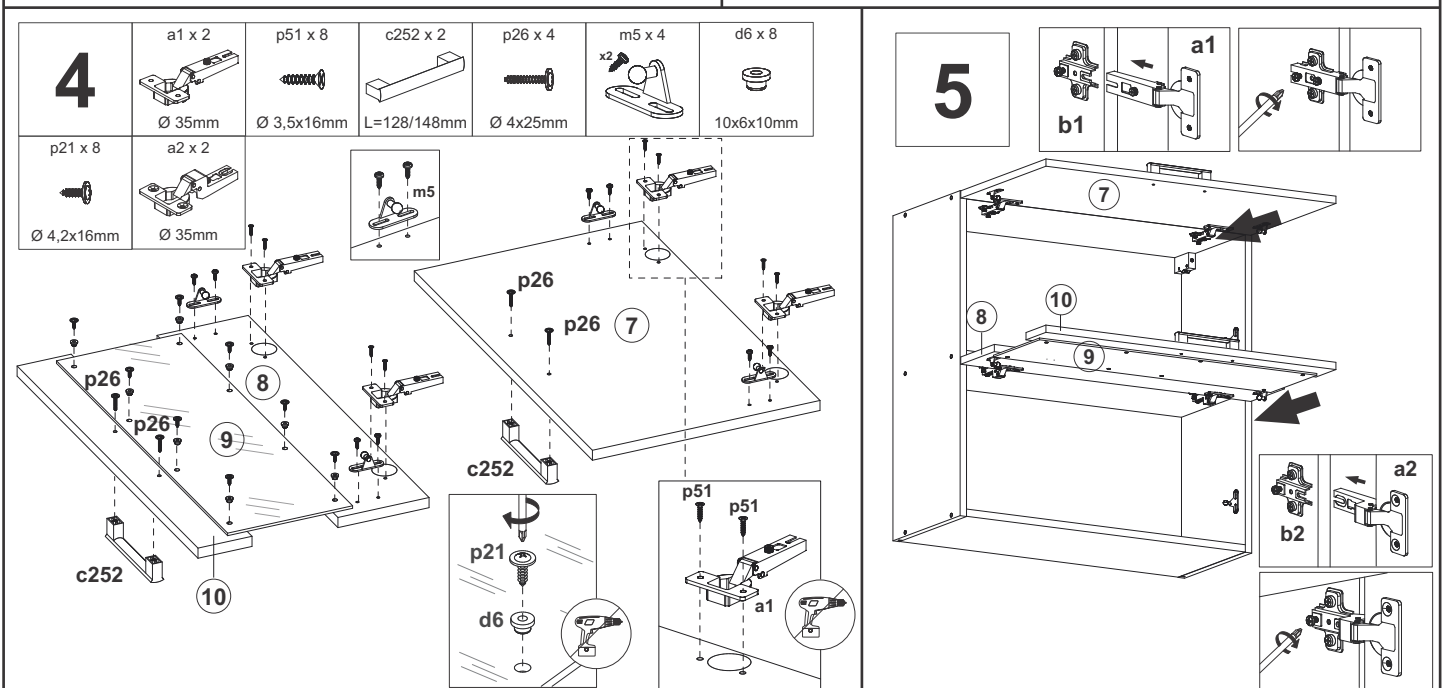
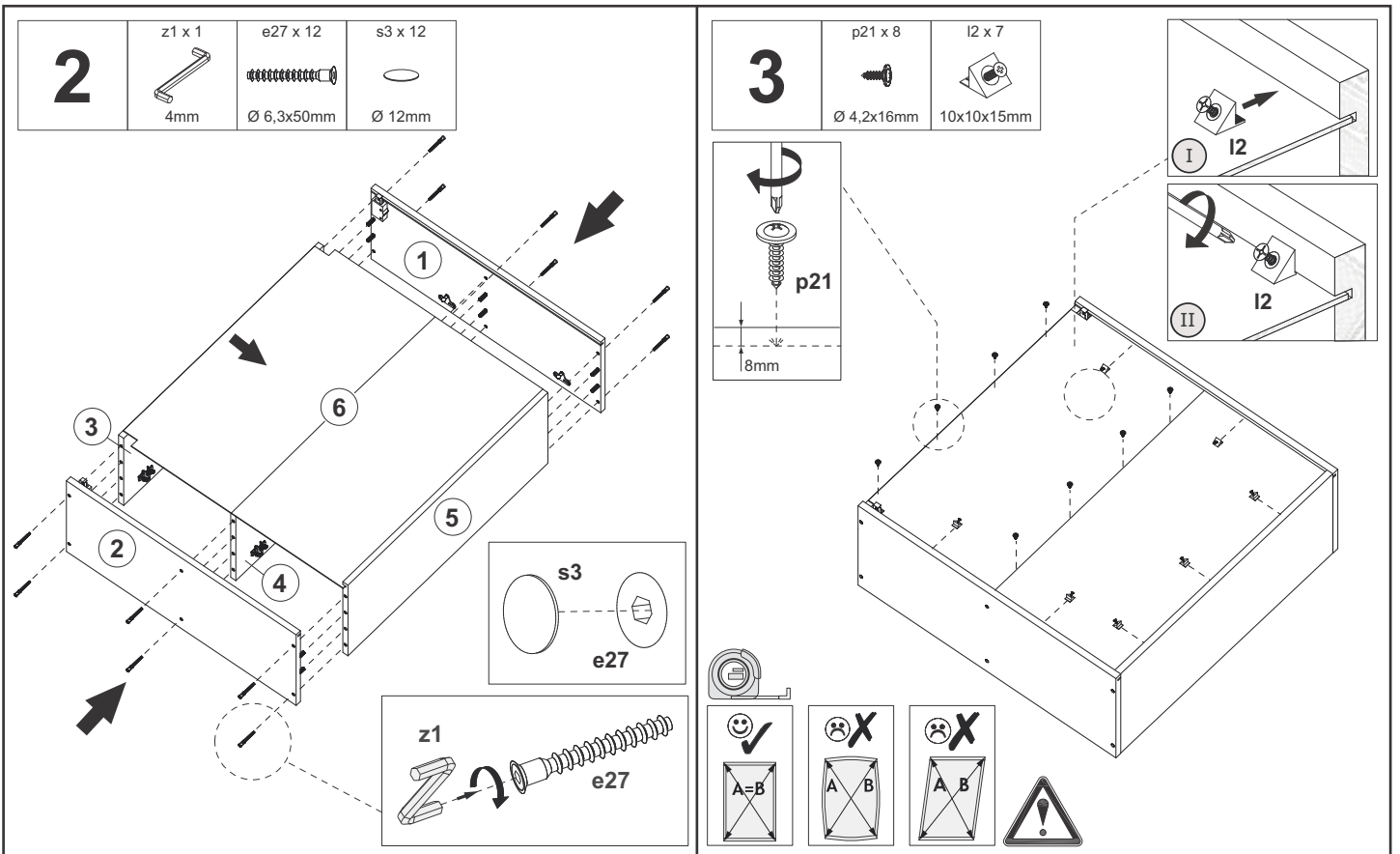
NIVIA G80W



1x 4mm z1	12x Ø 6,3x50mm e27	12x Ø 12mm s3
12x Ø 8x30mm f1	2x Ø 35mm ab1	4x m5
2x n165	2x L=128/148mm c252	7x 10x10x15mm l2
16x Ø 4,2x16mm p21	8x Ø 3,5x16mm p51	4x Ø 4x25mm p26
2x 80x27x5mm j1	4x Ø 4x30 mm p30	2x M4 r3
		8x 10x6x10mm d6
		2x Ø 35mm ab2

	A	B (mm)	C	D
1	716	280	16	x1 2/6
2	716	280	16	x1 2/6
3	768	266	16	x1 2/6
4	768	266	16	x1 2/6
5	768	280	16	x1 2/6
6	782	704	2.5	x1 2/6
7	796	355	16	x1 6/6
8	796	140	16	x1 6/6
9	764	192	4	x1 6/6
10	796	83	16	x1 6/6





7

j1 x 2
80x27x5mm

