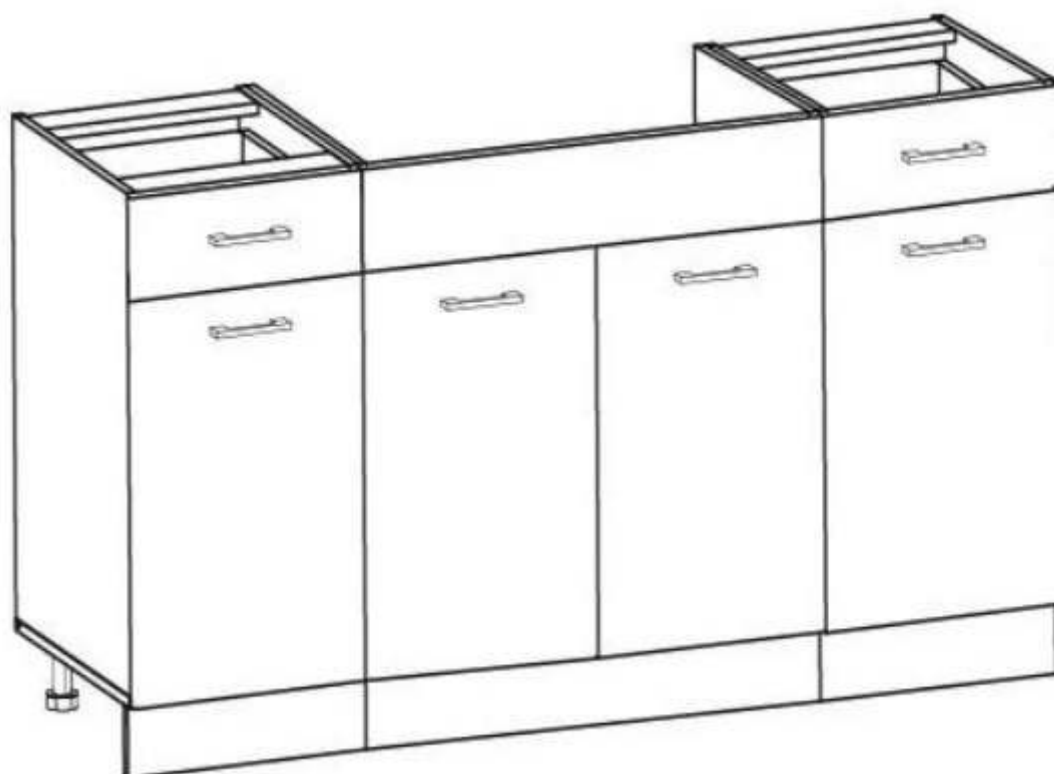
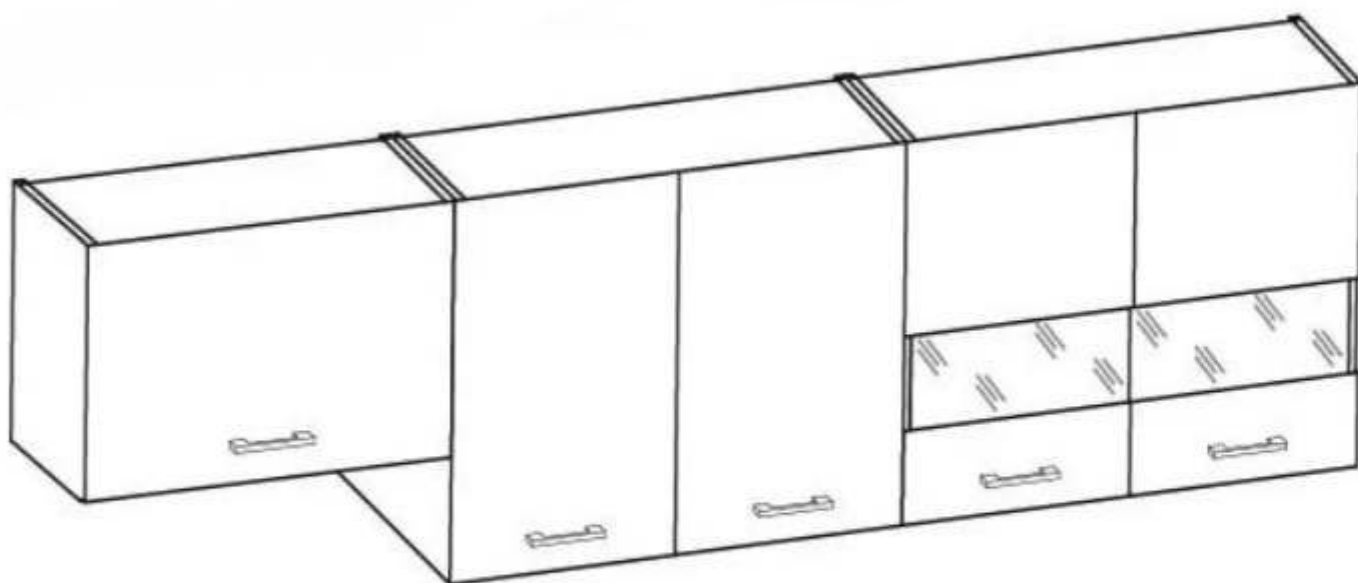
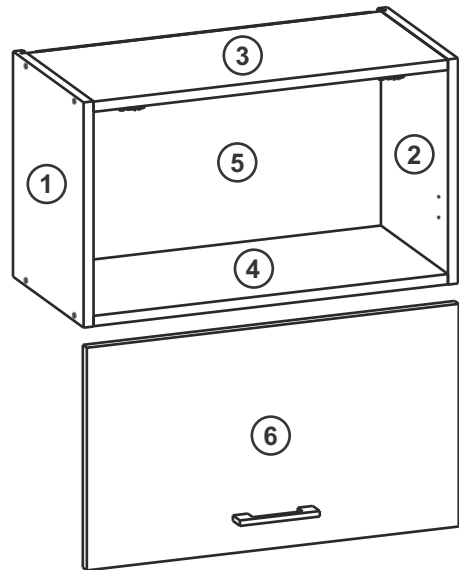
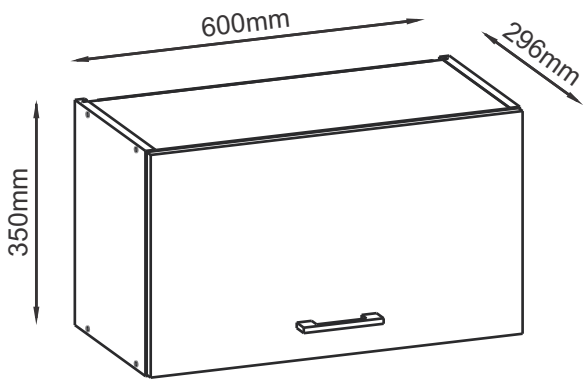


# MALIK 220

---

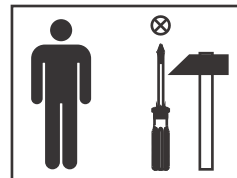


# MALIK Wo60\_35

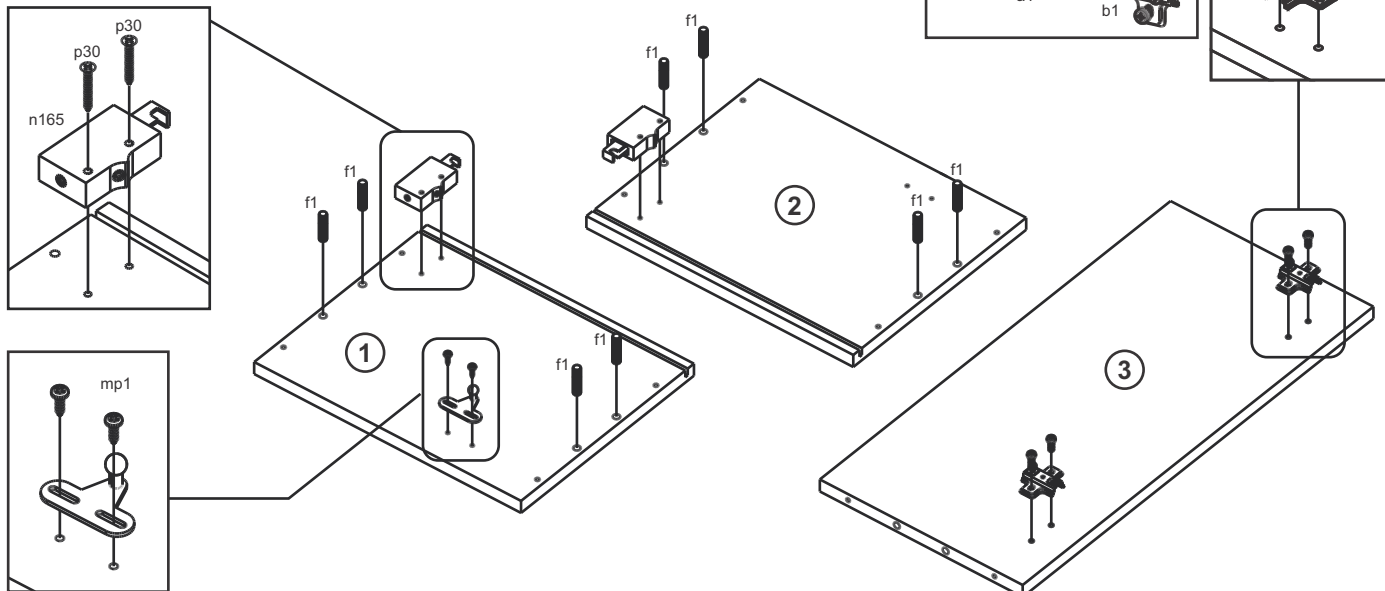
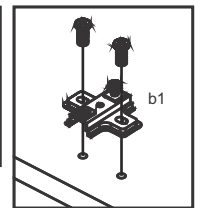
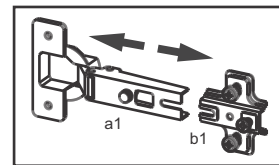


1x 4mm  <b>z1</b>	8x  Ø 6,3x50mm <b>e27</b>	8x  Ø 12mm <b>s3</b>
8x  Ø 8x30mm <b>f1</b>	2x  Ø 35mm <b>ab1</b>	1x  x4 <b>mp</b>
2x  <b>n165</b>	1x  L=96/128mm <b>c238</b>	4x  10x10x15mm <b>l2</b>
6x  Ø 2x20mm <b>g1</b>	4x  Ø 3,5x16mm <b>p51</b>	2x  Ø 4x25mm <b>p26</b>
	4x  Ø 4x30 mm <b>p30</b>	

A	B (mm)		C	D
1	350	280	16	x1 1/1
2	350	280	16	x1 1/1
3	568	266	16	x1 1/1
4	568	280	16	x1 1/1
5	582	340	2.5	x1 1/1
6	596	346	16	x1 1/1



<b>1</b>	n165 x 2 	p30 x 4 Ø 4x30mm 	mp1 x 1 x2 	b1 x 2 40x50x12mm 	f1 x 8 Ø 8x30mm 
----------	--------------	-------------------------	-------------------	--------------------------	------------------------



**2**

z1 x 1	e27 x 8	s3 x 8
4mm	Ø 6,3x50mm	Ø 12mm

e27  
s3

z1  
e27

**3**

g1 x 6	l2 x 4
Ø 2x20mm	10x10x15mm

g1  
8mm

XX=YY=90°

**4**

a1 x 2	p51 x 4	c238 x 1	p26 x 2	mp2 x 1
Ø 35mm	Ø 3,5x16mm	L=96/128mm	Ø 4x25mm	x2

**L**

p51  
a1

mp2

p26

c238

Ø5

**5**

mp3 x 1

**L**

a1  
b1

mp3

**R**

**R**

6

