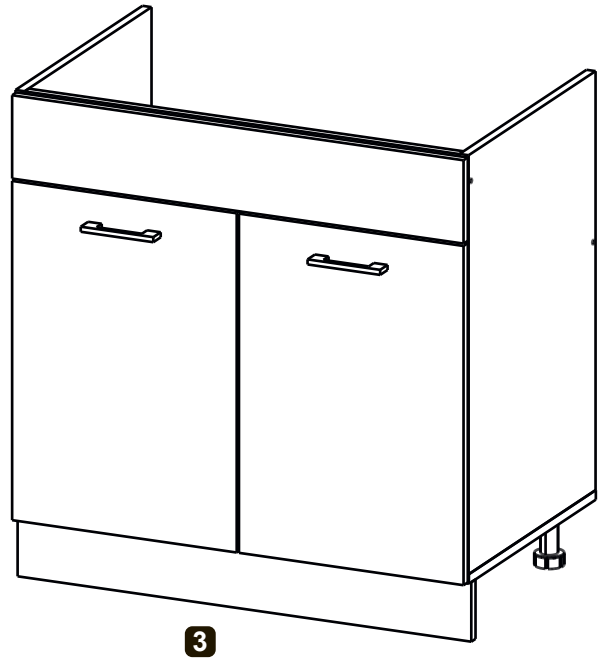
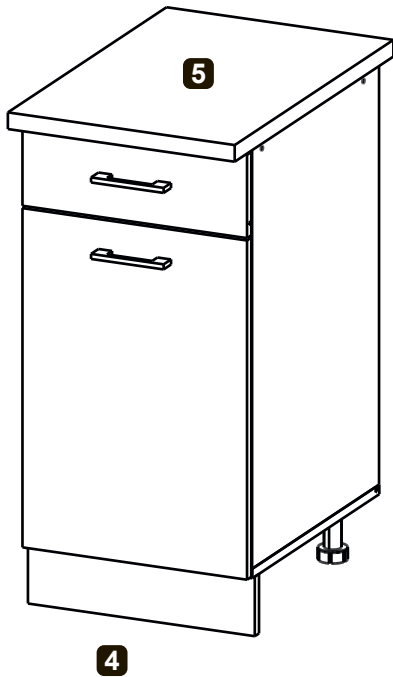
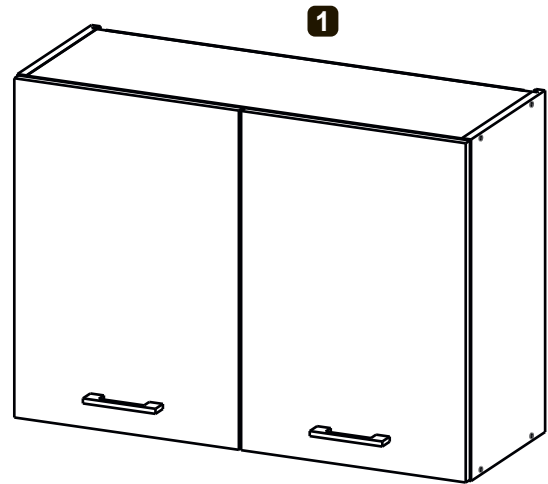
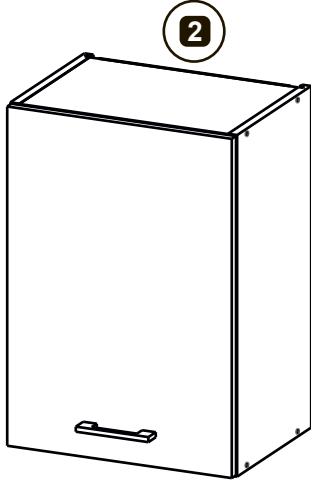
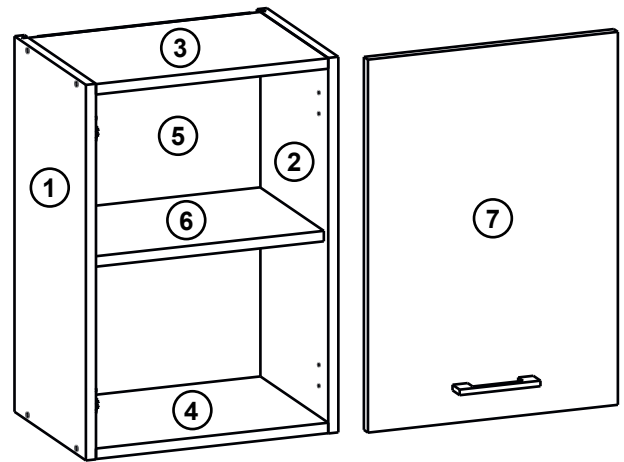
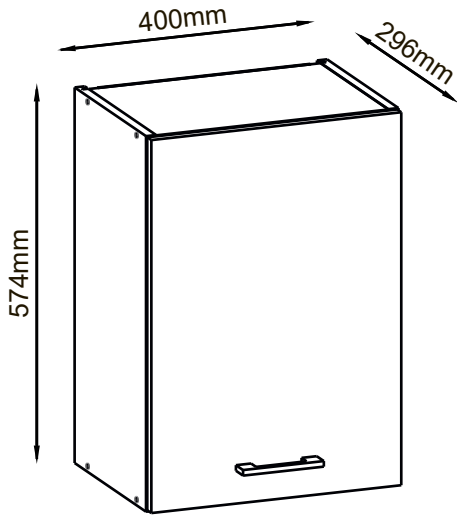


MALIK 180



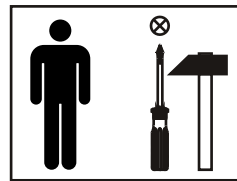
- 1 W80/57
- 2 W40/57
- 3 D80Z
- 4 D40S1
- 5 Worktop 40

MALIK W40_57

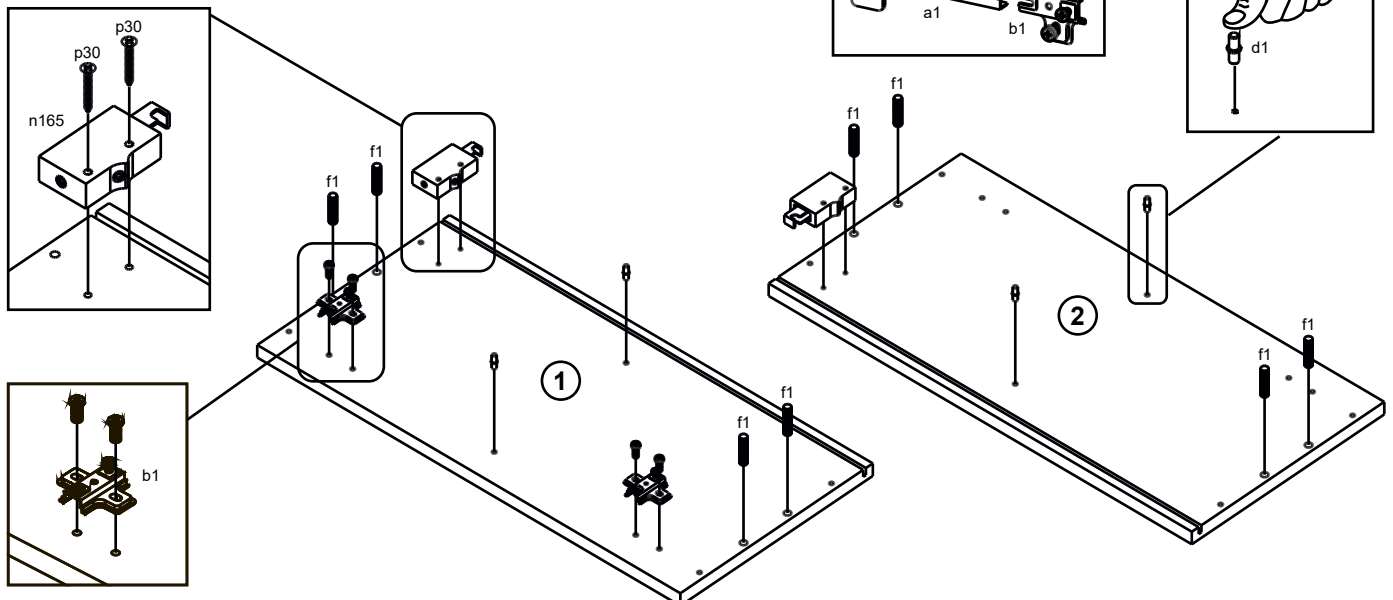
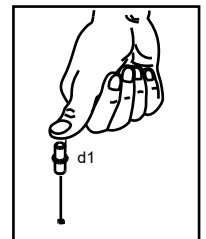
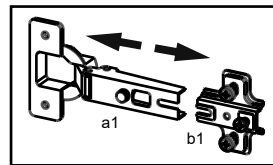


1x 4mm z1	8x Ø 6,3x50mm e27	8x Ø 12mm s3
8x Ø 8x30mm f1	2x Ø 35mm ab1	4x Ø 5mm d1
2x n165	1x L=96/128mm c238	5x 10x10x15mm l2
5x Ø 2x20mm g1	4x Ø 3,5x16mm p51	2x Ø 4x25mm p26
	4x Ø 4x30 mm p30	

	B (mm)		C	D	
1	574	280	16	x1	2/6
2	574	280	16	x1	2/6
3	368	266	16	x1	2/6
4	368	280	16	x1	2/6
5	564	382	2.5	x1	2/6
6	367	250	16	x1	2/6
7	570	396	16	x1	6/6



1	n165 x 2 	p30 x 4 Ø 4x30mm	d1 x 4 Ø 5mm	b1 x 2 40x50x12mm	f1 x 8 Ø 8x30mm
----------	--------------	-------------------------	---------------------	--------------------------	------------------------



2	z1 x 1 4mm	e27 x 8 Ø 6,3x50mm	s3 x 8 Ø 12mm
----------	---------------	-----------------------	------------------

e27	s3
-----	----

z1	e27
----	-----

3	g1 x 5 Ø 2x20mm	l2 x 5 10x10x15mm
----------	--------------------	----------------------

!
XX=YY=90°

4	a1 x 2 Ø 35mm	p51 x 4 Ø 3,5x16mm	c238 x 1 L=96/128mm	p26 x 2 Ø 4x25mm
----------	------------------	-----------------------	------------------------	---------------------

L

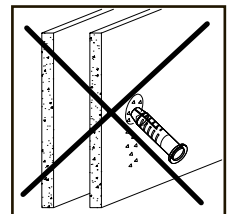
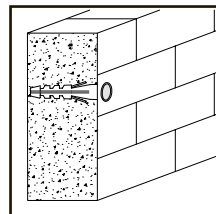
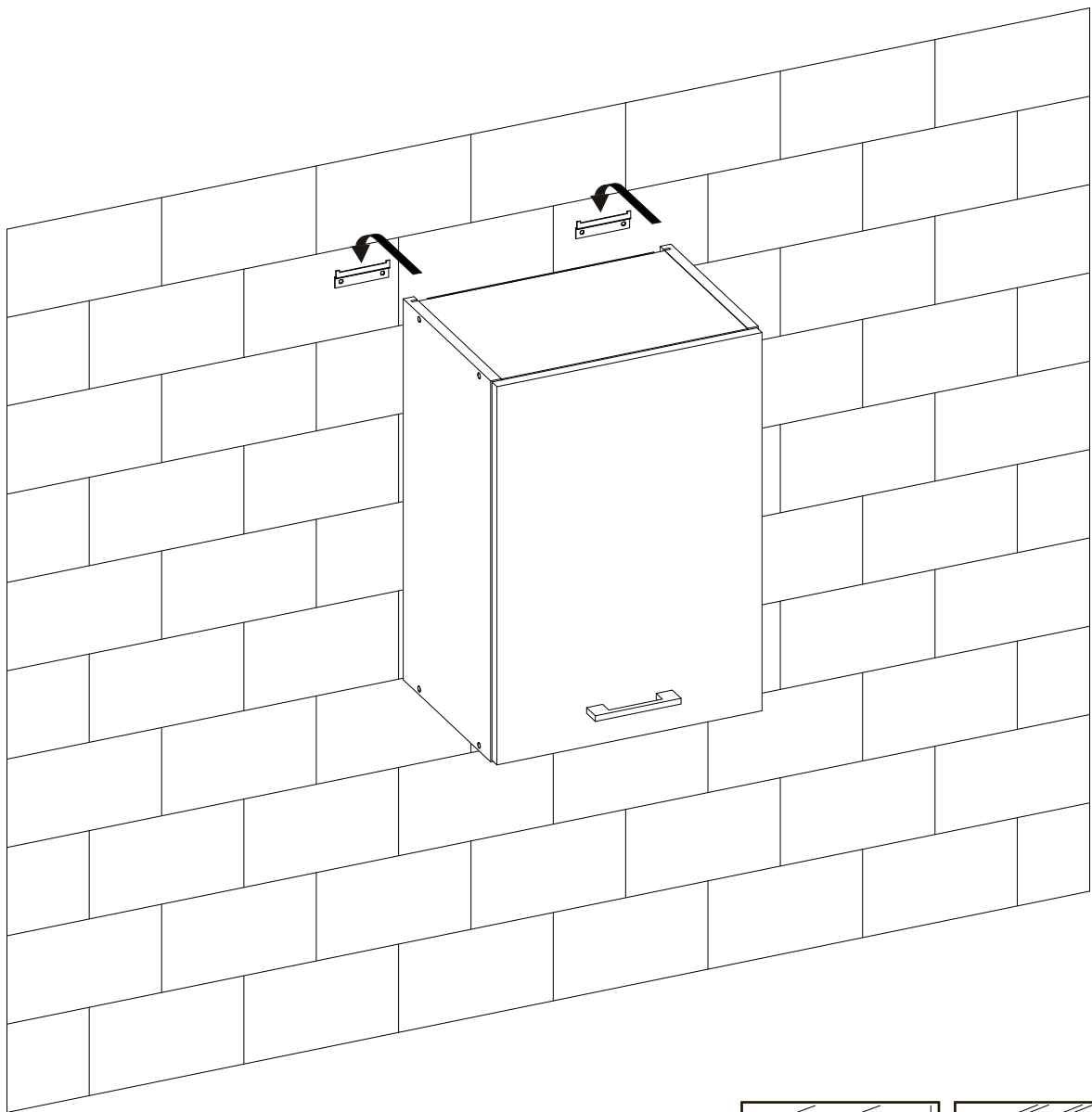
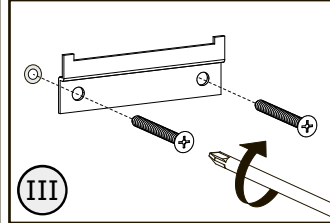
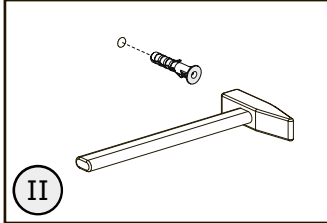
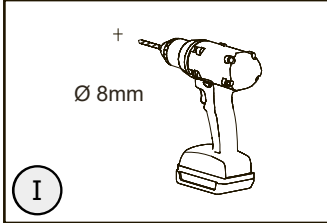
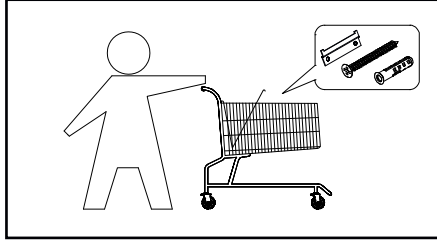
5	a1	b1
----------	----	----

L

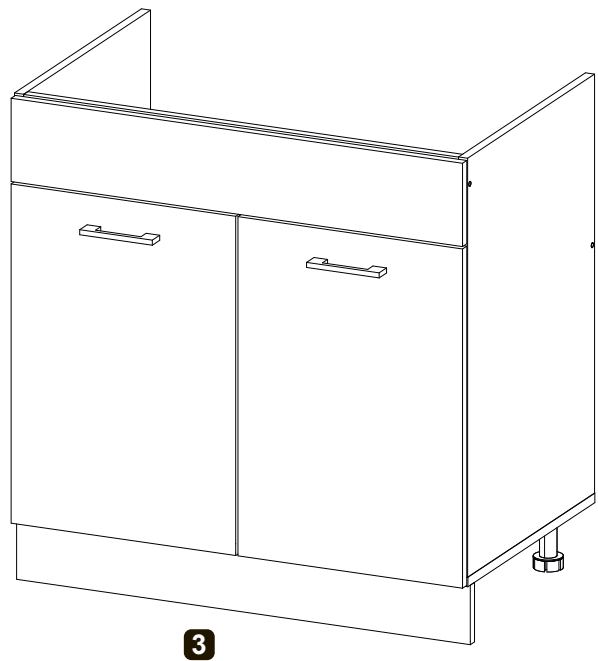
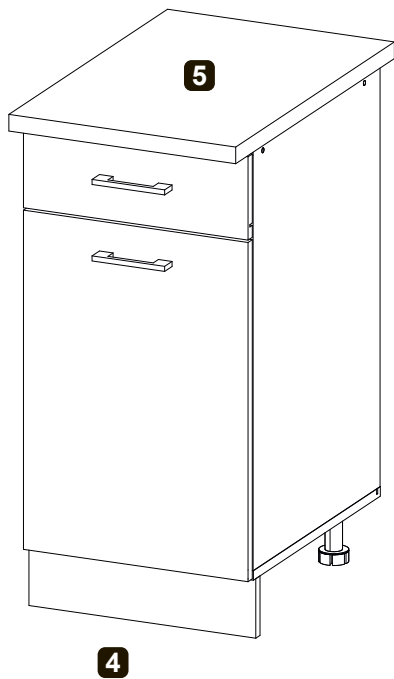
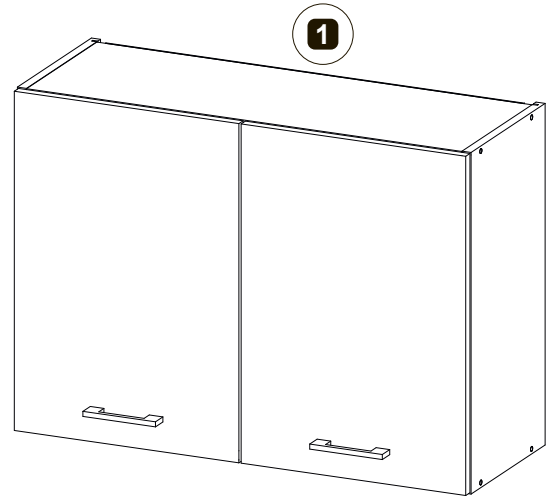
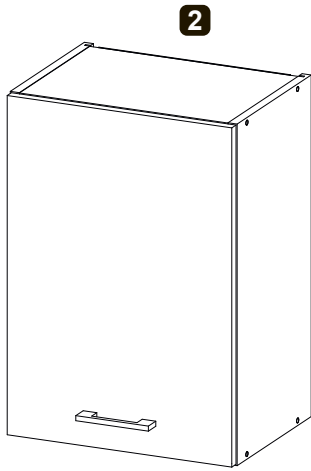
R

R

6

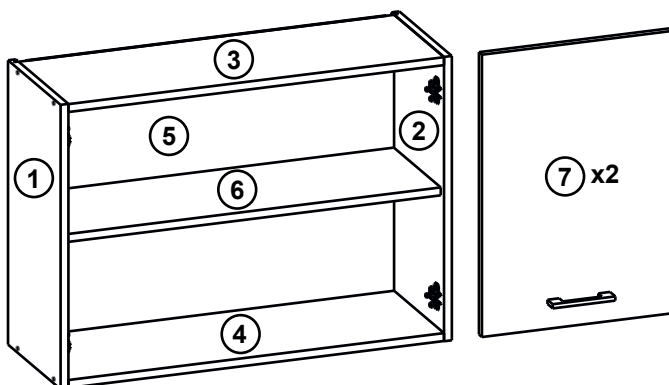
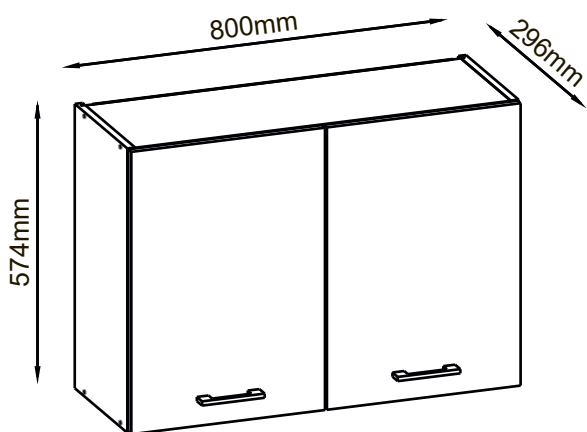


MALIK 180



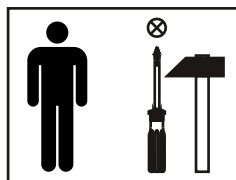
- 1** W80/57
- 2** W40/57
- 3** D80Z
- 4** D40S1
- 5** Worktop 40

MALIK W80_57

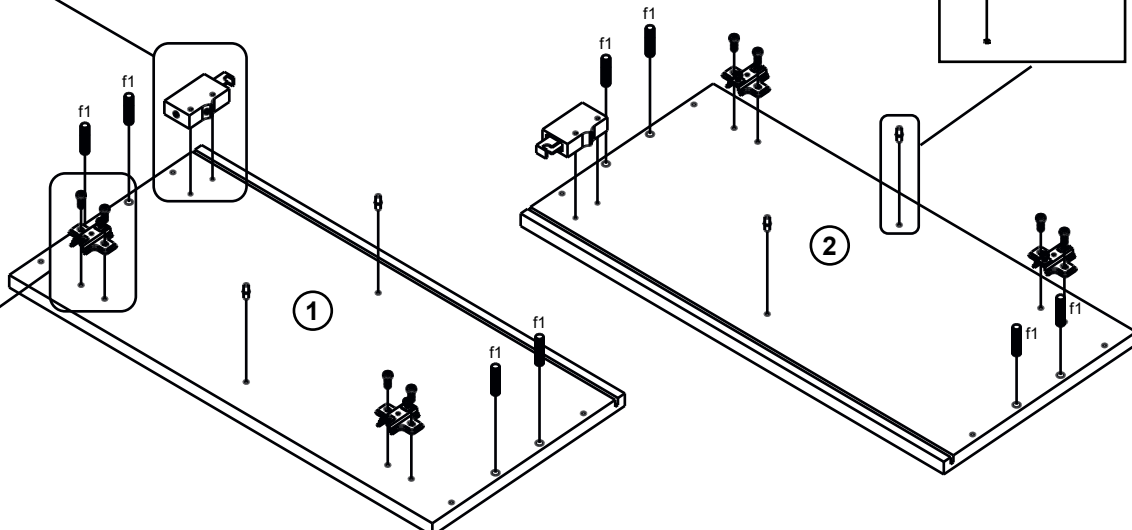
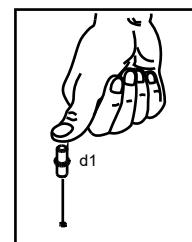
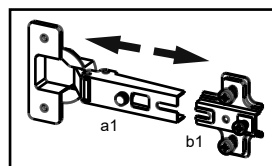
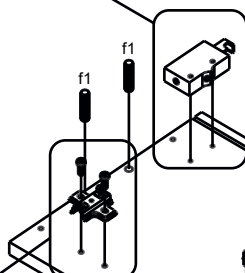
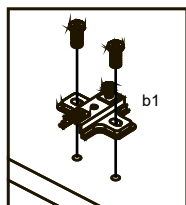
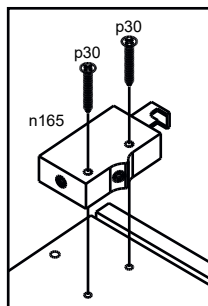


1x 4mm z1	8x Ø 6,3x50mm e27	8x Ø 12mm s3
8x Ø 8x30mm f1	4x Ø 35mm ab1	4x Ø 5mm d1
2x n165	2x L=96/128mm c238	6x 10x10x15mm l2
8x Ø 2x20mm g1	8x Ø 3,5x16mm p51	4x Ø 4x25mm p26
	4x Ø 4x30 mm p30	

A	B (mm)		C	D
1	574	280	16	x1
2	574	280	16	x1
3	768	266	16	x1
4	768	280	16	x1
5	782	560	2.5	x1
6	767	250	16	x1
7	570	396	16	x2



1	n165 x 2 	p30 x 4 	d1 x 4 	b1 x 4 	f1 x 8
----------	--------------	-------------	------------	------------	------------



2

z1 x 1 4mm	e27 x 8 Ø 6,3x50mm	s3 x 8 Ø 12mm
---------------	-----------------------	------------------

z1

e27

s3

3

g1 x 8 Ø 2x20mm	l2 x 6 10x10x15mm
--------------------	----------------------

g1

l2

8mm

XX=YY=90°

4

a1 x 4 Ø 35mm	p51 x 8 Ø 3,5x16mm	c238 x 2 L=96/128mm	p26 x 4 Ø 4x25mm
------------------	-----------------------	------------------------	---------------------

a1

p51

c238

p26

XX=YY=90°

5

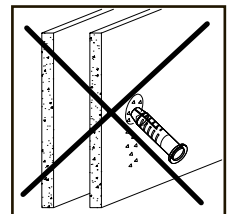
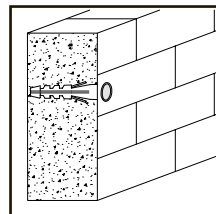
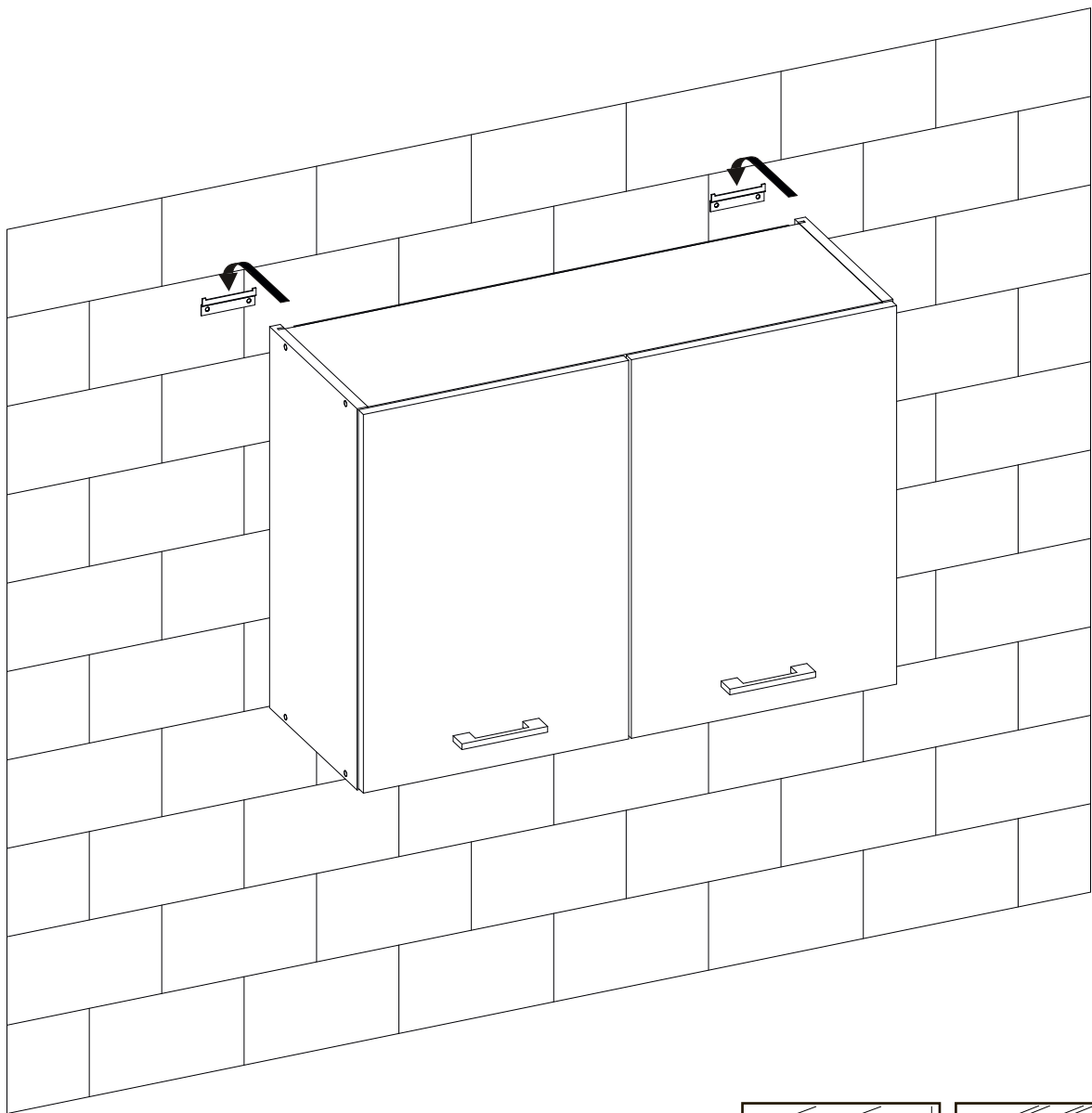
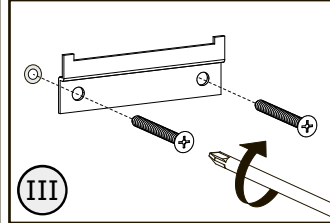
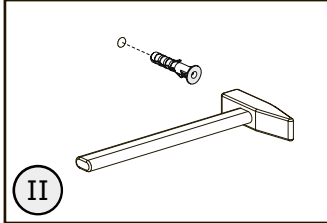
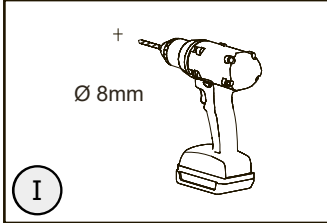
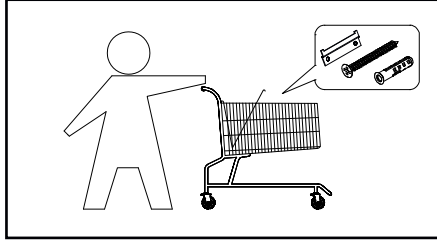
7

6

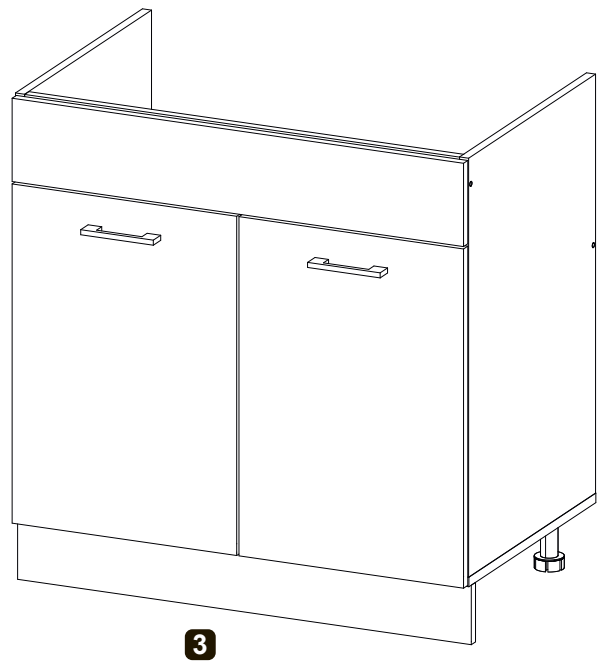
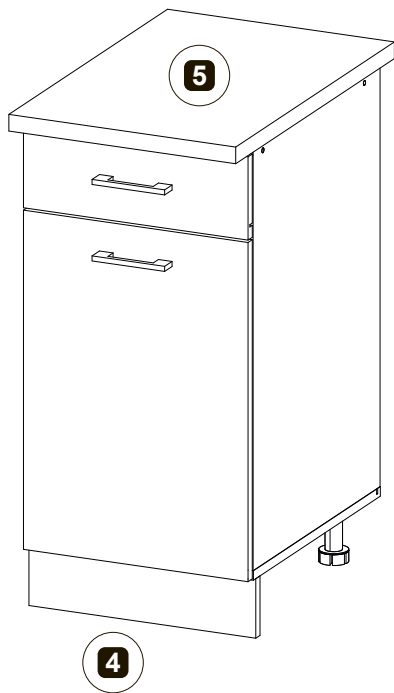
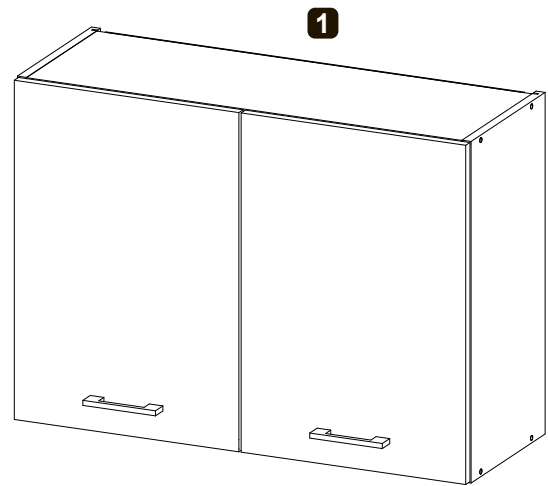
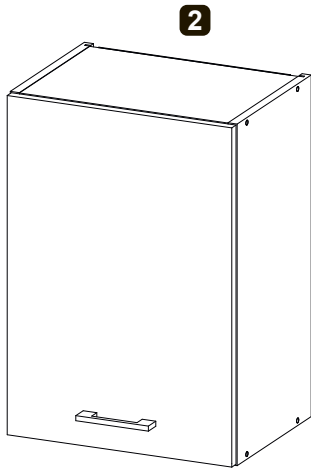
a1

b1

6

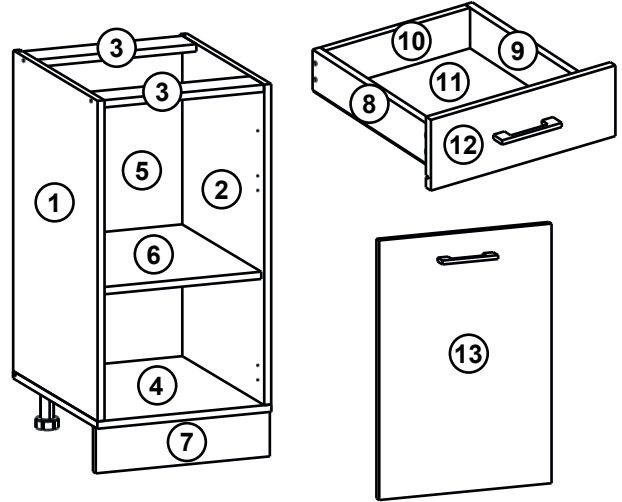
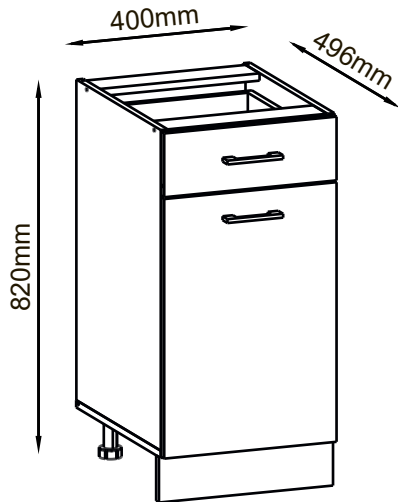


MALIK 180



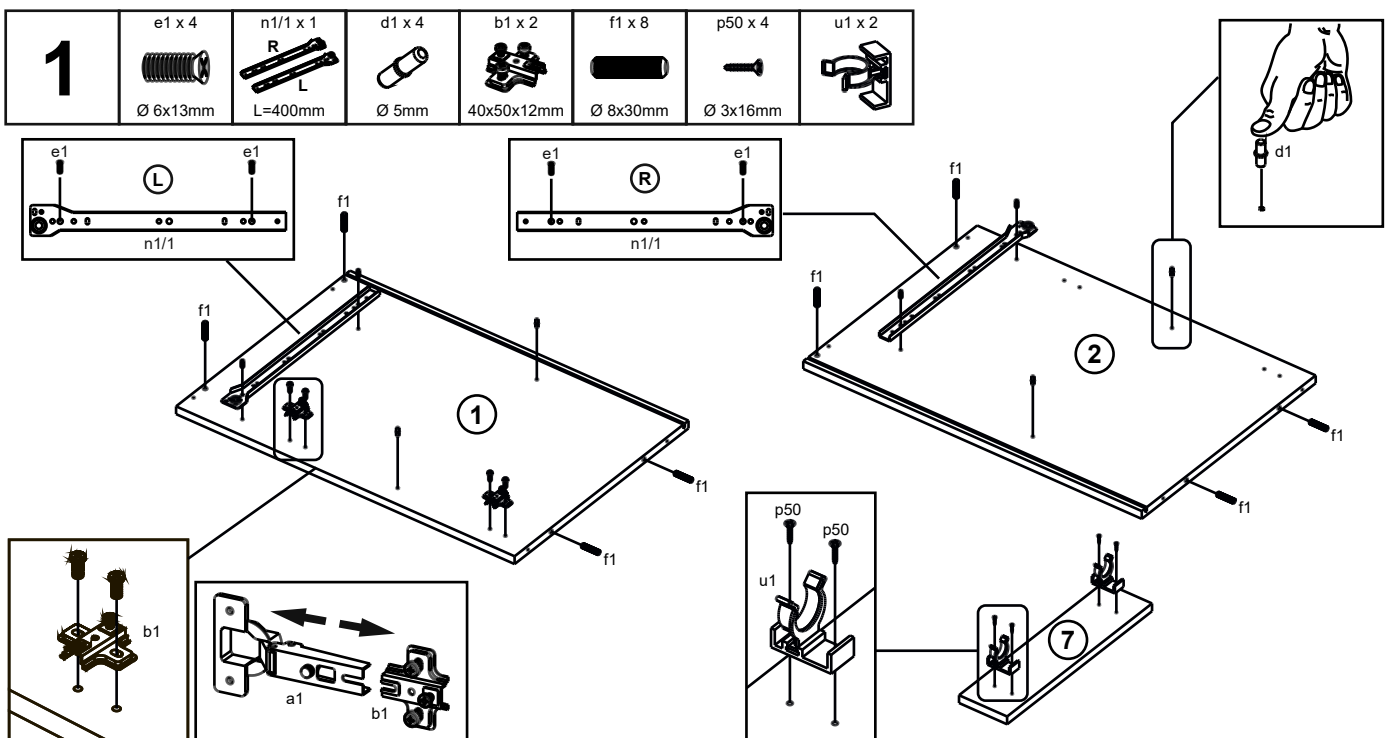
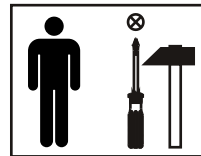
- 1 W80/57
- 2 W40/57
- 3 D80Z
- 4 D40S1
- 5 Worktop 40

MALIK D40s1



1x 4mm z1	12x Ø 6,3x50mm e27	12x Ø 12mm s3
8x Ø 8x30mm f1	4x 45mm r23	4x Ø 15x12mm r1
4x Ø 20mm s1	2x Ø 35mm ab1	4x Ø 5mm d1
1x L=400mm n1/1	1x L=400mm n1/2	2x L=96/128mm c238
4x h=100mm k52	2x u1	7x 10x10x15mm i2
10x Ø 2x20mm g1	24x Ø 3x16mm p50	4x Ø 3,5x16mm p51
4x Ø 4x25mm p26		4x Ø 6x13mm e1

A	B (mm)		C	D
1	704	480	16	x1 4/6
2	704	480	16	x1 4/6
3	367	80	16	x2 4/6
4	400	480	16	x1 4/6
5	710	382	2.5	x1 4/6
6	366	450	16	x1 4/6
7	400	100	16	x1 4/6
8	400	80	16	x1 4/6
9	400	80	16	x1 4/6
10	311	80	16	x1 4/6
11	406	342	2.5	x1 4/6
12	396	140	16	x1 6/6
13	570	396	16	x1 6/6



2	z1 x 1 4mm	e27 x 4 Ø 6,3x50mm	s3 x 4 Ø 12mm
----------	---------------	-----------------------	------------------

z1

e27

e27

s3

3	z1 x 1 4mm	e27 x 4 Ø 6,3x50mm	s3 x 4 Ø 12mm
----------	---------------	-----------------------	------------------

z1

e27

e27

s3

4	g1 x 5 Ø 2x20mm	l2 x 7 10x10x15mm	p52 x 4 h=100mm
----------	--------------------	----------------------	--------------------

p50 x 16 Ø 3x16mm

g1

18mm

XX=YY=90°

l2

k52

p50

5	z1 x 1 4mm	e27 x 4 Ø 6,3x50mm	s3 x 4 Ø 12mm	r1 x 4 Ø 15x12mm	r23 x 4 45mm	s1 x 4 Ø 20mm	c238 x 1 L=96/128mm	p26 x 2 Ø 4x25mm	n1/2 x 1 R L L=400mm	p50 x 4 Ø 3x16mm	g1 x 5 Ø 2x20mm
----------	---------------	-----------------------	------------------	---------------------	-----------------	------------------	------------------------	---------------------	-------------------------------	---------------------	--------------------

r23

r1

s1

r1

r23

p26

c238

p50

n1/2

p50

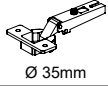
n1/2

Ø 5

12

6

a1 x 2



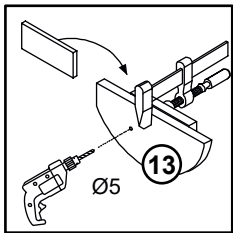
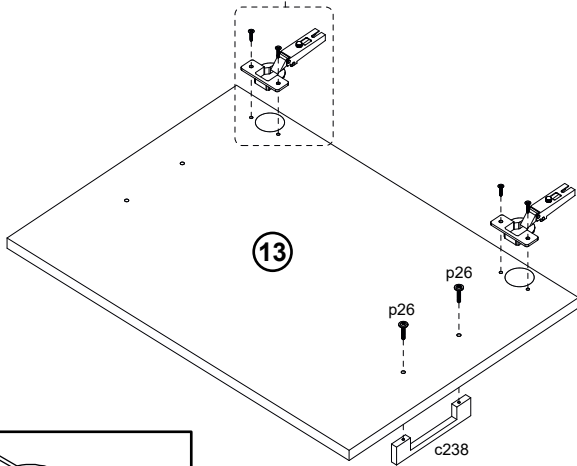
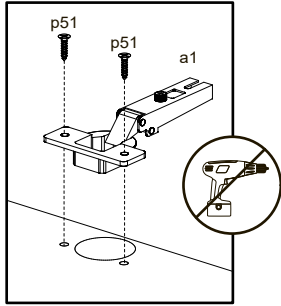
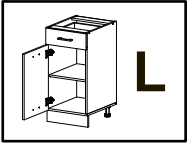
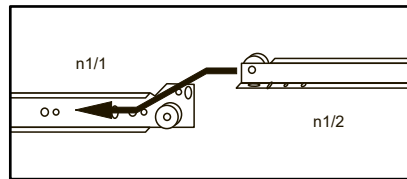
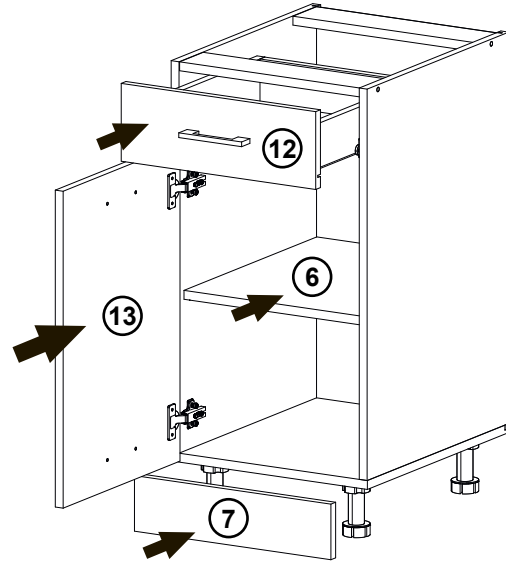
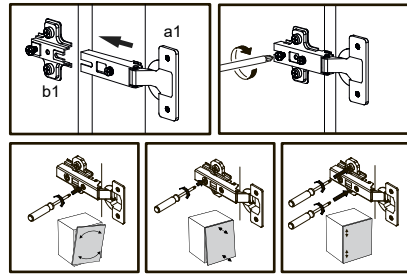
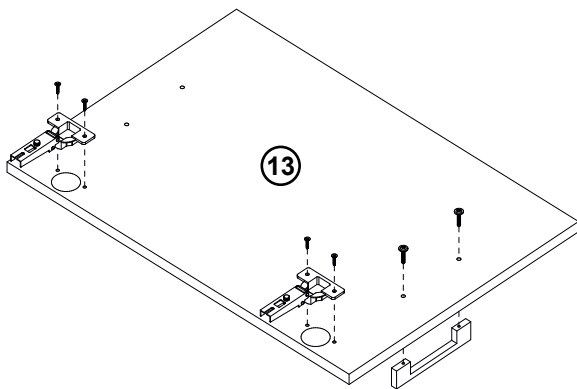
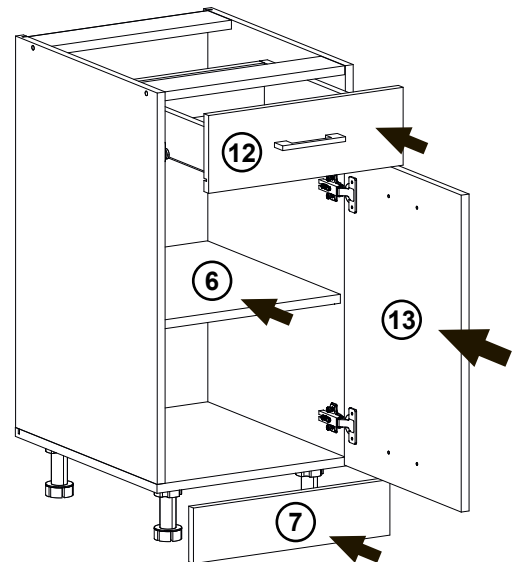
p51 x 4



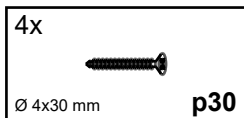
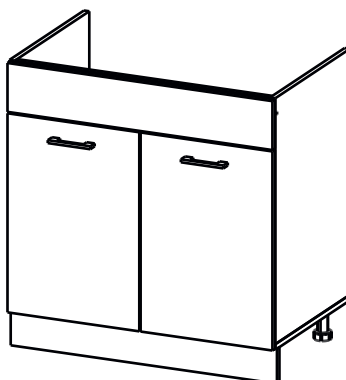
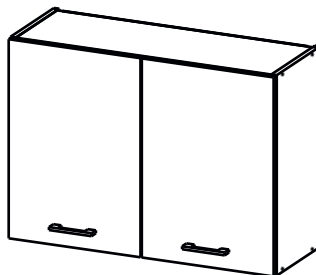
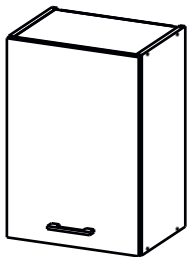
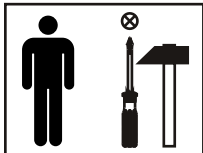
c238 x 1



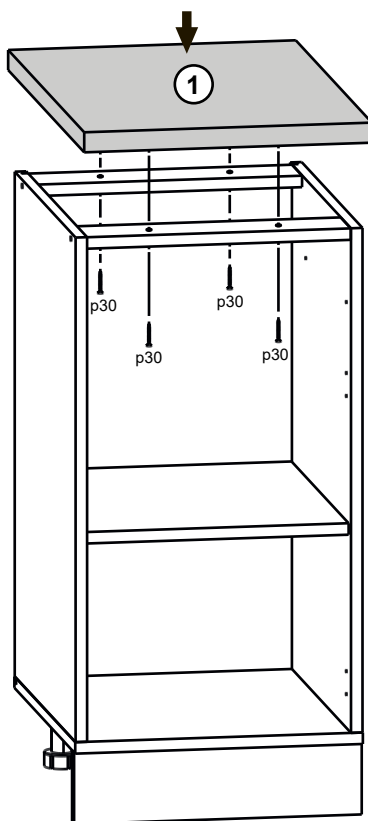
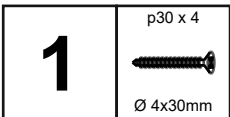
p26 x 2

**7****L****R****R**

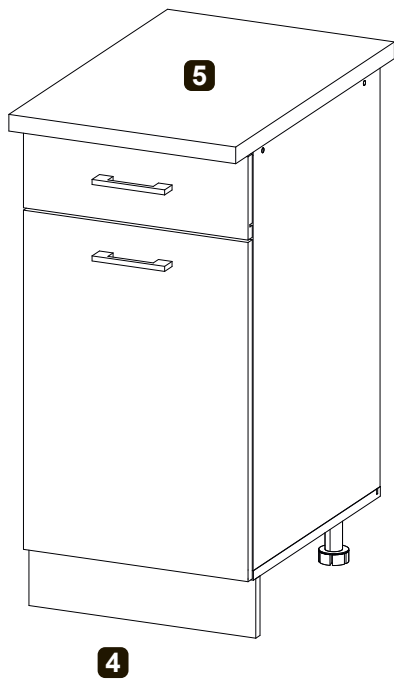
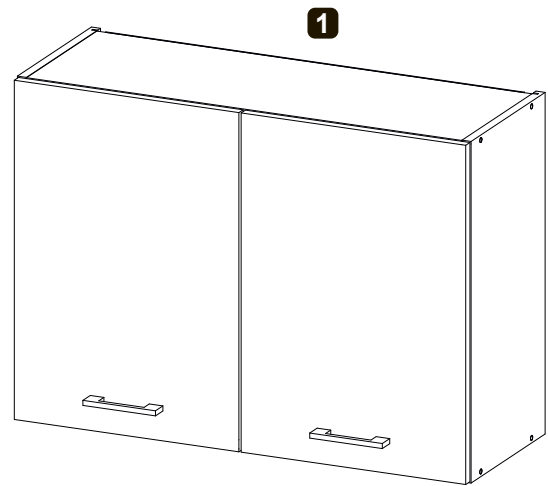
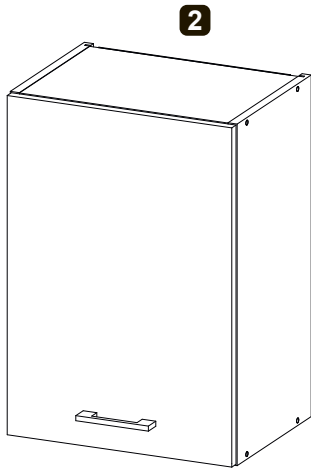
MALIK Worktop 40



A	B (mm)			C	D
1	400	600	28	x1	5/6

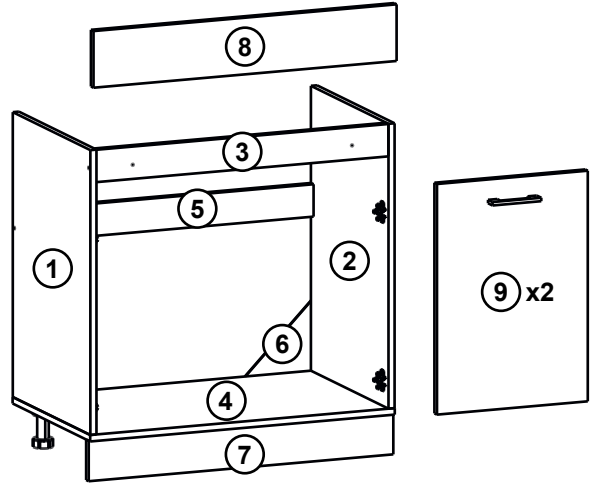
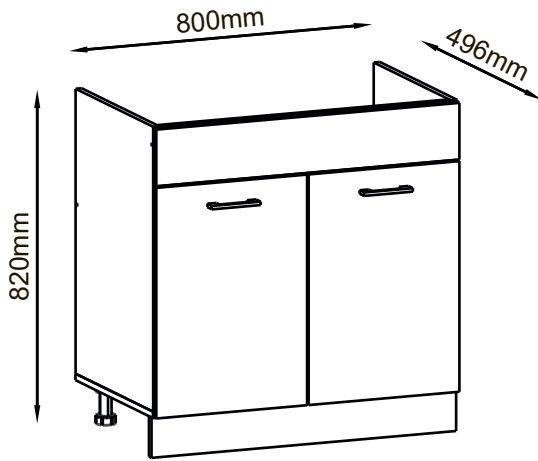


MALIK 180



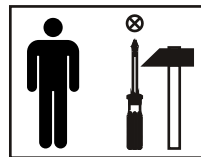
- 1** W80/57
- 2** W40/57
- 3** D80Z
- 4** D40S1
- 5** Worktop 40

MALIK D80z

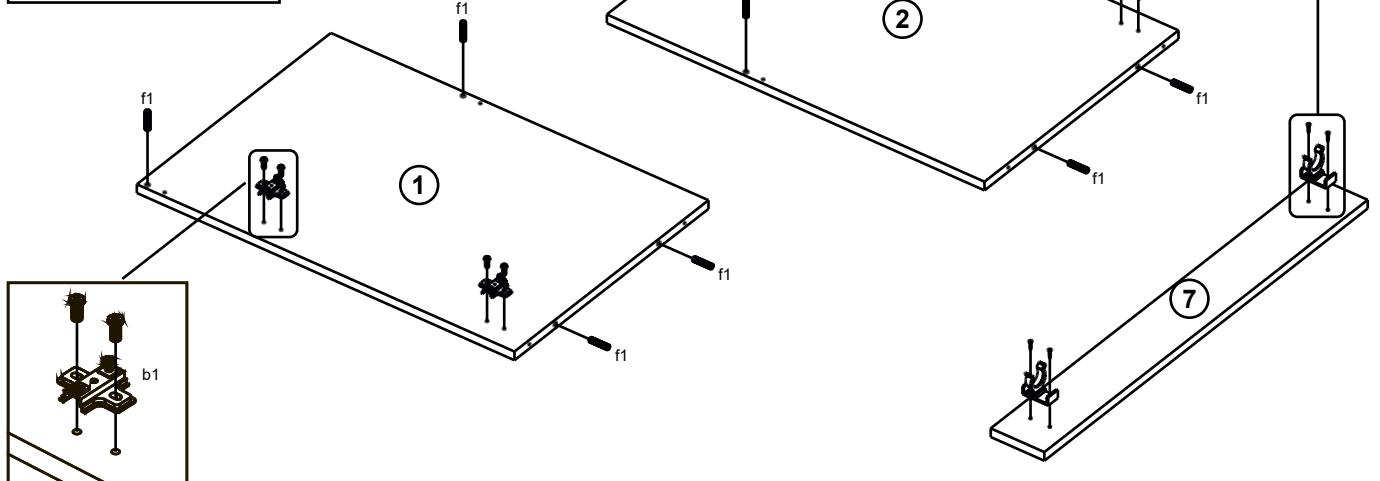
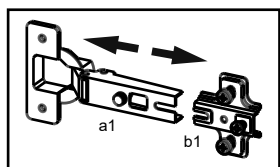


1x 4mm z1	8x Ø 6,3x50mm e27	8x Ø 12mm s3
8x Ø 8x30mm f1	4x Ø 35mm ab1	2x L=96/128mm c238
4x h=100mm k52	2x u1	12x Ø 2x20mm g1
4x Ø 4x25mm p26	20x Ø 3x16mm p50	8x Ø 3,5x16mm p51
	2x Ø 4x30 mm p30	

A	B (mm)		C	D
1	704	480	16	x1 3/6
2	704	480	16	x1 3/6
3	767	80	16	x1 3/6
4	800	480	16	x1 3/6
5	767	80	16	x1 3/6
6	200	200	2.5	x2 3/6
7	800	100	16	x1 3/6
8	796	140	16	x1 6/6
9	570	396	16	x2 6/6



1	b1 x 4 40x50x12mm	f1 x 8 Ø 8x30mm	p50 x 4 Ø 3x16mm	u1 x 2
----------	--------------------------	------------------------	-------------------------	------------



2	z1 x 1 4mm	e27 x 4 Ø 6,3x50mm	s3 x 4 Ø 12mm
----------	---------------	-----------------------	------------------

3	z1 x 1 4mm	e27 x 4 Ø 6,3x50mm	s3 x 4 Ø 12mm
----------	---------------	-----------------------	------------------

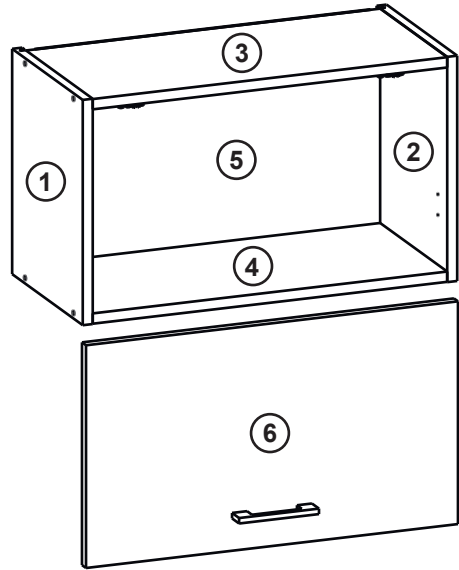
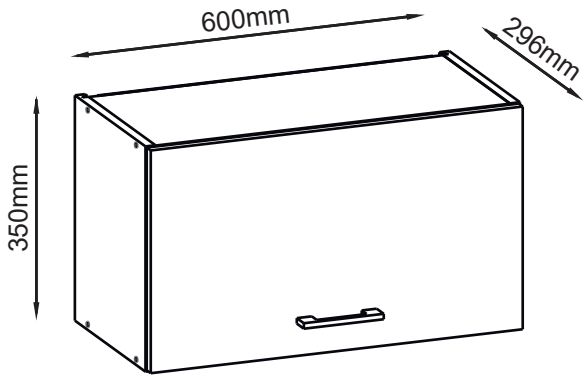
4	g1 x 12 Ø 2x20mm	p50 x 16 Ø 3x16mm
----------	---------------------	----------------------

p52 x 4 h=100mm

5	a1 x 4 Ø 35mm	p51 x 8 Ø 3,5x16mm	c238 x 2 L=96/128mm	p26 x 4 Ø 4x25mm
----------	------------------	-----------------------	------------------------	---------------------

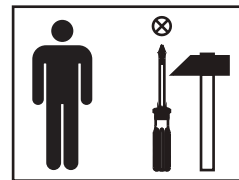
6	p30 x 2 Ø 4x30mm
----------	---------------------

MALIK Wo60_35

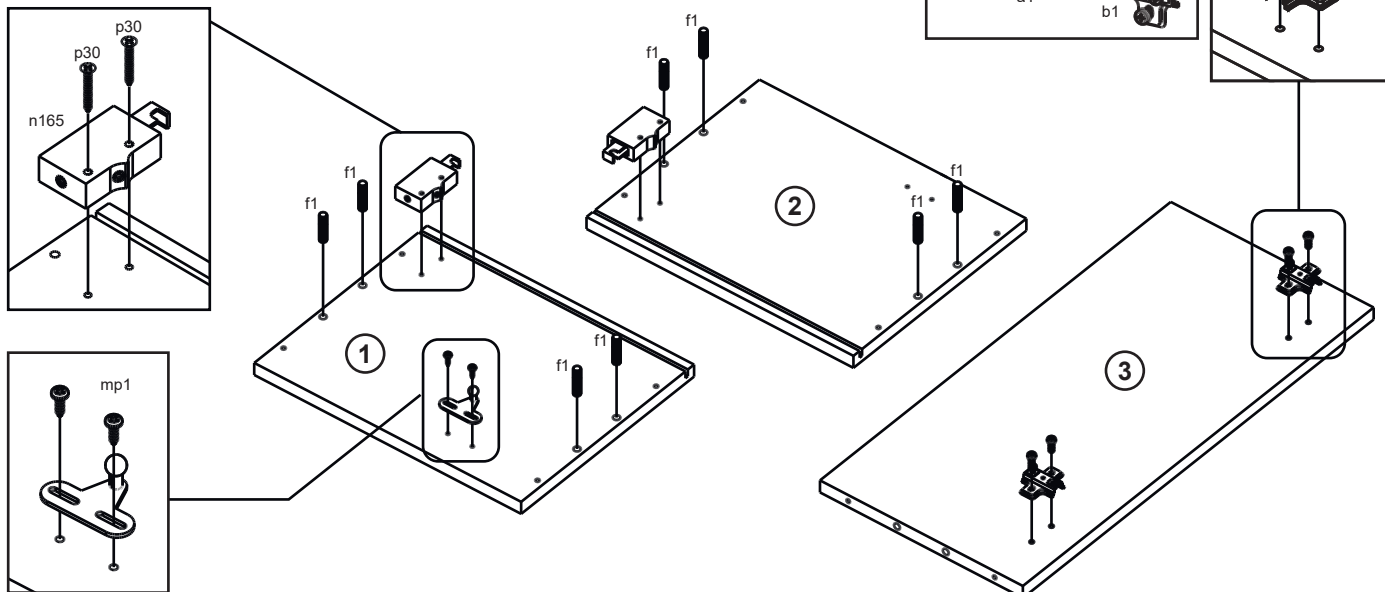
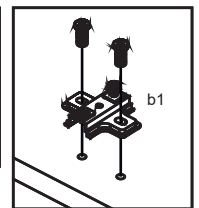
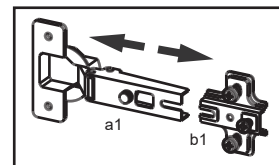


1x 4mm z1	8x Ø 6,3x50mm e27	8x Ø 12mm s3
8x Ø 8x30mm f1	2x Ø 35mm ab1	1x x4 mp
2x n165	1x L=96/128mm c238	4x 10x10x15mm l2
6x Ø 2x20mm g1	4x Ø 3,5x16mm p51	2x Ø 4x25mm p26
	4x Ø 4x30 mm p30	

A	B (mm)		C	D
1	350	280	16	x1 1/1
2	350	280	16	x1 1/1
3	568	266	16	x1 1/1
4	568	280	16	x1 1/1
5	582	340	2.5	x1 1/1
6	596	346	16	x1 1/1



1	n165 x 2 	p30 x 4 Ø 4x30mm 	mp1 x 1 x2 	b1 x 2 40x50x12mm 	f1 x 8 Ø 8x30mm
----------	--------------	-------------------------	-------------------	--------------------------	------------------------



2	z1 x 1 4mm	e27 x 8 Ø 6,3x50mm	s3 x 8 Ø 12mm
----------	---------------	-----------------------	------------------

3	g1 x 6 Ø 2x20mm	l2 x 4 10x10x15mm
----------	--------------------	----------------------

4	a1 x 2 Ø 35mm	p51 x 4 Ø 3,5x16mm	c238 x 1 L=96/128mm	p26 x 2 Ø 4x25mm	mp2 x 1 x2
----------	------------------	-----------------------	------------------------	---------------------	---------------

L

5	mp3 x 1
----------	---------

L

R

R

6

