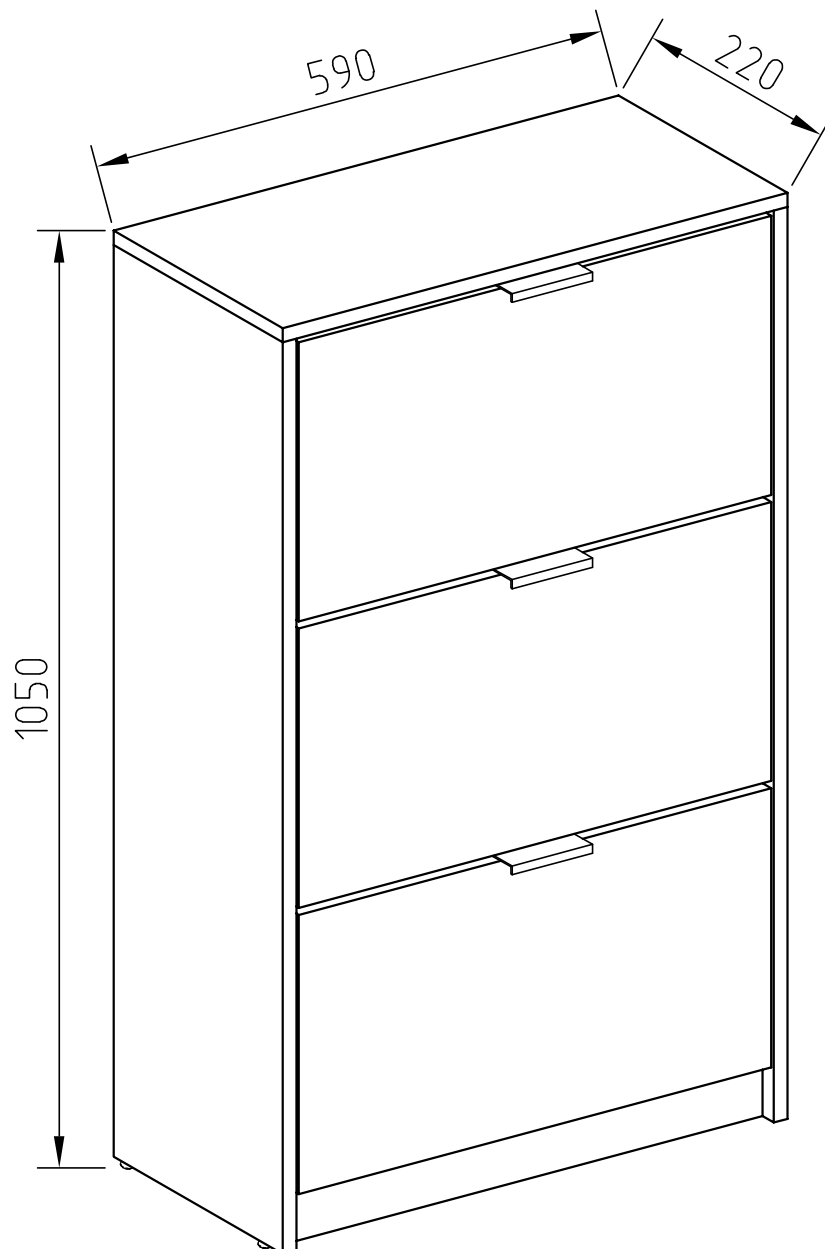
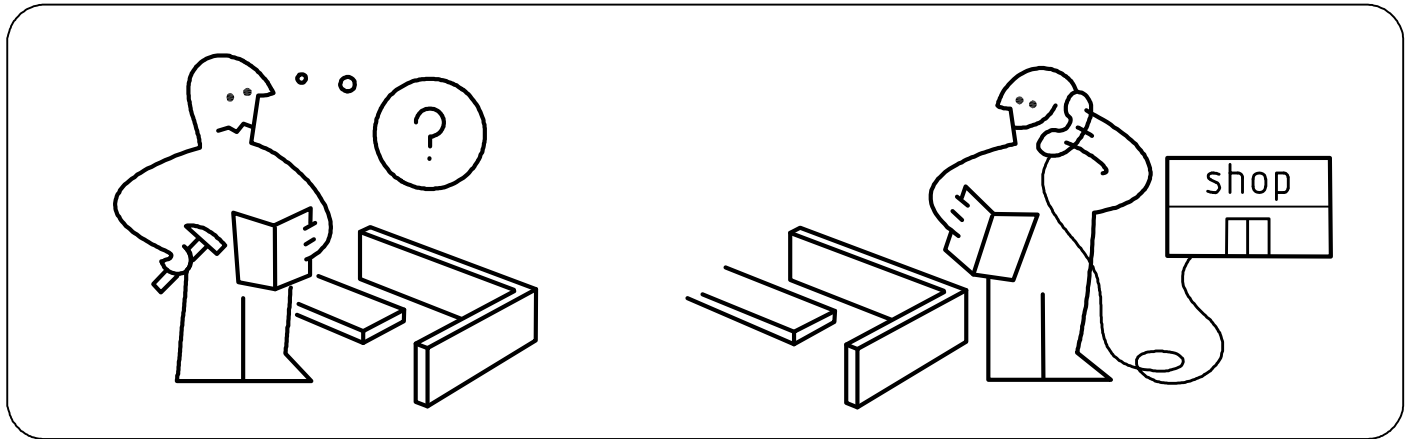
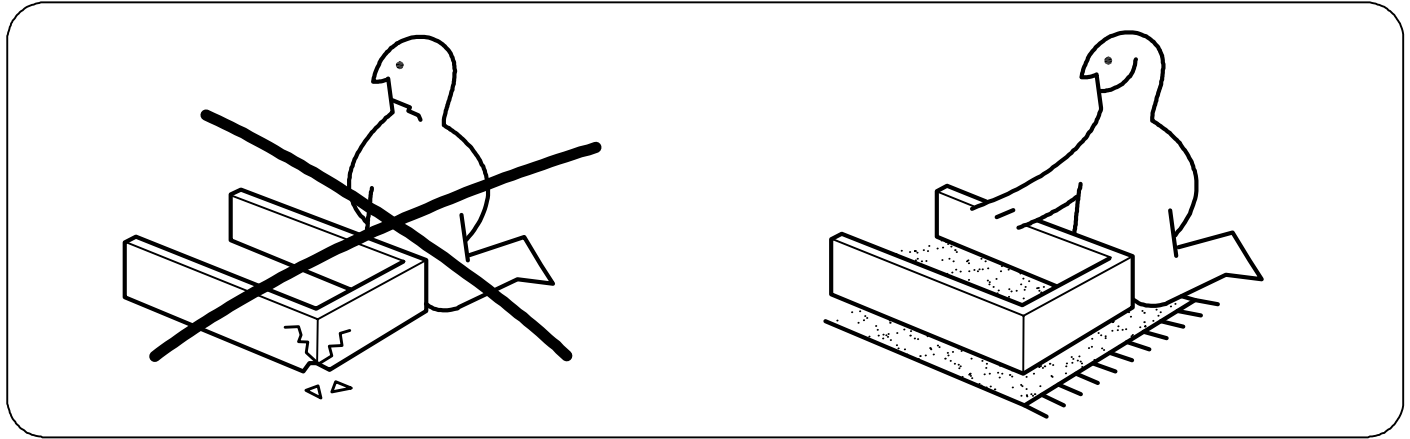
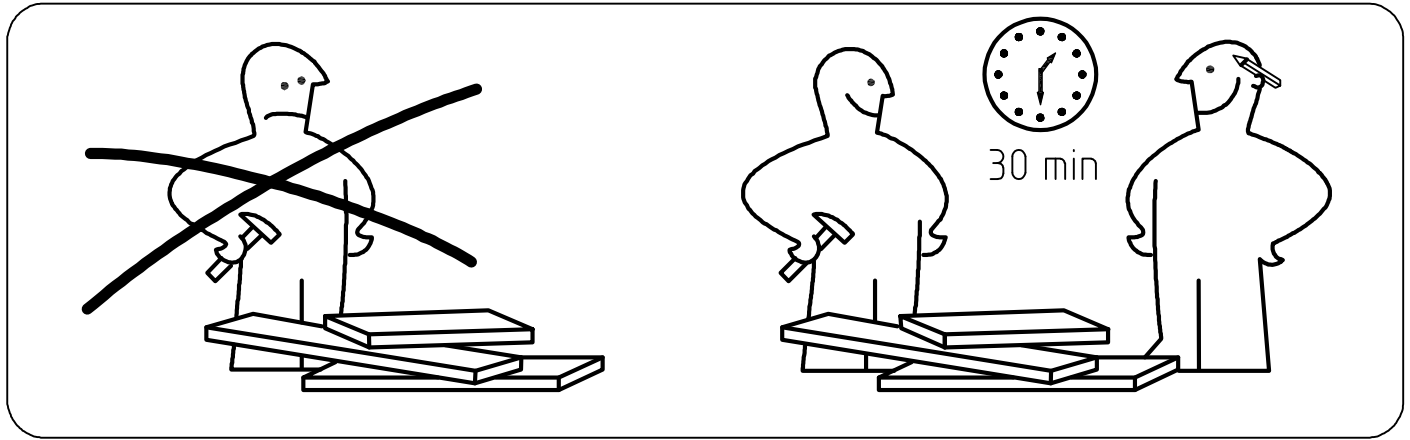
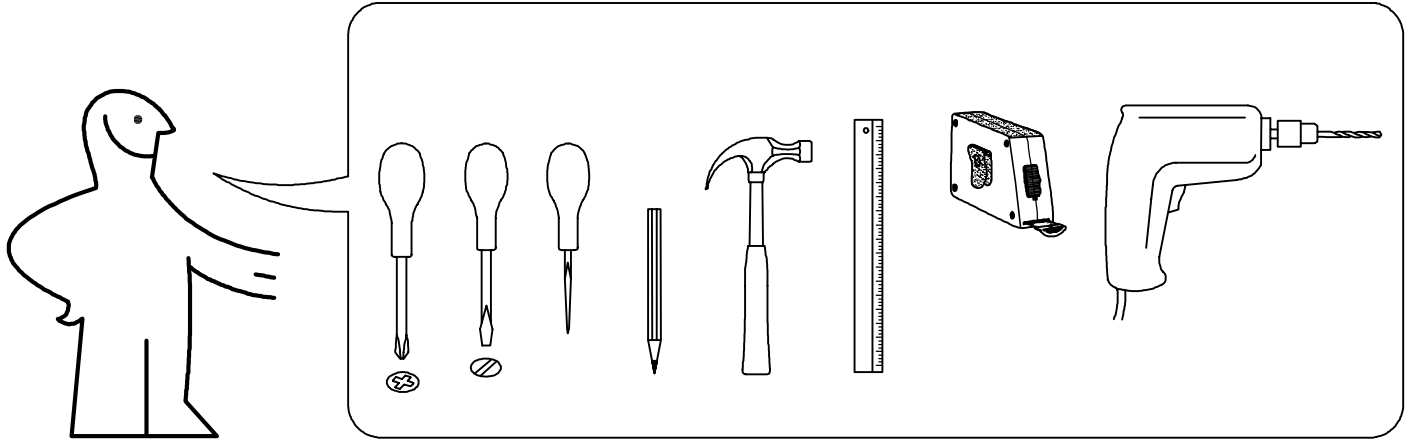




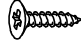



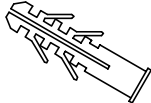
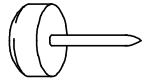
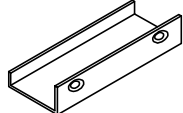
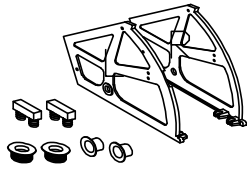
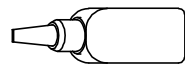



Shoe cabinet

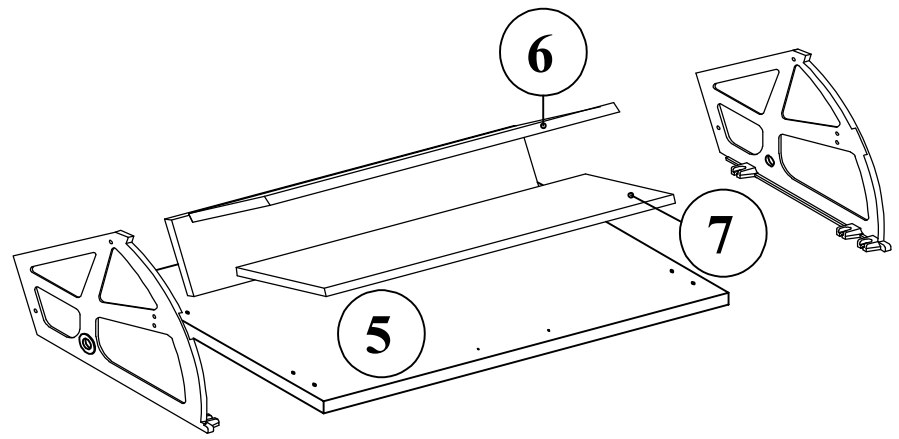
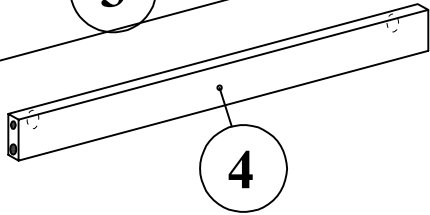
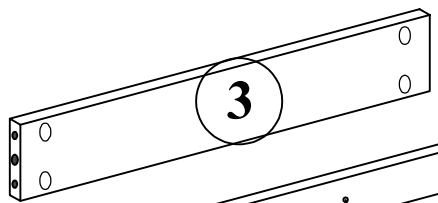
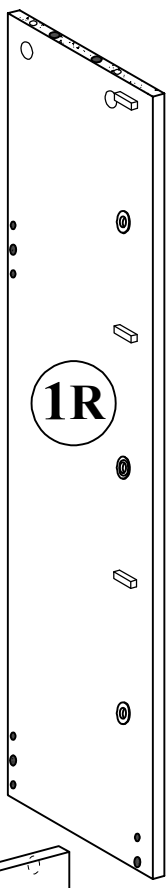
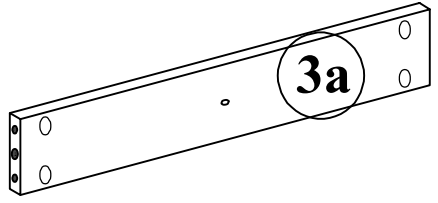
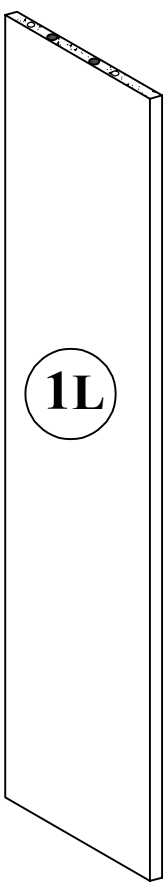
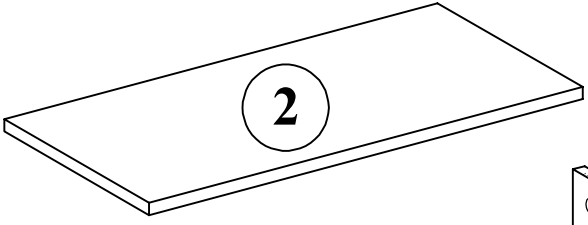
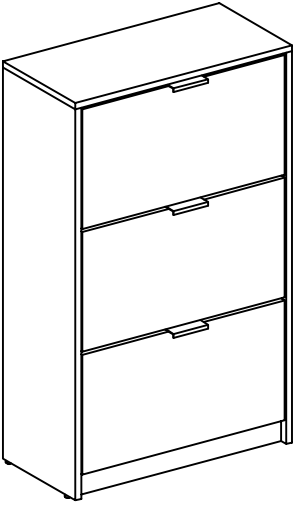
LILON








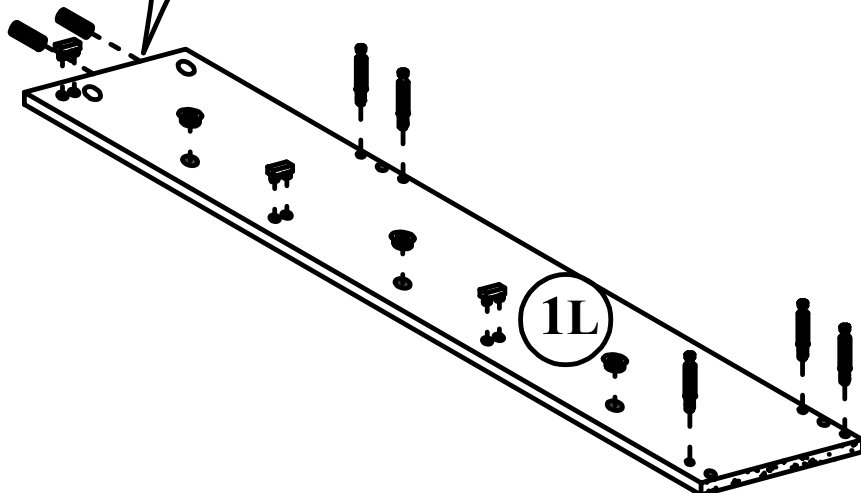
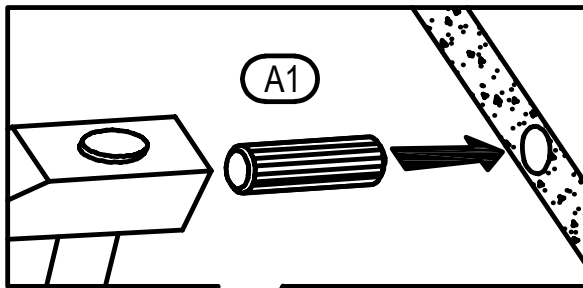
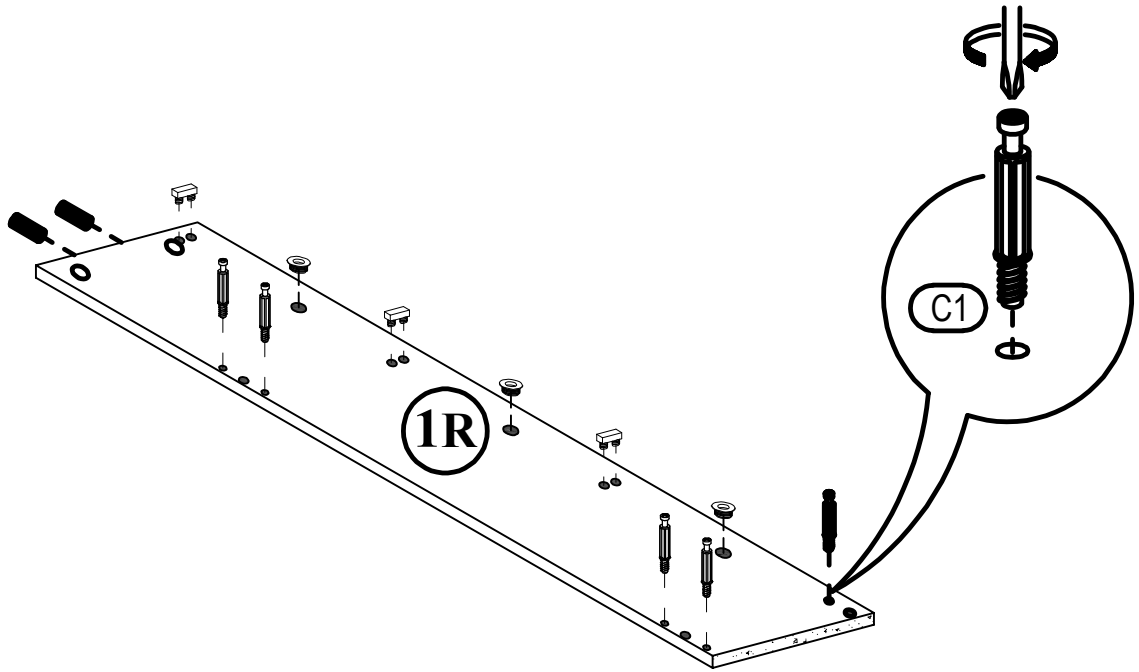
 (A1) 8*30mm x10	 (C1) 5*30mm x14	 (D) x14
 (D1) 16mm x14	 (E5) 3,5*16mm x24	 (E16) 5*50mm x1
 (F1) 6,3*13mm x18	 (F3) 5,0*13mm x6	 (H5) 8*40mm x1
 (K1) x4	 (I32) 64/94 x3	 (N2) x3
 (R1) x1		

No	a*b*c	x	N°→...
1L	1028x220x16	x1	1/1
1R	1028x220x16	x1	1/1
2	590x220x16	x1	1/1
3	558x100x16	x1	1/1
3a	558x100x16	x1	1/1
4	558x54x16	x1	1/1
5	552x313x16	x3	1/1
6	548x90x10	x3	1/1
7	548x142x10	x6	1/1
		x1	1/1





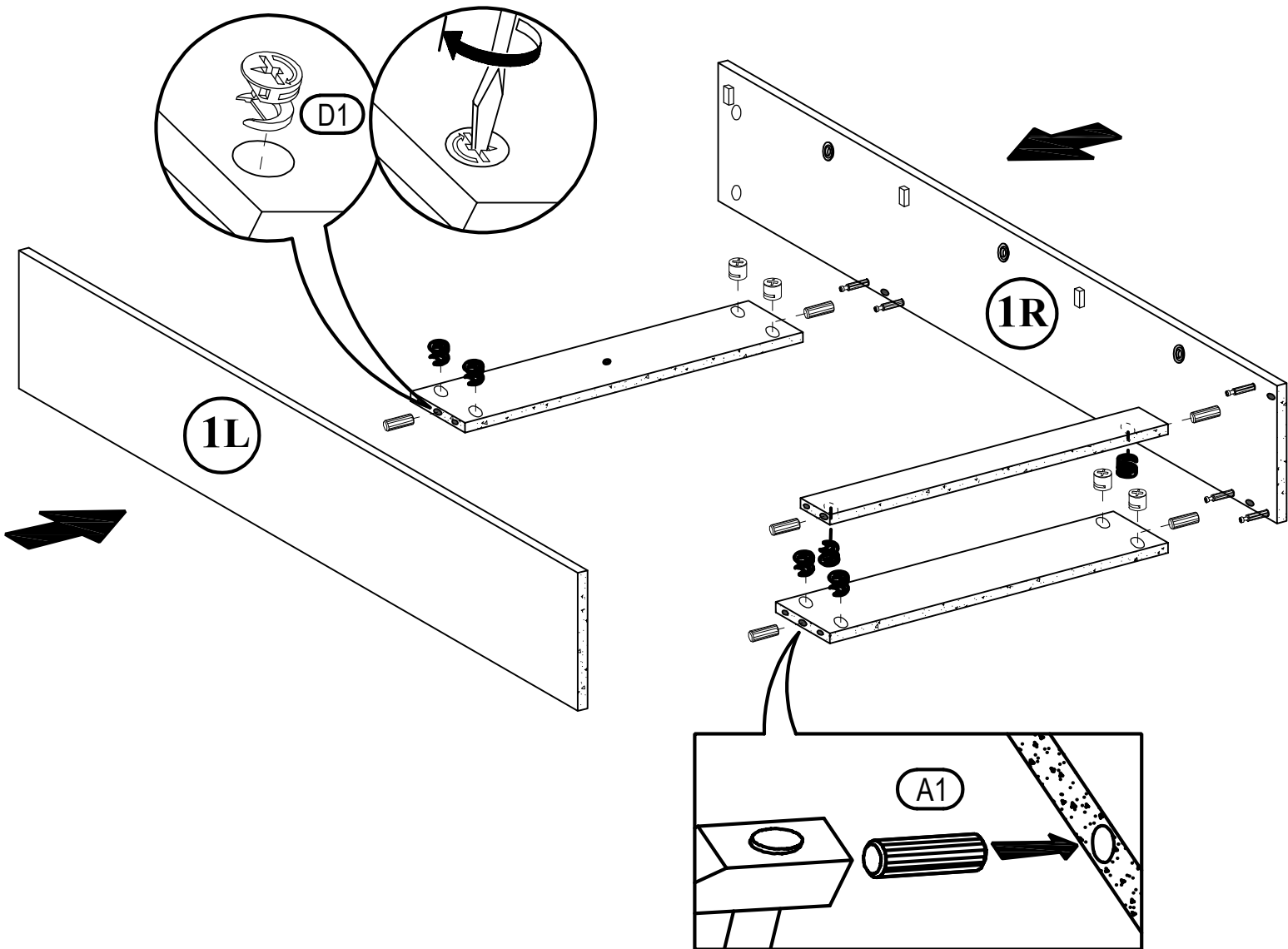
 A1 8*30mm x4	 C1 5*30mm x10	 N2 x6
---	--	---

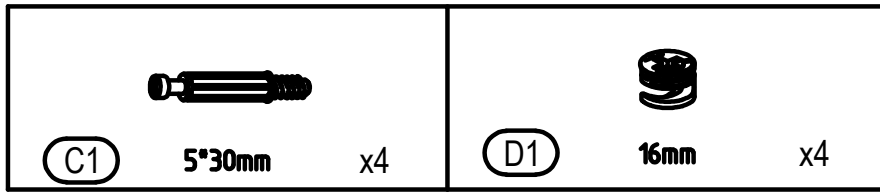
1



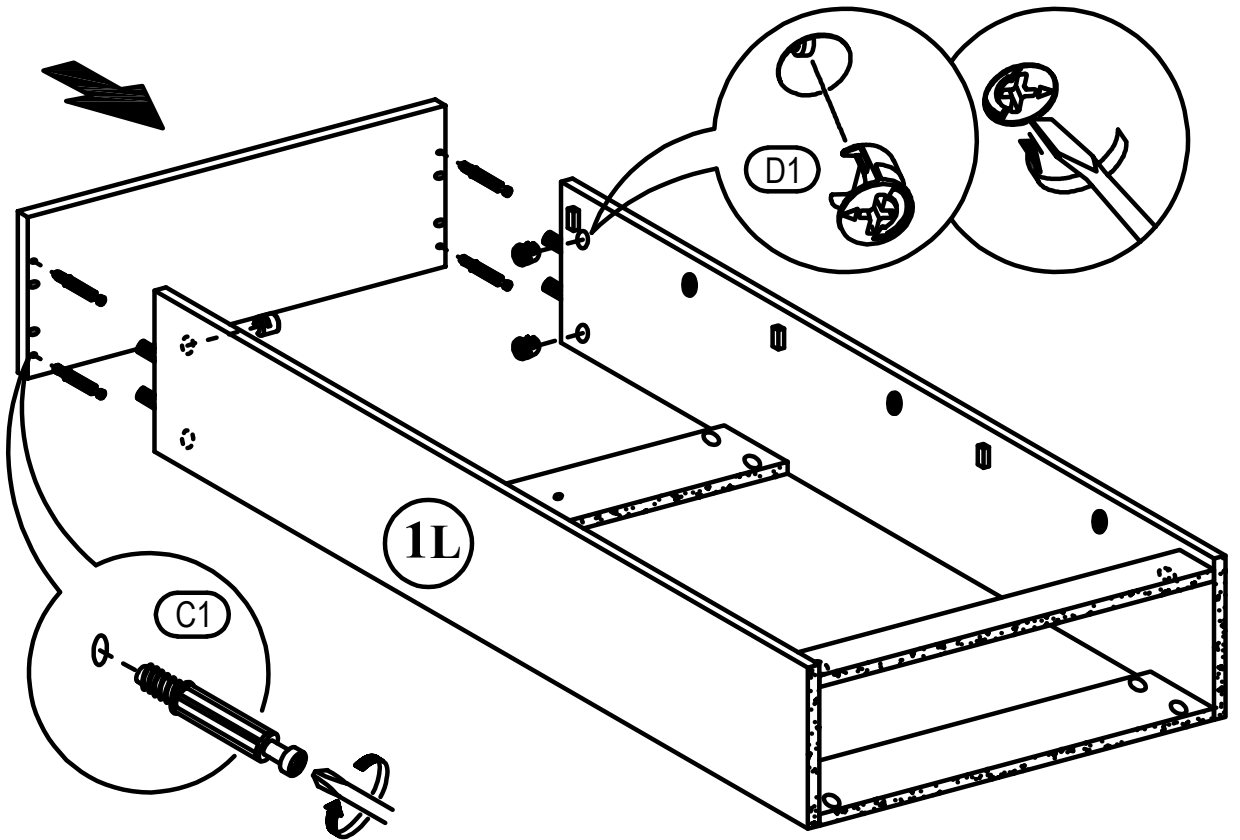
2

 A1 8*30mm x6	 D1 16mm x10
---	--

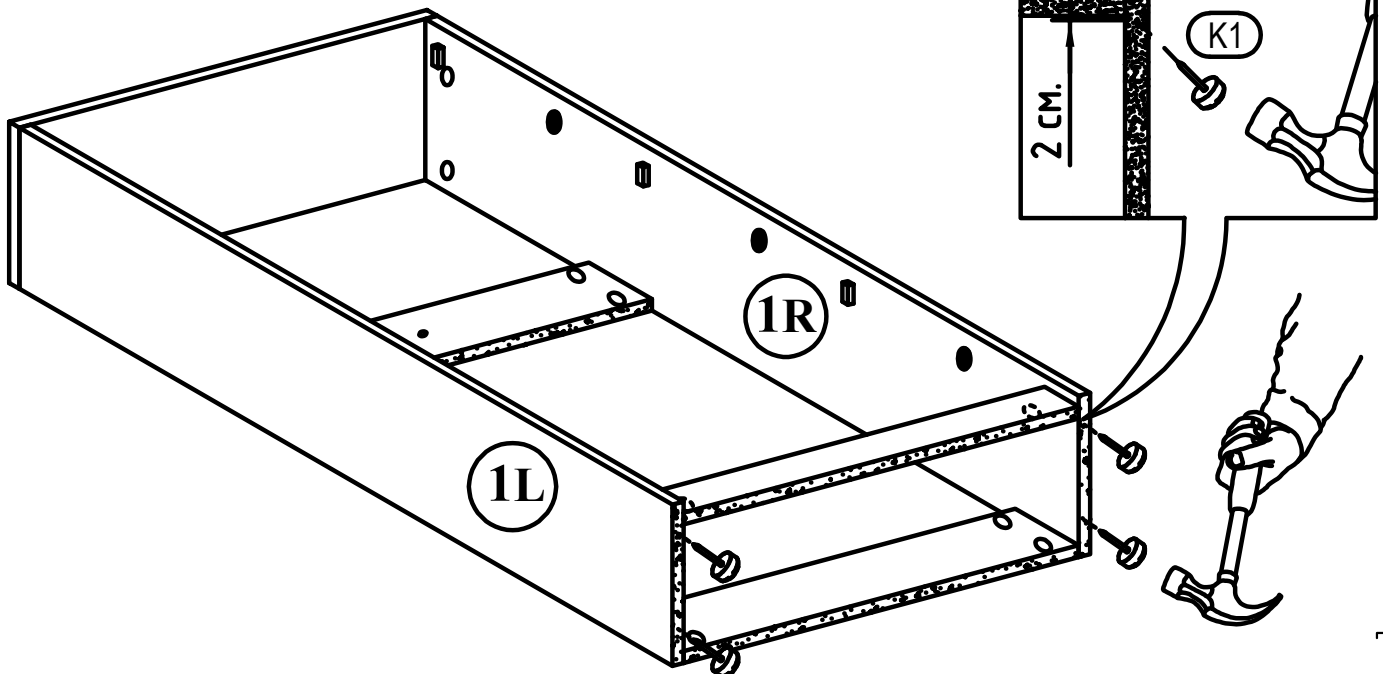
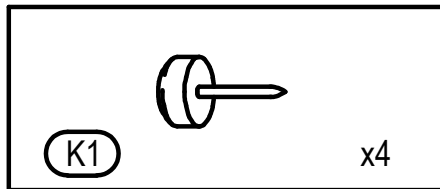


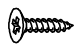

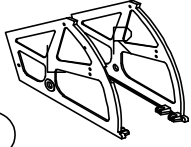


3



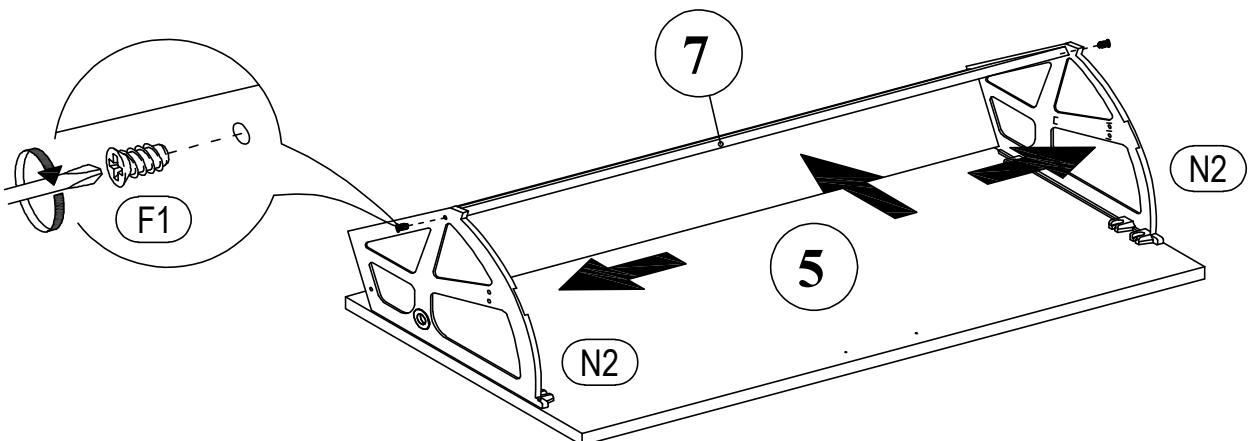
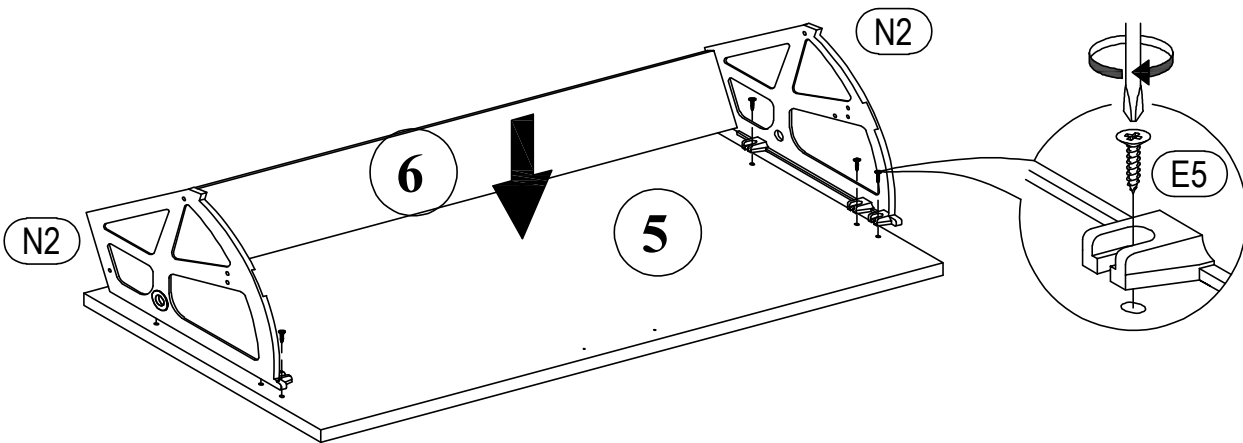
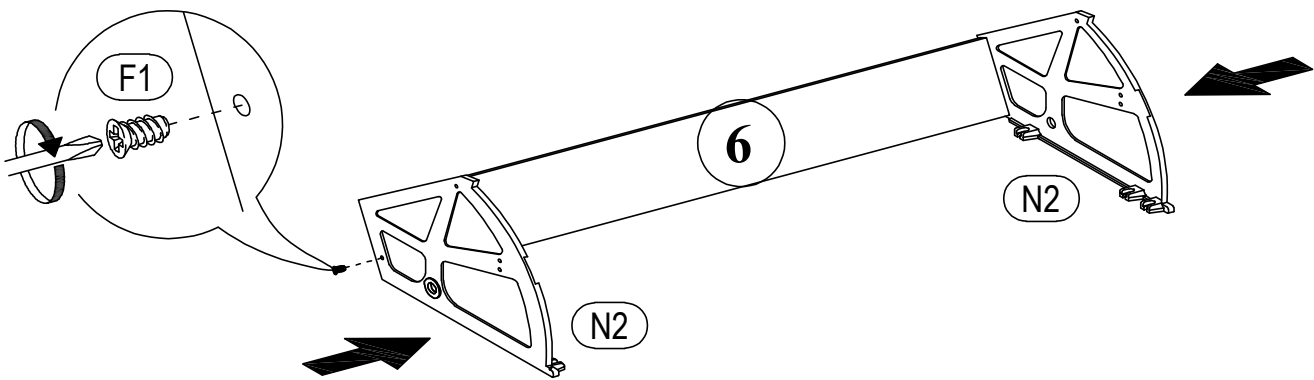
4




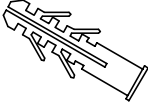
 (E5) 3,5*16mm x18	 (F1) 6,3*13mm x12	 (N2) x3
---	---	---

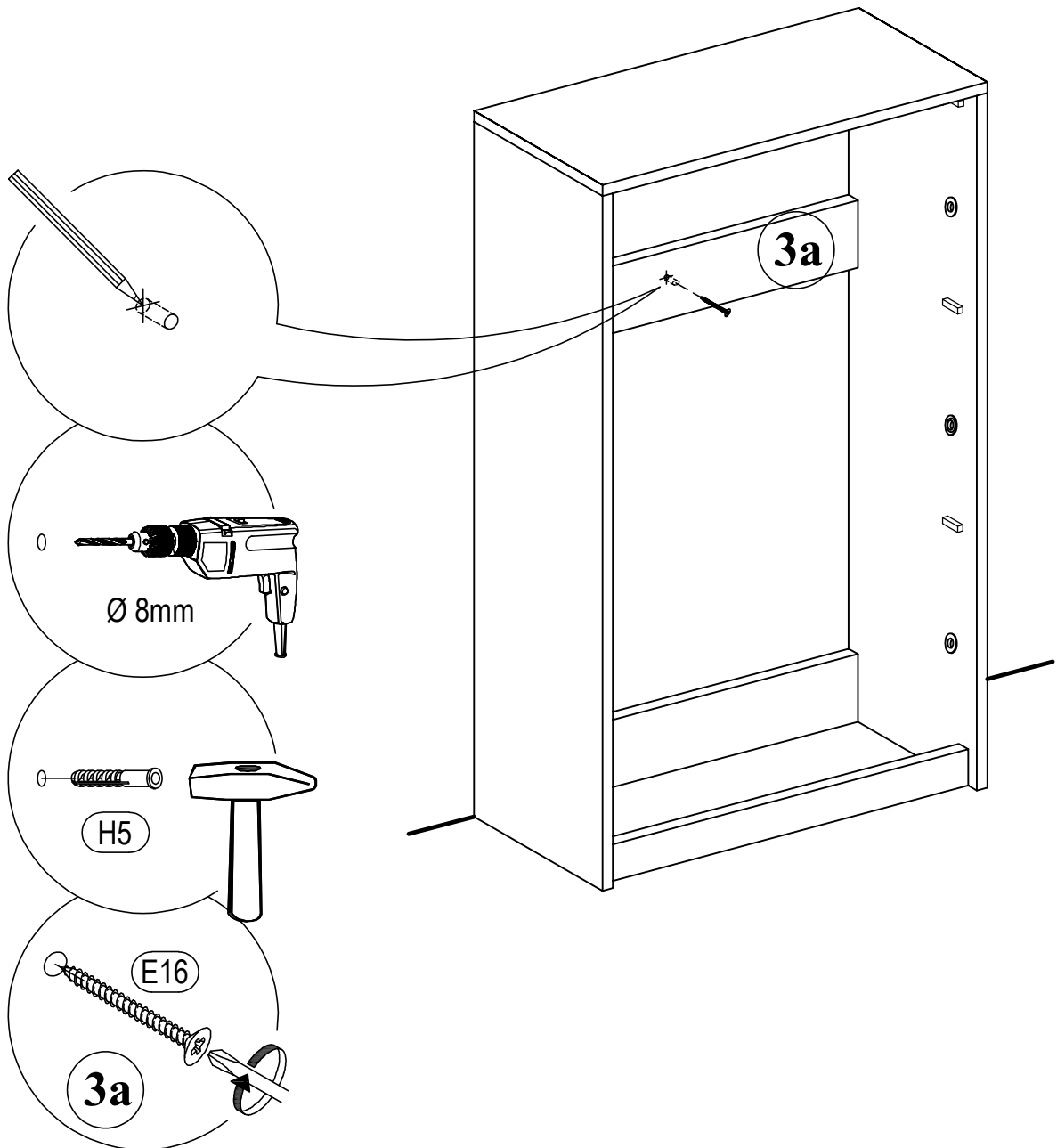
5



5 x3



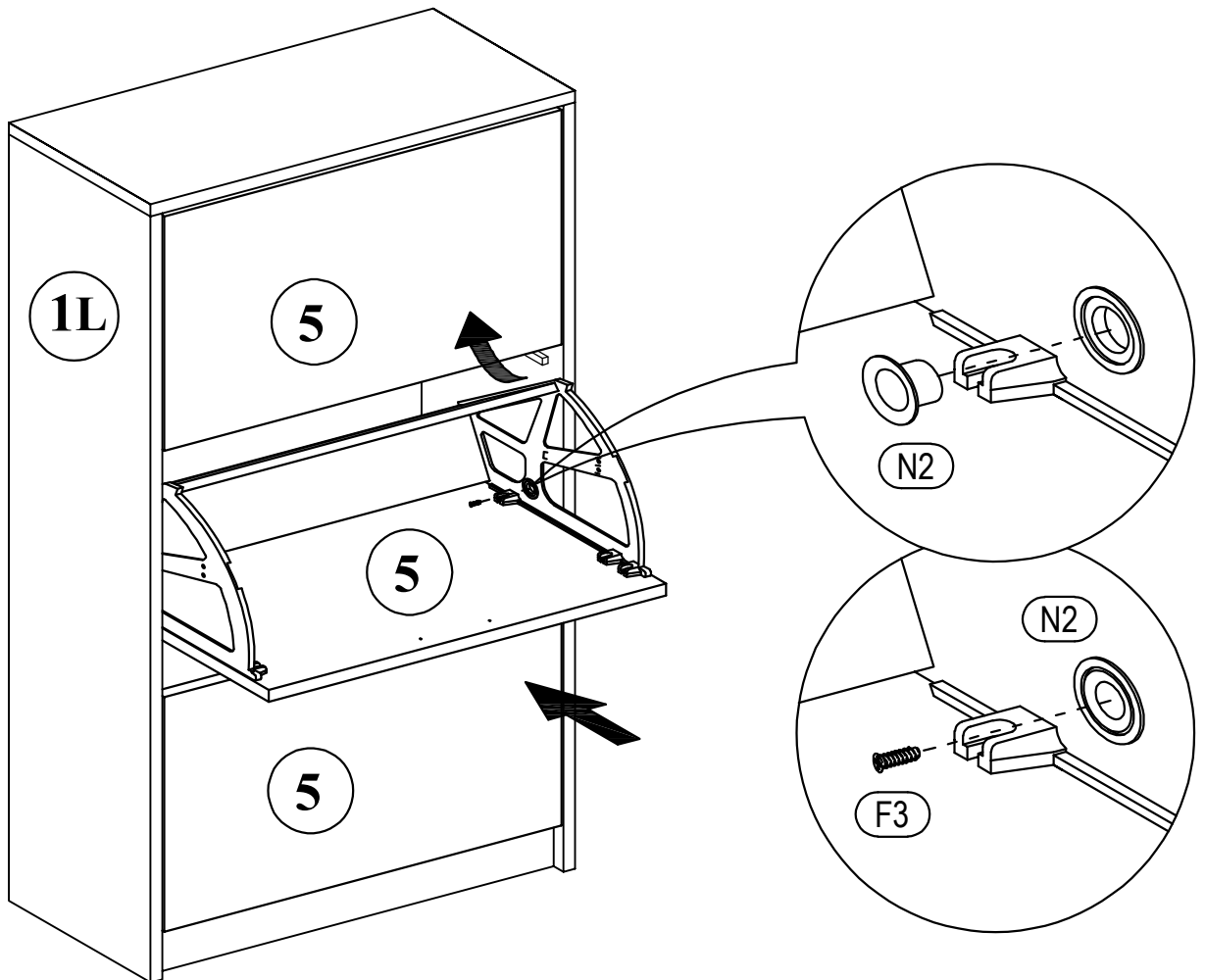
6



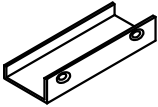
 (E16) 5*50mm x1	 (H5) 8*40mm x1
---	---



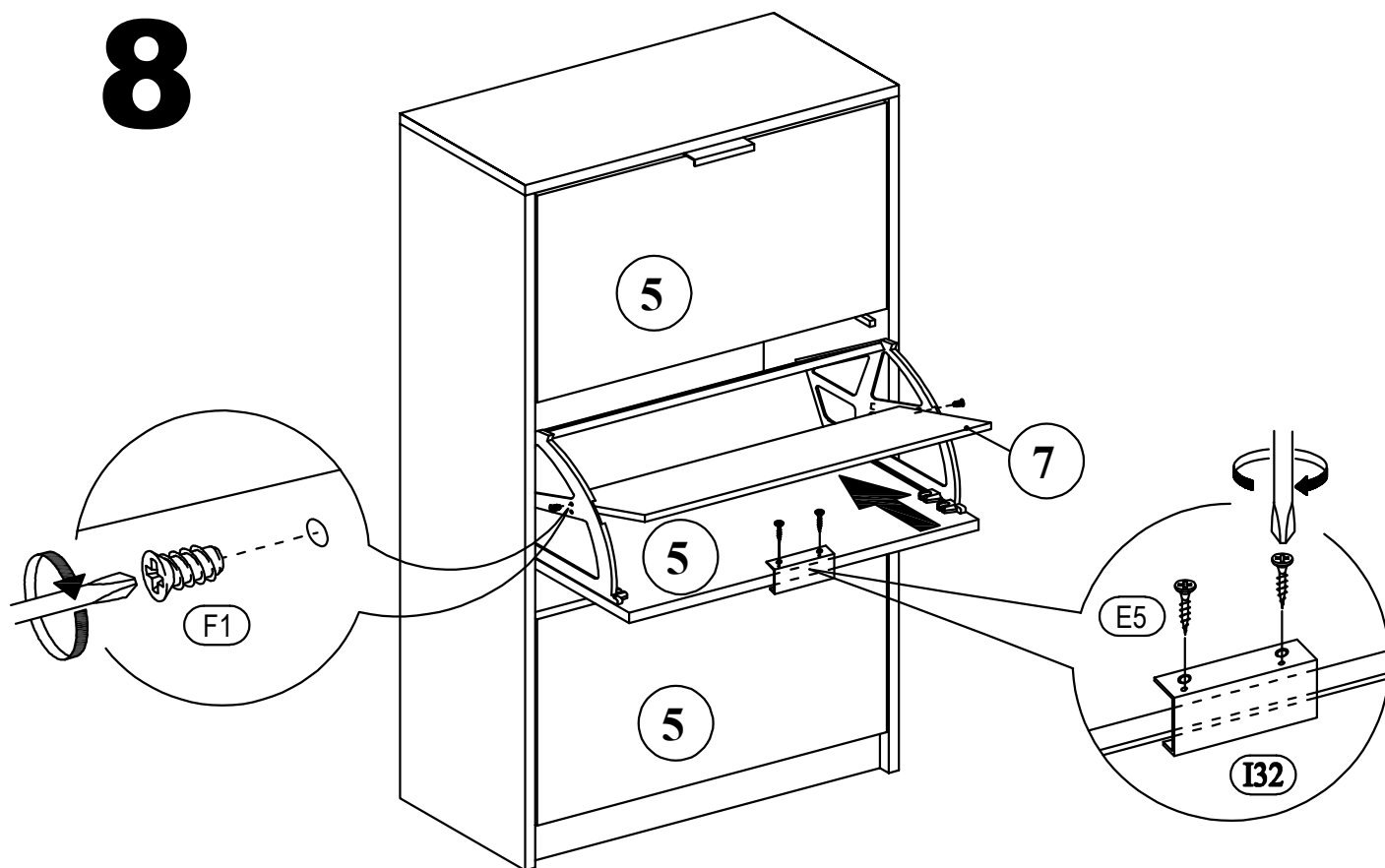
	
(F3) 5,0*13mm x6	(N2) x6

7



 (E5) 3,5*16mm x6	 (F1) 6,3*13mm x6	 (I32) 64/94 x3
--	--	--

8



9

