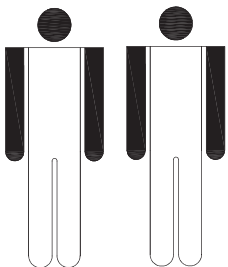
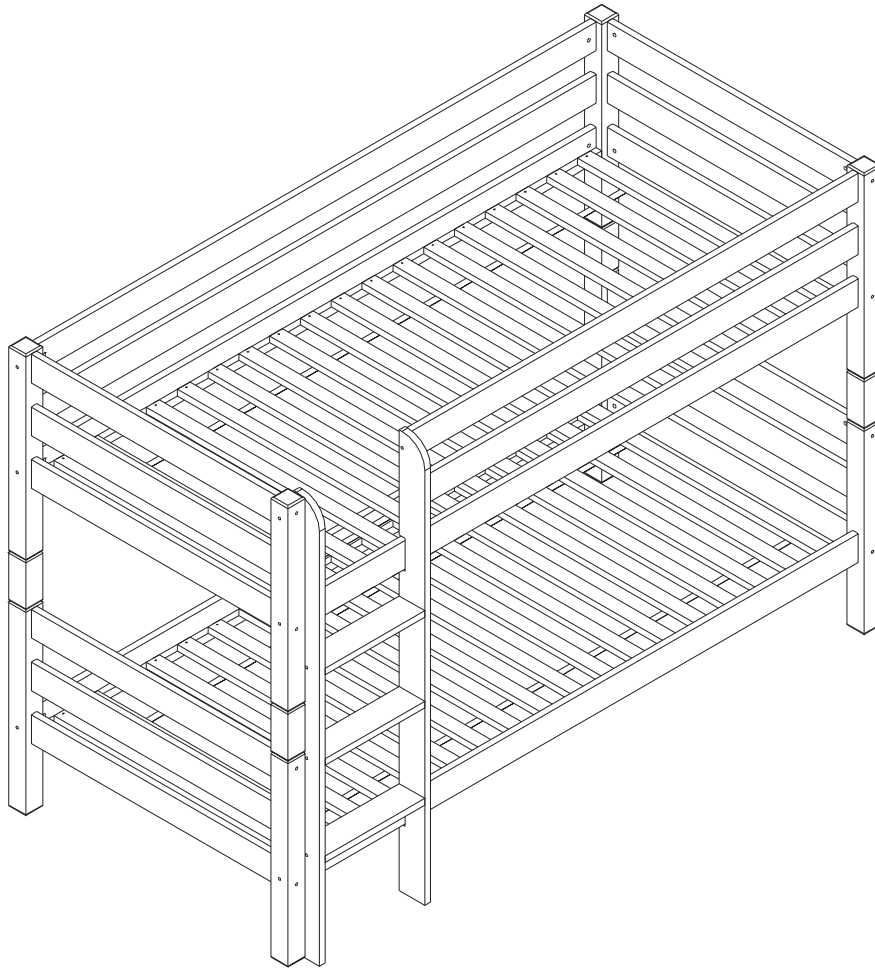
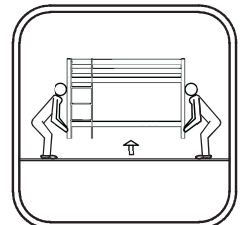
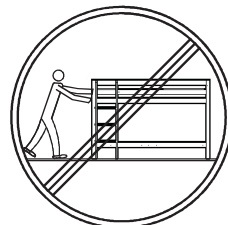
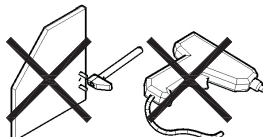
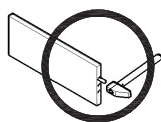
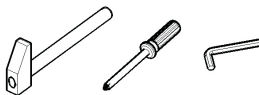
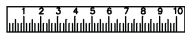


FORTRADE

ŠEMA MONTAŽE
Krevet "JANER"

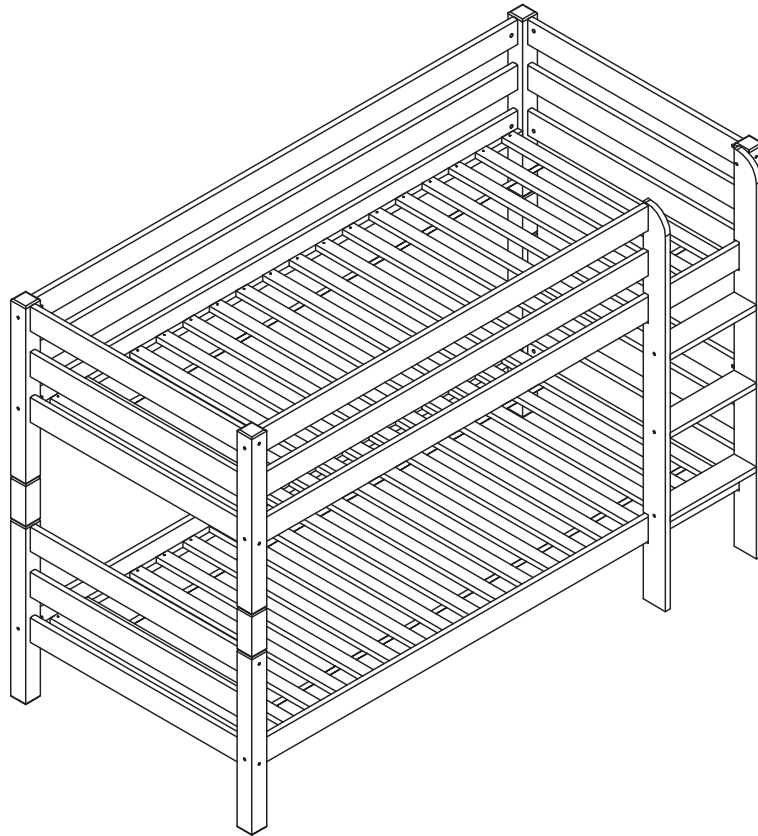


40'

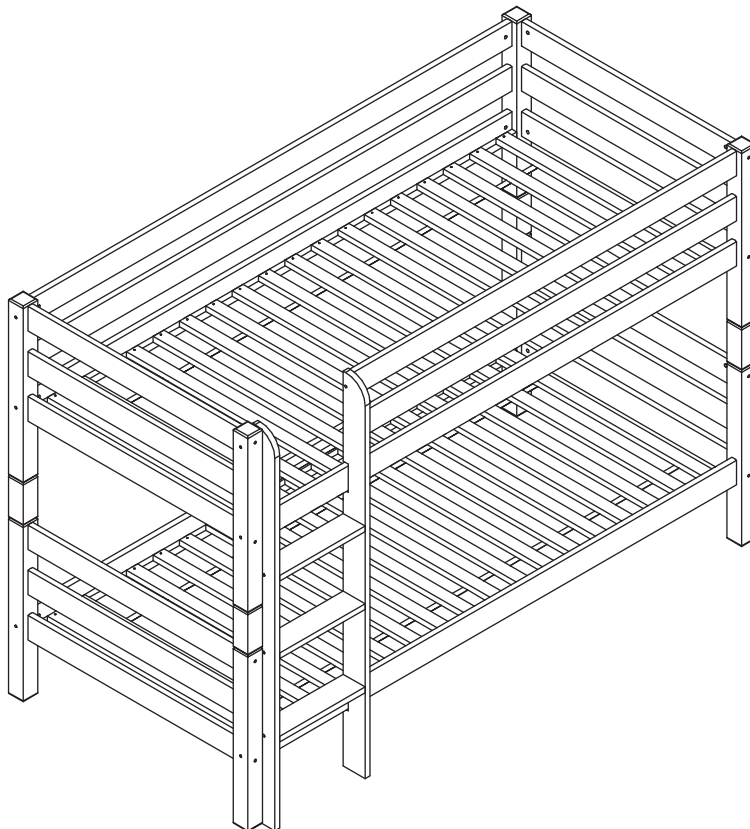


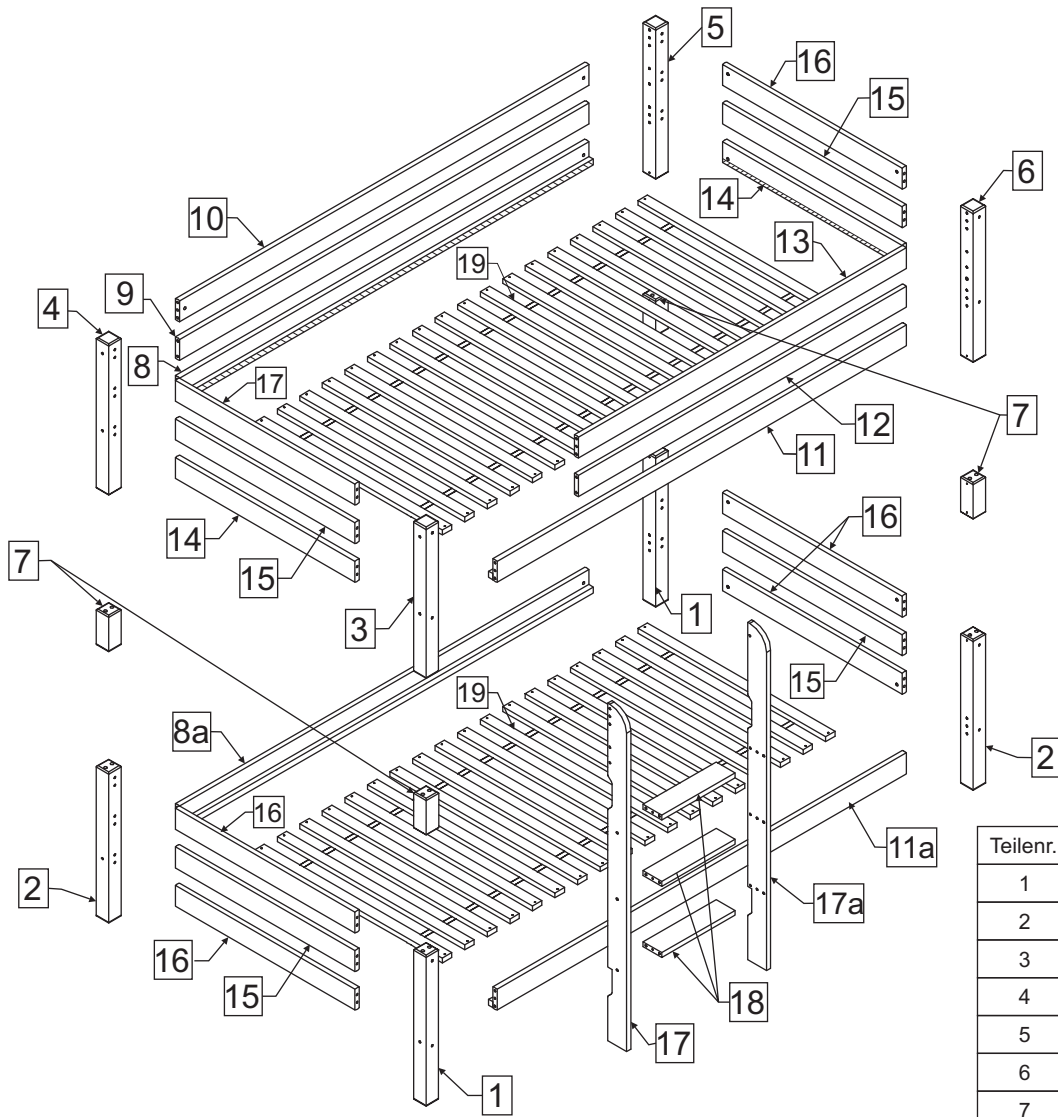
OPCIJE

OPCIJA_A

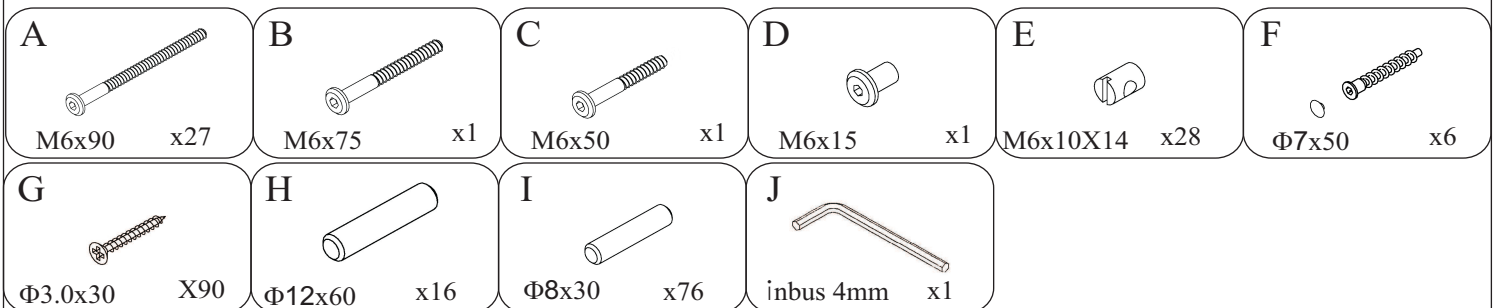
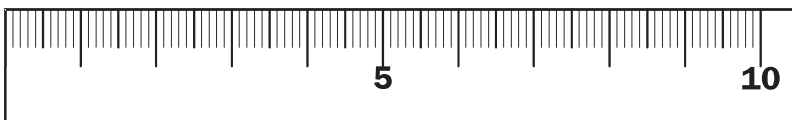
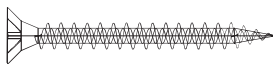


OPCIJA_B

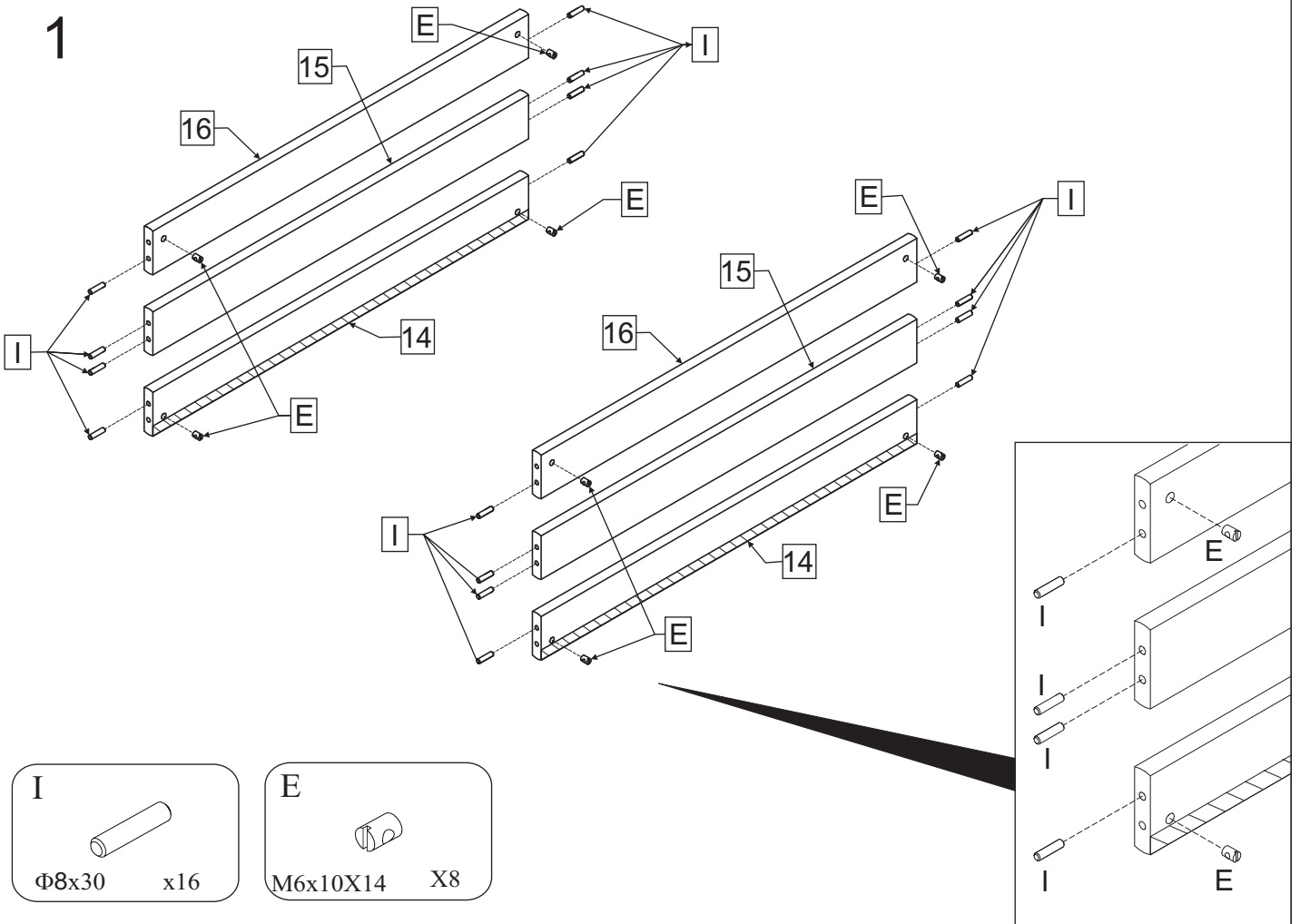




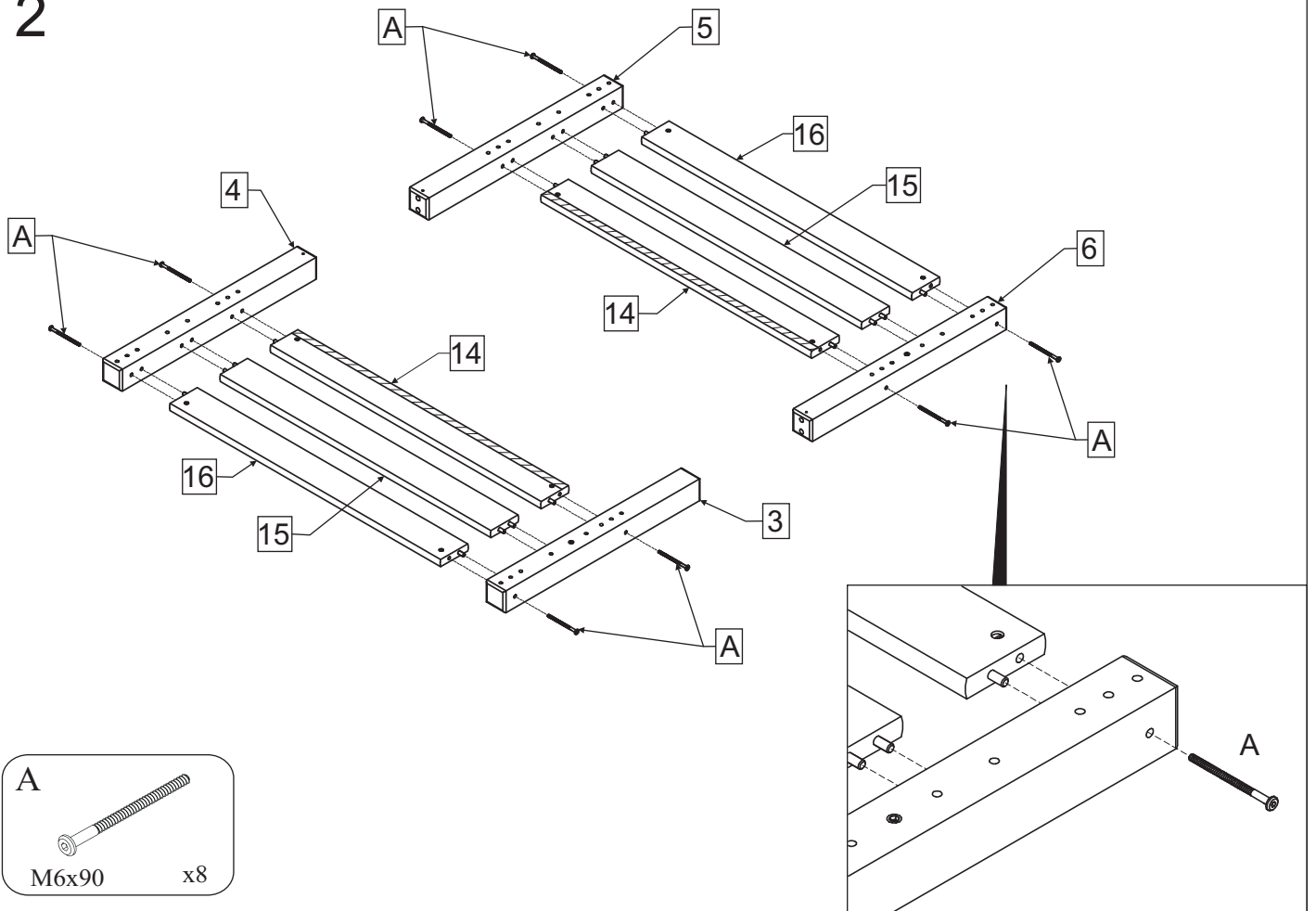
| Teilnr. | Anzahl | Mass HxBxT | Collinr. |
|---------|--------|------------|----------|
| 1 | 2 | 625x60x60 | 1/3 |
| 2 | 2 | 625x60x60 | 1/3 |
| 3 | 1 | 625x60x60 | 1/3 |
| 4 | 1 | 625x60x60 | 1/3 |
| 5 | 1 | 625x60x60 | 1/3 |
| 6 | 1 | 625x60x60 | 1/3 |
| 7 | 4 | 150x60x60 | 1/3 |
| 8 | 1 | 1960x90x20 | 2/3 |
| 8a | 1 | 1960x90x20 | 2/3 |
| 9 | 1 | 1960x90x20 | 2/3 |
| 10 | 1 | 1960x90x20 | 2/3 |
| 11 | 1 | 1960x90x20 | 2/3 |
| 11a | 1 | 1960x90x20 | 2/3 |
| 12 | 1 | 1570x90x20 | 2/3 |
| 13 | 1 | 1570x90x20 | 2/3 |
| 14 | 2 | 860x90x20 | 1/3 |
| 15 | 4 | 860x90x20 | 1/3 |
| 16 | 6 | 860x90x20 | 1/3 |
| 17 | 1 | 1400x90x20 | 2/3 |
| 17a | 1 | 1400x90x20 | 2/3 |
| 18 | 3 | 350x90x20 | 2/3 |
| 19 | 36 | 898x48x20 | 3/3 |



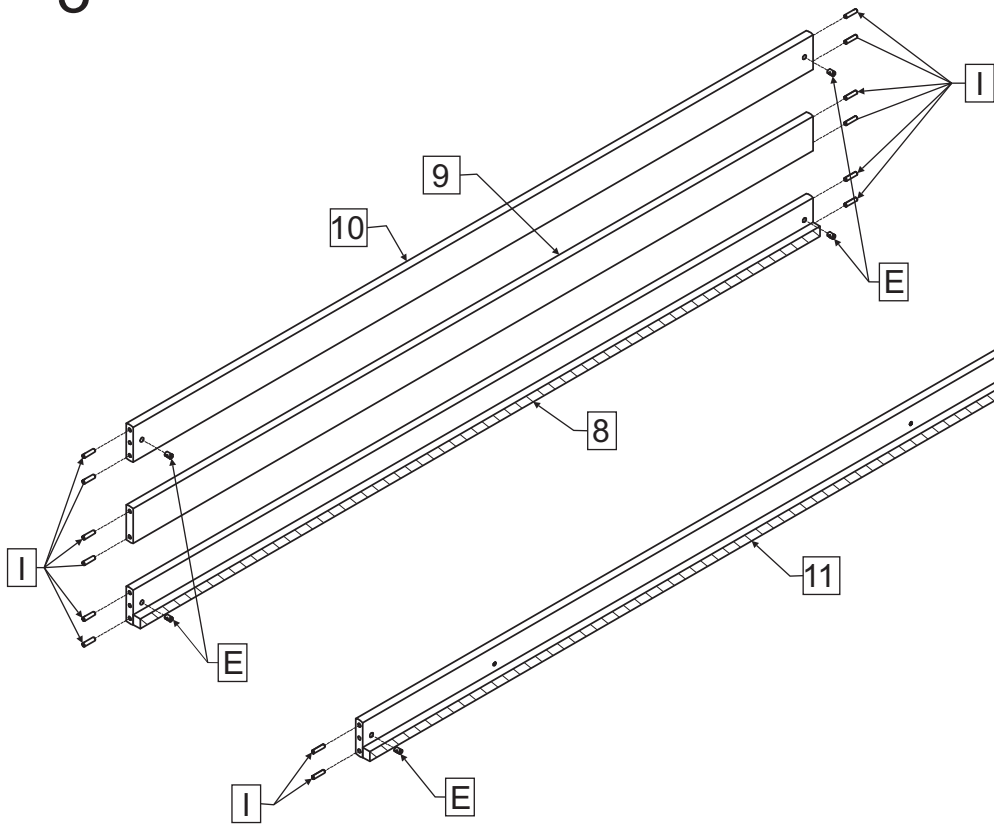
1



2

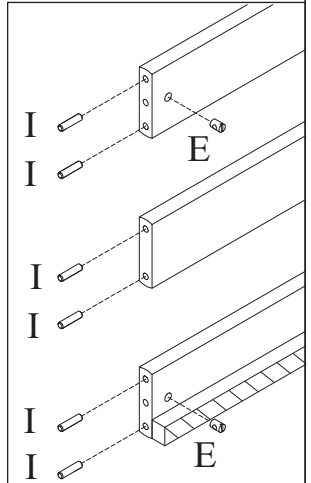


3

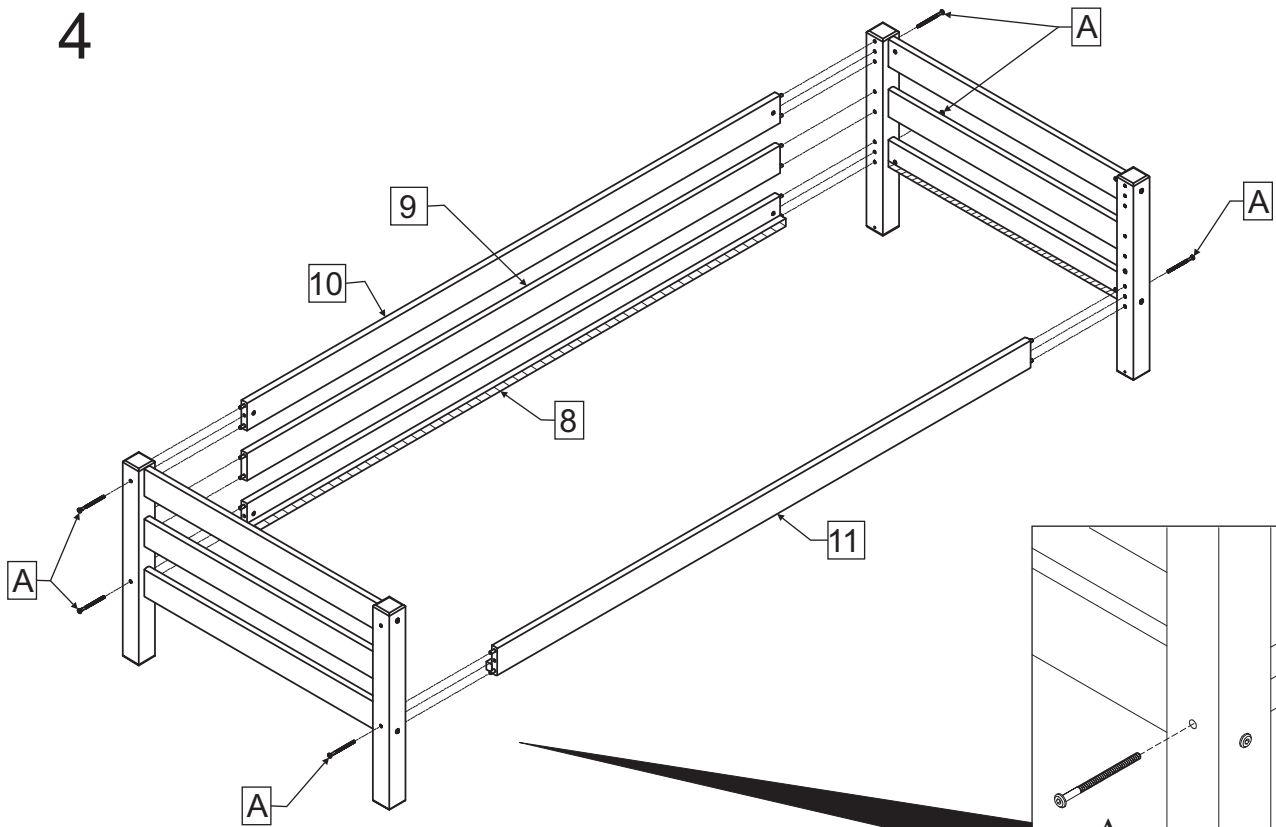


I
Φ8x30 x16

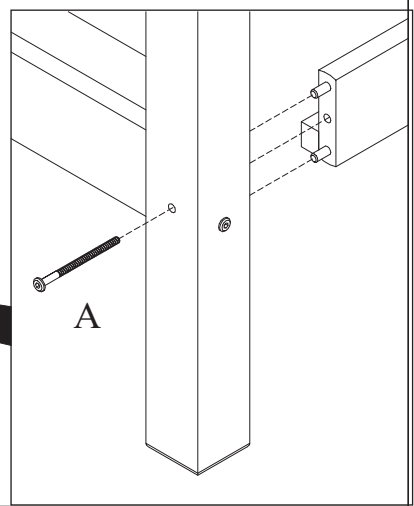
E
M6x10X14 x6



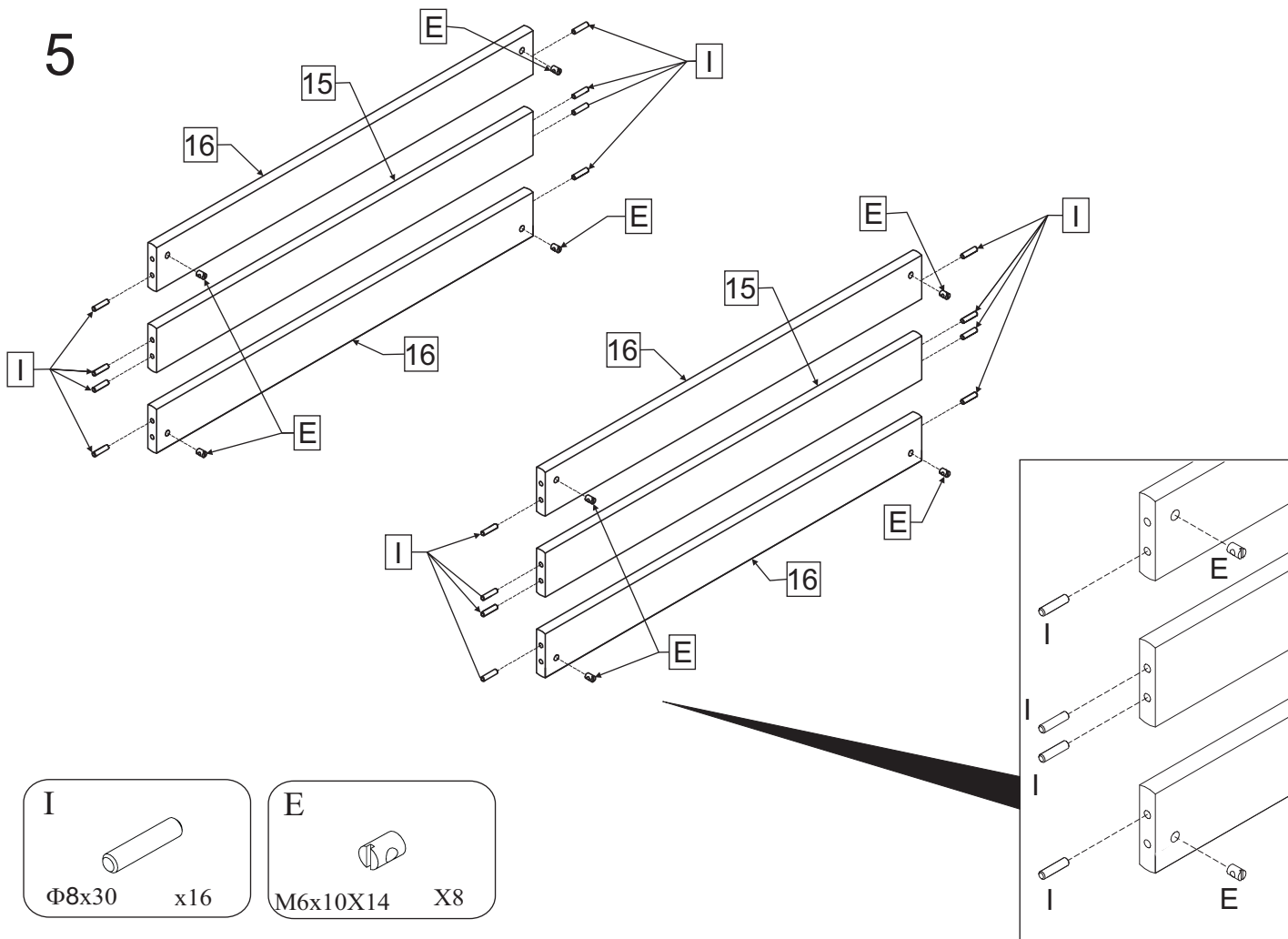
4



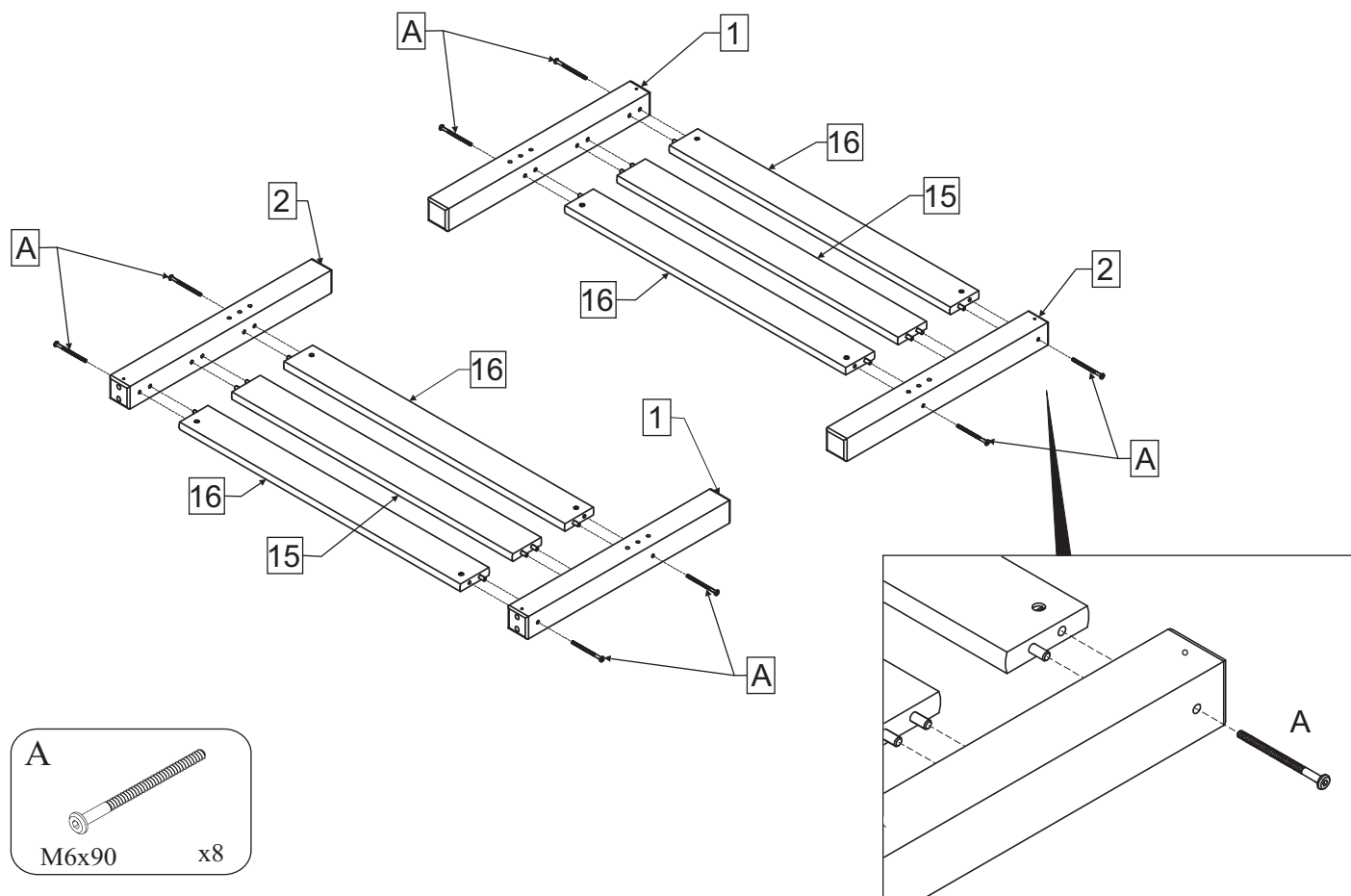
A
M6x90 x6



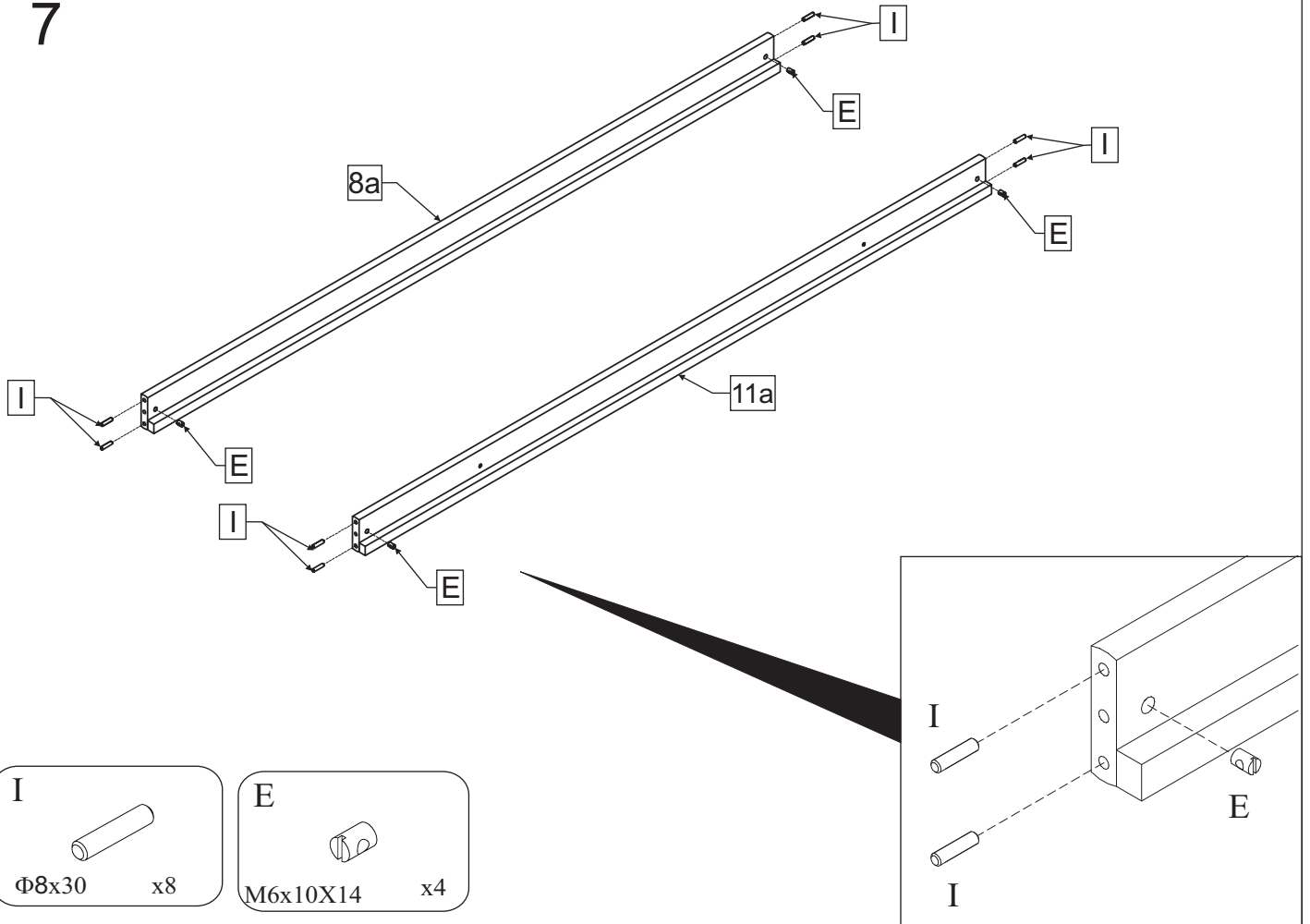
5



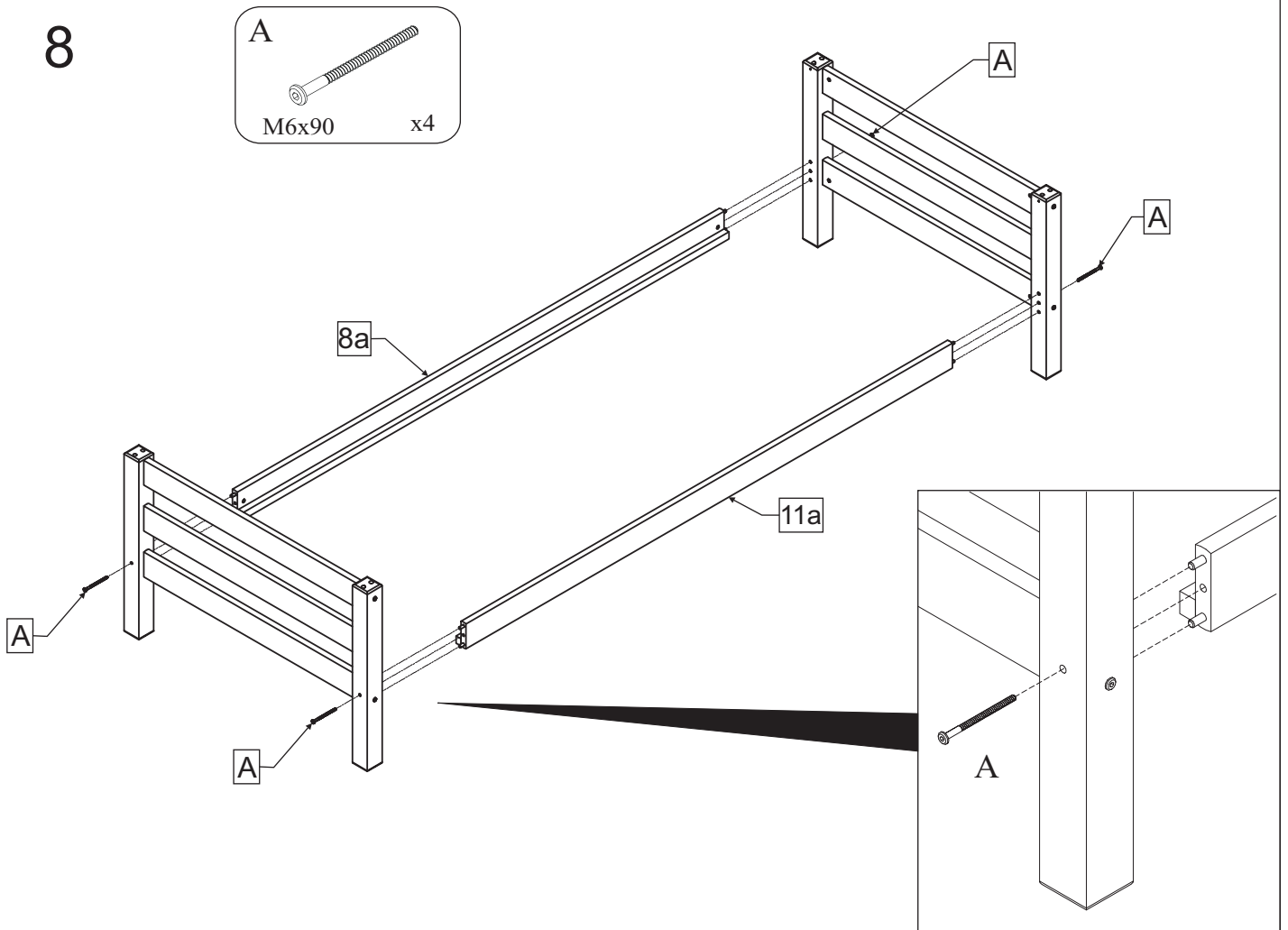
6



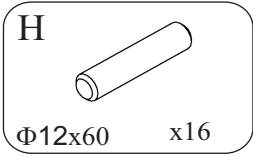
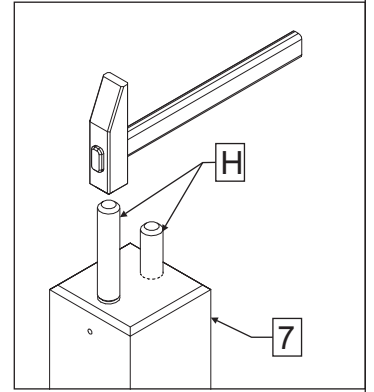
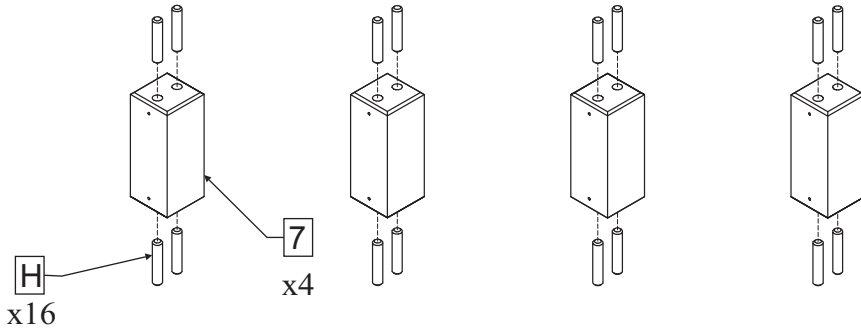
7



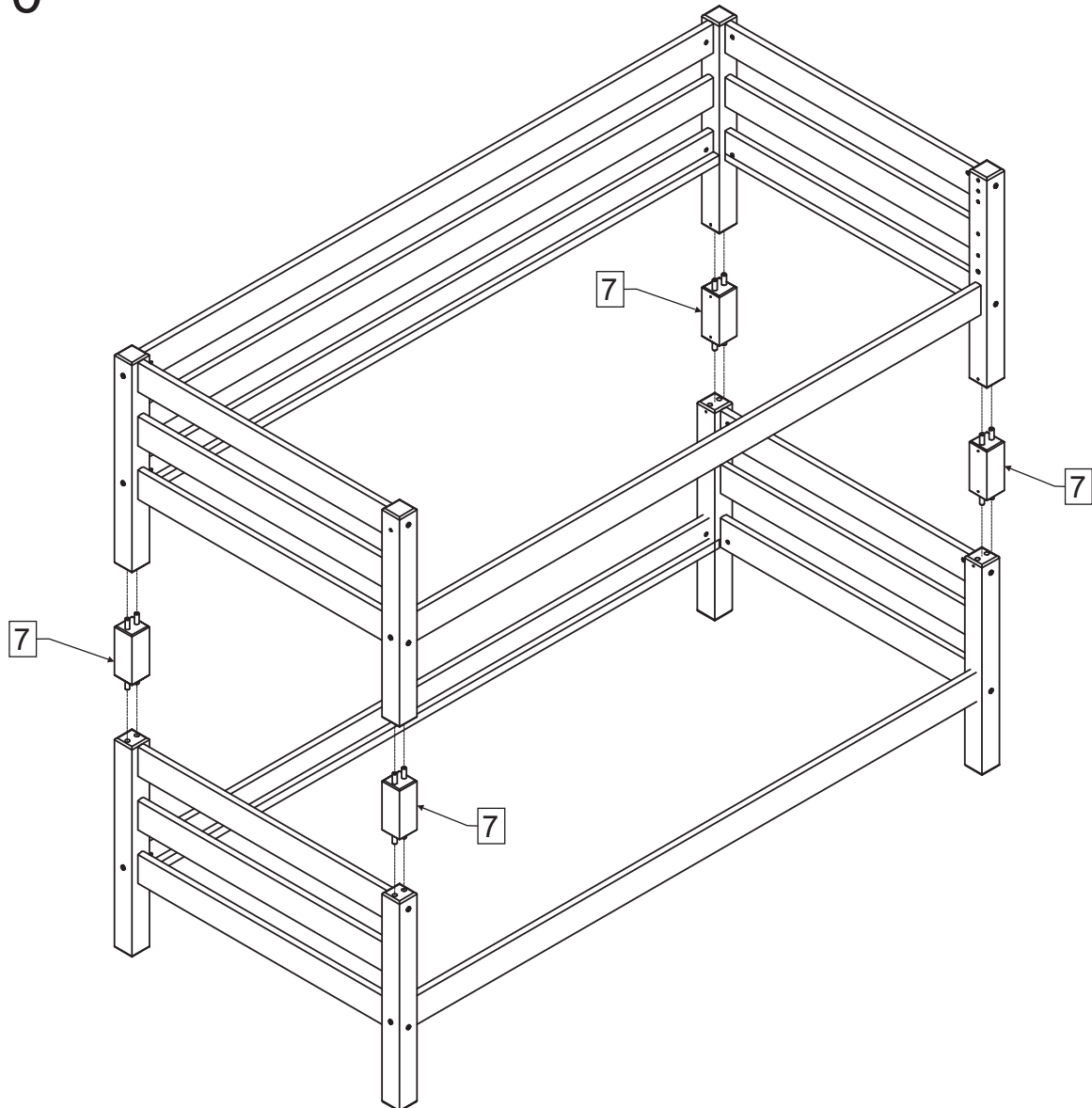
8



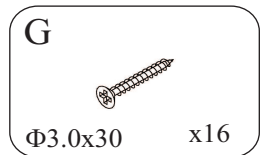
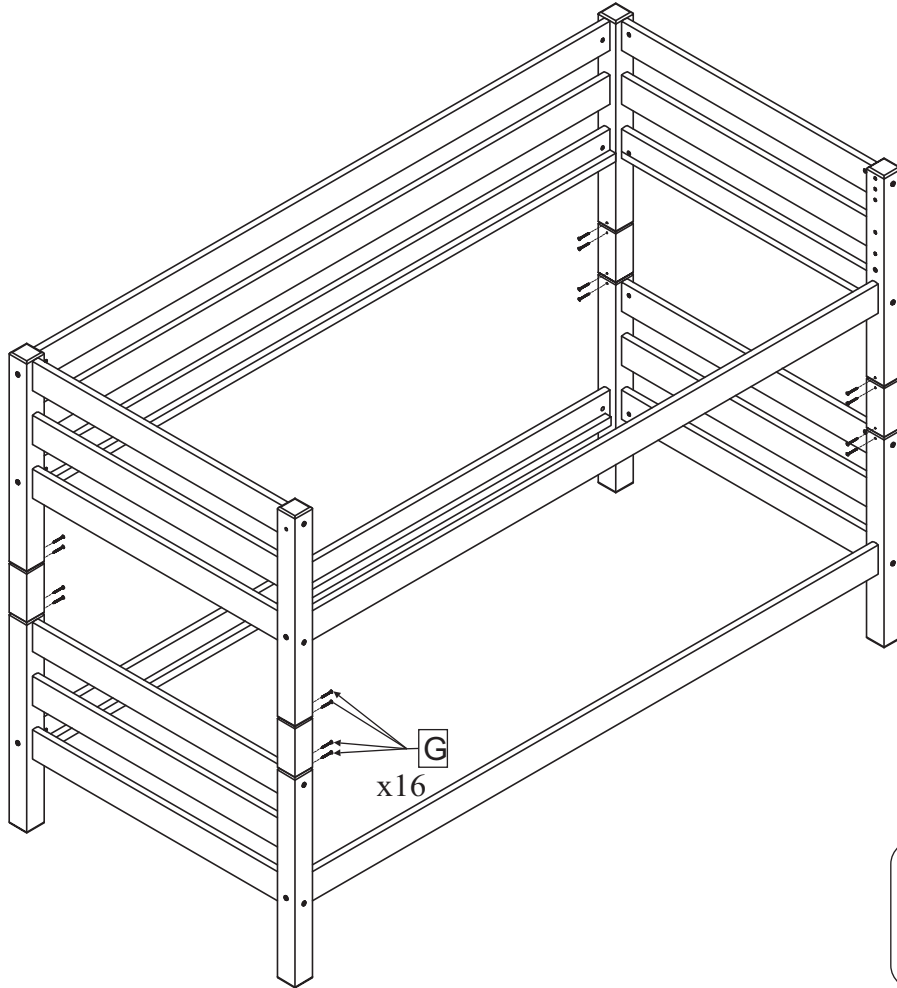
9



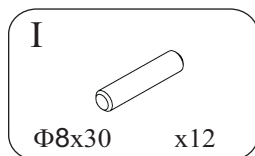
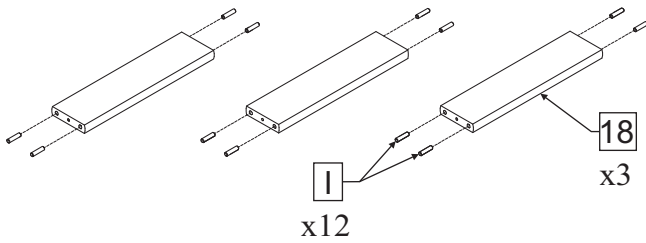
10



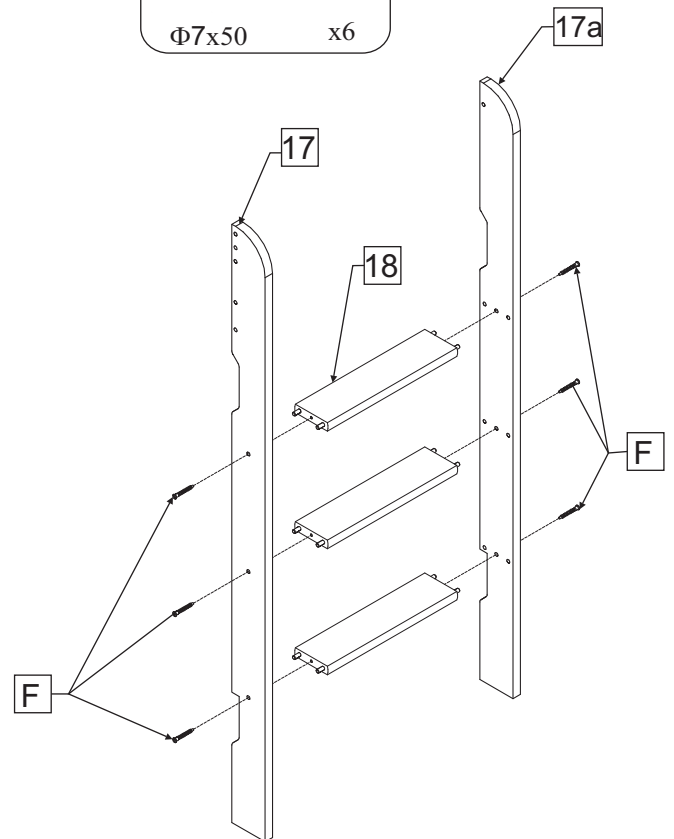
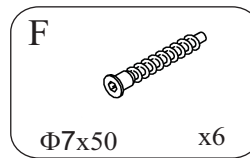
11



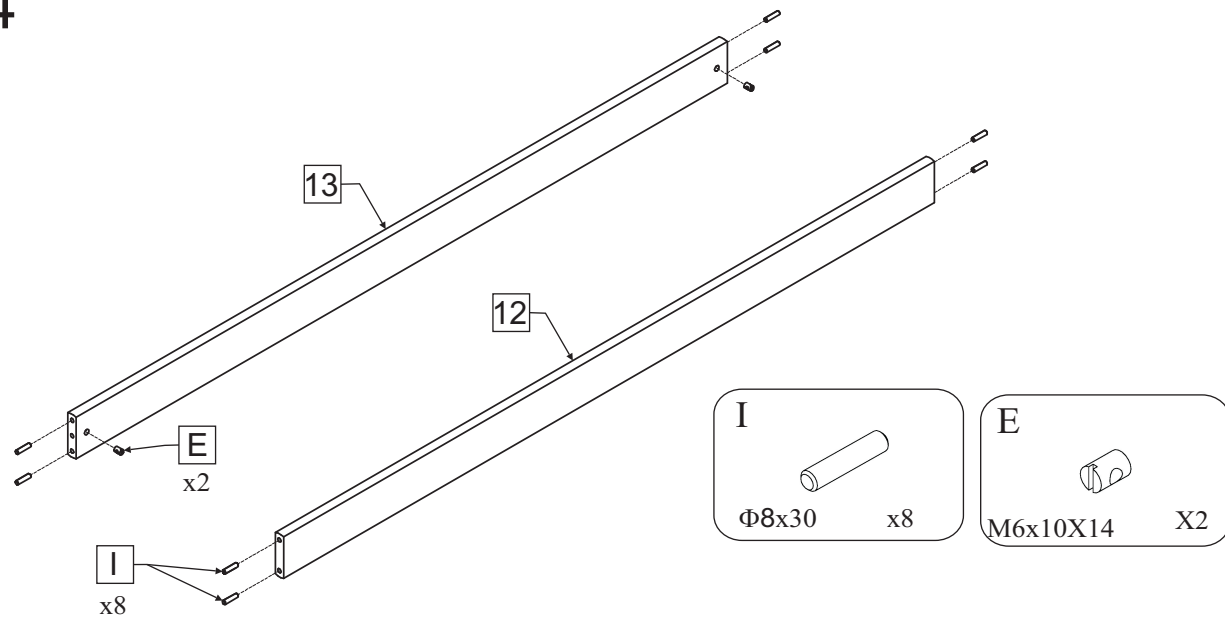
12



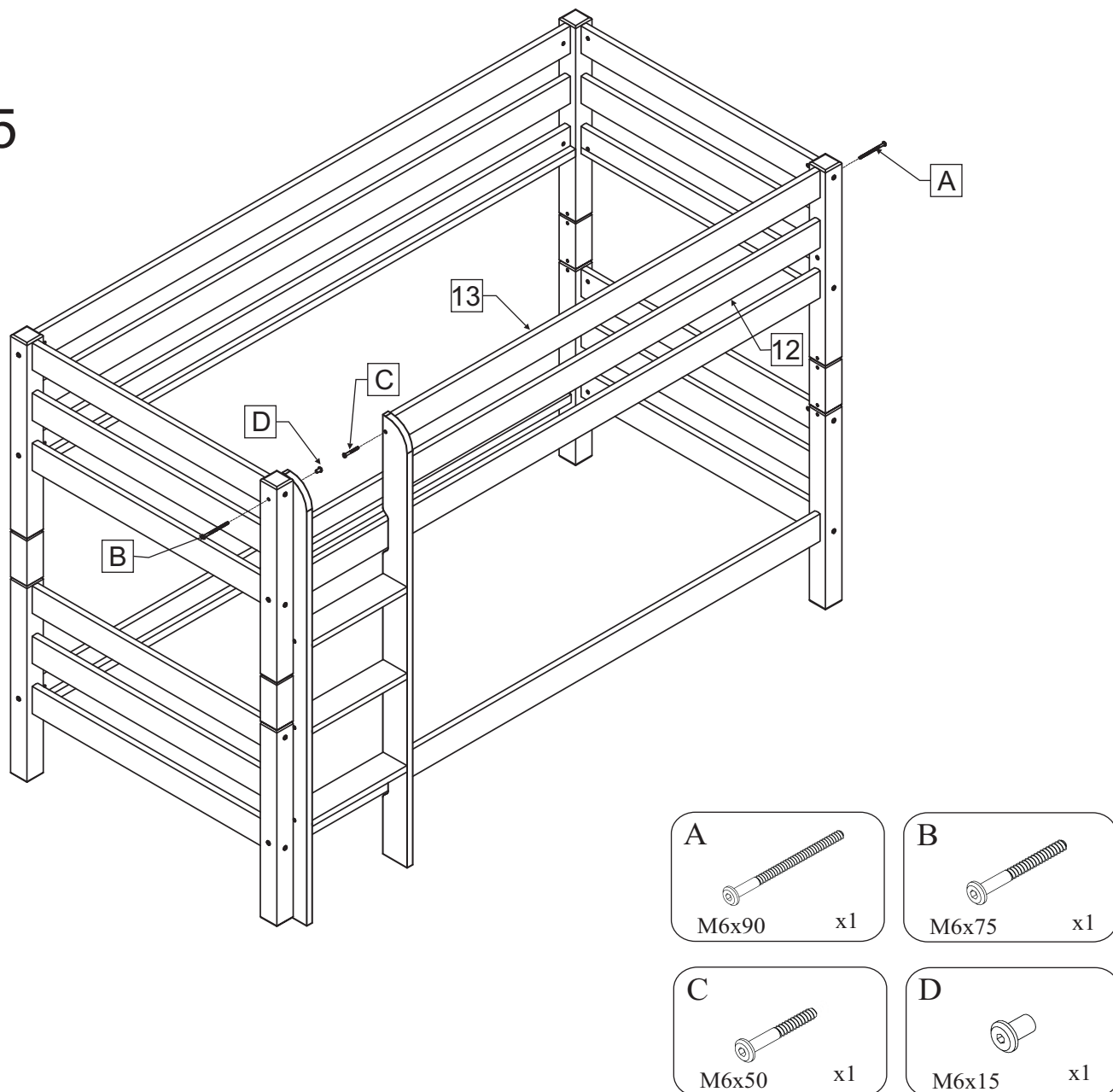
13



14



15

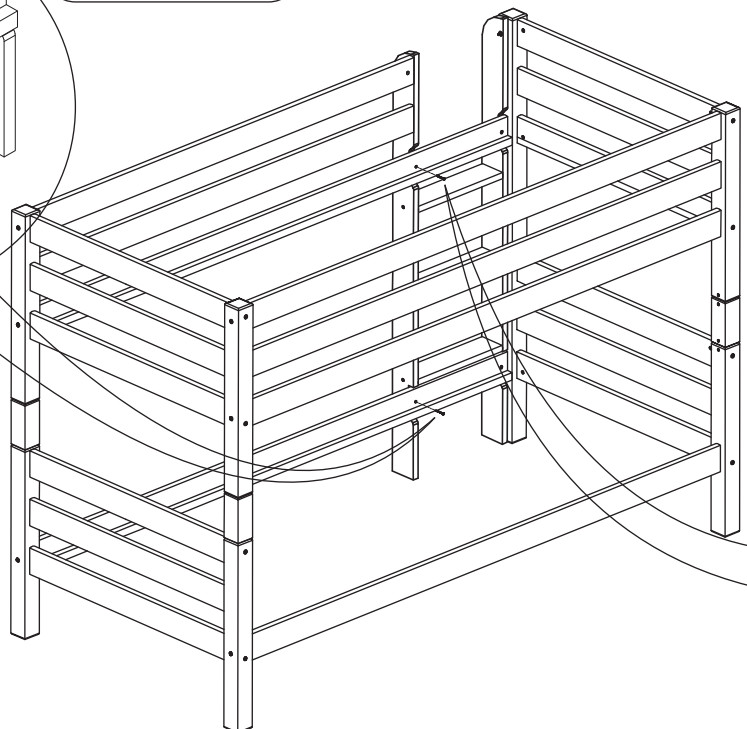
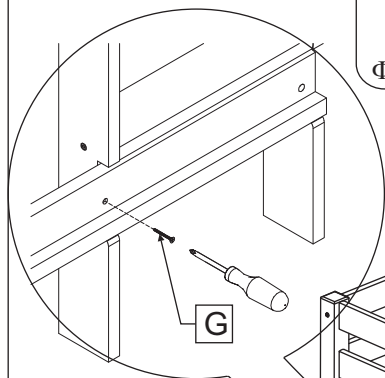


16

G

Φ3.0x30

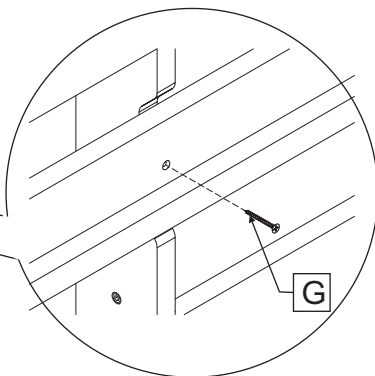
x1



G

Φ3.0x30

x1

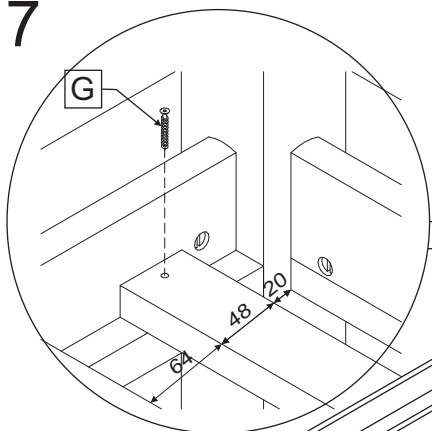


17

G

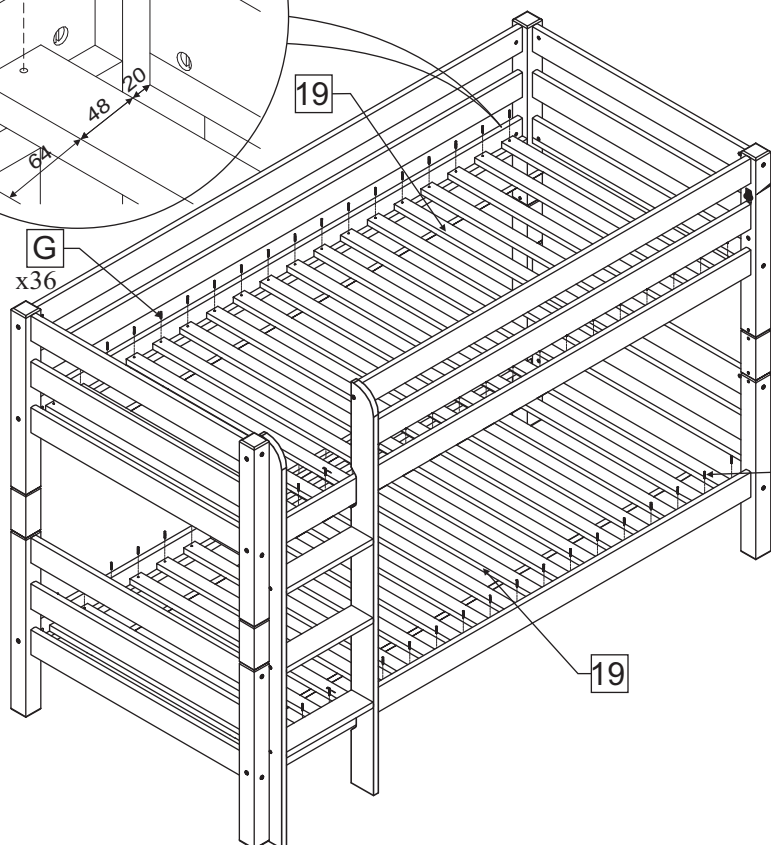
Φ3.0x30

x72



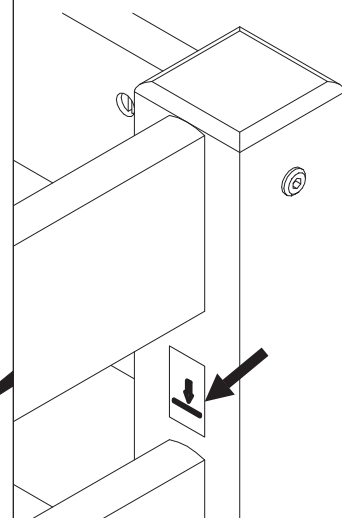
G

x36



G

x36



PAŽNJA

Max. Visina madraca