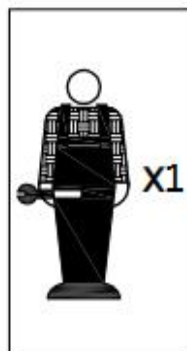
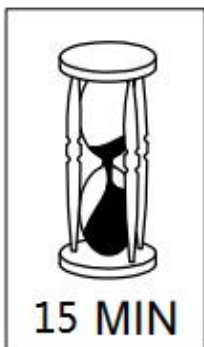
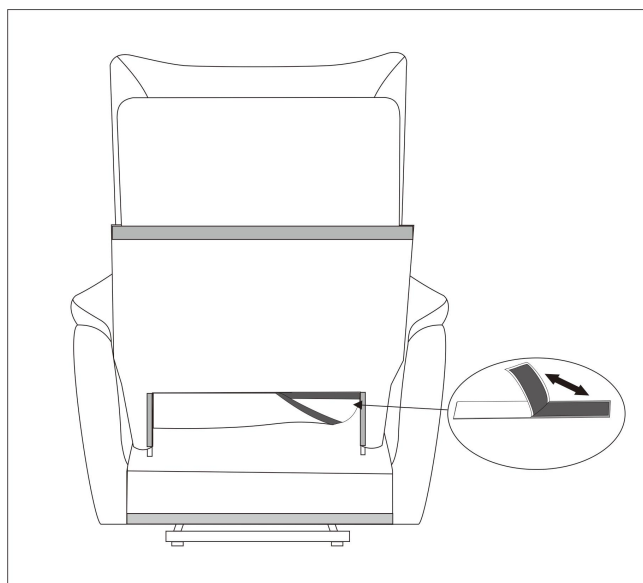
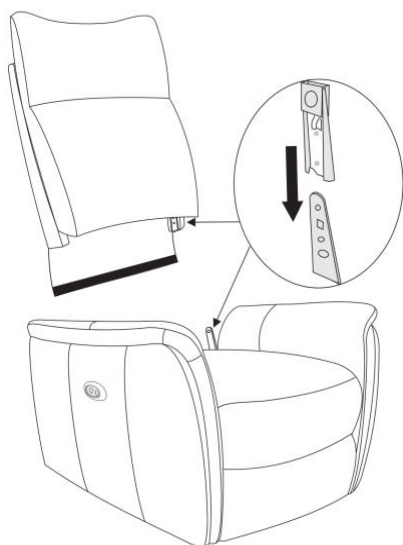


# LUXEMBURG

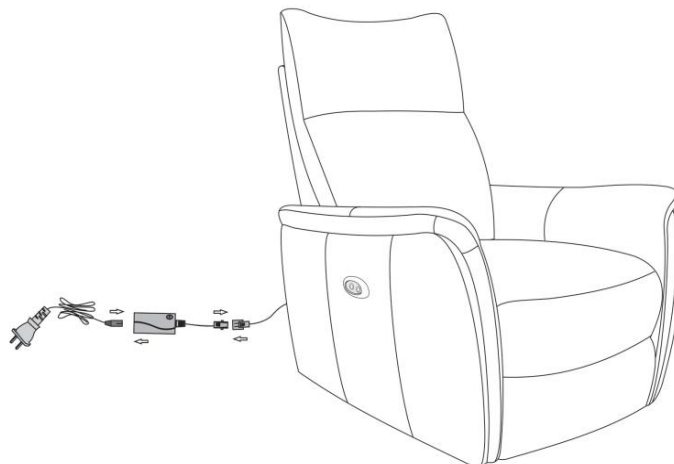
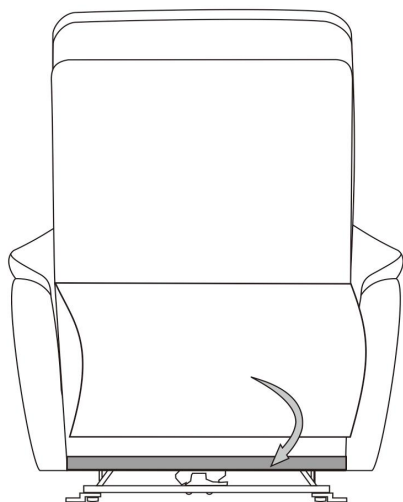
Instructions/Navodila za montažo/Montageanleitungen



**1**



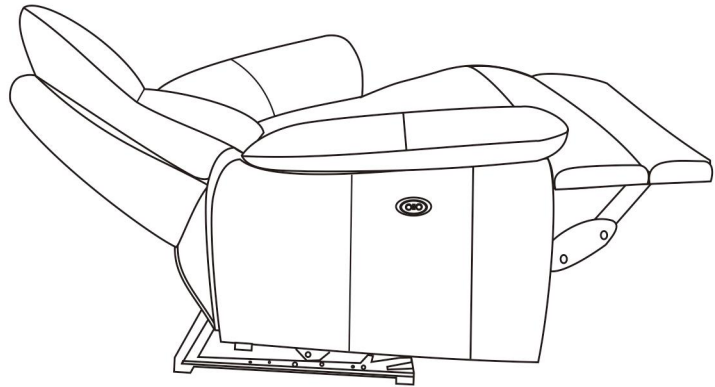
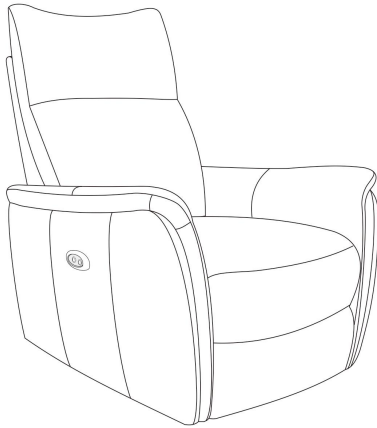
**2**



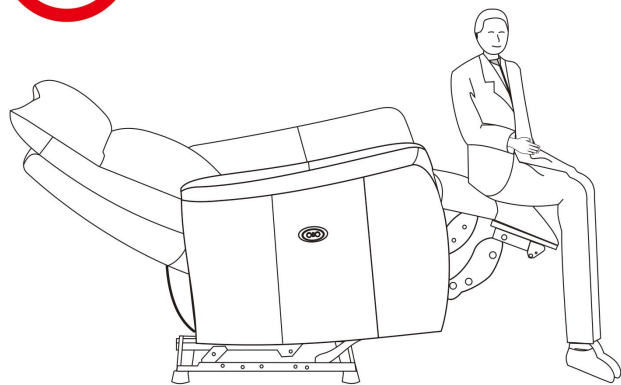
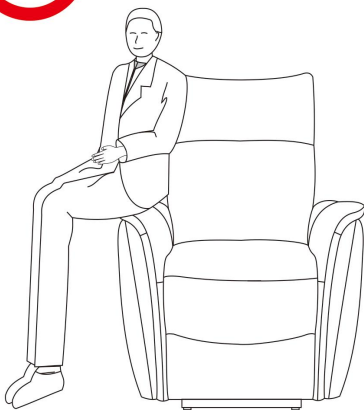
# LUXEMBURG

Instructions/Navodila za montažo/Montageanleitungen

3

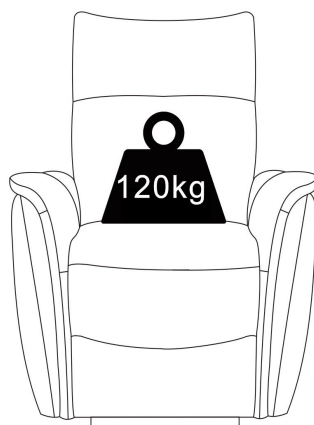


4



5

**Max weight capacity**



## Prevoz

1. Sedežno garnituro lahko naenkrat premika le dve ali več oseb.
2. Sedežne garniture ne dvigujte za rokonaslone ali naslonjalo.
3. Sedežne garniture med premikanjem ne potiskajte / vlečite, ampak jo previdno dvignite in premaknite.
4. Sedežno garnituro lahko dvignete le z prijemom spodnjega okvirja.



Change on the photo: 1. Pravilen dvig sedežne garniture / 2. Nepravilen dvig sedežne garniture.

## Navodila za nego

Drobtine med blazinami odstranite z nastavkom za sesanje. Obrišite oblazinjenje z čisto krpo, rahlo navlaženo z destilirano vodo. Obrišite do suhega z čisto, mehko krpo. Za odstranitev madežev uporabite samo ne-abrazivno, popolnoma nevtralnno čistilo.

## Transport

1. Carry your upholstered furniture only with two or more people.
2. Do not lift the upholstered furniture by the sides or by the head or foot elements.
3. Do not push or pull the upholstered furniture, rather lift it carefully.
4. For correct transport, the item should only be lifted by the lower frame.



## Care Instructions

Remove debris by using a vacuum crevice tool to get between seat cushions. Wipe the upholstery with a clean cloth lightly dampened with distilled water. Promptly dry furniture with a clean, soft cloth. For spills and stains, use a warranty-approved cleaner according to package directions.