

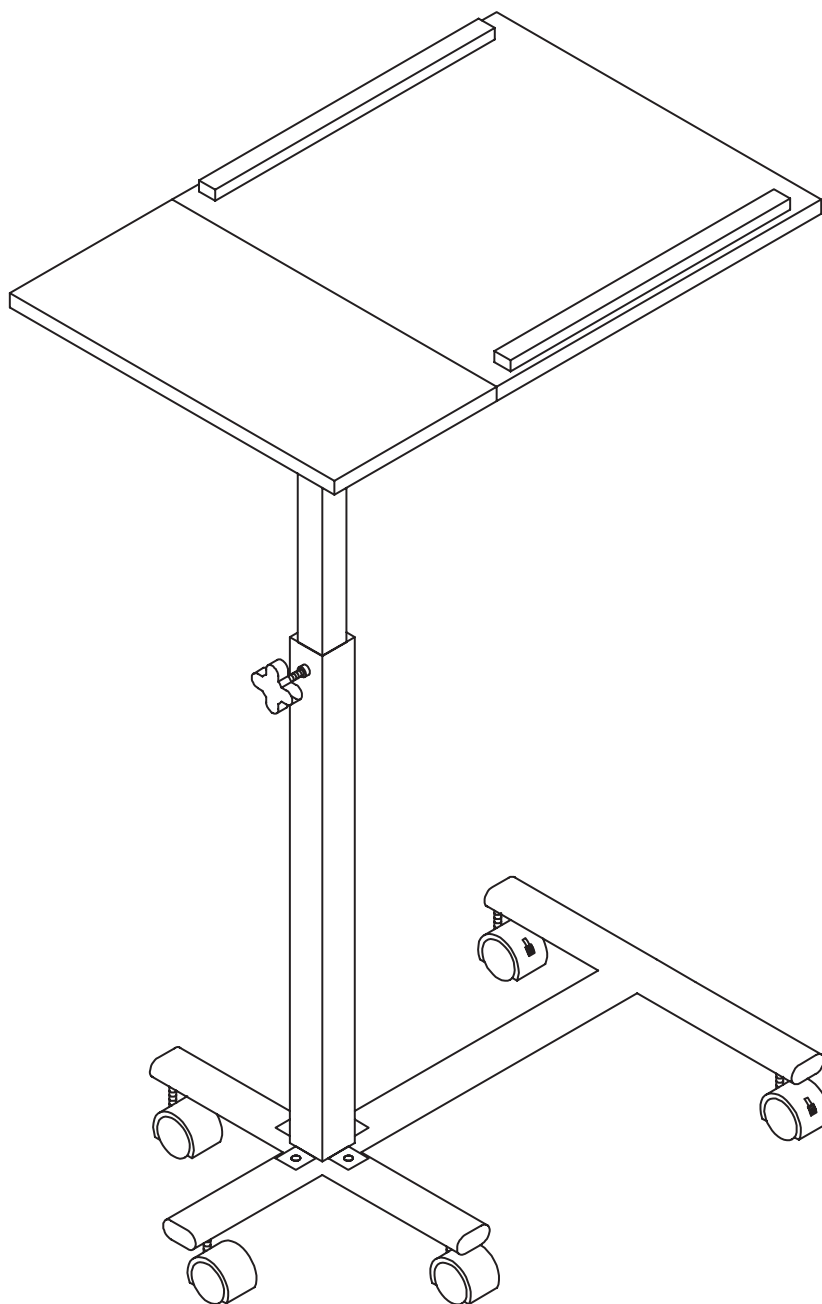
# STANDY

0.5 hr

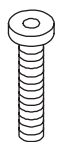
1X



1.5M x 1M



# STANDY



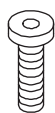
A x 4



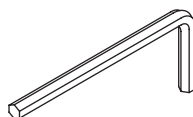
B x 4



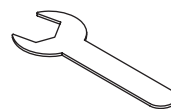
C x 4



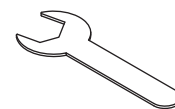
D x 2



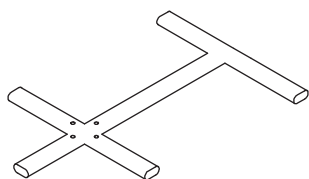
E x 1



F x 1

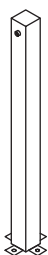


G x 1



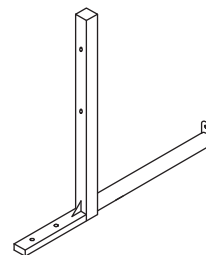
1

1 PC



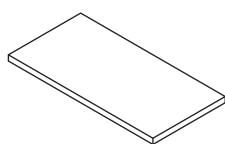
2

1 PC



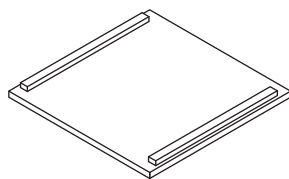
3

1 PC



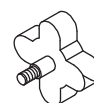
4

1 PC



5

1 PC



6

2 PCS



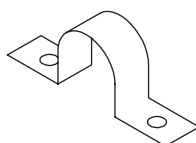
7

2 PCS



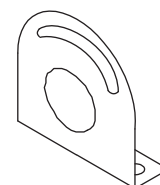
8

3 PCS



9

1 PC

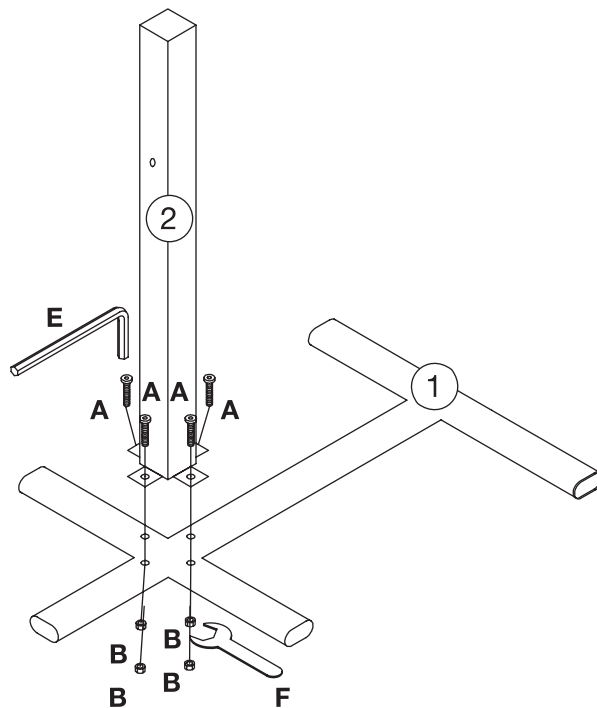


10

1 PC

# STANDY

1



A x 4



B x 4

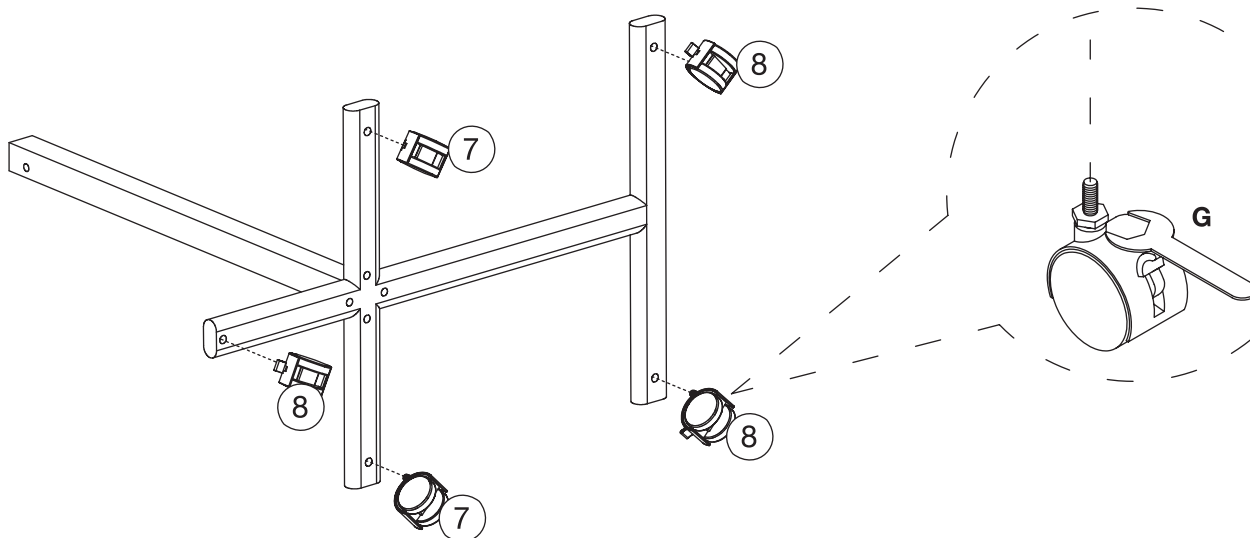


E x 1



F x 1

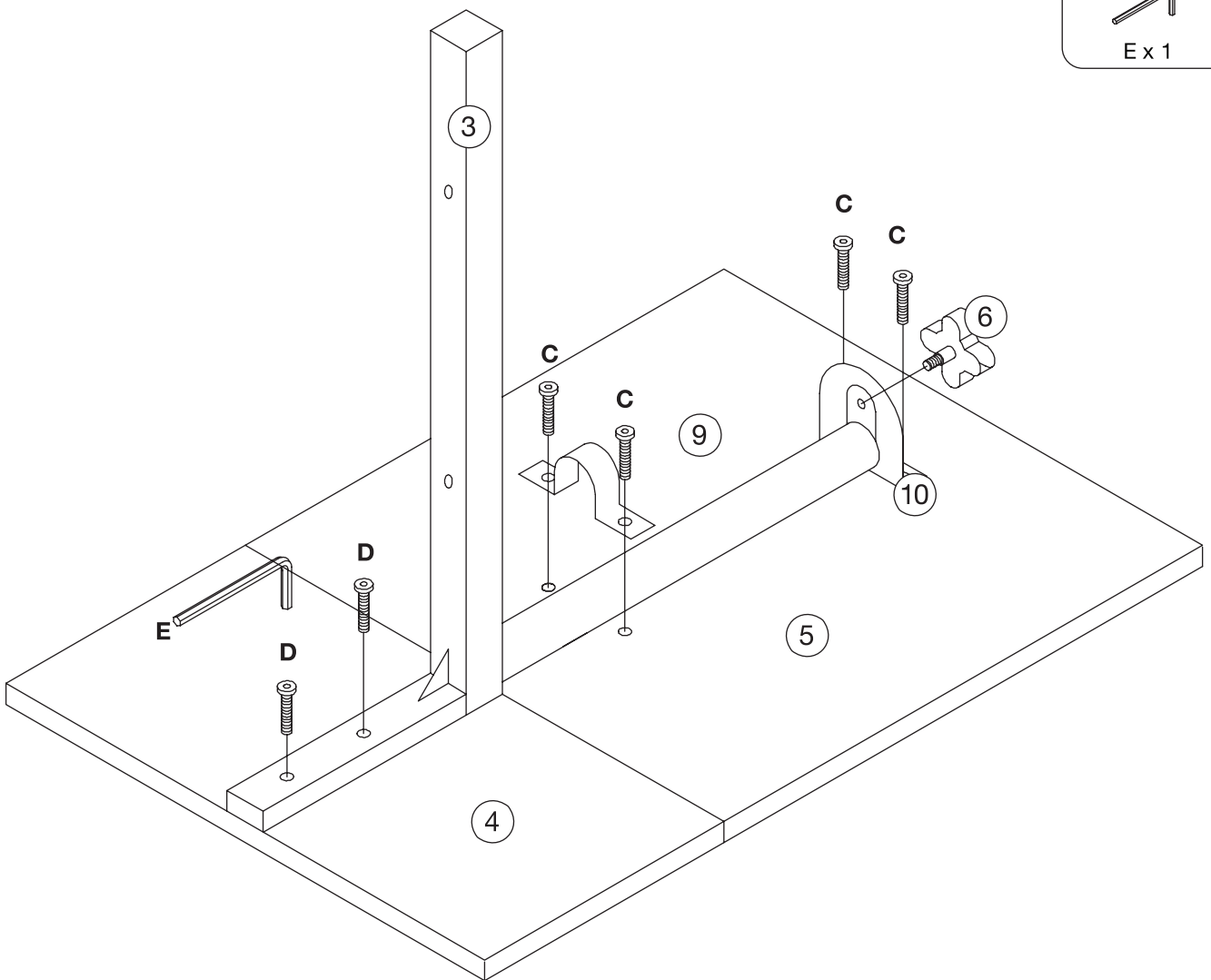
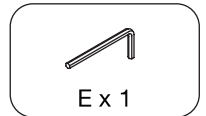
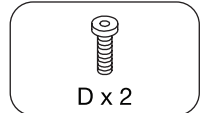
2



G x 1

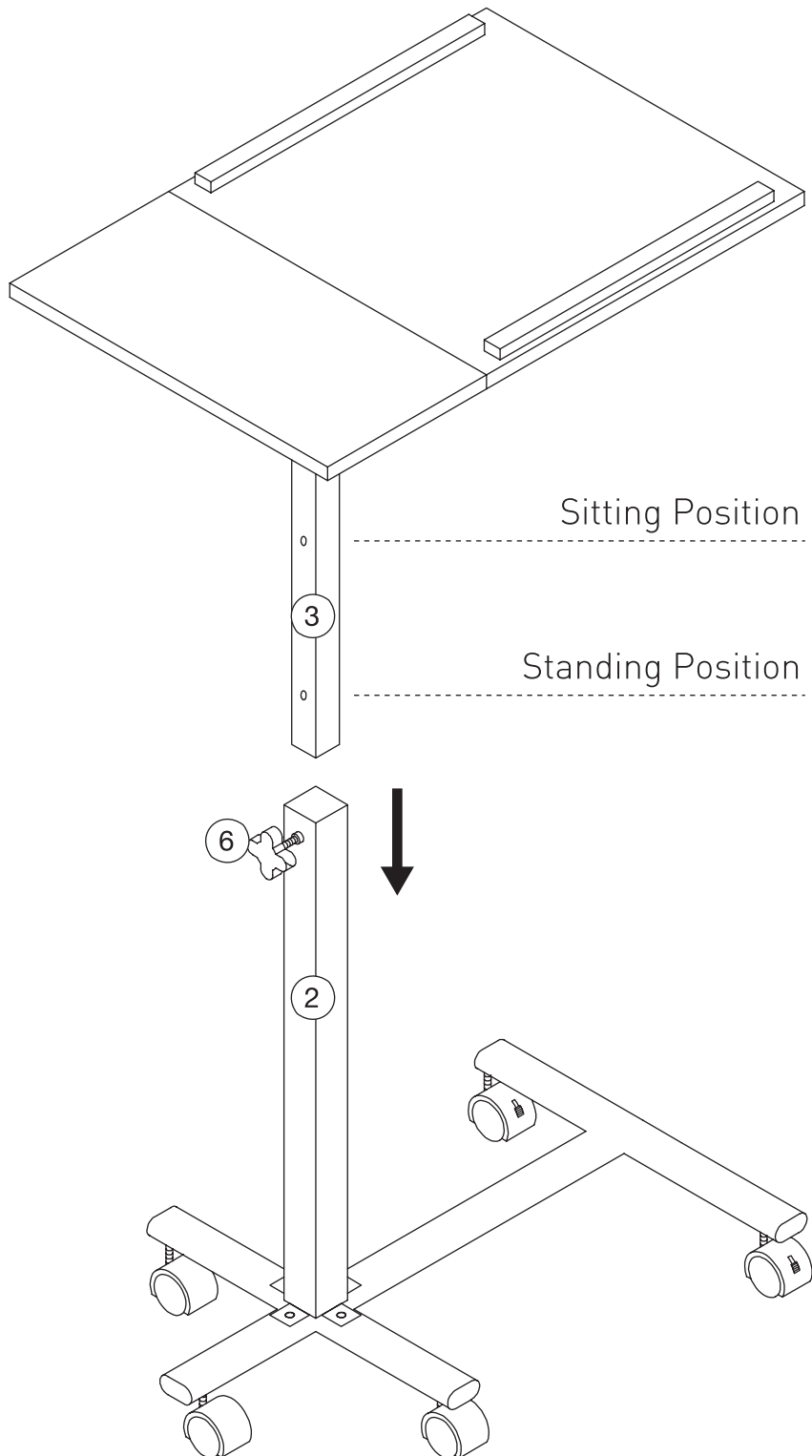
# STANDY

3



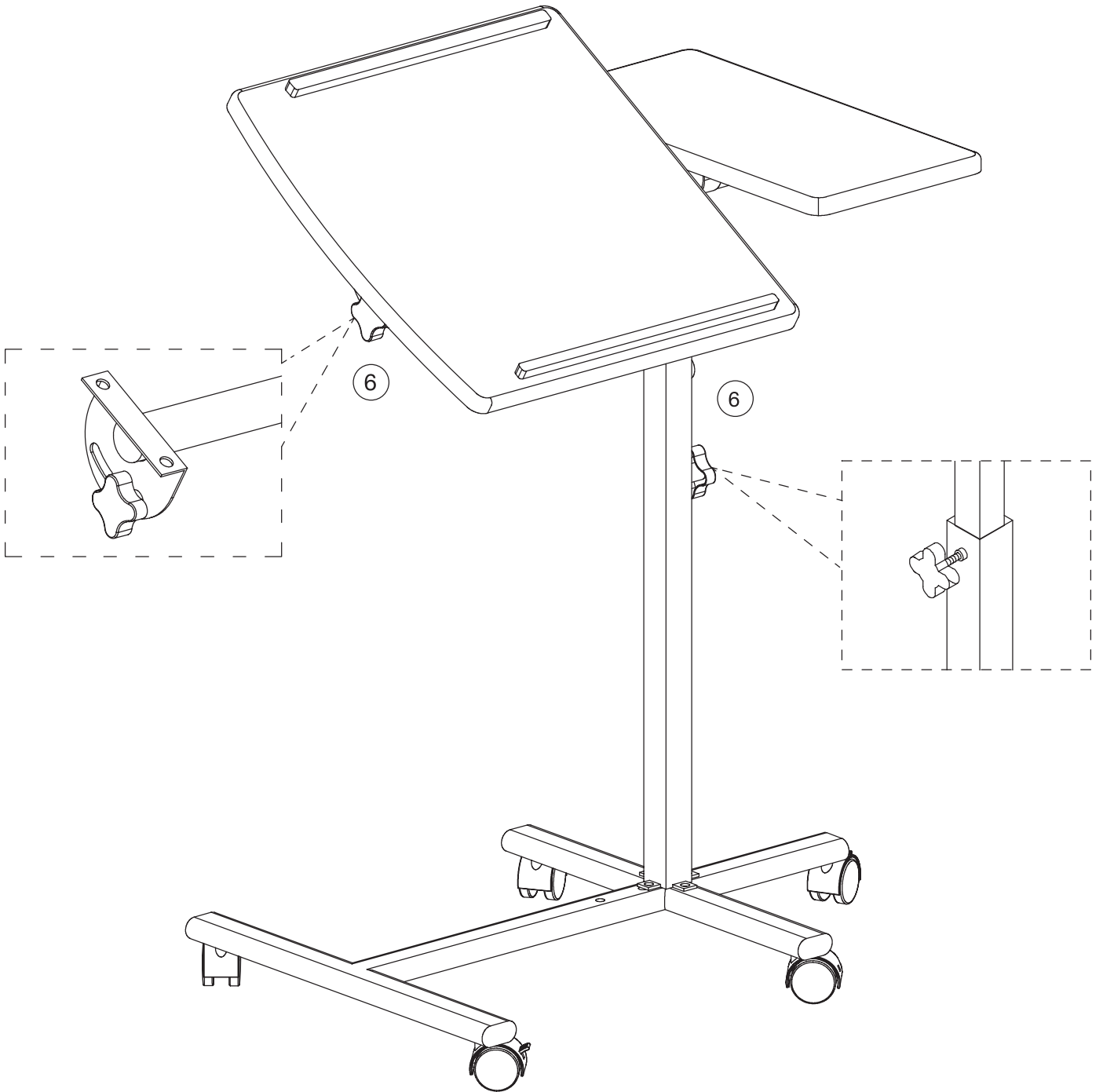
# STANDY

4



# STANDY

5



# STANDY

6

