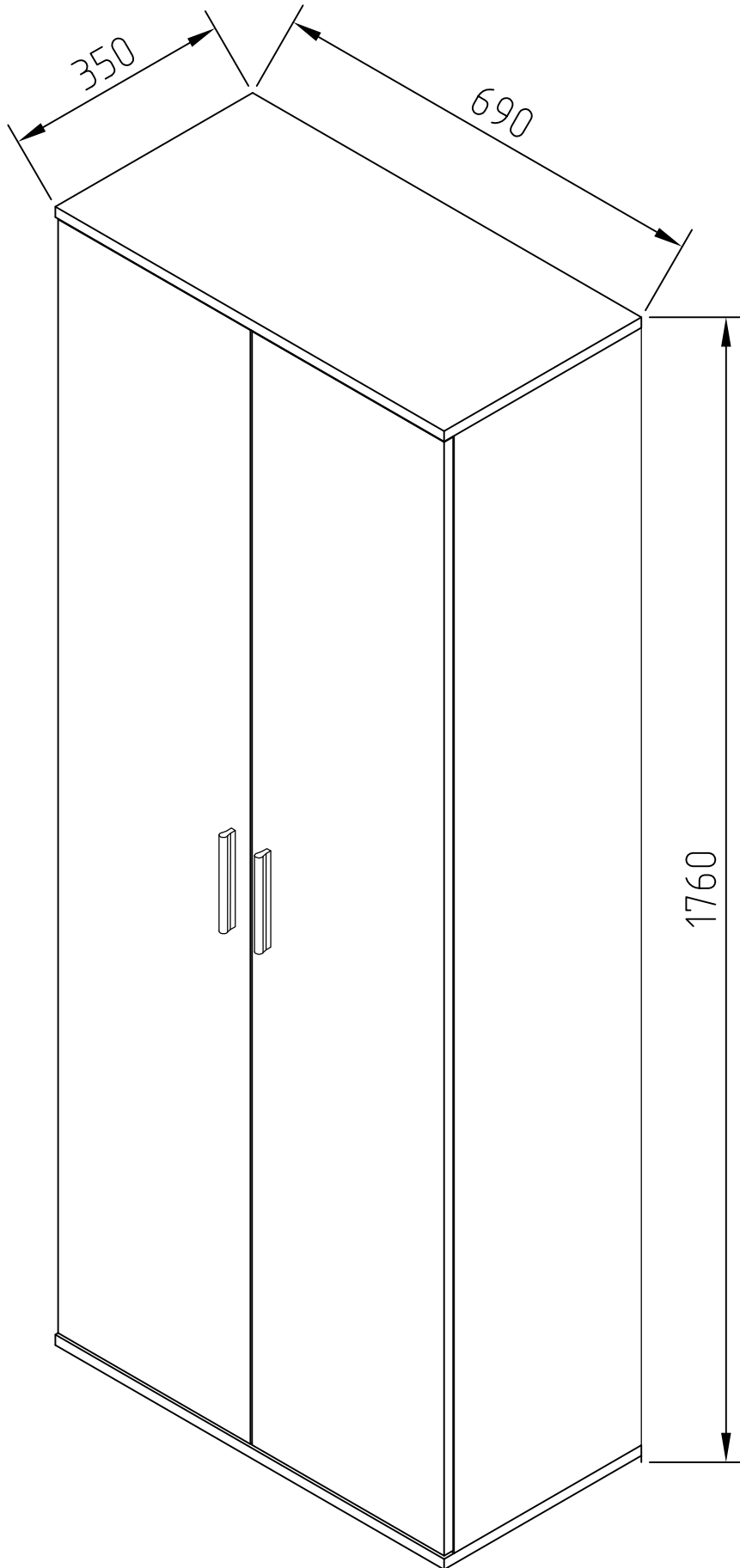
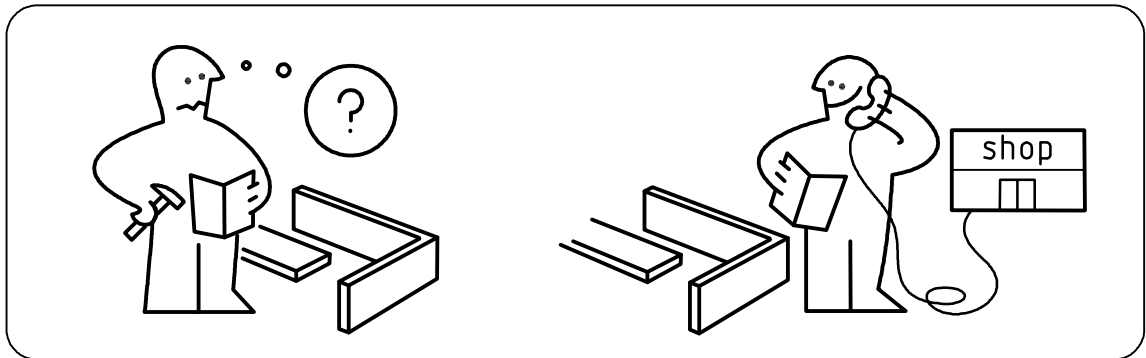
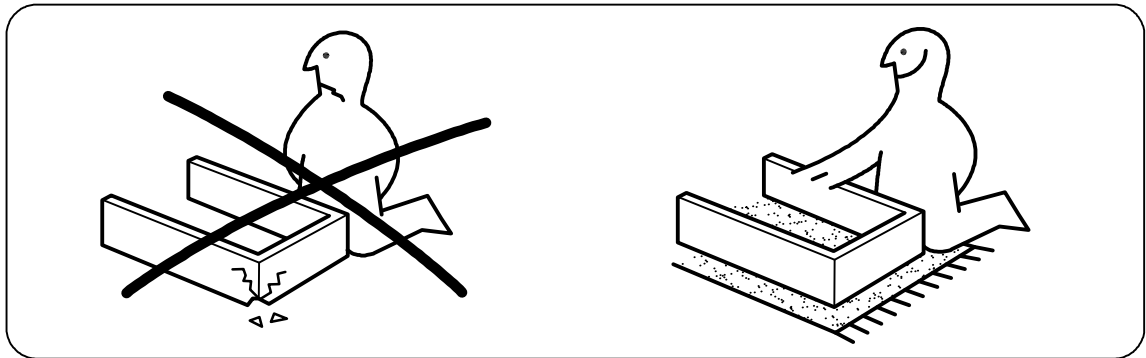
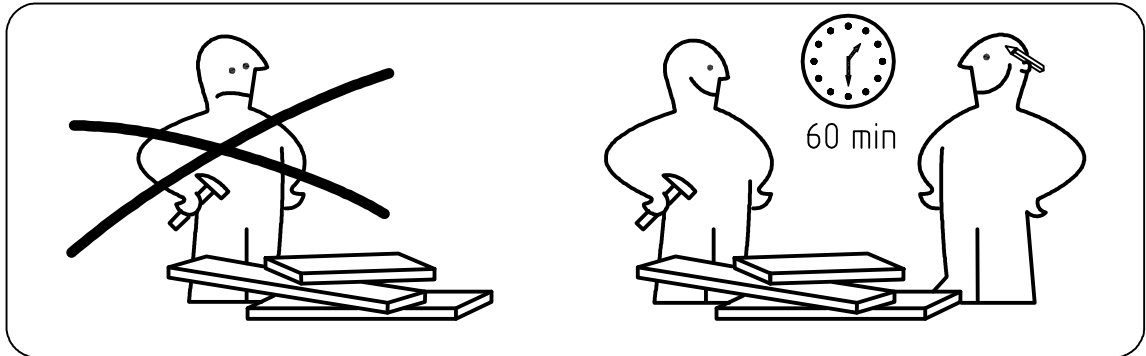
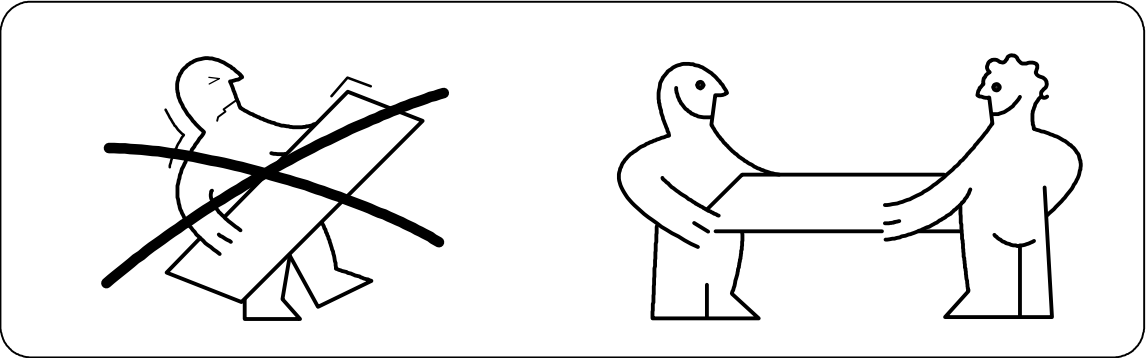
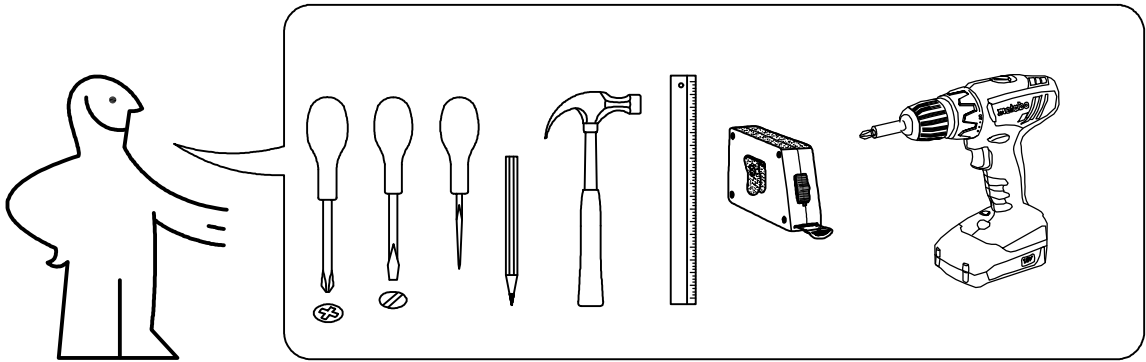



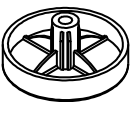
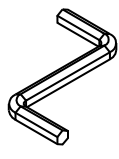
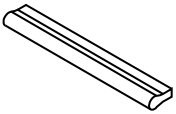

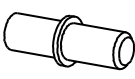
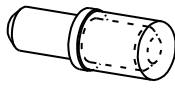
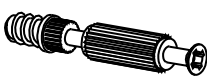


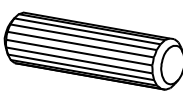

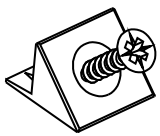
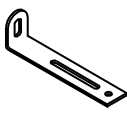
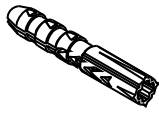
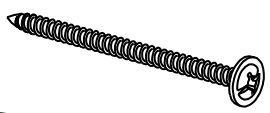



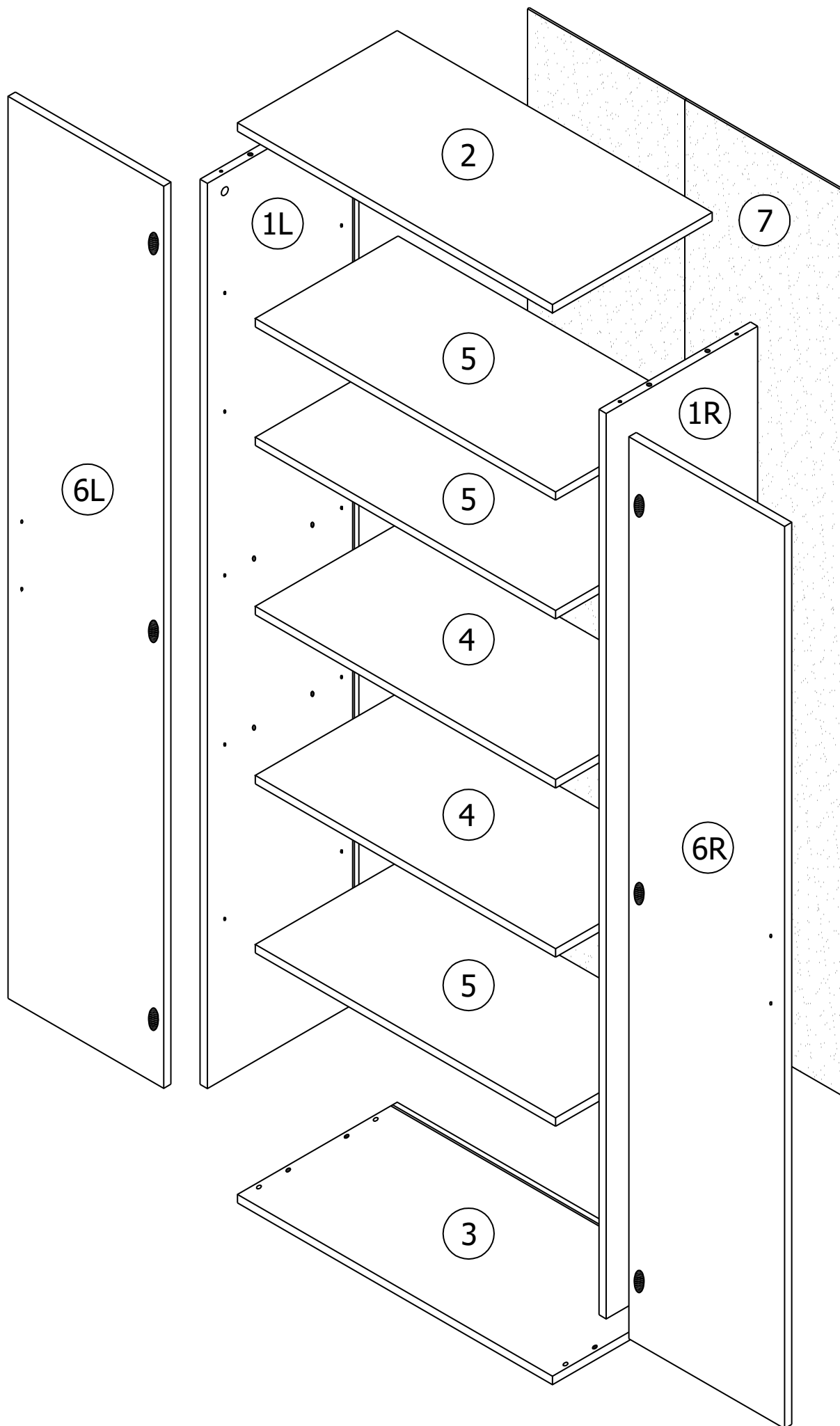
Spike

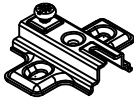

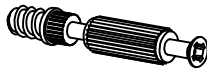

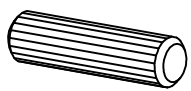


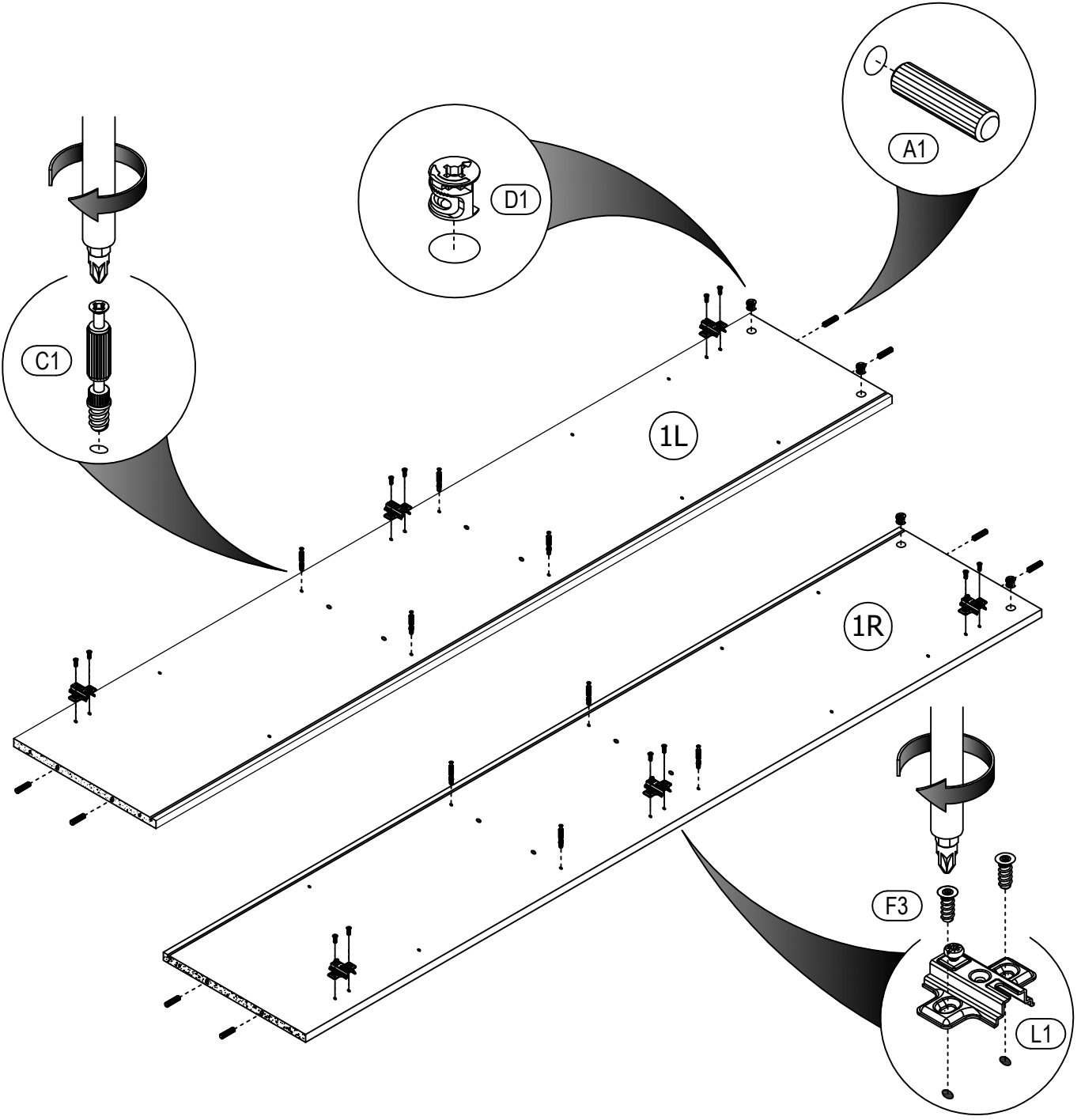


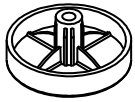
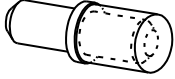
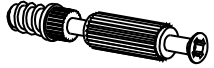

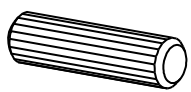
 (L1) x6	 (F3) 6,3*13mm x12	 (E5) 3,5*16 x12
 (K5) x4	 (R4) x1	 (I2) x2
 (E-1) 3,5*27 x4	 (J1) x12	 (J4) x4
 (C1) 6*43mm x12	 (D1) 15/16 x12	 (D) Ø20mm x12
 (A1) x16	 (B1) x4	 (H2) x12
 (S16) 77x21x15 x1	 (H5) 8*50mm x1	 (E-5) 4,2*65mm x1
 (E-2) 4,2*16mm x2		

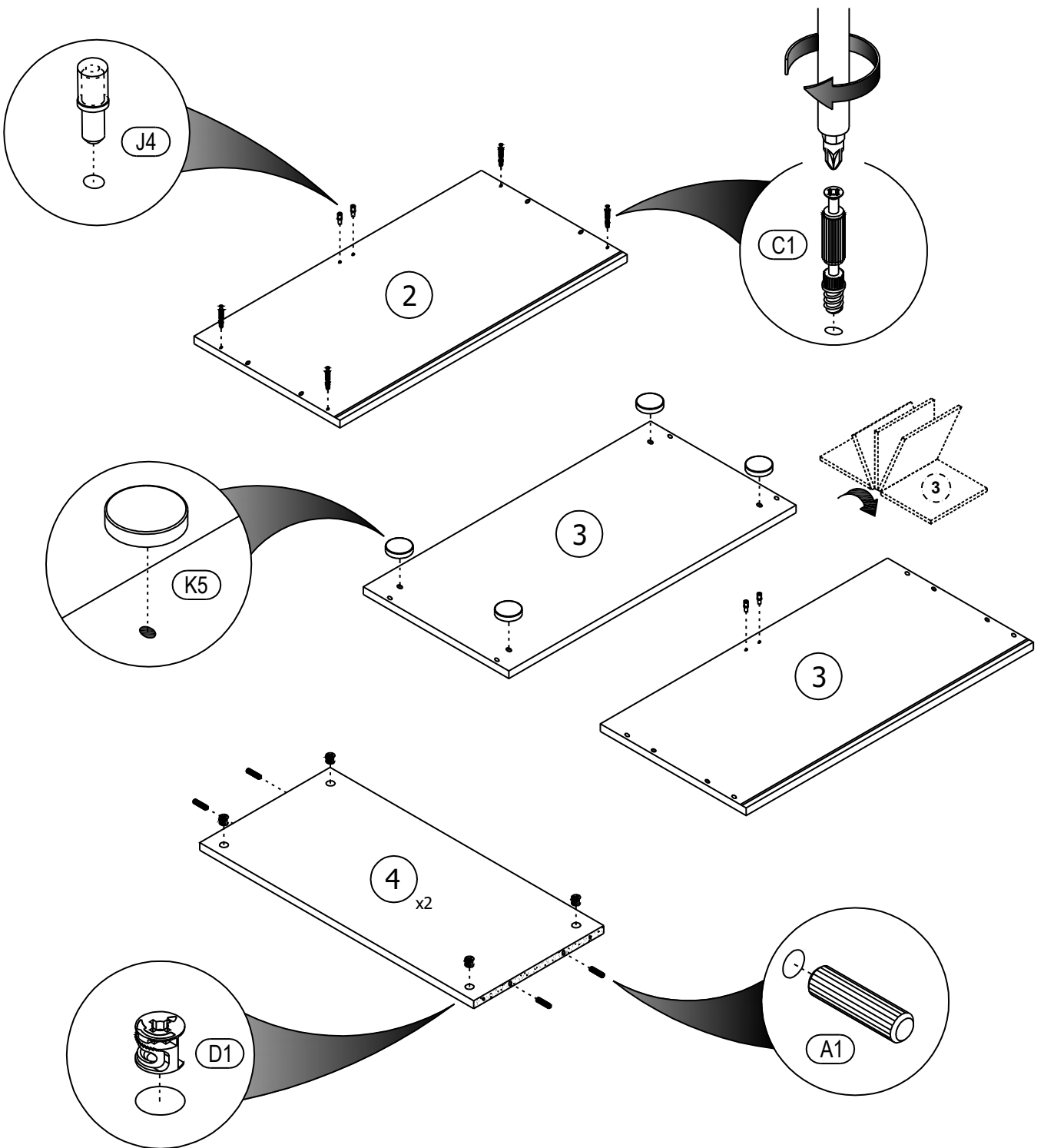
No	a*b	x
1L	1718x332	1
1R	1718x332	1
2	690x350	1
3	690x350	1
4	656x313	2
5	656x313	3
6L+R	1712x341	2
7	1727x664	1

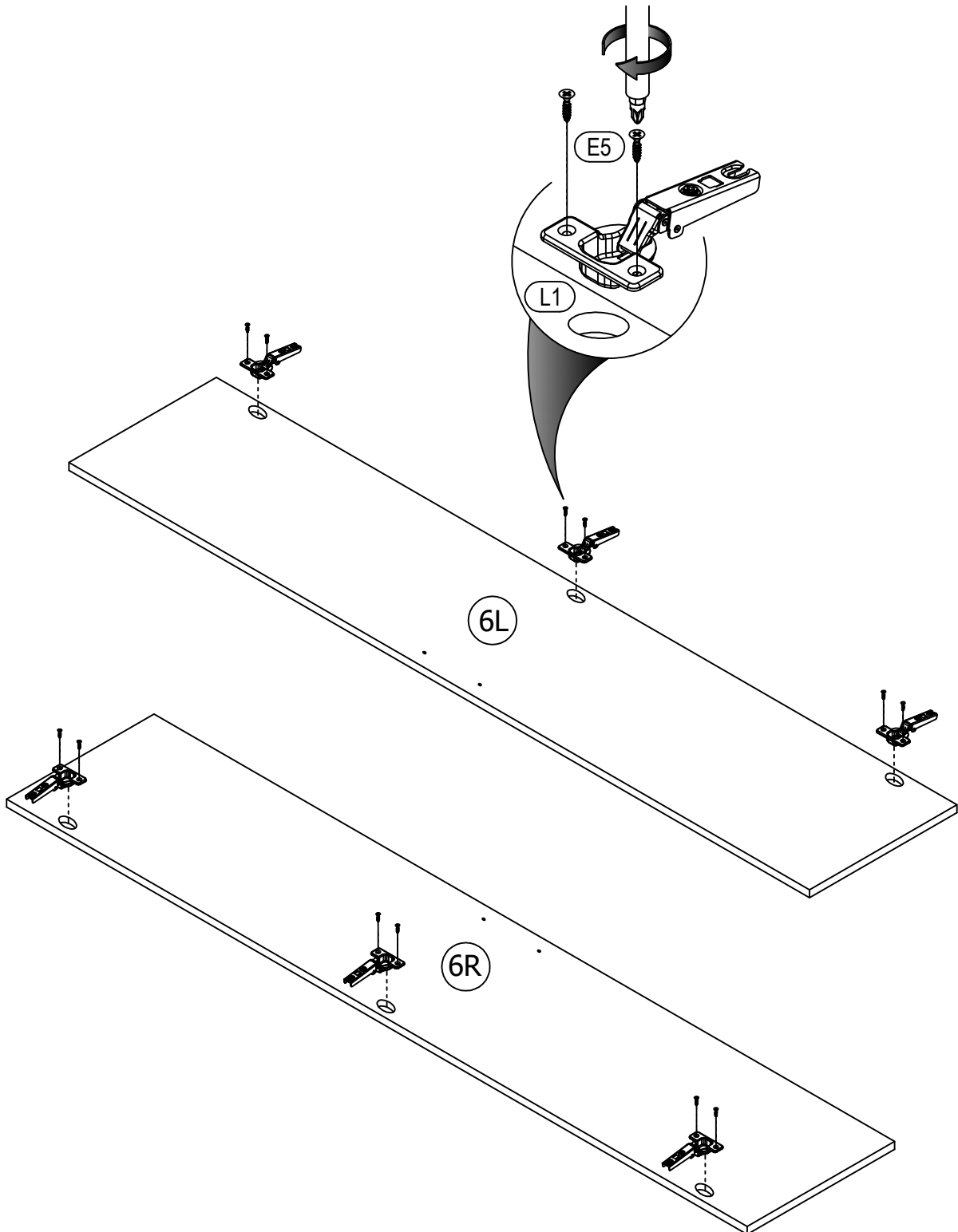
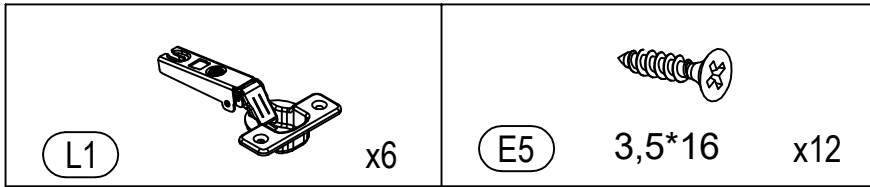


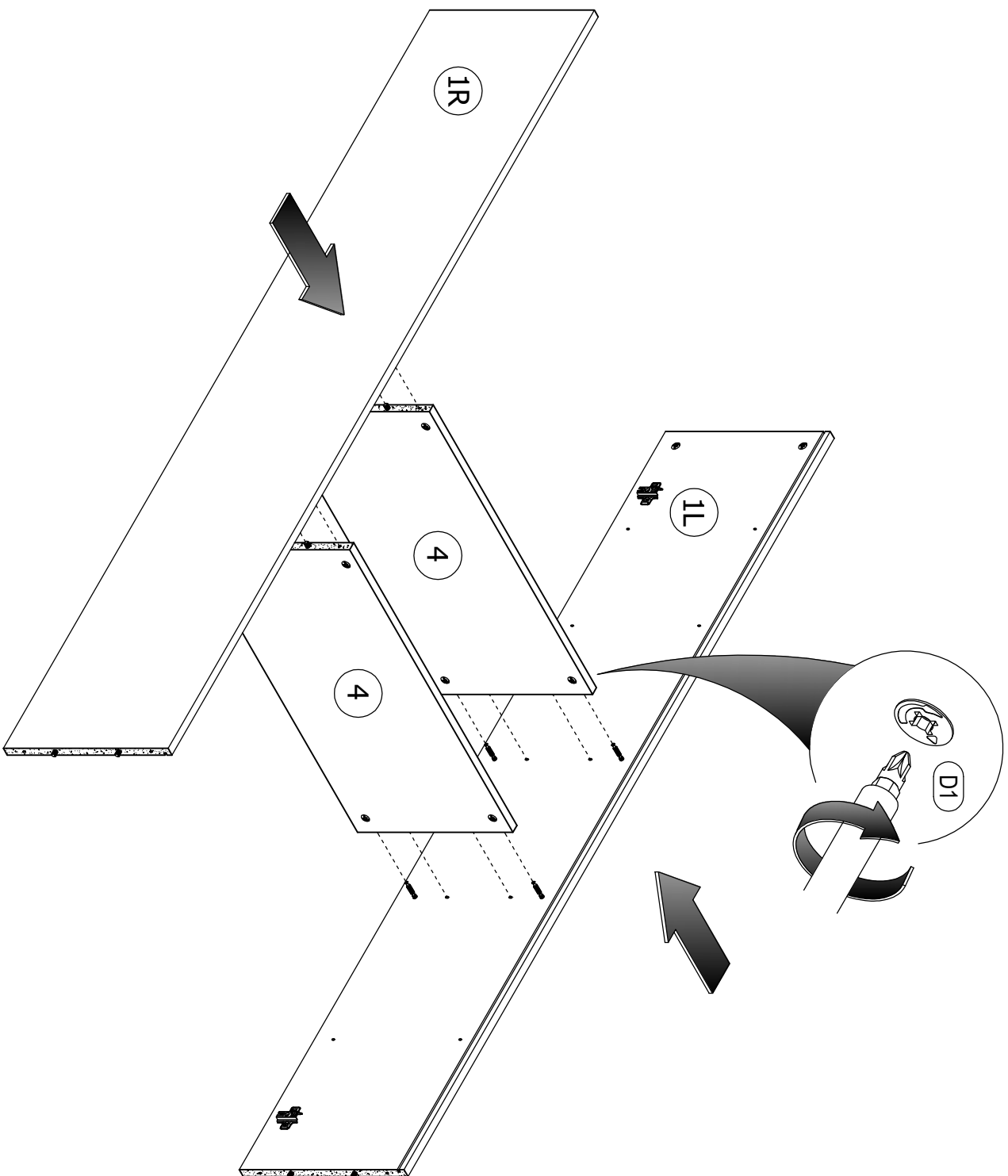
 <p>(L1) x6</p>	 <p>(F3) 6,3*13mm x12</p>	 <p>(C1) 6*43mm x8</p>
 <p>(D1) 15/16 x4</p>	 <p>(A1) x8</p>	

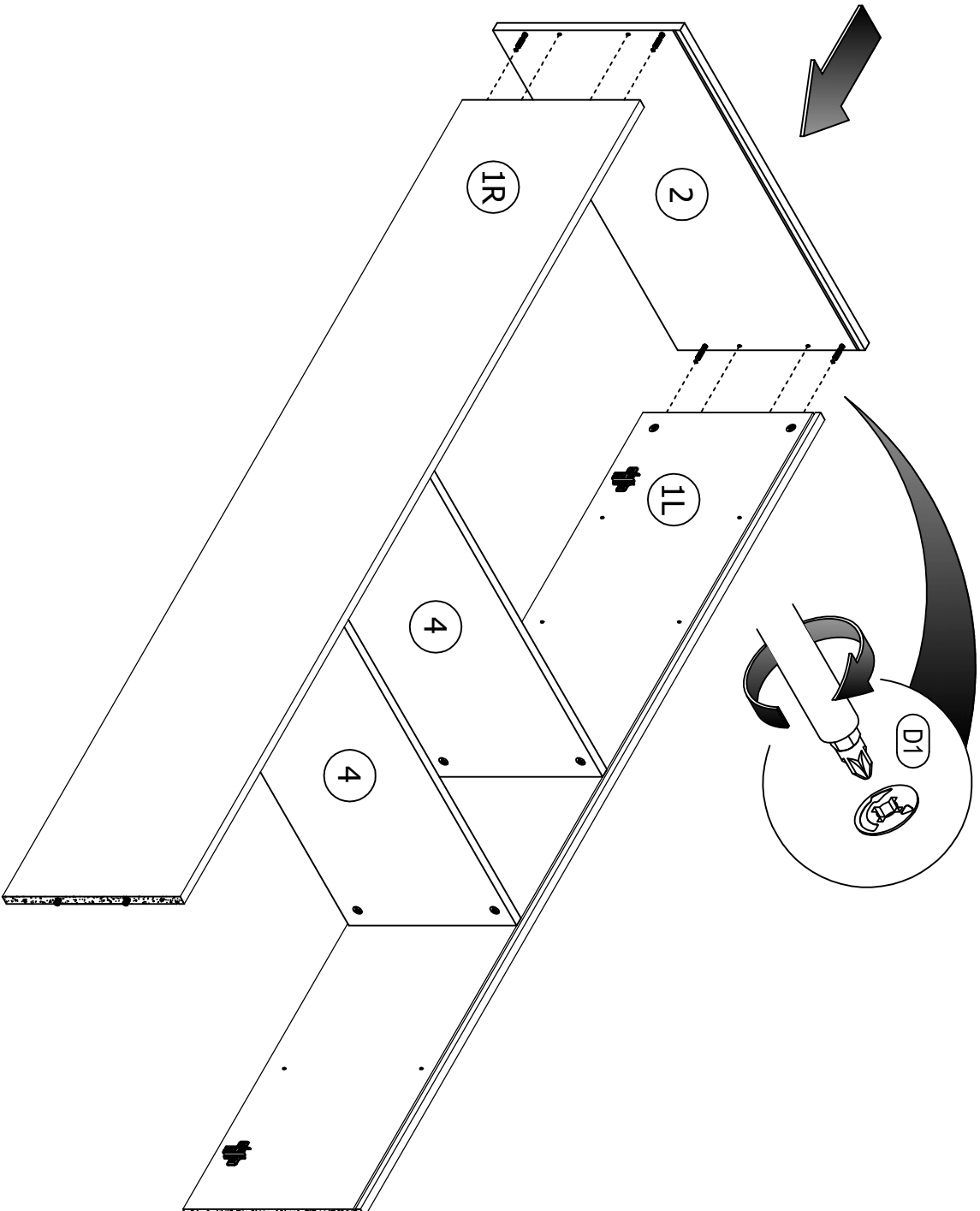


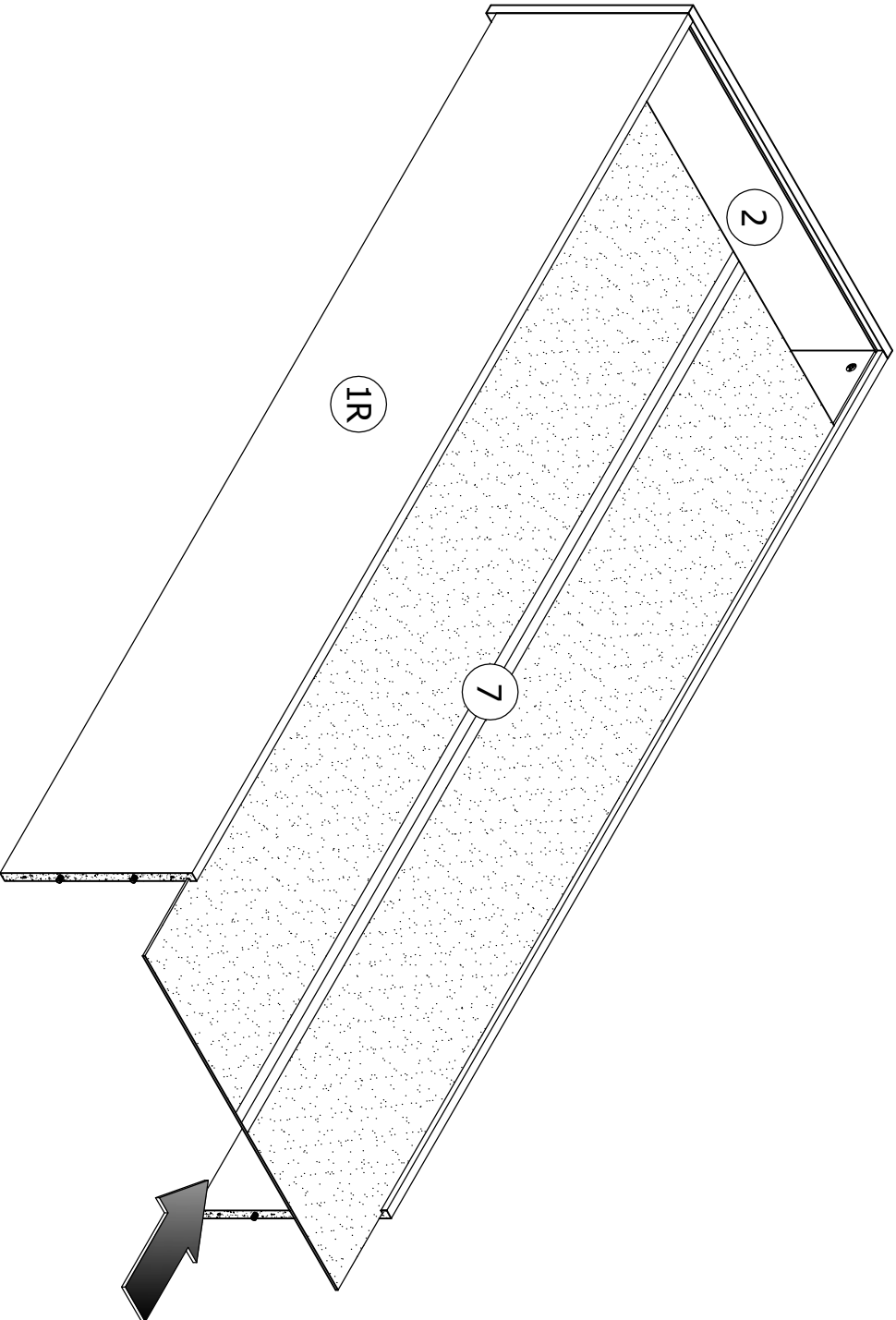
 <p>(K5) x4</p>	 <p>(J4) x4</p>	 <p>(C1) 6*43mm x4</p>
 <p>(D1) 15/16 x8</p>	 <p>(A1) x8</p>	

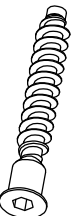
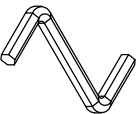


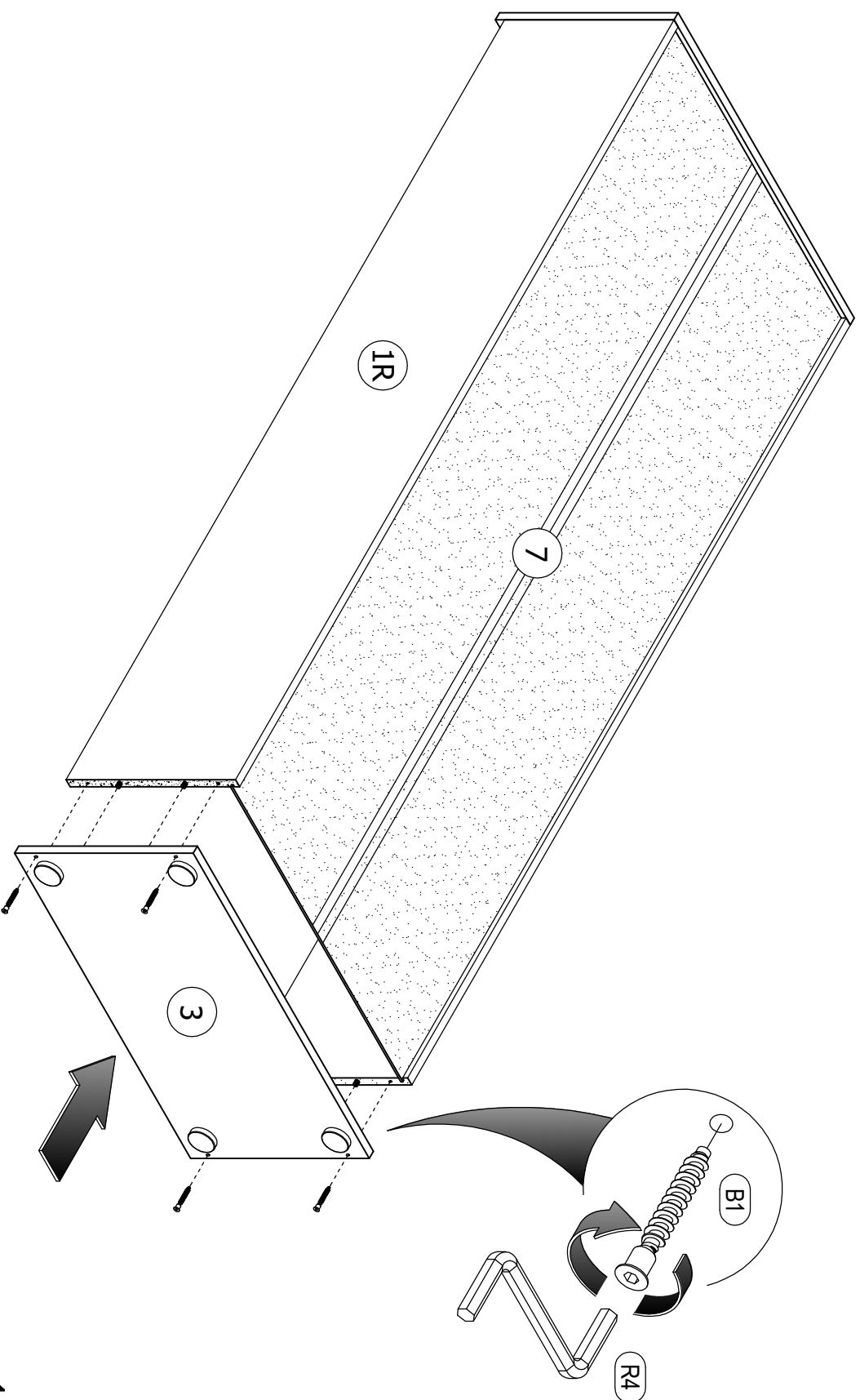


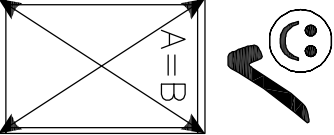
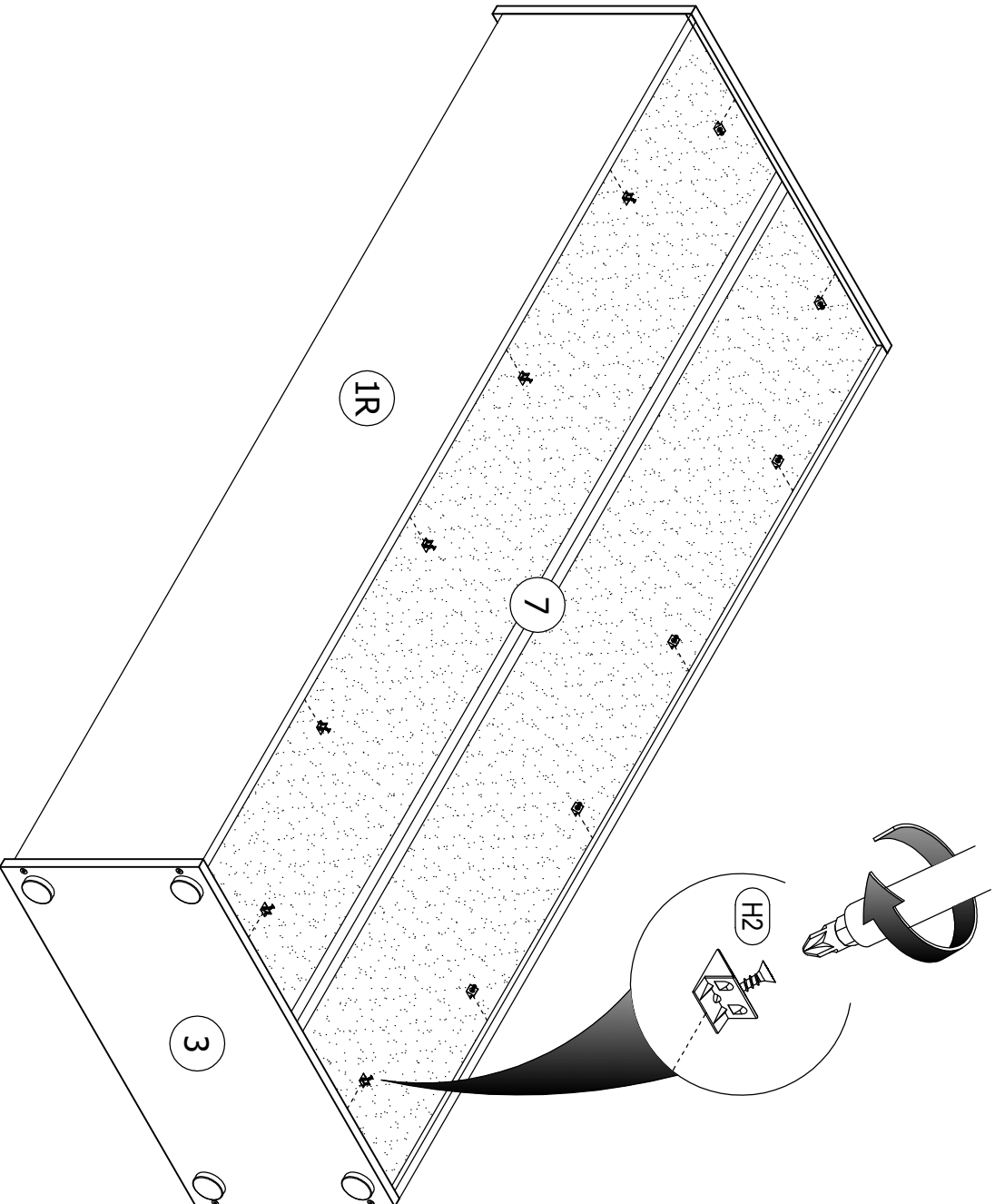
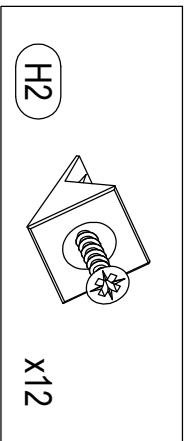


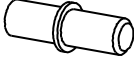



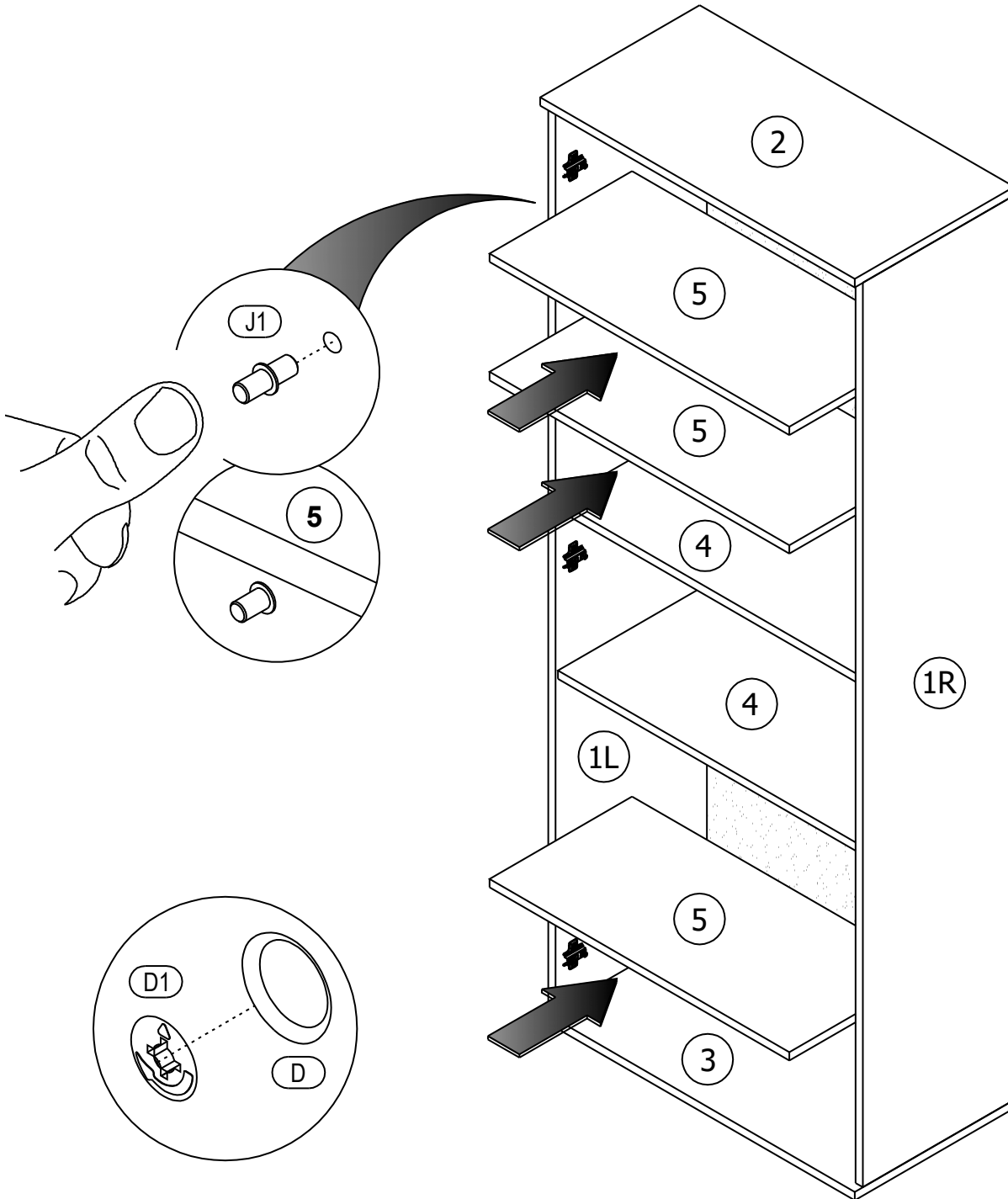


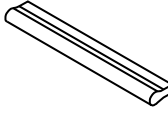

B1		x4
R4		x1

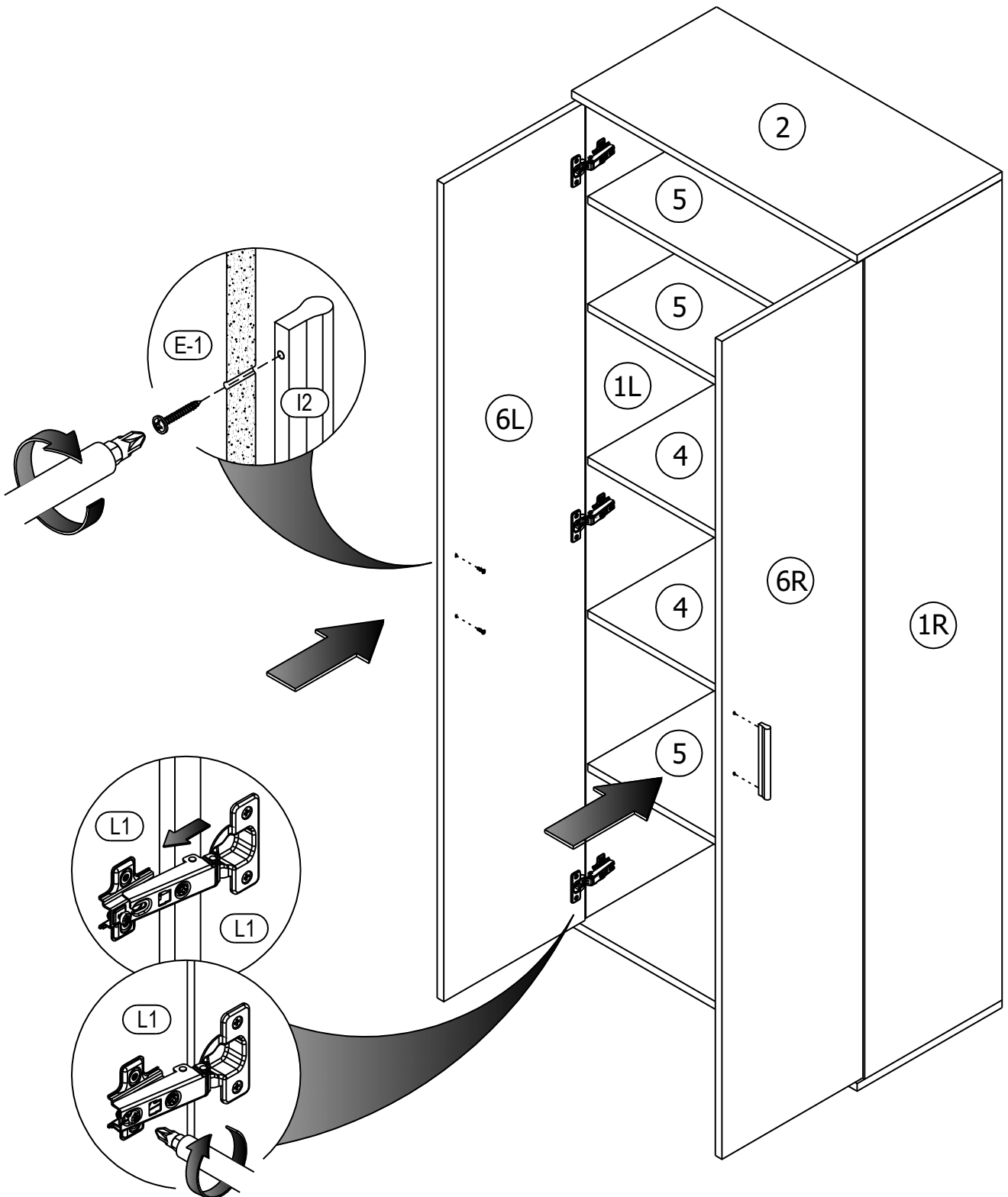


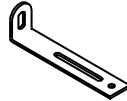

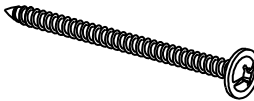



 <p>J1 x12</p>	 <p>D Ø20mm x12</p>
--	--



 <p>(I2) x2</p>	 <p>(E-1) 3,5*27 x4</p>
--	---



 (S16) 77x21x15 x1	 (H5) 8*50mm x1	 (E-5) 4,2*65mm x1
 (E-2) 4,2*16mm x2		

