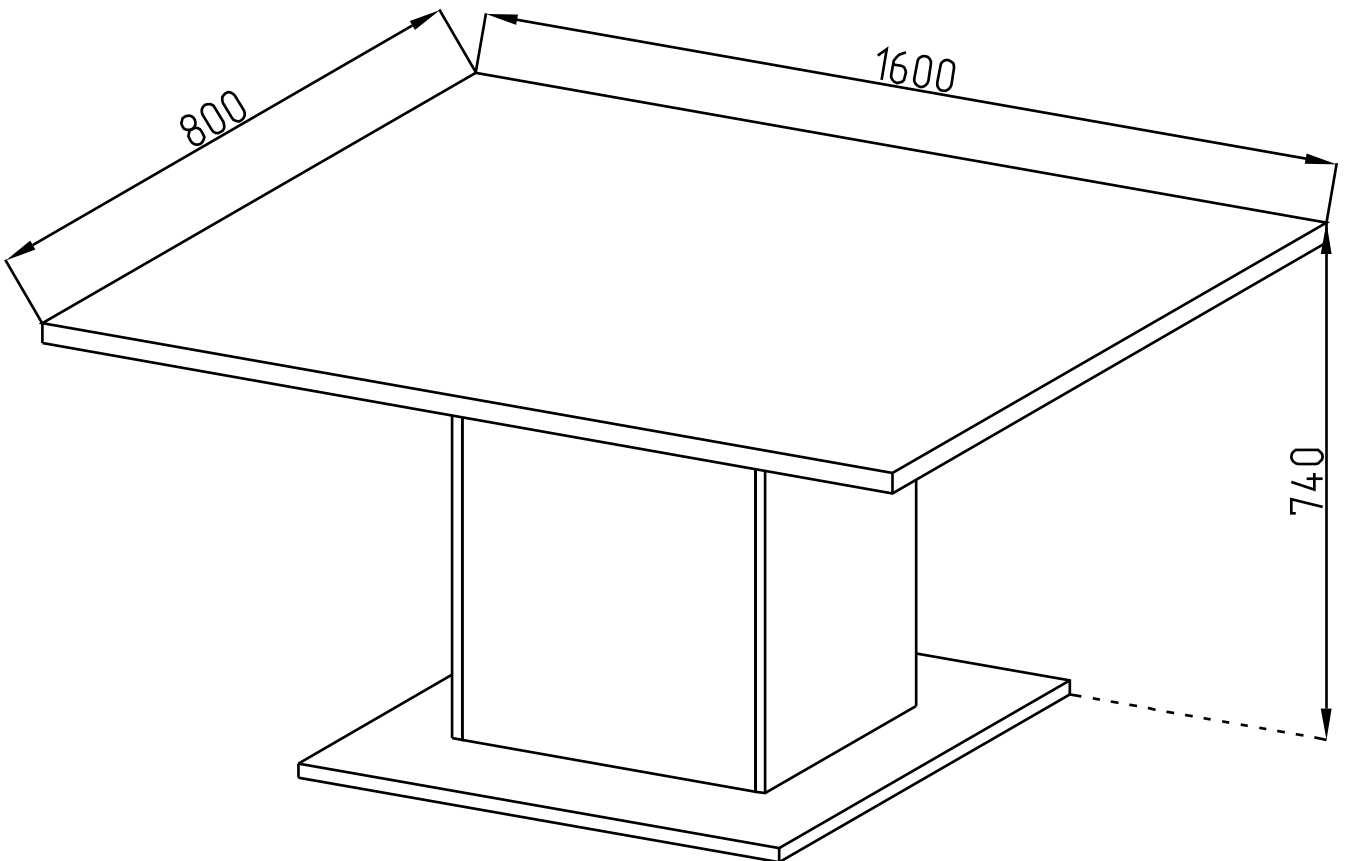
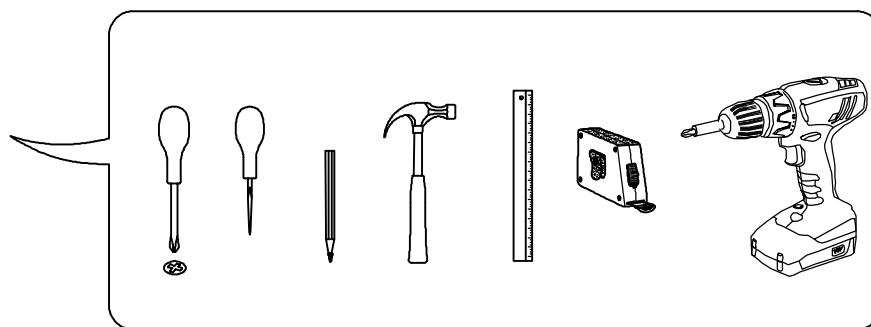
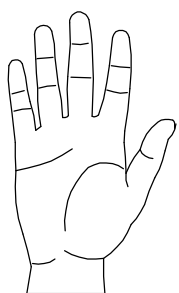










TABLE

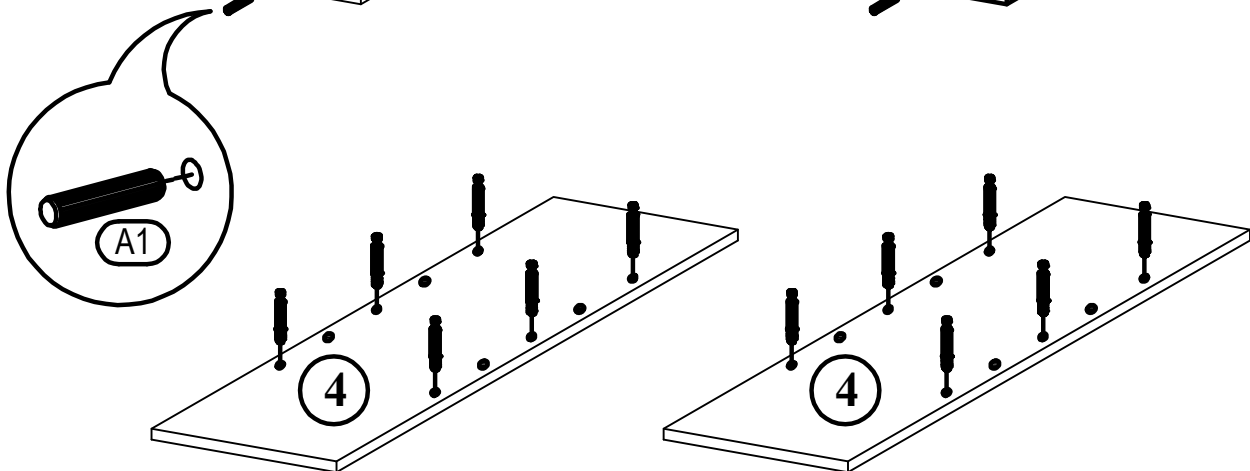
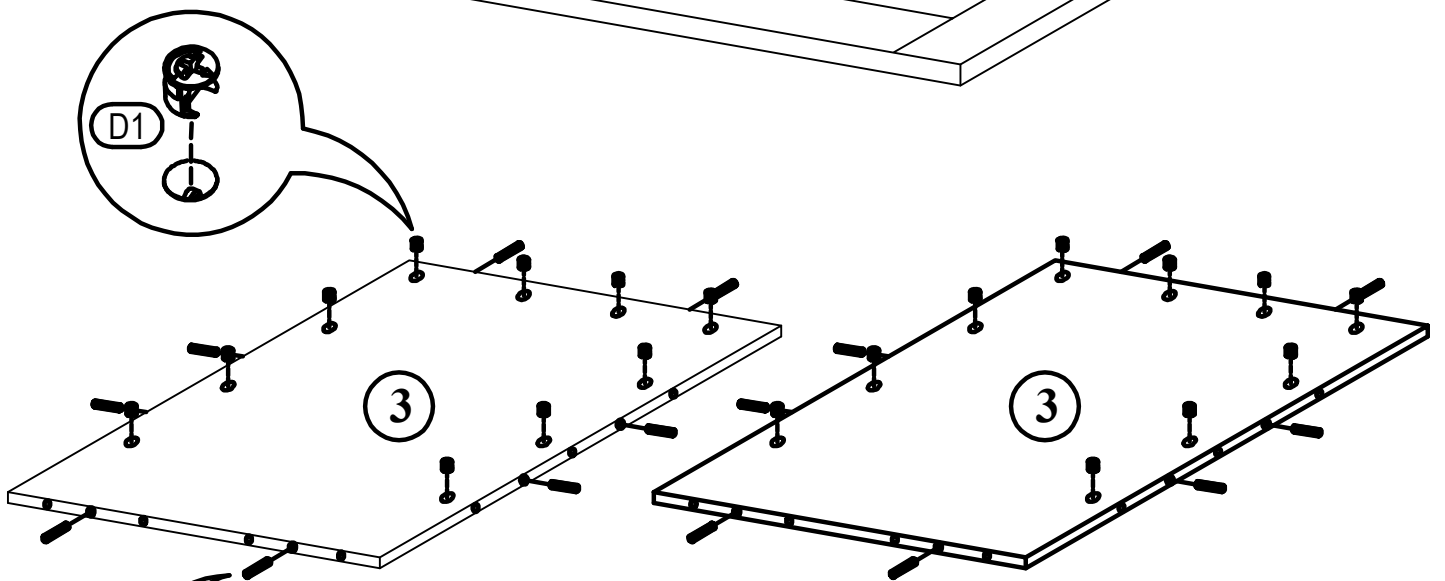
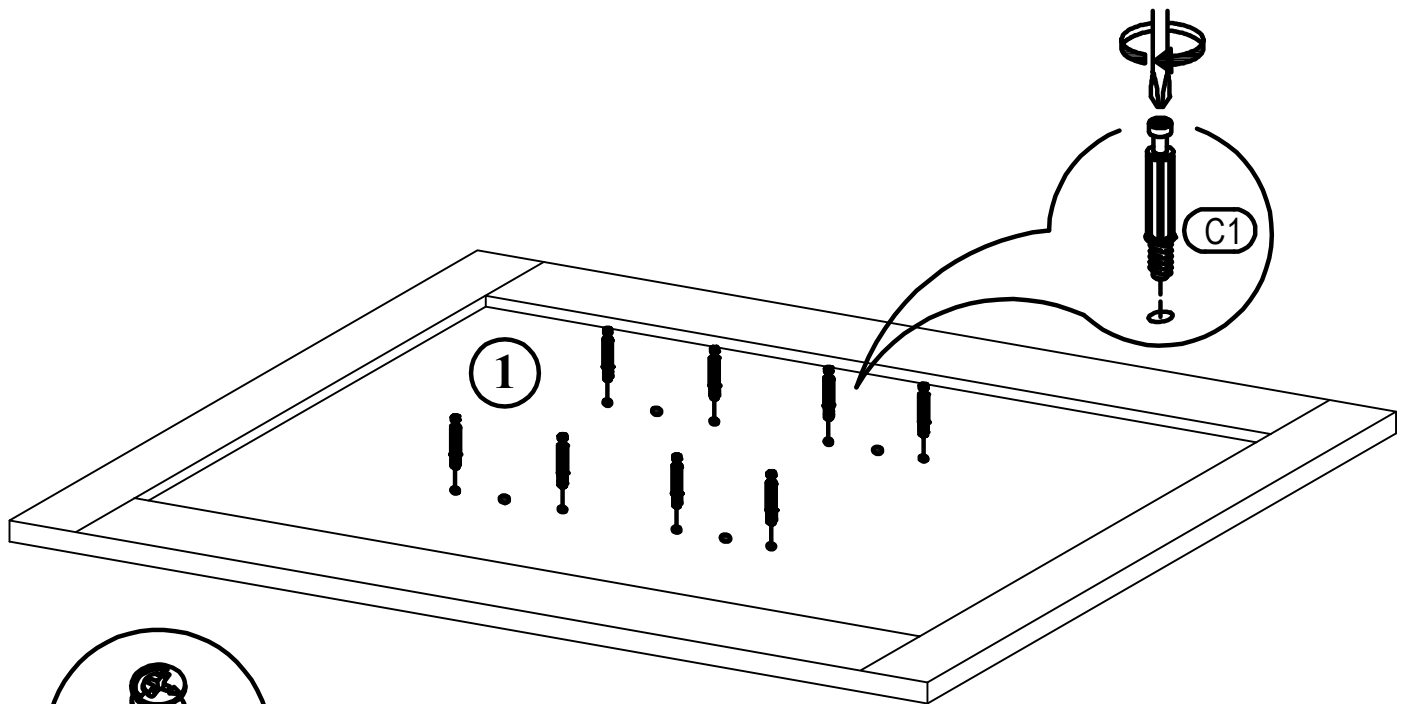


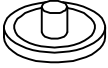
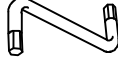


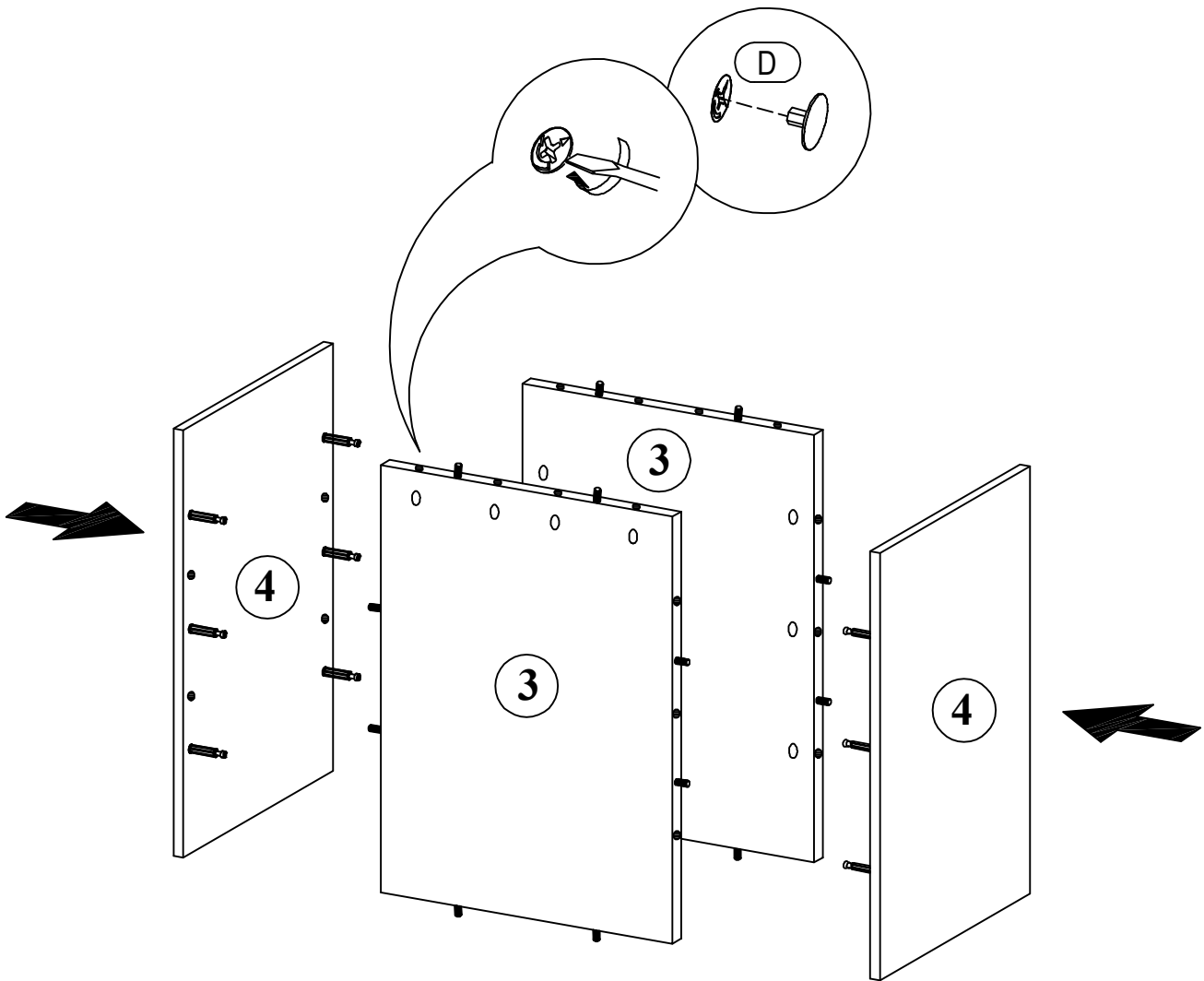
| | | |
|--|--|--|
|  (C1) 6*43mm x20 |  (D1) 15/16 x20 |  (D) ϕ 20mm x20 |
|  (A1) 8*30mm x16 |  (B2) 6,8*70mm x8 |  (B) ϕ 12mm x8 |
|  (R4) N°4 x1 |  (U5) 20*20mm x12 | |



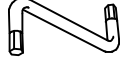

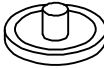
| No | a*b | x |
|----|----------|---|
| 1 | 1600x800 | 1 |
| 2 | 1000x536 | 1 |
| 3 | 696x686 | 2 |
| 4 | 278x686 | 2 |

| | | |
|---|--|---|
|  (C1) 6*43mm x20 |  (D1) 15/16 x20 |  (A1) 8*30mm x16 |
|---|--|---|



| | |
|---|--|
|  |  |
| (D) $\phi 20\text{mm}$ x12 | (R4) N°4 x1 |



| | | |
|---|---|---|
|  B2 6,8*70mm x8 |  B ϕ 12mm x8 |  R4 N°4 x1 |
| |  U5 20*20mm x12 |  D ϕ 20mm x8 |

