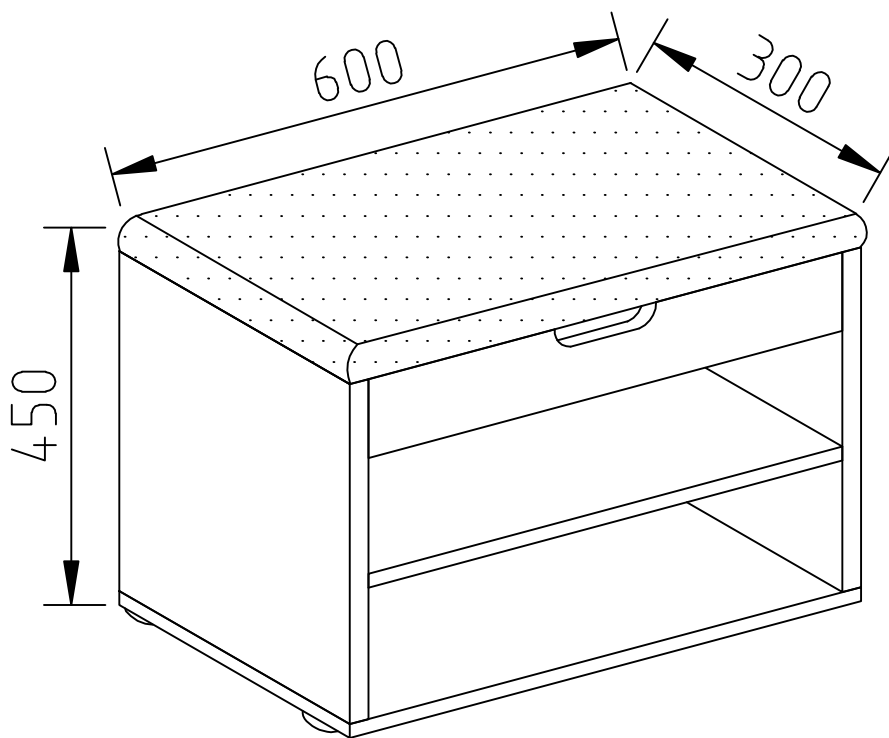
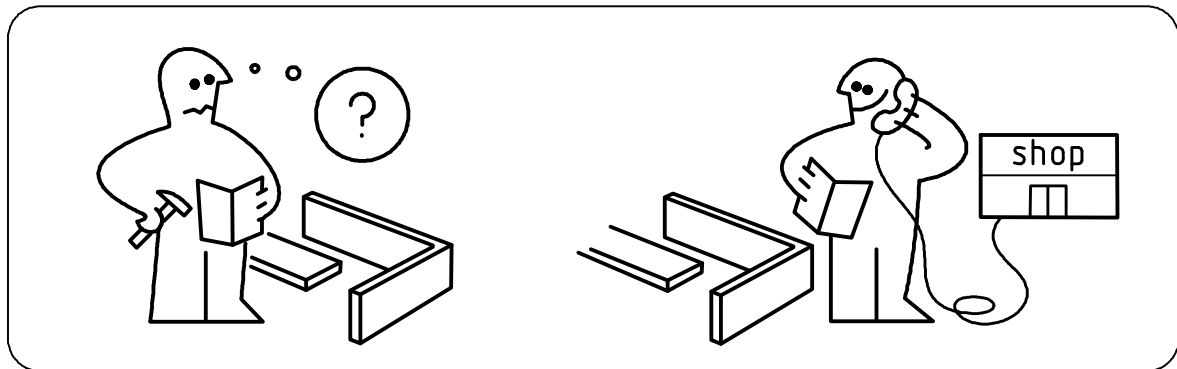
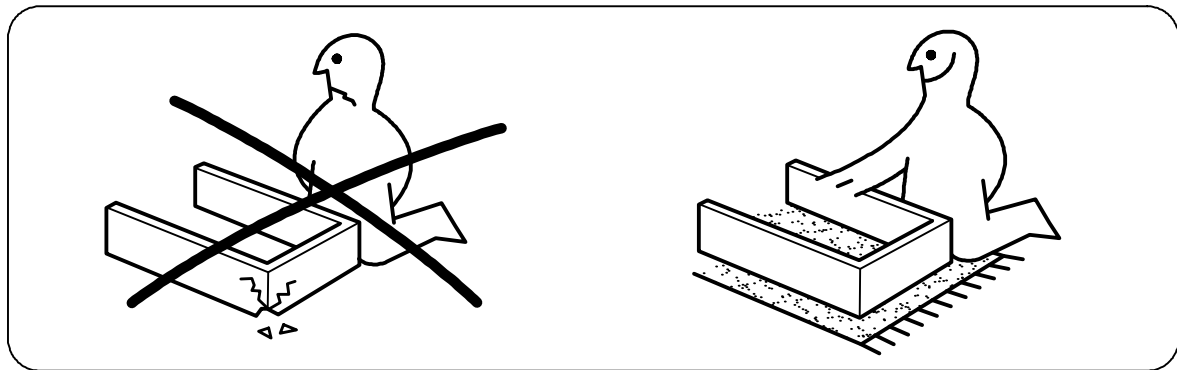
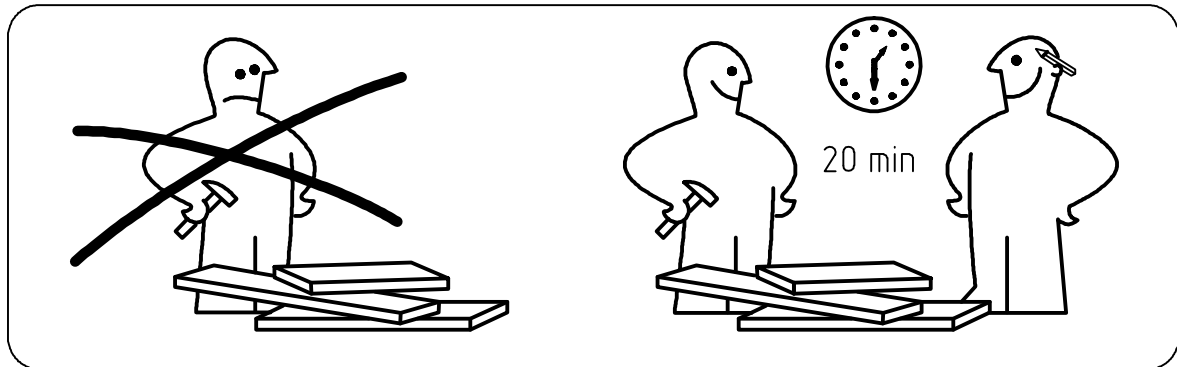
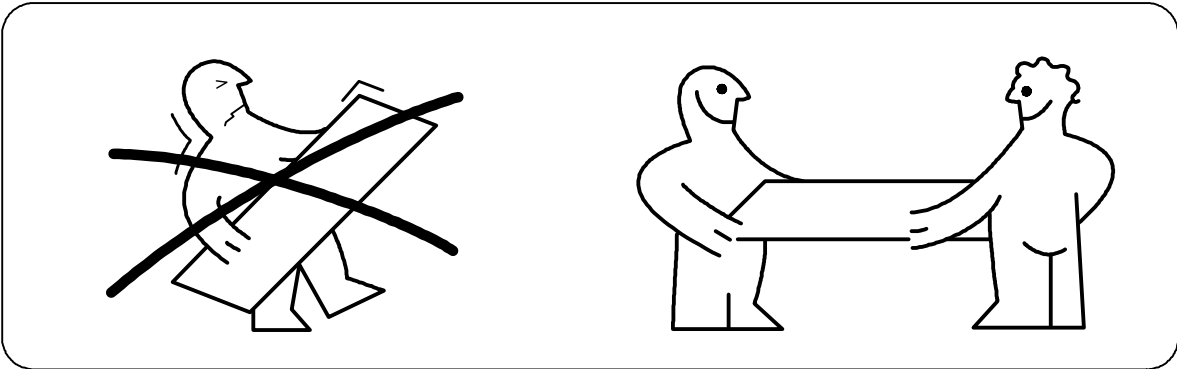
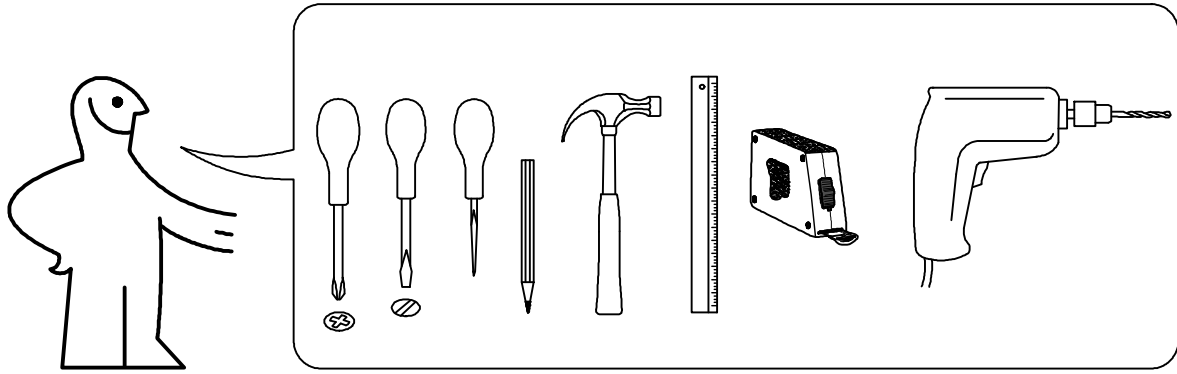




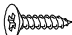




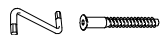


Rolfe

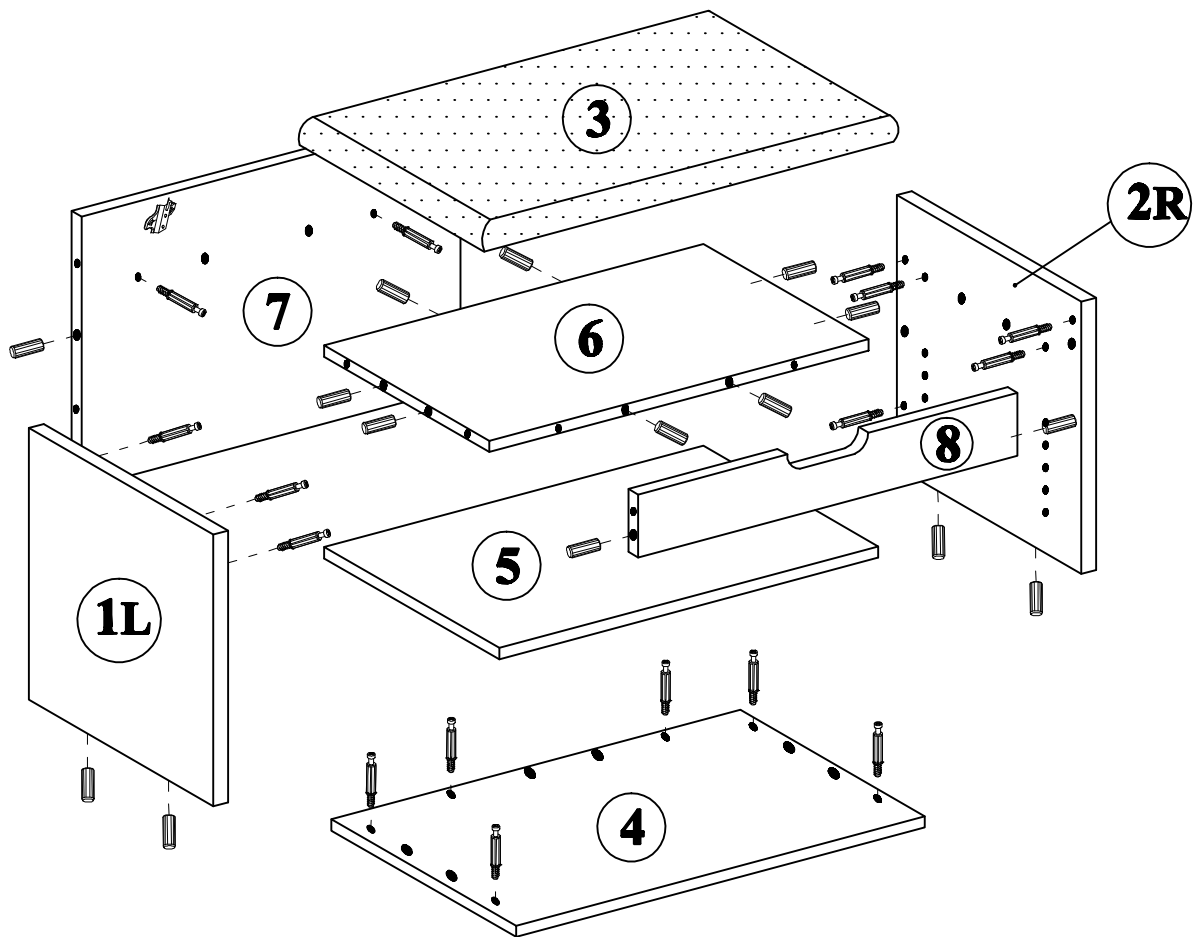
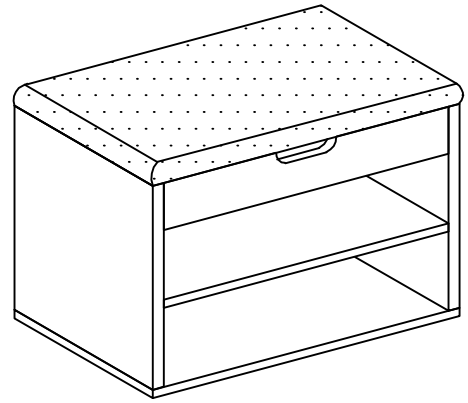






| | | |
|---|--|---|
|  A1 8*30mm x18 |  C1 5*30mm x20 |  D x20 |
|  D1 16mm x20 |  E8 4*16mm x4 |  L1 x2 |
|  F1 6,3*13mm x4 |  K5 x4 |  J1 5*16mm x4 |

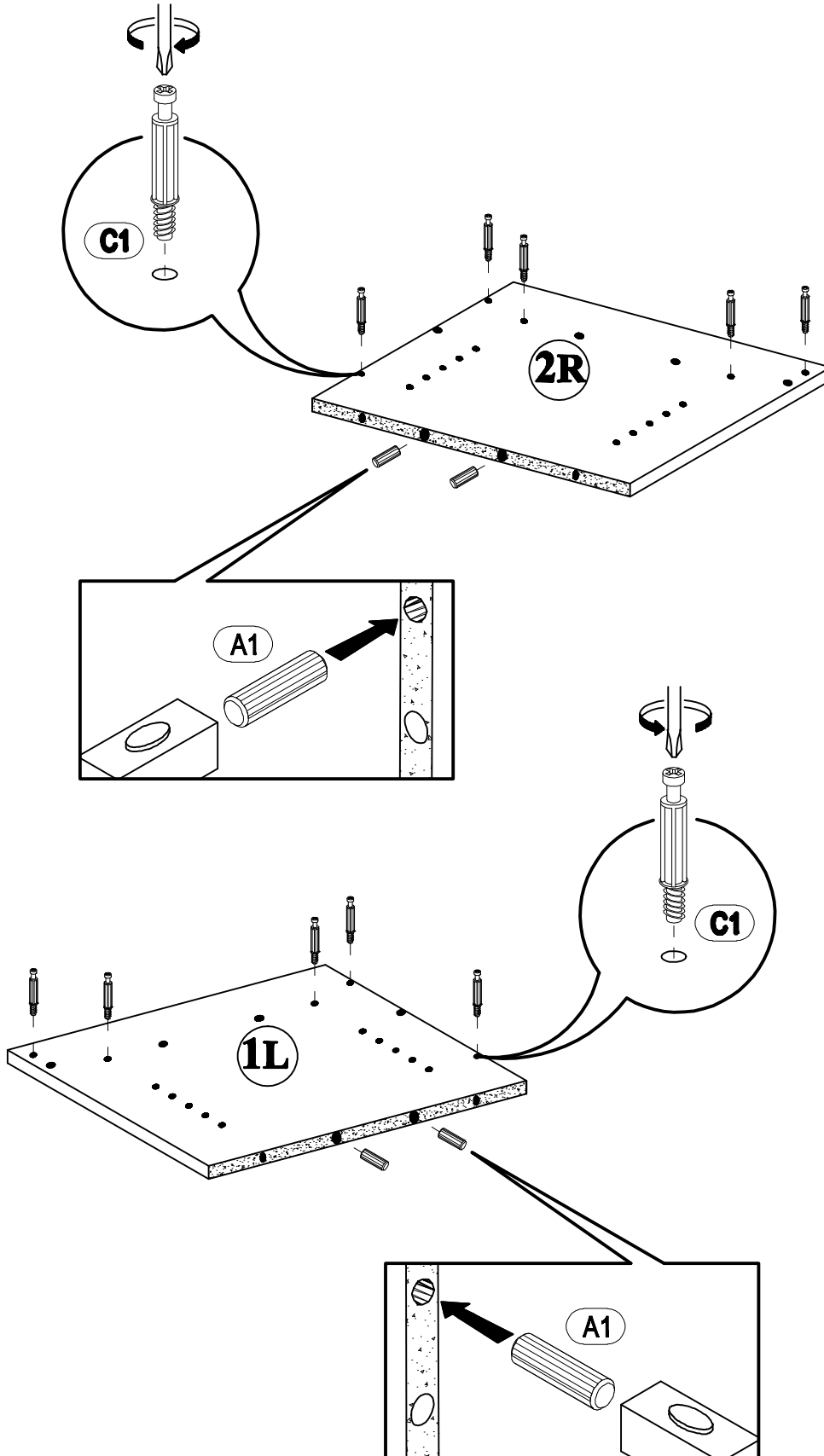
| Nº | a*b | x | Nº→... |
|-----------|---|----------|---------------|
| 1L | 388x300 | x1 | |
| 2R | 388x300 | x1 | |
| 3 | 604x304 | x1 | |
| 4 | 600x300 | x1 | |
| 5 | 568x284 | x1 | |
| 6 | 568x268 | x1 | |
| 7 | 568x388 | x1 | |
| 8 | 568x90 | x1 | |
| | | | |
| |  | x1 | |




1




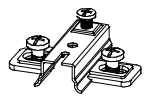
2

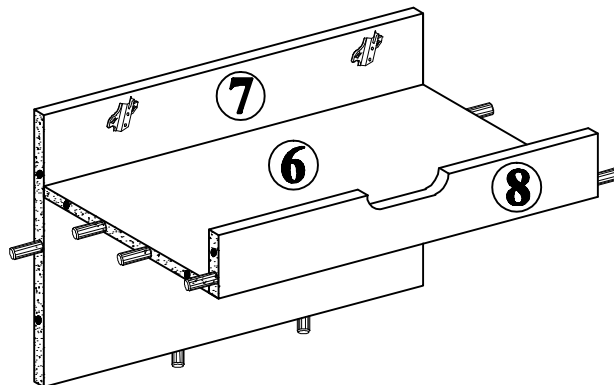
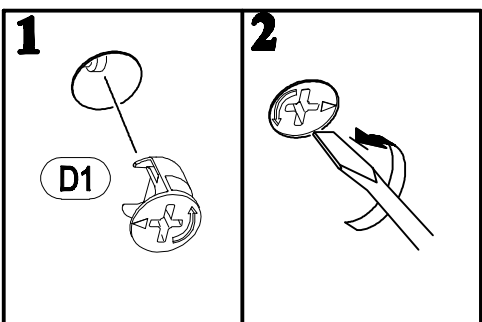
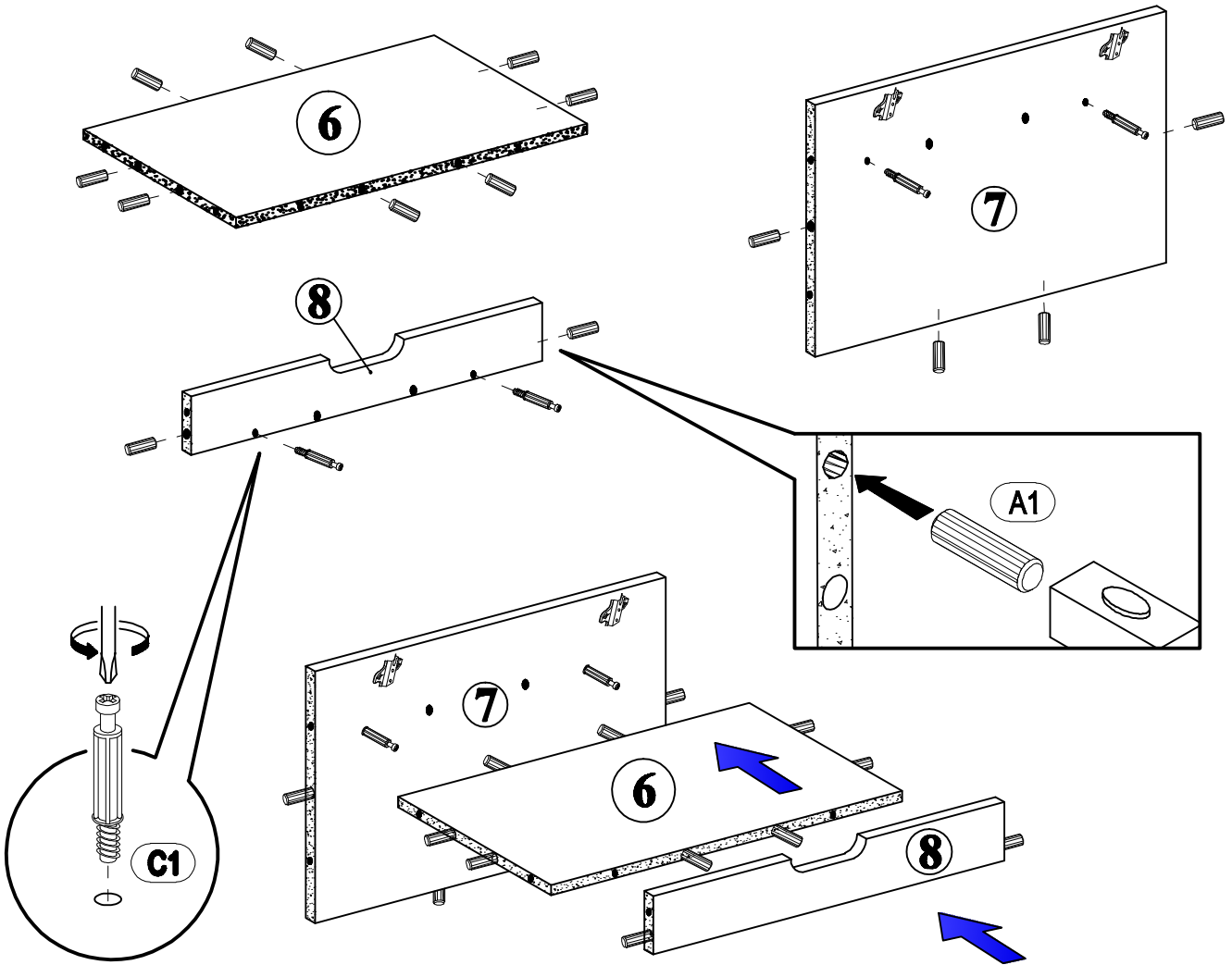
| | |
|--|--|
|  A1 8*30mm x4 |  C1 5*30mm x10 |
|--|--|



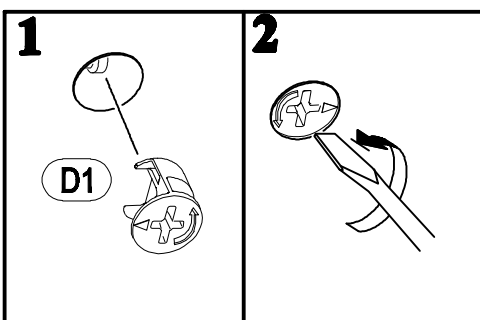
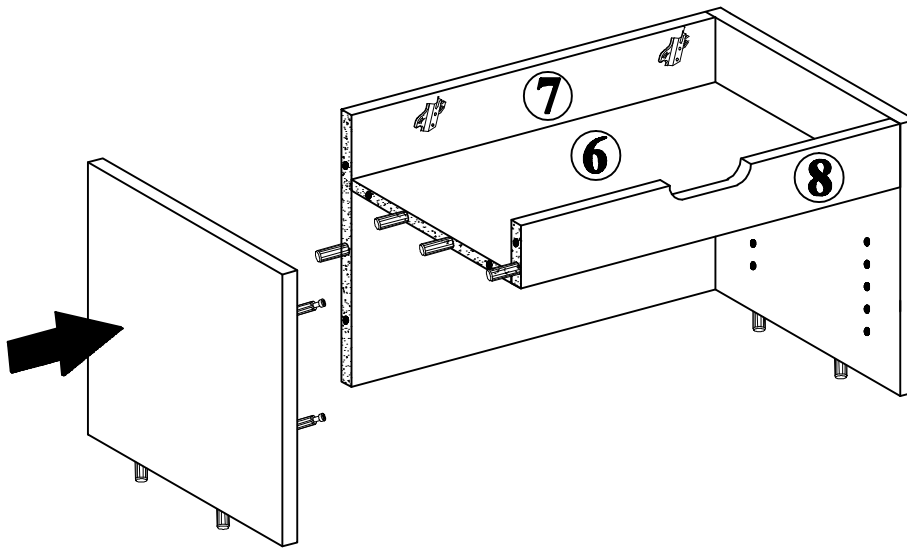
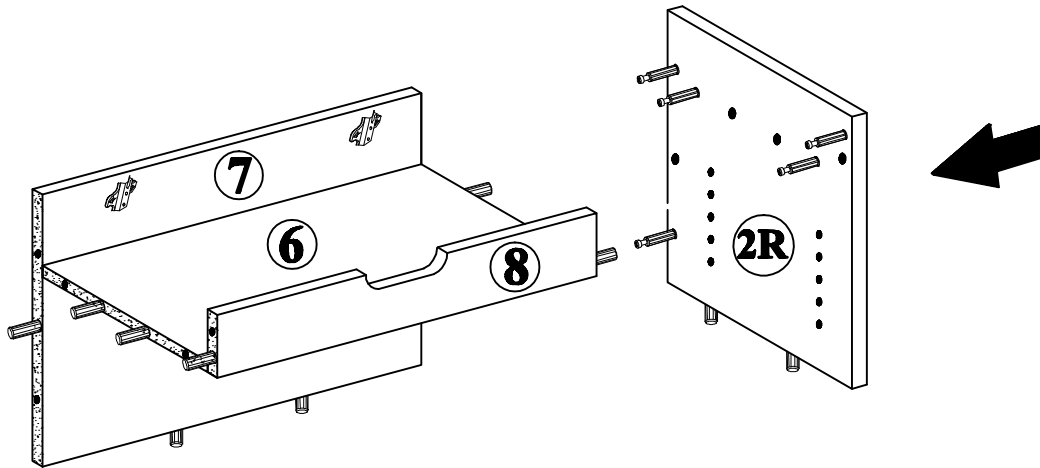
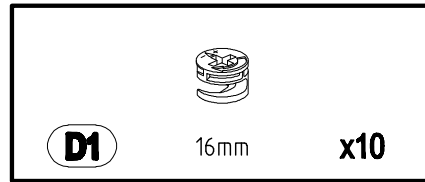
| | | |
|---|--|--|
|  A1 8*30mm x14 |  C1 5*30mm x4 |  D1 16mm x4 |
|---|--|--|

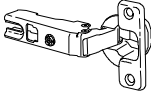
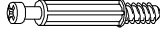


3

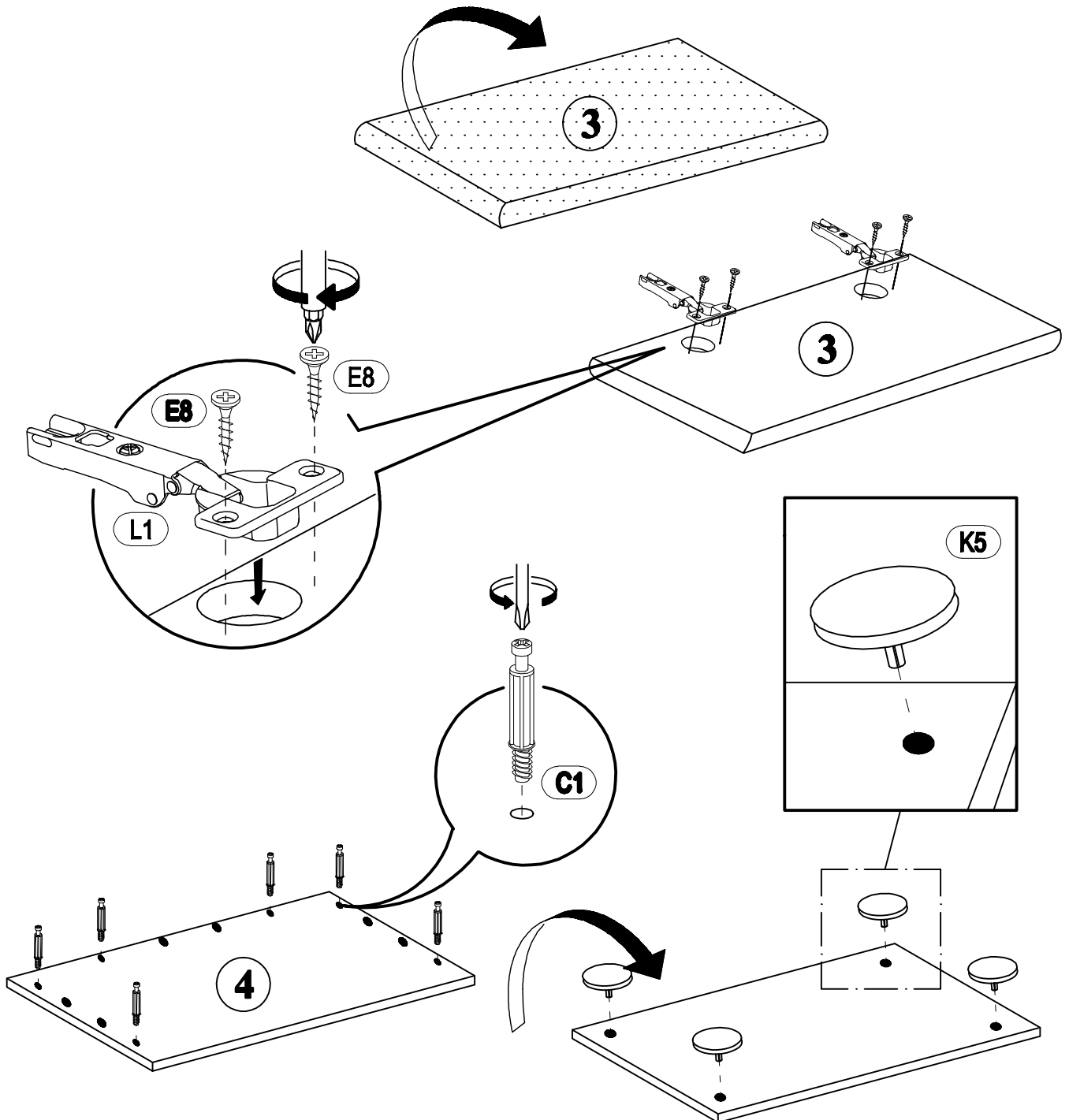
| | |
|--|--|
|  F1 6,3*13mm x4 |  L1 x2 |
|--|--|





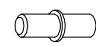
4



| | | |
|---|--|--|
|  L1 x2 |  C1 5*30mm x6 |  E8 4*16mm x4 |
| 5 | | |
|  K5 x4 | | |



6

| | | |
|--|---|--|
|  D1 16mm x6 |  D x24 |  J1 5*16mm x4 |
|--|---|--|

