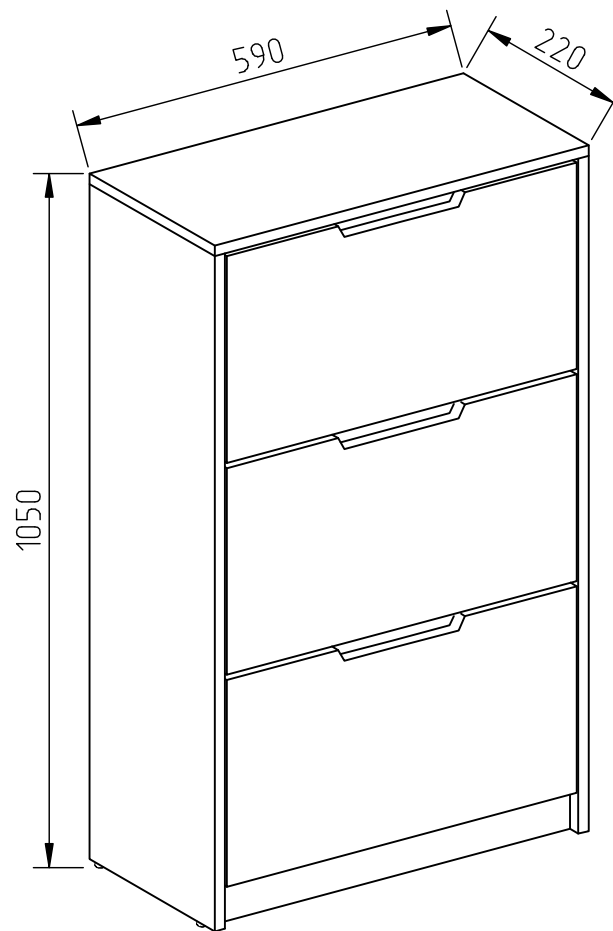
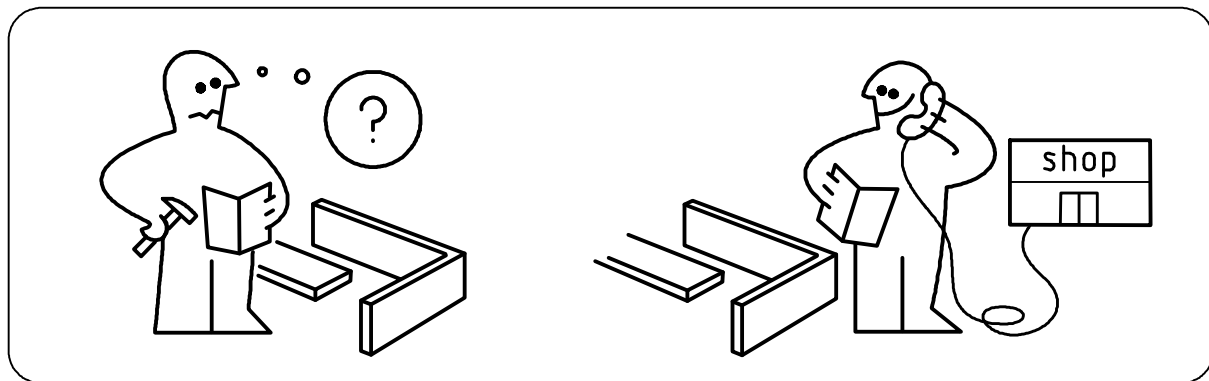
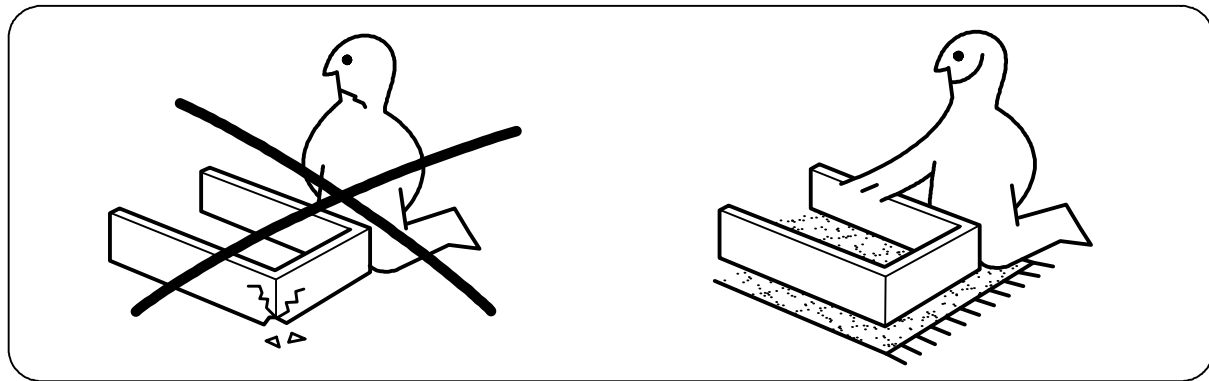
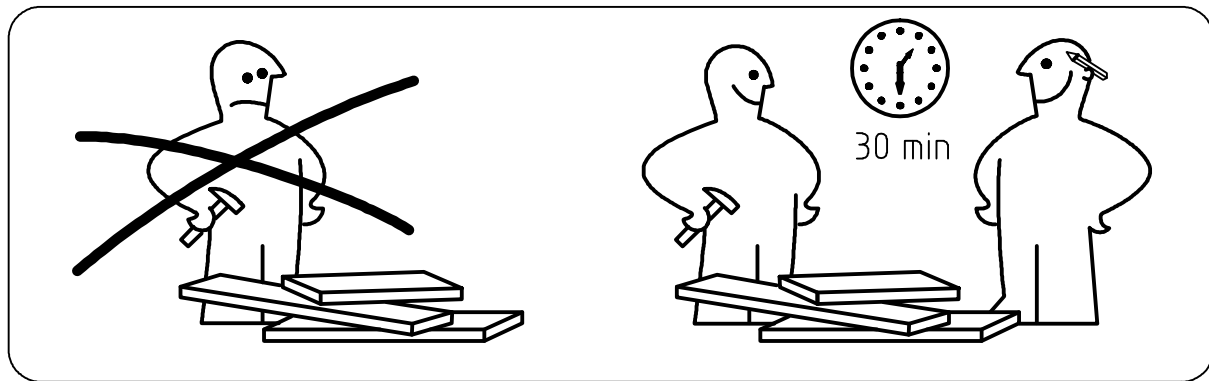
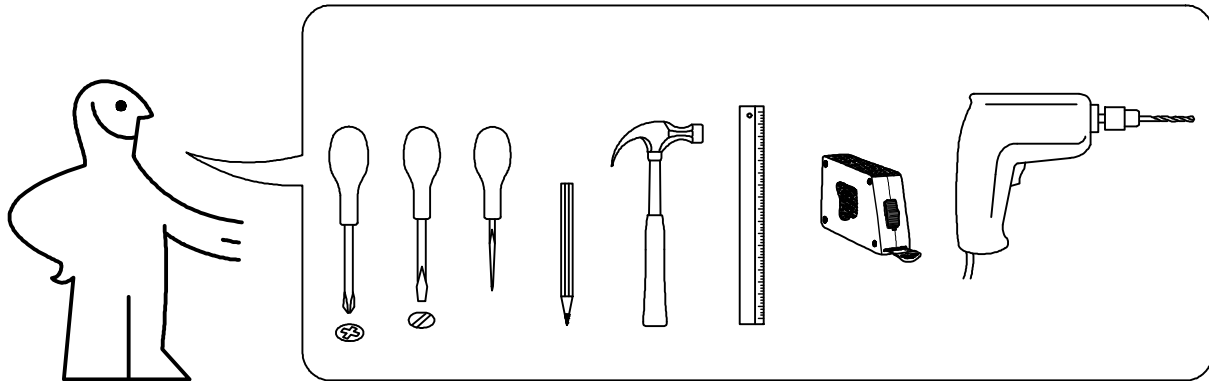
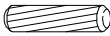



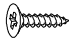




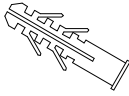
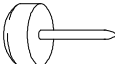
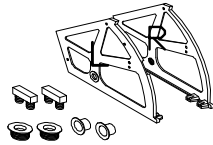
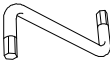
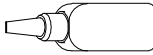


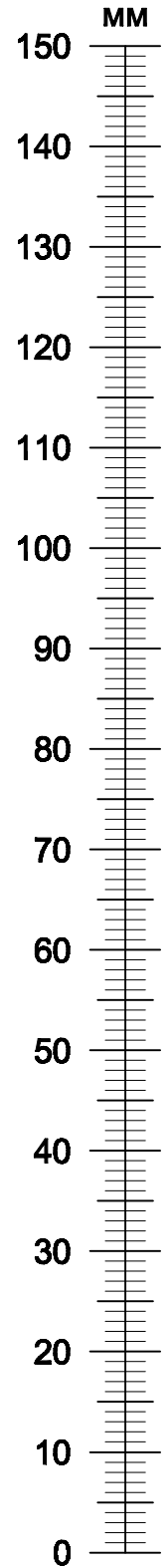
# LUKA

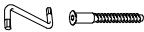
---

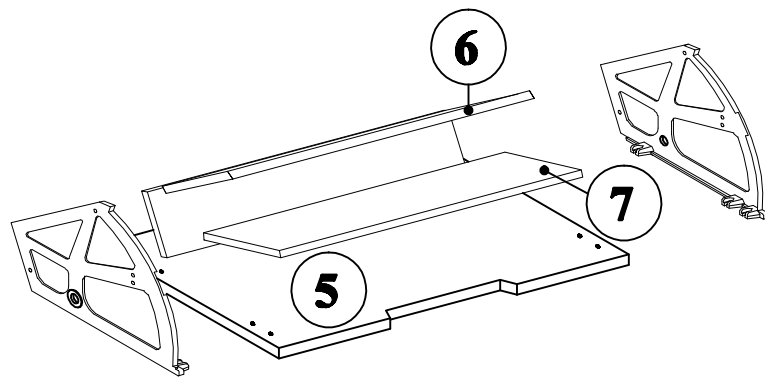
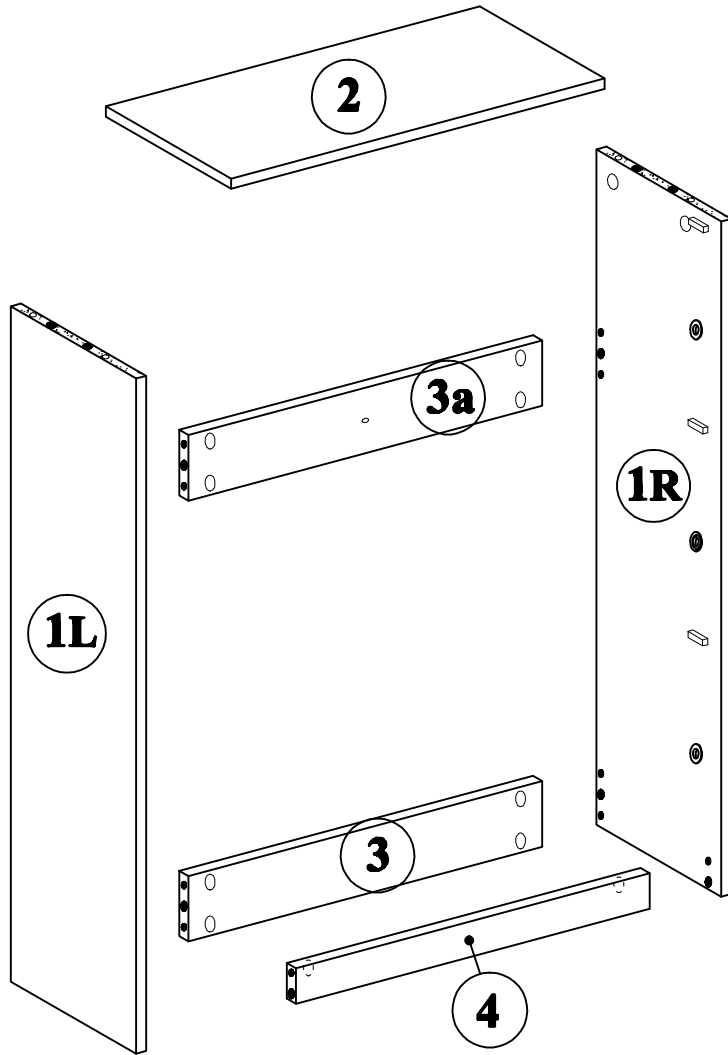
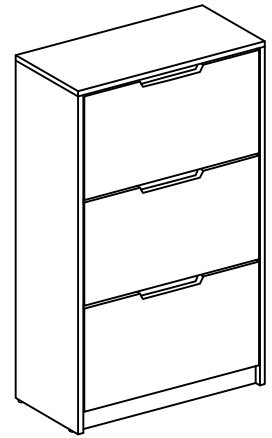




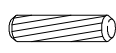
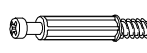

 <b>A1</b> 8*30mm x10	 <b>C1</b> 5*30mm x14	 <b>D</b> x14
 <b>D1</b> 16mm x14	 <b>E5</b> 3,5*16mm x18	 <b>E16</b> 5*50mm x1
 <b>F1</b> 6,3*13mm x18	 <b>F3</b> 5,0*13mm x6	 <b>G4</b> M 4 *25MM x6
 <b>H5</b> 8*40mm x1	 <b>K1</b> x4	 <b>N2</b> x3
 <b>R4</b> N°4 x1	 <b>R1</b> x1	

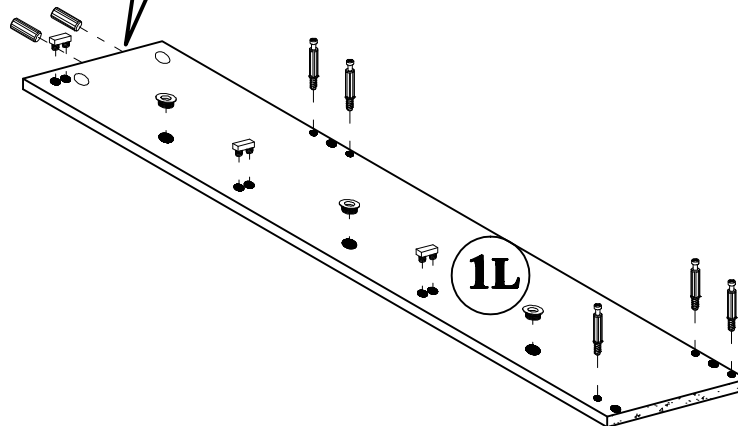
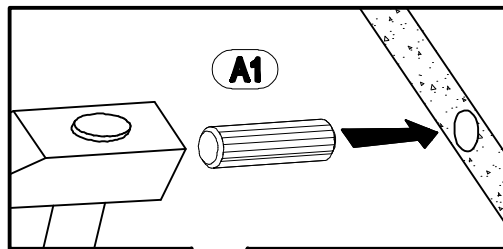
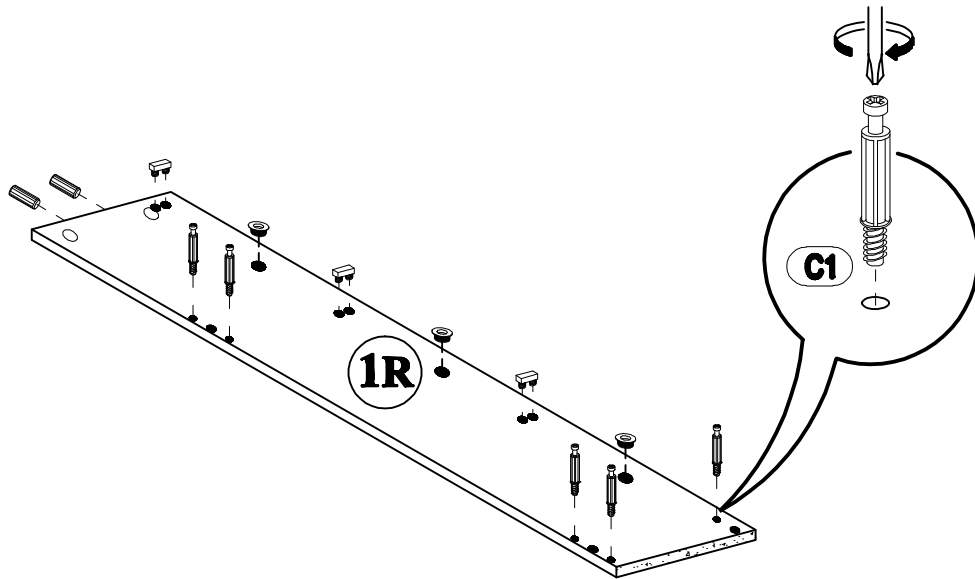


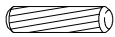

<b>Nº</b>	<b>a*b*c</b>	<b>x</b>	<b>Nº→...</b>
1L	1028x220x16	x1	1
1R	1028x220x16	x1	1
2	590x220x16	x1	1
3	558x100x16	x1	1
3a	558x100x16	x1	1
4	558x54x16	x1	1
5	562x314x16	x3	1
6	548x90x10	x3	1
7	548x142x10	x6	1
		x1	1



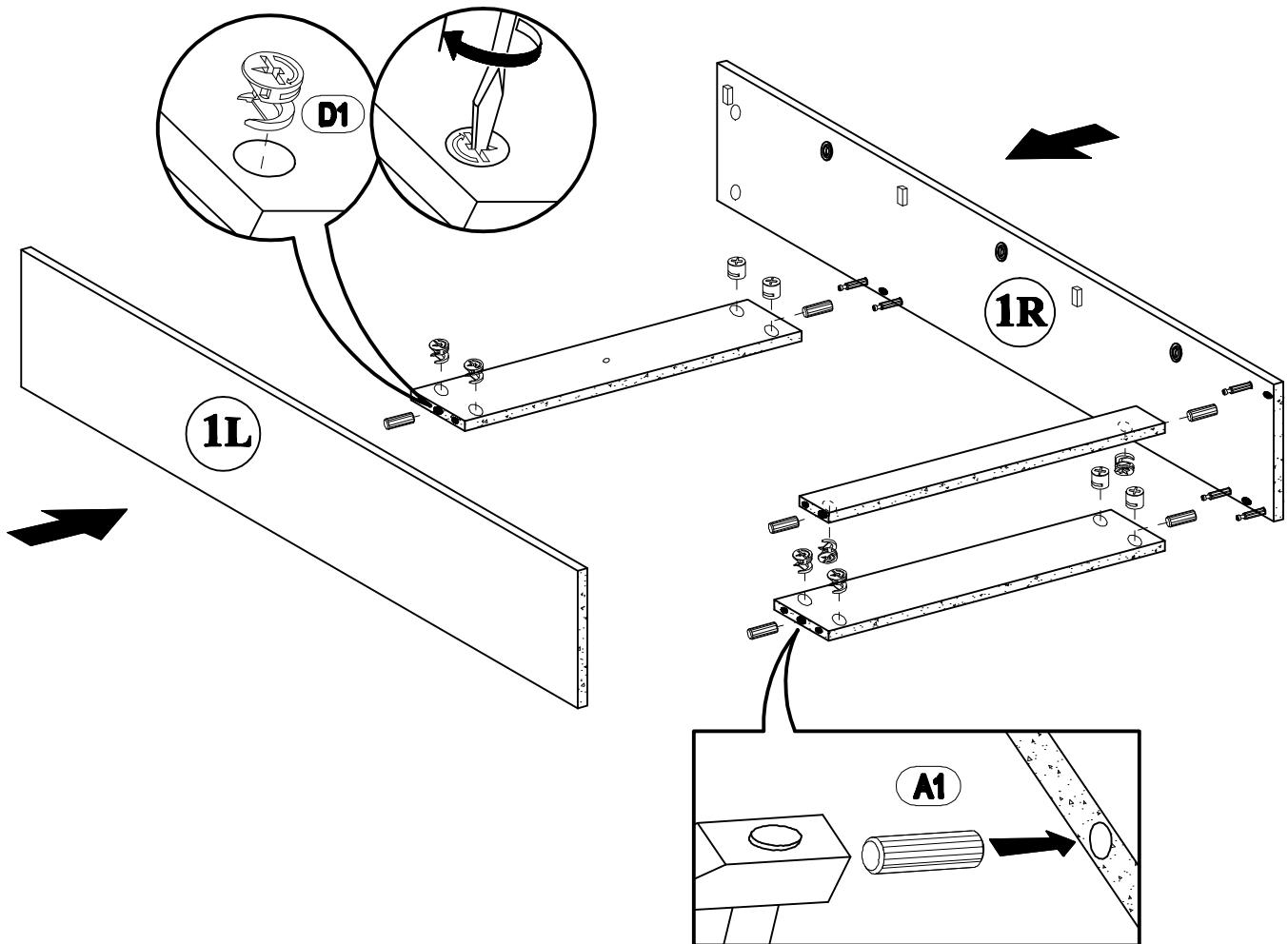
1

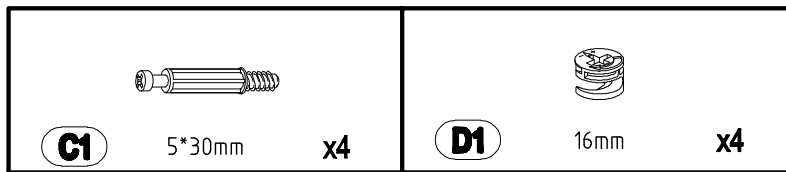
 <p><b>A1</b> 8*30mm x4</p>	 <p><b>C1</b> 5*30mm x10</p>
 <p><b>N2</b> x6</p>	



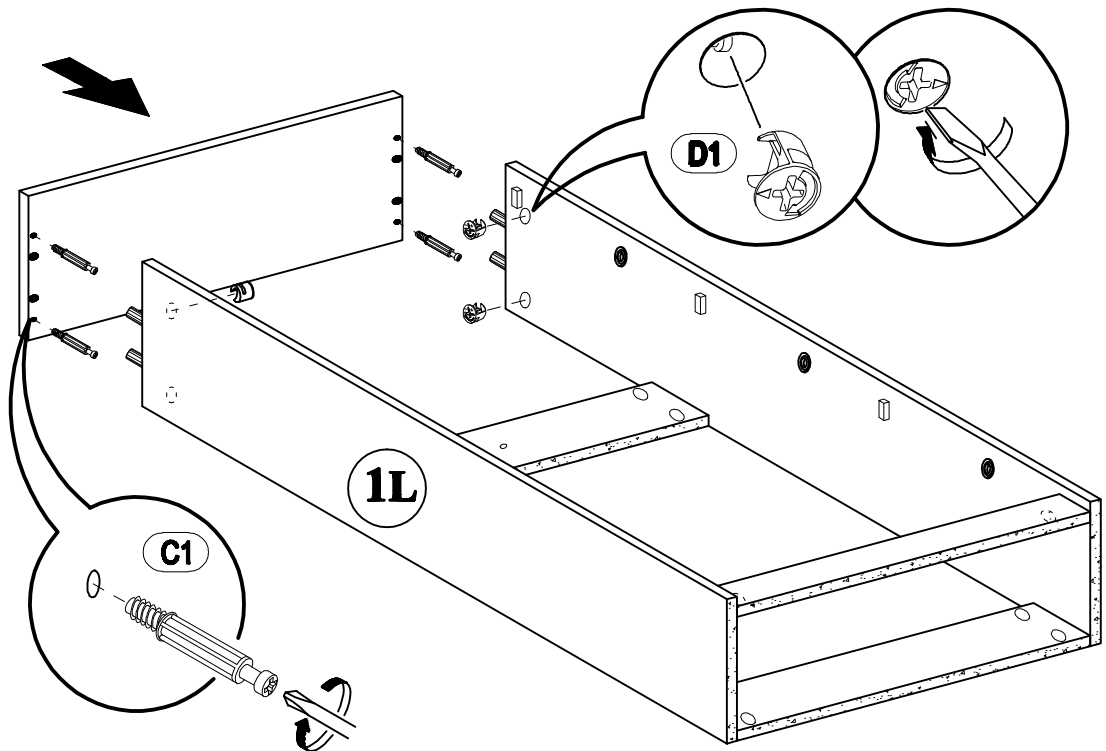
 <b>A1</b> 8*30mm x6	 <b>D1</b> 16mm x10
--	---

# 2

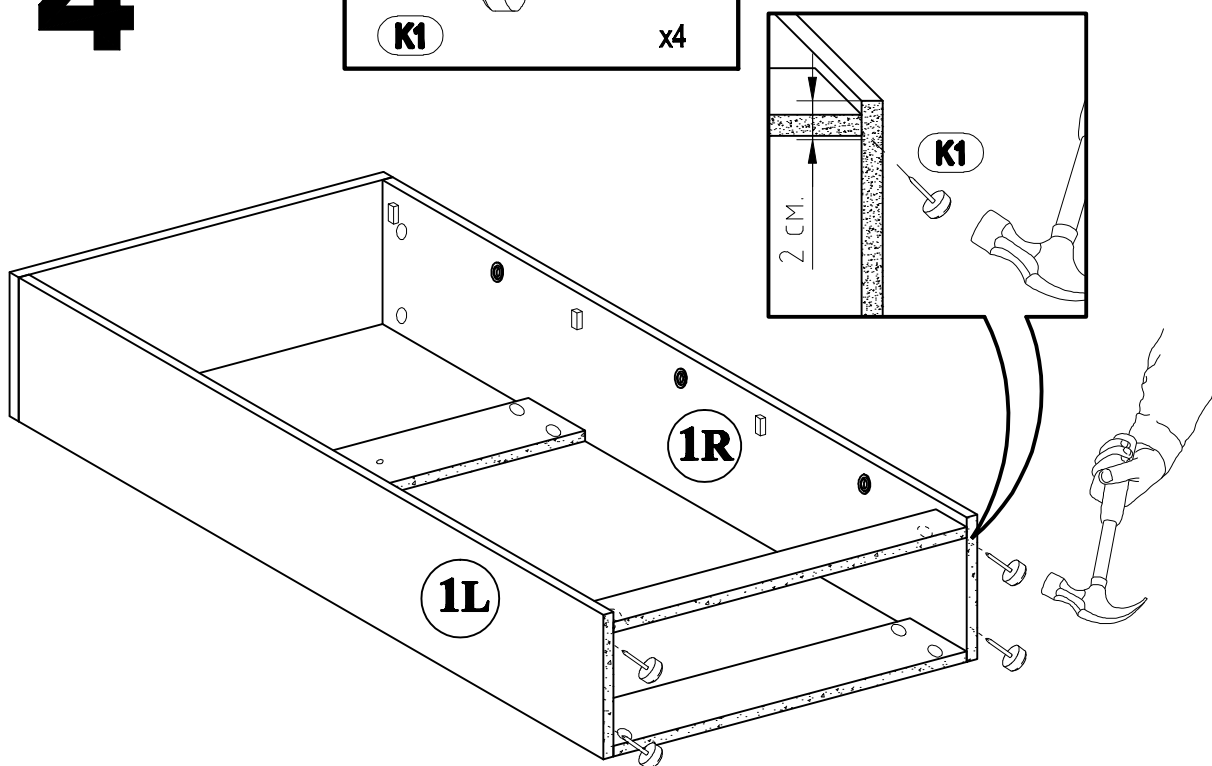
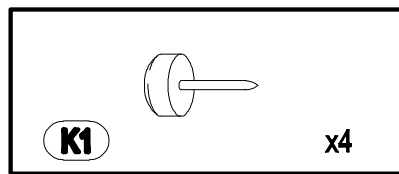




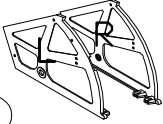


**3**



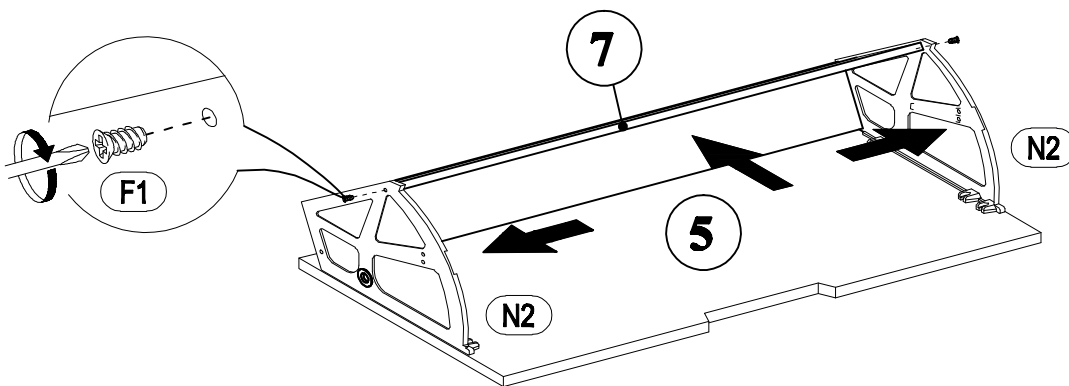
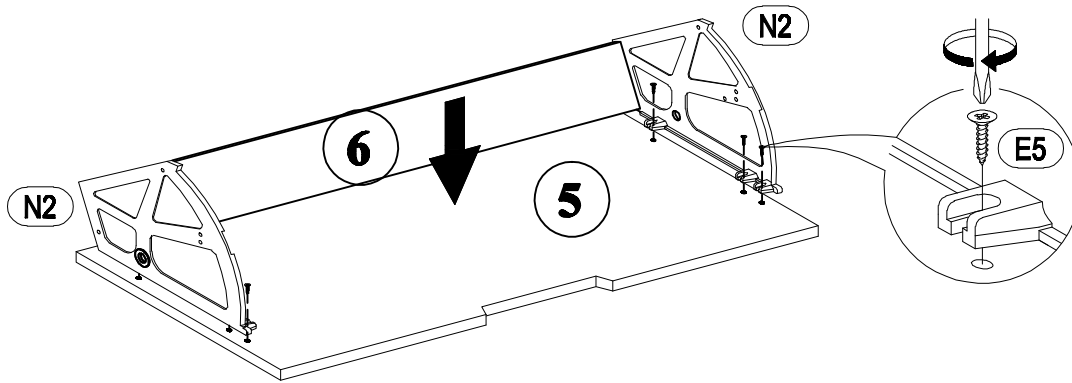
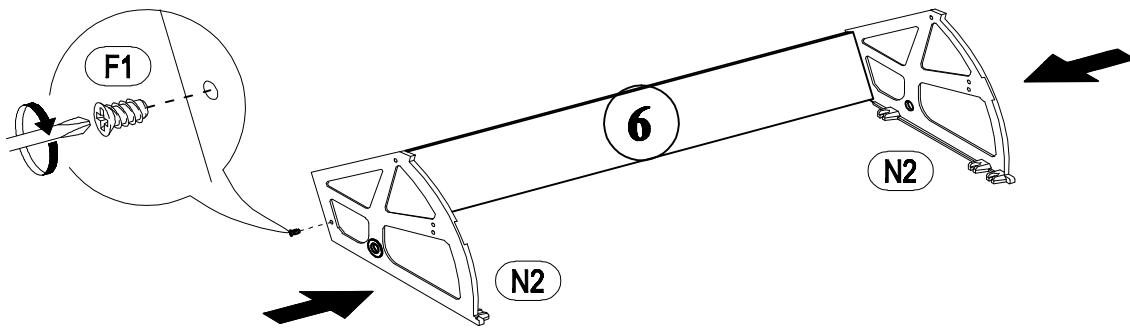
**4**




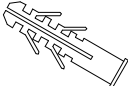
 <b>E5</b> 3,5*16mm <b>x18</b>	 <b>F1</b> 6,3*13mm <b>x12</b>	 <b>N2</b> <b>x3</b>
--	--	---

# 5

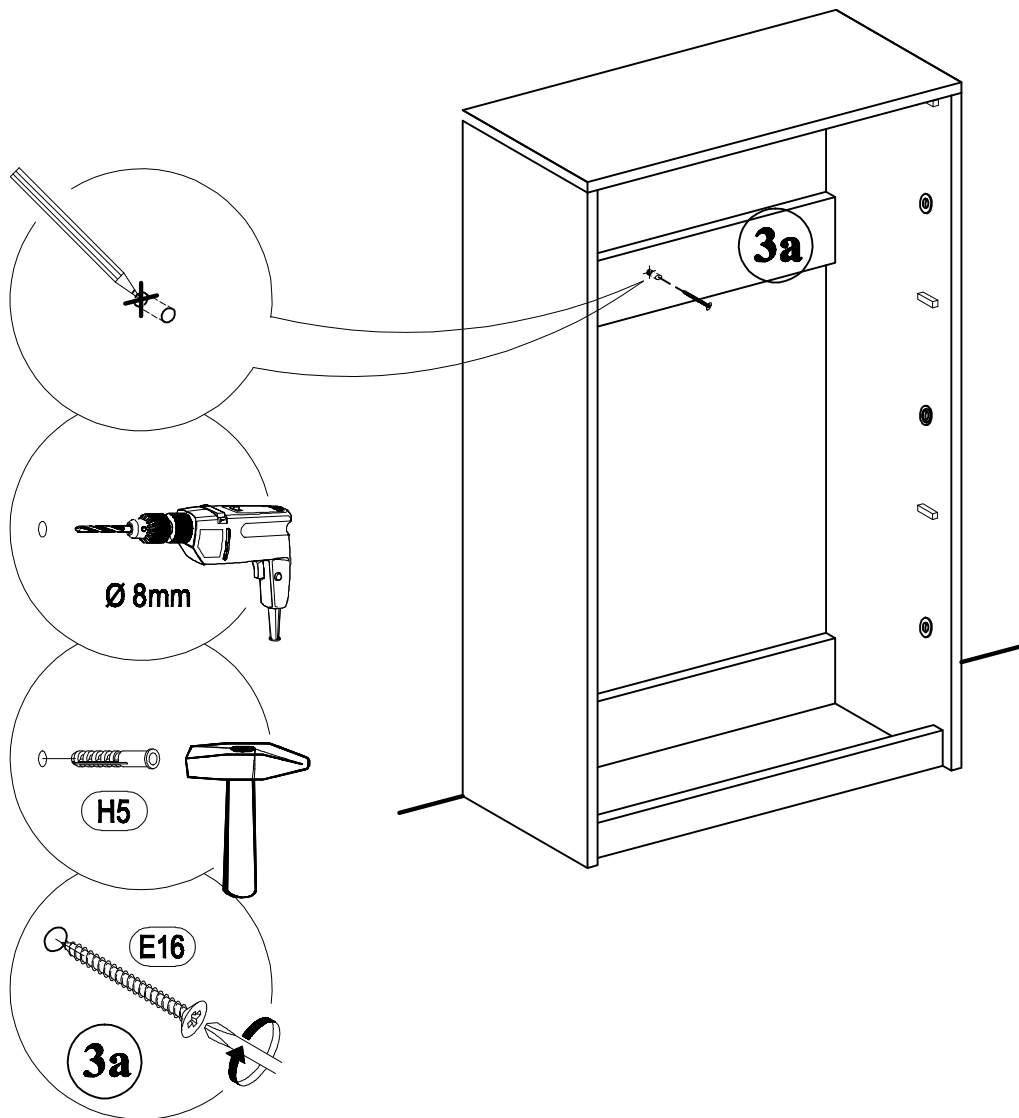
## 5 x3







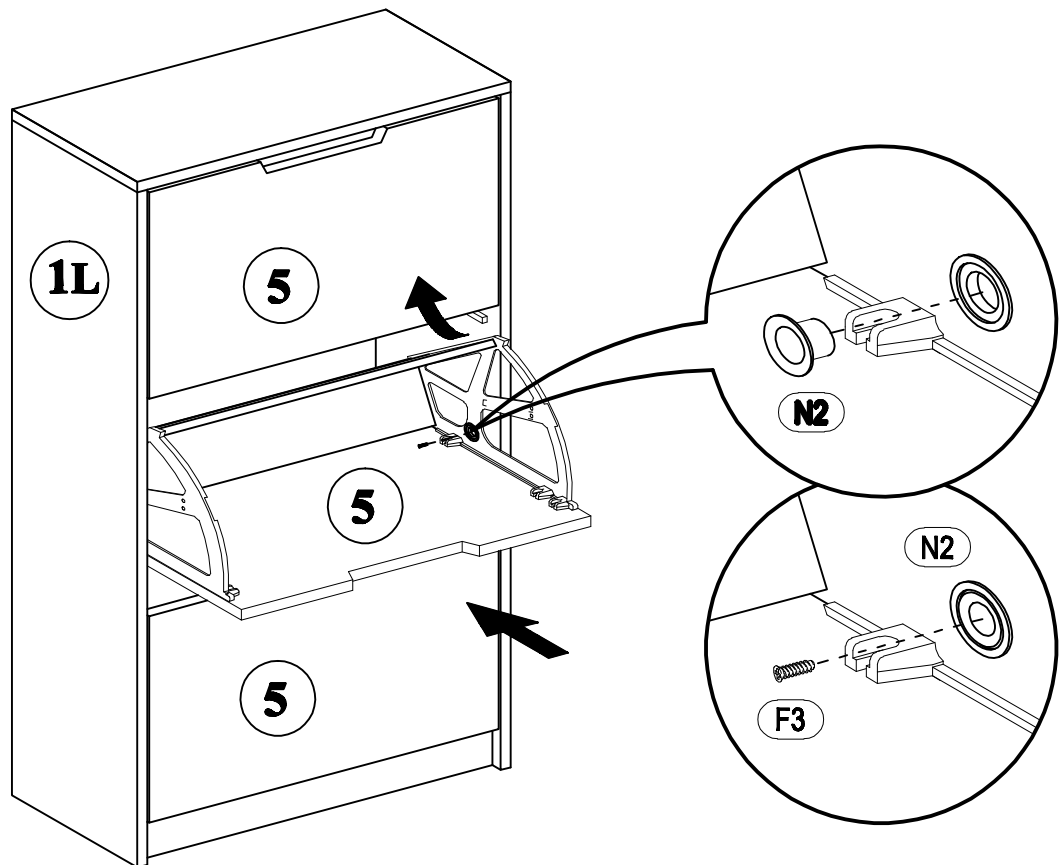
 <b>E16</b> 5*50mm x1	 <b>H5</b> 8*40mm x1
---	---

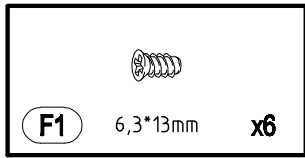
# 6



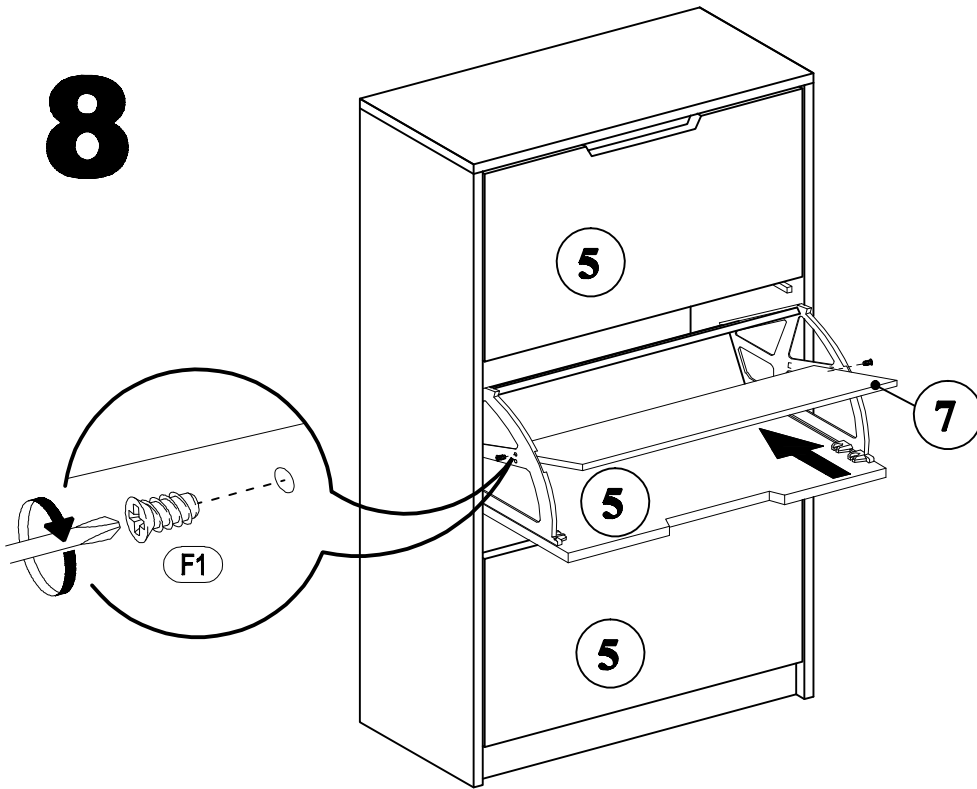
 <b>F3</b> 5,0*13mm x6	 <b>N2</b> x6
--	---

7





8



9

